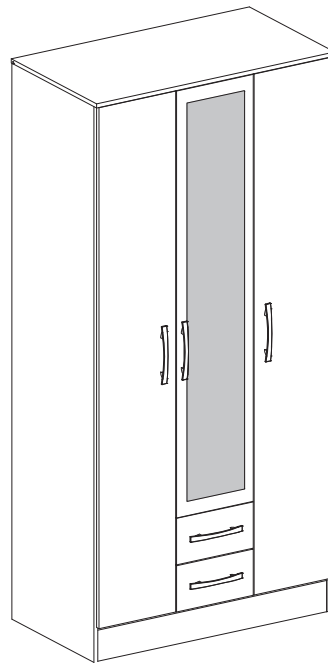




Assembly Instructions

Lynx 3 Door Combination Wardrobe



Important before assembly:

Read these instructions carefully before assembling or using the product.

Please check the contents of the boxes before attempting to assemble this product. The instructions will have a checklist of parts and fittings.

It would be sensible to lay a rug or a carpet on the floor where you intend to assemble the product, to void scratches and damaging the product or the floor.

Assemble the product as close to its intended final location/room as possible.

Do NOT use any power tools as this may damage the frame.

Health & Safety:

This product or some parts of this product will be heavy. Please use an assistant when lifting.

DO NOT jump on the product or any of its parts.

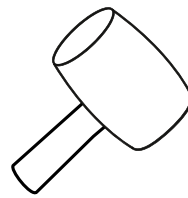
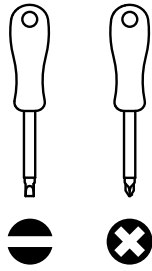
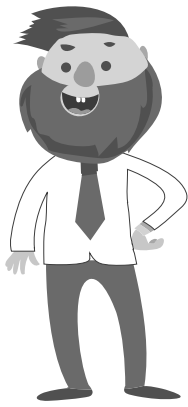
DO NOT use this product if any parts are missing, damaged or worn.

DO NOT use this product unless all fixings are secured.

Please keep small parts out of reach of children.

Always use on a level, even surface.

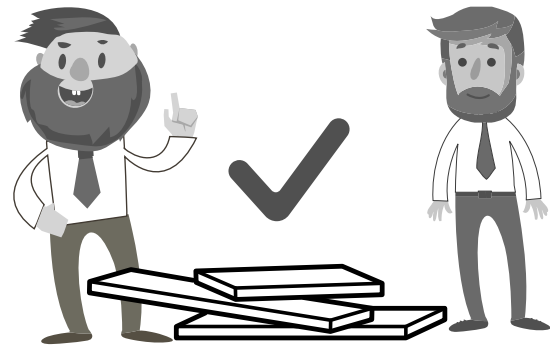
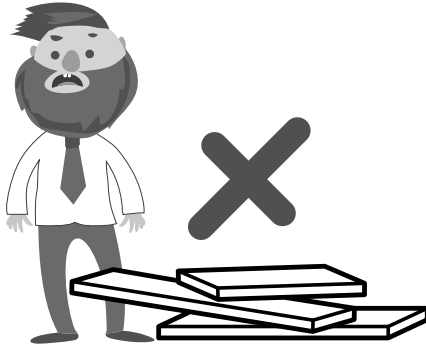
Please keep these instructions for future reference.



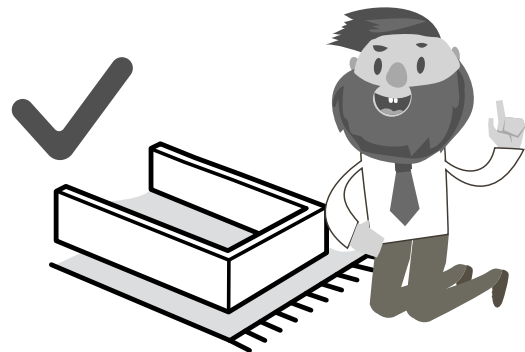
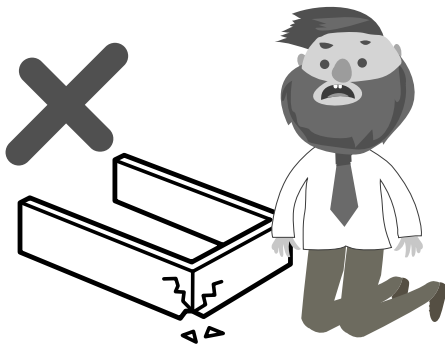
(Not metal)

These tools are not necessary, but may help to assemble certain parts of the product.

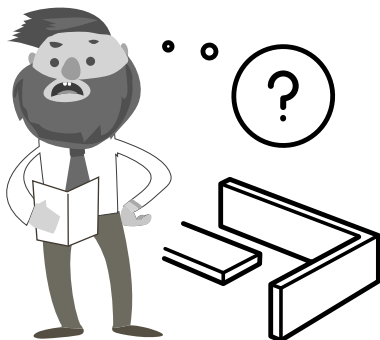
Do NOT use any power tools as this may damage the frame.



This product or some parts of this product will be heavy. Please use an assistant when lifting.

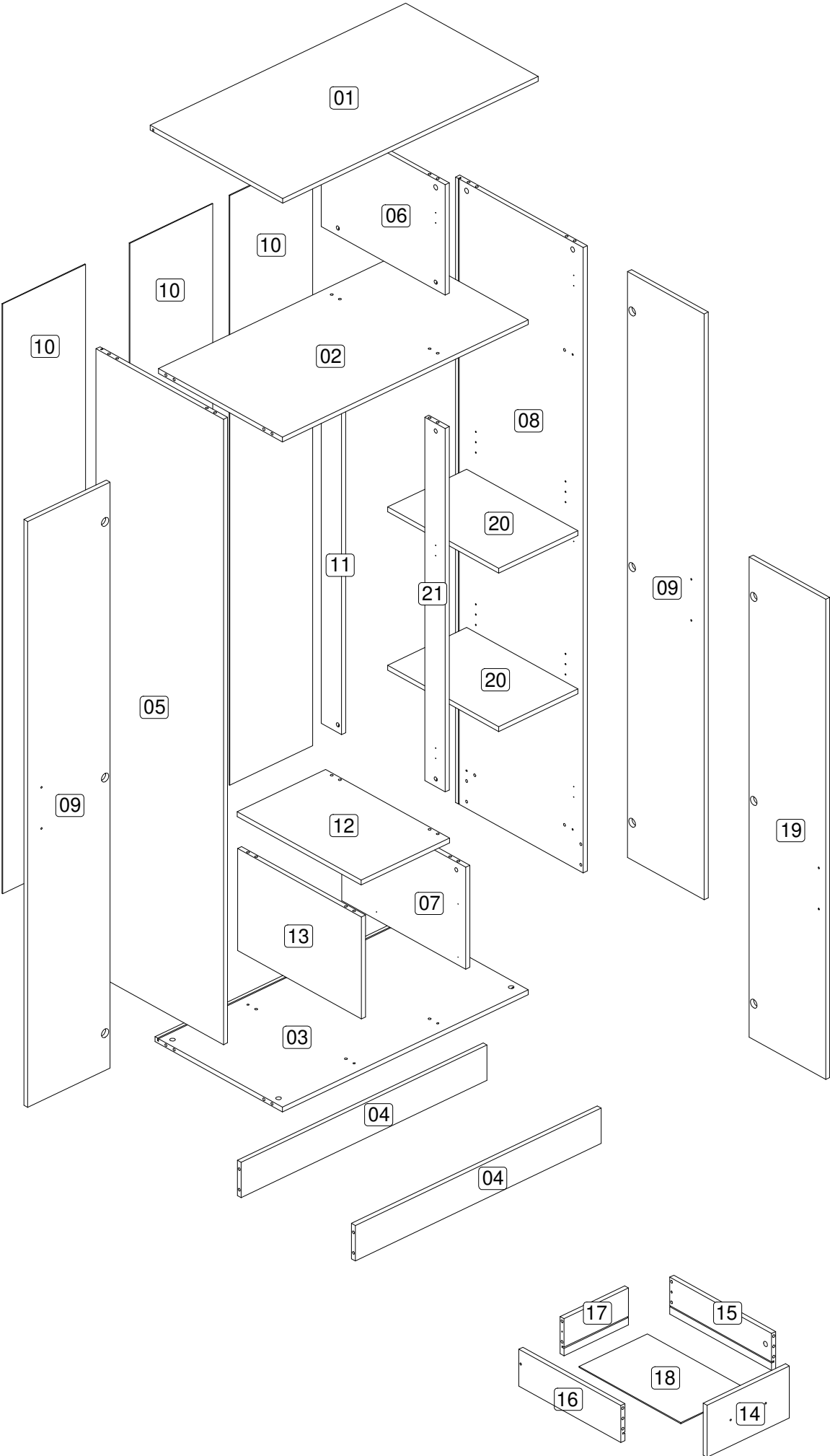








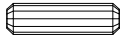




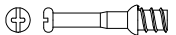



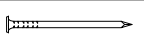
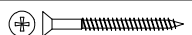
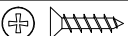

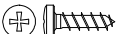
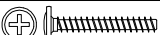

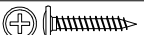
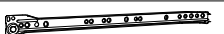
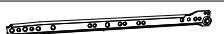




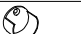
Never drag or push the pieces across a hard or stone floor as this will cause damage to the joints. Use a carpet or a rug for extra care.



If you have problems assembling or have damaged or missing pieces, please contact us by visiting:

<https://www.happybeds.co.uk/customer-service>



Parts List				Identification of Accessories			
Part	Description	Box	Qty	Part	Description		Qty
01	Top Panel	1	1	A	5 x 60 mm Screw		1
02	Shelf	1	1	A1	Glue		1
03	Base Panel	1	1	A6	Spine		1
04	Plinth	2	2	B3	Bushing		1
05	Left Panel	1	1	C1	Metal Claw		7
06	Shelf Divider	1	1	D5	Hinge Bracket		9
07	Drawer Cabinet - Right Panel	1	1	E	8 x 30mm Wooden Dowel		44
08	Right Panel	1	1	E7	Small Plastic Foot		4
09	Door	2	2	E9	Strap		1
10	Back Panel	2	3	F	8 x 50mm Wooden Dowel		4
11	Back Support	2	1	F6	Hinge		9
12	Drawer Cabinet - Top Panel	1	1	J	Simple Minifix Screw		20
13	Drawer Cabinet - Left Panel	1	1	K	Double Minifix Screw		4
14	Drawer Front	1	2	L	Cam Lock		28
15	Right Side Drawer Panel	2	2	M	Plastic Cap		24
16	Left Side Drawer Panel	2	2	N	10 x 10mm Tack		11
17	Back Drawer Panel	2	2	O	4.5 x 45mm Screw		8
18	Drawer Base	1	2	P5	3,5 x 14mm Screw		25
19	Mirroed Door	2	1	R4	Hanging Rail		1
20	Shelf	1	2	S	3.5 x 14mm Screw		37
21	Front Support	2	1	T	3.5 x 25mm Screw		10
				T9	Close Rail Support		1
				V4	3.5 x 20mm Screw		2
				WA	Metallic slide the left field		2
				WB	Metallic slide the right field		2
				WC	Drawer slide left		2
				WD	Drawer slide right		2
				W2	Handles		5
				W8	Metalic Shelf Support		8
				Z4	Rail Support		1

**** You will need a small mallet and a screwdriver for assembly.**

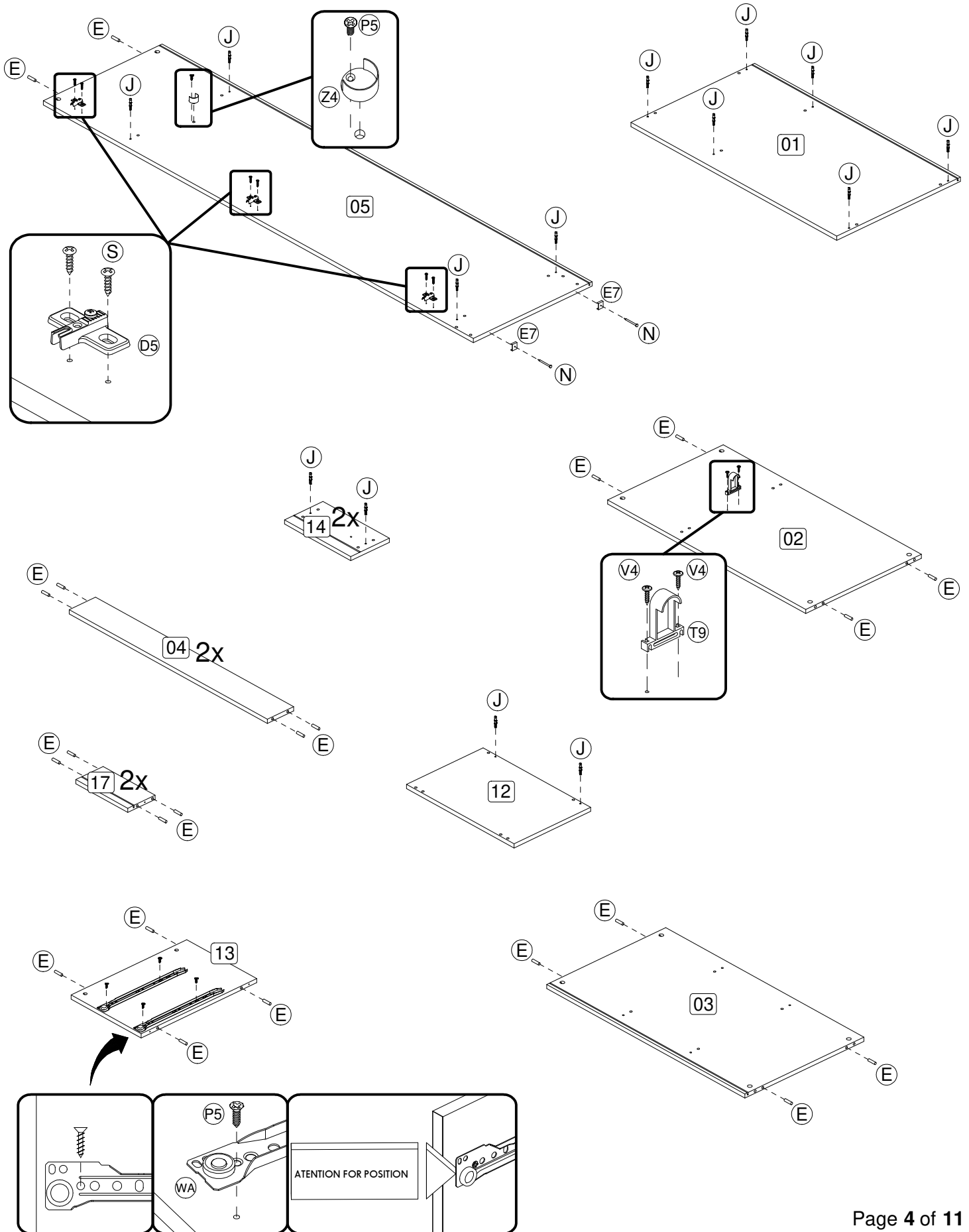
**** Some screws and wooden dowel may remain.**

**** Wall plug and screw is supplied to attach strap to the wall.**



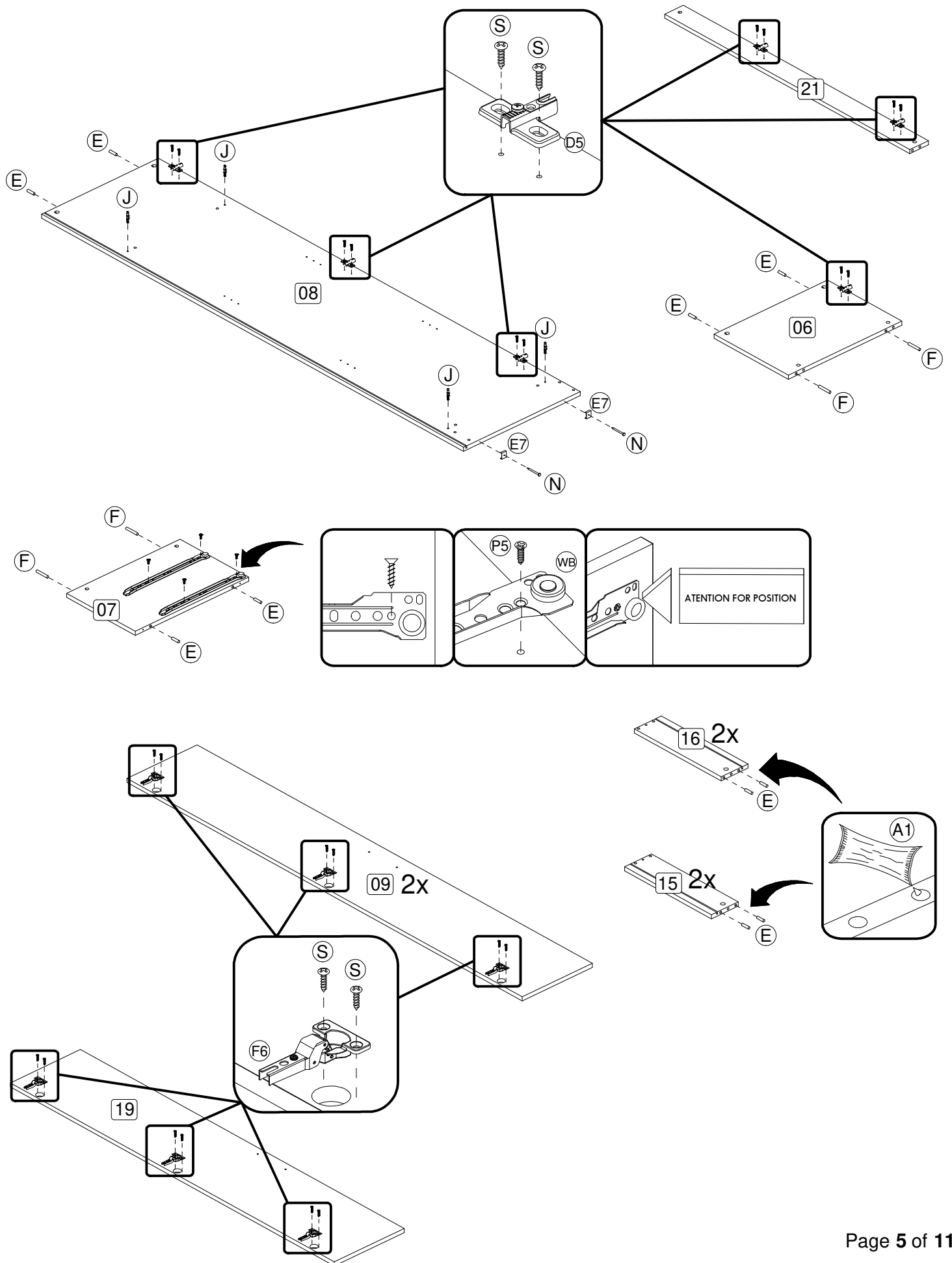
Step 1: Prepare these parts for assembly using hardware parts D5, E, E7, J, N, P5, S, T9, V4, WA and Z4. You will need to use a small mallet and a screwdriver (not provided).

DO NOT use any power tools as this may damage the frame and will invalidate any claim.



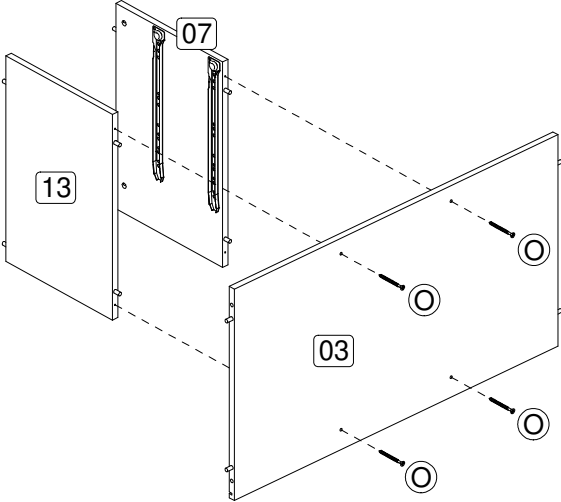
Step 2: Prepare these parts for assembly using hardware parts A1, D5, E, E7, F, F6, J, N, P5, S, and WB. You will need to use a small mallet and a screwdriver (not provided).

DO NOT use any power tools as this may damage the frame and will invalidate any claim.



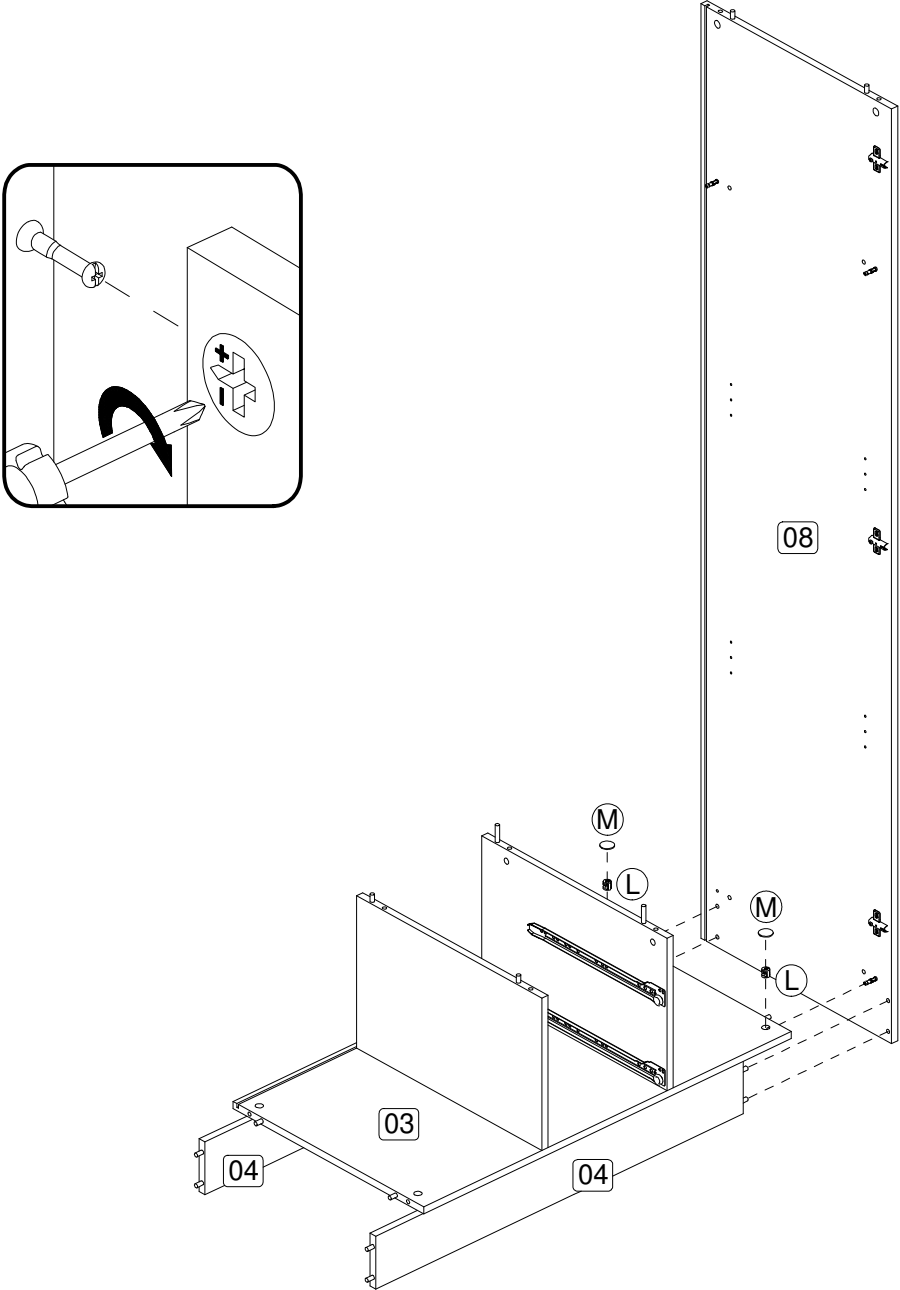
Step 3: Attach the drawer cabinet right panel (7) and drawer cabinet left panel (13) to the base panel (3) using hardware part O and a screwdriver (not provided).

DO NOT use any power tools as this may damage the frame and will invalidate any claim.

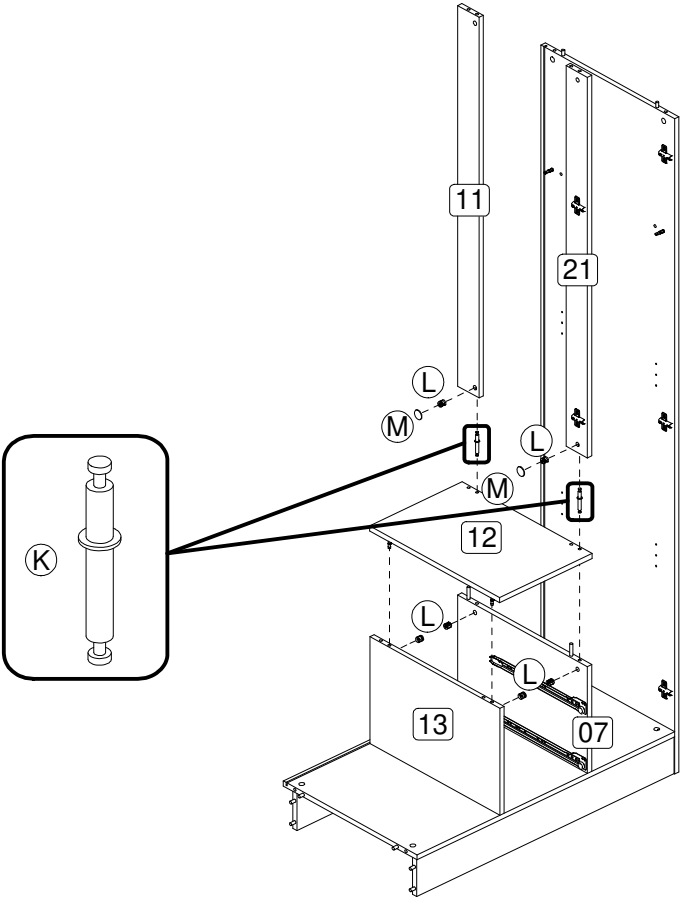


Step 4: Attach the base panel (3) and the plinths (4) to the right panel (8) using hardware parts L and M with a screwdriver (not provided).

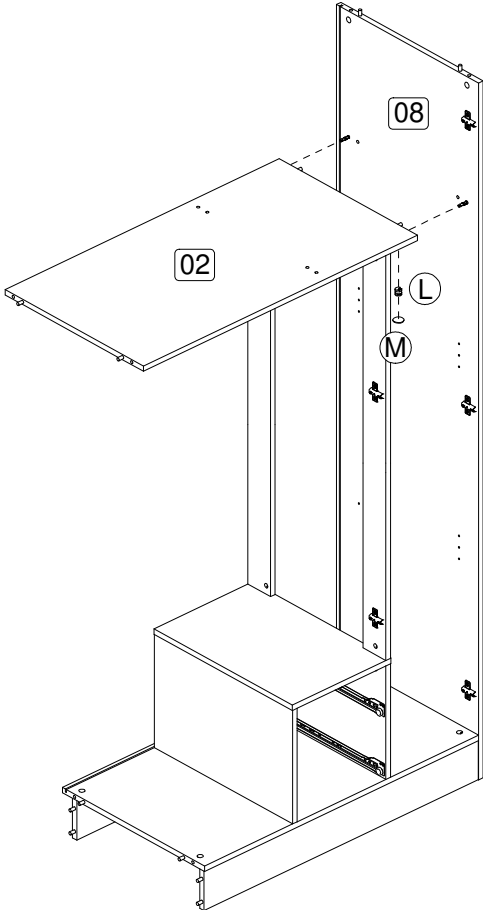
DO NOT use any power tools as this may damage the frame and will invalidate any claim.



Step 5: Attach the drawer cabinet top panel (12) using hardware parts K and L. Attach the front support (21) and back support (11) using hardware parts L and M. You will need to use a screwdriver (not provided). **DO NOT use any power tools as this may damage the frame and will invalidate any claim.**

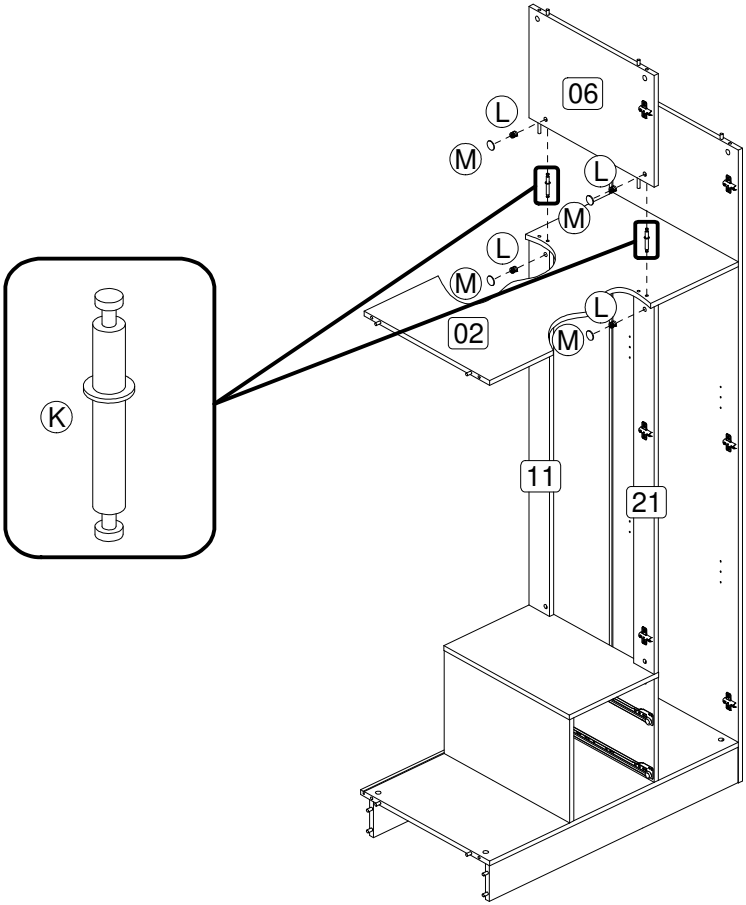


Step 6: Attach the shelf (2) using hardware parts L and M with a screwdriver (not provided). **DO NOT use any power tools as this may damage the frame and will invalidate any claim.**

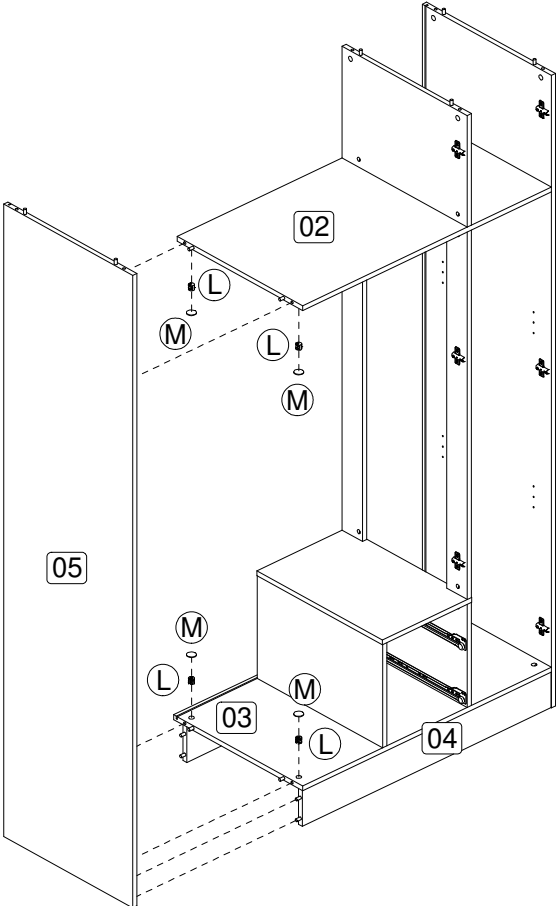


Step 7: Secure the shelf (2) to the back support (11) and front support (21) using hardware parts K, L and M. Fix the shelf divider (6) to the shelf (2) using hardware parts L and M. You will need to use a screwdriver (not provided).

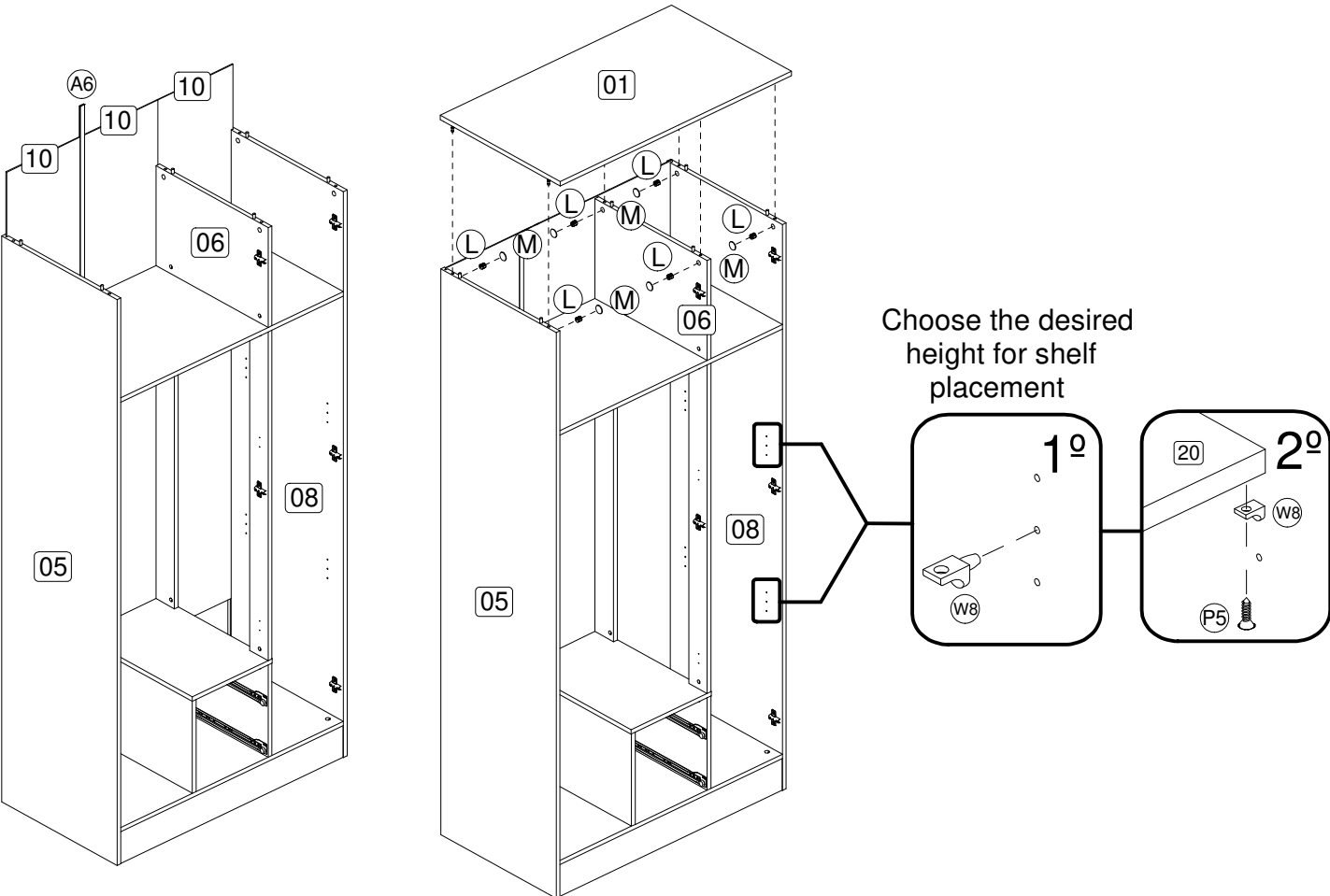
DO NOT use any power tools as this may damage the frame and will invalidate any claim.



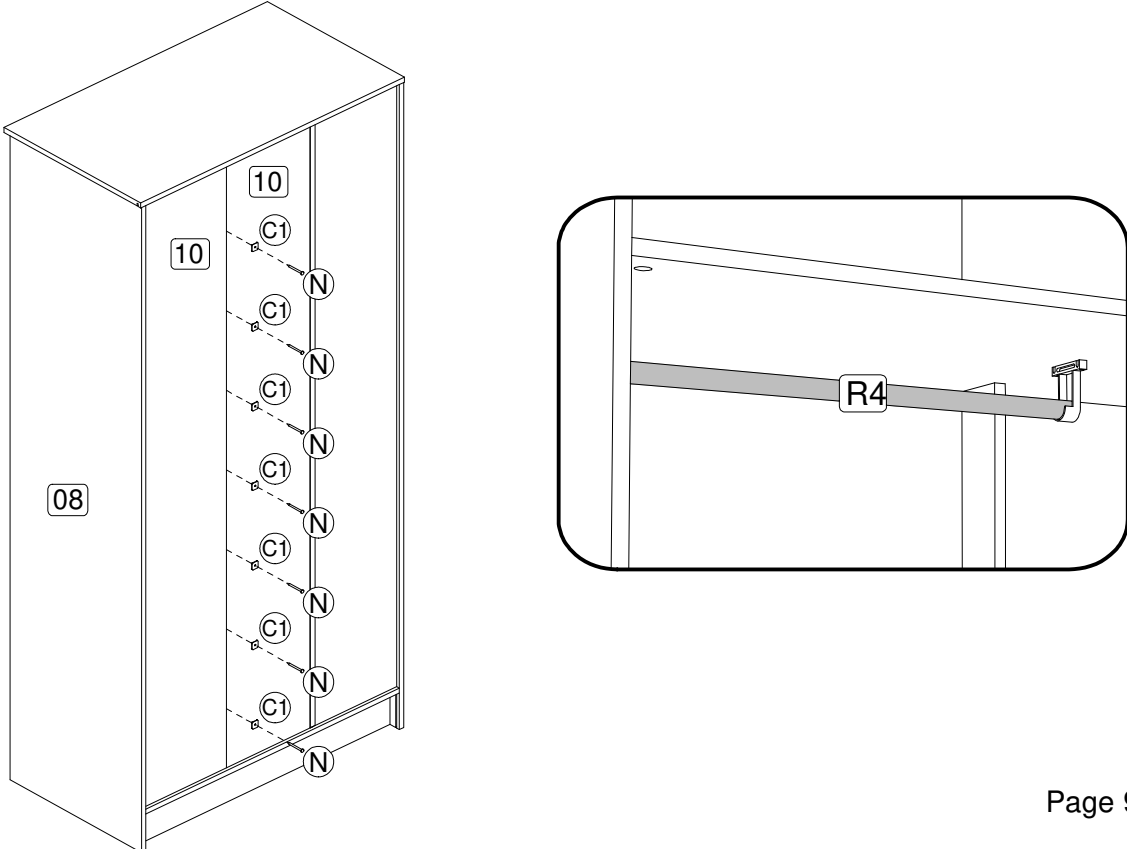
Step 8: Attach the left panel (5) using hardware parts L and M with a screwdriver (not provided). **DO NOT use any power tools as this may damage the frame and will invalidate any claim.**



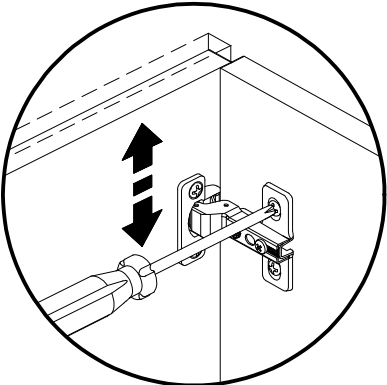
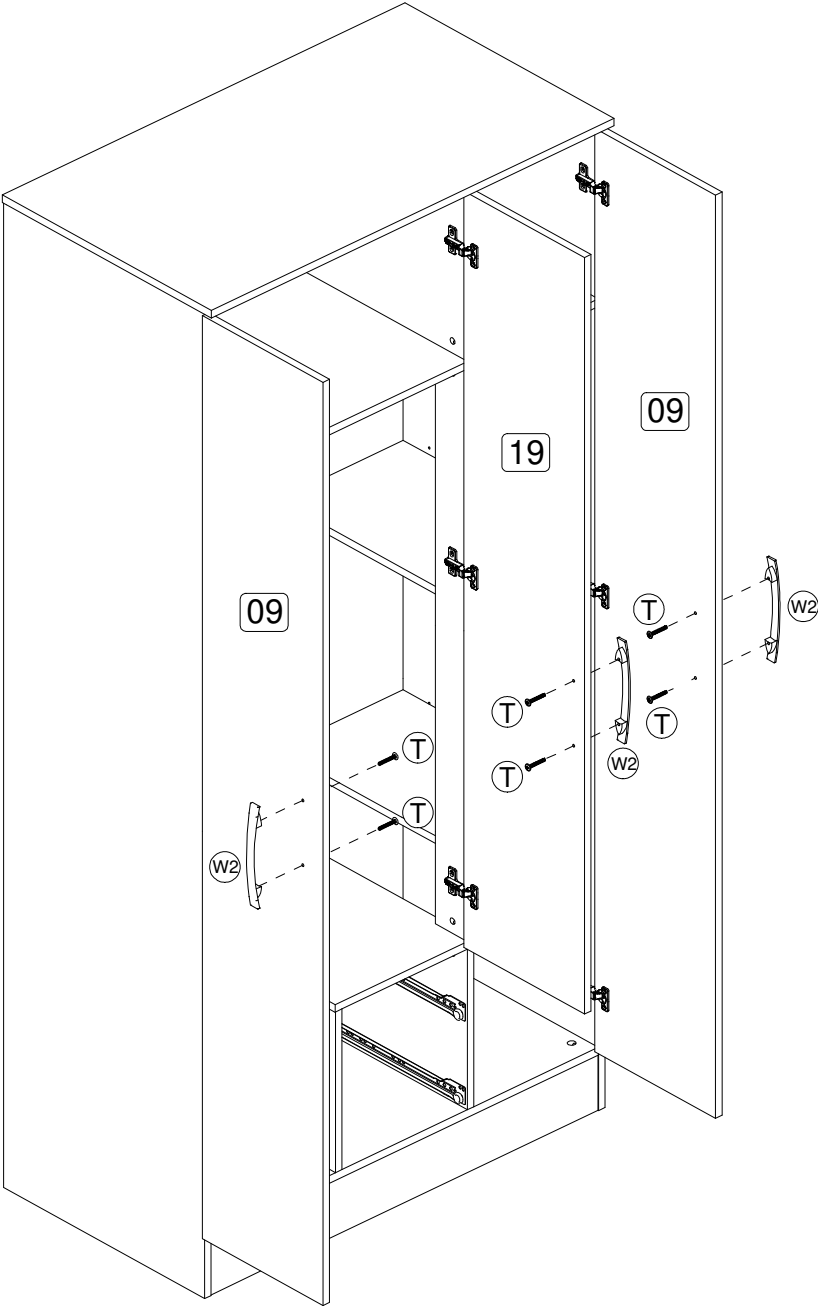
Step 9: Connect two back panels (10) using the spine A6 then position all back panels. Attach the top panel (1) using hardware parts L and M. Insert the shelves (20) using hardware parts P5 and W8. **DO NOT use any power tools as this may damage the frame and will invalidate any claim.**



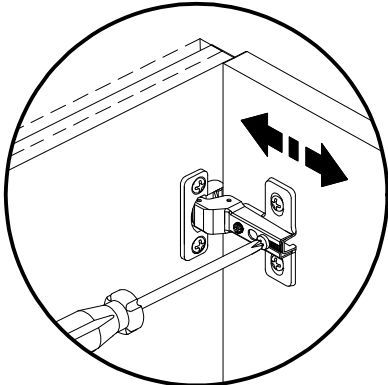
Step 10: Secure the back panels (10) using hardware parts C1 and N with a small mallet (not provided) then position the hanging rail R4. **DO NOT use any power tools as this may damage the frame and will invalidate any claim.**



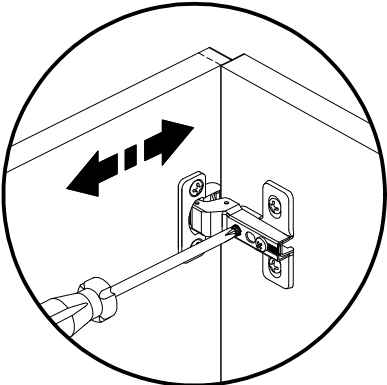
Step 11: Attach the doors (9) and the mirrored door (19) then attach the handles W2 using hardware part T. You will need to use a screwdriver (not provided). **DO NOT use any power tools as this may damage the frame and will invalidate any claim.**



Vertical Adjustment



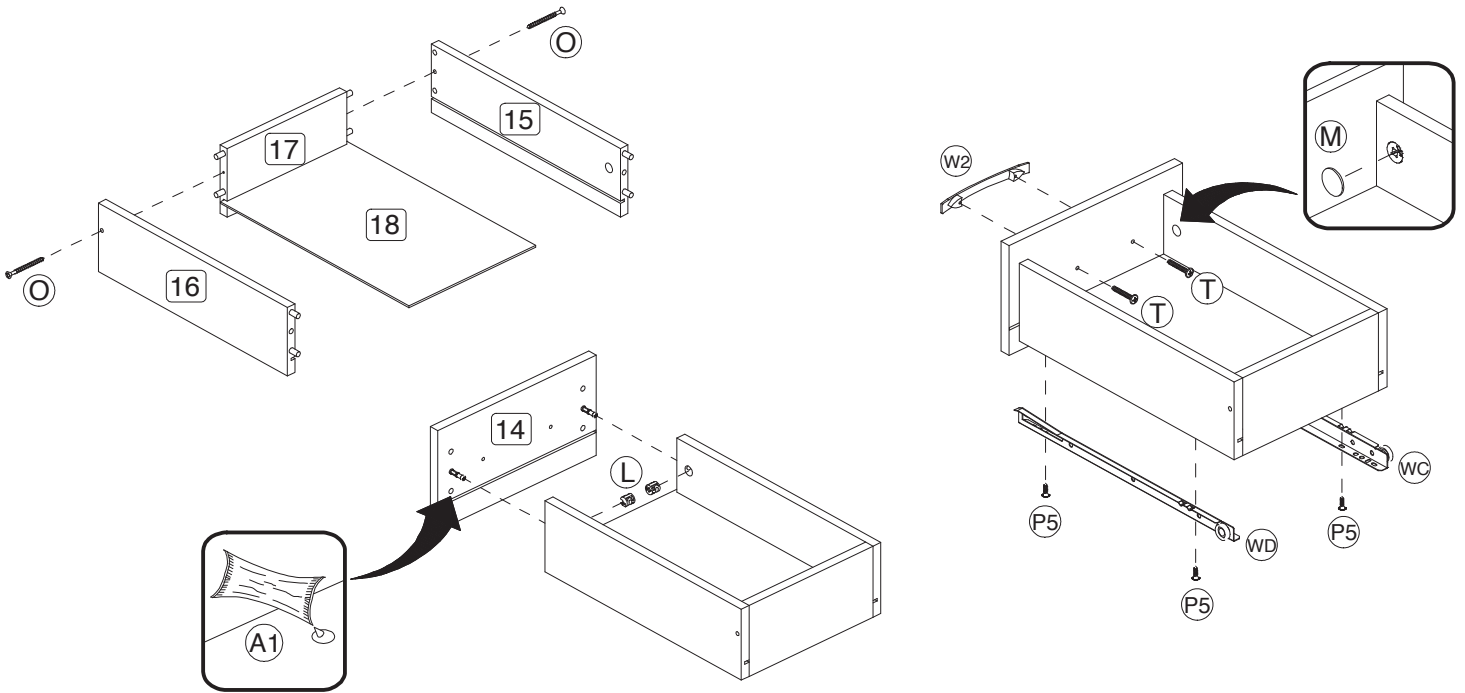
Depth Adjustment



Horizontal Adjustment

Step 12: Assemble the drawer components using hardware parts A1, L, M, O, P5, W2, WC and WD with a screwdriver (not provided).

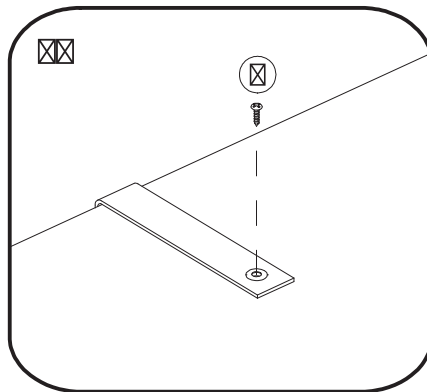
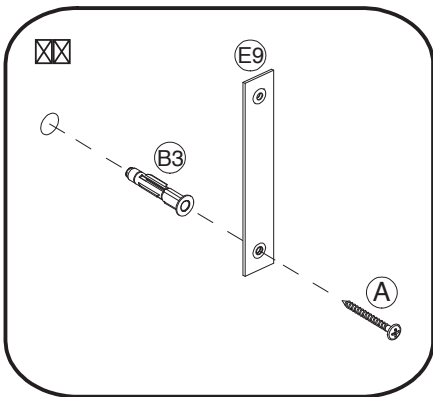
DO NOT use any power tools as this may damage the frame and will invalidate any claim.



Step 13: To secure the item to the wall use hardware parts A, B3 and E9 using a screwdriver (not provided). Then attach hardware part S to the item with a screwdriver (not provided).

DO NOT use any power tools as this may damage the frame and will invalidate any claim.

Birlea Furniture advise you use the wall straps provided to further enhance the safety of this product.



Please dispose of all packaging safely.

General Care & Maintenance

Wipe clean with a slightly damp cloth.
Avoid the use of all household cleaners and abrasives.

Periodically check all screw & fixings to ensure they are secure.
When moving your product, carefully lift into place. Never drag or push the pieces across the floor as this will cause damage to the joints and could result in failure to the product that will invalidate the warranty.

For more information on cleaning and product care visit:
<https://www.happybeds.co.uk/help-and-advice>

Notes

We've tried to make this product as easy to assemble as possible. In the unlikely event that you have problems putting it together or have damaged or missing pieces, please contact us by visiting:

<https://www.happybeds.co.uk/customer-service>



www.happybeds.co.uk

