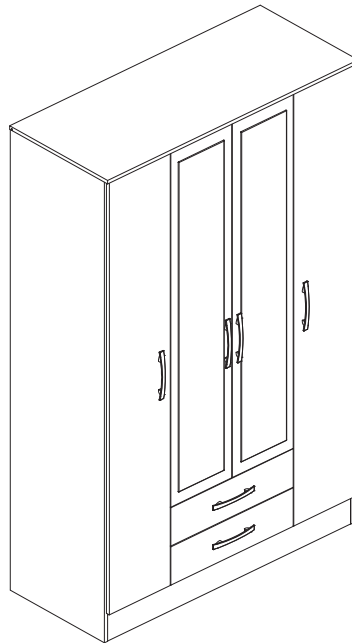




Assembly Instructions

Lynx 4 Door Combination Wardrobe



Important before assembly:

Read these instructions carefully before assembling or using the product.

Please check the contents of the boxes before attempting to assemble this product. The instructions will have a checklist of parts and fittings.

It would be sensible to lay a rug or a carpet on the floor where you intend to assemble the product, to void scratches and damaging the product or the floor.

Assemble the product as close to its intended final location/room as possible.

Do NOT use any power tools as this may damage the frame.

Health & Safety:

This product or some parts of this product will be heavy. Please use an assistant when lifting.

DO NOT jump on the product or any of its parts.

DO NOT use this product if any parts are missing, damaged or worn.

DO NOT use this product unless all fixings are secured.

Please keep small parts out of reach of children.

Always use on a level, even surface.

Please keep these instructions for future reference.



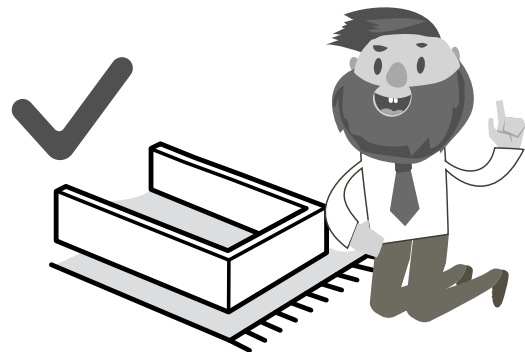
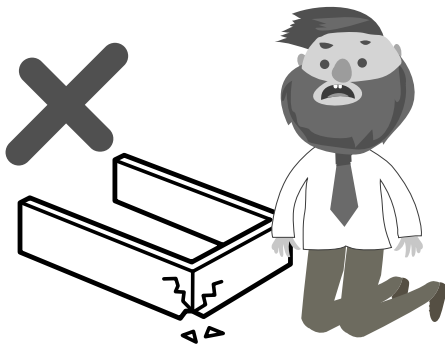
(Not metal)

These tools are not necessary, but may help to assemble certain parts of the product.

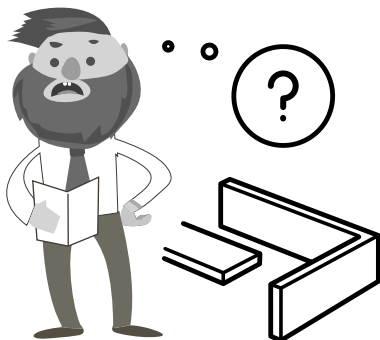
Do NOT use any power tools as this may damage the frame.



This product or some parts of this product will be heavy. Please use an assistant when lifting.

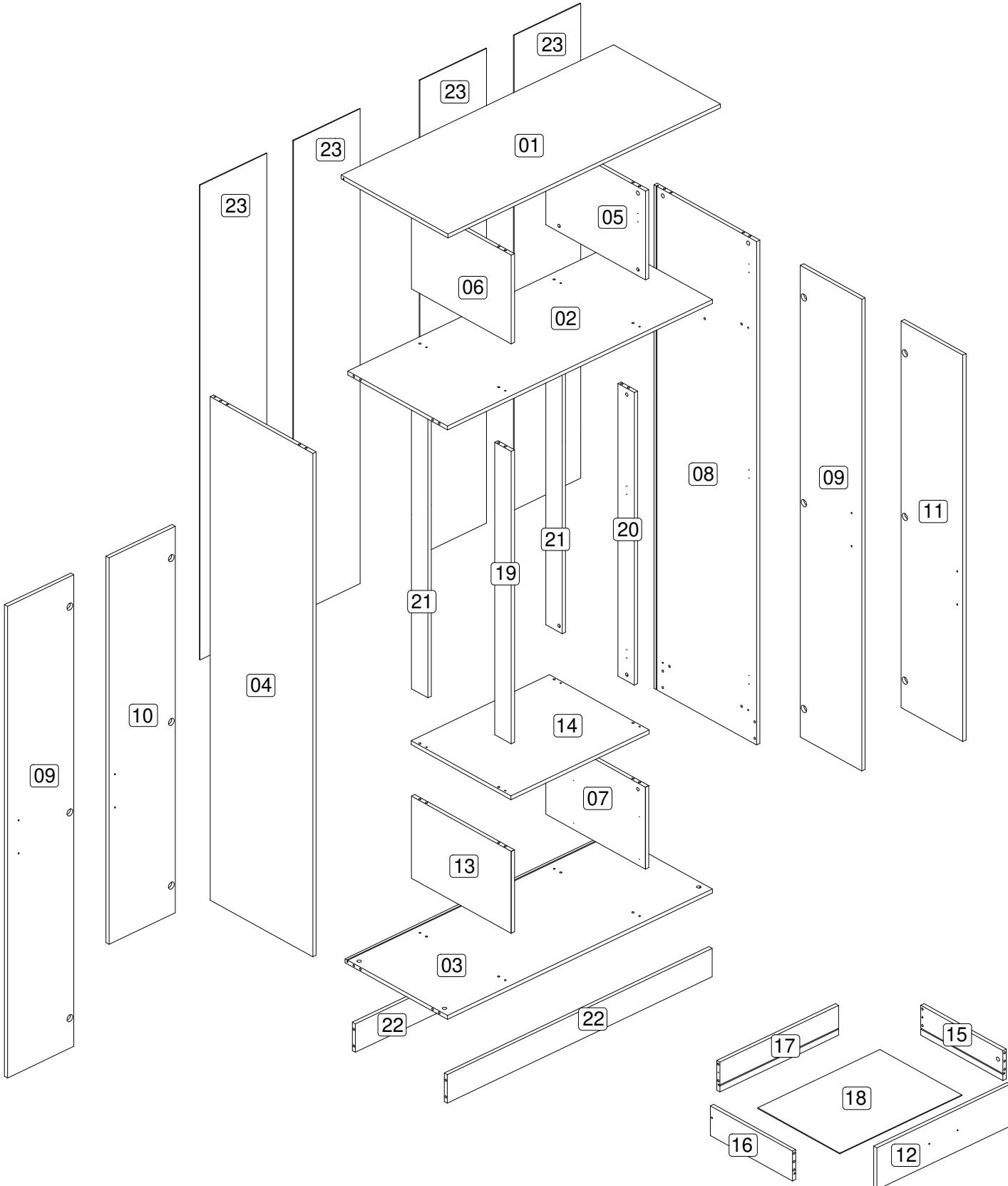





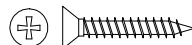
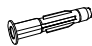
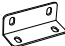





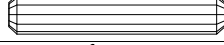

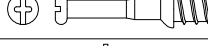




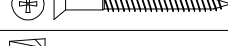


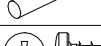

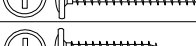

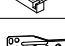
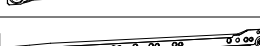



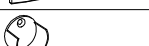
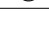
Never drag or push the pieces across a hard or stone floor as this will cause damage to the joints. Use a carpet or a rug for extra care.



If you have problems assembling or have damaged or missing pieces, please contact us by visiting:

<https://www.happybeds.co.uk/customer-service>

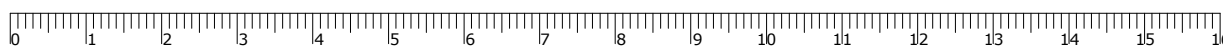


| Parts List | | | | Identification of Accessories | | |
|------------|------------------------------|-----|-----|-------------------------------|--|-----|
| Part | Description | Box | Qty | Part | Description | Qty |
| 01 | Top Panel | 1 | 1 | A | 5 x 60 mm Screw  | 1 |
| 02 | Shelf | 1 | 1 | A1 | Glue  | 1 |
| 03 | Base Panel | 1 | 1 | A6 | Spine  | 1 |
| 04 | Left Panel | 2 | 1 | A8 | 3.5*20mm Screw  | 12 |
| 05 | Right Shelf Divider | 1 | 1 | B3 | Bushing  | 1 |
| 06 | Left Shelf Divider | 1 | 1 | B5 | Metalic Angle Plates  | 4 |
| 07 | Drawer Cabinet - Right Panel | 1 | 1 | C1 | Metal Claw  | 14 |
| 08 | Right Panel | 2 | 1 | D5 | Hinge Bracket  | 12 |
| 09 | Door | 3 | 2 | E | 8 x 30mm Wooden Dowel  | 44 |
| 10 | Left Mirrored Door | 3 | 1 | E7 | Small Plastic Foot  | 6 |
| 11 | Right Mirrored Door | 3 | 1 | E9 | Strap  | 1 |
| 12 | Drawer Front | 1 | 2 | F | 8 x 50mm Wooden Dowel  | 8 |
| 13 | Drawer Cabinet - Left Panel | 1 | 1 | F6 | Hinge  | 12 |
| 14 | Drawer Cabinet - Top Panel | 1 | 1 | J | Simple Minifix Screw  | 20 |
| 15 | Right Side Drawer Panel | 1 | 2 | K | Double Minifix Screw  | 8 |
| 16 | Left Side Drawer Panel | 1 | 2 | L | Cam Lock  | 36 |
| 17 | Back Drawer Panel | 1 | 2 | M | Plastic Cap  | 32 |
| 18 | Drawer Base | 1 | 2 | N | 10 x 10mm Tack  | 20 |
| 19 | Left Front Support | 1 | 1 | O | 4.5 x 45mm Screw  | 8 |
| 20 | Right Front Support | 1 | 1 | o1 | Triangle Suport  | 12 |
| 21 | Back Supports | 1 | 2 | P5 | 3,5 x 14mm Screw  | 18 |
| 22 | Plinths | 1 | 2 | R4 | Hanging Rail  | 1 |
| 23 | Back Panel | 2 | 4 | S | 3.5 x 14mm Screw  | 65 |
| | | | | T | 3.5 x 25mm Screw  | 12 |
| | | | | V4 | 3.5 x 20mm Screw  | 4 |
| | | | | V5 | Open Rail Support  | 2 |
| | | | | WA | Metallic slide the left field  | 2 |
| | | | | WB | Metallic slide the right field  | 2 |
| | | | | WC | Drawer slide left  | 2 |
| | | | | WD | Drawer slide right  | 2 |
| | | | | W2 | Handles  | 6 |
| | | | | Z4 | Rail Support  | 2 |

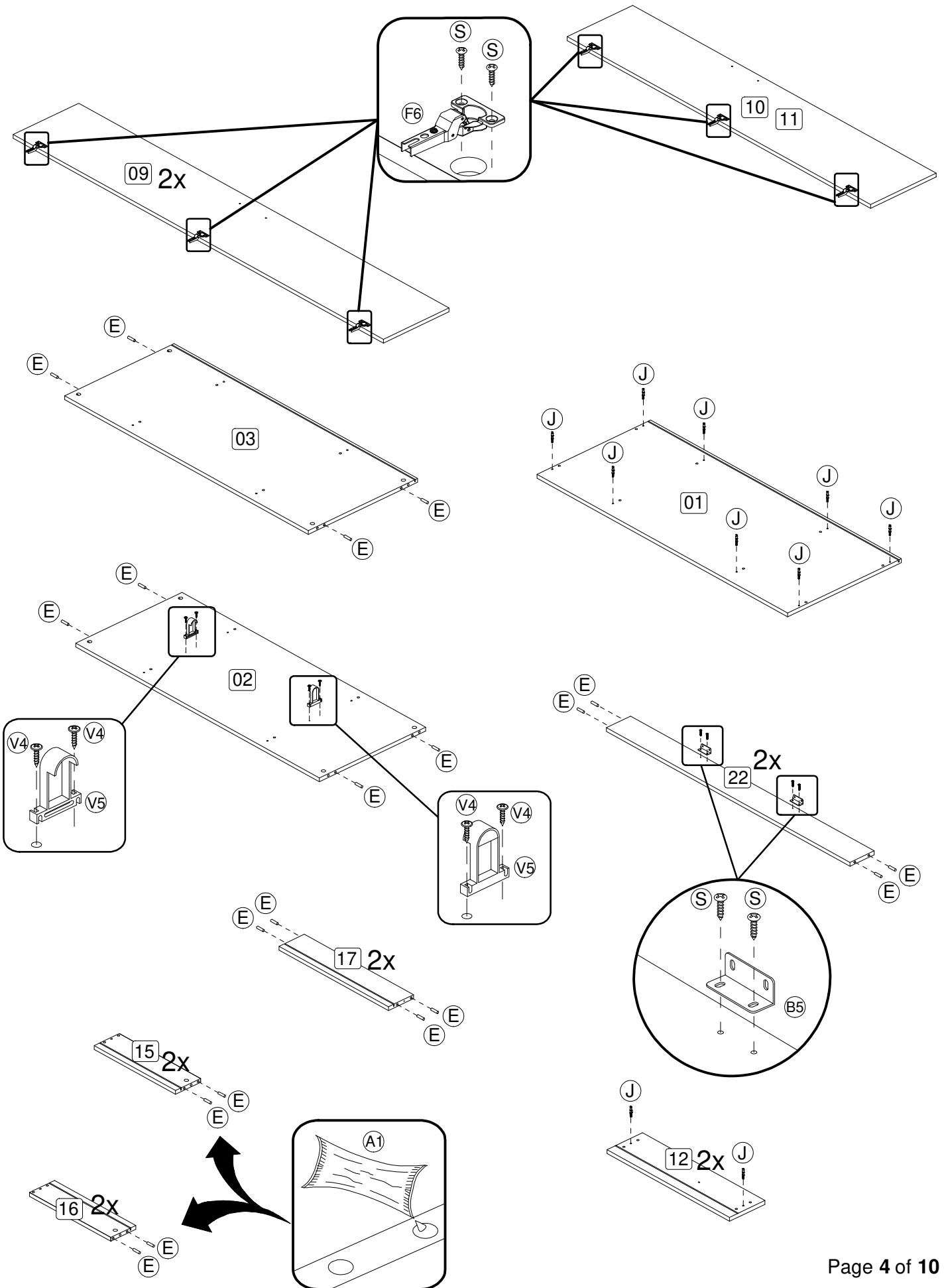
**** You will need a small mallet and a screwdriver for assembly.**

**** Some screws and wooden dowel may remain.**

**** Wall plug and screw is supplied to attach strap to the wall.**

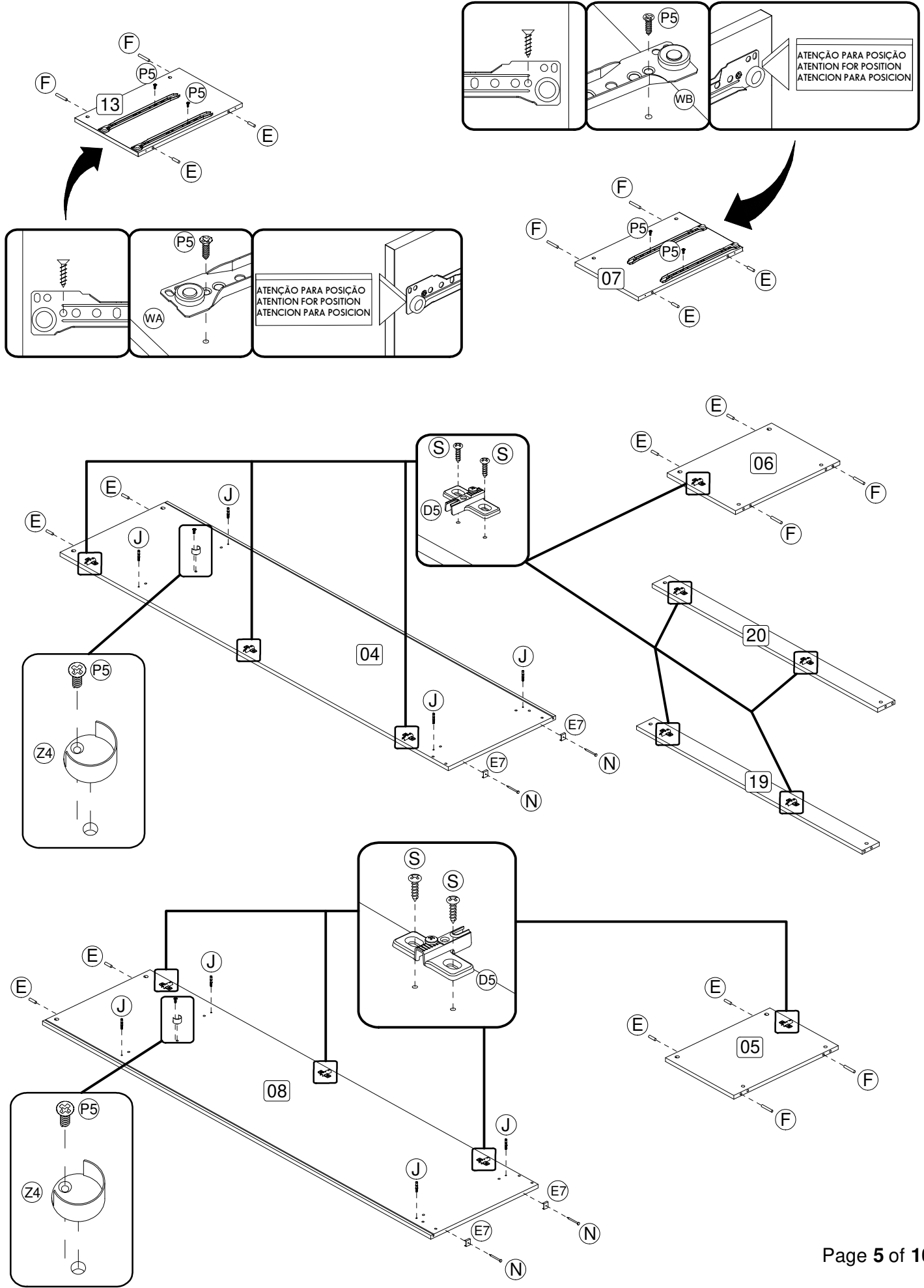


Step 1: Prepare these parts for assembly using hardware parts B5, E, F6, J, S, V4 and V5. You will need to use a small mallet and a screwdriver (not provided). **DO NOT use any power tools as this may damage the frame and will invalidate any claim.**



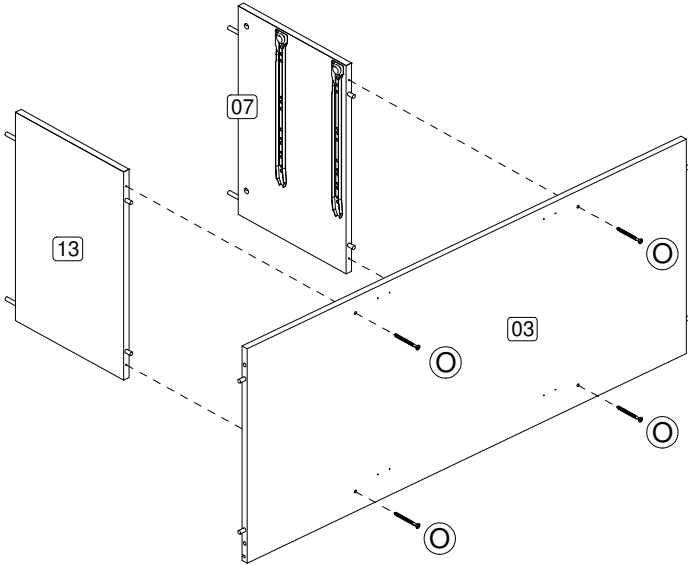
Step 1: Prepare these parts for assembly using hardware parts D5, E, E7, F, J, N, P5, S, WA, WB and Z4. You will need to use a small mallet and a screwdriver (not provided).

DO NOT use any power tools as this may damage the frame and will invalidate any claim.



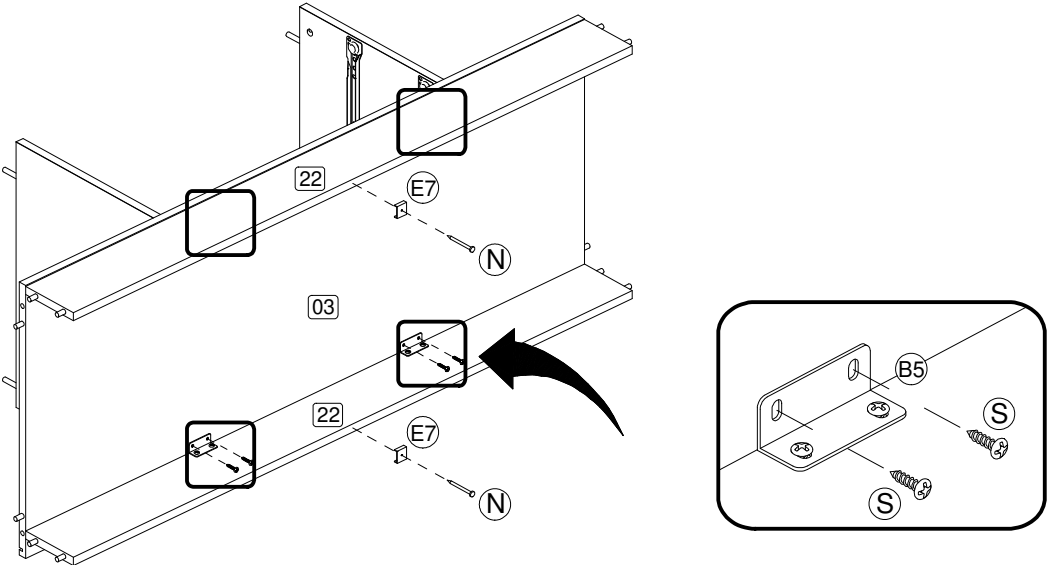
Step 2: Attach the drawer cabinet right panel (7) and darwer cabinet left panel (13) to the base panel (3) using hardware part O and a screwdriver (not provided).

DO NOT use any power tools as this may damage the frame and will invalidate any claim.



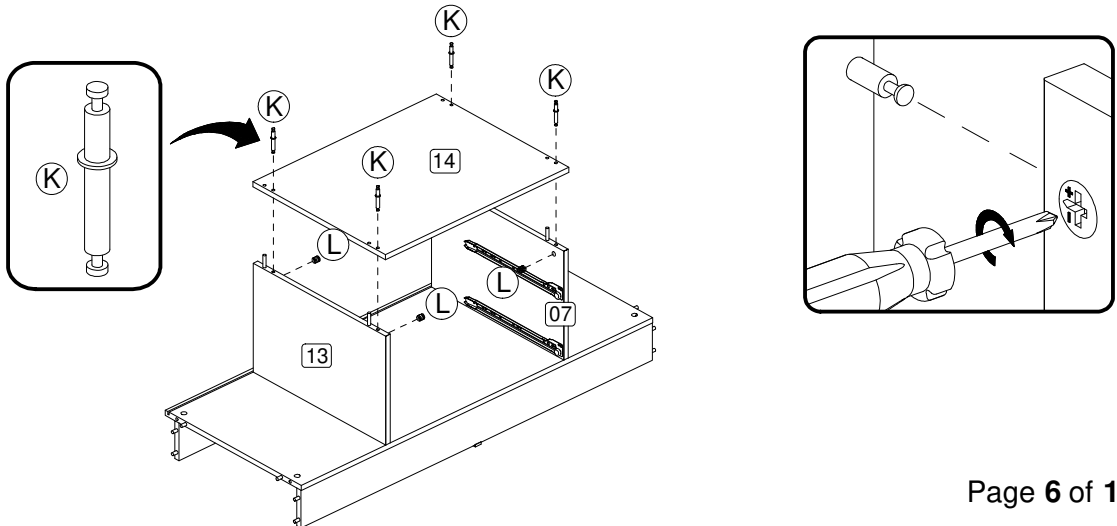
Step 3: Attach the plinths (22) to the base panel (3) using hardware parts B5 and S with a screwdriver (not provided). Fix hardware part E7 to the base using hardware part N and a small mallet (not provided).

DO NOT use any power tools as this may damage the frame and will invalidate any claim.

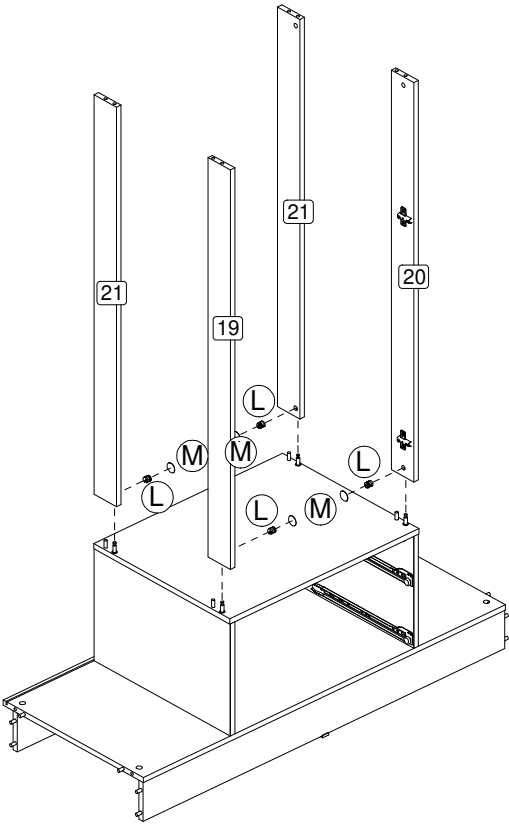


Step 4: Attach the drawer cabinet top panel (14) using hardware parts K and L with a screwdriver (not provided).

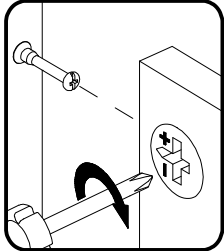
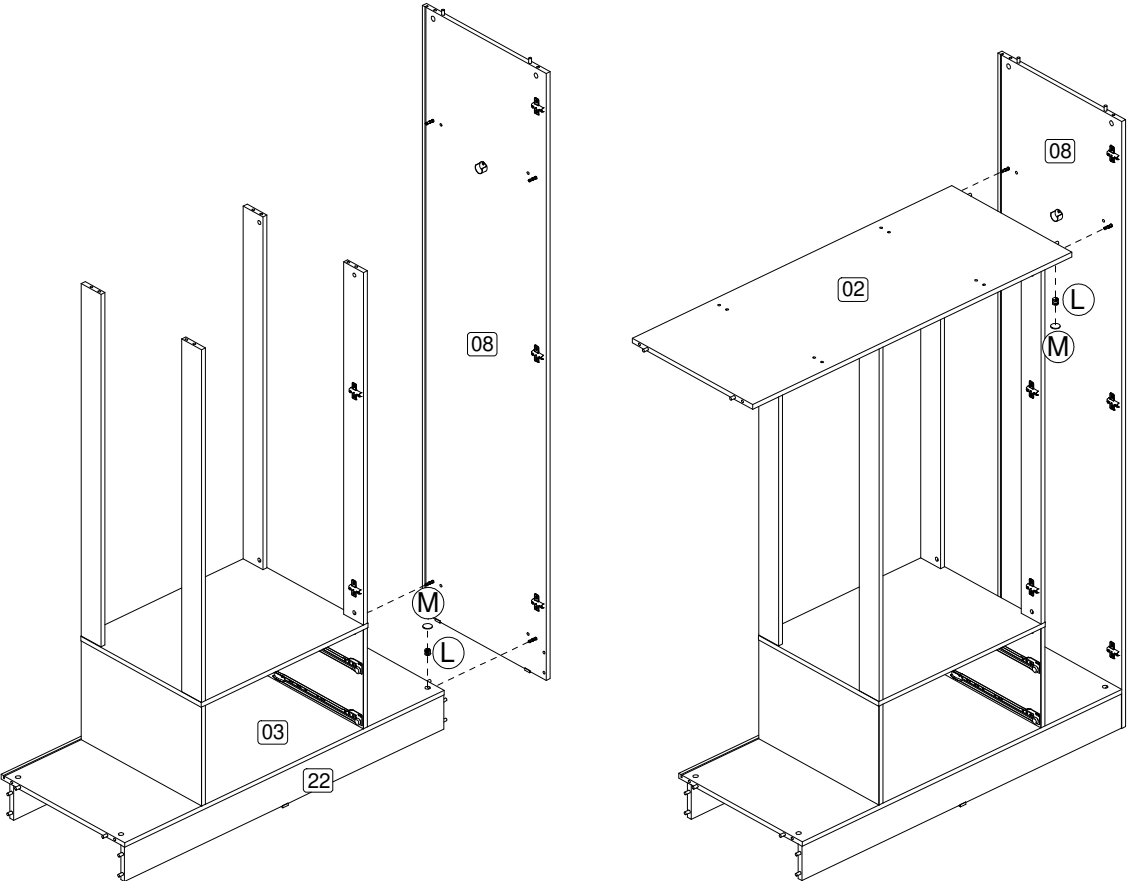
DO NOT use any power tools as this may damage the frame and will invalidate any claim.



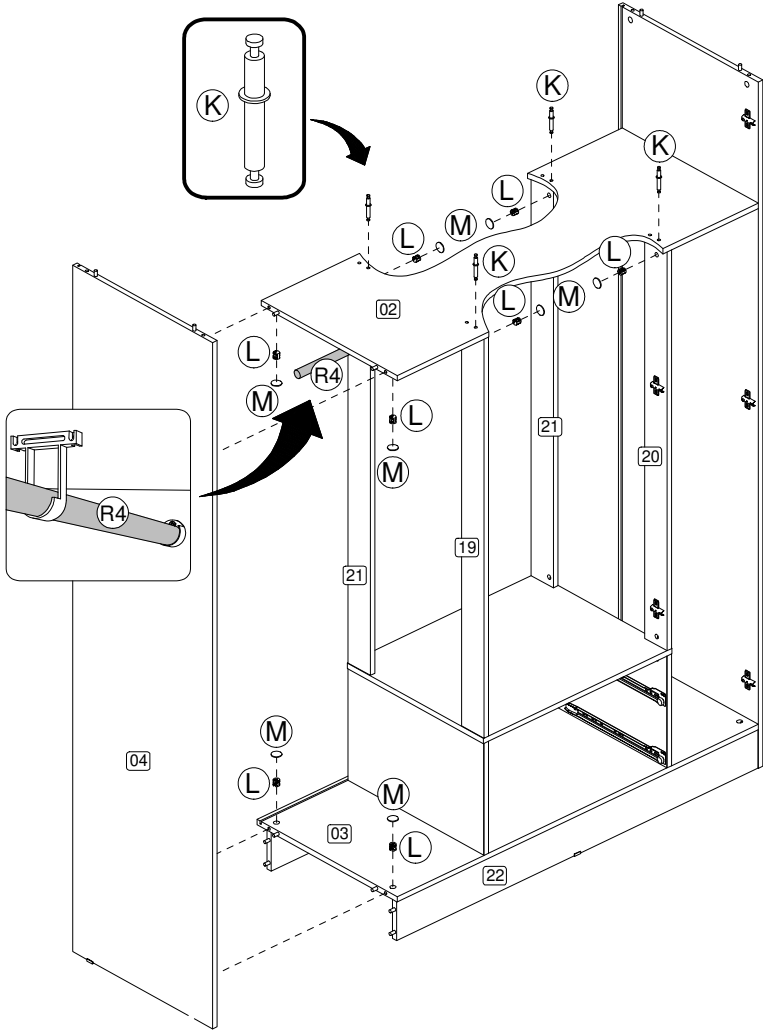
Step 5: Attach the supports using hardware parts L and M with a screwdriver (not provided).
DO NOT use any power tools as this may damage the frame and will invalidate any claim.



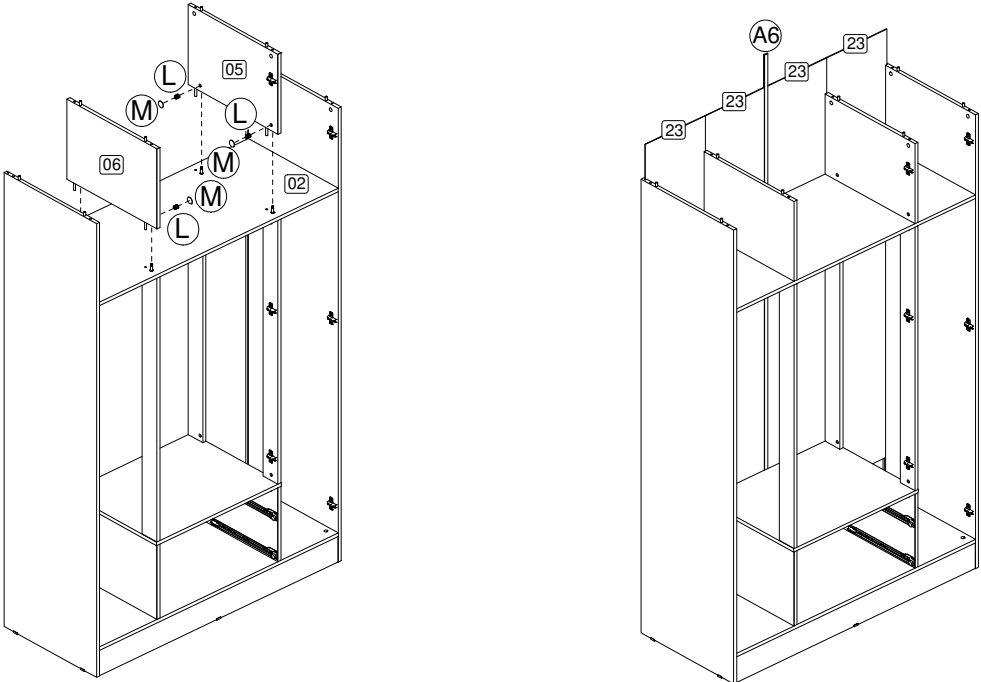
Step 6: Attach the right panel (8) and shelf (2) using hardware parts L and M and a screwdriver (not provided).
DO NOT use any power tools as this may damage the frame and will invalidate any claim.



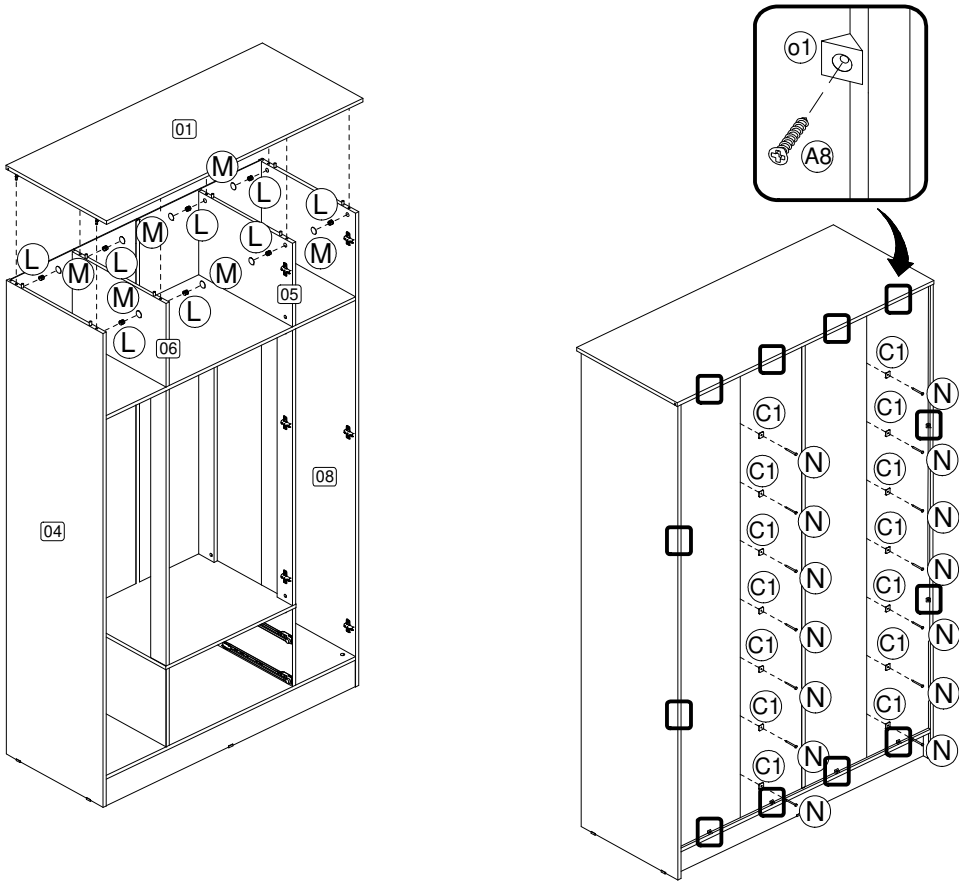
Step 7: Secure the shelf (2) to the supports using hardware parts L, M and K. Position the hanging rain (R4). Attach the left panel (4) using hardware parts L and M. You will need to use a screwdriver (not provided). **DO NOT use any power tools as this may damage the frame and will invalidate any claim.**



Step 8: Attach the shelf dividers using hardware parts L and M with a screwdriver (not provided). Connect two back panels (23) together with the spine (A6) and position. **DO NOT use any power tools as this may damage the frame and will invalidate any claim.**

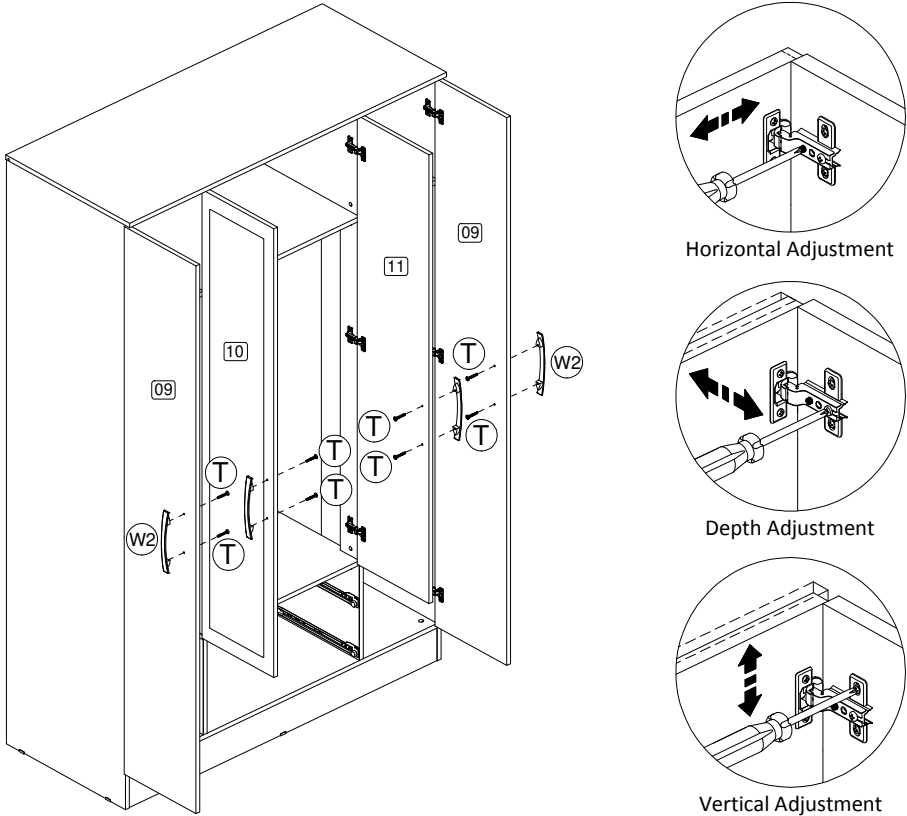


Step 9: Attach the top panel (1) using hardware parts L and M with a screwdriver (not provided). Secure the back panels (23) using hardware parts C1, N, o1 and A8 with a small mallet and screwdriver (not provided). **DO NOT use any power tools as this may damage the frame and will invalidate any claim.**



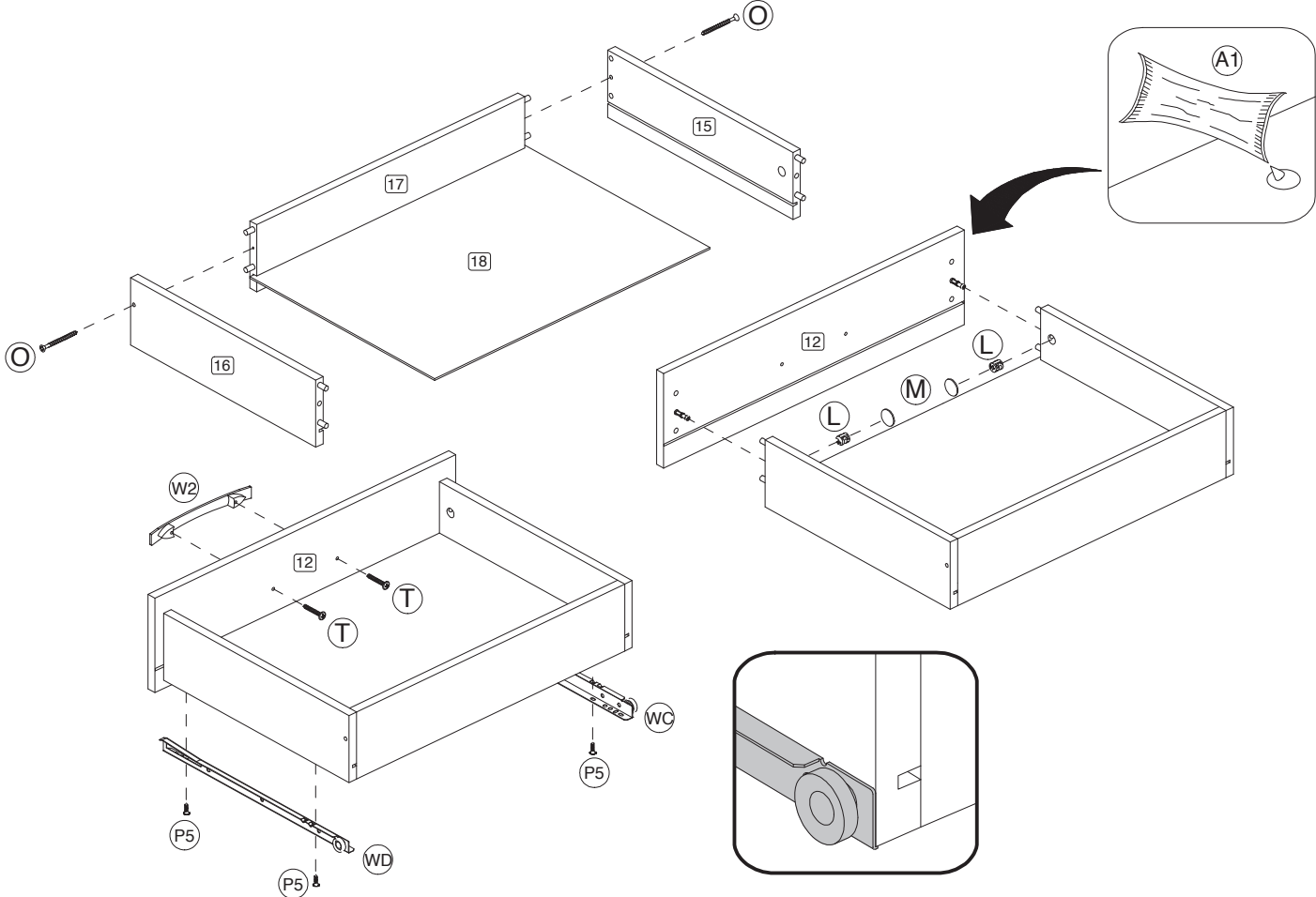
Step 10: Attach the doors as shown, then attach the handles W2 using hardware part T. You will need to use a screwdriver (not provided).

DO NOT use any power tools as this may damage the frame and will invalidate any claim.



Step 11: Assemble the drawer components using hardware parts L, M, O, P5, T, WC and WD with a screwdriver (not provided).

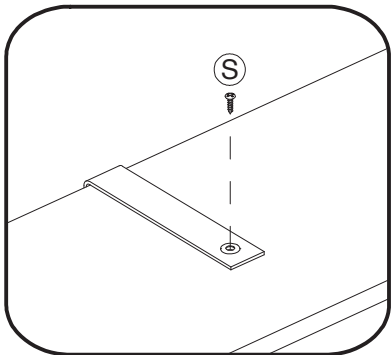
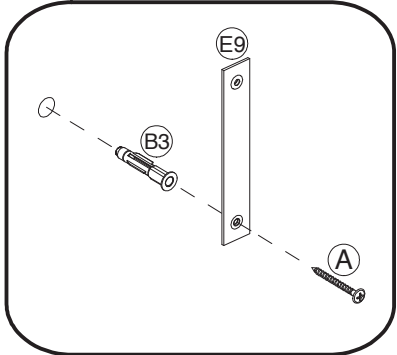
DO NOT use any power tools as this may damage the frame and will invalidate any claim.



Step 12: To secure the item to the wall use hardware parts A, B3 and E9 using a screwdriver (not provided).

DO NOT use any power tools as this may damage the frame and will invalidate any claim.

Birlea Furniture advise you use the wall straps provided to further enhance the safety of this product.



Please dispose of all packaging safely.

General Care & Maintenance

Wipe clean with a slightly damp cloth.
Avoid the use of all household cleaners and abrasives.

Periodically check all screw & fixings to ensure they are secure.
When moving your product, carefully lift into place. Never drag or push the pieces across the floor as this will cause damage to the joints and could result in failure to the product that will invalidate the warranty.

For more information on cleaning and product care visit:
<https://www.happybeds.co.uk/help-and-advice>

Notes

We've tried to make this product as easy to assemble as possible. In the unlikely event that you have problems putting it together or have damaged or missing pieces, please contact us by visiting:

<https://www.happybeds.co.uk/customer-service>



www.happybeds.co.uk

