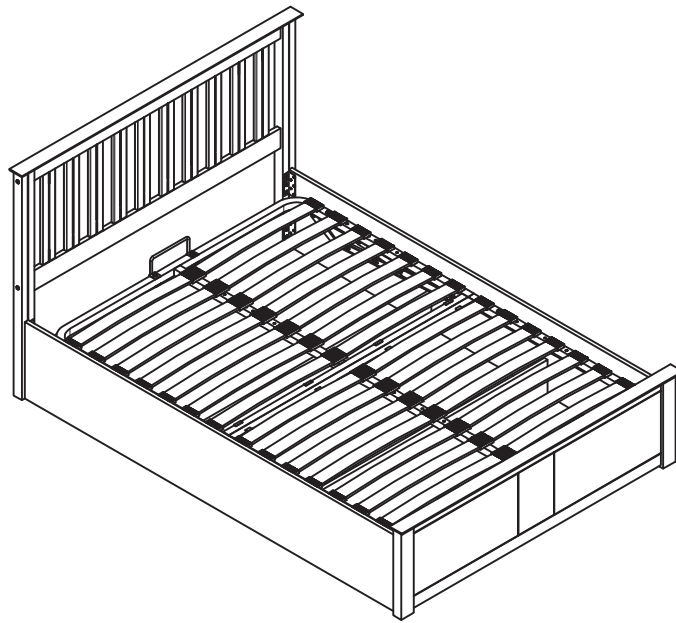




## Assembly Instructions

# Phoenix Ottoman - 4'6 Bed



### Important before assembly:

Read these instructions carefully before assembling or using the product.

Please check the contents of the boxes before attempting to assemble this product. The instructions will have a checklist of parts and fittings.

It would be sensible to lay a rug or a carpet on the floor where you intend to assemble the product, to avoid scratches and damaging the product or the floor.

Assemble the product as close to its intended final location/room as possible.

Do NOT use any power tools as this may damage the frame.

### Health & Safety:

This product or some parts of this product will be heavy. Please use an assistant when lifting.

Please keep small parts out of reach of children.

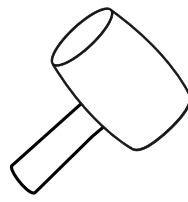
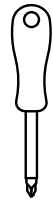
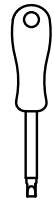
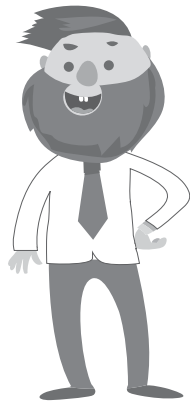
Always use on a level, even surface.

DO NOT jump on the product or any of its parts.

DO NOT use this product if any parts are missing, damaged or worn.

DO NOT use this product unless all fixings are secured.

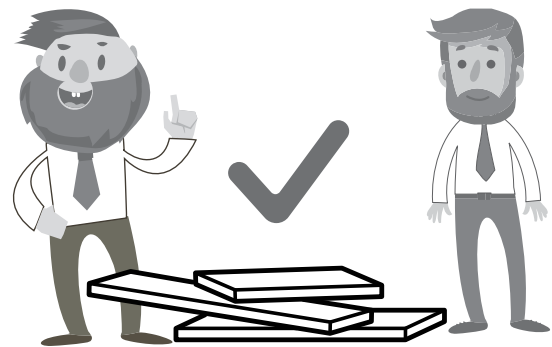
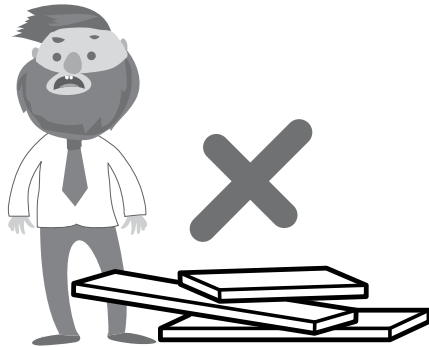
Please keep these instructions for future reference.



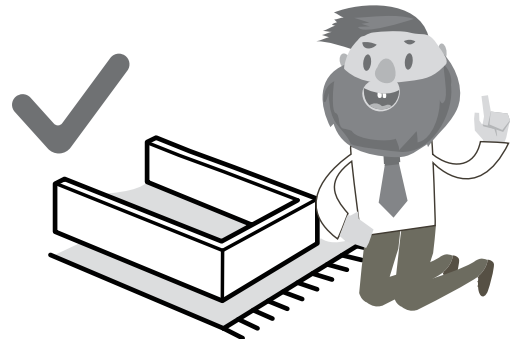
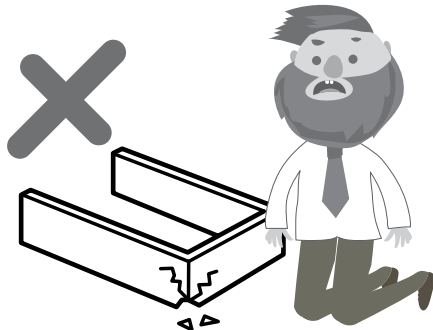
(Not metal)

These tools are not necessary, but may help to assemble certain parts of the product.

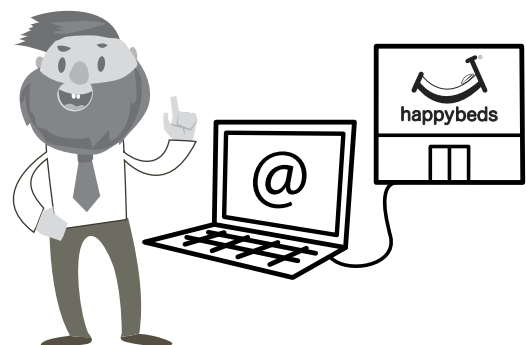
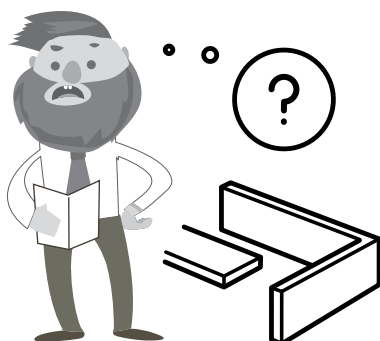
Do NOT use any power tools as this may damage the frame.



This product or some parts of this product will be heavy. Please use an assistant when lifting.




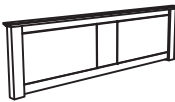




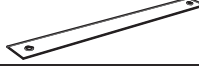


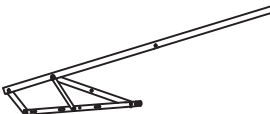
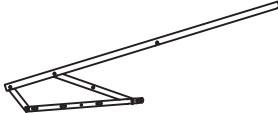






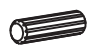







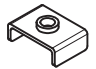
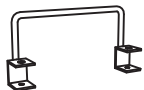








Never drag or push the pieces across a hard or stone floor as this will cause damage to the joints. Use a carpet or a rug for extra care.



If you have problems assembling or have damaged or missing pieces, please contact us by visiting:

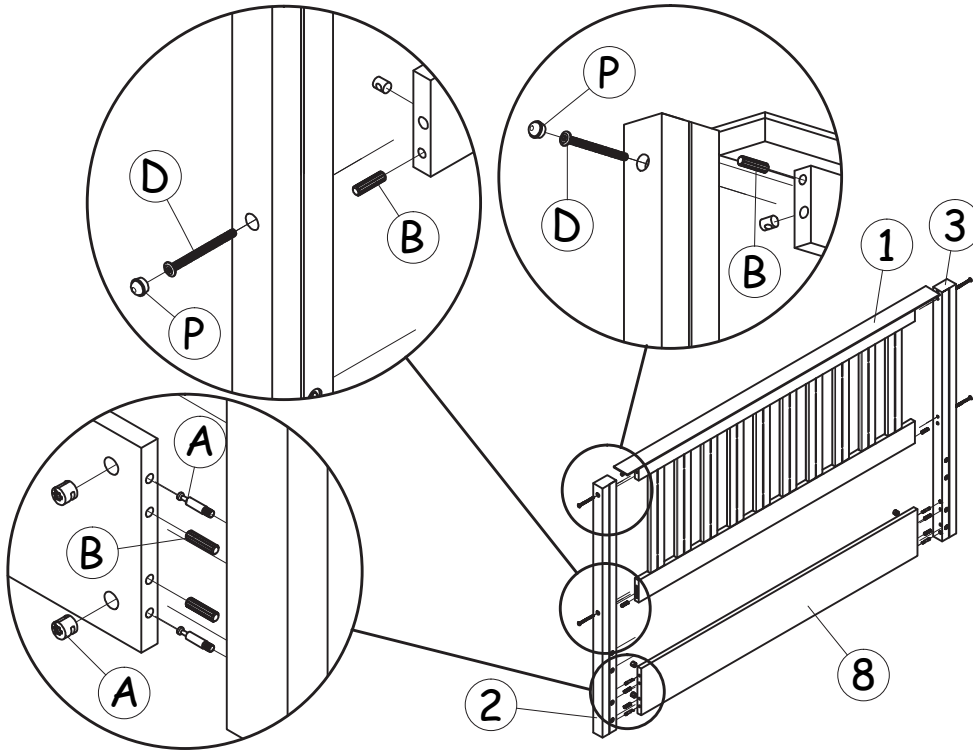
<https://www.happybeds.co.uk/customer-service>

Parts List				
Parts	Description		Box	Qty
1	Headboard Frame		$\frac{1}{5}$	1
2	Left Wooden Post		$\frac{2}{5}$	1
3	Right Wooden Post		$\frac{2}{5}$	1
4	Footboard		$\frac{1}{5}$	1
5	Left Side Rail		$\frac{4}{5}$	1
6	Right Side Rail		$\frac{4}{5}$	1
7	Centre Storage Panel		$\frac{2}{5}$	2
8	Back Storage Panel		$\frac{2}{5}$	1
9	Small Base Panel		$\frac{1}{5}$	1
10	Large Base Panel		$\frac{1}{5}$	3
11	Slat		$\frac{3}{5}$	28
12	Left Hydraulic Base Support with stopper		$\frac{5}{5}$	1
13	Right Hydraulic Base Support		$\frac{5}{5}$	1
14	Hydraulic Pump		$\frac{5}{5}$	2
15	Back Bed Base		$\frac{3}{5}$	1
16	Front Bed Base		$\frac{3}{5}$	1

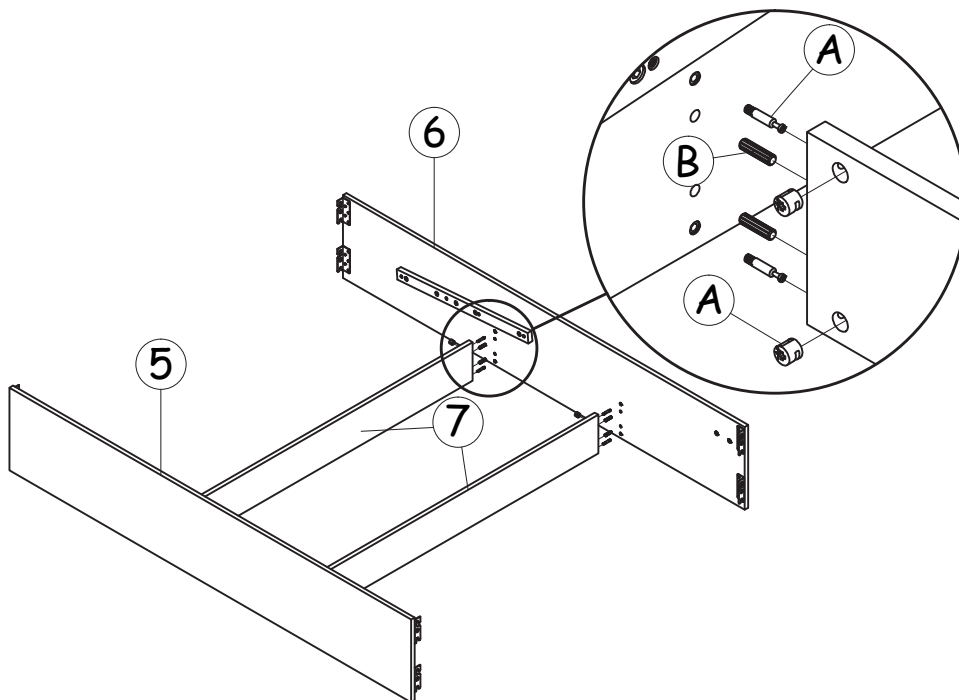
Hardware List (Found in box #)				
Parts	Description		Box	Qty
A	Mini Fix		$\frac{3}{5}$	12
B	8 x 30 mm Wooden Dowel		$\frac{3}{5}$	16
C	Metal Corner Block		$\frac{3}{5}$	2
D	M6 x 90 mm Barrel Nut		$\frac{3}{5}$	4
E	M8 x 25 mm JCBC Bolt		$\frac{3}{5}$	16
F	M8 x 15 mm JCBC Bolt		$\frac{3}{5}$	8
G	M8 x 20 mm JCBC Bolt		$\frac{3}{5}$	10
H	M8 x 75 mm JCBC Bolt		$\frac{3}{5}$	4
I	M8 Flat Washer		$\frac{3}{5}$	4
J	Base Nut		$\frac{3}{5}$	4
K	Base Handle		$\frac{3}{5}$	2
L	M6 x 40 mm JCBC Bolt		$\frac{3}{5}$	4
M	M8 x 45 mm JCBB Bolt with Nut Bracket, Spring & Flat Washer		$\frac{3}{5}$	6
N	Single Slat Cap		$\frac{3}{5}$	28
O	Double Slat Cap		$\frac{3}{5}$	14
P	Wooden Button		$\frac{3}{5}$	4
Q	M6 Allen Key		$\frac{3}{5}$	1
R	M8 Allen Key		$\frac{3}{5}$	1
S	M12.8 Spanner		$\frac{3}{5}$	1

\*\* You will also need a screwdriver and small mallet ( not provided ).

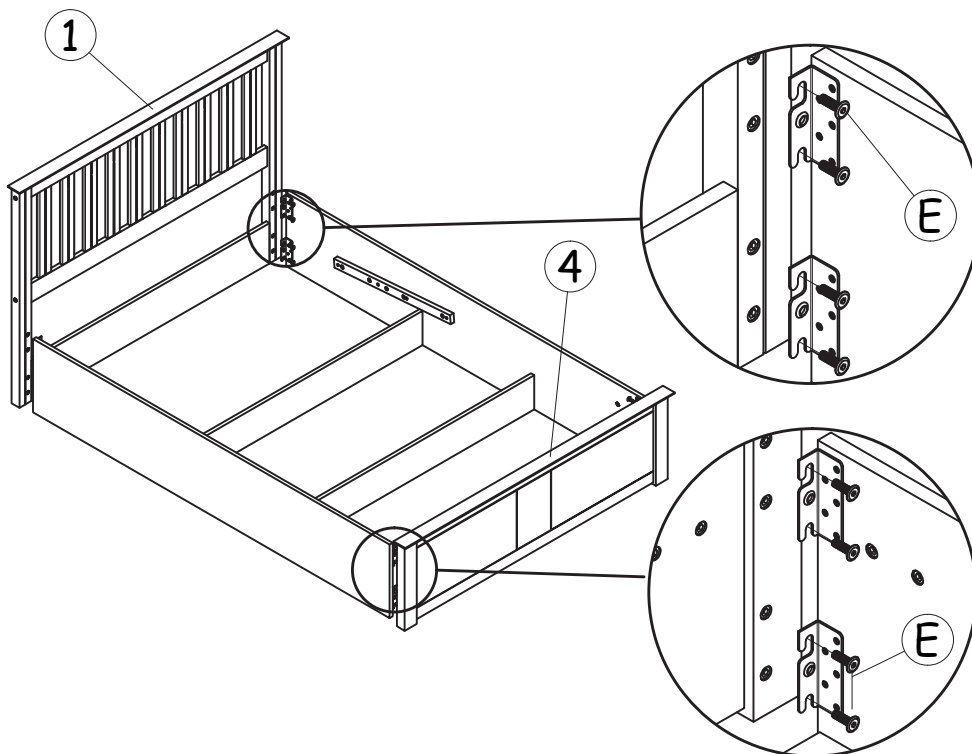
**Step 1:** Attach the headboard frame (1) and back storage panel (8) to the left wooden post (2) and right wooden post (3). Secure the headboard frame using hardware parts B, and D, then secure the back storage panel with hardware parts A and B.



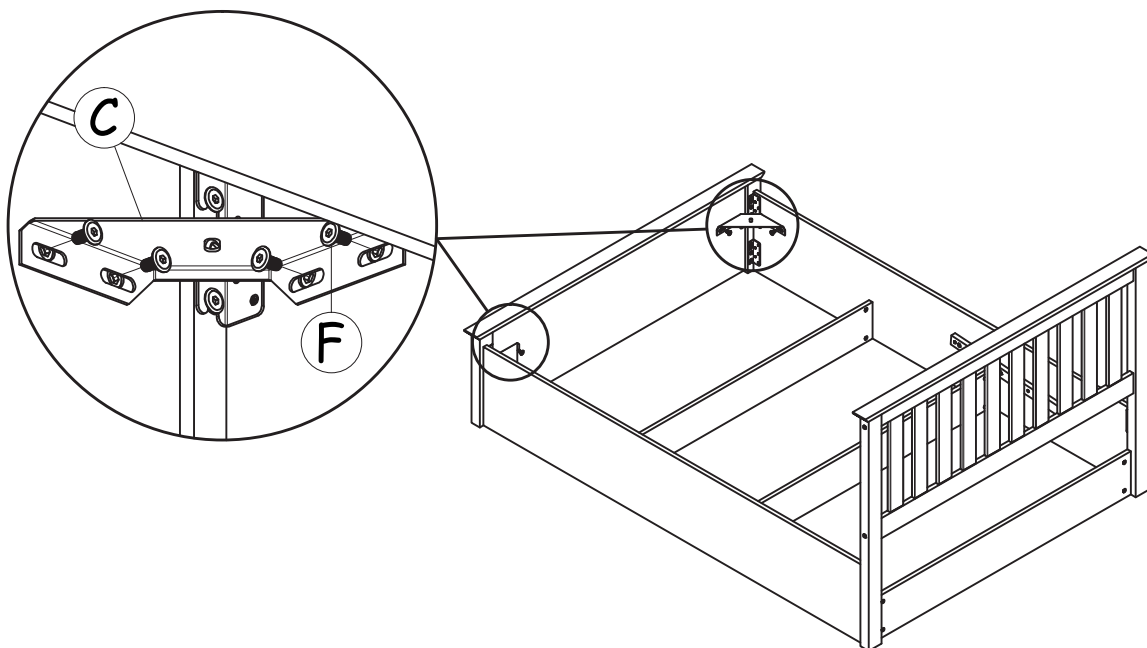
**Step 2:** Join together the left side rail (5) and right side rail (6) with the centre storage panels (7) using hardware parts A and B.



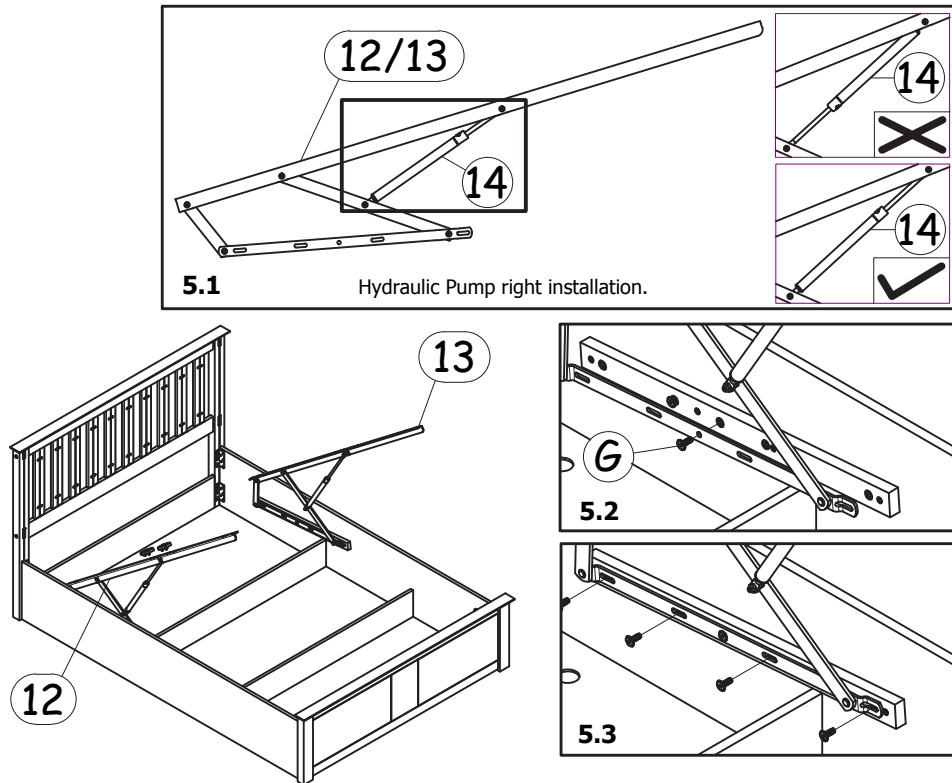
**Step 3:** Attach the headboard frame (1) and footboard (4) using hardware part E.



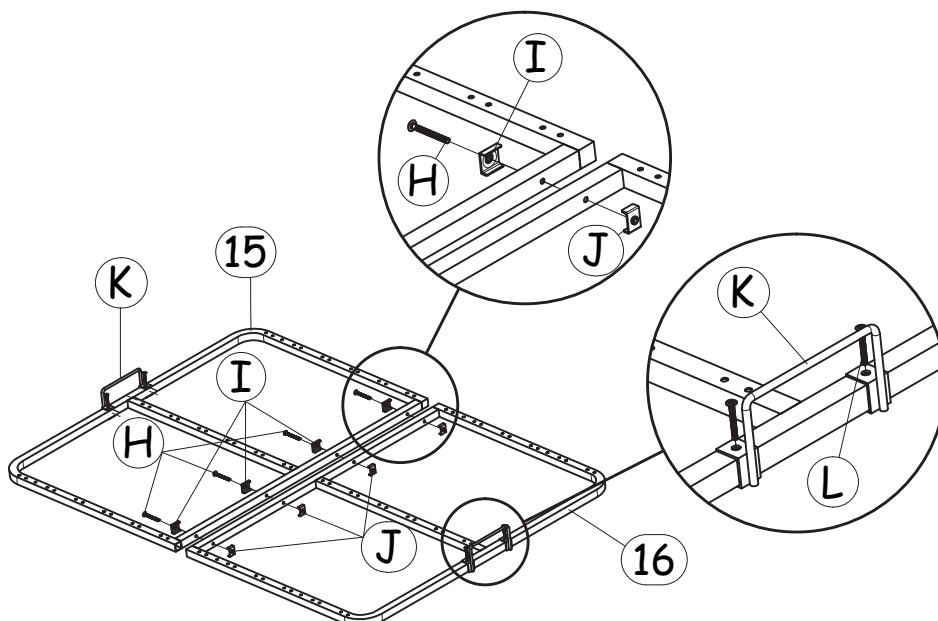
**Step 4:** Attach hardware part C using hardware parts F.



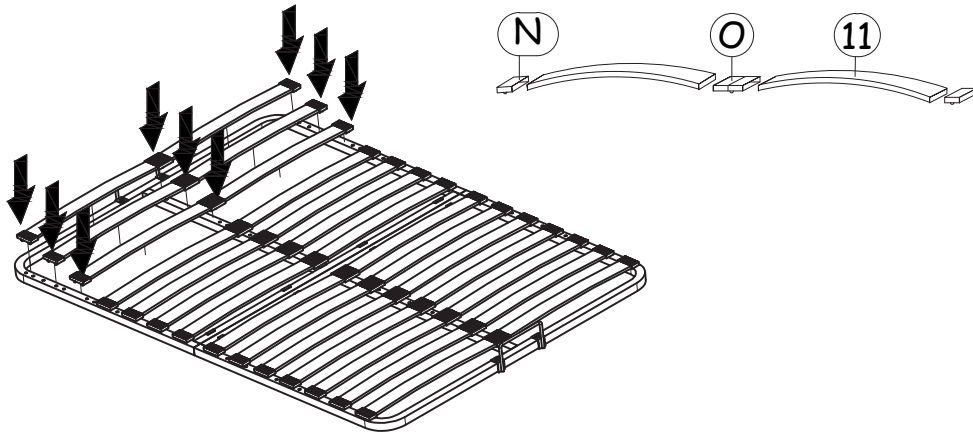
**Step 5:** Attach the hydraulic pumps (14) to the left hydraulic base support (12) and right hydraulic base support (13) then fix the base supports to the side rails using hardware part G as shown in Fig 5.2 – do not fully tighten yet. Insert the remainder of hardware part G and fully tighten all bolts.



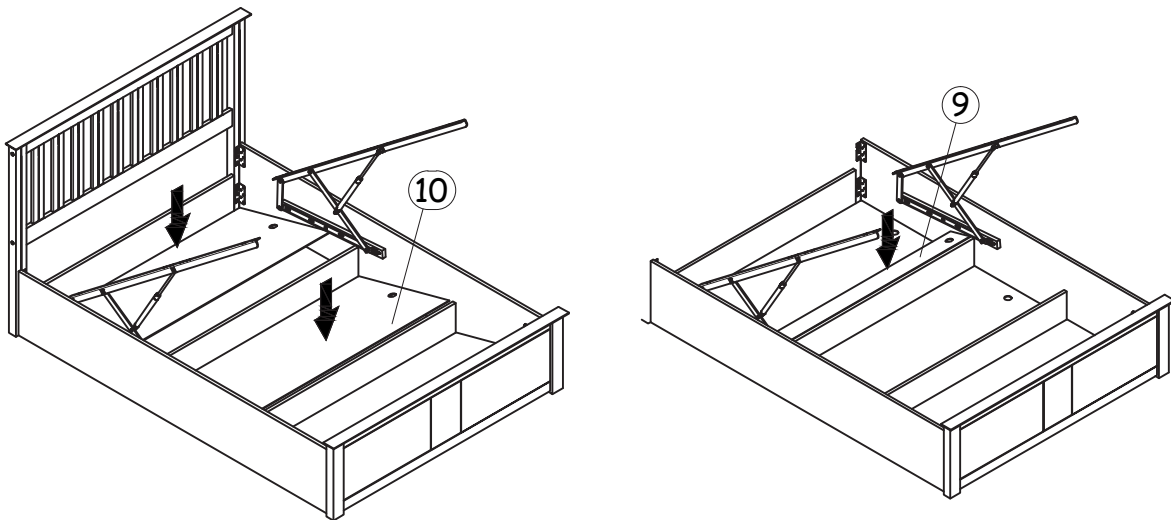
**Step 6:** Join together the back bed base (15) and front bed base (16) using hardware parts H, I and J. Attach hardware parts K using hardware part L.



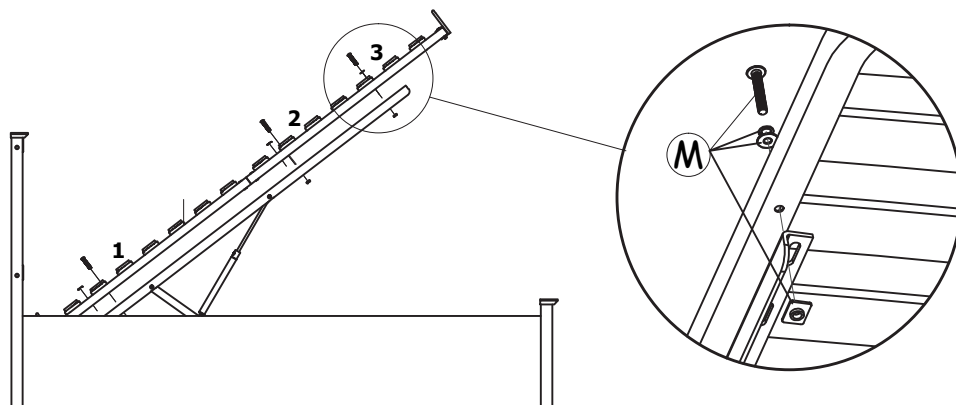
**Step 7:** Insert the slats (11) to hardware parts N and O then press into the base making sure they are secure.



**Step 8:** Insert the small base panel (9) and large base panels (10).

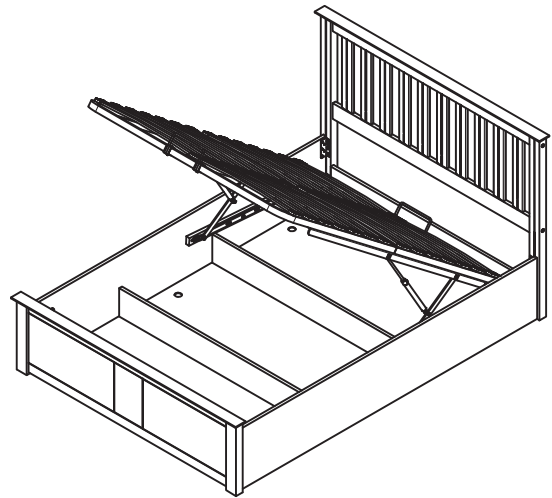
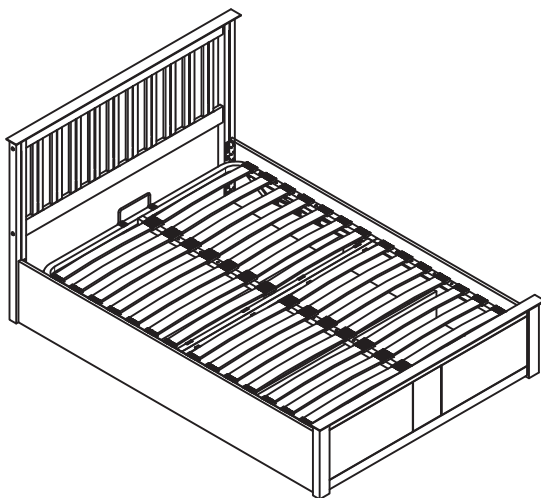
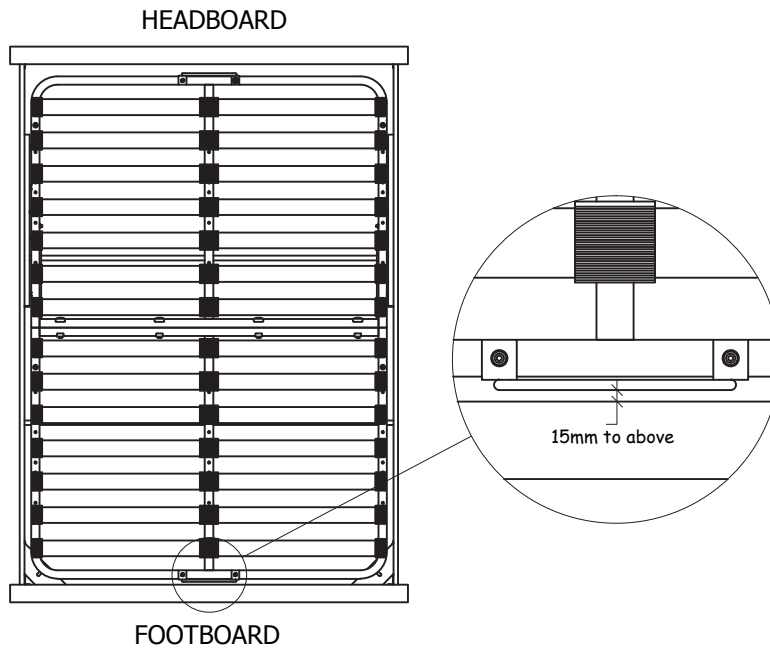


**Step 9:** Attach the bed base to the hydraulic frames using hardware part M. Fix the bolts starting from area 1 and finishing in area 3 – do not fully tighten the bolts yet.



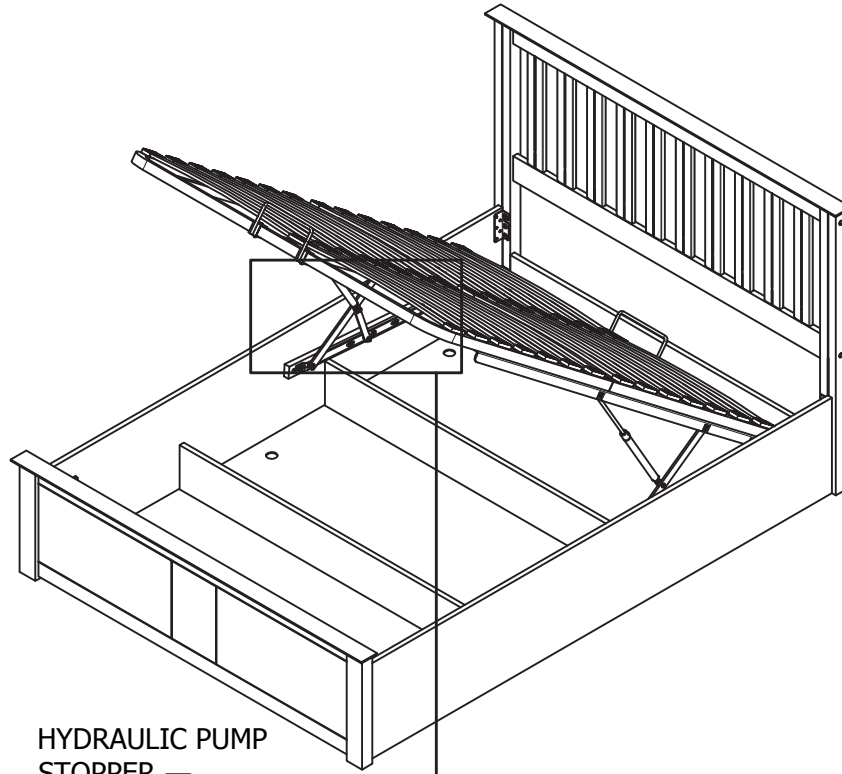


**Step 10:** Adjust the bed base making sure that the distance to the footboard is approximately 15 mm to above. Tighten all bolts and screws now.

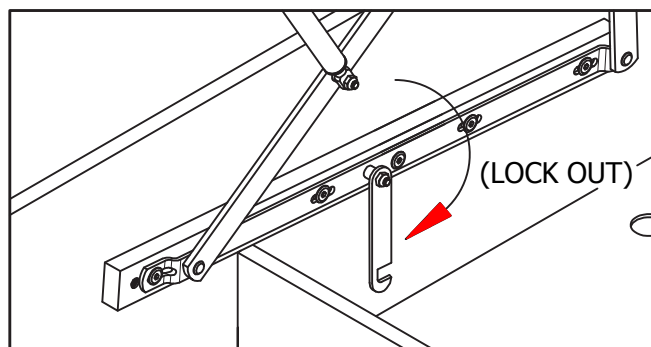
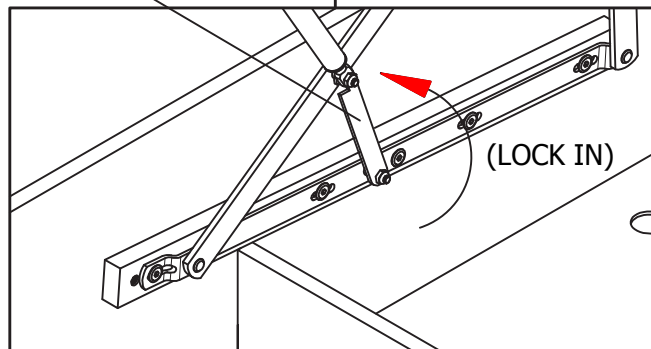


# CAUTION :

PLEASE USE HYDRAULIC PUMP STOPPER FOR SAFETY PURPOSE.



HYDRAULIC PUMP STOPPER



## Important Ottoman Safety Warnings

- . Caution. This bed uses a pressurised mechanism.
- . Use caution when operating - Always use two hands at arm's length, and only where illustrated on the product.
- . You must ensure the mattress is on the bed frame before lifting the mechanism - Failure to do so may result in injury.
- . Please ensure Children and pets are kept away from the bed when operating the bed mechanism.
- . If removing the mattress, make sure that the frame is secured as it could flip open.
- . Only use the storage compartment when the frame is fully raised in the 'up' position.
- . No children or animals are left unattended when the frame is in the 'up' position.
- . Do not remain on the bed whilst the lifting mechanism is in use.
- . Beware of Entrapment - Keep both hands clear of mechanism when operating the mechanism.
- . When lifting the bed remove all bedding - Except the fitted sheet.

