



ASSEMBLY INSTRUCTIONS
LANCASTER 4'6" BED

IMPORTANT : READ THESE INSTRUCTIONS CAREFULLY BEFORE ASSEMBLING OR USING YOUR LANCASTER 4'6" BED FRAME

PLEASE KEEP THESE INSTRUCTIONS FOR FUTURE REFERENCE.

HEALTH & SAFETY:

DO NOT jump on this bed frame.

DO NOT use this bed frame if any parts are missing, damaged or worn.

DO NOT use this bed frame unless all fixings are secured.

Please keep small parts out of reach of children.

Always use on a level, even surface.

WARNING : If this bed is placed on a non- carpeted floor you must place some protection under all legs to stop the bed frame from moving. if this is not adhered to there is no guarantee if the bed frame collapses.

CARE & MAINTENANCE:

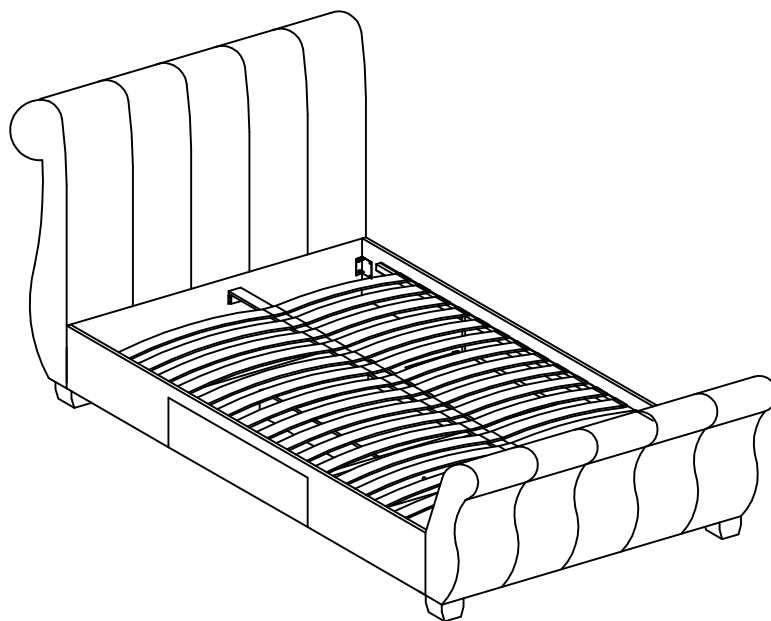
Assembly in the room use.

Periodically check all screw & fixings to ensure they are secure.


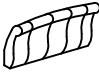
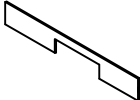
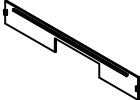



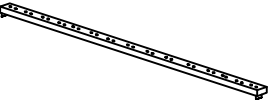



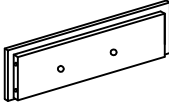

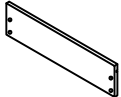
DO NOT push the bed frame as this will damage the legs.

Always lift the bed with two people to reposition.

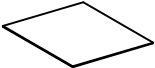

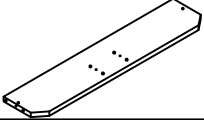



Keep any sharp objects away from the frame.



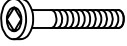
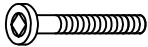
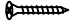
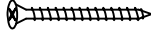
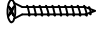
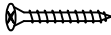




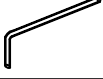


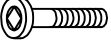



Parts List

Parts	Description	Box	Qty
1	Headend 	1	1
2	Footend 	2	1
3(L)	Left Side Rail 	3	1
3(R)	Right Side Rail 	3	1
4	Slat 	2	26
5	Middle Holder 	2	13
6	End Holder 	2	26
7	Centre Rail 	3	1
8	Support Leg 	2	3
9	Drawer Runner Pack 1 	4	2
10	Drawer Runner Pack 2 	4	2
11	Drawer Front Panel 	4	2
12	Drawer Back Panel 	4	2
13	Drawer Side Panel 	4	4

Parts List

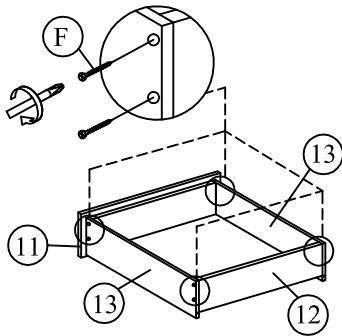
Parts	Description	Box	Qty
14	Drawer Bottom Panel 	4	2
15	Drawer Support 	4	4
16	Drawer Frame 	4	2
17	Drawer Center Frame 	4	2
18	Drawer Frame Support 	4	2
19	Leg 	2	4

Parts	Description	Box	Qty
A	Plastic Dowel (8 x 25) 	4	20
B	M6 x 40 mm JCBC W 	4	8
C	M6 x 40 mm JCBC 	4	3
D	M6 x 50 mm JCBC 	4	4
E	M3.5 x 16 mm CSK 	4	24+1
F	M4 x 50 mm CSK 	4	16
G	M4 x 25 mm CSK 	4	2
H	M4 x 32 mm CSK 	4	8
I	Mini Fix Bolt 	4	4
J	Mini fix Housing 	4	4
K	Mini Fix Cap 	4	4
L	Power Nail 6/8 	4	32
M	Allen Key 100 mm 	4	1
N	M6 Flat Washer 	4	8
O	Adjuster 	4	3
P	M6 x 30 mm JCBC 	4	8
Q	White Nail Leg 	4	10

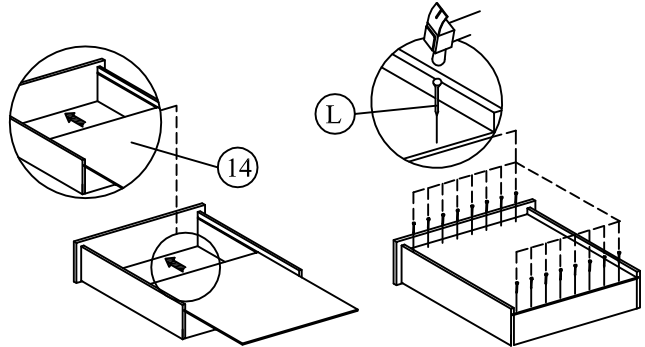
*You will need a small mallet and screwdriver (not provided)

* There is one CSK screw 16mm as spares.

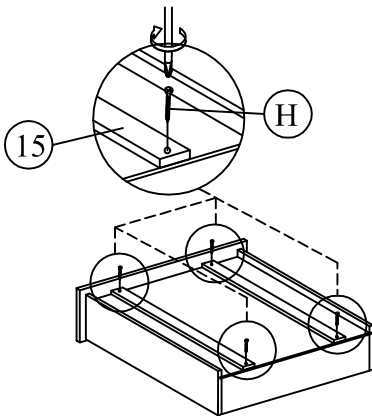
Step 1 : Join together the drawer front panel (11), drawer back panel (12) and drawer side panel (13) using hardware part F and screwdriver (not provided). Repeat for the remaining drawer.
DO NOT use any power tools as this may damage the frame and will invalidate any claim.



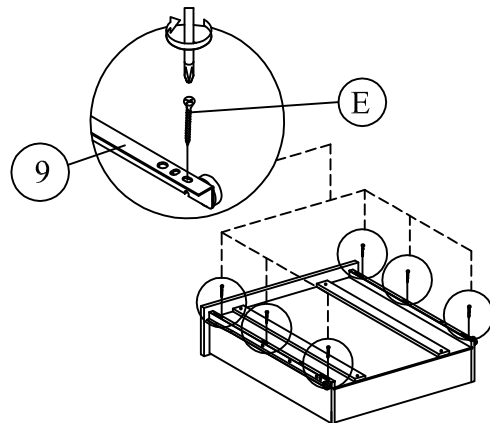
Step 2 : Slide the drawer bottom panel (14) into position on all Two drawer . Secure with hardware part L and small mallet (not provided).
DO NOT use any power tools as this may damage the frame and will invalidate any claim.



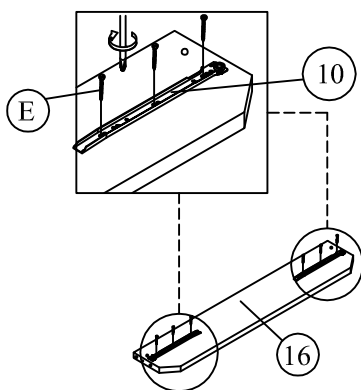
Step 3 : Secure the drawer support (15) using hardware part H and screwdriver(not provided).
DO NOT use any power tools as this may damage the frame and will invalidate any claim.



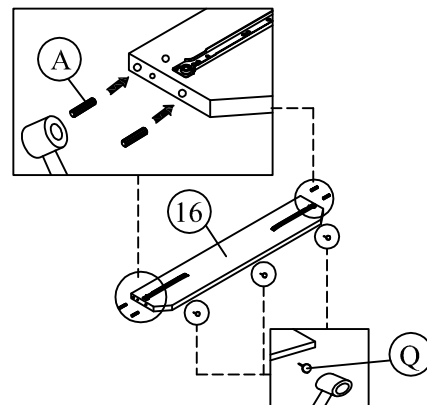
Step 4 : Attach the drawer runner from pack 1 (9) using hardware part E and screwdriver(not provided).
DO NOT use any power tools as this may damage the frame and will invalidate any claim.



Step 5 : Attach the drawer runner from pack 2 (10) to the drawer frame (16) using hardware part E and screwdriver(not provided).
DO NOT use any power tools as this may damage the frame and will invalidate any claim.

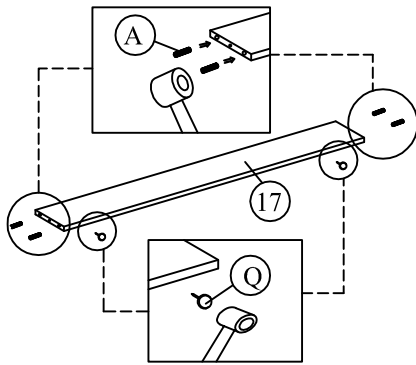


Step 6 : Insert hardware parts A and Q to the drawer frame (16) using a small mallet (not provided).
DO NOT use any power tools as this may damage the frame and will invalidate any claim.



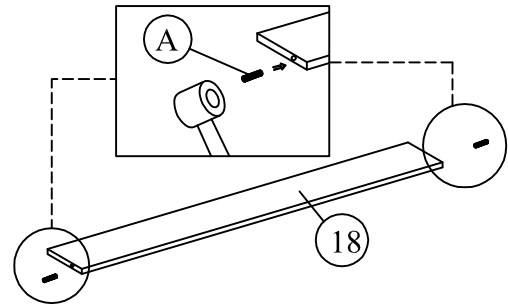
Step 7 : Insert hardware parts A and Q to the drawer center frame (17) using a small mallet (not provided).

DO NOT use any power tools as this may damage the frame and will invalidate any claim.



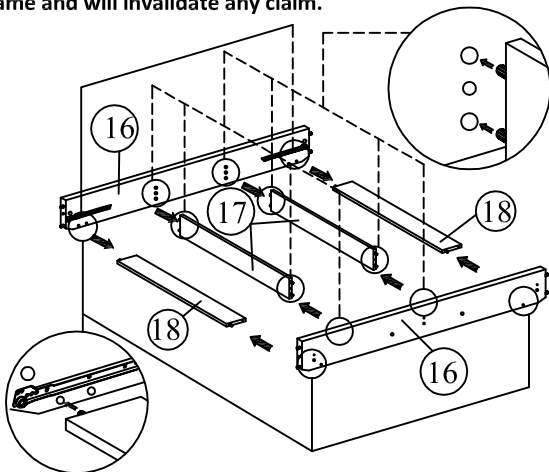
Step 8 : Insert hardware parts A to the drawer frame support (18) using a small mallet (not provided).

DO NOT use any power tools as this may damage the frame and will invalidate any claim.



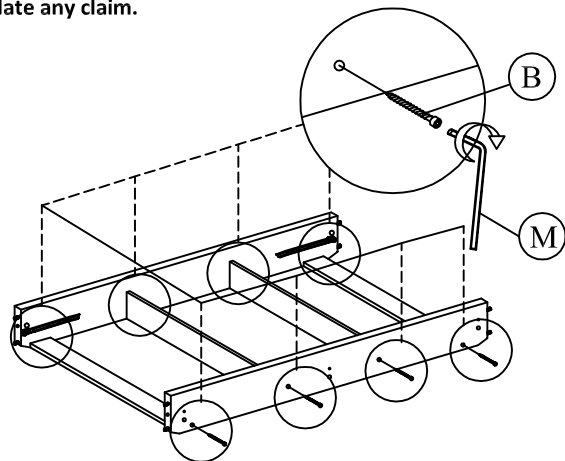
Step 9 : Join together the drawer frame support (18) and drawer center frame (17) to the drawer frame (16) .

DO NOT use any power tools as this may damage the frame and will invalidate any claim.



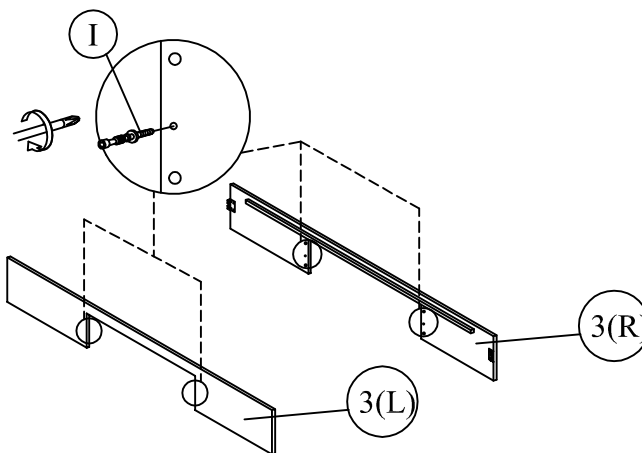
Step 10 : Secure the frame using hardware parts B and M .

DO NOT use any power tools as this may damage the frame and will invalidate any claim.

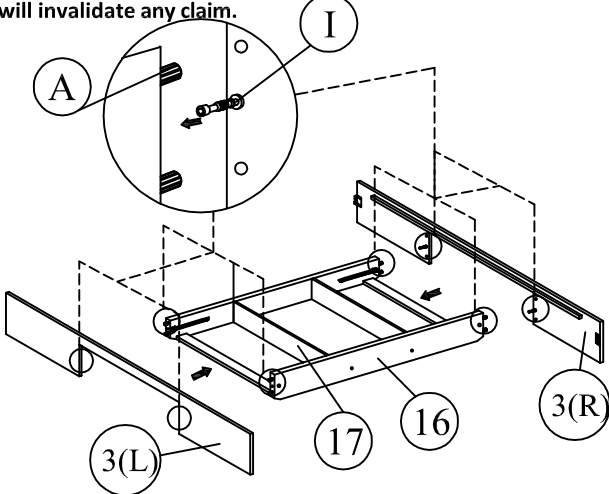


Step 11 : Insert hardware part I to the side rails (3L,3R) using a screwdriver (not provided).

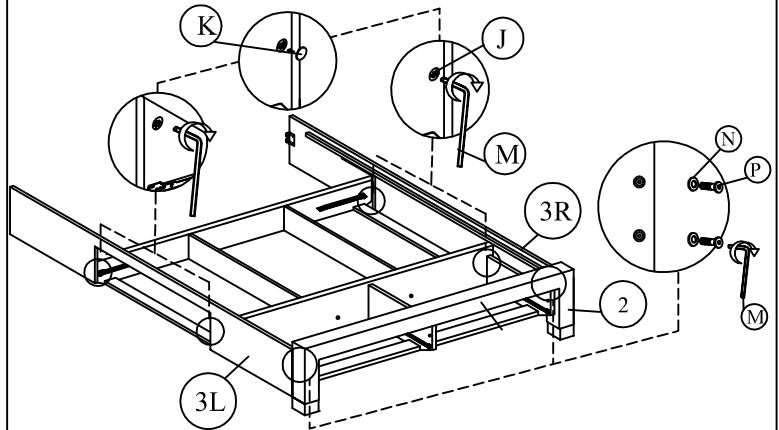
DO NOT use any power tools as this may damage the frame and will invalidate any claim.



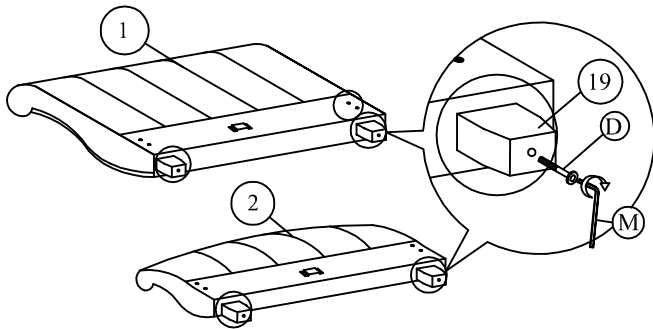
Step 12 : Secure the frame using hardware parts A and I.
DO NOT use any power tools as this may damage the frame and will invalidate any claim.



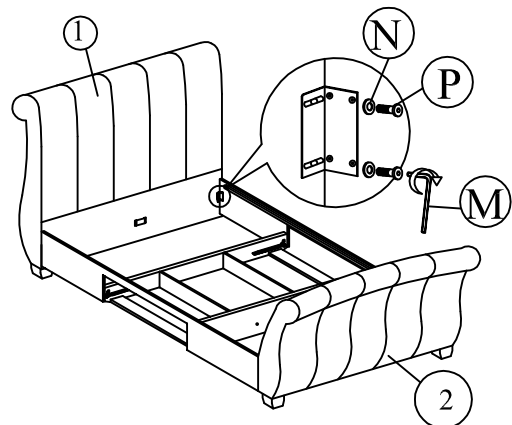
Step 13 : Secure the frame using hardware parts J, K and M.
DO NOT use any power tools as this may damage the frame and will invalidate any claim.



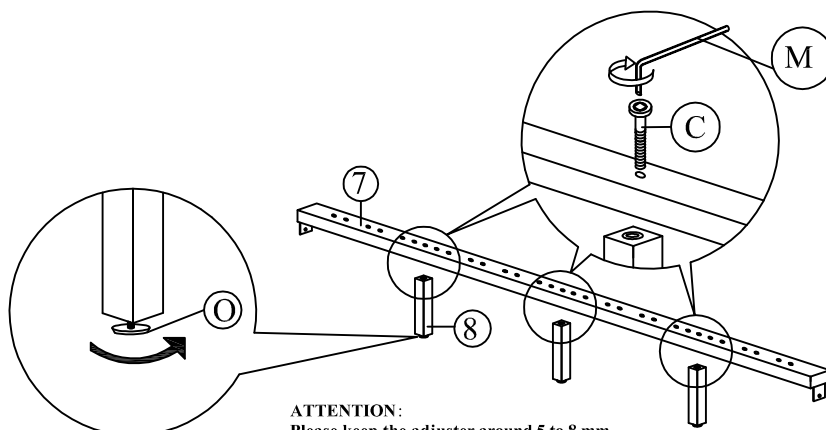
Step 14 : Attach the leg with headend (1) and footend (2). Using hardware part H.
DO NOT use any power tools as this may damage the frame and will invalidate any claim.



Step 15 : Attach the headend (1) and footend (2) using the pre-assembled screws and hardware part P.
DO NOT use any power tools as this may damage the frame and will invalidate any claim.

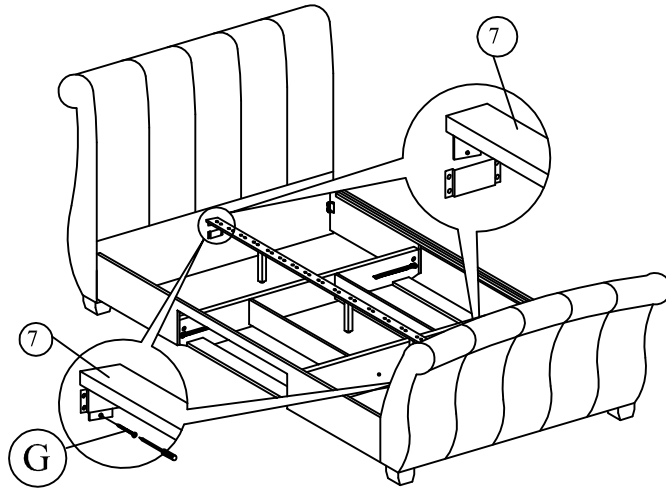


Step 16 : Attach the support legs (8) to the center rail (7) of the bed as shown. Using hardware part C and M.
DO NOT use any power tools as this may damage the frame and will invalidate any claim.



ATTENTION:
 Please keep the adjuster around 5 to 8 mm distant away from the floor.

Step 17 : Place the centre rail (7) into the assembled frame and secure to the headend (1) using hardware part G and a screwdriver (not provided).
DO NOT use any power tools as this may damage the frame and will invalidate any claim.



Step 18 : Tighten all the 4 corner , follow by a assembly of the slat holders with LVL slats as shown. Insert the drawer as shown.
DO NOT use any power tools as this may damage the frame and will invalidate any claim.

