

ASSEMBLY INSTRUCTIONS

OPULENCE FABRIC 4' 6 BED

IMPORTANT: READ THESE INSTRUCTIONS CAREFULLY BEFORE ATTEMPTING TO ASSEMBLE OR USE YOUR BED FRAME.

PLEASE KEEP THESE INSTRUCTIONS FOR FUTURE REFERENCE

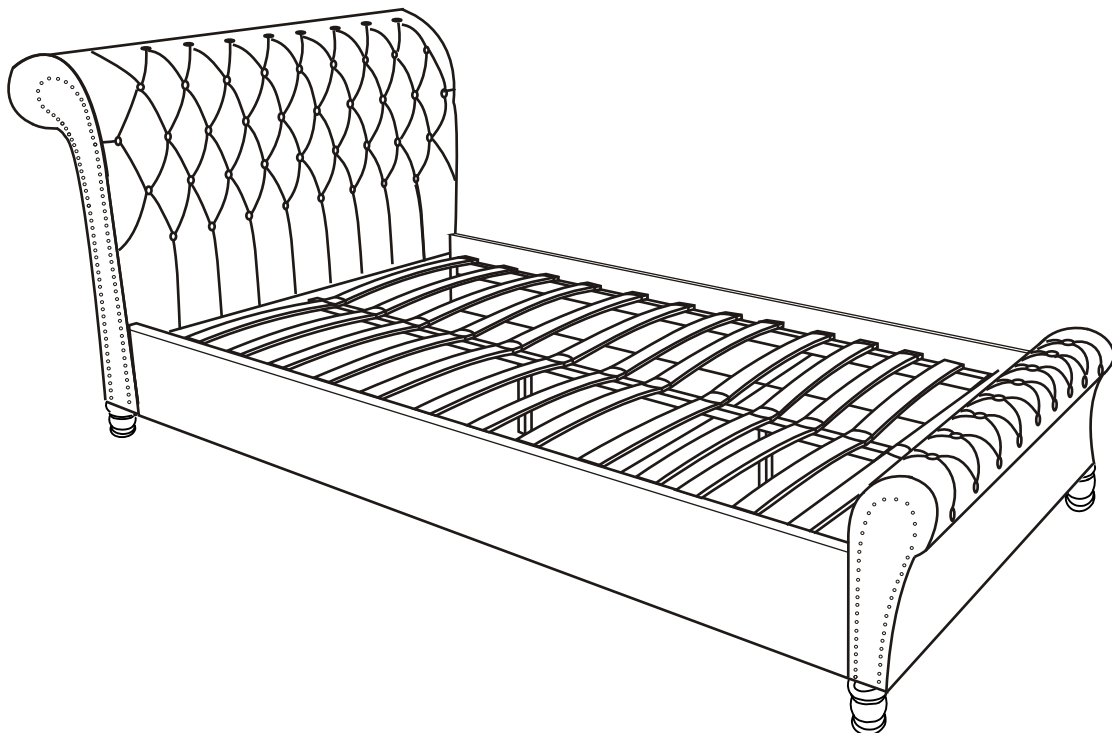
HEALTH & SAFETY:

DO NOT jump on this bed frame
DO NOT use this bed frame if any parts are missing, damaged or worn
DO NOT use this bed frame unless all fixings are tightly secured
Always use on a level, even surface

WARNING: IF THIS BED FRAME IS ON A LAMINATED FLOOR YOU MUST PLACE SOME PROTECTION UNDER ALL LEGS TO STOP THE BED FRAME FROM MOVING. IF THIS IS NOT ADHERED TO THERE IS NO GUARANTEE IF THE BED FRAME COLLAPSES

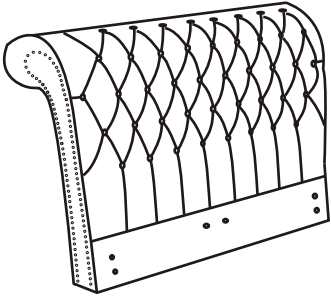
CARE & MAINTENANCE:

Periodically check all screws & fixings to ensure they are tightly secured
DO NOT push the bed frame as this will damage the legs.
Always lift the bed with 2 people whenever you need to change the bed frames position
Keep any sharp objects away from the bed frame

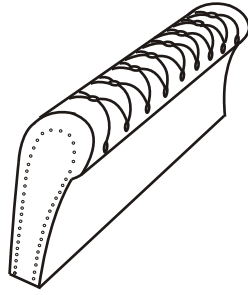


Parts List

① Headboard 1pc



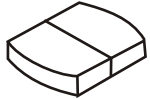
② Footboard 1pc



③ Side Rail 2pcs



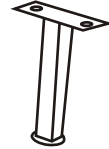
④ Double Plastic Cap 13pcs



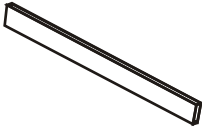
⑤ Centre Support Bar 1pc



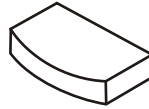
⑥ Support Leg 2pcs



⑦ Slat 26pcs



⑧ Single Plastic Cap 26pcs



⑨ Leg 4pcs



Hardware List

A Bolt M8x30mm 12pcs



B Bolt M8x40mm 4pcs



C Nut M8x13mm 4pcs



D Spring Washer 8pcs



E Flat Washer 8pcs



F Allen Key M5 1pc



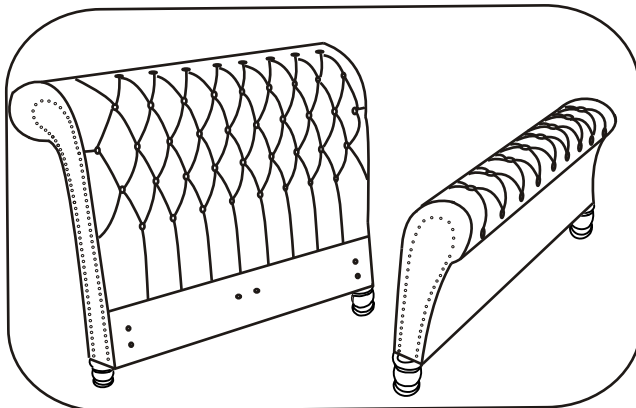
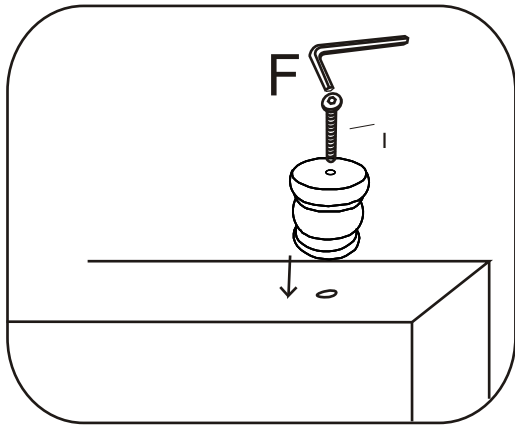
G Spanner 1pc



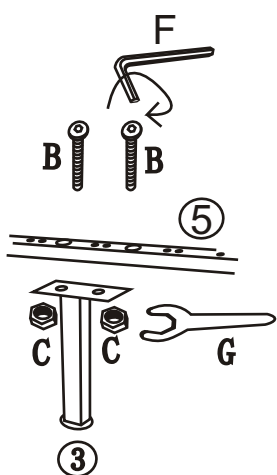
I Bolt M8x70mm 4pcs



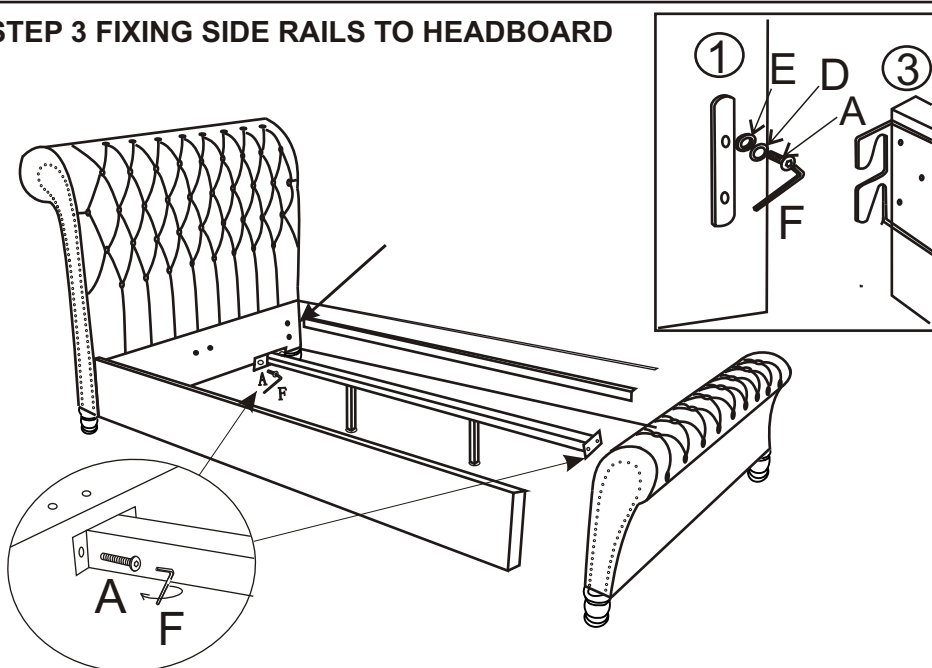
STEP 1 FIXING LEGS TO HEADBOARD AND FOOTBOARD



STEP 2 FIXING SUPPORT LEGS TO CENTRE SUPPORT BAR

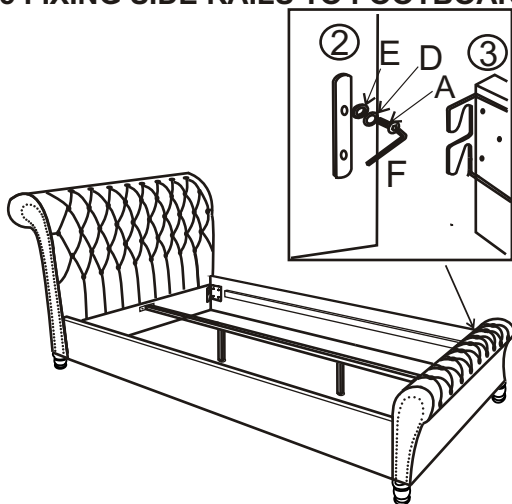


STEP 3 FIXING SIDE RAILS TO HEADBOARD



STEP 4 FIXING CENTRE SUPPORT BAR TO HEADBOARD

STEP 5 FIXING SIDE RAILS TO FOOTBOARD



STEP 6 FIXING PLASTIC CAPS AND SLATS

