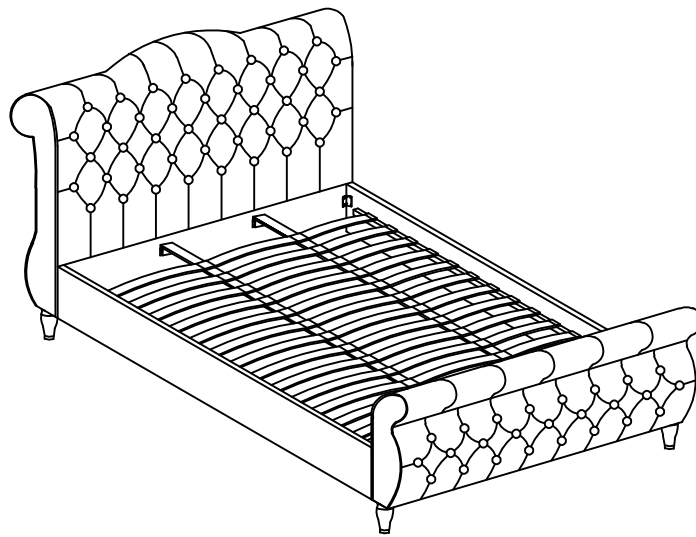




Assembly Instructions

Colorado - Super King



Important before assembly:

Read these instructions carefully before assembling or using the product.

Please check the contents of the boxes before attempting to assemble this product. The instructions will have a checklist of parts and fittings.

It would be sensible to lay a rug or a carpet on the floor where you intend to assemble the product, to avoid scratches and damaging the product or the floor.

Assemble the product as close to its intended final location/room as possible.

Do NOT use any power tools as this may damage the frame.

Health & Safety:

This product or some parts of this product will be heavy. Please use an assistant when lifting.

Please keep small parts out of reach of children.

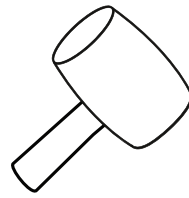
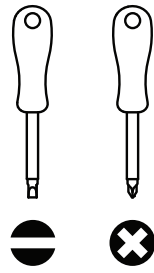
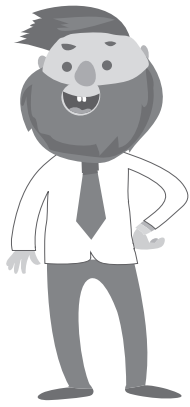
Always use on a level, even surface.

DO NOT jump on the product or any of its parts.

DO NOT use this product if any parts are missing, damaged or worn.

DO NOT use this product unless all fixings are secured.

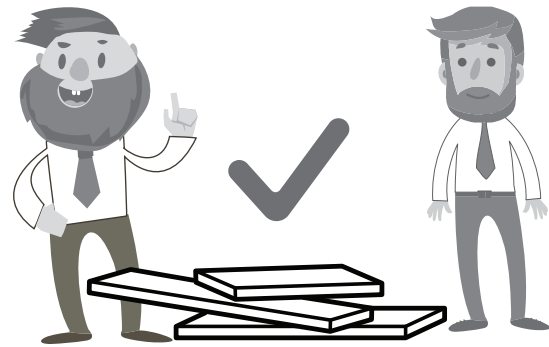
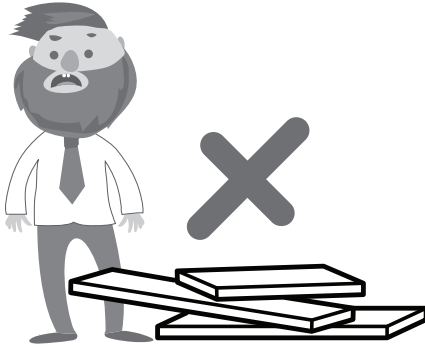
Please keep these instructions for future reference.



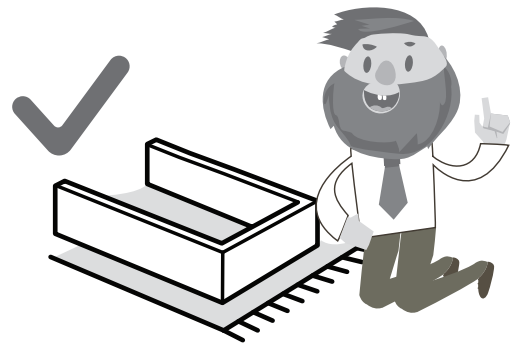
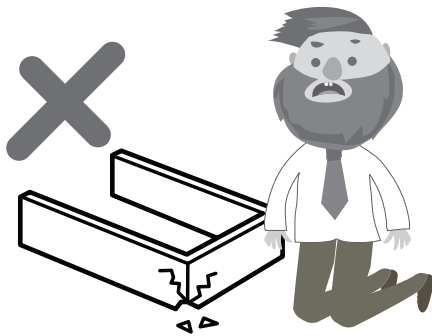
(Not metal)

These tools are not necessary, but may help to assemble certain parts of the product.

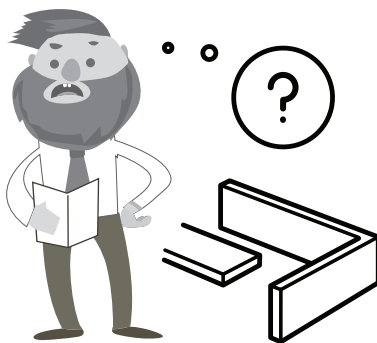
Do NOT use any power tools as this may damage the frame.



This product or some parts of this product will be heavy. Please use an assistant when lifting.

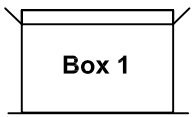


Never drag or push the pieces across a hard or stone floor as this will cause damage to the joints. Use a carpet or a rug for extra care.

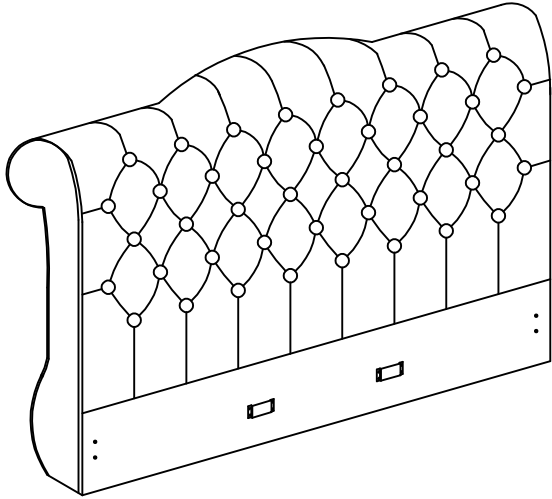


If you have problems assembling or have damaged or missing pieces, please contact us by visiting:

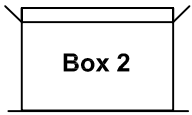
<https://www.happybeds.co.uk/customer-service>



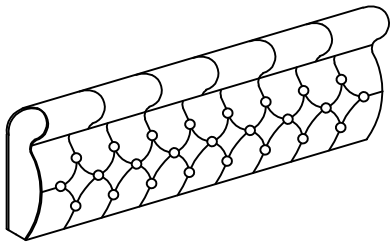
Box 1



1.Headboard (x1)



Box 2



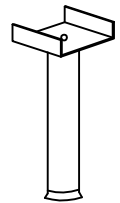
2.Footboard (x1)



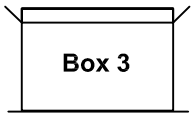
4.Legs (x4)



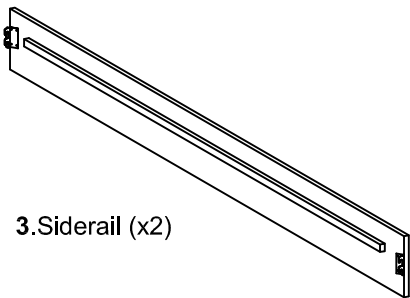
5.Slats (x42)



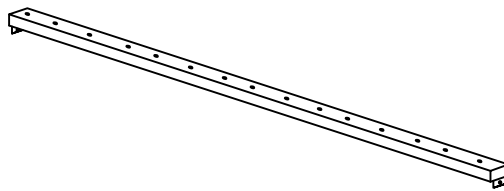
7.Support Legs (x4)



Box 3



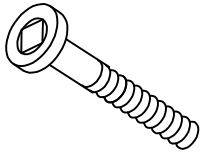
3.Siderail (x2)



6.Centre Rail (x2)

Hardware

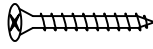
All fitting are stored within Box 2



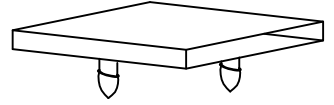
A.M6 x 40 mm JCBC (x4)



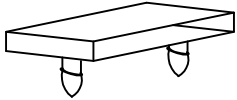
B.Allen Key M4 x 65 mm (x1)



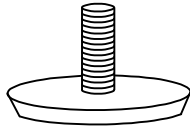
C.M4 x 25 mm CSK (x4)



D.Double Slat Cap (x28)



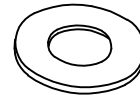
E.Single Slat Cap (x28)



F.Adjuster (x4)



G.M6 x 30 mm JCBC (x8)

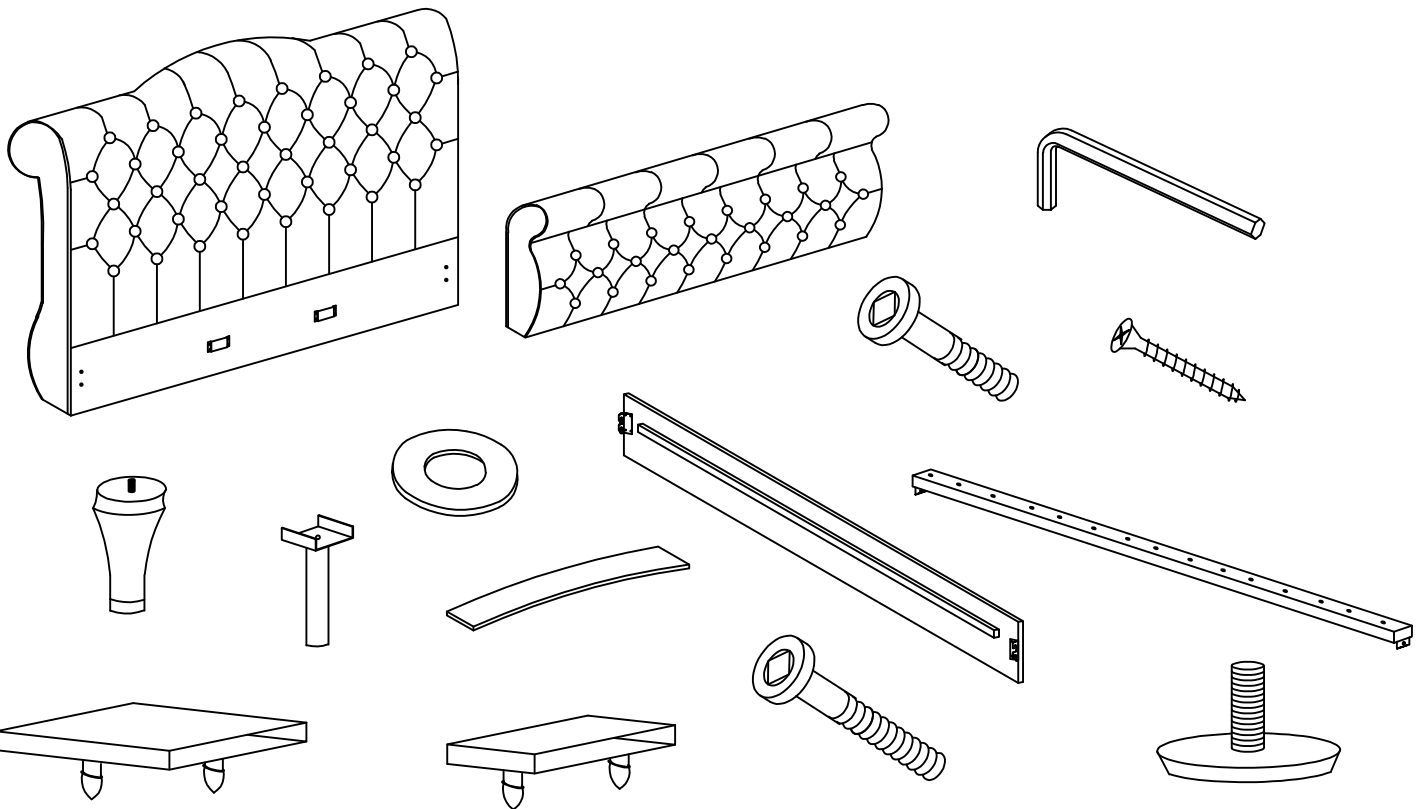


H.Flat Washer (x8)

***You will need a screwdriver (not provided)**

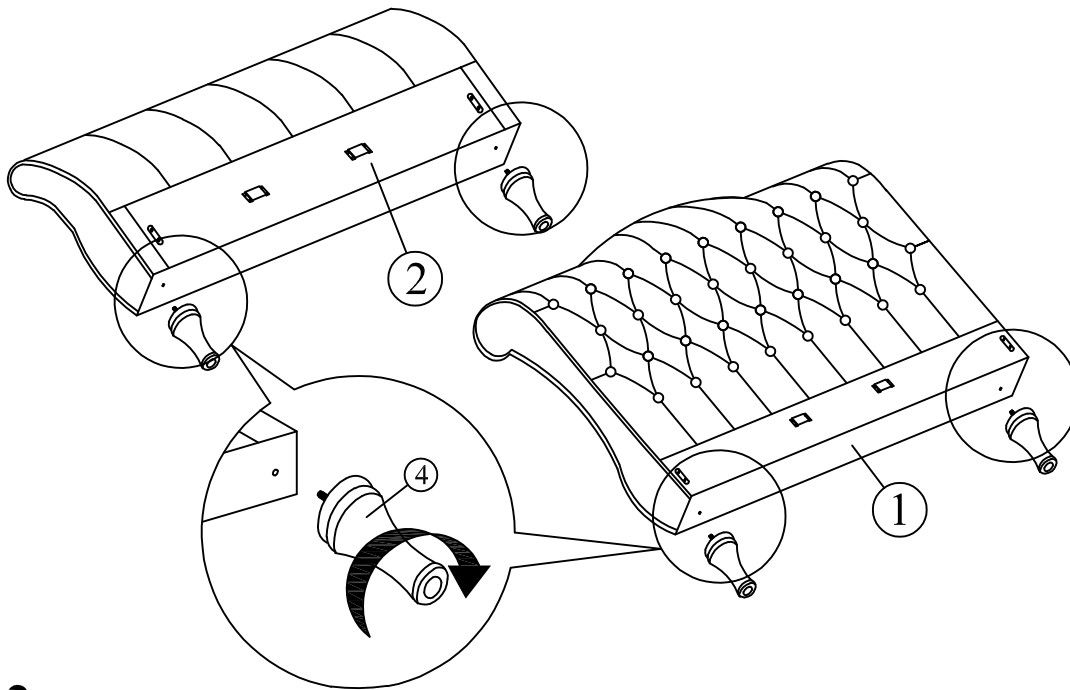
Step 1

Unpack all components from the boxes and check you are not missing anything. Please check these against the list on page 3 & 4. Should you identify any missing components, please contact the retailer you purchased the bed from.



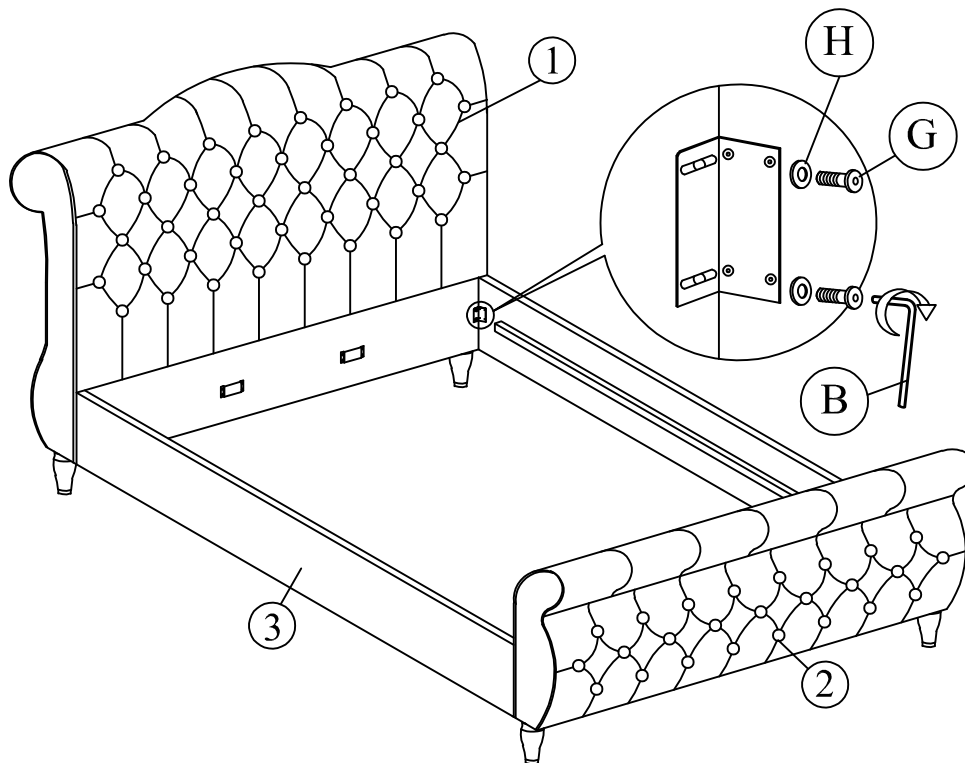
Step 2

Attach the 4x legs (4) to 1x the Headboard (1) and 1x Footboard (2).



Step 3

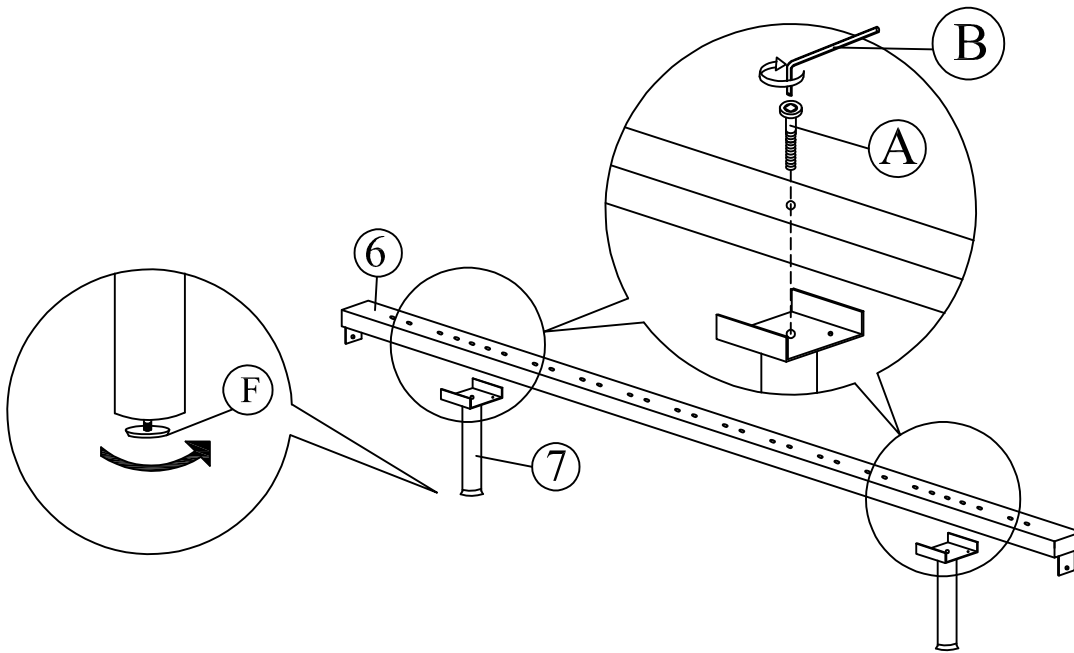
Slot the 2x Side Rails (3) with the 8x M6 x 30 mm JCBC (G), 8x Flat Washer (H) attached to 1x Headboard (1). Then slot the 2x Side Rails (3) to the Bolts attached to 1x Footboard (2).



DO NOT use any power tools as this may damage the frame and will invalidate any claim.

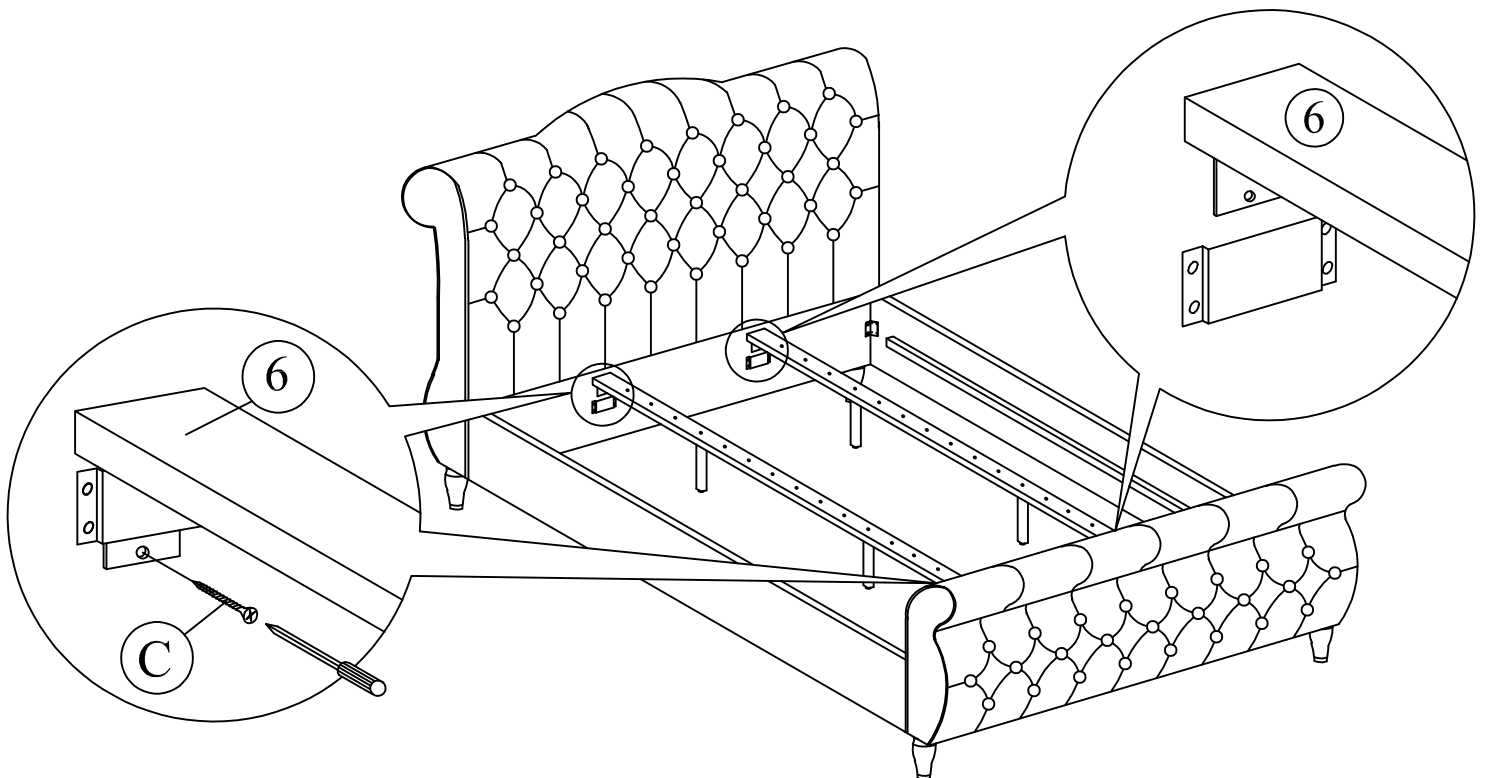
Step 4

Attach the 4x Support Leg (7) to 2x Centre Rail (6) using 4x M6x40mm JCBC (A) and 1x M4 Allen Key (B). Then, screw 4x Adjuster (F) to Support Leg (7).



Step 5

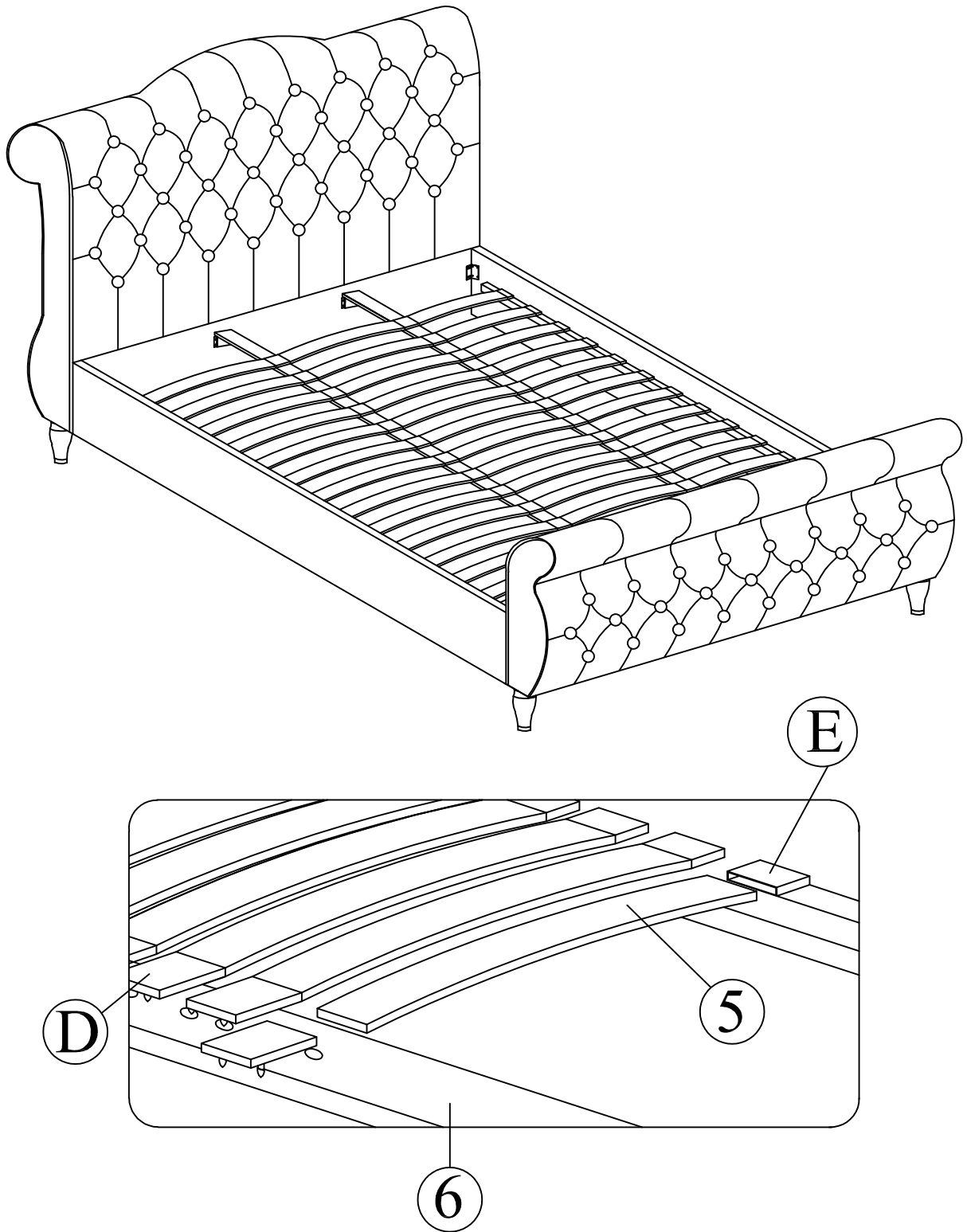
Firstly, slot the 2x centre rail (6) to the bracket on 1x Headboard (1) and 1x Footboard (2). Then secure using 4x M4x25mm CSK (C) and Screwdriver (Not Provided).



DO NOT use any power tools as this may damage the frame and will invalidate any claim.

Step 6

Firstly, slot the 42x Slats (5) to the bracket on 28x Centre Slat Cap (D) and then into 28x Single Slat Caps (E).



DO NOT use any power tools as this may damage the frame and will invalidate any claim.