



## Assembly Instructions

# Maine Ottoman - Double



### Important before assembly:

Read these instructions carefully before assembling or using the product.

Please check the contents of the boxes before attempting to assemble this product. The instructions will have a checklist of parts and fittings.

It would be sensible to lay a rug or a carpet on the floor where you intend to assemble the product, to avoid scratches and damaging the product or the floor.

Assemble the product as close to its intended final location/room as possible.

Do NOT use any power tools as this may damage the frame.

### Health & Safety:

This product or some parts of this product will be heavy. Please use an assistant when lifting.

Please keep small parts out of reach of children.

Always use on a level, even surface.

DO NOT jump on the product or any of its parts.

DO NOT use this product if any parts are missing, damaged or worn.

DO NOT use this product unless all fixings are secured.

Please keep these instructions for future reference.



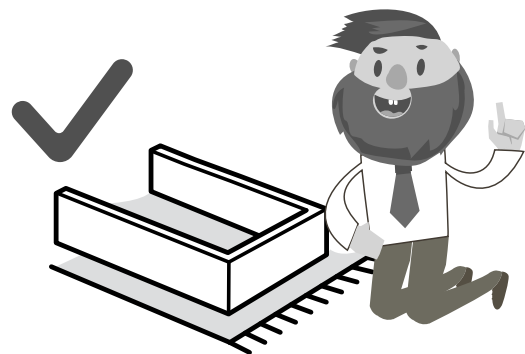
(Not metal)

These tools are not necessary, but may help to assemble certain parts of the product.

Do NOT use any power tools as this may damage the frame.



This product or some parts of this product will be heavy. Please use an assistant when lifting.


















Never drag or push the pieces across a hard or stone floor as this will cause damage to the joints. Use a carpet or a rug for extra care.



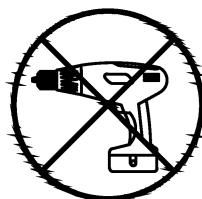
If you have problems assembling or have damaged or missing pieces, please contact us by visiting:

<https://www.happybeds.co.uk/customer-service>

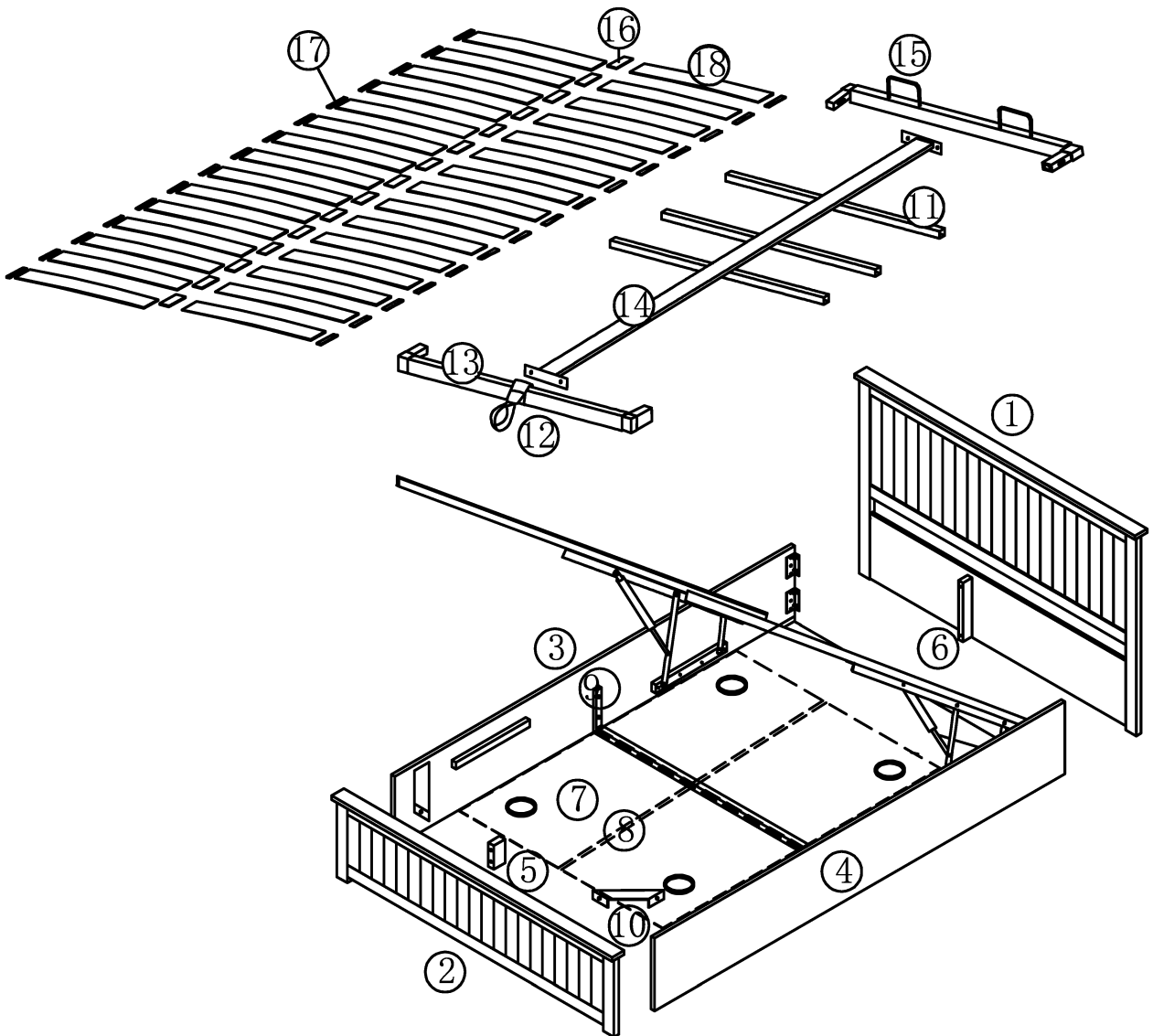
Please check all hardware matches the list below. Should you notice any are missing please contact your retailer.

- |   |   |   |   |   |
|---|---|---|---|---|
| A   | B   | C   | D   | E   |
|    |    |    |    |    |
| M8*20 x16   | M8*25 x16   | $\phi$ 8 x16  | $\phi$ 8 x16  | M6*50 x4  |
| F   | G   | H   | I   | J   |
|    |    |    |    |    |
| M6*15 x4  | M6*40 x4  | $\phi$ 6 x12  | $\phi$ 6 x12  | M4 x1   |
| K   | L   | M   | N   | W   |
|  |  |  |  |  |
| M5 x1   | x32   | x16   | 14# x1  | 30x45 x2  |

We strongly advise that you do not use Power Tools, such as drills or electric screwdrivers during the assembly as this may cause irreparable damage and will invalidate your warranty.



# PARTS



Please ensure you carefully check all the pieces, should you have any concerns please contact the retailer before assembly commences. Please have your order number, details of the issue, the product code, and the batch number from the cartons as this will help us to resolve your issue much faster.

## **ASSEMBLY ADVICE**

Please take the time to carefully read through these instructions before you commence.

Keep these instructions for future reference.

We advise that the product is assembled in the room it is intended for.

We advise that you keep the hardware in a bowl during assembly to avoid losing anything.

Small component parts could choke a child if swallowed.

We recommend you use a sheet or blanket to protect both floor and product through the assembly stages.

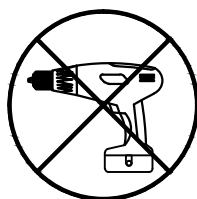
This product is heavy, and we recommend a 2 person lift to avoid personal injury or damage to the product.

Never push or pull the product as this could cause both personal injury or irreparable damage to product or floor.






We have tried to make this piece of furniture easy to assemble if the instructions are followed carefully.

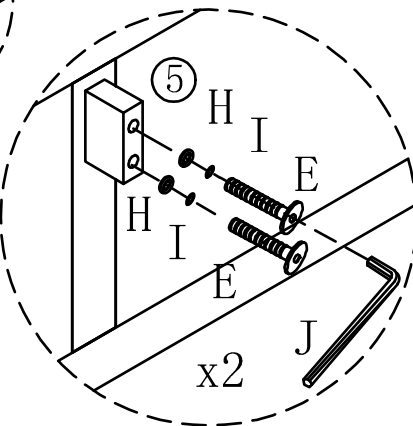
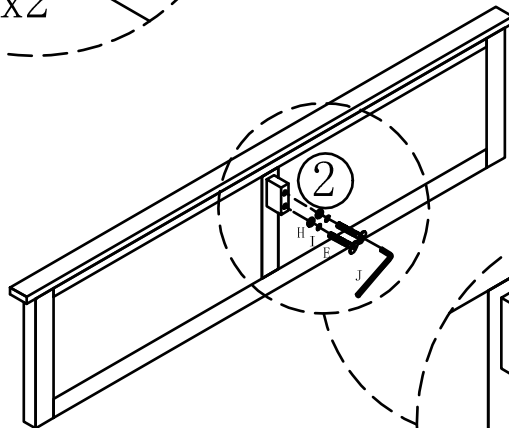
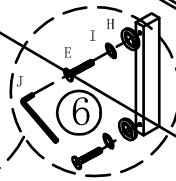
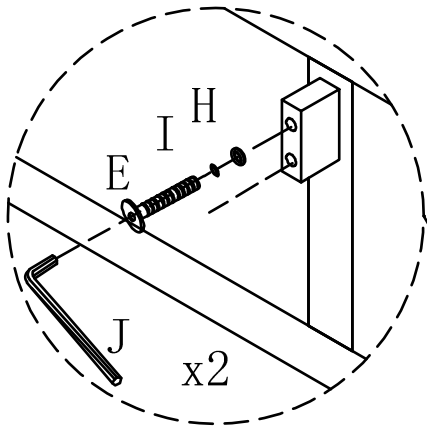
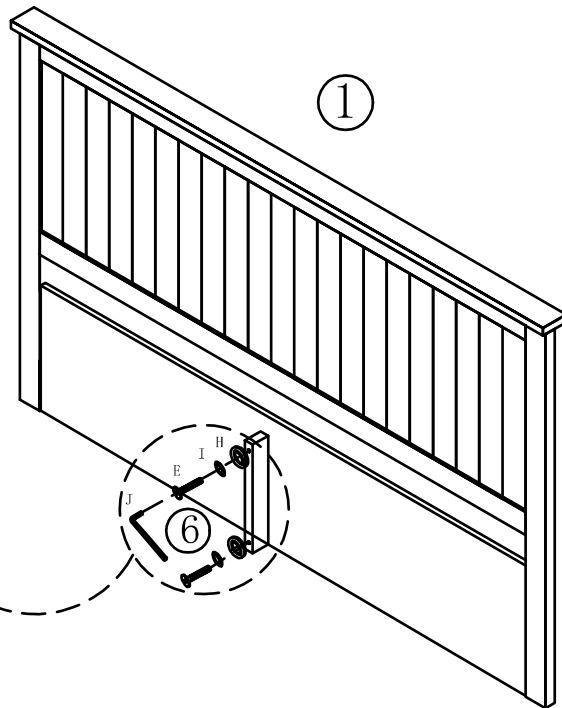
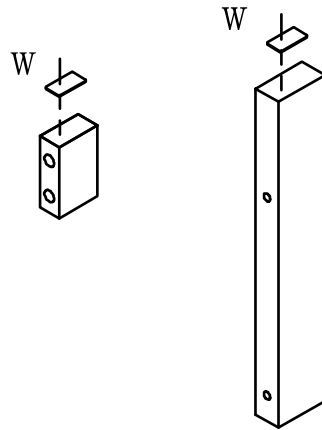
In the unlikely event that you have problems with assembling the product or have missing or damaged parts, please contact your retailer and we will assist them in rectifying the problem as quickly as possible.

Please remember we strongly urge you DO NOT use power tools such as drill or electric screwdrivers as this could cause irreparable damage to your product and will invalidate your warranty.











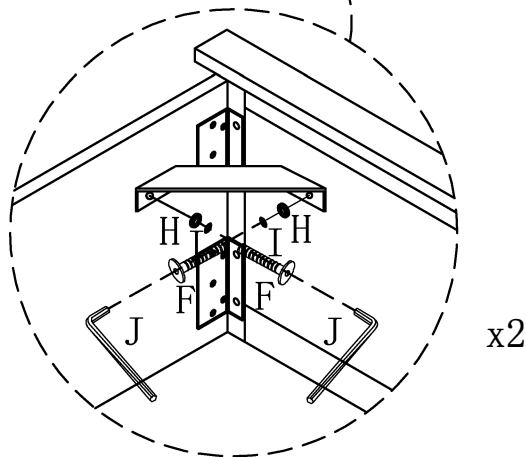
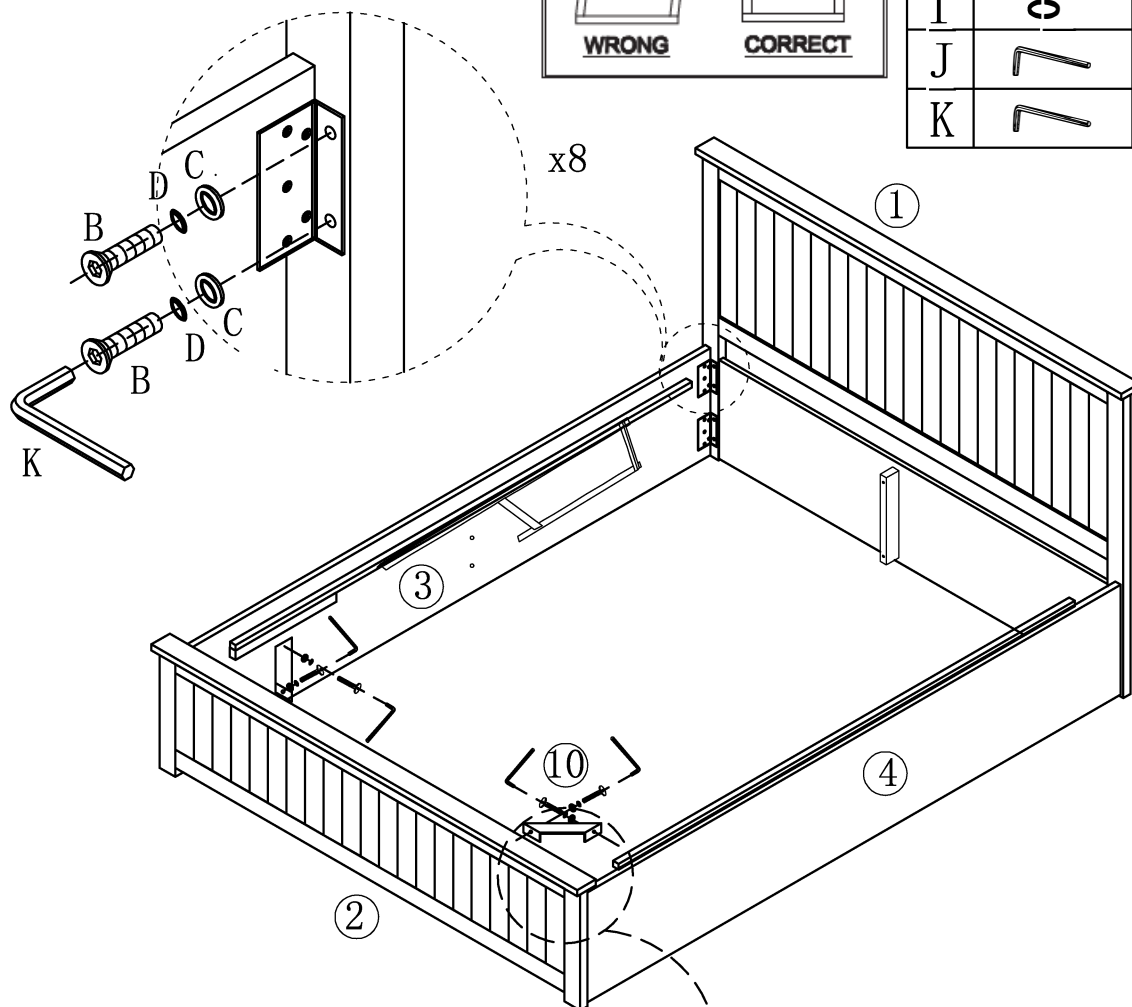
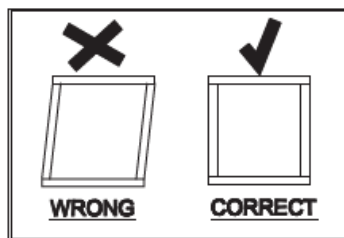
# 1

E		x4
J		x1
H		x4
I		x4
W		x2

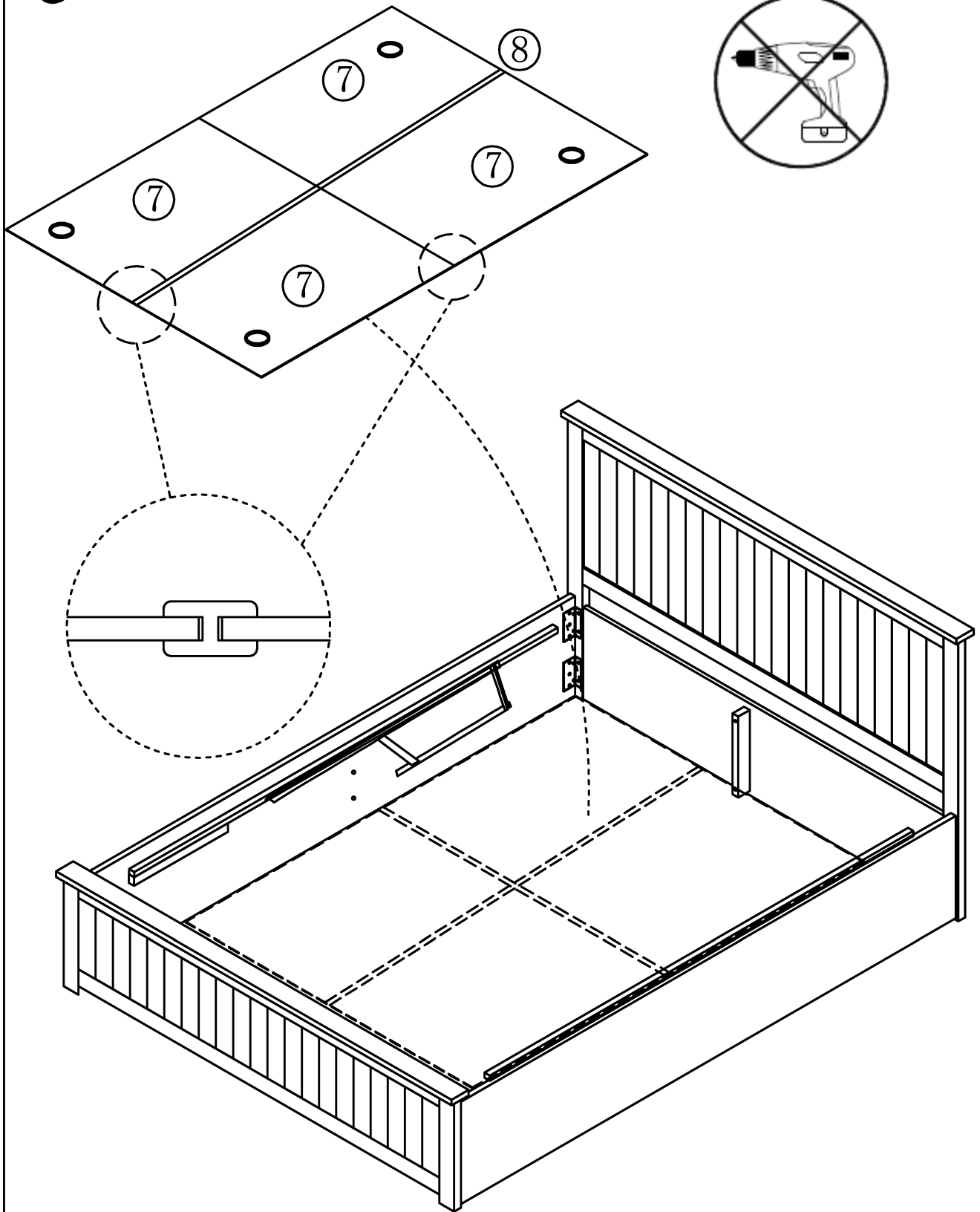


2 Before tightening the bolts, please ensure the bed frame is square.

B		x16
C		x16
D		x16
F		x4
H		x4
I		x4
J		x1
K		x1



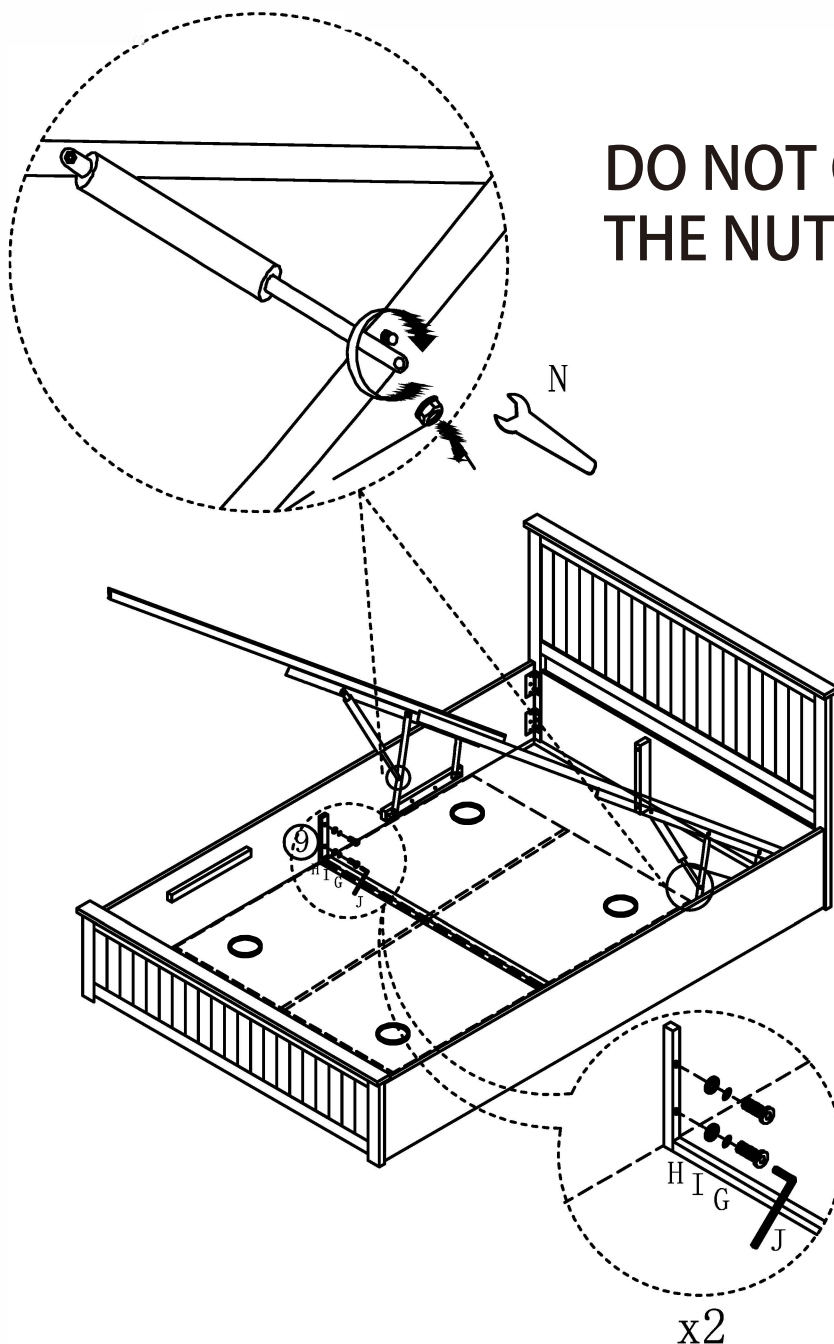
3










## 4 Secure hydraulic arms

Before connecting the hydraulic arm, ensure the lifting mechanism is functioning correctly - it should lift up and down freely with adequate clearance on all sides.

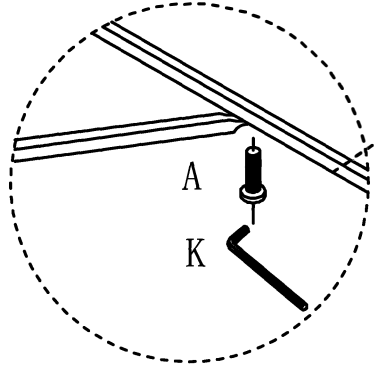
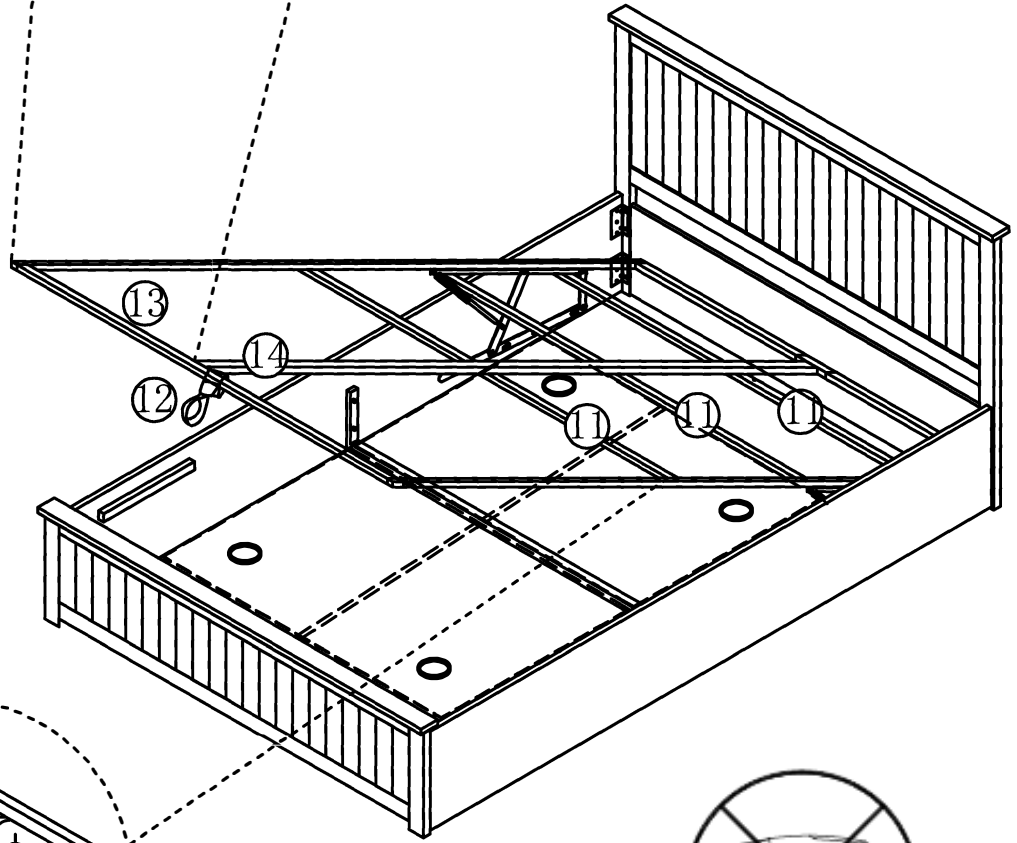
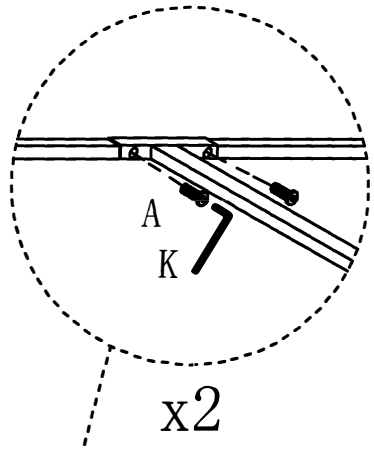
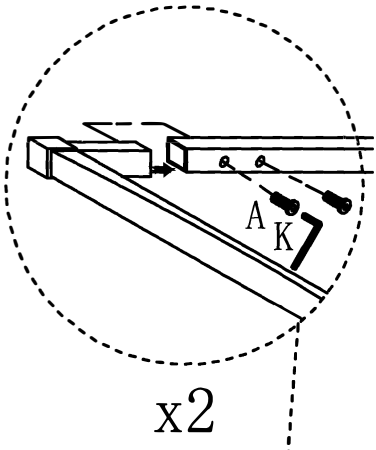


G		x4
H		x4
I		x4
J		x1
N		x1





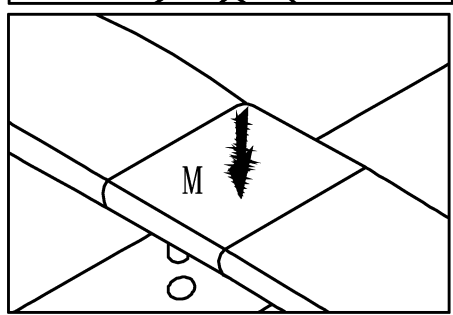
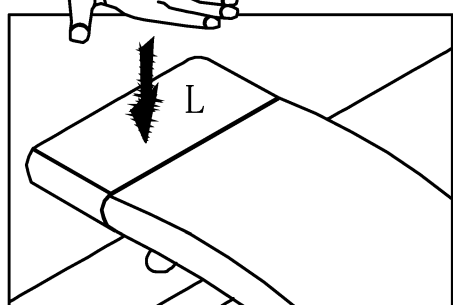
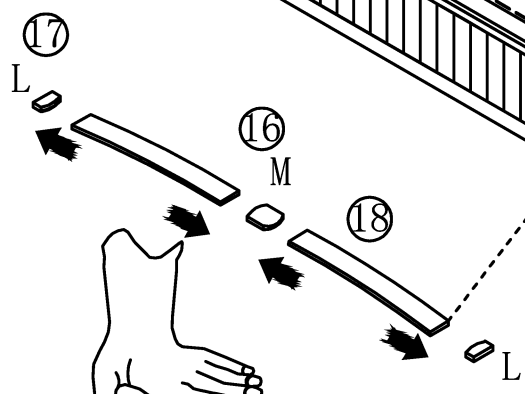
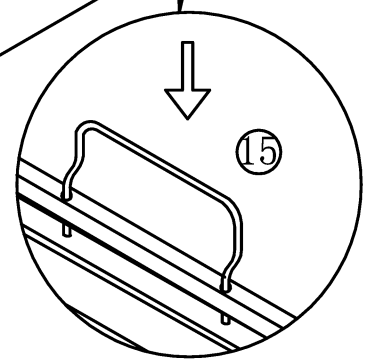
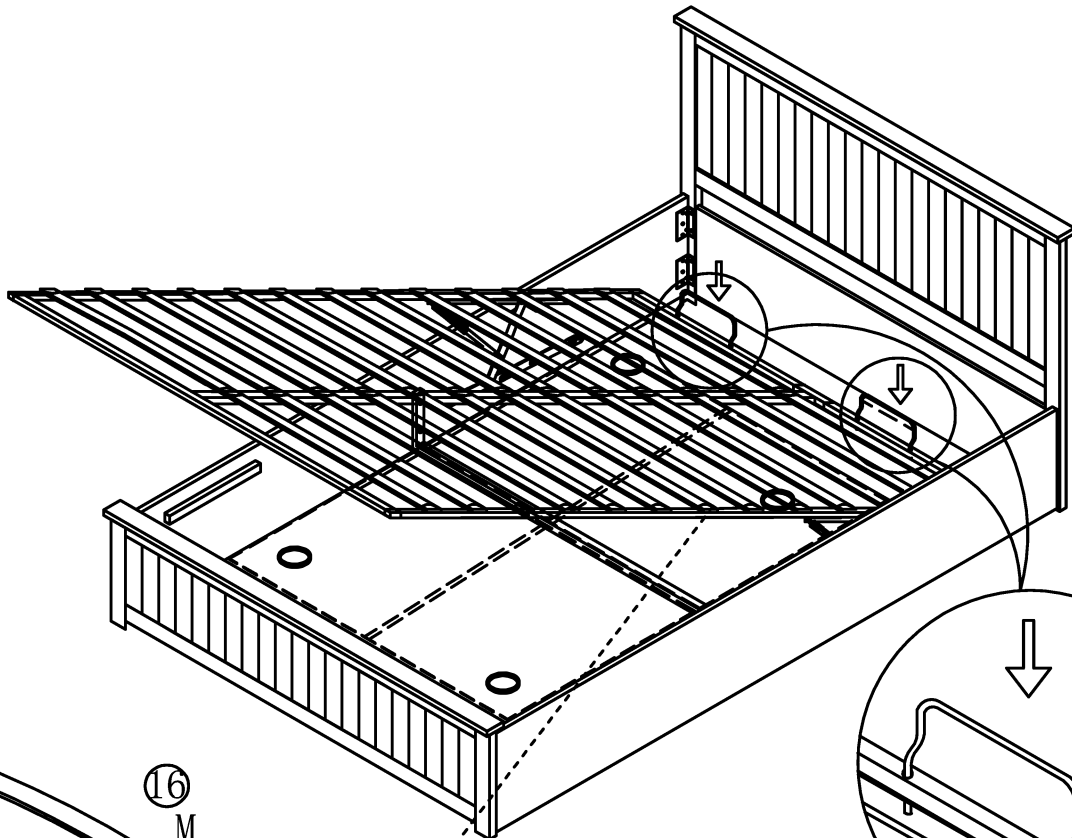
# 5

A		x18
K		x1

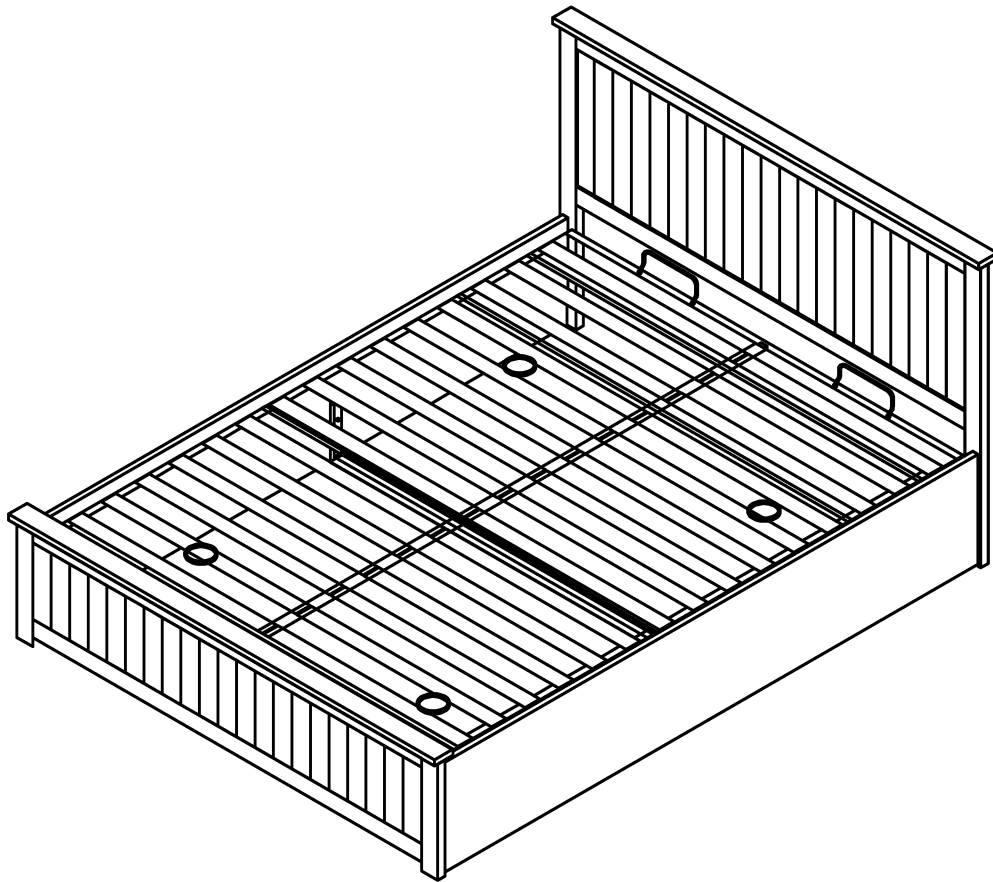


# 6

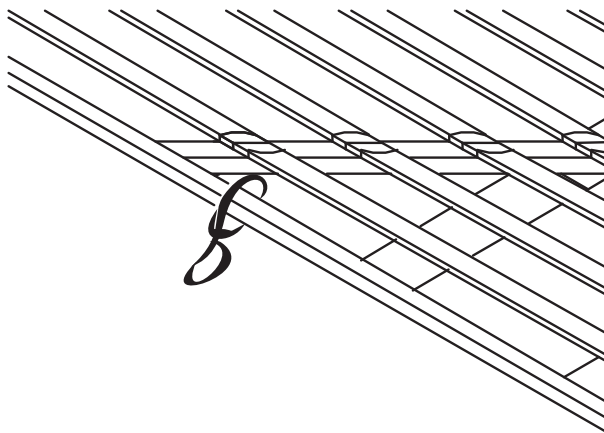
L		x32
M		x16



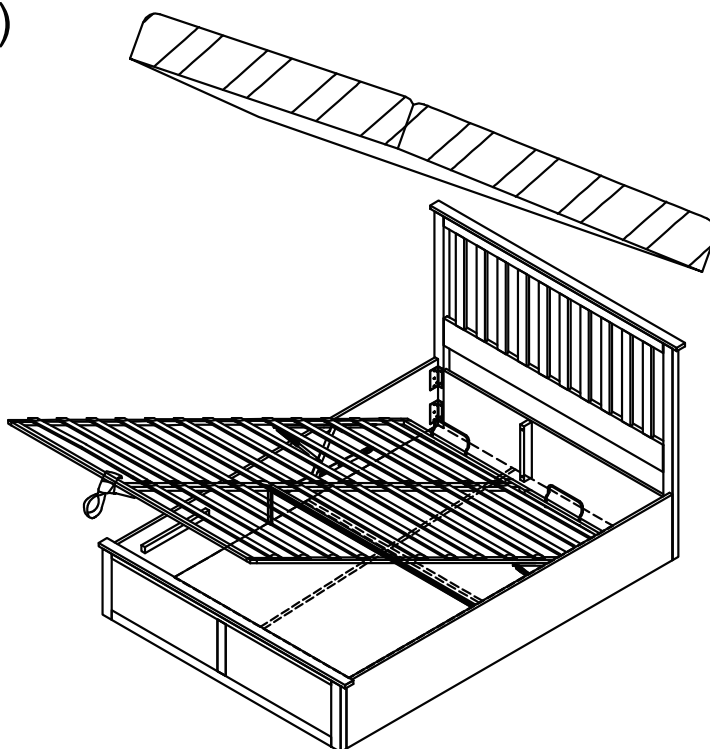
7



**8** Pull the belt tight after loop-on



**9** Place the mattress onto the frame. (MATTRESS NOT INCLUDED)



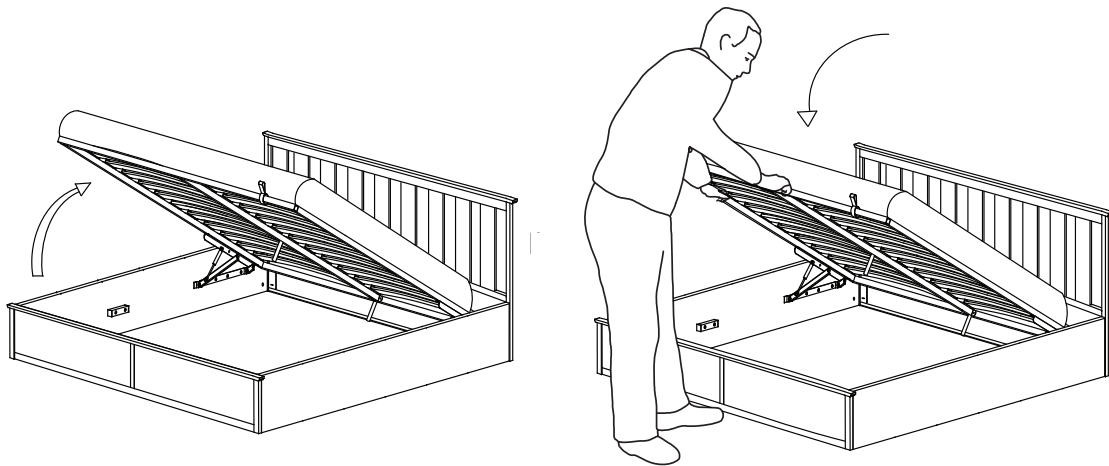
**Notes:**

It is imperative that the bed is aligned squarely to prevent the frame from catching on and damaging the side rails. Please use extra caution when opening and closing the bed, ensure a similar spacing on each side of the frame.

## Hints and Tips

To operate the ottoman, always use 2 hands at arm's length and only where illustration on this product. You must ensure the mattress is on the bed frame before lifting the mechanism. **Failure to do so may result in injury.**

To ensure your safety please do not stand too close in case the frame bounces up. The weight of the mattress loaded on the frame will keep the frame in a lower position until it is pulled upwards by the user.



Do not attempt to move the bed whilst the frame is in the upright position

If removing the mattress, make sure the frame is secured so it does not flip open. When lifting the bed frame, remove pillows and covers.

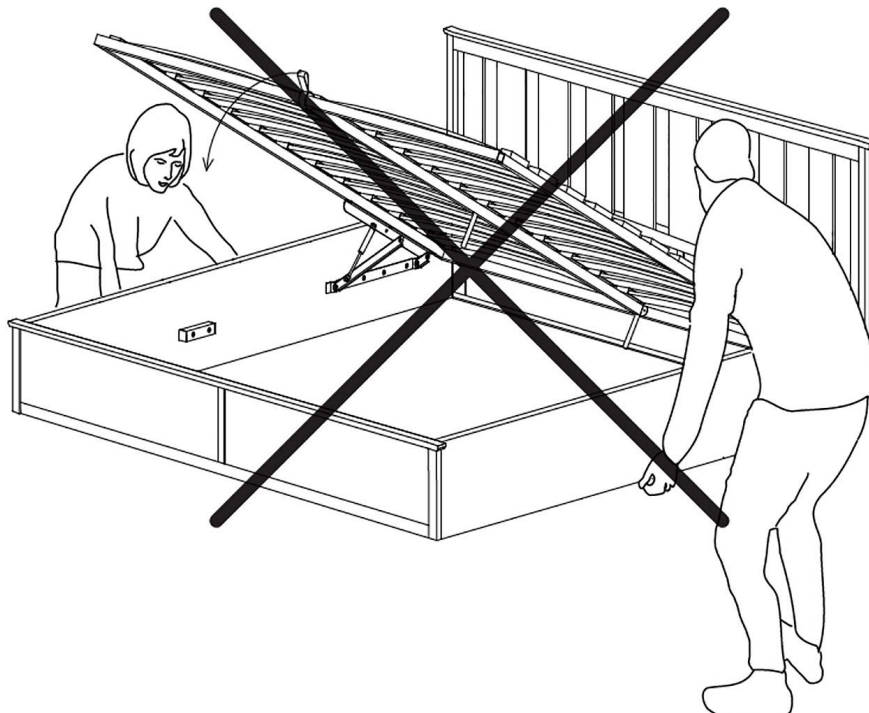
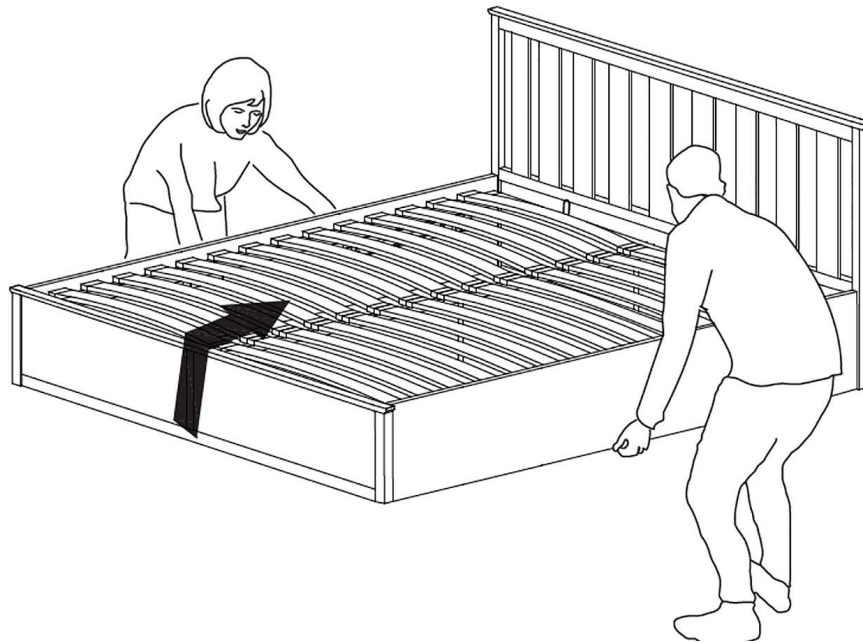
**PLEASE NOTE** - It takes a lot of force to make the initial movement of the ottoman – **THIS IS A DESIGN FEATURE OF THE PRODUCT SO THAT IT DOES NOT FALL SHUT** - and the nearer to being closed the ottoman is, the easier it is to move. When the ottoman is almost shut, it will close completely under its own weight.

When lowering the slat unit for the first time, take care to make sure it does not rub unevenly on the inside face of the Side Rail. If it does, the bed has been assembled slightly out of square. This can be rectified by moving the Footboard of the bed slightly to the left or right whilst leaving the headboard of the bed frame stationary.

### **Tip for difficulty with compression:**

If you are experiencing difficulty with the initial compression try fitting one piston at a time (following the Assembly Instructions) then press down on the side of the frame with the piston fitted - this acts like a big lever (The weight of the mattress can be used to supplement the load exerted). Effectively you are doubling the amount of force applied, because you have halved the resistance offered by the pistons. It can take slightly more effort than you might feel comfortable applying to the bed frame at first.

Do not attempt to move the bed whilst the frame is in the upright position.





Please dispose of all packaging safely.

## General Care & Maintenance

Wipe clean with a slightly damp cloth.  
Avoid the use of all household cleaners and abrasives.

Periodically check all screw & fixings to ensure they are secure.  
When moving your product, carefully lift into place. Never drag or push the product across the floor as this will cause damage to the joints. If the product is used on hard flooring, such as wood or laminated floor, you must place some protection under the legs to stop the product from moving. If this is not adhered to, it could result in failure to the product that will invalidate the warranty.

For more information on cleaning and product care visit:  
<https://www.happybeds.co.uk/help-and-advice>

## Notes

We've tried to make this product as easy to assemble as possible. In the unlikely event that you have problems putting it together or have damaged or missing pieces, please contact us by visiting:

<https://www.happybeds.co.uk/customer-service>



[www.happybeds.co.uk](http://www.happybeds.co.uk)

