

# Berlin Fabric Bed - Single

## Assembly Instructions

### Before you begin...

1. Please check you have received the correct product.
2. Unpack all boxes and lay out each component on the floor.
3. Check your product for any damage that may be immediately obvious. If damage is identified, please contact your retailer.
4. Please read through these instructions thoroughly to ensure you have constructed your bed correctly.

### For Care and Maintenance of your bed...

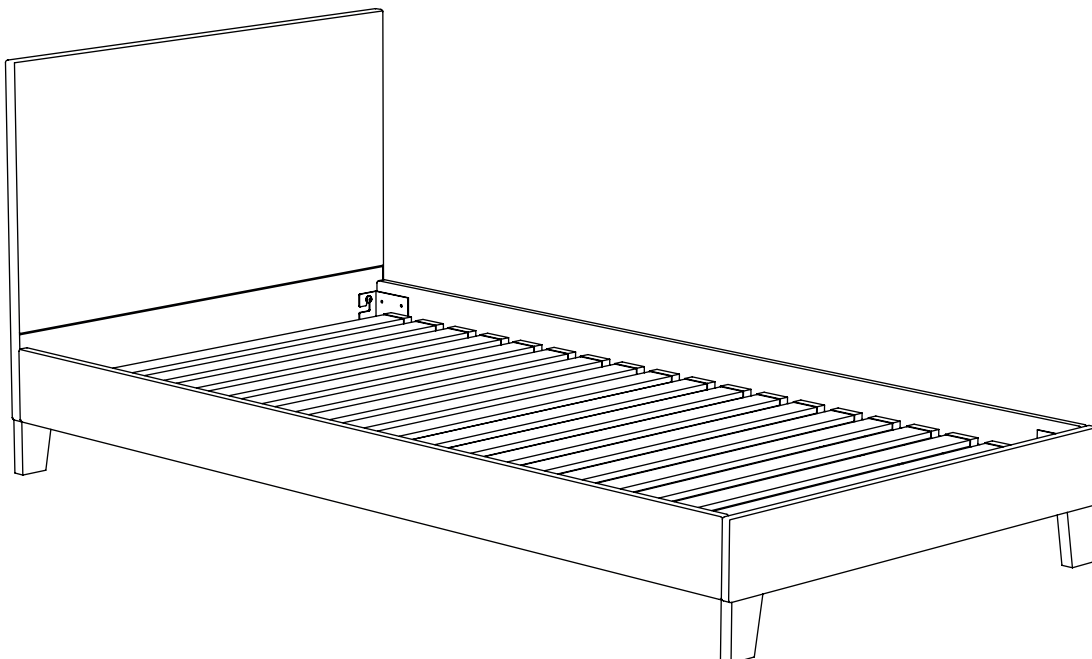
- Always assemble in your desired room of use.
- Check all screws and fixings periodically to ensure they are still secure.
- Do not push or pull this bed as it will cause damage.
- Always lift this bed with a second person to prevent damage or injury.
- Keep any sharp objects away from this bed frame.

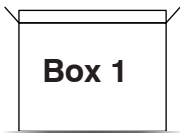
### For your Health and Safety...

- Please don't not jump on this bed.
- Do not use this bed if you find missing, damaged or worn parts. Please contact the retailer you purchased the bed from.
- Please do not use this bed until you have fully secured all fixings.
- Please keep all small components away from children.
- Please ensure this bed is on an even, level surface.

### Also...

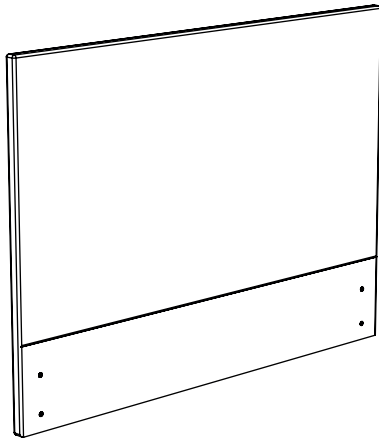
If your desired room of choice has a non-carpeted surface please ensure that you use some form of protection and **do not** place directly on the wooden floor. This will prevent the bed from moving and therefore collapsing which will void your guarantee..



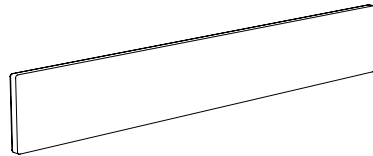


**Box 1**

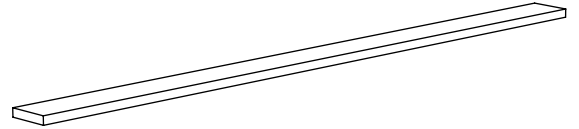
All fittings are stored within the zipped compartment of the headboard.



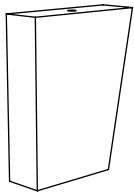
**A. Headboard (x1)**



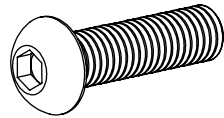
**B. Footboard (x1)**



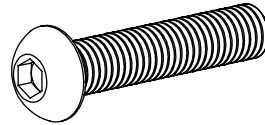
**C. Slats (x13)**



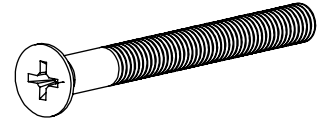
**D. Legs (x4)**



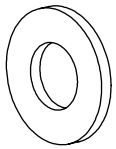
**E. M8x30mm Bolts (x8)**



**F. M8x70mm Bolts (x4)**



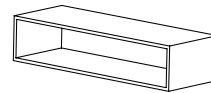
**G. Screws (x4)**



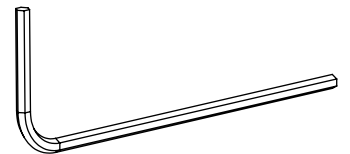
**H. Flat Washer (x8)**



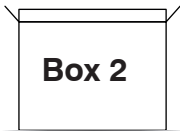
**I. Spring Washer (x8)**



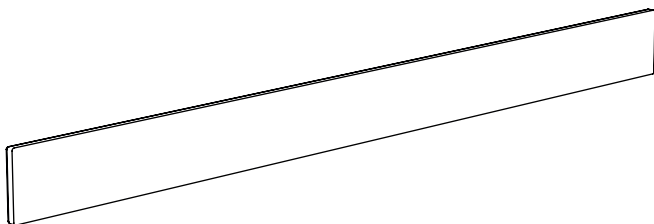
**J. Slat Caps (x26)**



**K. M5 Allen Key (x1)**



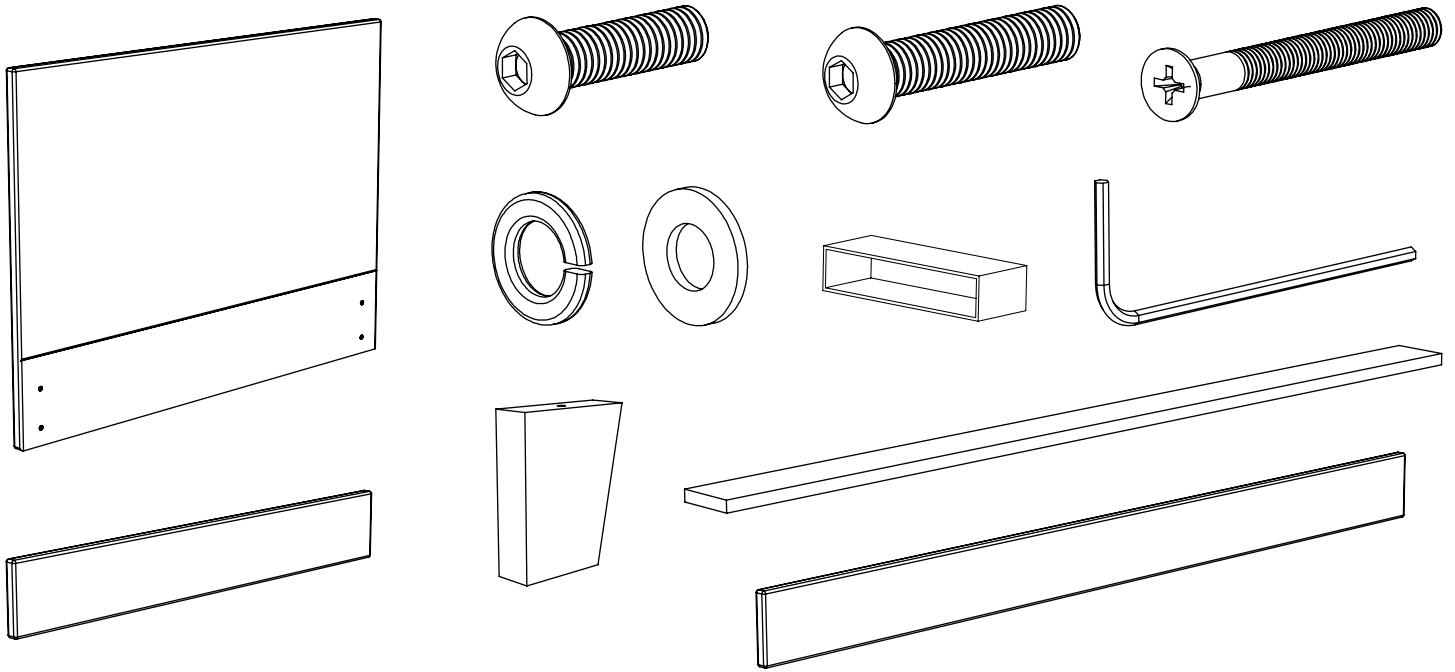
**Box 2**



**L. Side Rails (x2)**

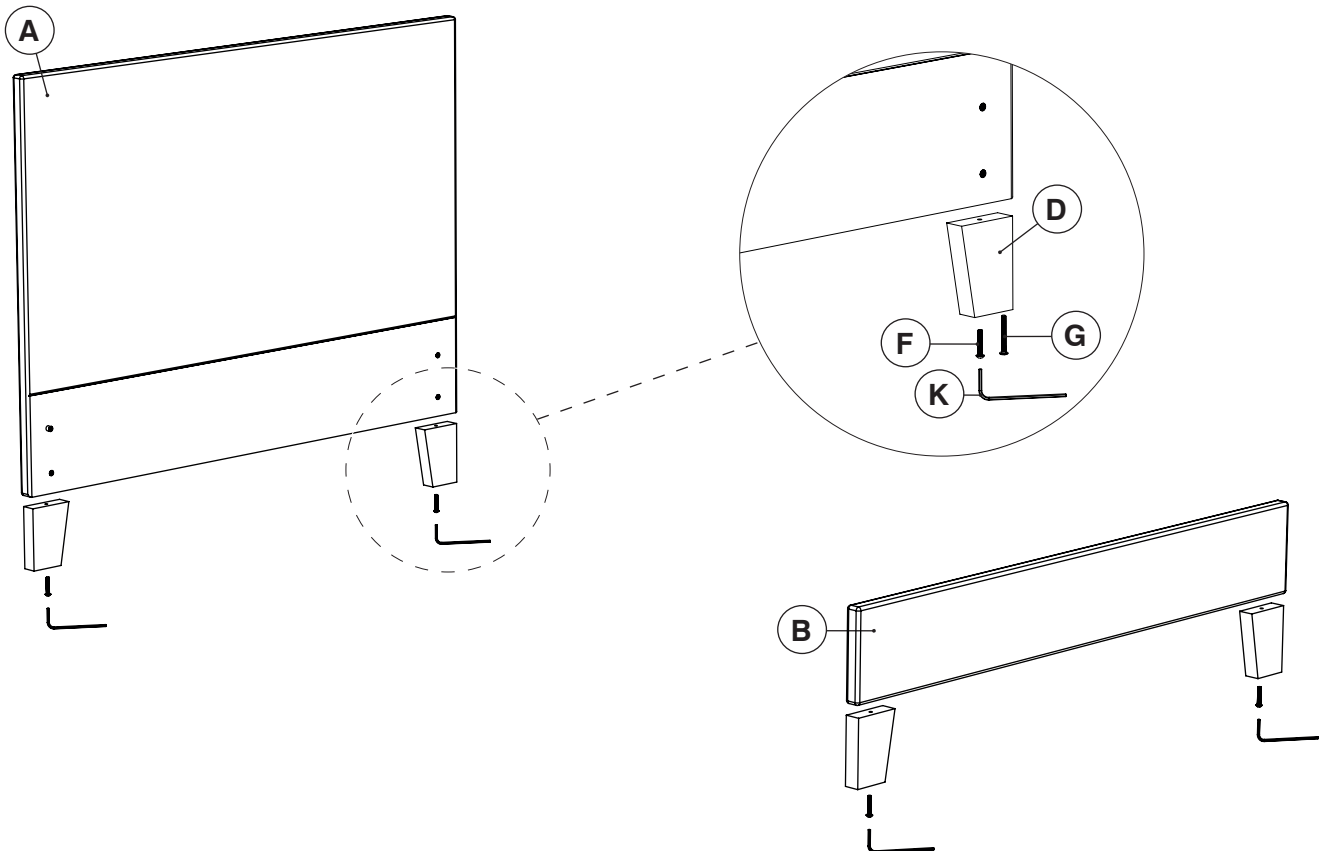
# Step 1

Unpack all components from the boxes and check you are not missing anything. Please check these against the list on page 3 and note that some components are stored within the *zipped compartment* at the rear of the headboard. Should you identify any missing components, please contact the retailer you purchased the bed from.



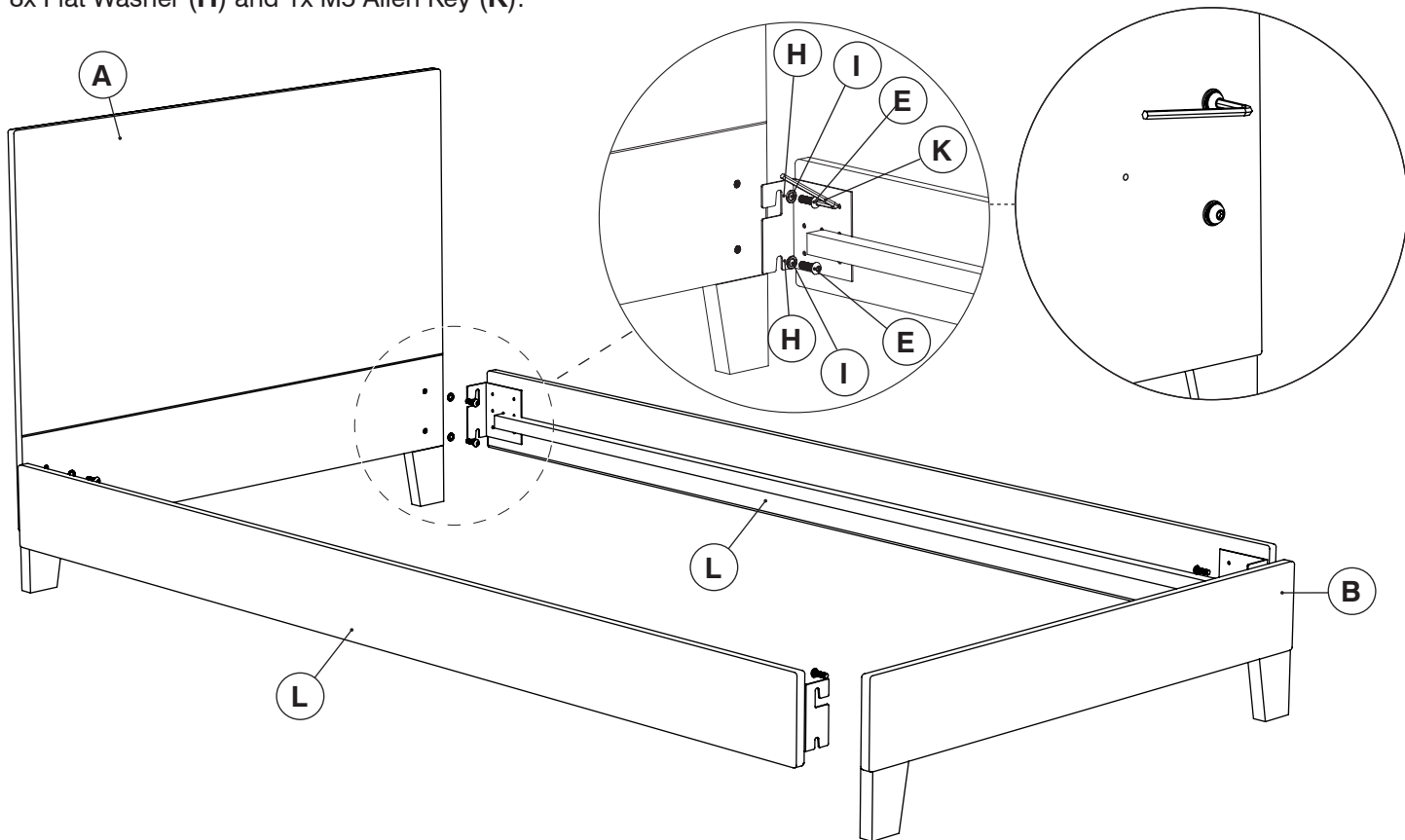
# Step 2

Attach 2x Legs (D) to the 1x Headboard (A) and then attach 2x Legs (D) to the 1x Footboard (B) using the Allen Key (K), 4x M8x70mm Bolts (F), Screws (G) and Screwdriver (Not provided). Please do not use any *power tools* for this assembly as it will void your guarantee.



## Step 3

Attach 2x Side Rails (L) to 1x Headboard (A) and 1x Footboard (B) using 8x M8x30mm Bolt (E), 8x Spring Washer (I), 8x Flat Washer (H) and 1x M5 Allen Key (K).



## Step 4

Slot each Slat Cap (J) on to the end of each Slat (C). Press firmly into each Slat Rail (SR) located on the inside of Side Rail.

