



**ASSEMBLY INSTRUCTIONS**  
**90CM APPLEBY BED WHITE**

**IMPORTANT : READ THESE INSTRUCTIONS CAREFULLY BEFORE ATTEMPTING TO ASSEMBLE OR USE YOUR 90CM APPLEBY BED WHITE.**

**PLEASE KEEP THESE INSTRUCTIONS FOR FUTURE REFERENCE.**

**ASSEMBLY:**

Assembly should be carried out with this item laying flat, not standing upright.

Assemble on a soft, clean surface to prevent damages.

To erase the numbers printed on the pieces, use the rubber inside the accessories pack.

**HEALTH & SAFETY:**

DO NOT use this product if any parts are missing, damaged or worn.

DO NOT use this product unless all fixings are secured.

Always use on a level, even surface.

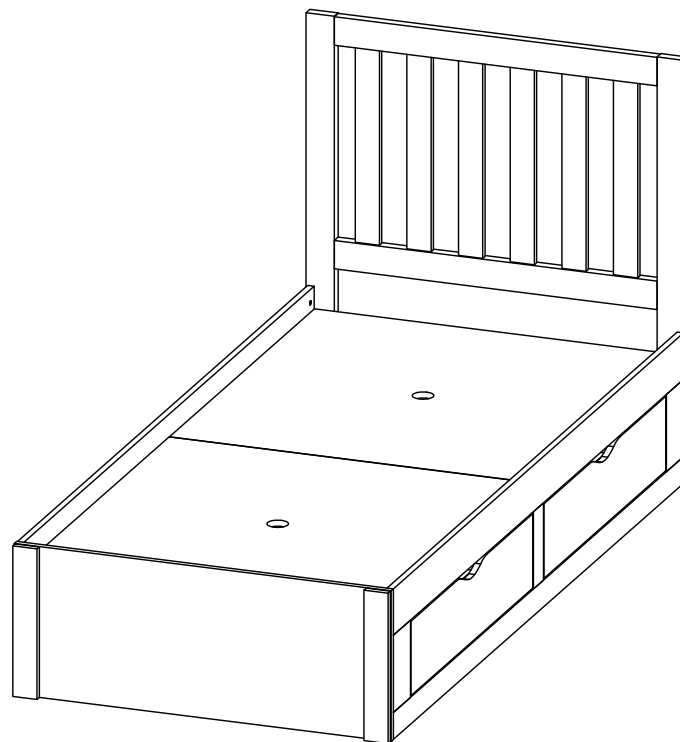
**CARE & MAINTENANCE:**

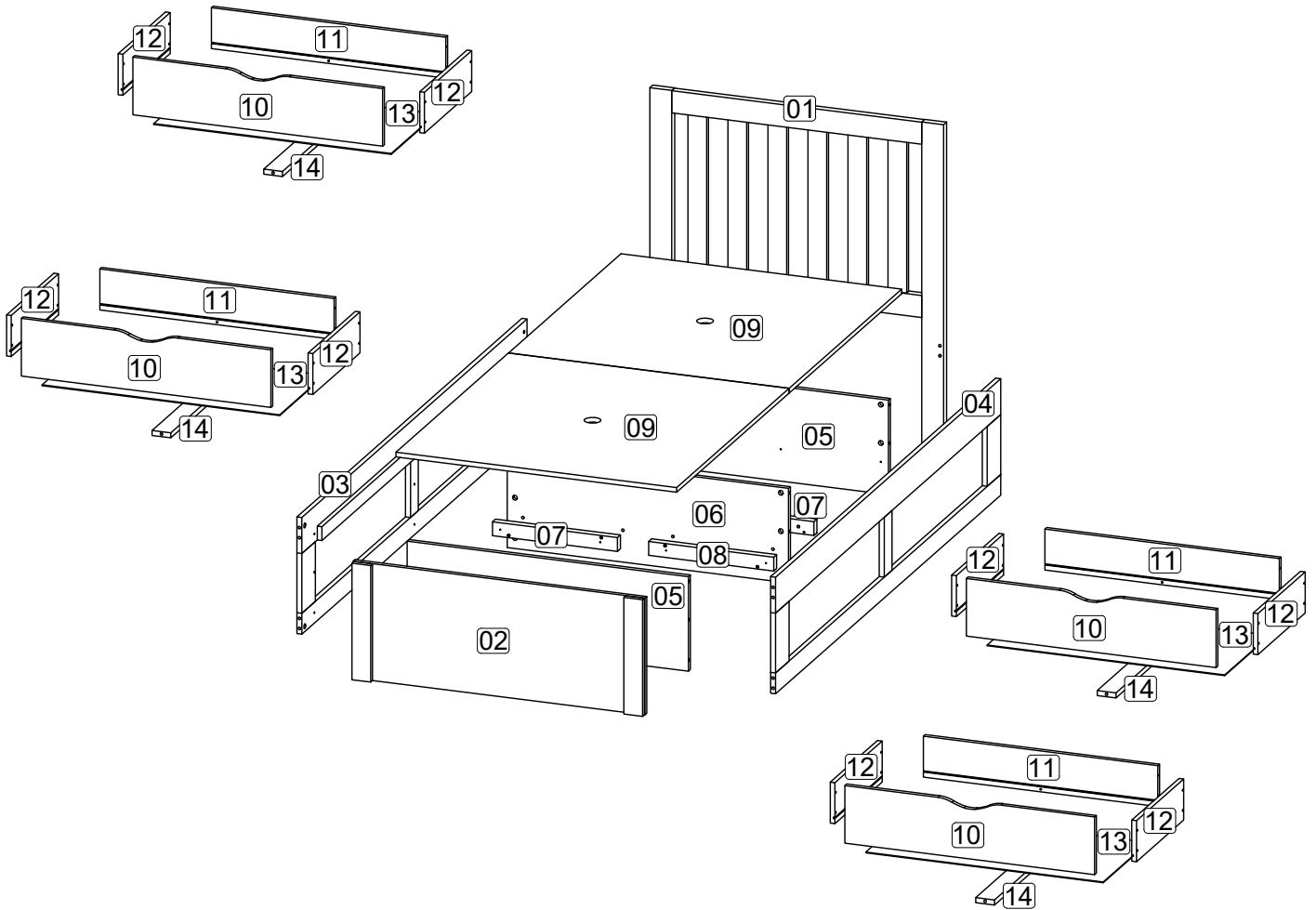
Periodically check all screws & fixings to ensure they are secure.

DO NOT push this product as this will cause damage.


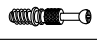





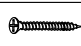
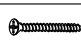



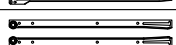

Always lift this product with two people to repositions.

Keep any sharp objects away from this product.





Parts List			
Part	Description	Box	Qty
01	Headboard	2	1
02	Footboard	3	1
03	Bedside (L)	1	1
04	Bedside (R)	1	1
05	Middle Panel (L/R)	1	2
06	Middle Panel (Center)	1	1
07	Middle Bone (L)	2	2
08	Middle Bone (R)	2	2
09	Bed Board	2	2
10	Drawer Front	3	4
11	Drawer Back	3	4
12	Drawer Side	2	8
13	Drawer Bottom	2	4
14	Drawer Bone	3	4

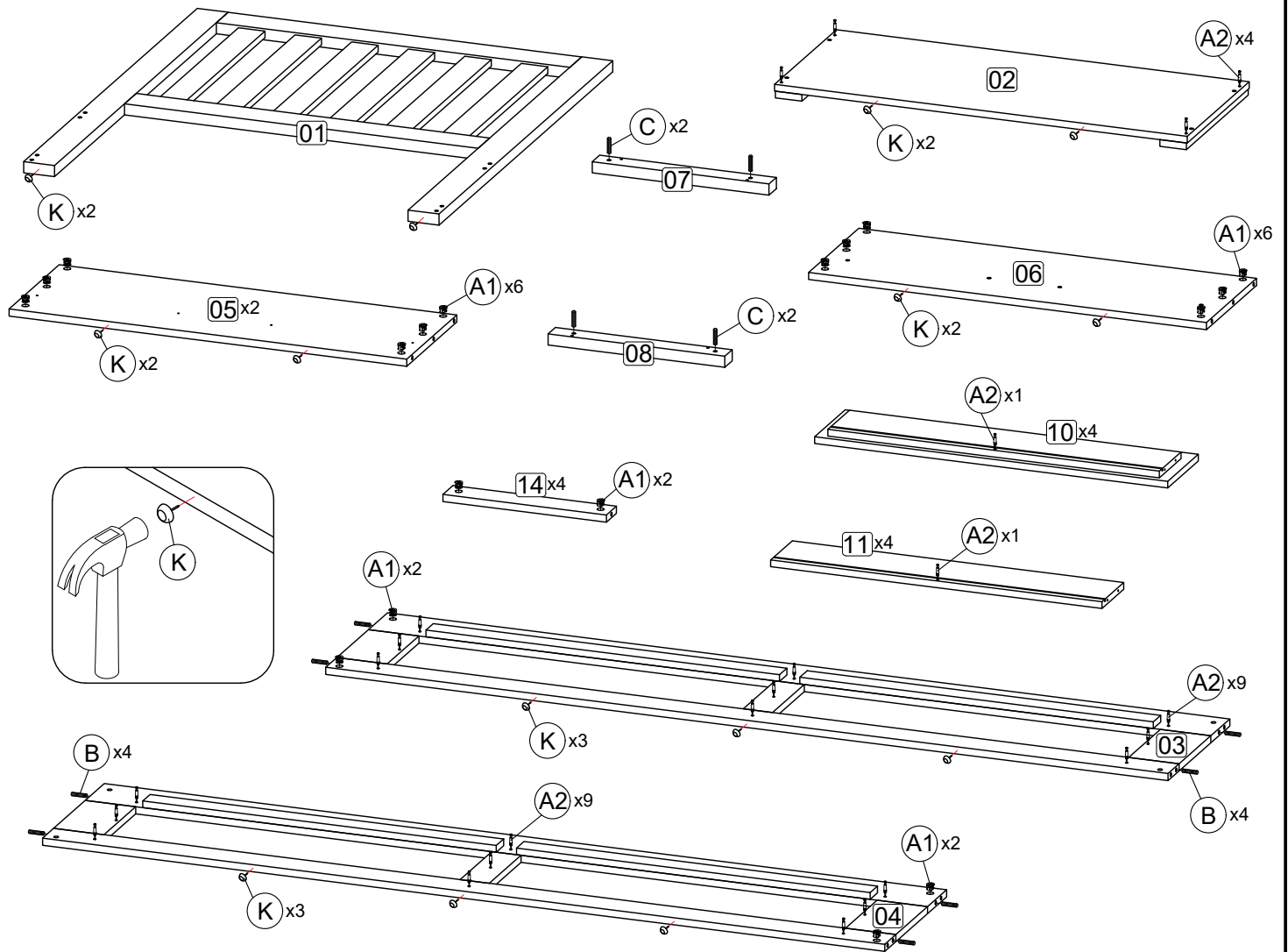
Hardware List ( BOX 1 )			
Part	Description		Qty
A1	Cam lock		30
A2	Minifix screw		30
A3	Plastic cap		30
B	M8 x 30mm Wood Dowel		8
C	M8 x 40mm Wood Dowel		4
D	Allen key M4		1
E	M3.5 x 16mm C.B Screw		48
F	M4 x 32mm C.B Screw		8
G	M4 x 38mm C.B Screw		32
H	JRN Nut		4
I	JCBC screw M6 x 40mm		4
J1	16" Drawer slide (Left / Right)		4
J2	16" Drawer slide (Left / Right)		4
K	5/8 PVC Nail Leg		16

\*\* You will need a small mallet and a screwdriver for assembly.

\*\* Some screws and wooden dowel may remain.

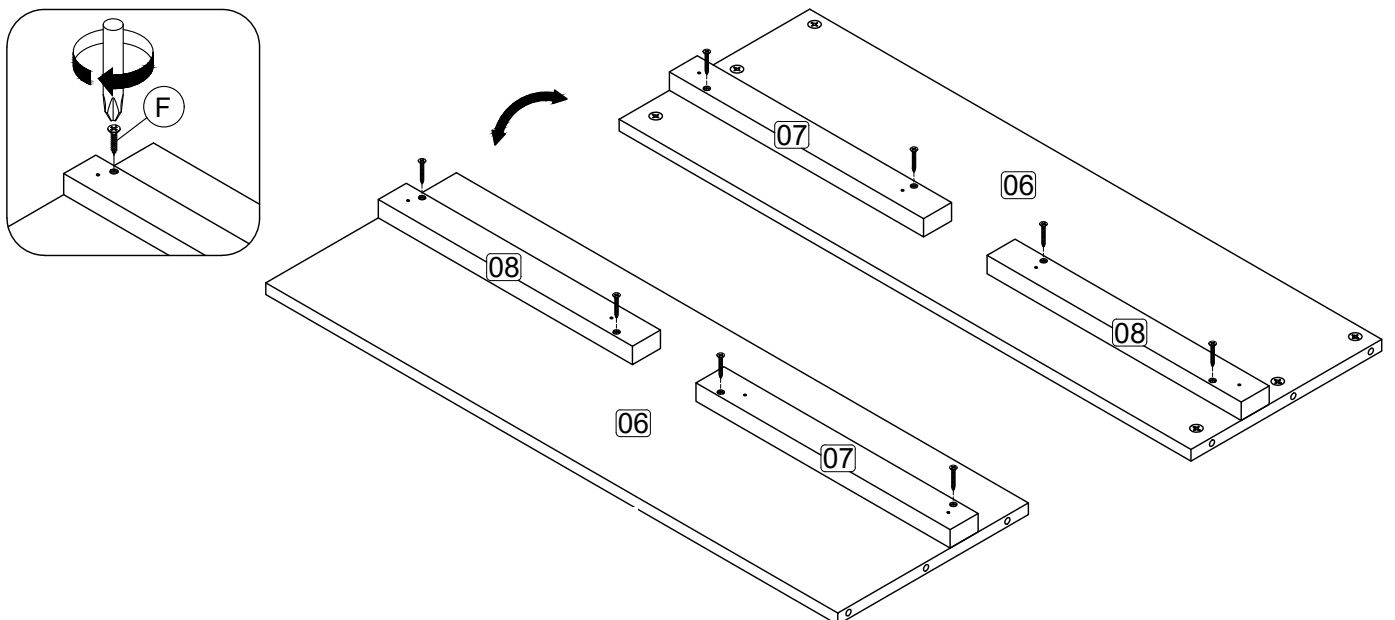
**Step 1:** Prepare these parts for assembly using hardware parts A1, A2, B, C, D and K.

**DO NOT use any power tools as this may damage the frame and will invalidate any claim.**

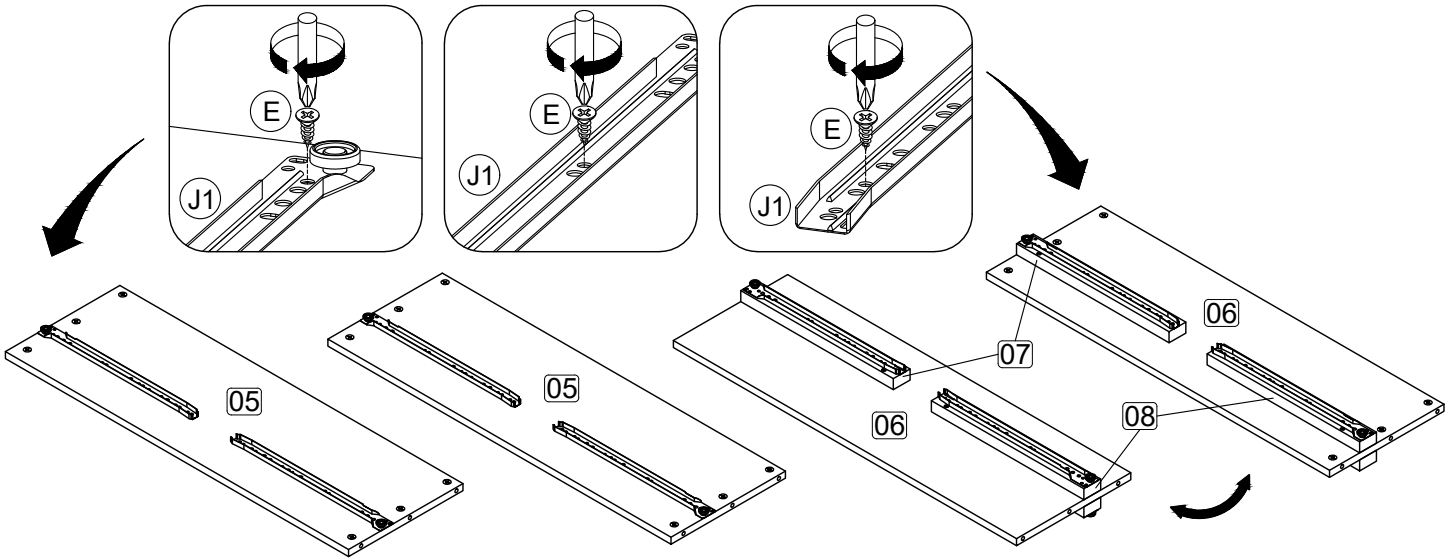


**Step 2:** Attach panel (7) and (8) to panel (6) using hardware F with a screwdriver (not provided).

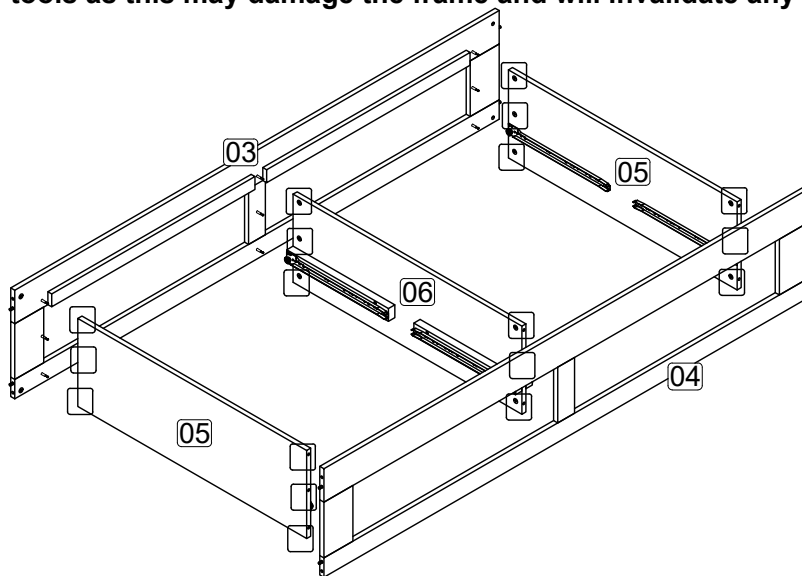
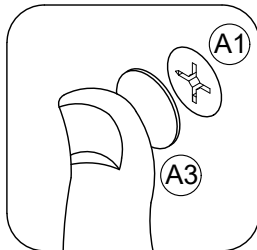
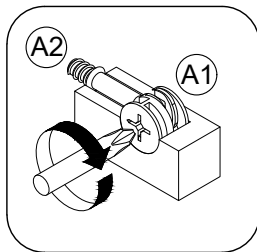
**DO NOT use any power tools as this may damage the frame and will invalidate any claim.**



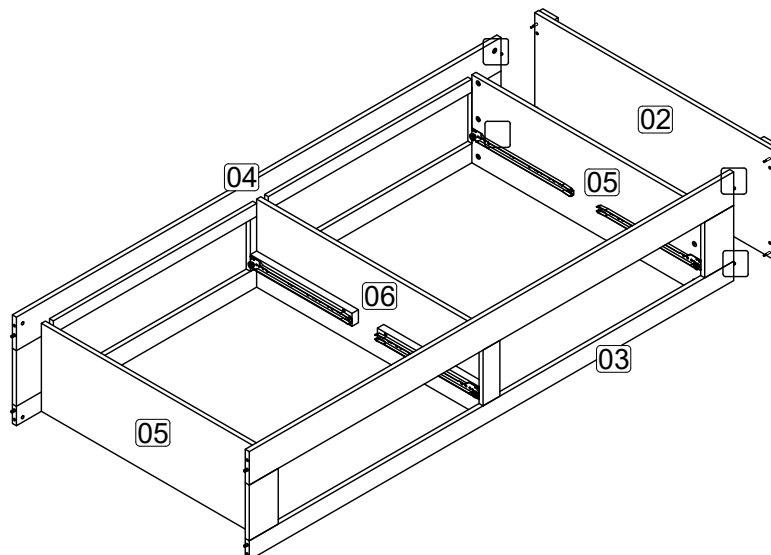
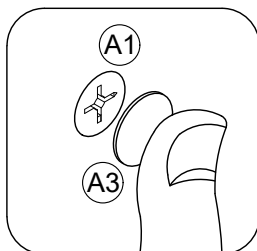
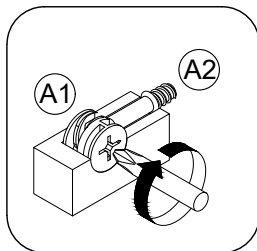
**Step 3:** Fix hardware J1 into panel (5), (7) and (8) using hardware E with a screwdriver (not provided).  
**DO NOT use any power tools as this may damage the frame and will invalidate any claim.**



**Step 4:** Attach panel (3) and (4) to panel (5) and (6) using hardware A1 and A2 with a screwdriver (not provided).  
**DO NOT use any power tools as this may damage the frame and will invalidate any claim.**

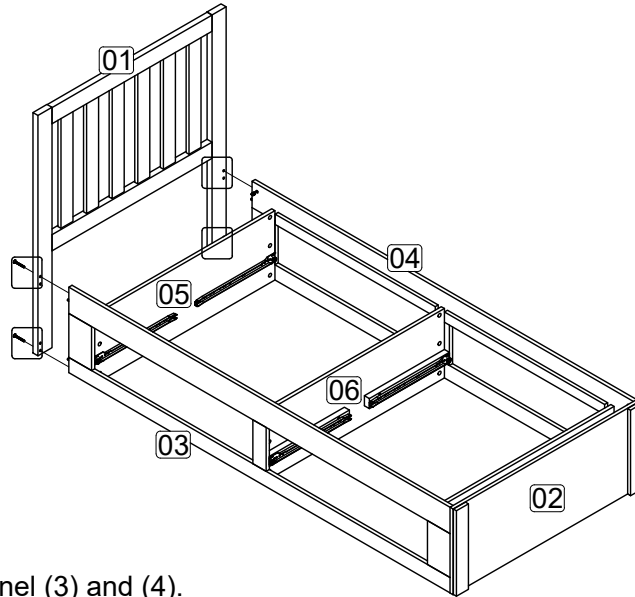
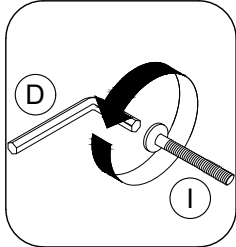
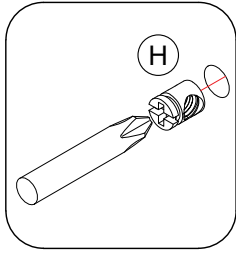


**Step 5:** Attach panel (3) and (4) to panel (2) using hardware A1 and A2 with a screwdriver (not provided).  
**DO NOT use any power tools as this may damage the frame and will invalidate any claim.**



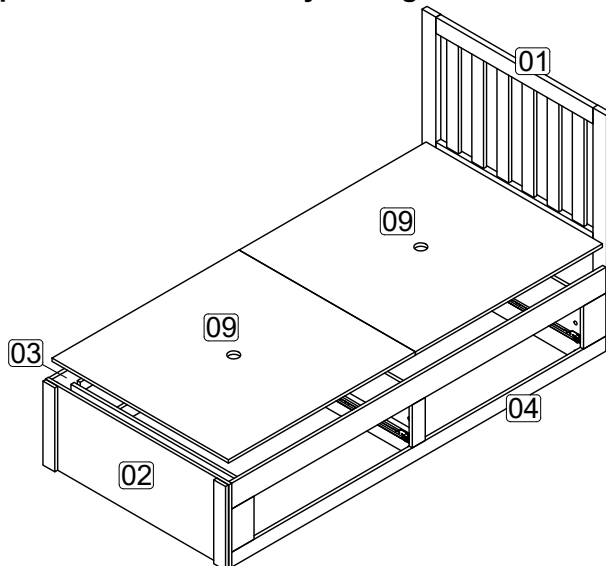
**Step 6:** Attach panel (1) to panel (3) and (4) using hardware D, H and I.

**DO NOT use any power tools as this may damage the frame and will invalidate any claim.**



**Step 7:** Assemble panel (9) between panel (3) and (4).

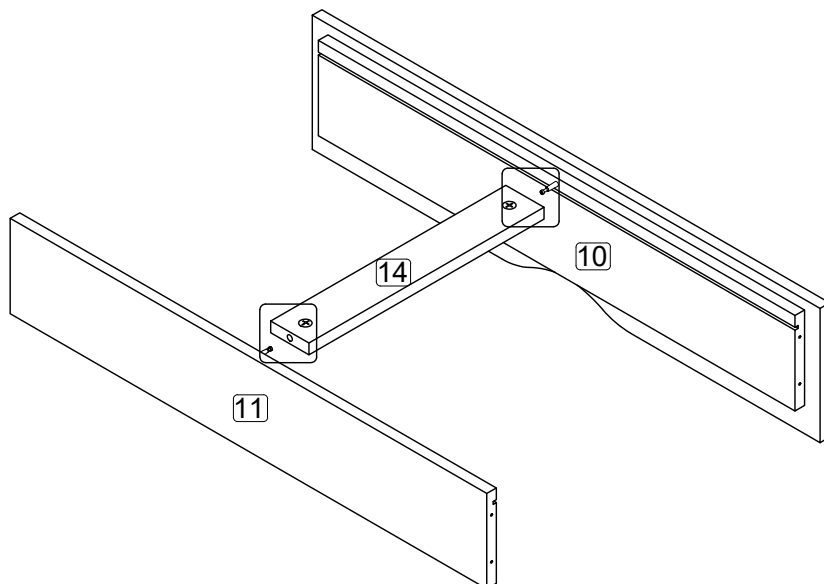
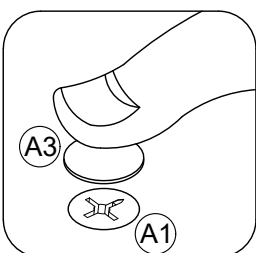
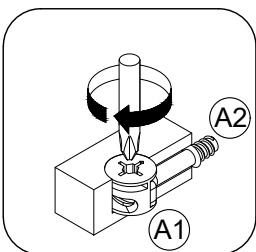
**DO NOT use any power tools as this may damage the frame and will invalidate any claim.**



**Step 8:** Attach panel (14) to panel (10) and (11) using hardware A1 and A2 with a screwdriver (not provided).

In this step only show one of the drawers.

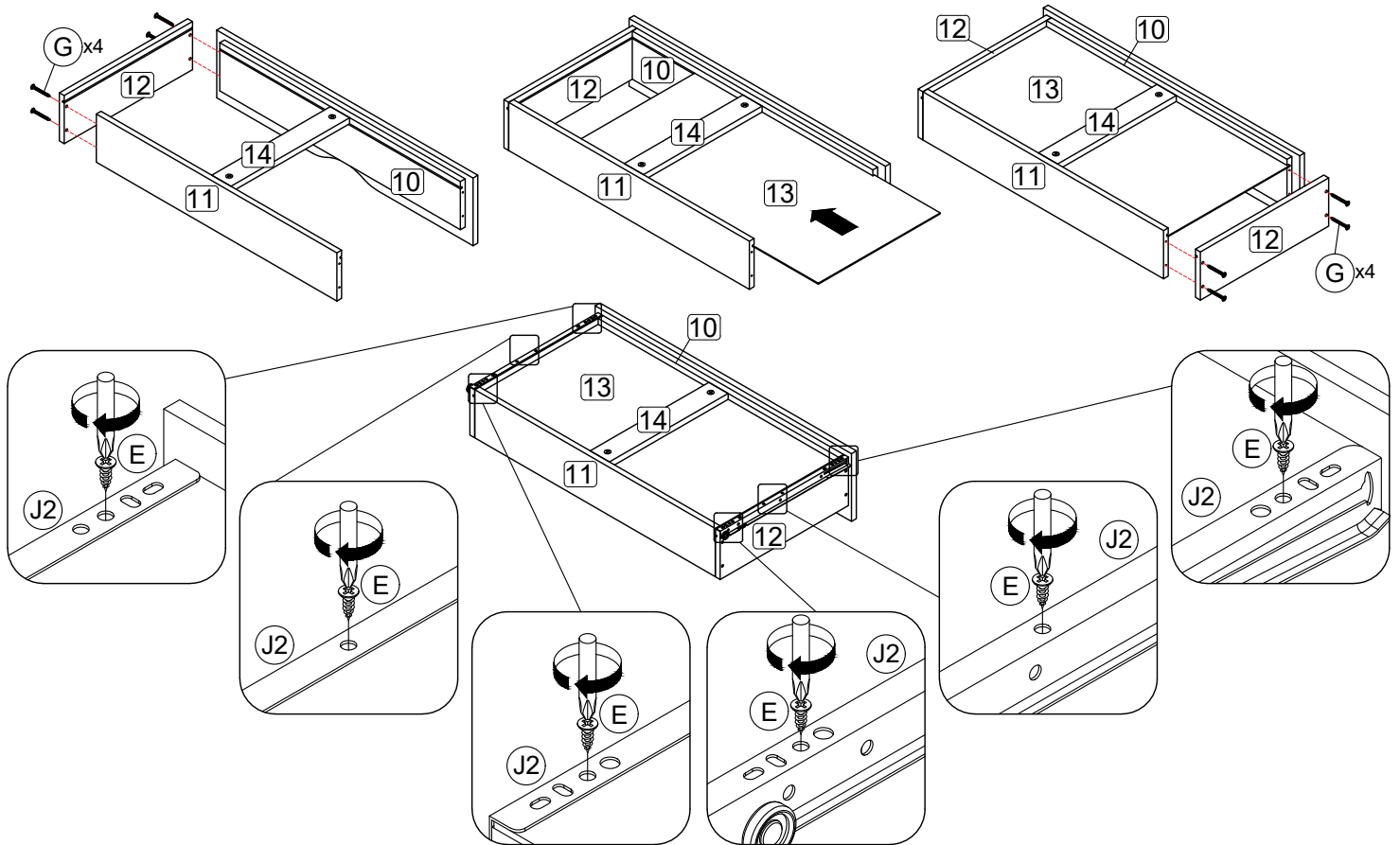
**DO NOT use any power tools as this may damage the frame and will invalidate any claim.**



**Step 9:** Assemble the drawer components using hardware E, G and J2.

In this step only show one of the drawers.

**DO NOT use any power tools as this may damage the frame and will invalidate any claim.**



**Step 10:** Assemble the drawer in place along the drawer slides.

**DO NOT use any power tools as this may damage the frame and will invalidate any claim.**

