



happybeds

## ASSEMBLY INSTRUCTIONS

### BRIXTON BED

**IMPORTANT: READ THESE INSTRUCTIONS CAREFULLY BEFORE ASSEMBLING OR USING THIS PRODUCT.**

**PLEASE KEEP THESE INSTRUCTIONS FOR FUTURE REFERENCE.**

#### **HEALTH & SAFETY:**

DO NOT jump on this bed frame.

DO NOT use this bed frame if any parts are missing, damaged or worn.

DO NOT use this bed frame unless all fixings are secured.

Please keep small parts out of reach of children.

Always use on a level, even surface.

**WARNING:** If this bed is placed on a non-carpeted floor you must place some protection under all legs to stop the bed frame from moving. If this is not adhered to there is no guarantee if the bed frame collapses.

#### **CARE & MAINTENANCE:**

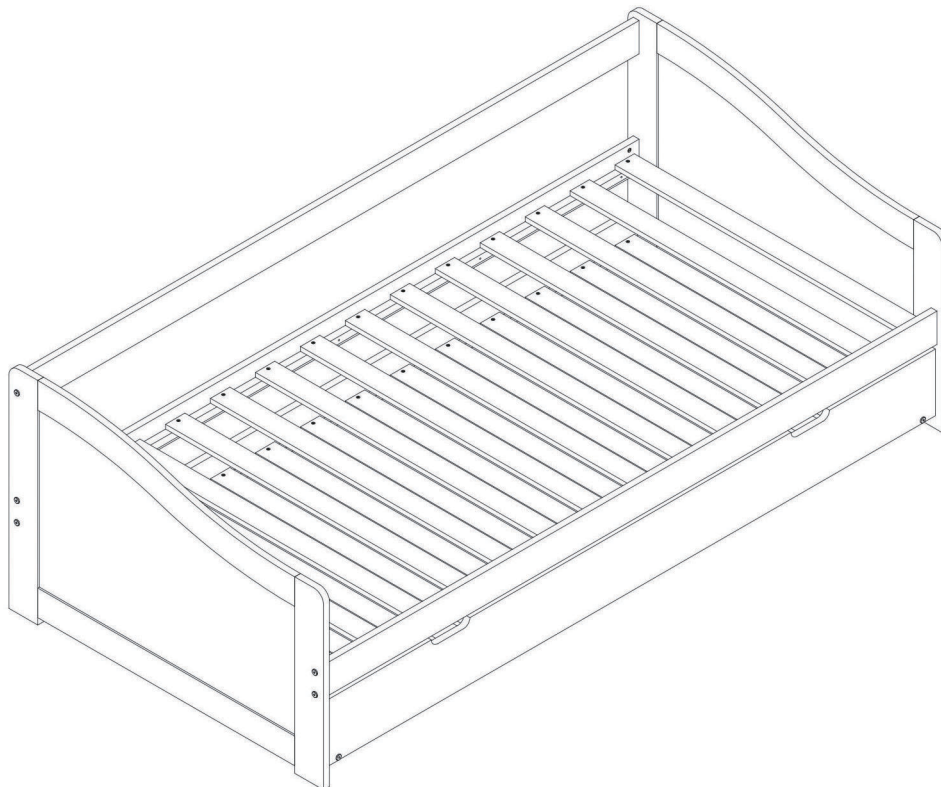
Assemble in the room of use.

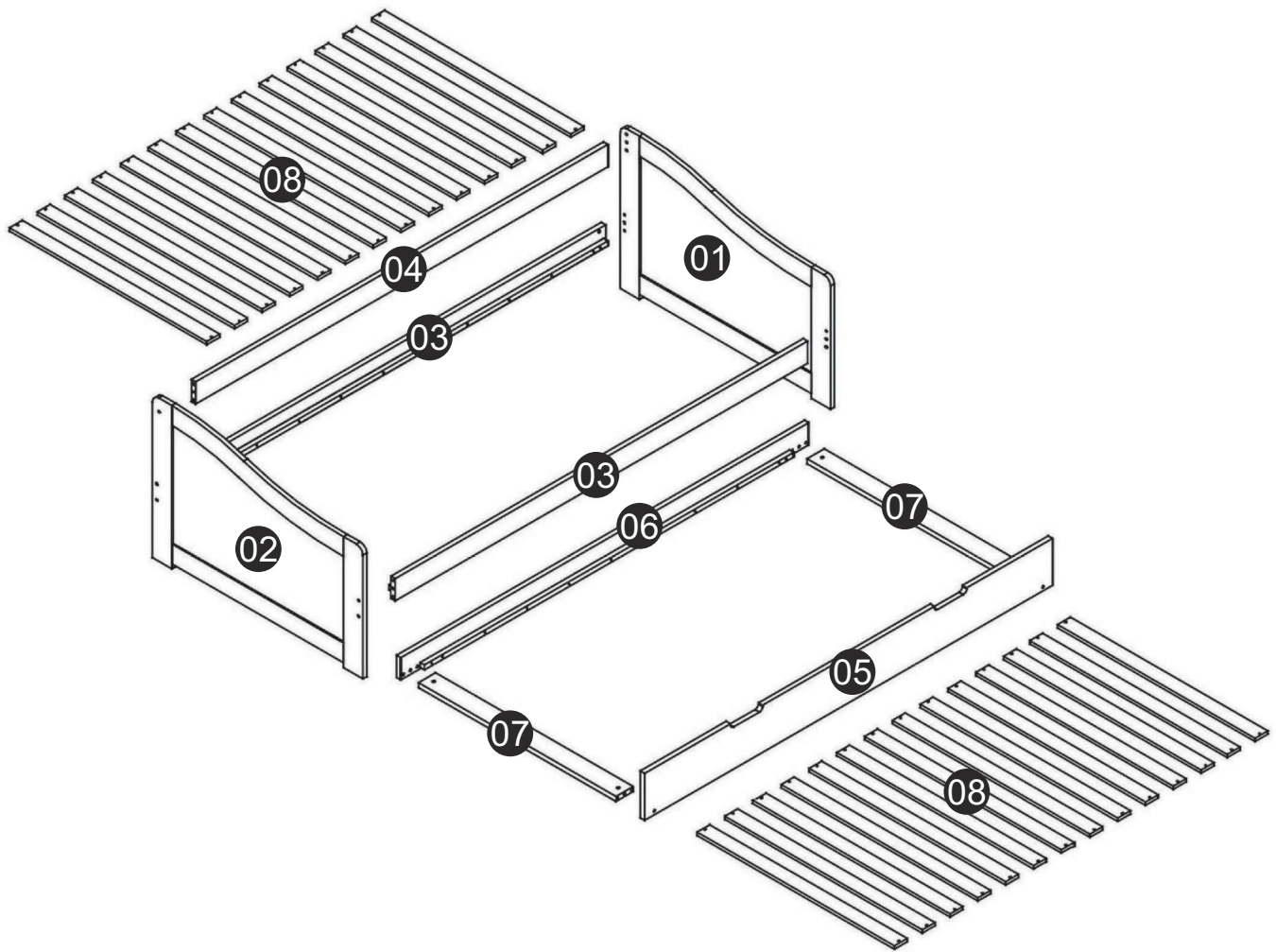
Periodically check all screws & fixings to ensure they are secure.

DO NOT push the bed frame as this will damage the legs.

Always lift the bed with two people to reposition.

Keep any sharp objects away from the frame.












## PARTS LIST (Bed)

01	Right frame	1	03	Siderail	2
02	Left frame	1	04	Top back panel	1

## PARTS LIST (Trundle)

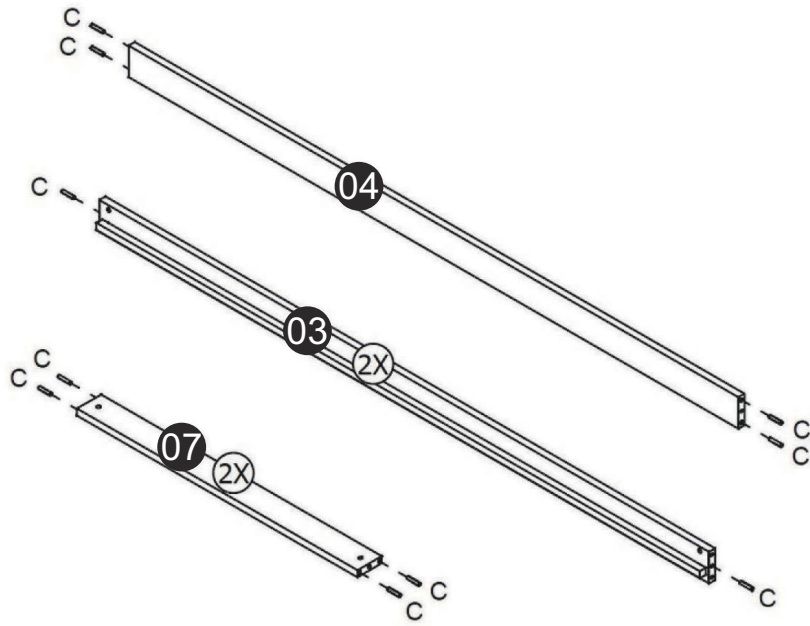
05	Front side rail	1	07	Rail support	2
06	Rear side rail	1	08	Slats	28

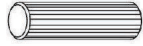
## HARDWARE

A	 M6x70mm	14	E		4
B		14	F	 $\Phi$ 4x16mm	8
C	 $\Phi$ 8x30mm	16	G	 $\Phi$ 4x30mm	56
D		1			

## STEP 1

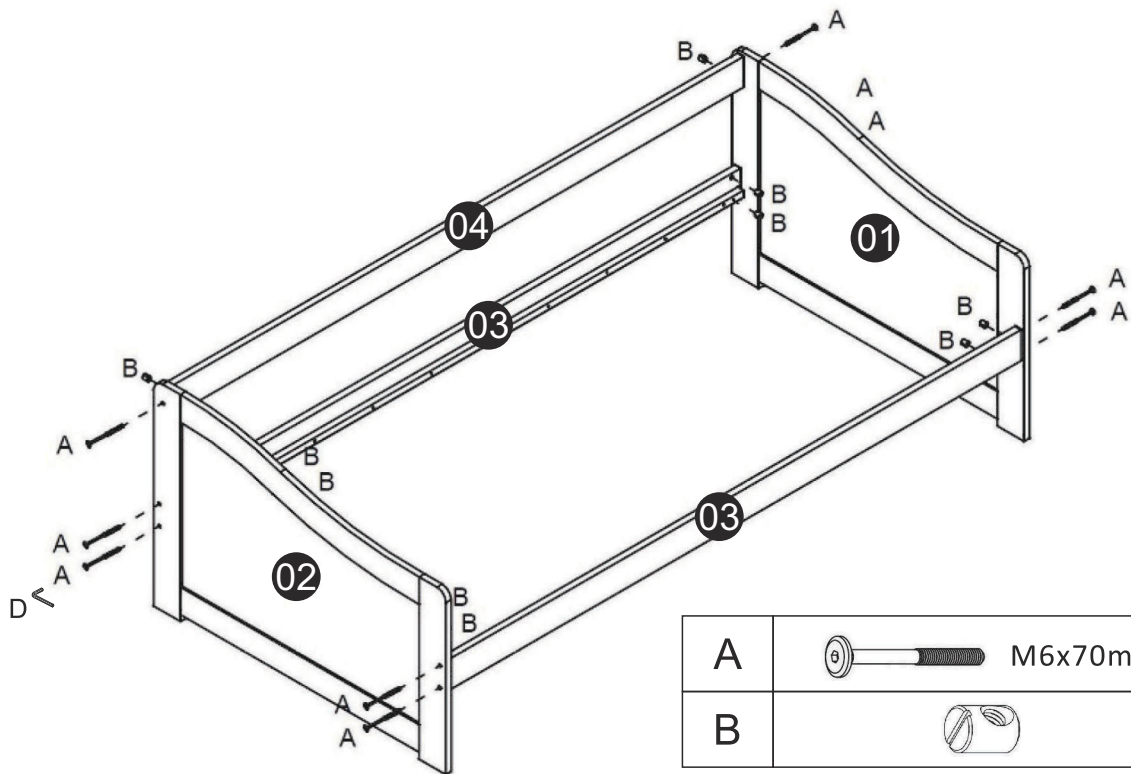
Insert hardware part (C) into the siderails (3), top back panel (4) and rail supports (7).





C		Φ8x30mm	16
---	---	---------	----

## STEP 2

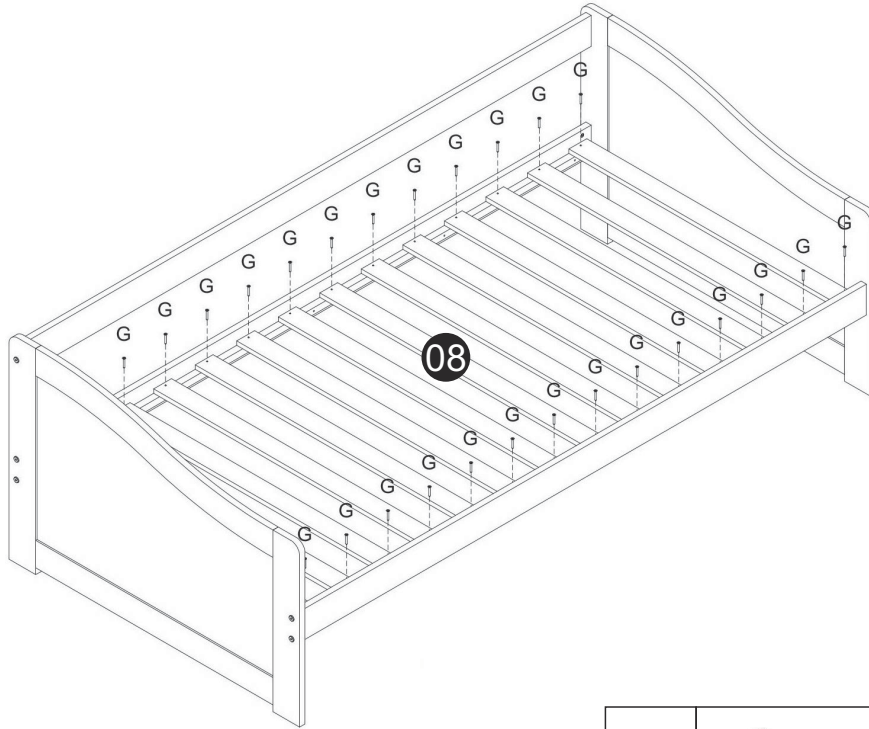
Attach the siderails (3) and top back panel (4) to the right frame (1) and left frame (2) using hardware part (A), (B) and (D).



A		M6x70mm	10
B			10

### STEP 3

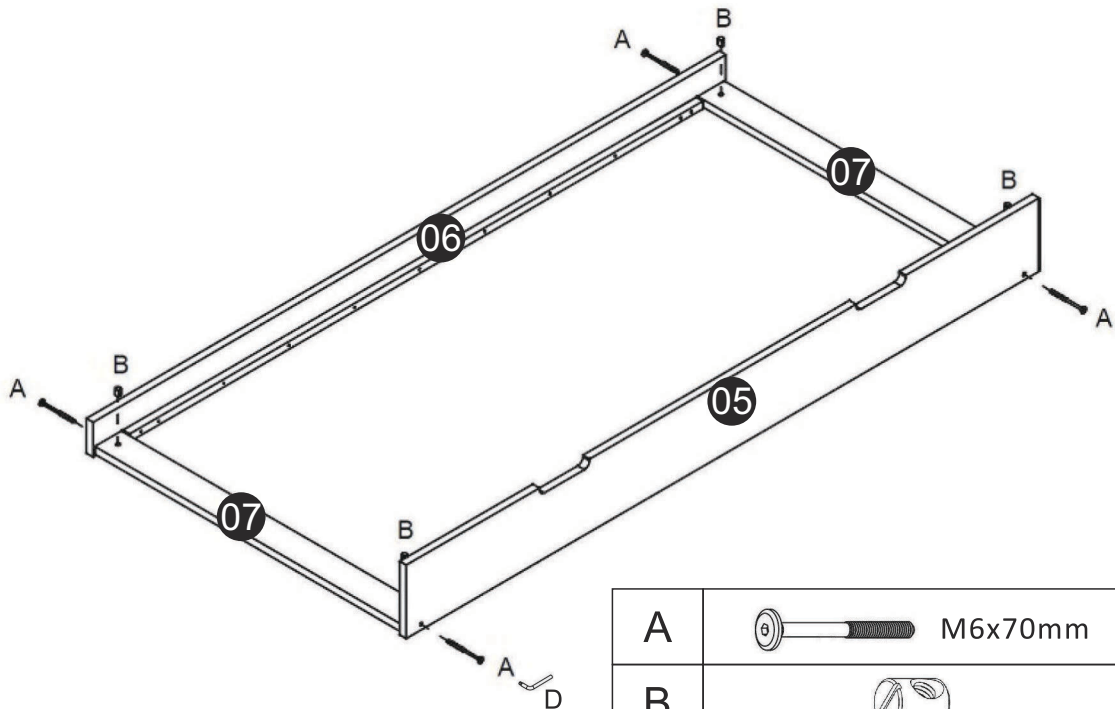
Attach half the slats (8) to the bed using hardware part (G) and a screwdriver (not provided).





G		Φ4x30mm	28
---	---	---------	----

### STEP 4

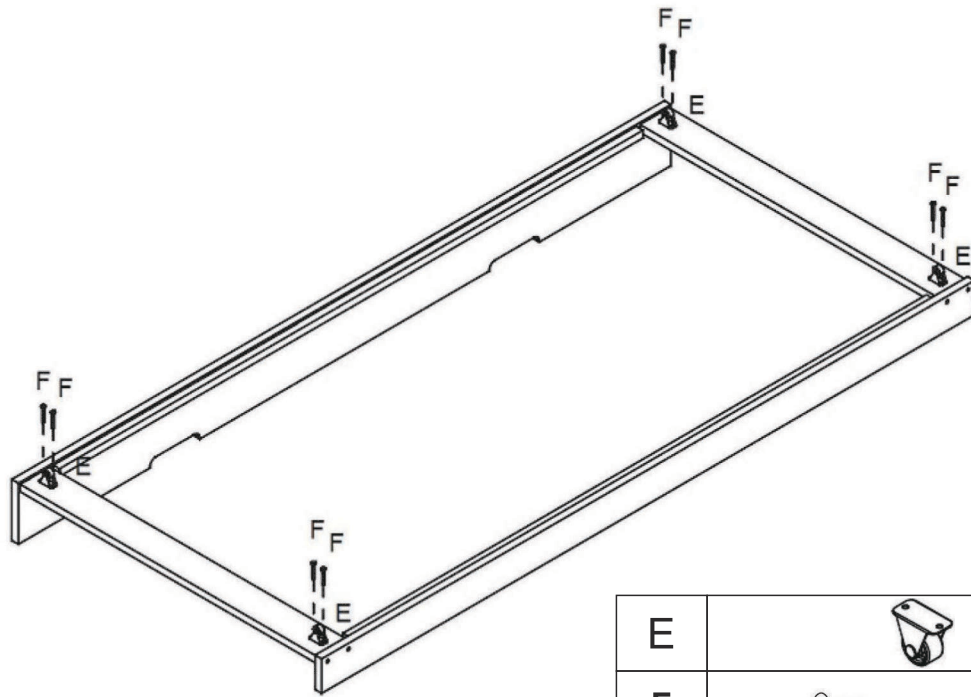
Attach the support rails (7) to the rear side rail (6) and front side rail (5) using hardware parts (A),(B) and (D).



A		M6x70mm	4
B			4

## STEP 5

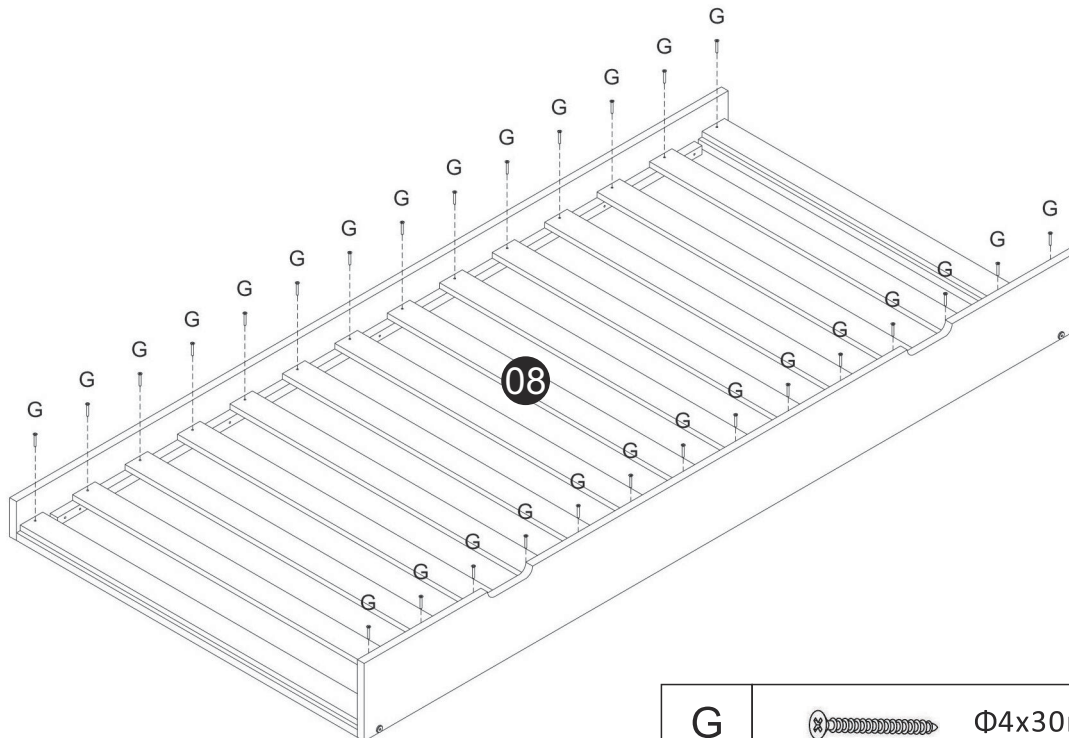
Attached hardware part (E) onto the bottom of the trundle bed using hardware part (F) and a screwdriver (not provided).



E		4
F	 $\Phi 4 \times 16 \text{mm}$	8

## STEP 6

Attach the other slats (8) on the trundle bed using hardware part (G) and a screwdriver (not provided)



G	 $\Phi 4 \times 30 \text{mm}$	28
---	--	----

## STEP 7

Slide the trundle under the bed as shown below.

