

Assembly Instructions

Important before assembly:

Read these instructions carefully before assembling or using the product.

Please check the contents of the boxes before attempting to assemble this product. The instructions will have a checklist of parts and fittings.

Assemble the product as close to its intended final location/room as possible.

Health & Safety:

This product or some parts of this product will be heavy. Please use an assistant when lifting.

Please keep small parts out of reach of children.

Always use on a level, even surface.

DO NOT jump on the product or any of its parts.

DO NOT use this product if any parts are missing, damaged or worn.

DO NOT use this product unless all fixings are secured.

Further instructions are on the following pages.

Please keep these instructions for future reference.



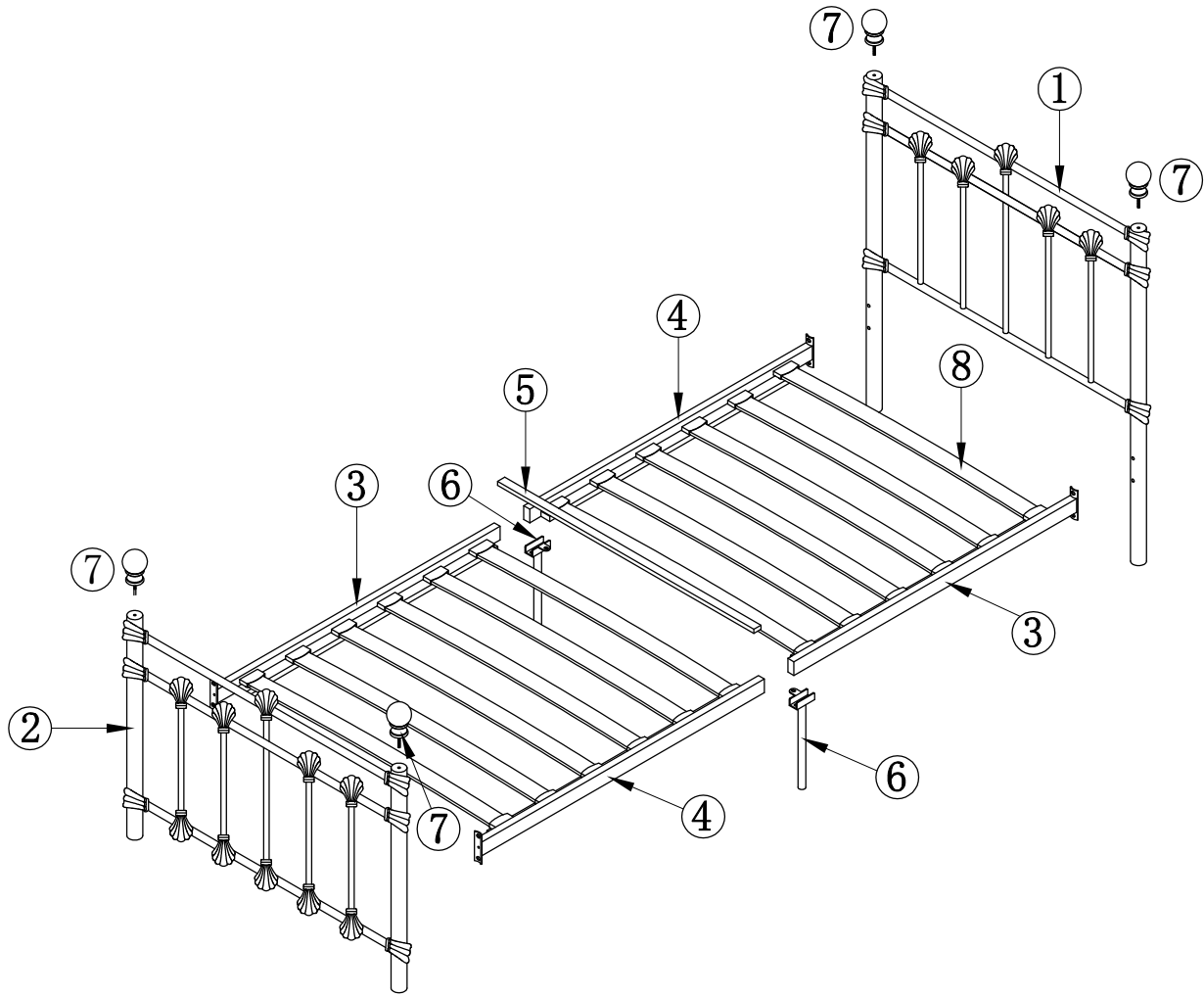
This product or some parts of this product will be heavy. Please use an assistant when lifting.









Never drag or push the pieces across a hard or stone floor as this will cause damage to the joints. Use a carpet or a rug for extra care.



If you have problems assembling or have damaged or missing pieces, please contact our customer services (details at the back of these instructions)

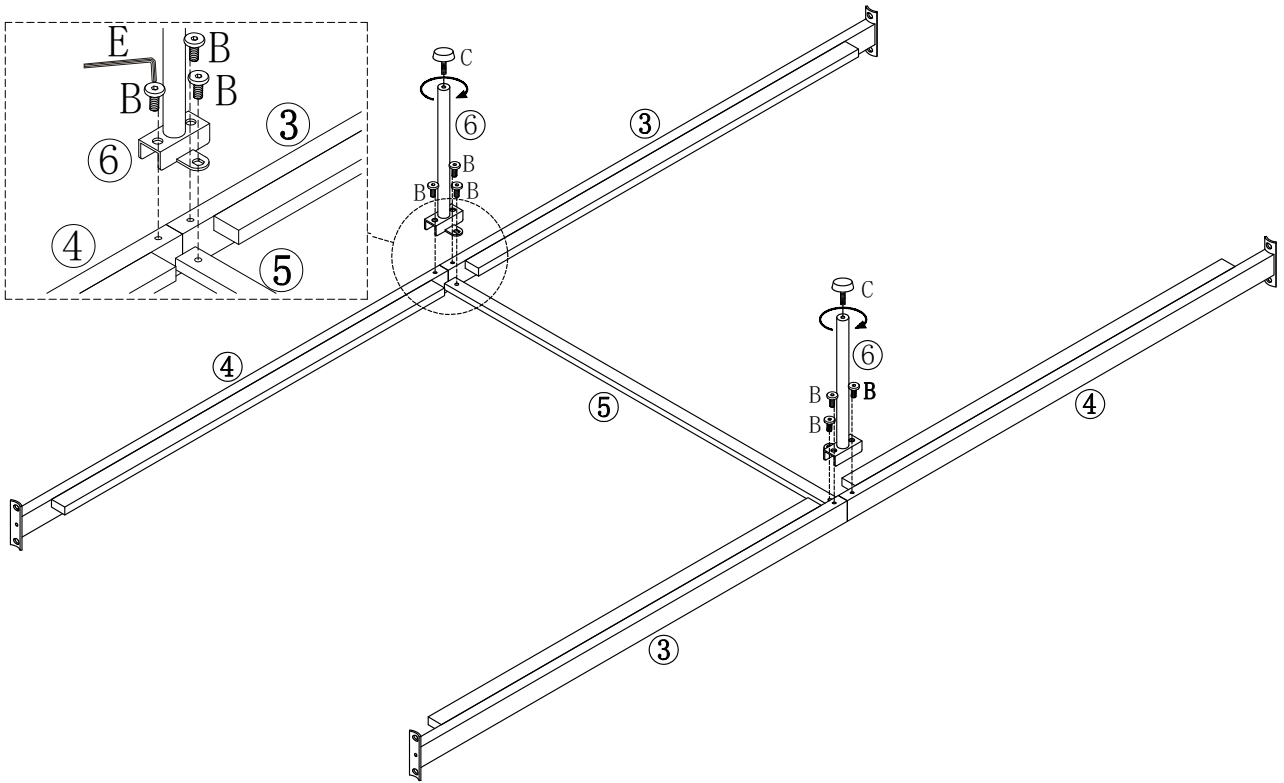


PART LIST				HARDWARE LIST (FOUND IN BOX 1)		
PART	DESCRIPTION	BOX	QTY	PART	DESCRIPTION	QTY
1	Headend	1	1	A	M8 x 20mm JCBC Screw 	8
2	Footend	1	1	B	M6 x 12mm JCBC 	6
3	Side Support	1	2	C	∅2.2xM6x15mm 	2
4	Side Support	1	2	D	Slat Cap 	24
5	Mid Support	1	1	E	M4 	1
6	Side Frame	1	2	F	M5 	1
7	Finials	1	4			
8	Slat	1	12			

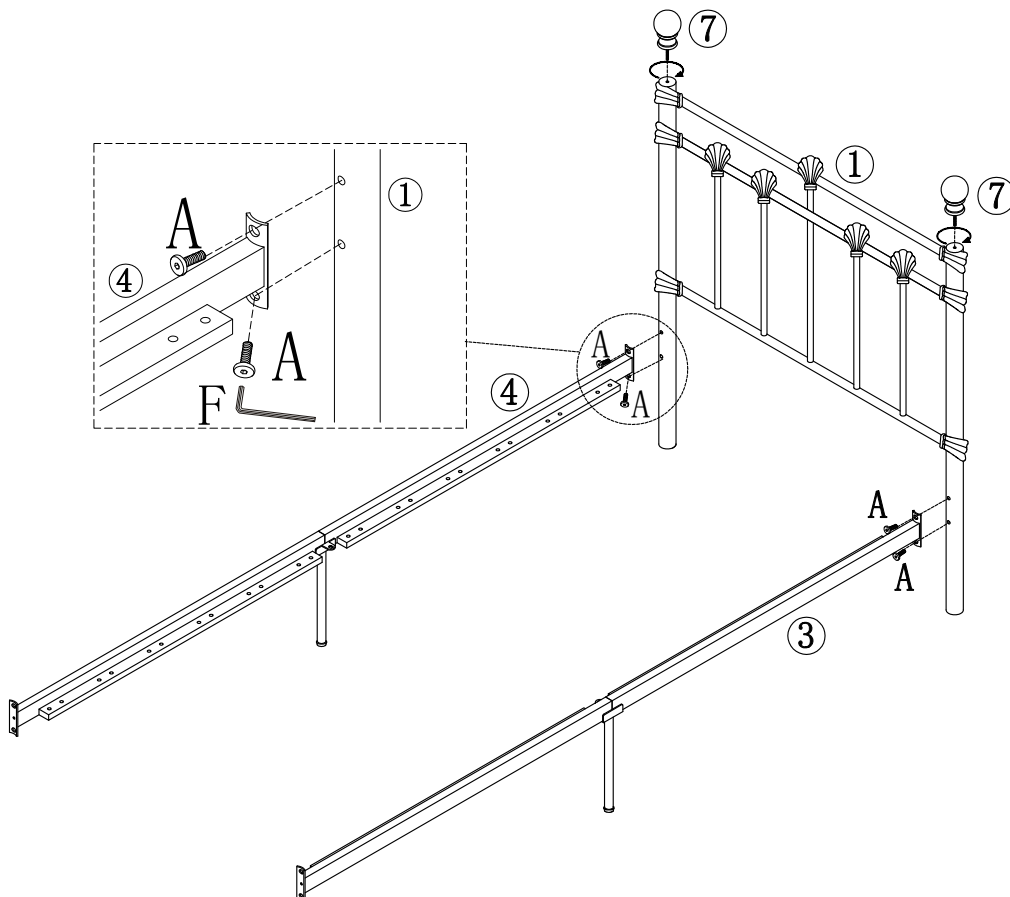
IMPORTANT: DO NOT SCREW UP THE RACK TIGHTLY UNTIL ALL PARTS ARE WELL SET WITH PROPER HARDWARES IN PLACE! ! !

Step 1:

Vendor: S000053

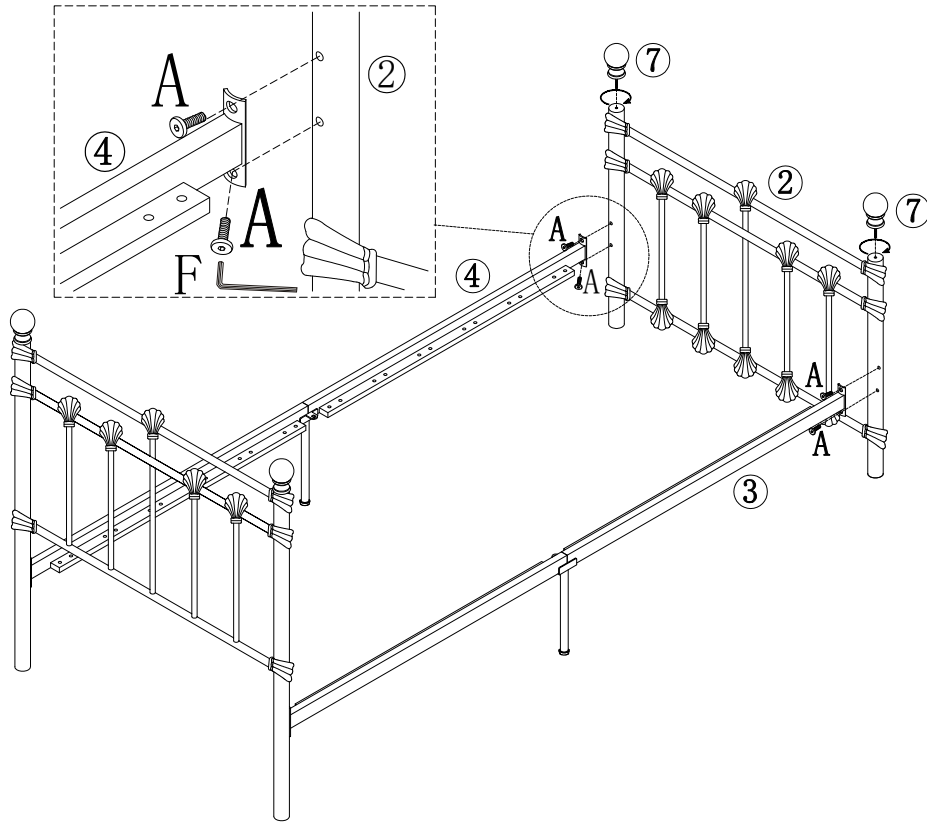


Step 2:

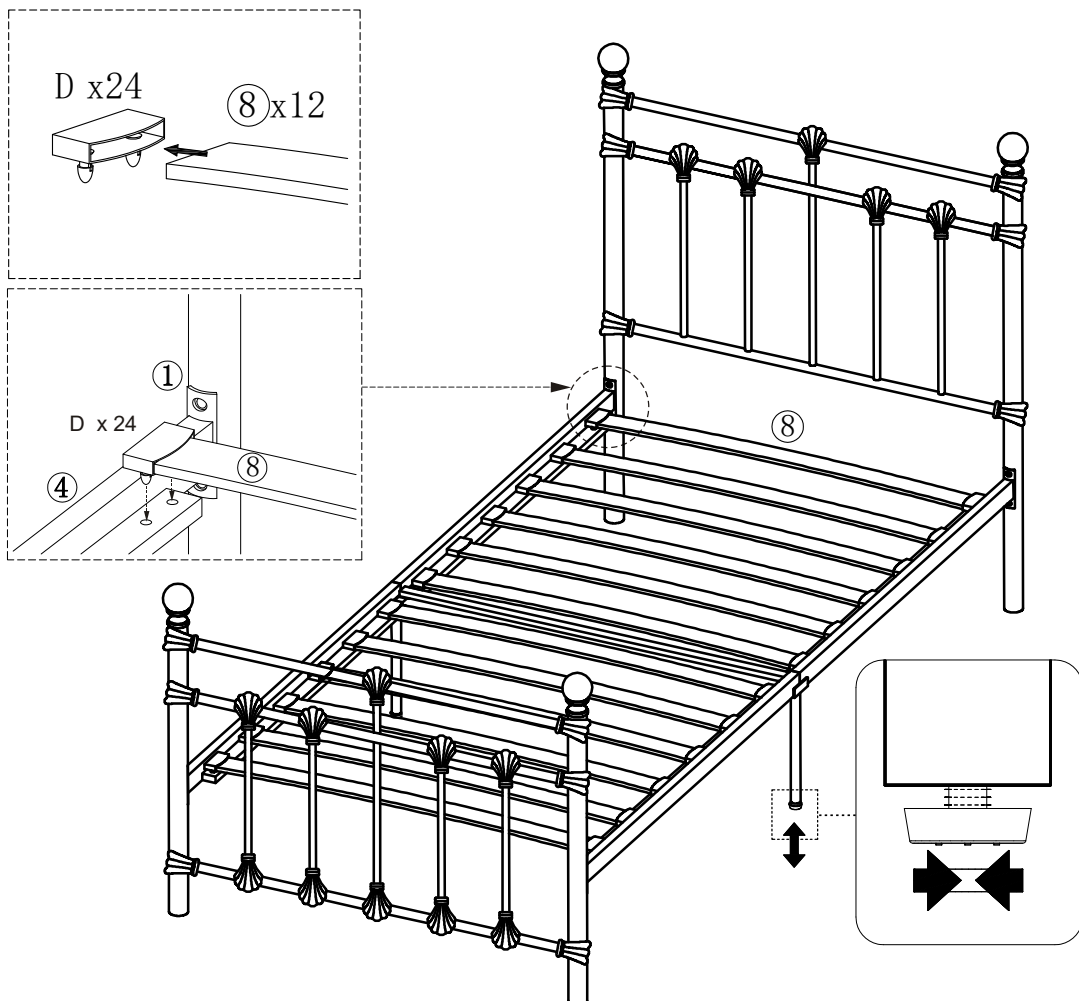


Step 3:

Vendor: S000053



Step 4:



Please dispose of all packaging safely.

General Care & Maintenance

Wipe clean with a slightly damp cloth.
Avoid the use of all household cleaners and abrasives.

Periodically check all screw & fixings to ensure they are secure.

When moving your product, carefully lift into place. Never drag or push the product across the floor as this will cause damage to the joints. If the product is used on hard flooring, such as wood or laminated floor, you must place some protection under the legs to stop the product from moving. If this is not adhered to, it could result in failure to the product that will invalidate the warranty.

For more information on cleaning and product care visit:
<https://www.happybeds.co.uk/help-and-advice>

Notes

In the unlikely event that you have problems putting this product together or have damaged or missing parts, please contact us by visiting:
<https://www.happybeds.co.uk/customer-service>