

## **Assembly Instructions**

### **Important before assembly:**

Read these instructions carefully before assembling or using the product.

Please check the contents of the boxes before attempting to assemble this product. The instructions will have a checklist of parts and fittings.

Assemble the product as close to its intended final location/room as possible.

### **Health & Safety:**

This product or some parts of this product will be heavy. Please use an assistant when lifting.

Please keep small parts out of reach of children.

Always use on a level, even surface.

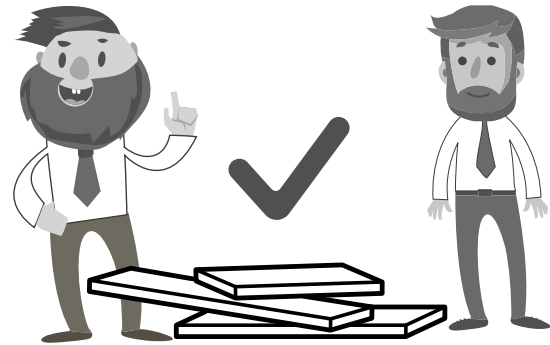
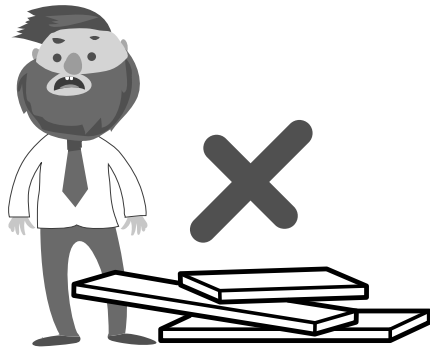
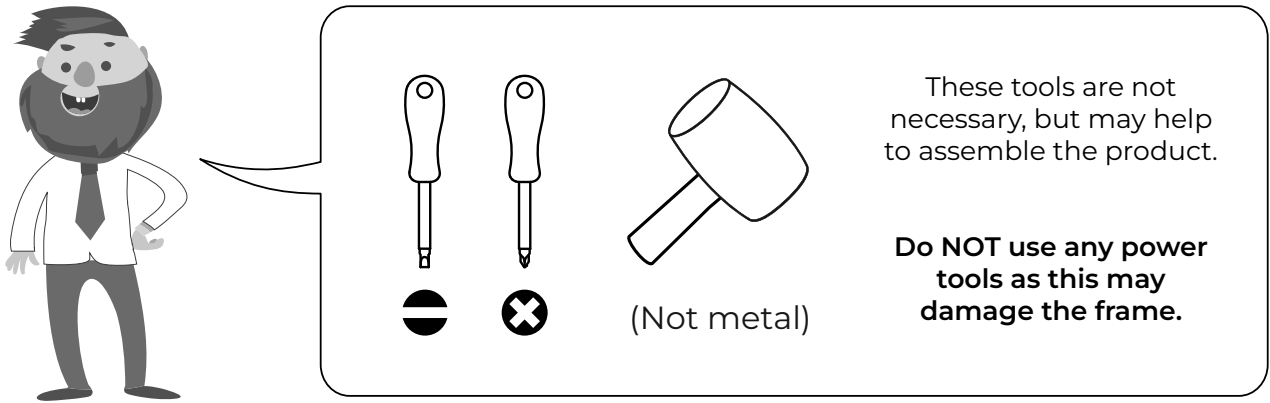
DO NOT jump on the product or any of its parts.

DO NOT use this product if any parts are missing, damaged or worn.

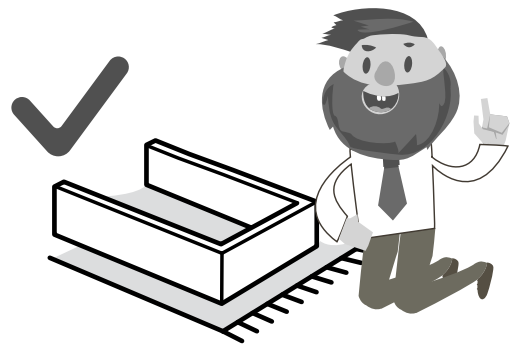
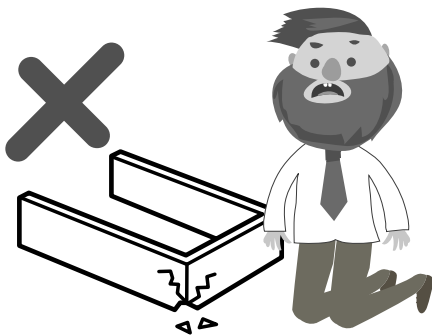
DO NOT use this product unless all fixings are secured.

**Further instructions are on the following pages.**

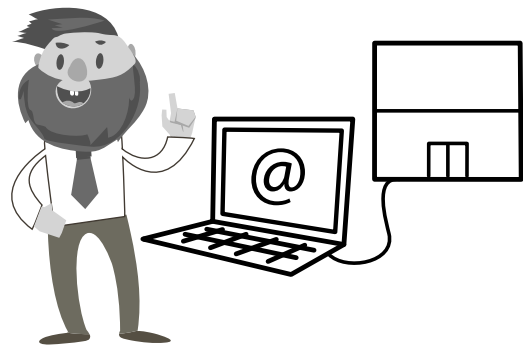
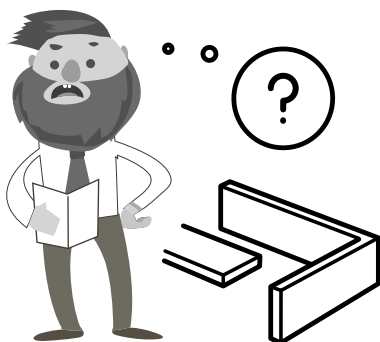
Please keep these instructions for future reference.



This product or some parts of this product will be heavy. Please use an assistant when lifting.



Never drag or push the pieces across a hard or stone floor as this will cause damage to the joints. Use a carpet or a rug for extra care.



If you have problems assembling or have damaged or missing pieces, please contact our customer services (details at the back of these instructions)



## **Important for High Sleepers, Bunk Beds and Children's Beds**

### **Warning:**

High sleepers and the upper tier of bunk beds are not suitable for children under 6 years of age due to risk of injury from falls.

High Sleepers and Bunk Beds present a risk of injury from strangulation if used incorrectly. Never attach or hang anything on any part of the bed that is not designed to be used with the bed, for example, but not limited to ropes, strings, cords, hooks, belts and bags.

Children can become trapped between the bed and the wall, a roof pitch, the ceiling and other pieces of furniture (e.g. wardrobes). To avoid risk of serious injury, the distance between the top safety barrier and any adjoining structure shall not exceed 75mm or shall be more than 230mm.

Maximum thickness of a mattress on the top tier is 18cm. Please refer to the label or marking on the headboard.

This bed has been tested by an independent laboratory and is in compliance with BS EN 747-1 : 2012+A1:2015 - Standard Consumer Safety specification for bunk beds & high sleepers.

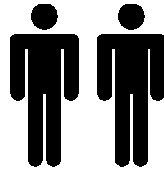
# ASSEMBLY INSTRUCTIONS

## Single Bed

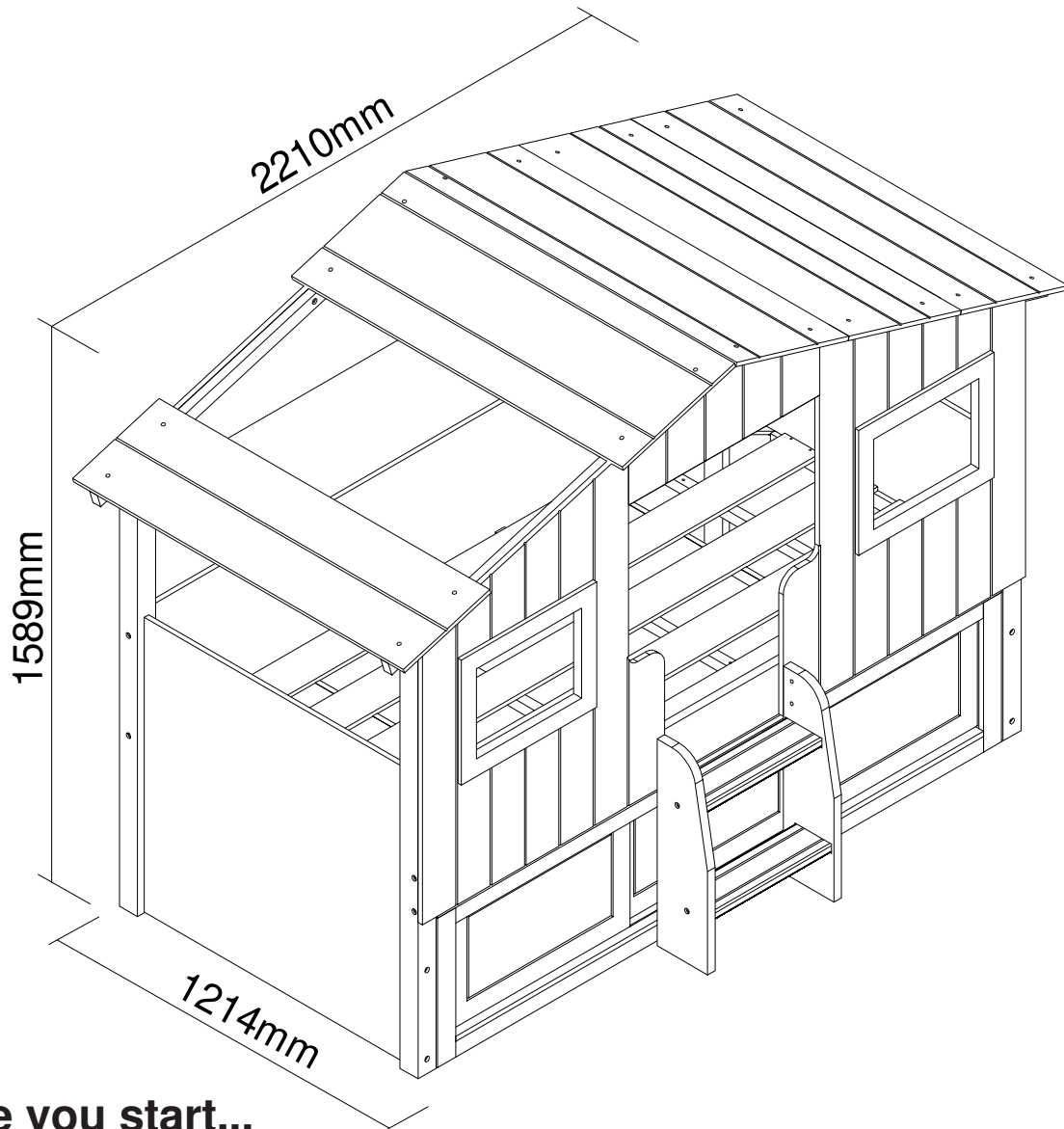
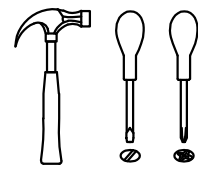
Approximate Assembly Time



People Required to Assemble



Tools Required



### Before you start...

Please carefully unpack and lay out all of the component parts to ensure nothing is missing and to check each component for any obvious damage.

Should you identify any concerns at this stage please contact the retailer from whom this product was purchased. Please quote your order number, details of your issue, the product code, and the batch number from the cartons which will help to resolve your issue as quickly as possible.

**Version Number - 1.0**

**Product Code - ACO 001**

Please check all hardware matches the list below. Should you notice any are missing please contact your retailer.

**A**



14x11mm

6x

**B**



6x35x8mm

4x

**C**



10x11mm

38x

**D1**



6x15mm

4x

**D2**



8x30mm

22x

**E1**



6x10mm

20x

**E2**



6x20mm

20x

**E3**



6x25mm

35x

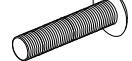
**E4**



6x30mm

4x

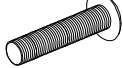
**E5**



6x50mm

12x

**E6**



6x65mm

4x

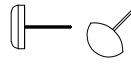
**E7**



6x90mm

28x

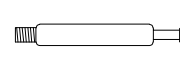
**F**



20X15mm

6x

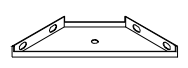
**G**



6x60x8mm

2x

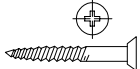
**H**



230x70x33mm

4x

**I**



3.5x29mm

24x

**J**



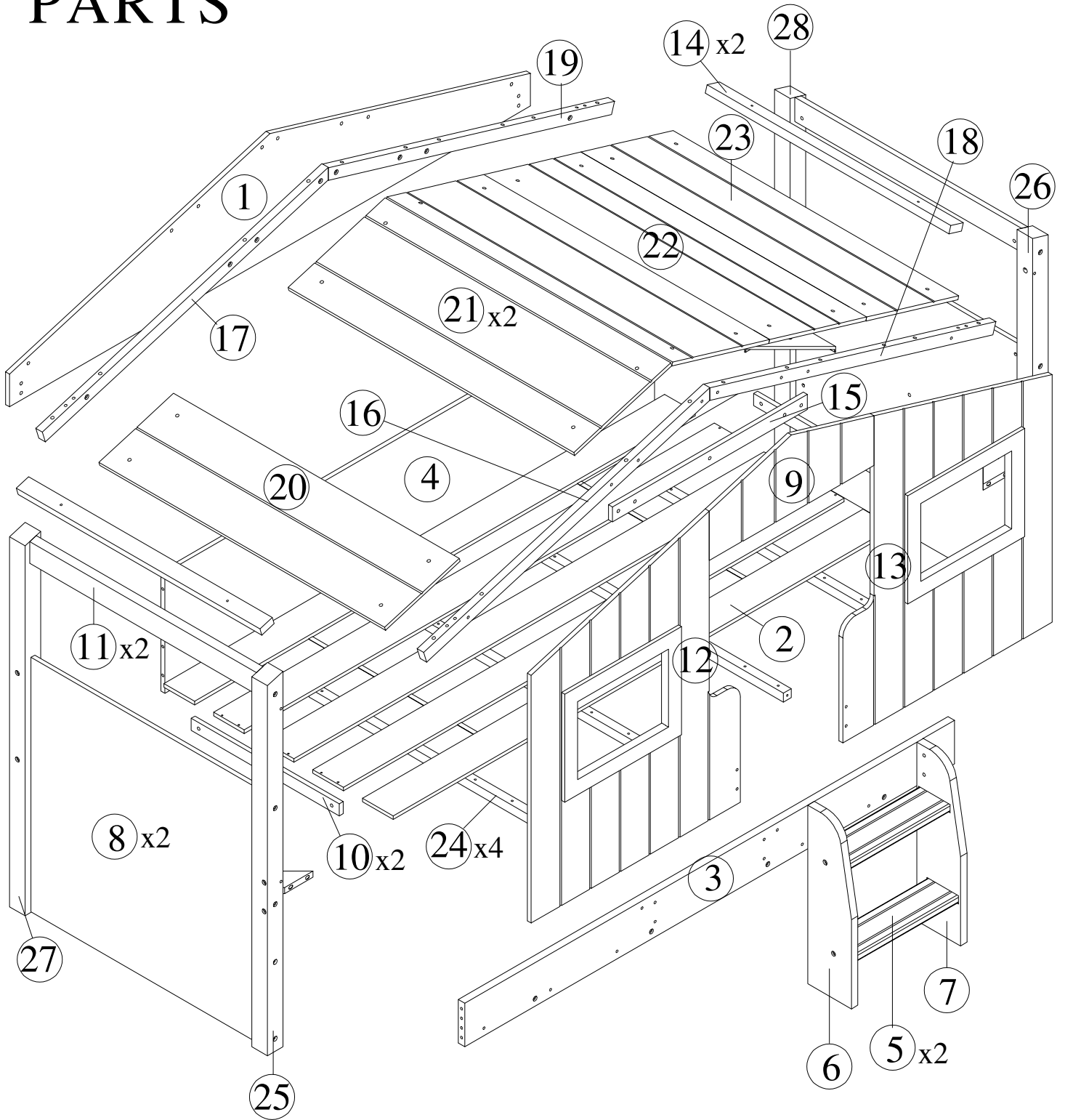
18x15x5mm

44x

We strongly advise that you do not use Power Tools, such as drills or electric screwdrivers during the assembly as this may cause irreparable damage and will invalidate your warranty.



# PARTS



Please ensure you carefully check all the pieces, should you have any concerns please contact the retailer before assembly commences. Please have your order number, details of the issue, the product code, and the batch number from the cartons as this will help us to resolve your issue much faster.

## **Safety Advice**

Please take the time to carefully read through the whole of these instructions before you commence.

Keep these instructions for future reference.

Unpack, inspect and check off all of the contents.

Please dispose of all packaging safely.

We strongly recommend that you keep children well away from the work area.

It would be sensible to lay a sheet or blanket on the floor where you intend to work to avoid scratching this product and to protect your floor.

This product is heavy. Take extreme care when lifting to avoid personal injury or damage to the product.

Assemble the product as close to its intended final position in the room as possible.

We strongly urge that you do not use Power Tools, such as drills or electric screwdrivers during this assembly as this could cause irreparable damage to you product and will invalidate the warranty.

## **IMPORTANT INFORMATION**

**WARNING** : This bed is not suitable for children under 4 years.

**WARNING** : Do not place this child's bed near heat source, windows and other furniture.

**WARNING** : Do not use this child's bed if any part is broken, torn or missing.

**WARNING** : Small component parts could choke a child if swallowed.

It is recommended that you always follow the manufacturer's instructions to assemble this product.

This product is intended for use by children over 4 years of age.

Children are likely to play, bounce, jump and climb on beds, therefore the child's bed should not be placed too close to other furniture or windows, blind cords, curtain pulls or other strings or cords and should be placed either tight to the wall or have a gap of 300mm between the wall and side of bed.

This bed must not be dismantled.

Replacement parts can be obtained where available and at an additional cost.

Recommended Mattress Size: 90cm x 190 cm (UK Single) with a depth of no more than 23cm.

It is necessary to frequently ventilate the room in order to keep the humidity low and to prevent mould in and around the bed.

Please periodically check all the fixings of the item and re-tighten when necessary.

This item conforms to British Safety Standards - BS8509:2008-AI:2011.

**HANDY HINT:** If you keep the hardware in a bowl during assembly you will be less likely to lose them.

## **ASSEMBLY ADVICE**

Please take the time to carefully read through these instructions before you commence.

Keep these instructions for future reference.

We advise that the product is assembled in the room it is intended for.

We advise that you keep the hardware in a bowl during assembly to avoid losing anything.

We strongly recommend that you keep children away from the work area.

Small component parts could choke a child if swallowed.

We recommend you use a sheet or blanket to protect both floor and product through the assembly stages.

This product is heavy, and we recommend a 2 person lift to avoid personal injury or damage to the product.

Never push or pull the product as this could cause both personal injury or irreparable damage to product or floor.

We have tried to make this piece of furniture easy to assemble if the instructions are followed carefully.

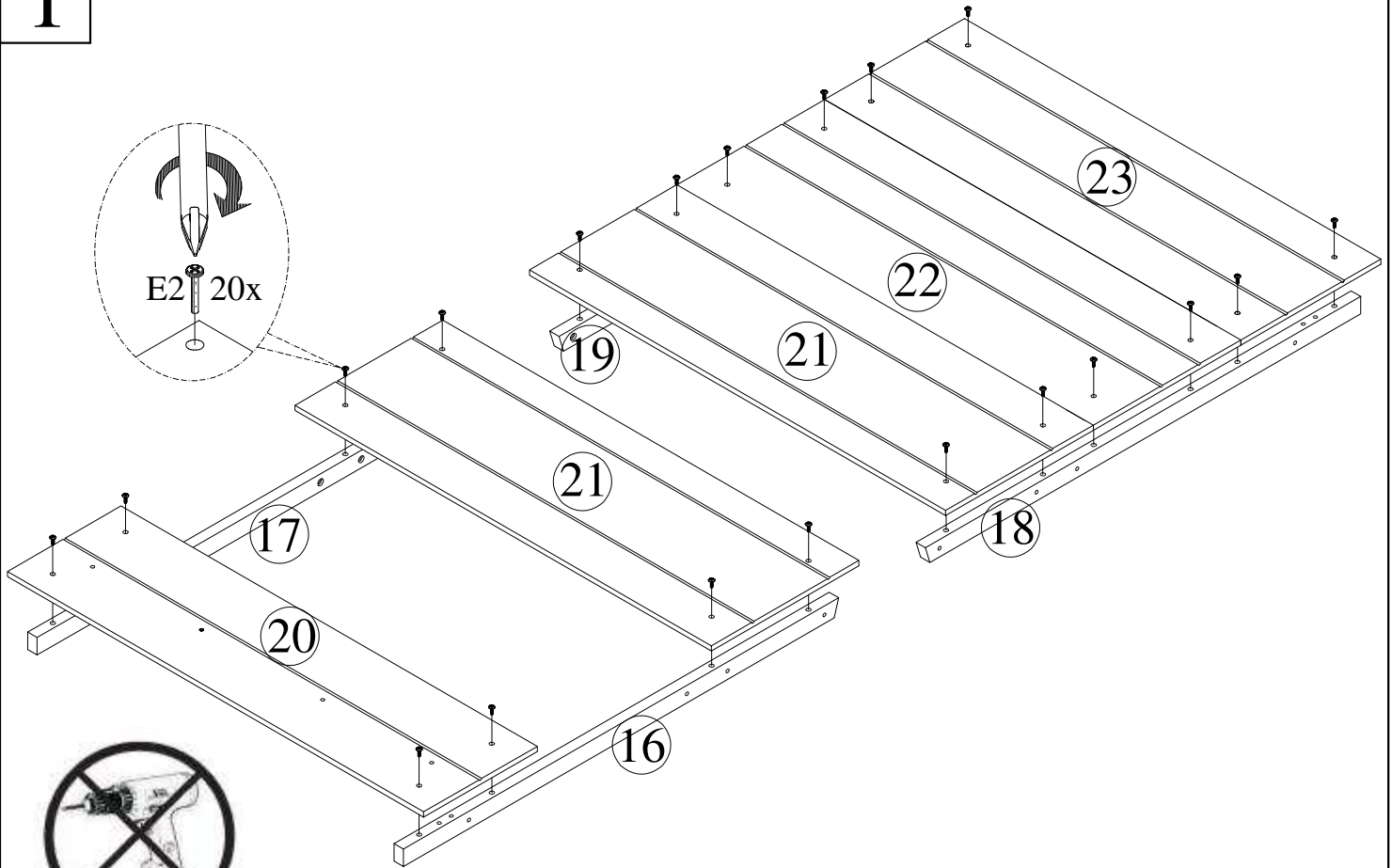
In the unlikely event that you have problems with assembling the product or have missing or damaged parts, please contact your retailer and we will assist them in rectifying the problem as quickly as possible.

Please remember we strongly urge you **DO NOT** use power tools such as drill or electric screwdrivers as this could cause irreparable damage to your product and will invalidate your warranty.



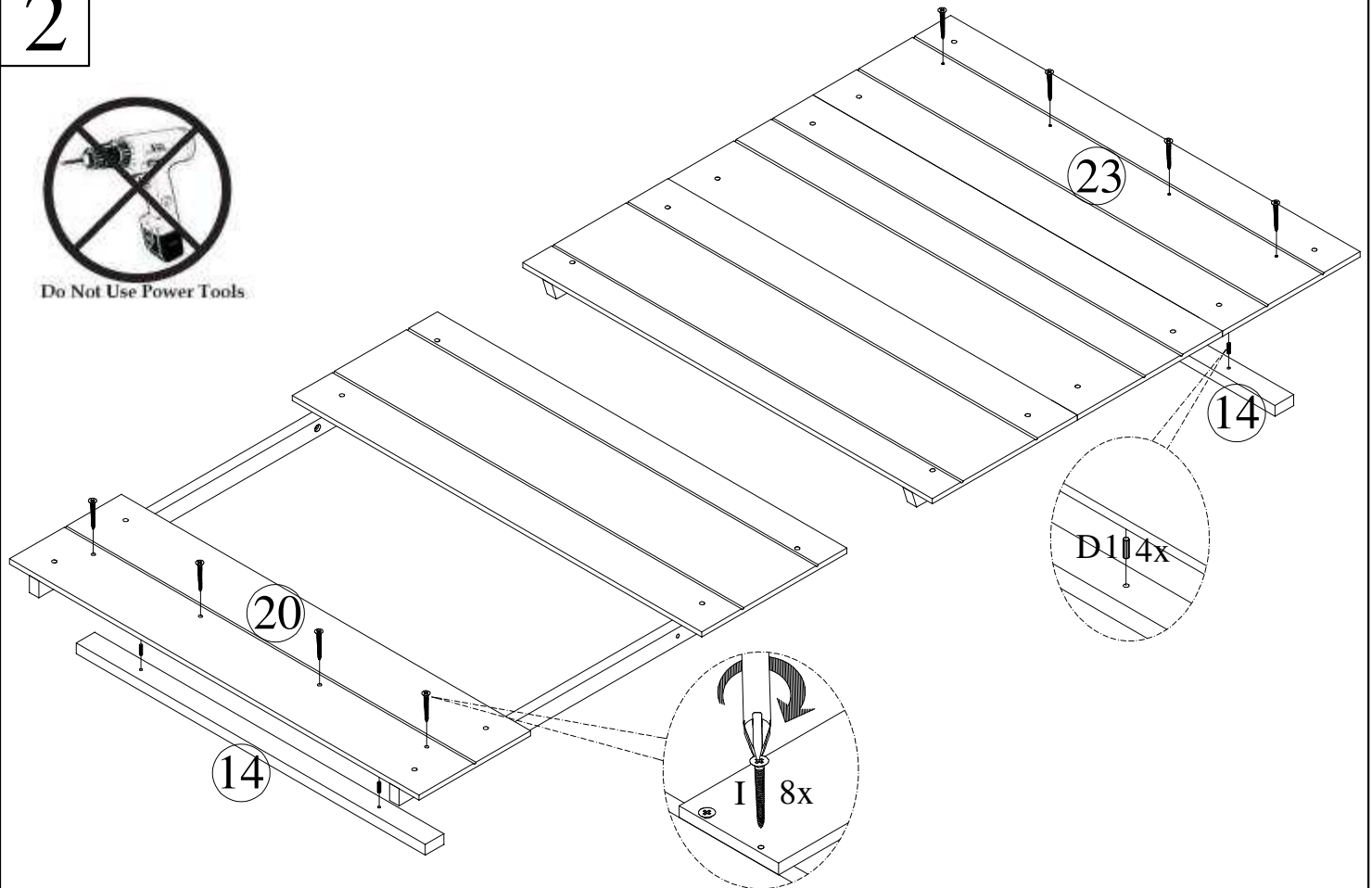


1




Do Not Use Power Tools

2



Do Not Use Power Tools

# 3

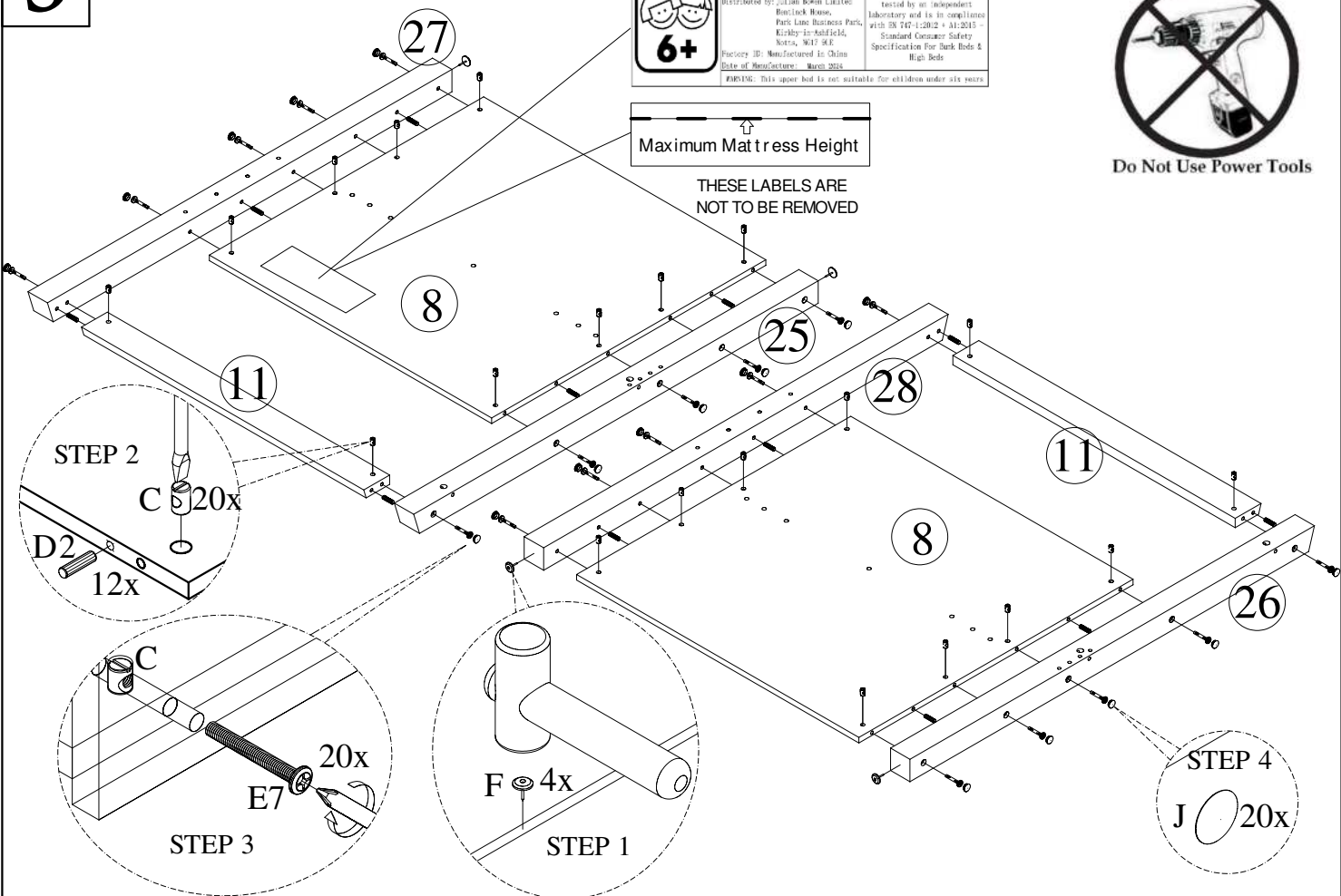
	SINGLE BED	CERTIFICATION LABEL
	Product Code - MB 001	This single bed model has been tested by an independent laboratory and is in compliance with EN 747-1:2012 + A1:2015 - Standard Consumer Safety Specification For bunk beds & High Beds
	Distributed by: Julian Bowen Limited Bentley House, Park Lane Business Park, Kirkby-in-Ashfield, Nottingham, Notts, NG17 9LE	
	Factory ID: Manufactured in China Date of Manufacture: March 2016	
	<b>WARNING:</b> This upper bed is not suitable for children under six years	



Do Not Use Power Tools


Maximum Mattress Height

THESE LABELS ARE NOT TO BE REMOVED



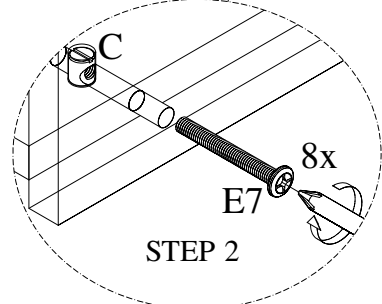
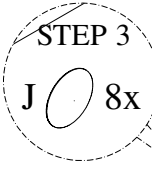
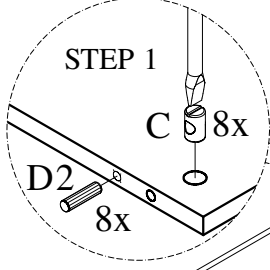
# 4

8 BACK

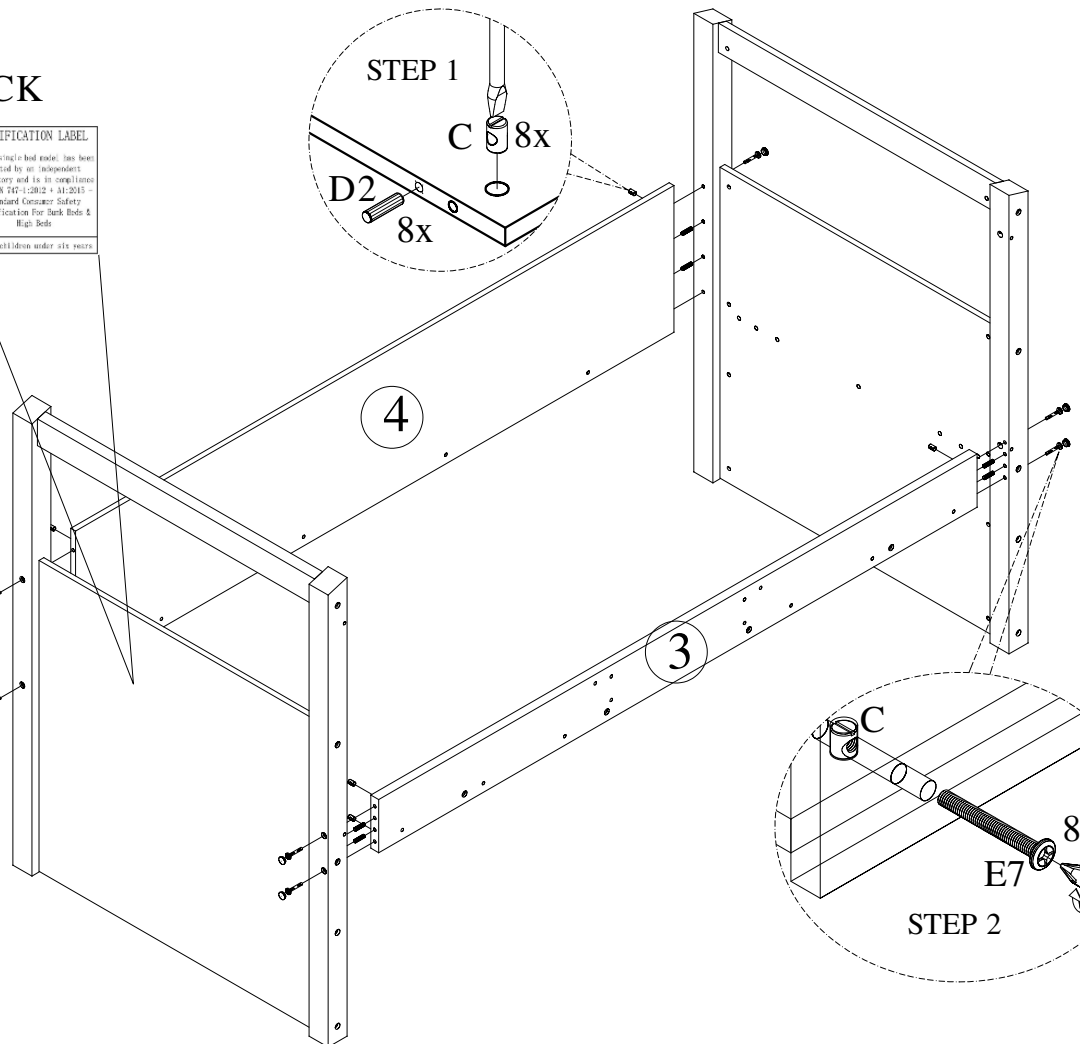
	SINGLE BED	CERTIFICATION LABEL
	Product Code - MB 001	This single bed model has been tested by an independent laboratory and is in compliance with EN 747-1:2012 + A1:2015 - Standard Consumer Safety Specification For bunk beds & High Beds
	Distributed by: Julian Bowen Limited Bentley House, Park Lane Business Park, Kirkby-in-Ashfield, Nottingham, Notts, NG17 9LE	
	Factory ID: Manufactured in China Date of Manufacture: March 2016	
	<b>WARNING:</b> This upper bed is not suitable for children under six years	

Maximum Mattress Height

THESE LABELS ARE NOT TO BE REMOVED



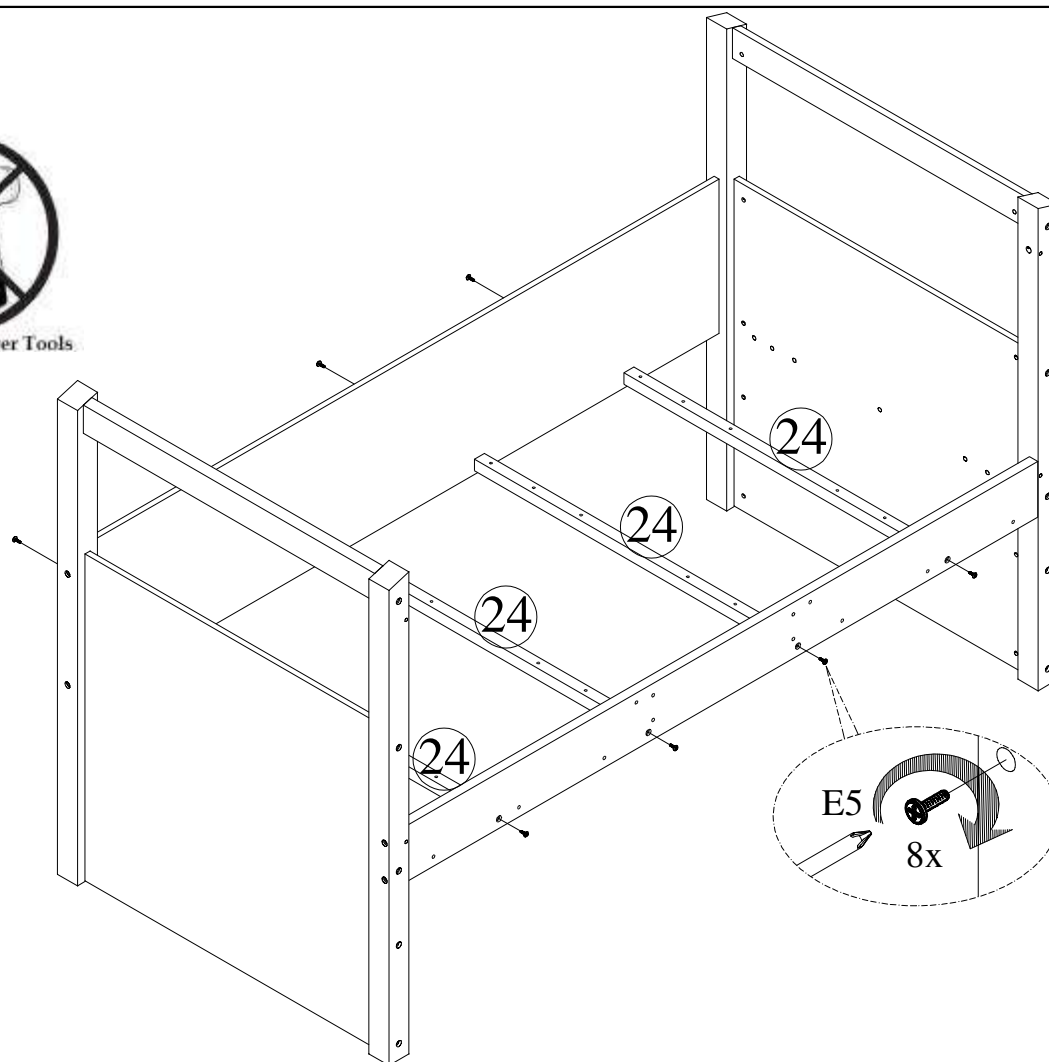
Do Not Use Power Tools



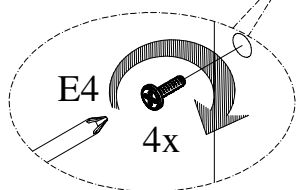
5



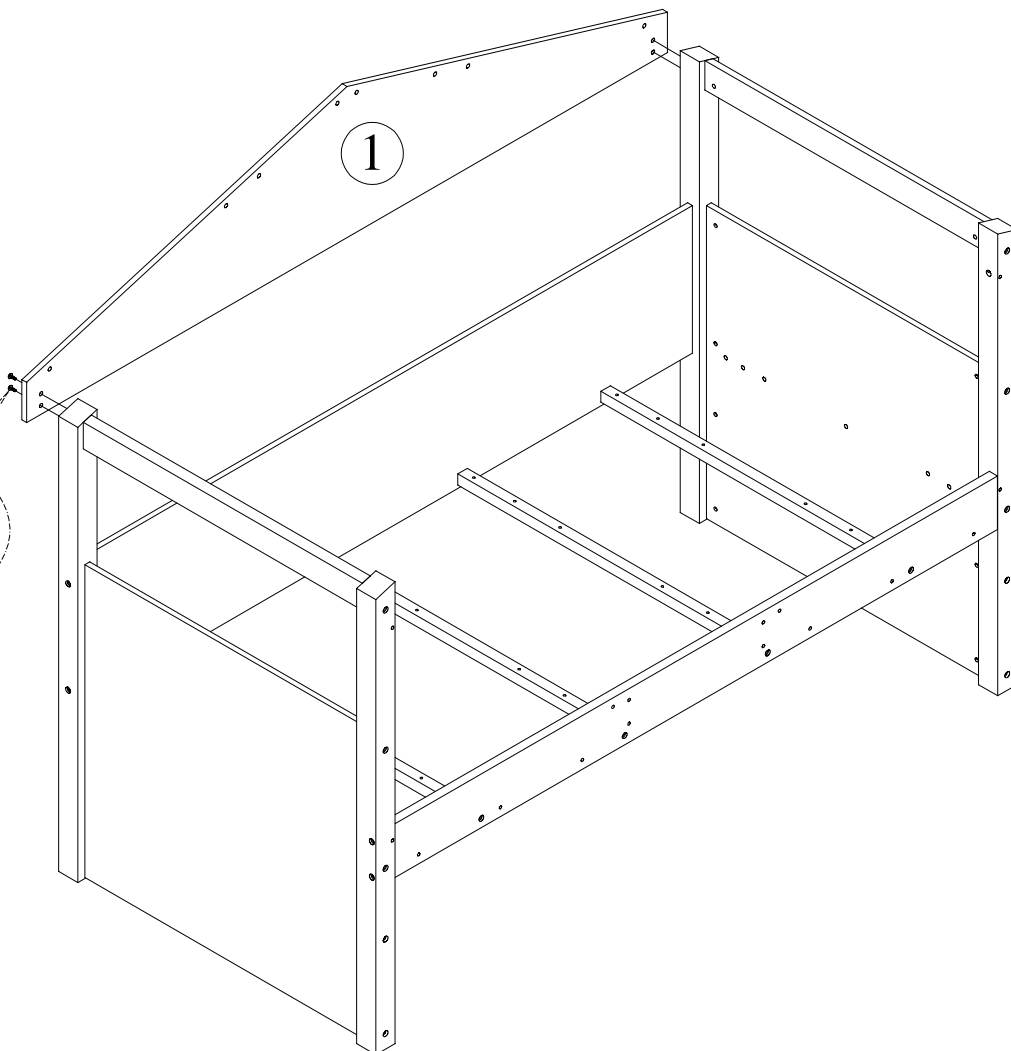
Do Not Use Power Tools



6

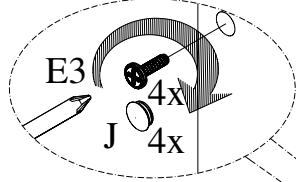


Do Not Use Power Tools



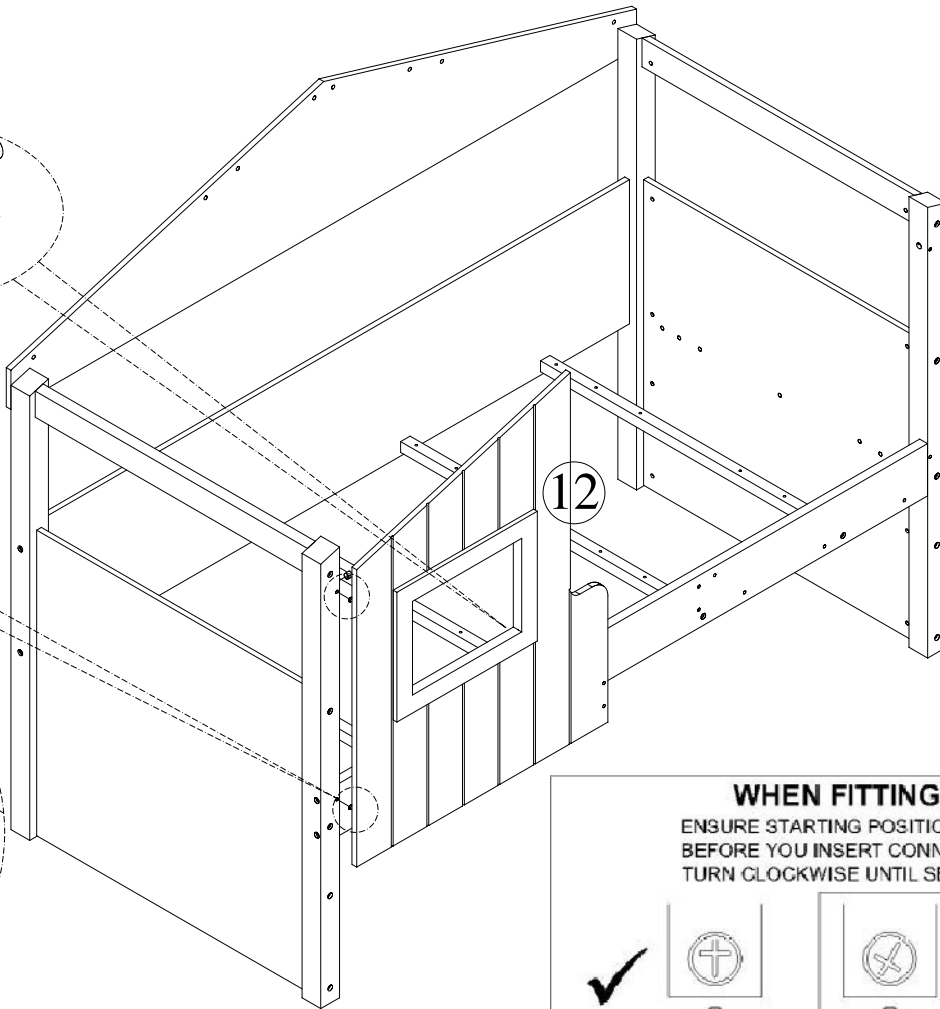
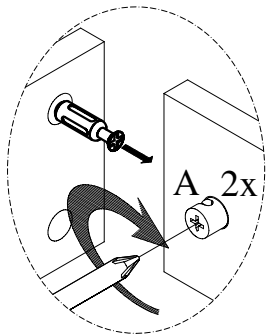
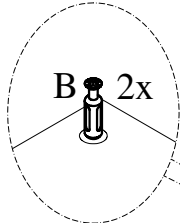
7

STEP 2



Do Not Use Power Tools

STEP 1

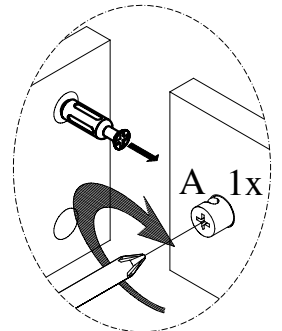
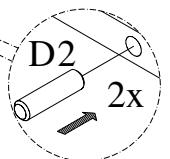
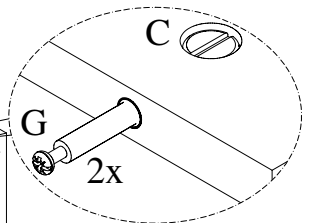
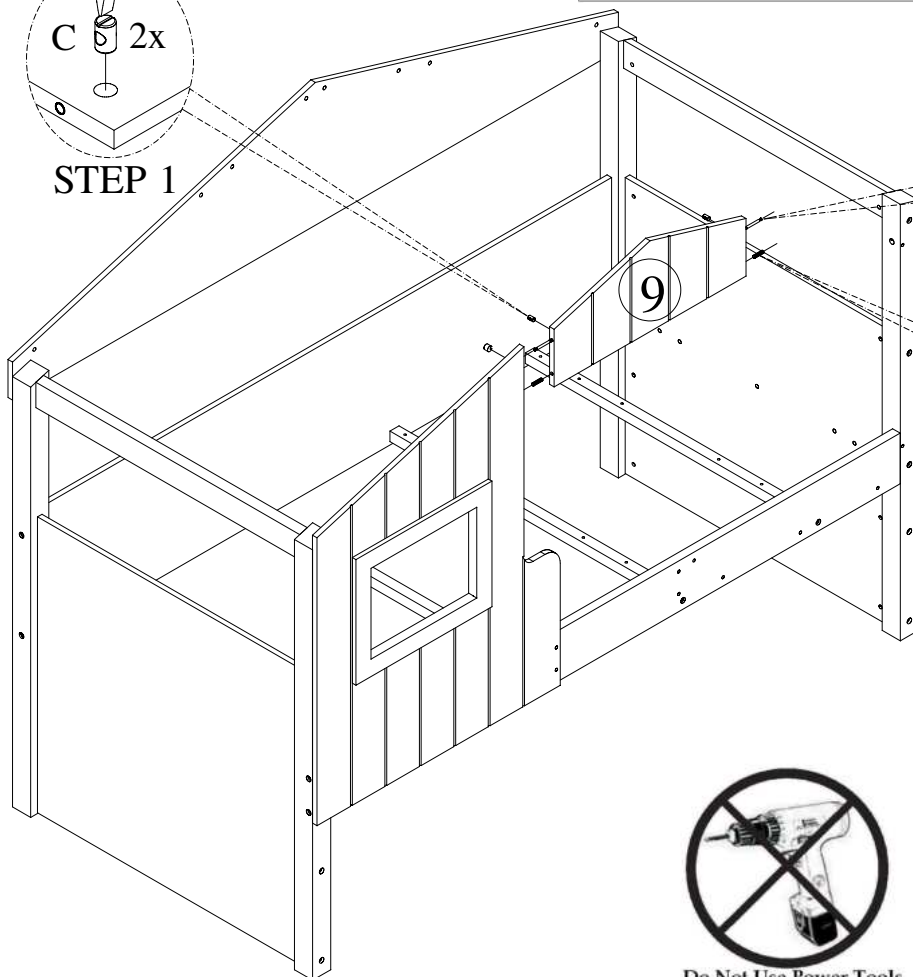
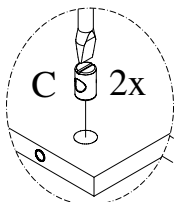


**WHEN FITTING CAMS**  
ENSURE STARTING POSITION IS CORRECT  
BEFORE YOU INSERT CONNECTING BOLT  
TURN CLOCKWISE UNTIL SECURE

✓				✗
	↑ 			
	CORRECT	WRONG		

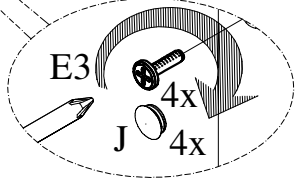
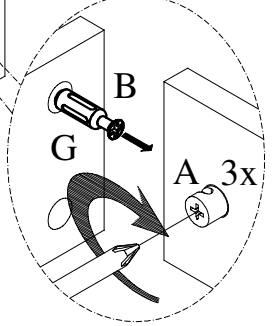
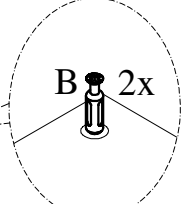
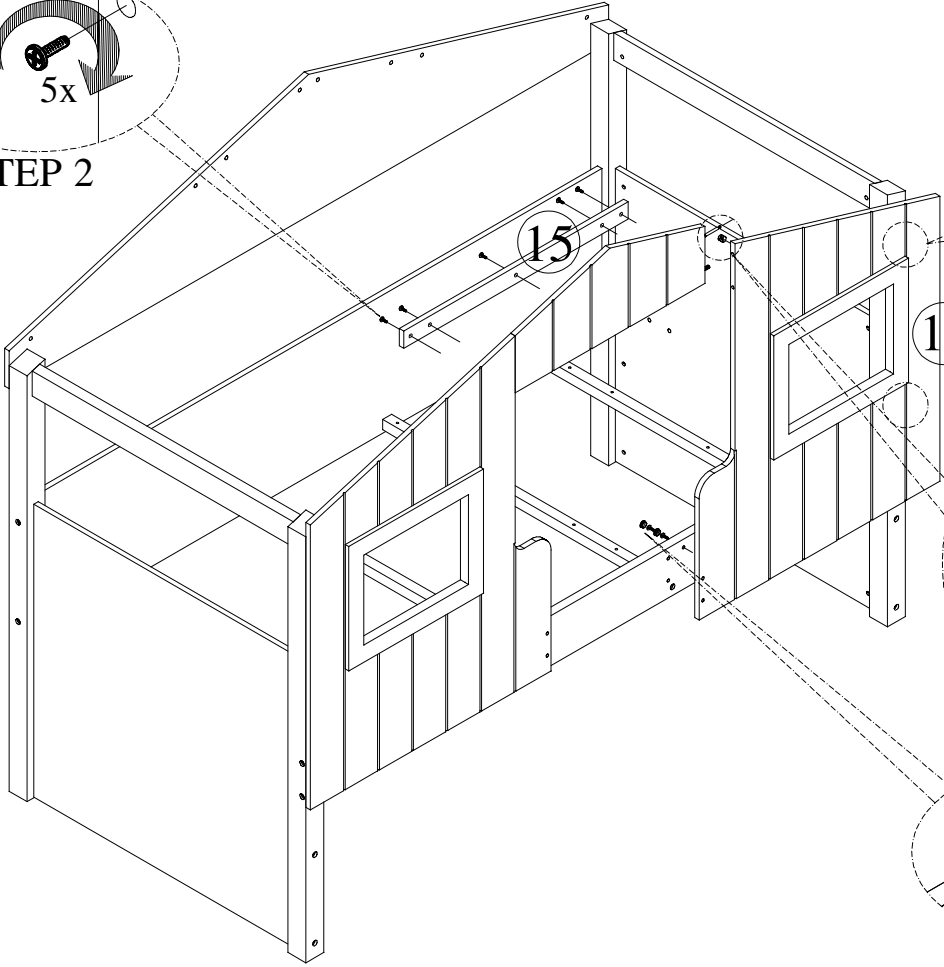
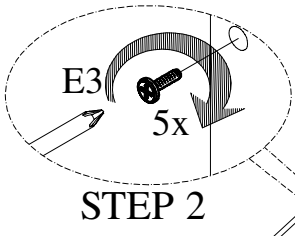
8

STEP 1



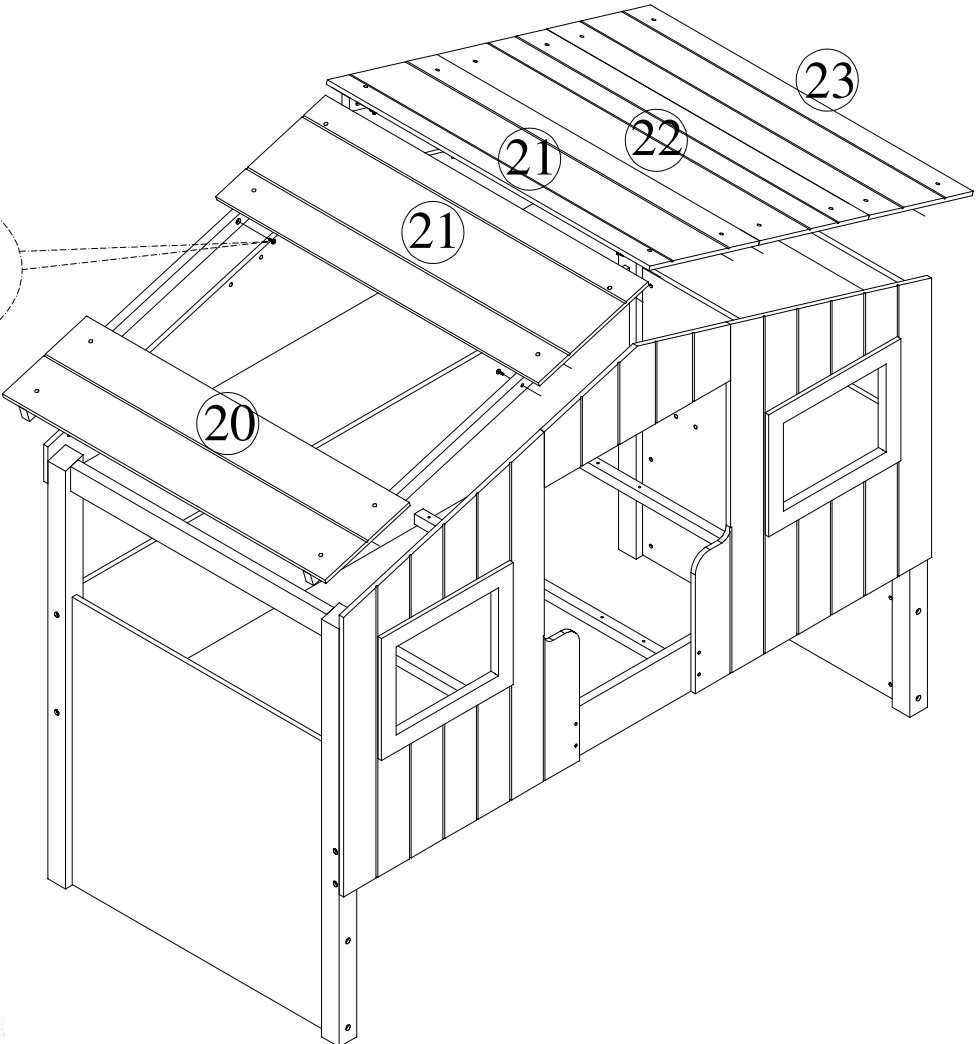
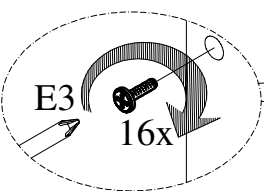
Do Not Use Power Tools

9



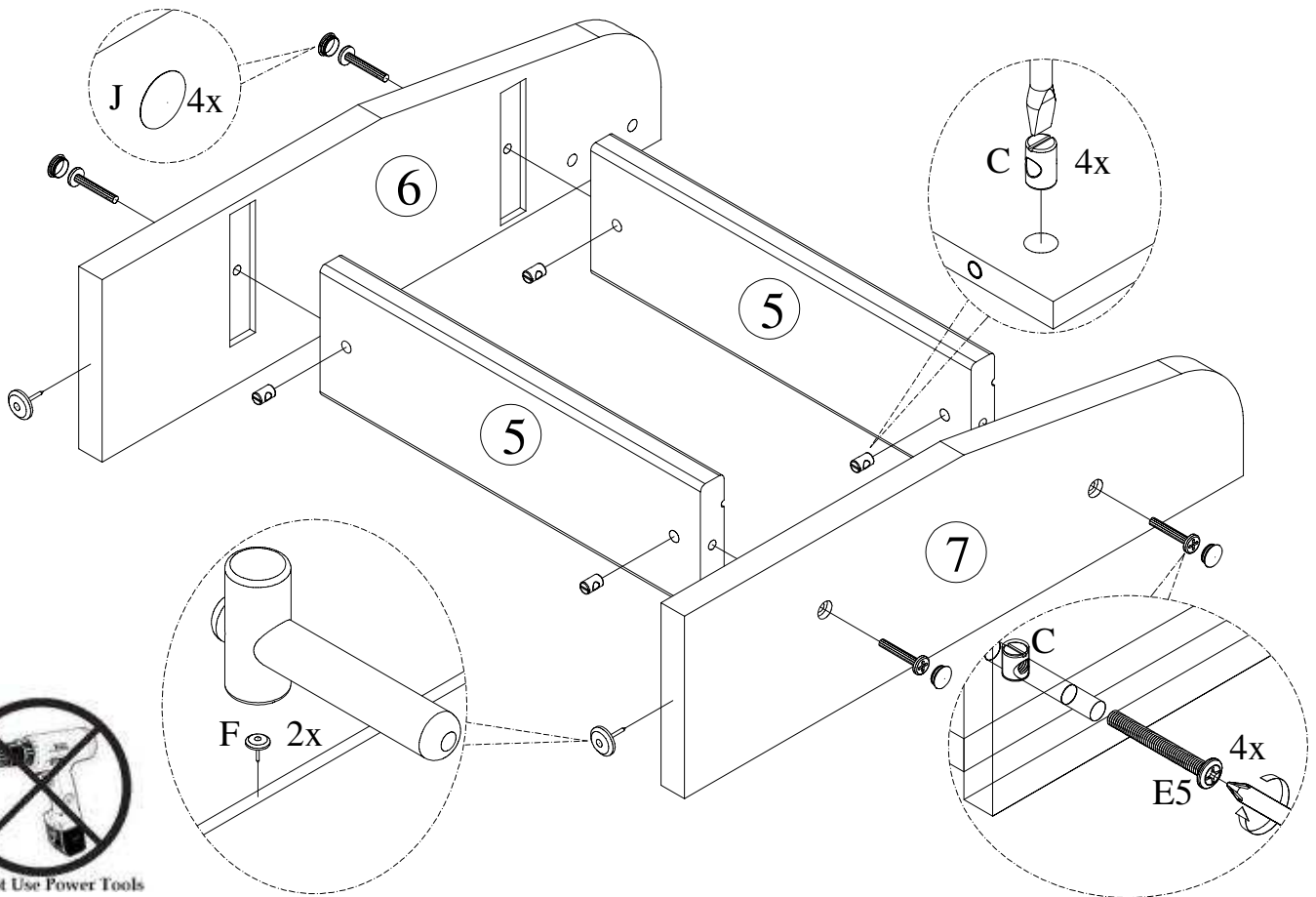
Do Not Use Power Tools

10

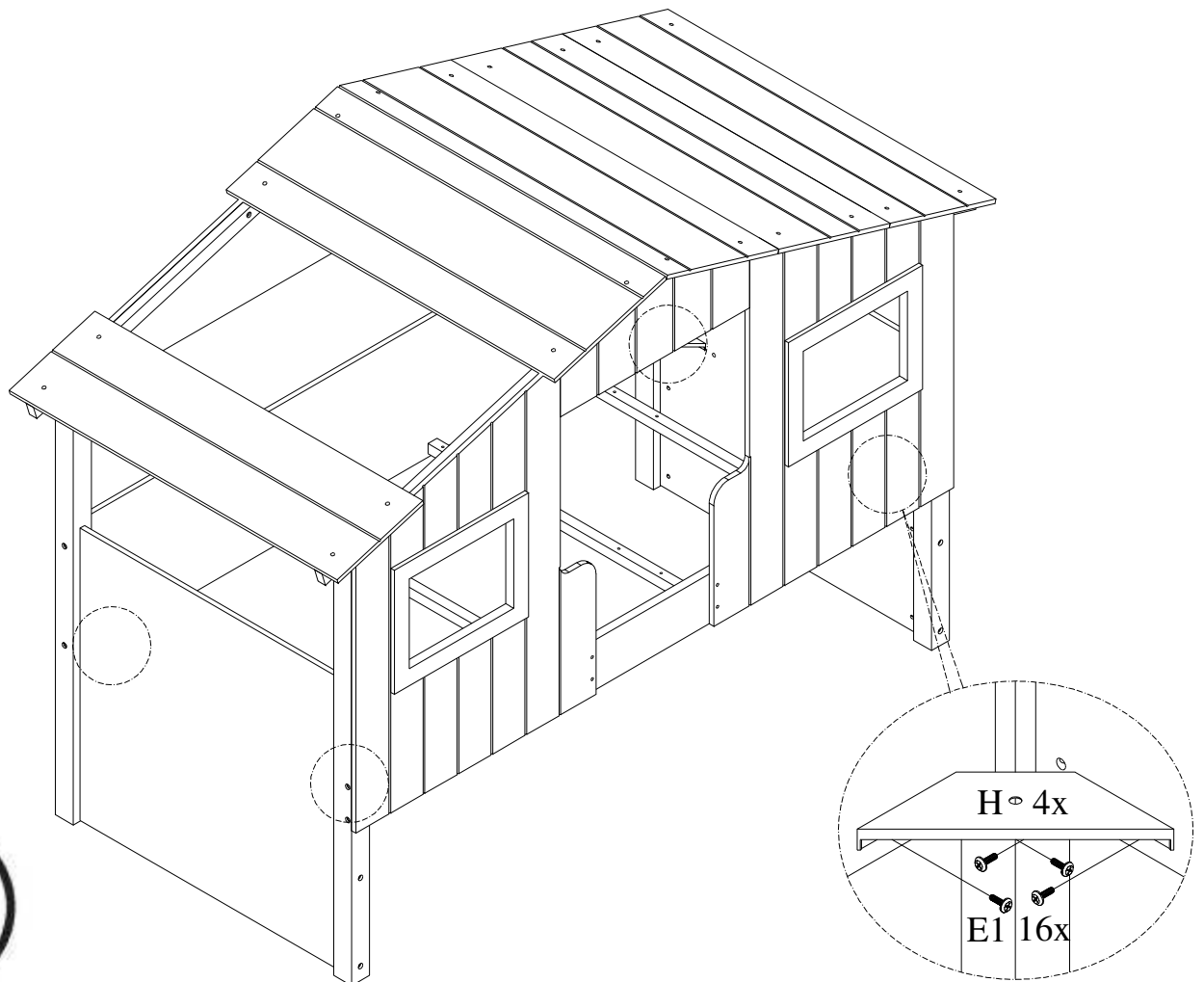


Do Not Use Power Tools

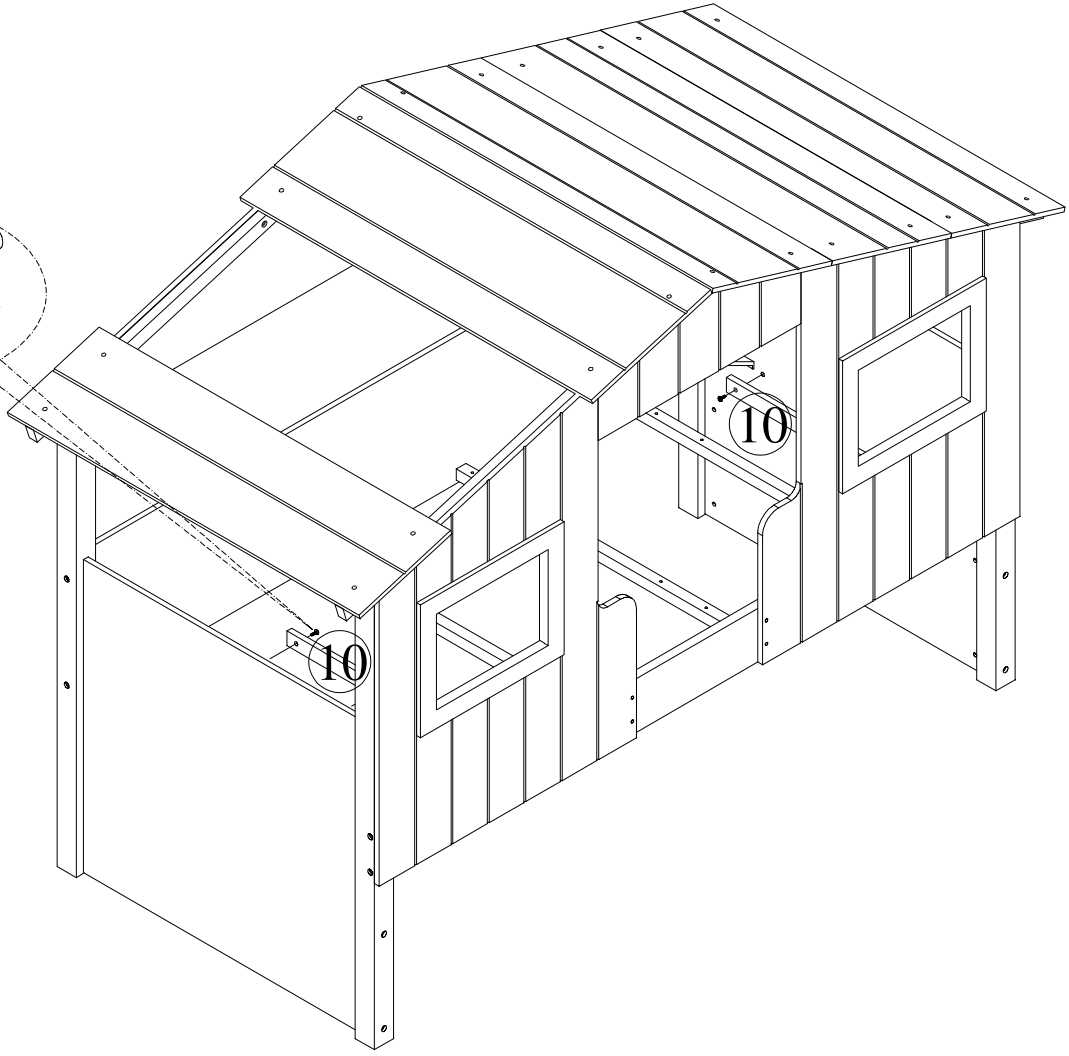
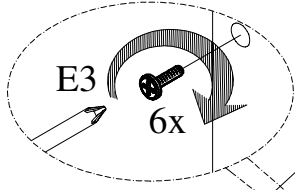
11



12

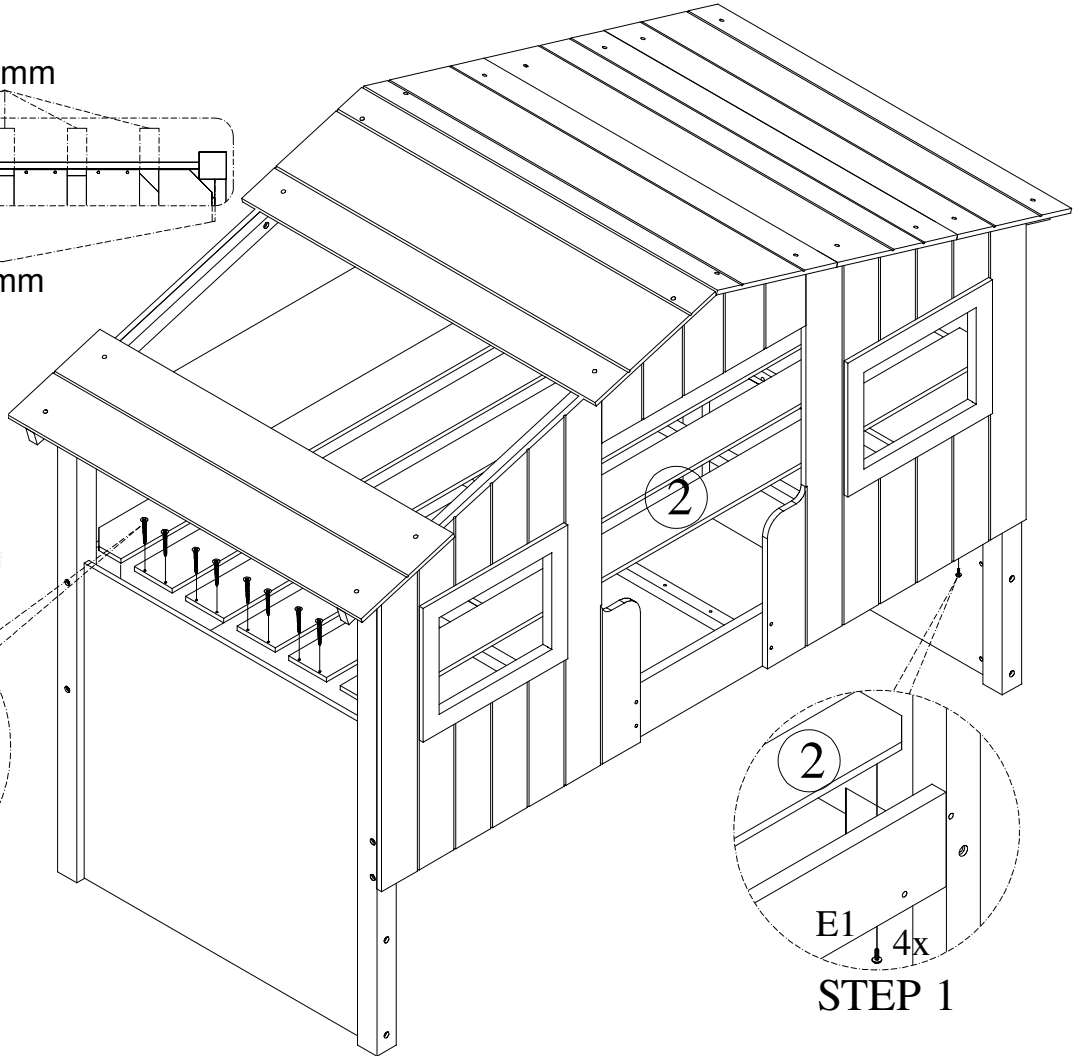
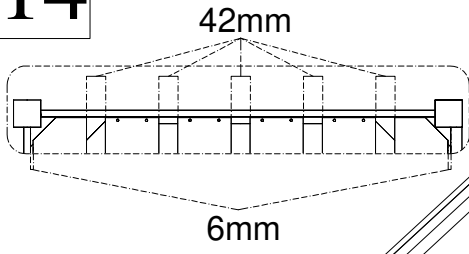


13

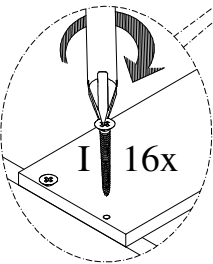


Do Not Use Power Tools

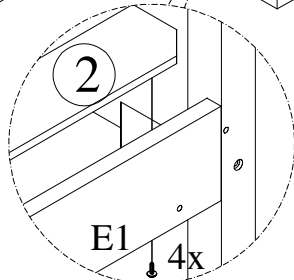
14



Do Not Use Power Tools



STEP 2



STEP 1

Please check all hardware matches the list below. Should you notice any are missing please contact your retailer.

**A**



14x11mm

42x

**B**



6x35x8mm

42x

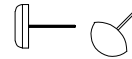
**D2**



8x30mm

22x

**F**



20X15mm

14x

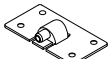
**K**



3.5x14mm

54x

**L**



85x45x18mm

6x

**M**



85x45x12mm

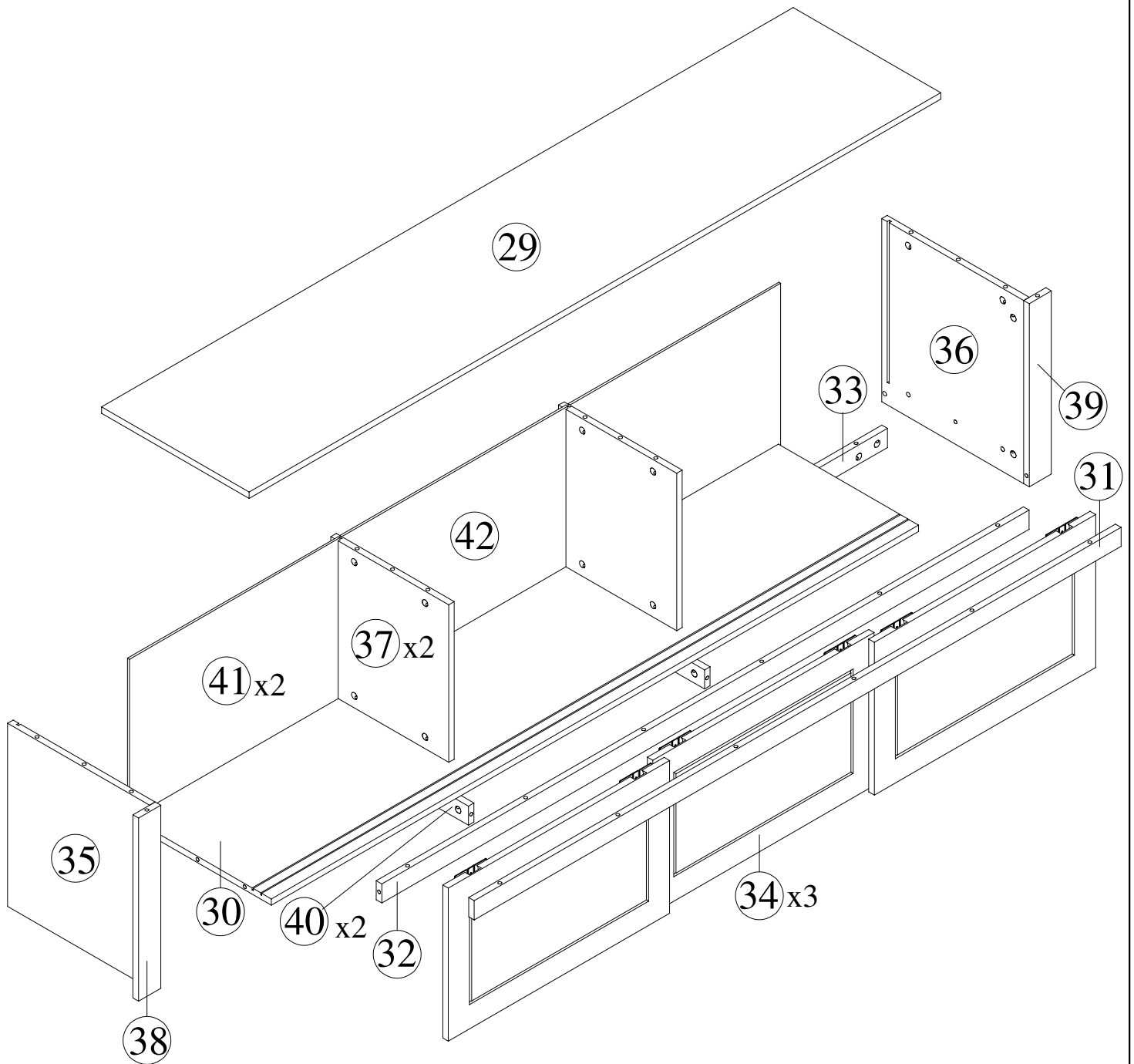
6x

We strongly advise that you do not use Power Tools, such as drills or electric screwdrivers during the assembly as this may cause irreparable damage and will invalidate your warranty.



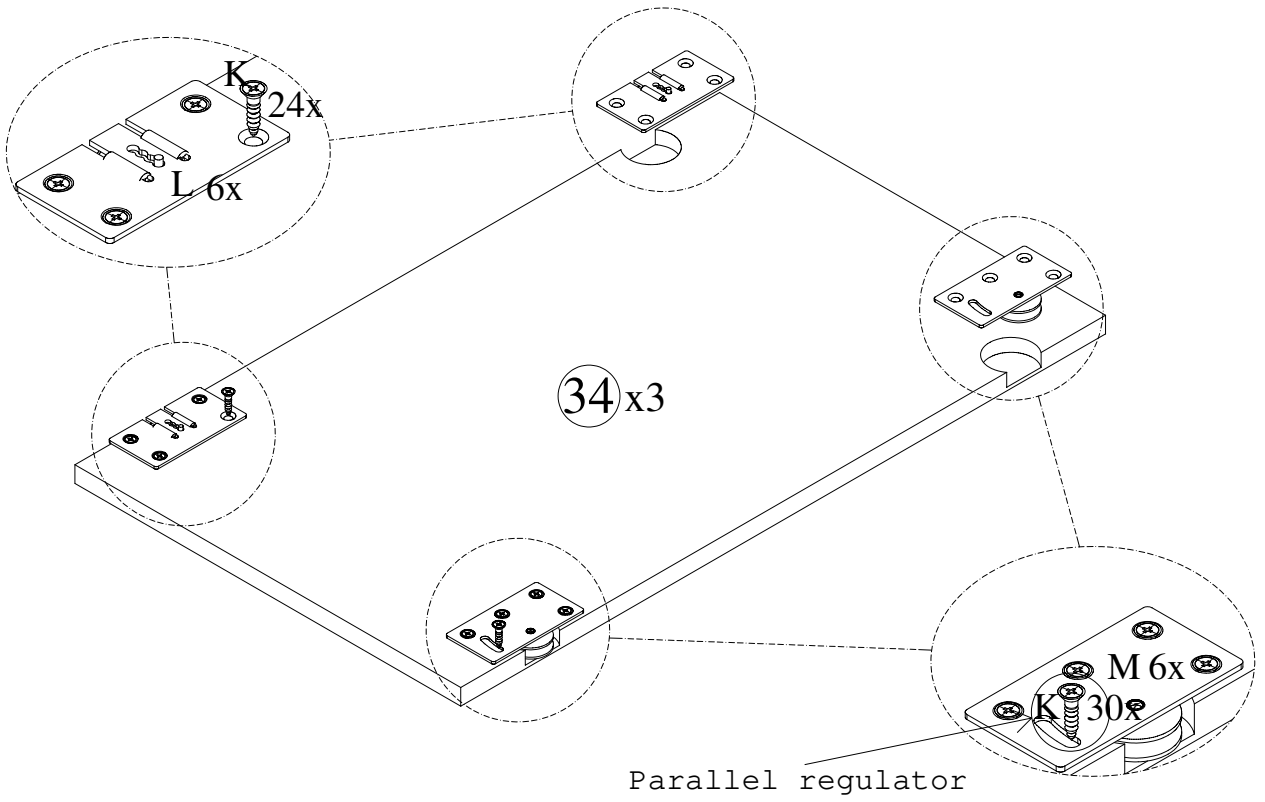


# PARTS



Please ensure you carefully check all the pieces, should you have any concerns please contact the retailer before assembly commences. Please have your order number, details of the issue, the product code, and the batch number from the cartons as this will help us to resolve your issue much faster.

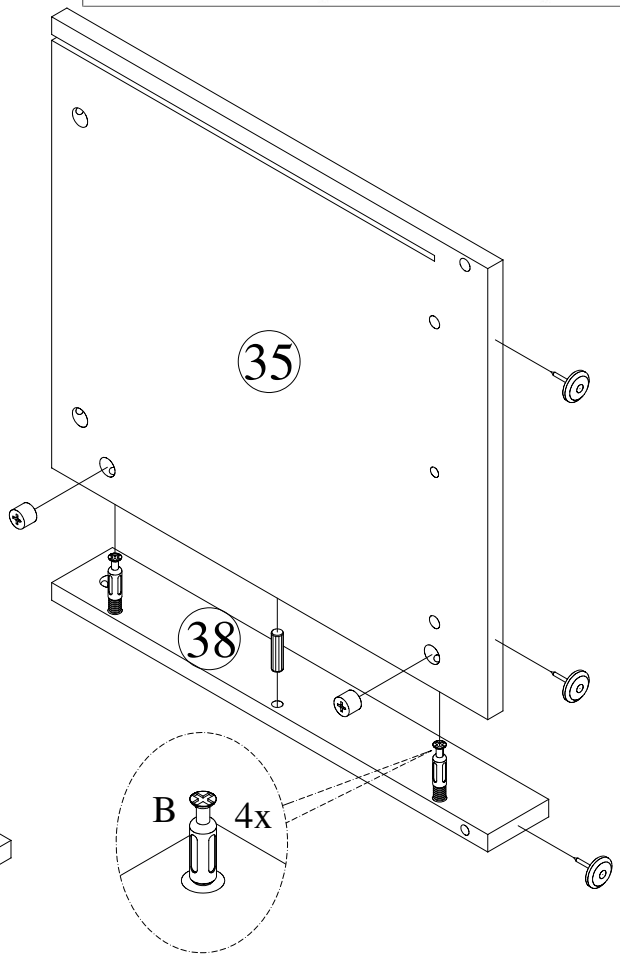
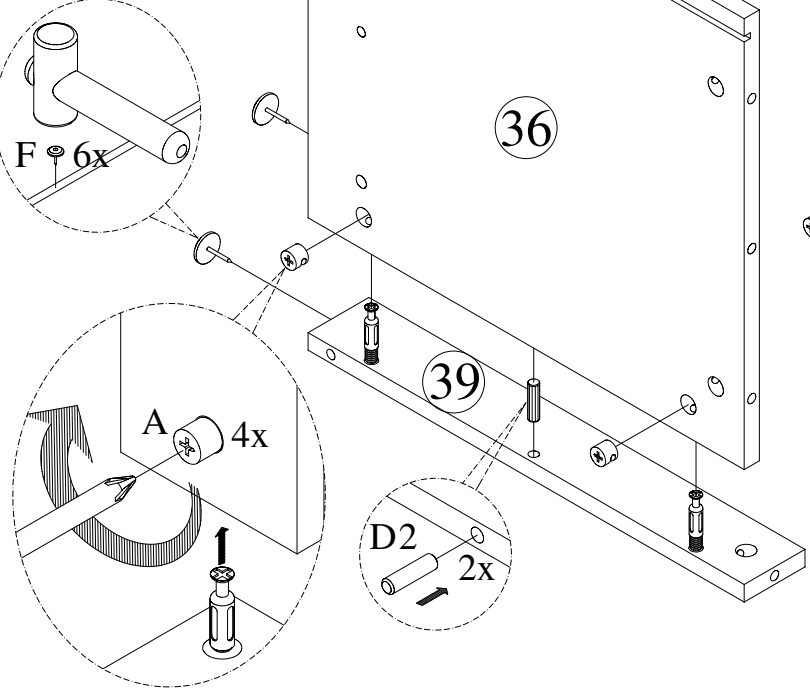
15



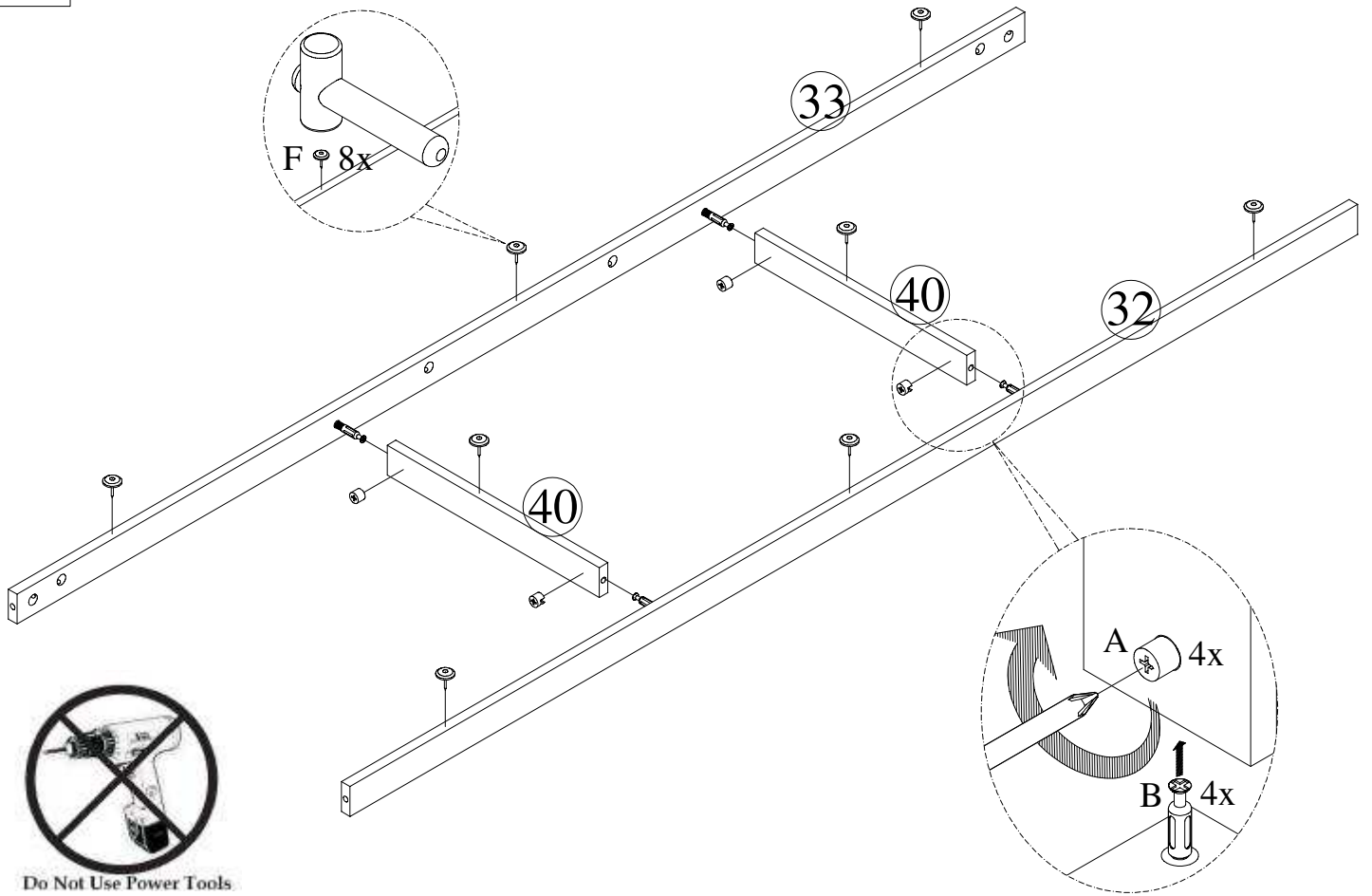
**WHEN FITTING CAMS**  
 ENSURE STARTING POSITION IS CORRECT  
 BEFORE YOU INSERT CONNECTING BOLT  
 TURN CLOCKWISE UNTIL SECURE

✓	 CORRECT	 WRONG	✗
---	-------------	-----------	---

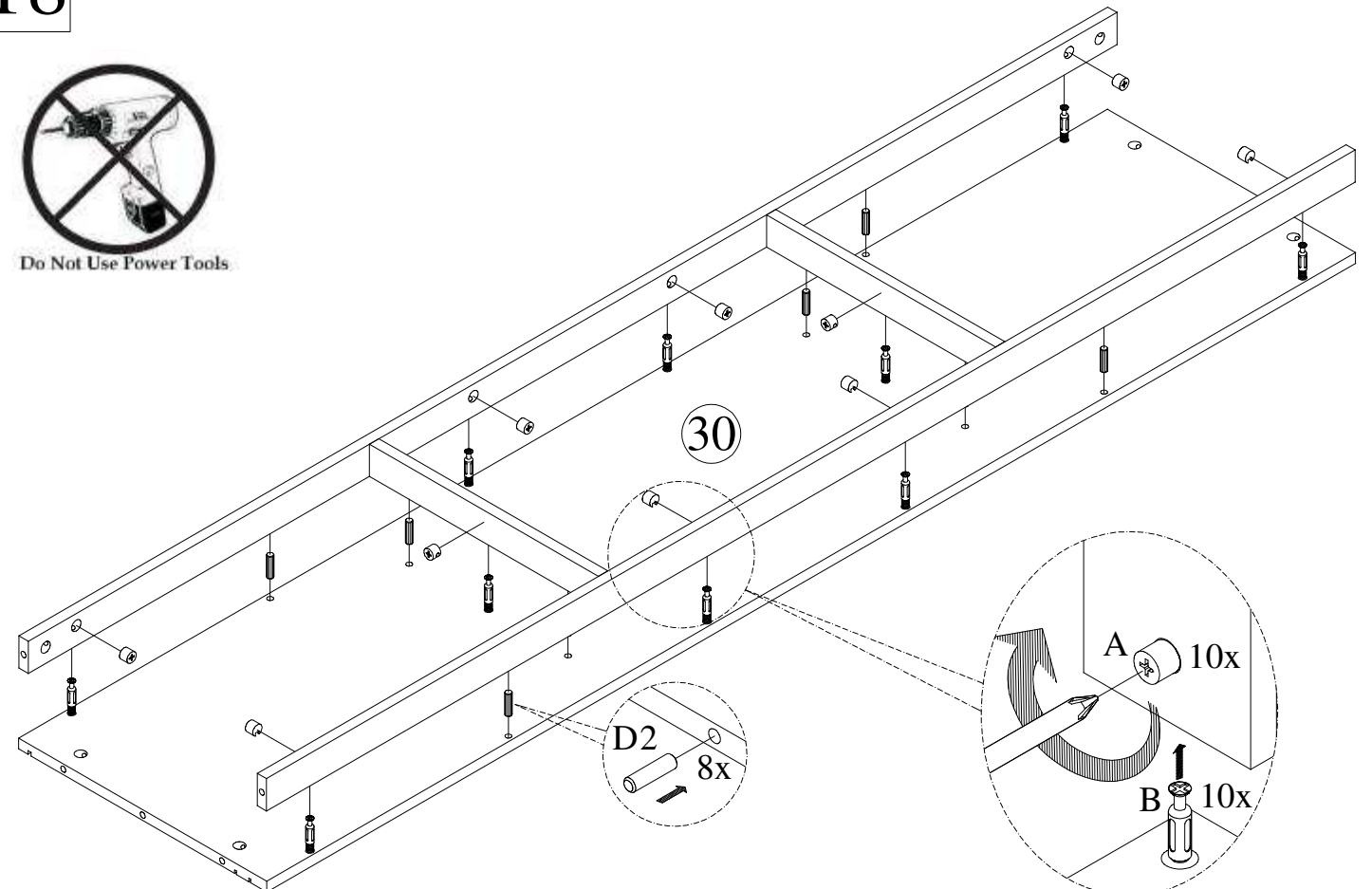
16



17



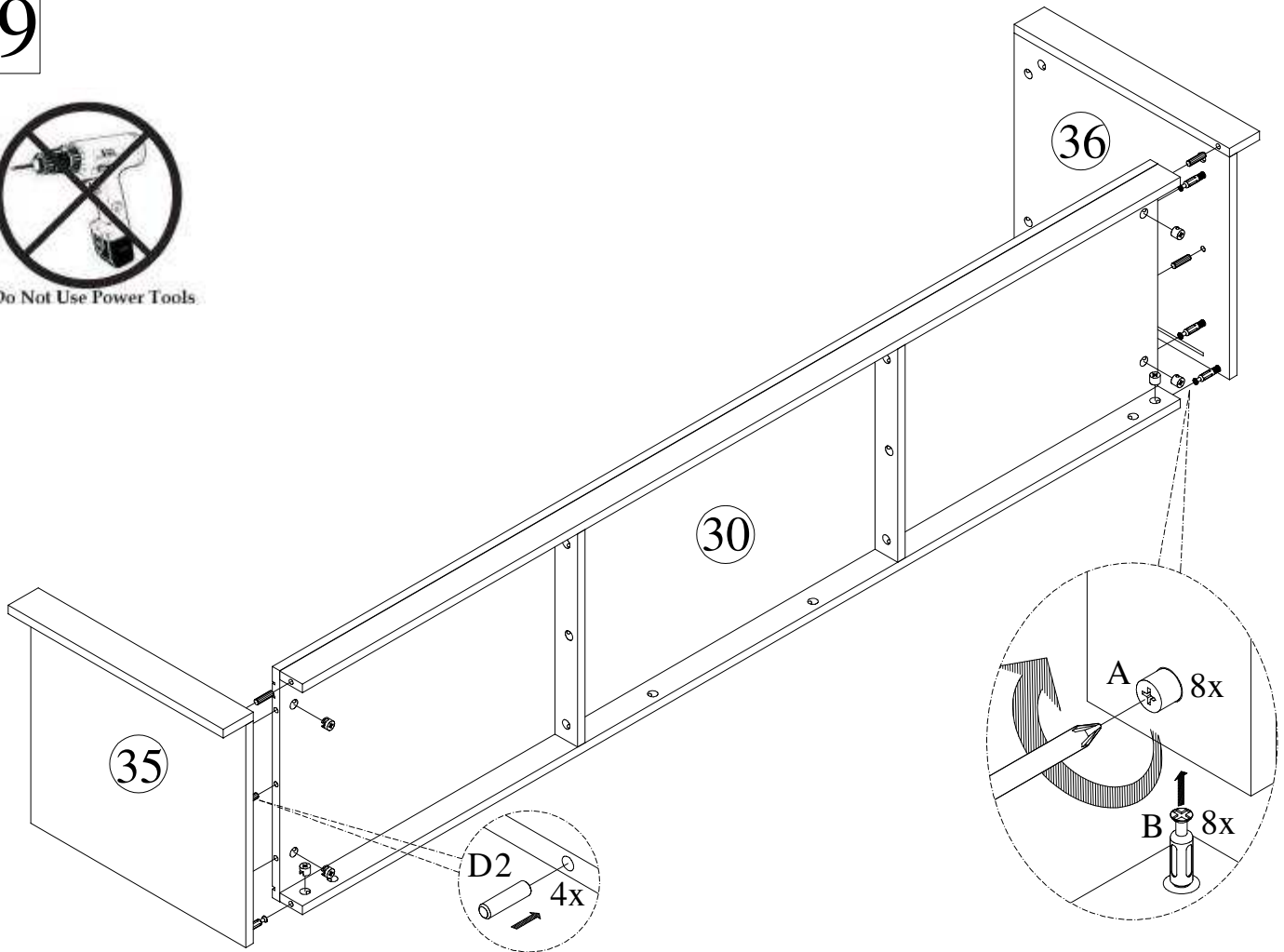
18



19



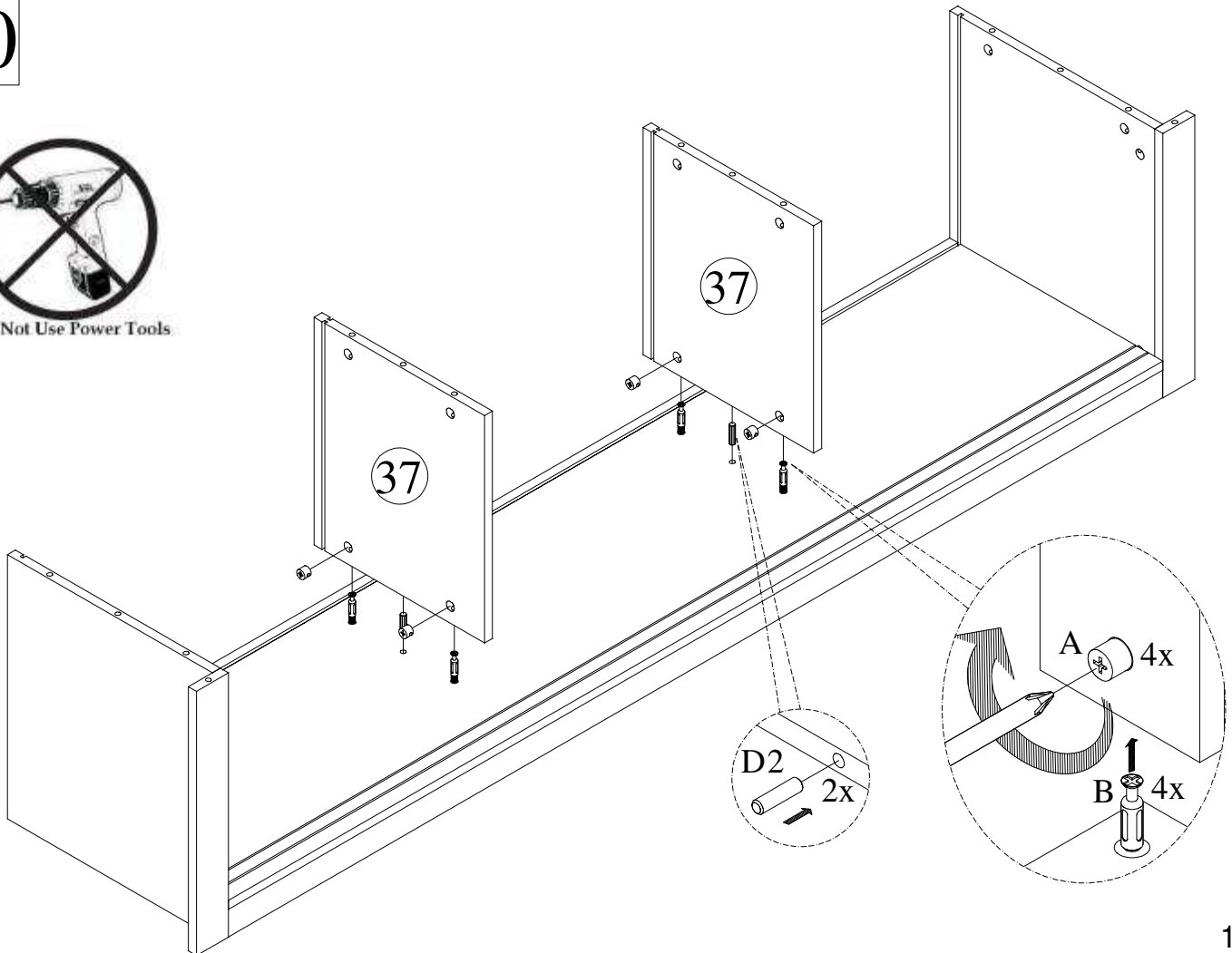
Do Not Use Power Tools



20



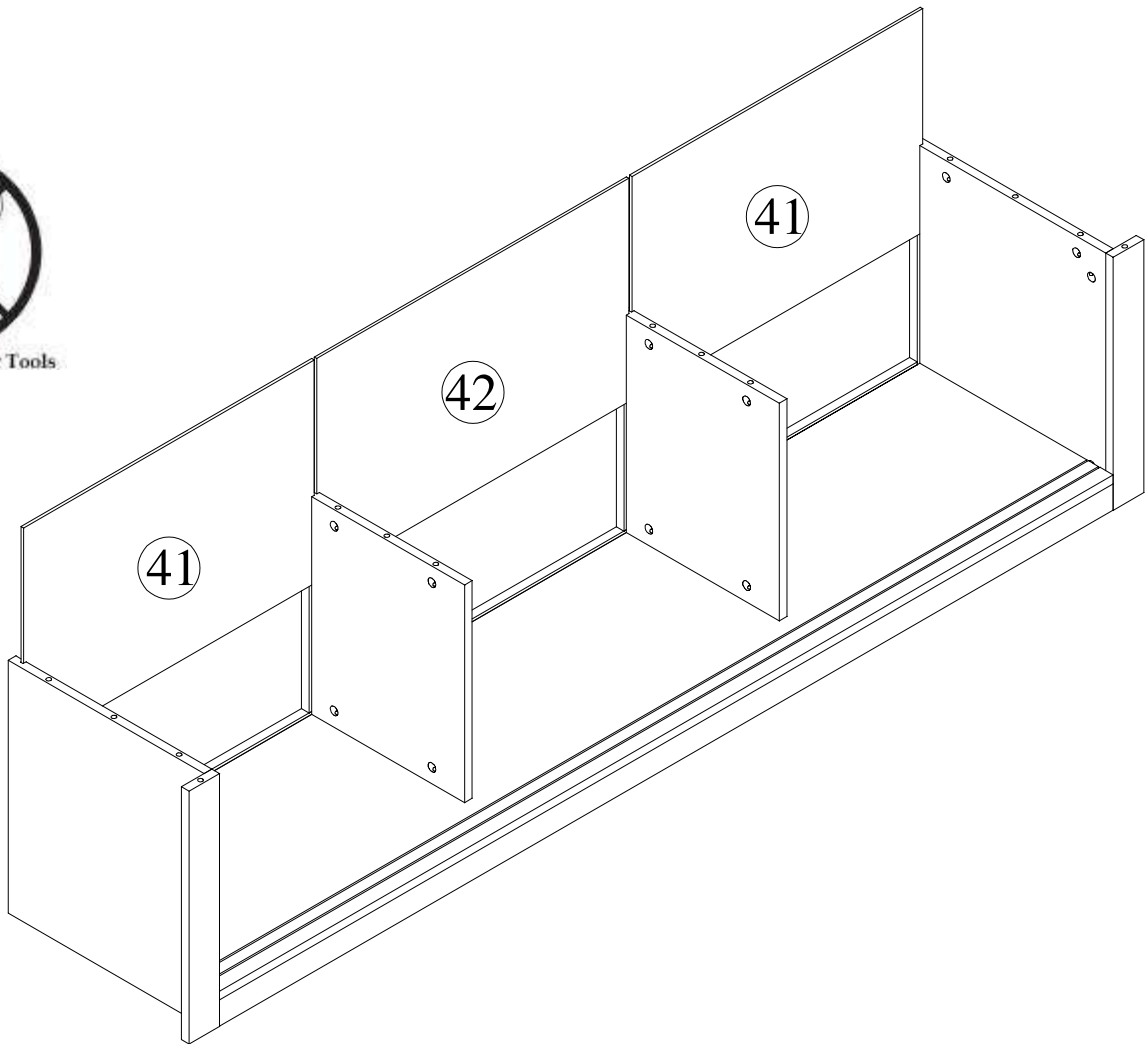
Do Not Use Power Tools



21



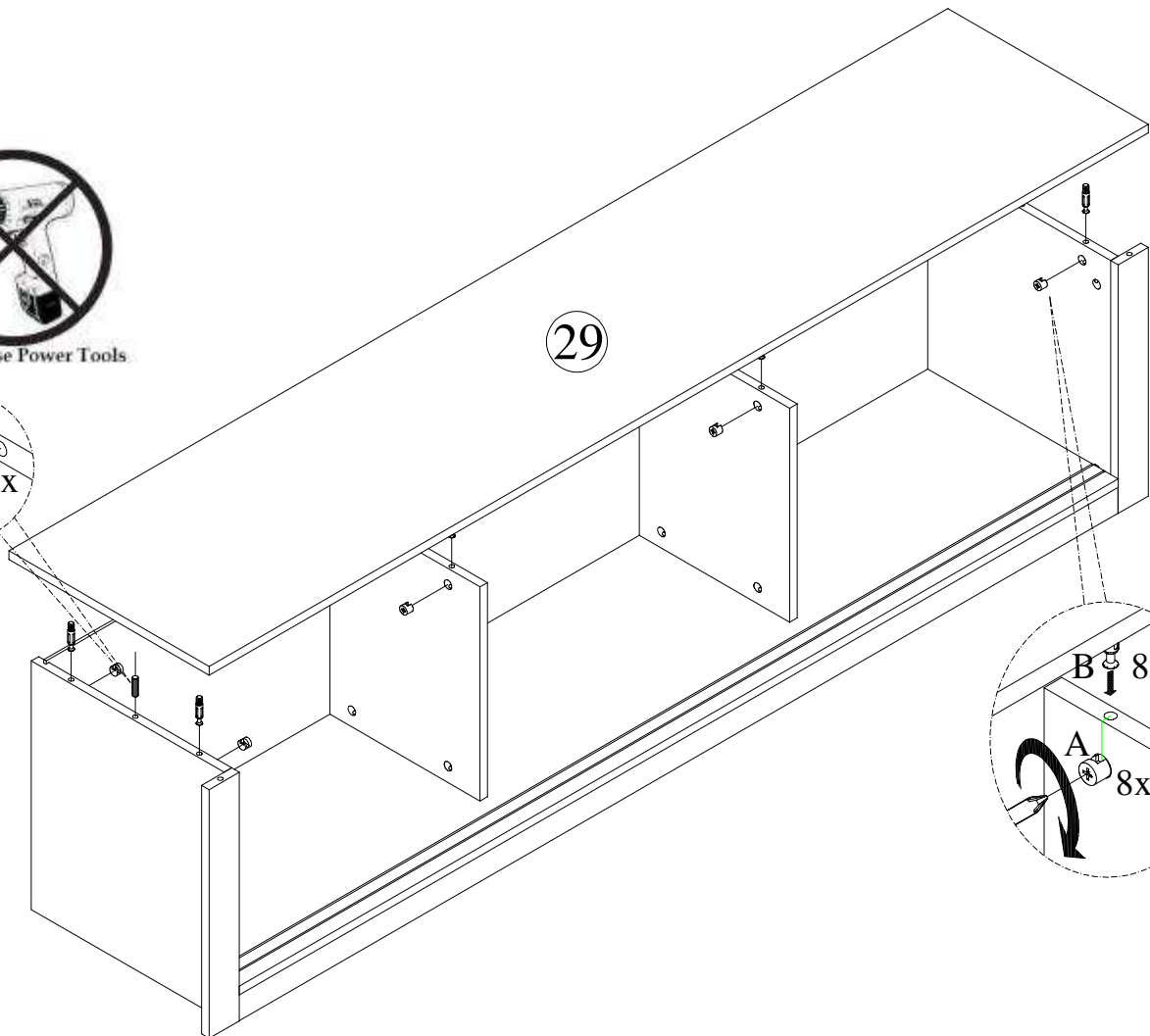
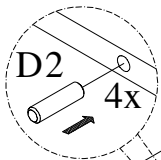
Do Not Use Power Tools



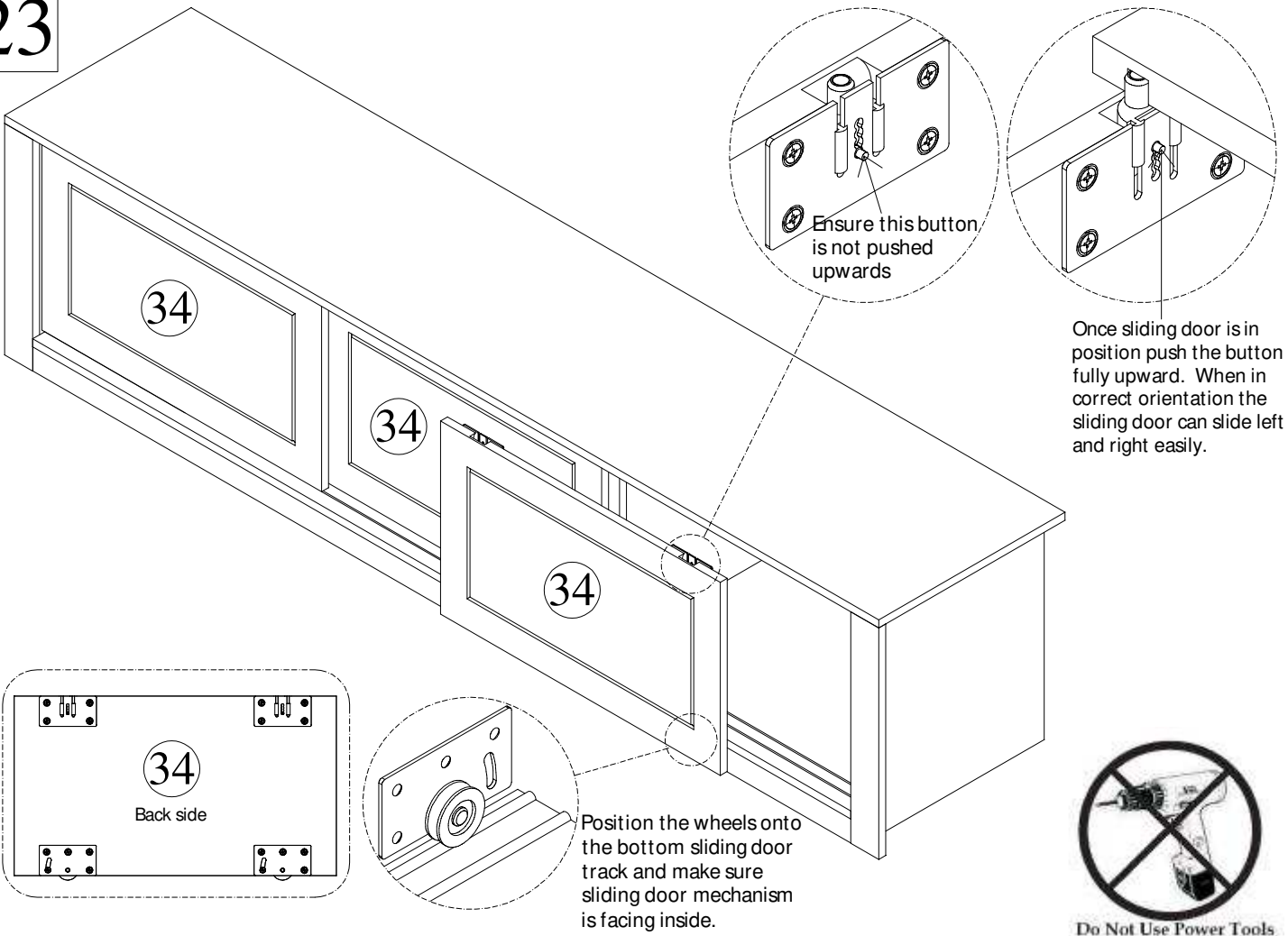
22



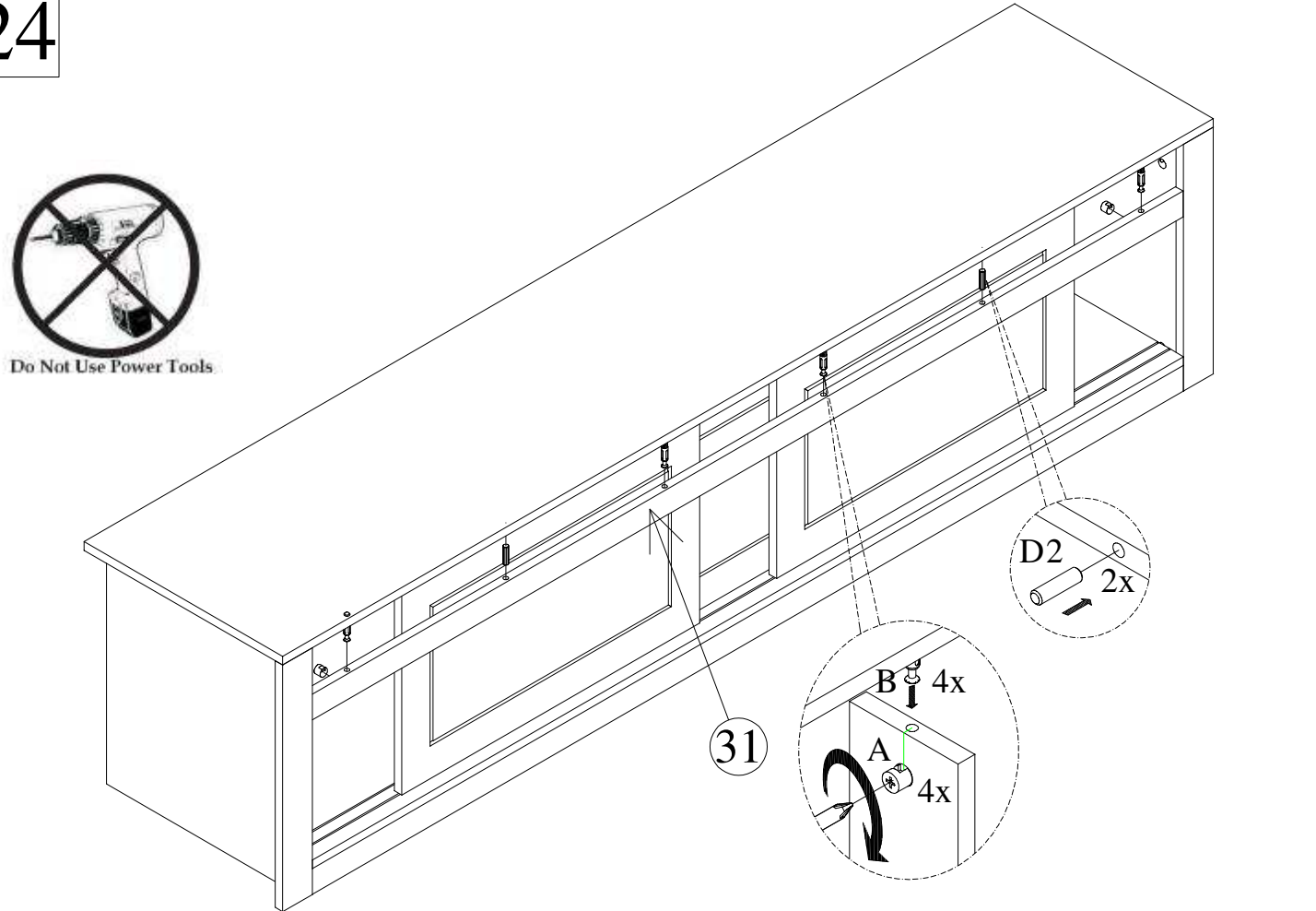
Do Not Use Power Tools



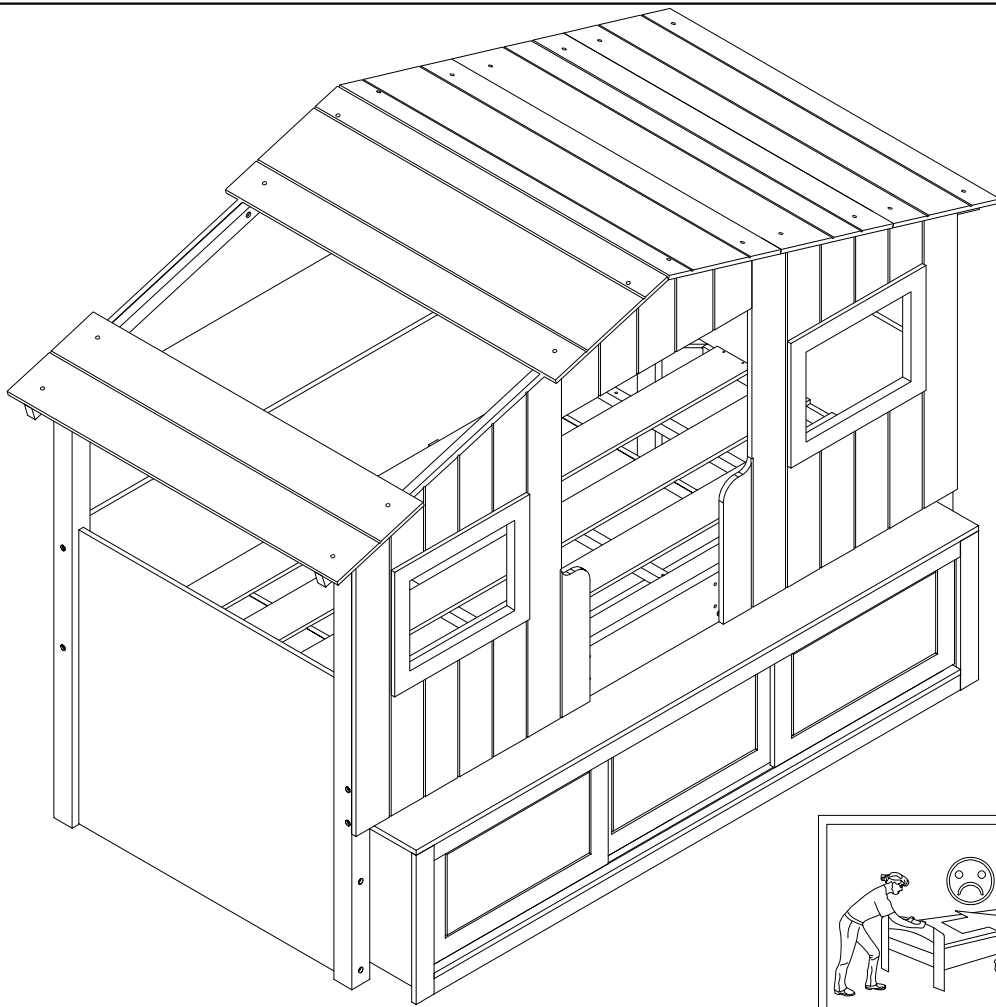
# 23



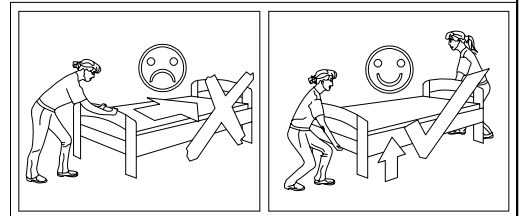
# 24



25



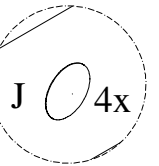
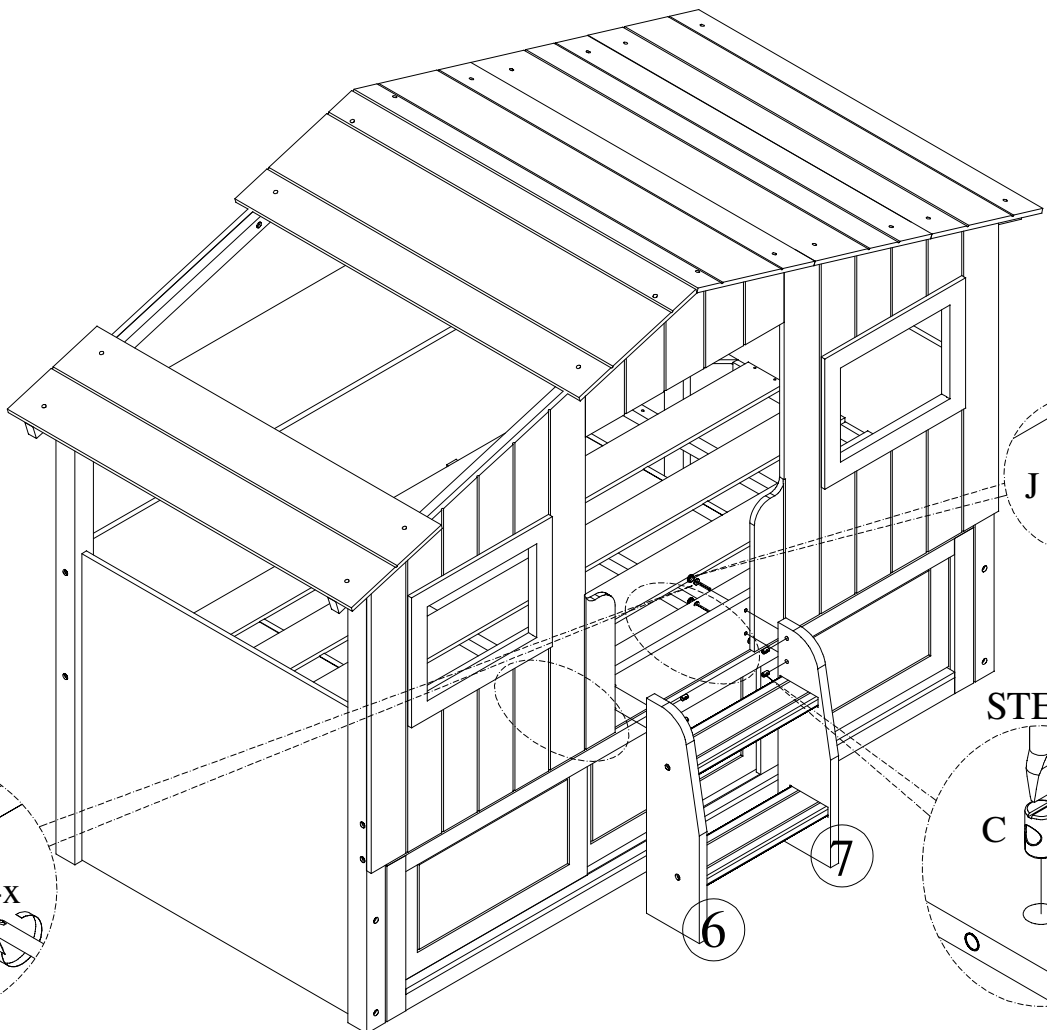
Do Not Use Power Tools



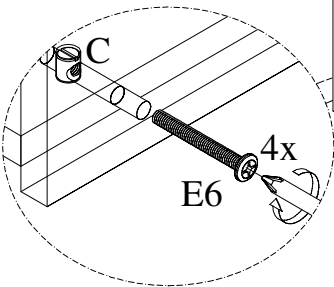
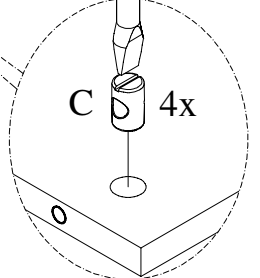
26



Do Not Use Power Tools

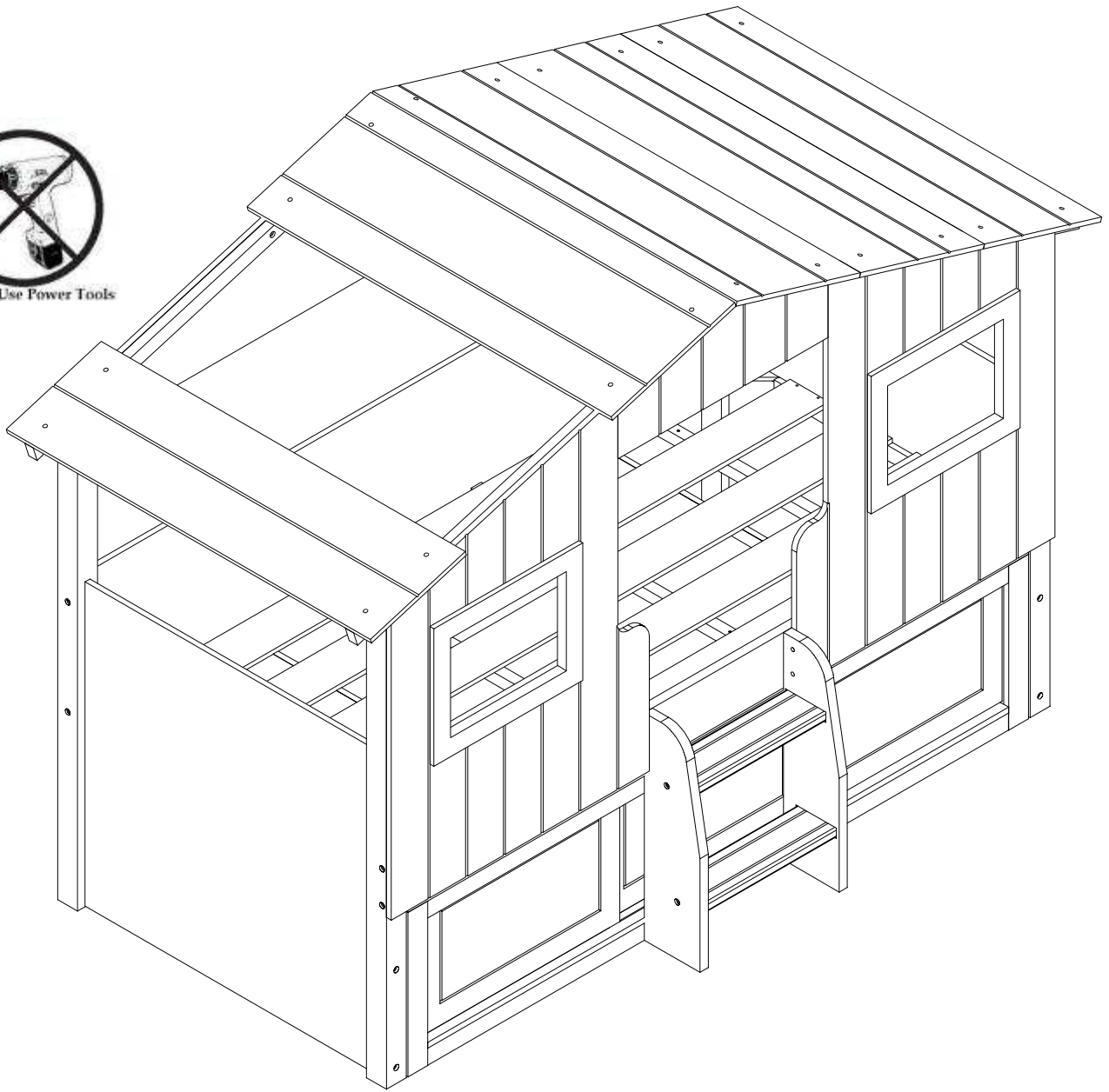


STEP 1





Do Not Use Power Tools



Your Single Bed Is Now Fully Assembled And Ready For Use.



Please dispose of all packaging safely.

## General Care & Maintenance

Wipe clean with a slightly damp cloth.  
Avoid the use of all household cleaners and abrasives.

Periodically check all screw & fixings to ensure they are secure.

When moving your product, carefully lift into place. Never drag or push the product across the floor as this will cause damage to the joints. If the product is used on hard flooring, such as wood or laminated floor, you must place some protection under the legs to stop the product from moving. If this is not adhered to, it could result in failure to the product that will invalidate the warranty.

For more information on cleaning and product care visit:  
<https://www.happybeds.co.uk/help-and-advice>

## Notes

In the unlikely event that you have problems putting this product together or have damaged or missing parts, please contact us by visiting:  
<https://www.happybeds.co.uk/customer-service>