

Assembly Instructions

Important before assembly:

Read these instructions carefully before assembling or using the product.

Please check the contents of the boxes before attempting to assemble this product. The instructions will have a checklist of parts and fittings.

Assemble the product as close to its intended final location/room as possible.

Health & Safety:

This product or some parts of this product will be heavy. Please use an assistant when lifting.

Please keep small parts out of reach of children.

Always use on a level, even surface.

DO NOT jump on the product or any of its parts.

DO NOT use this product if any parts are missing, damaged or worn.

DO NOT use this product unless all fixings are secured.

Further instructions are on the following pages.

Please keep these instructions for future reference.



This product or some parts of this product will be heavy. Please use an assistant when lifting.



Never drag or push the pieces across a hard or stone floor as this will cause damage to the joints. Use a carpet or a rug for extra care.



If you have problems assembling or have damaged or missing pieces, please contact our customer services (details at the back of these instructions)



Important for High Sleepers, Bunk Beds and Children's Beds

Warning:

High sleepers and the upper tier of bunk beds are not suitable for children under 6 years of age due to risk of injury from falls.

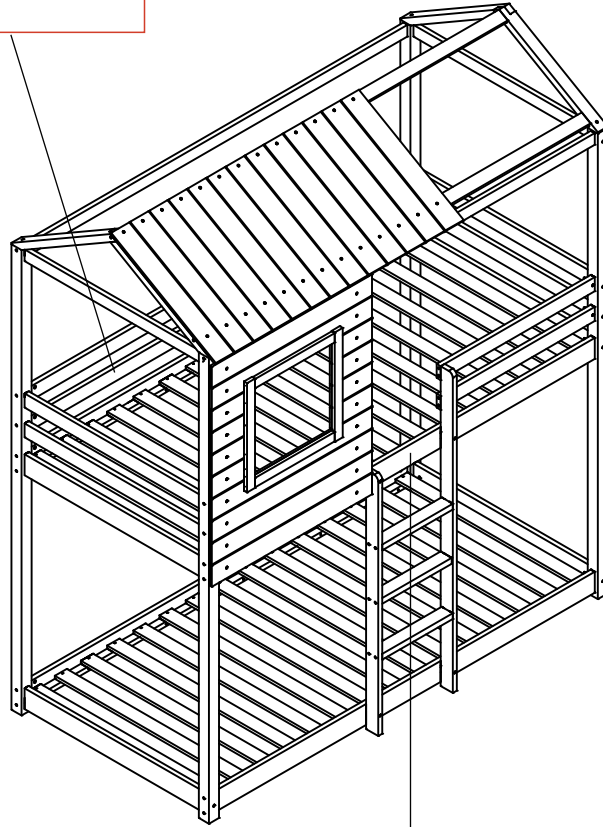
High Sleepers and Bunk Beds present a risk of injury from strangulation if used incorrectly. Never attach or hang anything on any part of the bed that is not designed to be used with the bed, for example, but not limited to ropes, strings, cords, hooks, belts and bags.

Children can become trapped between the bed and the wall, a roof pitch, the ceiling and other pieces of furniture (e.g. wardrobes). To avoid risk of serious injury, the distance between the top safety barrier and any adjoining structure shall not exceed 75mm or shall be more than 230mm.

Maximum thickness of a mattress on the top tier is 18cm. Please refer to the label or marking on the headboard.

This bed has been tested by an independent laboratory and is in compliance with BS EN 747-1 : 2012+A1:2015 - Standard Consumer Safety specification for bunk beds & high sleepers.

The maximum thickness of the mattress line



DO NOT REMOVE THE EN747 PLATE



Factory ID: Manufactured in China
Date of Manufacture:



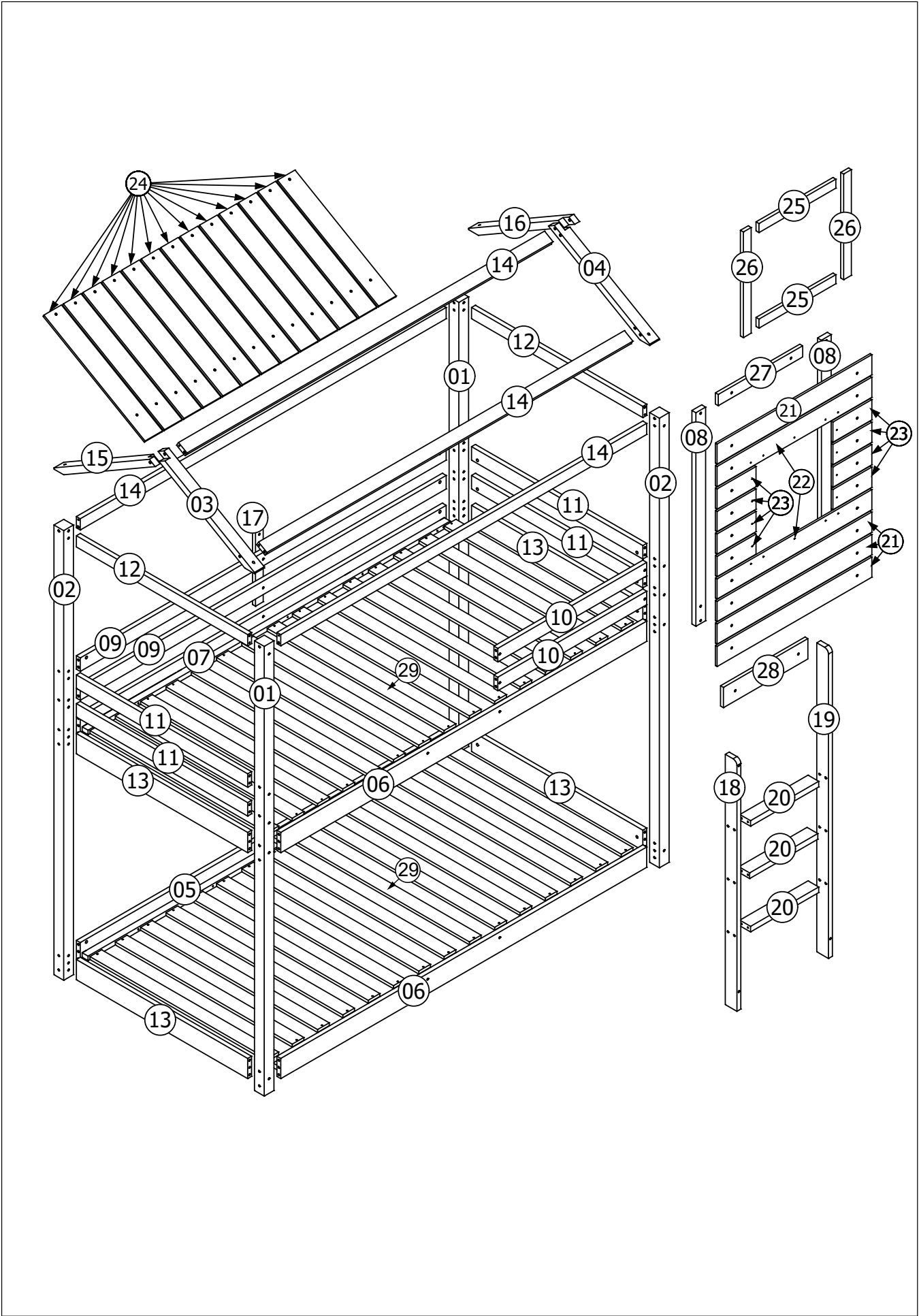
ADVENTURE BUNK BED

Product Code - ADVBBGRY/ADVBBWHT
BIRLEA FURNITURE LTD
UNIT 6A-1, WEST MEADOW RISE,
CASTLE
DONINGTON, DERBYSHIRE, DE74 2HL

CERTIFICATION LABEL

This bunk bed model has been tested
by an independent laboratory and is
in compliance with
BS EN 747-1&2:2012 +A1:2015 -
Standard Consumer Safety Specification
For Bunk Beds & High Beds

WARNING: THIS UPPER BED IS NOT SUITABLE FOR CHILDREN UNDER SIX YEARS

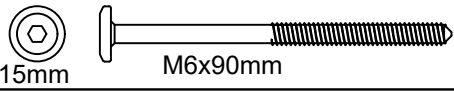
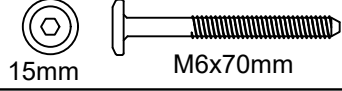
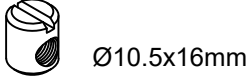
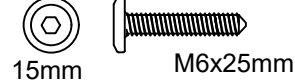


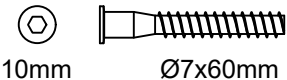

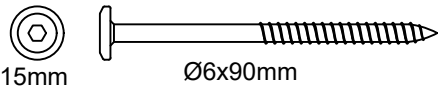
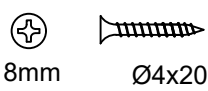
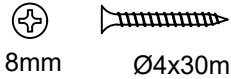

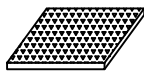

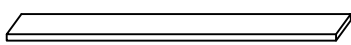

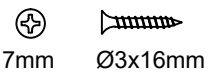


**You will need a screwdriver and a small mallet (not provided).

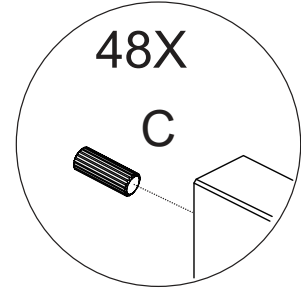
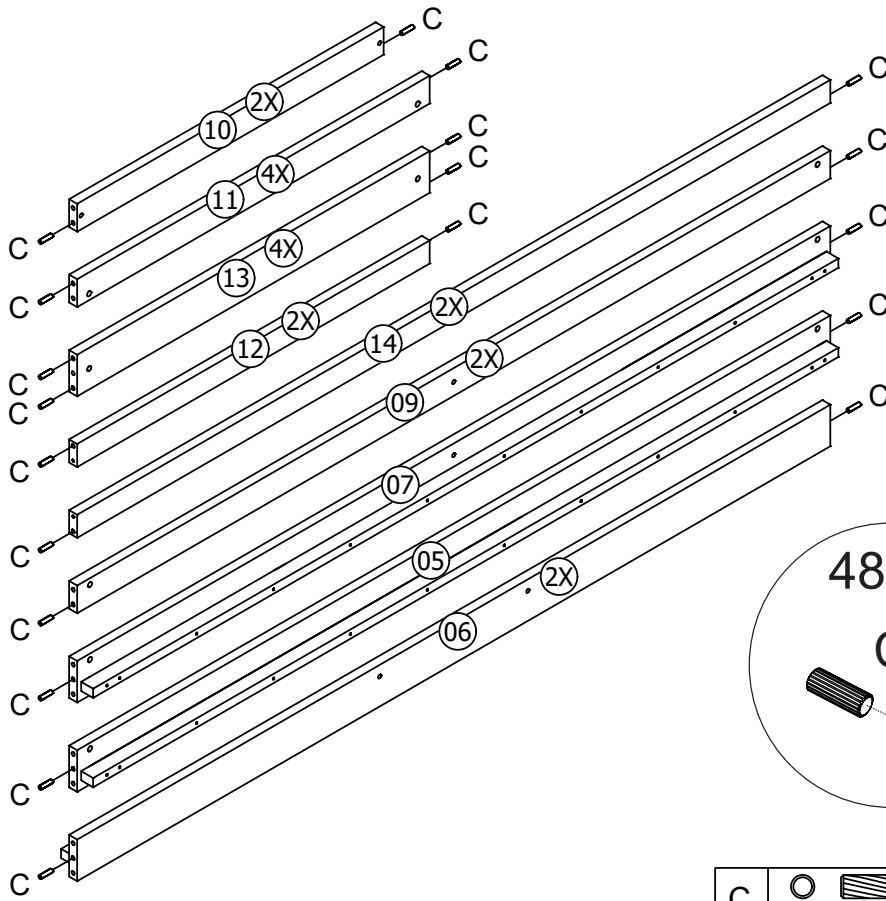
****2 PERSON ASSMBLY.**



Parts List							
PART	DESCIRPTION	QTY	BOX	PART	DESCIRPTION	QTY	BOX
1	FRAME LEG-1	2	1	16	BACK ROOFTREE(RIGHT)	1	1
2	FRAME LEG-2	2	1	17	SAFETY BARRIER SUPPORT RAIL	1	1
3	FRONT ROOFTREE(LEFT)	1	1	18	LADDER RAIL	1	1
4	FRONT ROOFTREE(RIGHT)	1	1	19	LADDER RAIL	1	1
5	BASE SIDERAIL(BACK)	1	1	20	TREADS	3	1
6	SIDERAIL(FRONT)	2	1	21	WINDOW PANEL	4	2
7	UPPER SIDERAIL(BACK)	1	1	22	WINDOW PANEL	2	2
8	WINDOW VERTICAL FRAME	2	1	23	WINDOW PANEL	8	2
9	SAFETY BARRIERS(BACK)	2	1	24	ROOF	13	2
10	SAFETY BARRIERS(FRONT)	2	2	25	HORIZONTAL WINDOW FRAME	2	2
11	SAFETY BARRIERS(2 SIDES)	4	2	26	VERTICAL WINDOW FRAME	2	2
12	TOP FRAME(2 SIDES)	2	1	27	WALL BACK FRAME	1	2
13	2 ENDS PANELS	4	2	28	WALL BACK FRAME	1	2
14	TOP RAILS	4	1	29	SLATS	2	3
15	BACK ROOFTREE(LEFT)	1	1				

HARDWARE (IN BOX1)

A	 15mm M6x90mm	38	H	 15mm M6x70mm	04
B	 Ø10.5x16mm	38	I	 15mm M6x25mm	03
C	 8mm Ø8x30mm	48	J	 15mm M8x20mm	07
D	 10mm Ø7x60mm	14	K	 4mm	02
E	 15mm Ø6x90mm	12	L	 8mm Ø4x20mm	64
F	 8mm Ø4x30mm	76	M	 Ø8mm	14
G	 40x40mm	04	N	 Ø10.5mm	02
O	 795x30x5mm				
P		03	Q	 7mm Ø3x16mm	06

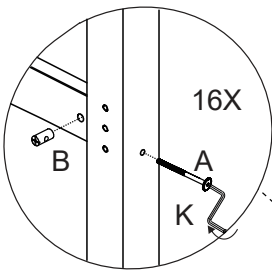
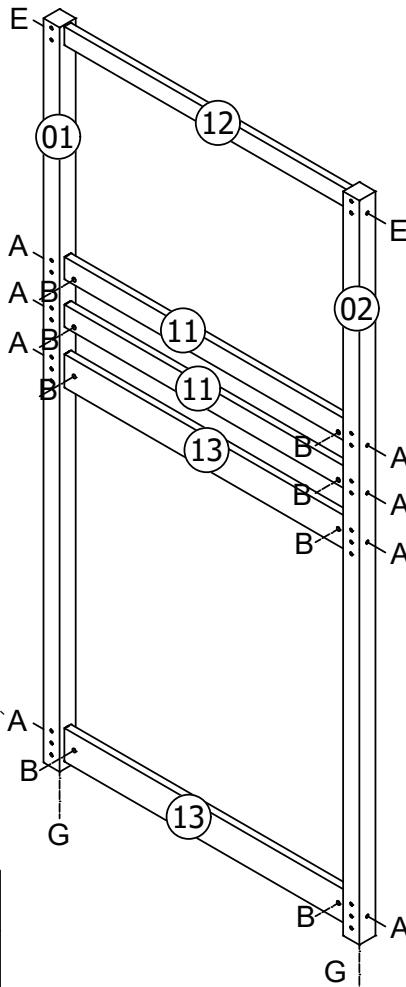
01






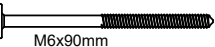


C	 8mm	 Ø8x30mm	48
---	---	---	----

02

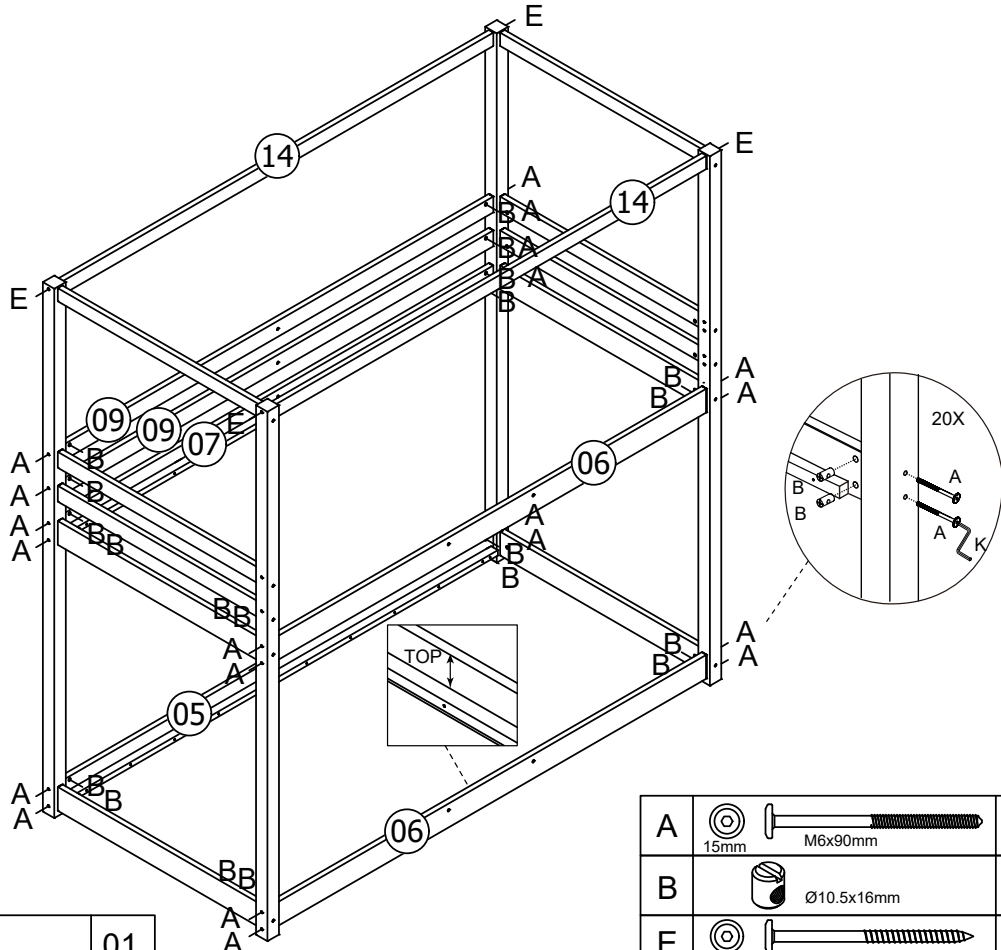
2X







G	 40x40mm	04
K	 4mm	01

A	 15mm	 M6x90mm	16
B		Ø10.5x16mm	16
E	 15mm	Ø6x90mm	04

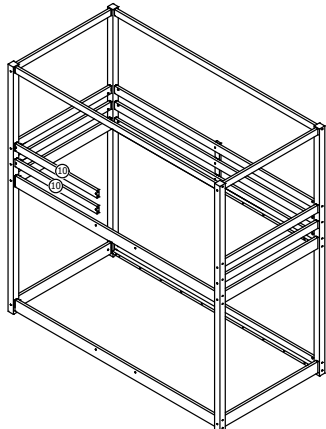
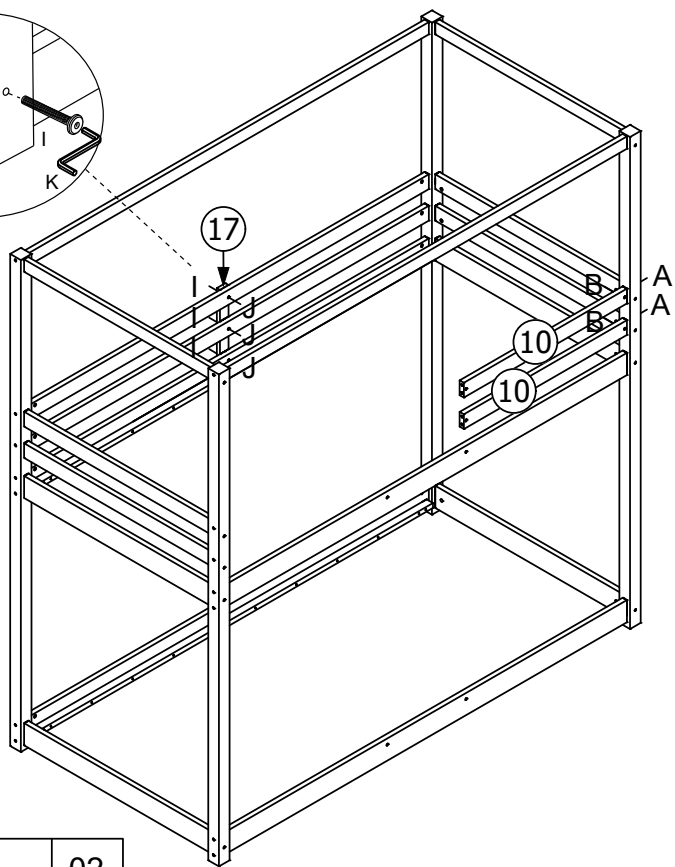
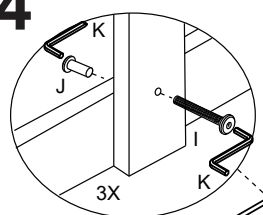
03






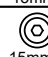
K  4mm 01

A	 15mm	M6x90mm	20
B		Ø10.5x16mm	20
E	 15mm	Ø6x90mm	04

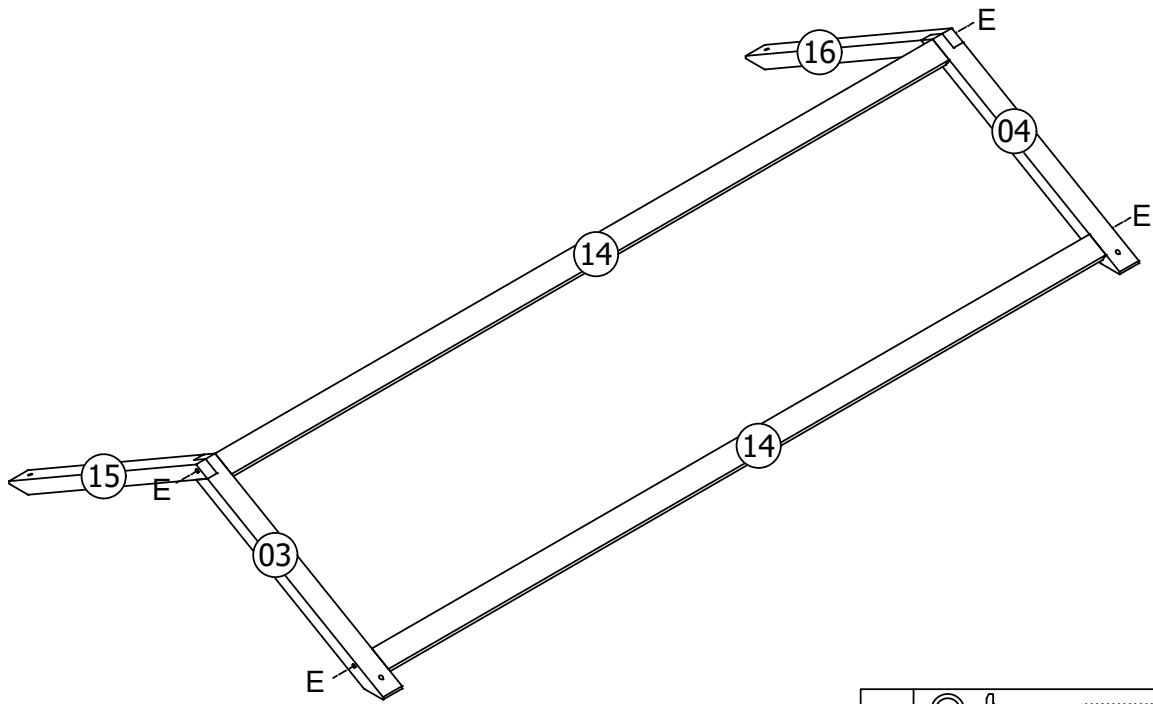
04



K  4mm 02

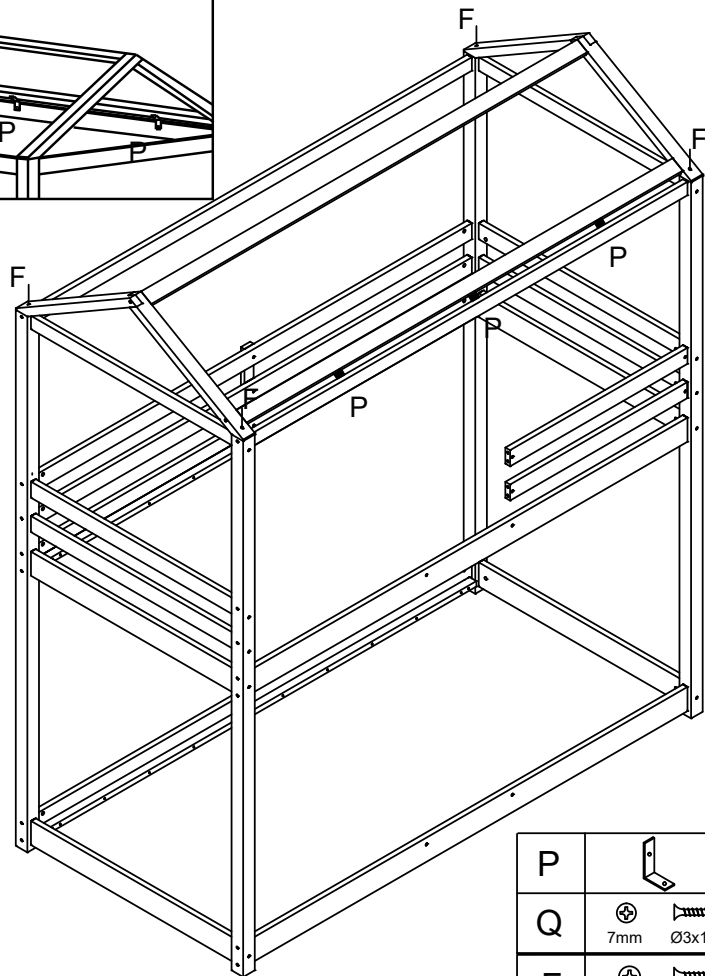
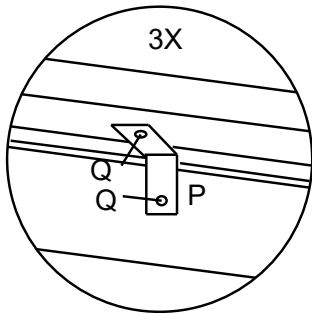
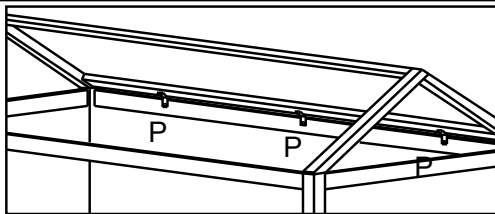
A	 15mm	M6x90mm	02
B		Ø10.5x16mm	02
I	 15mm	M6x25mm	03
J	 15mm	M8x20mm	03

05

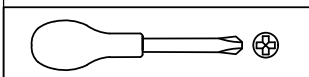


E			Ø6x90mm	04
K			4mm	01

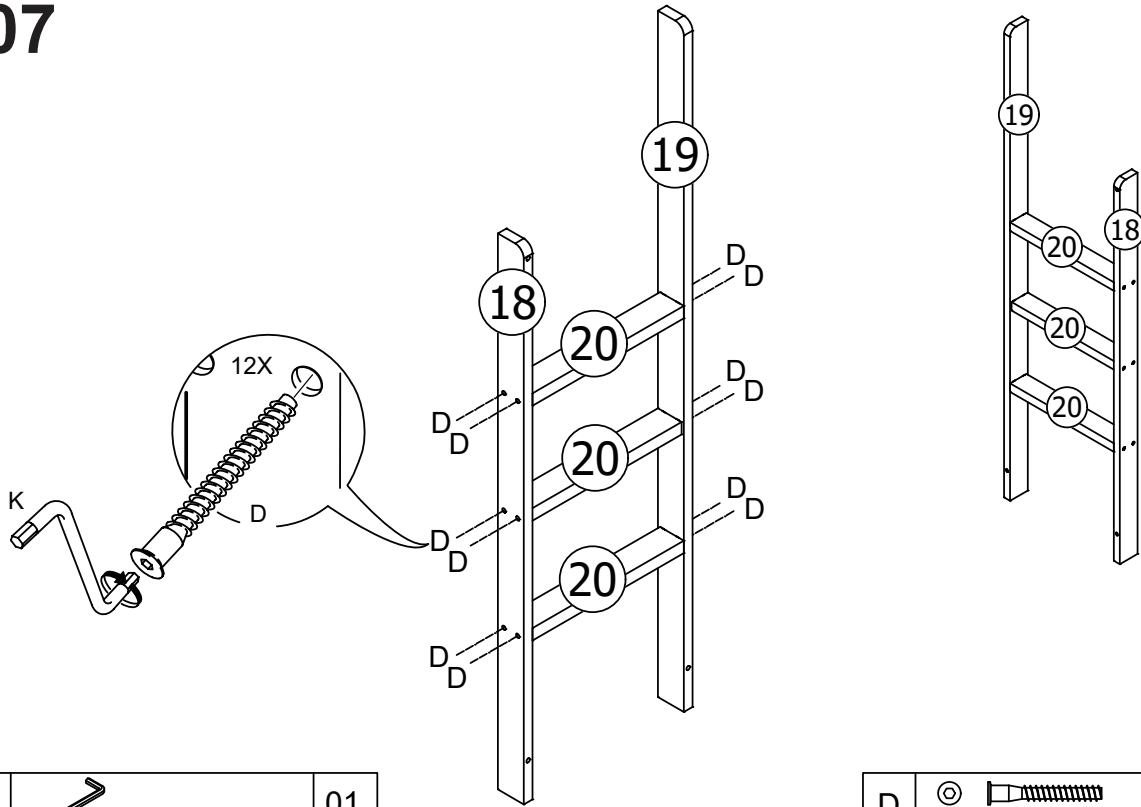
06



P				03
Q			Ø3x16mm	06
F			Ø4x30mm	04



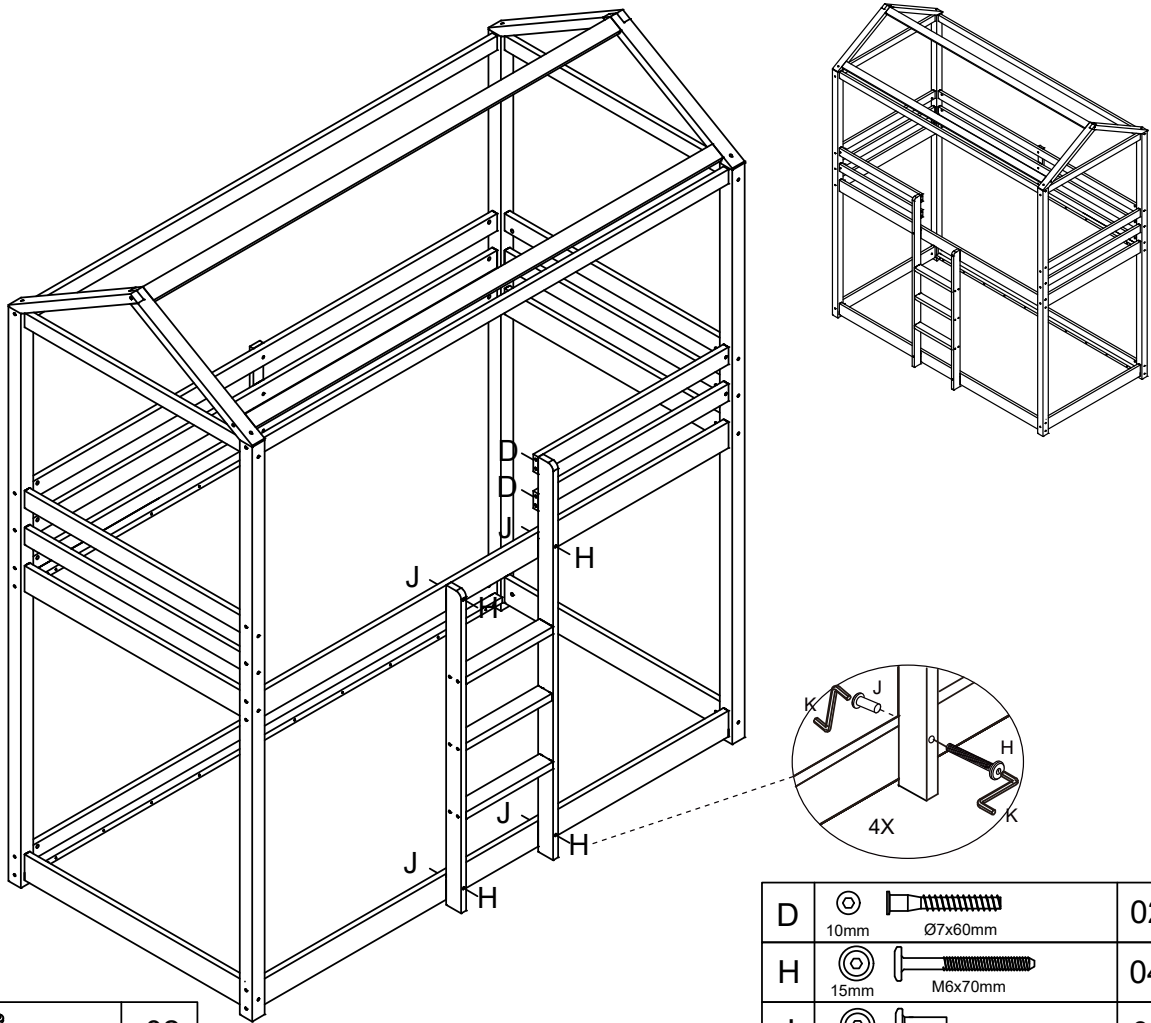
07



K		4mm	01
---	--	-----	----

D		10mm	Ø7x60mm	12
---	--	------	---------	----

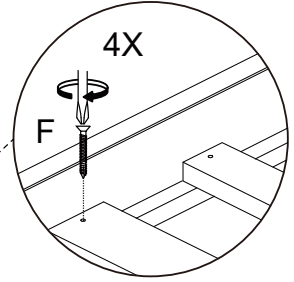
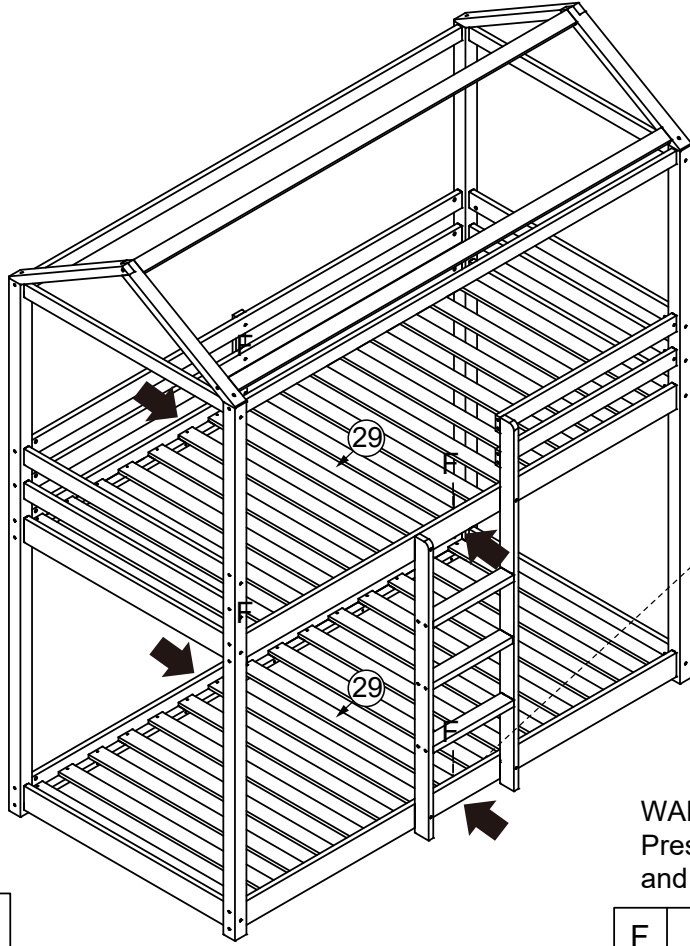
08



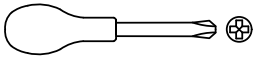
K		4mm	02
---	--	-----	----

D		10mm	Ø7x60mm	02
H		15mm	M6x70mm	04
J		15mm	M8x20mm	04

09



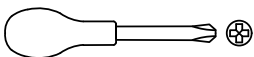
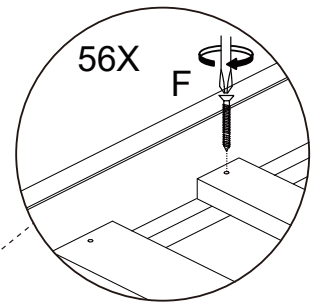
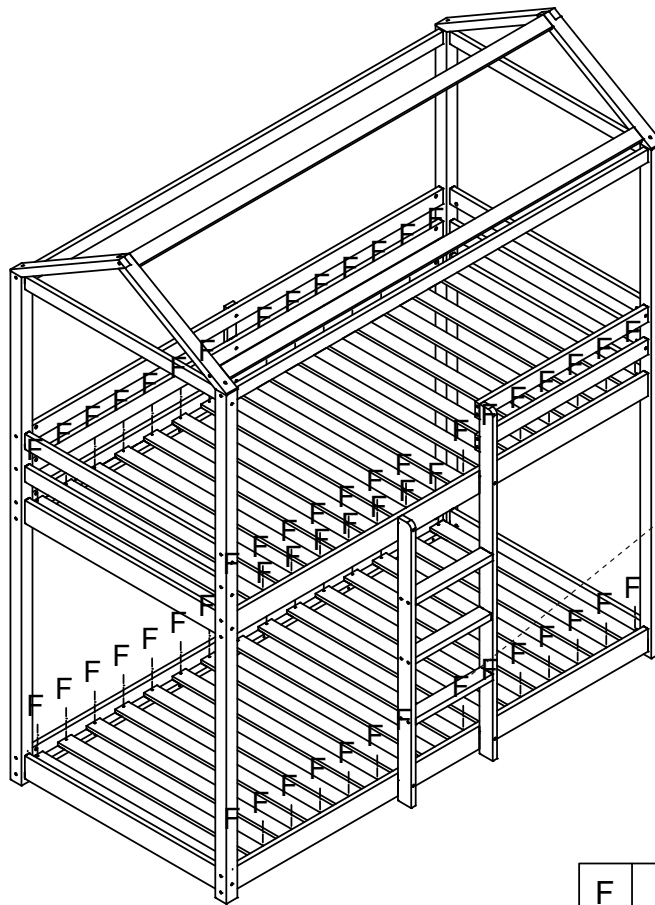
WARNING:
Press the middle of bed sides and tighten the screw first.



F  8mm \varnothing 4x30mm

04

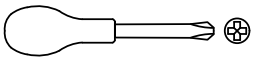
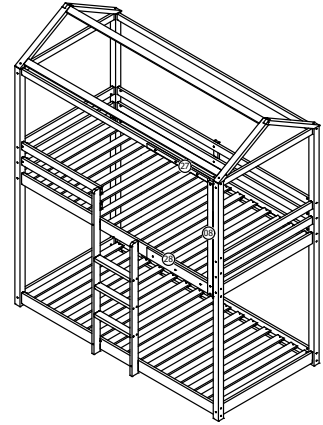
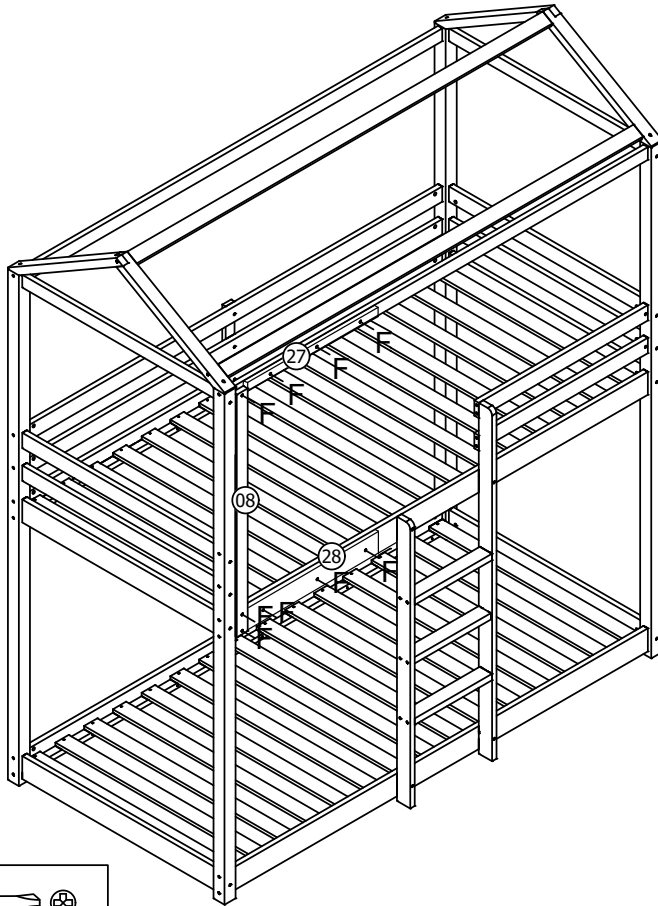
10


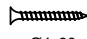


F  8mm \varnothing 4x30mm

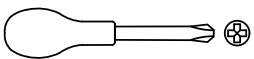
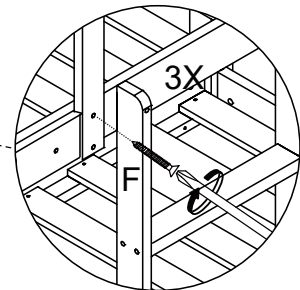
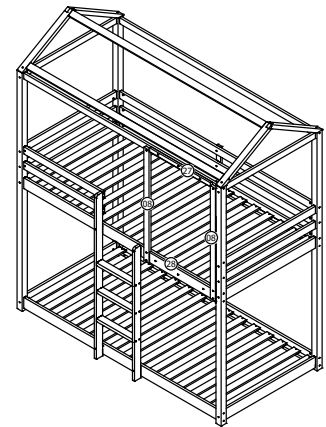
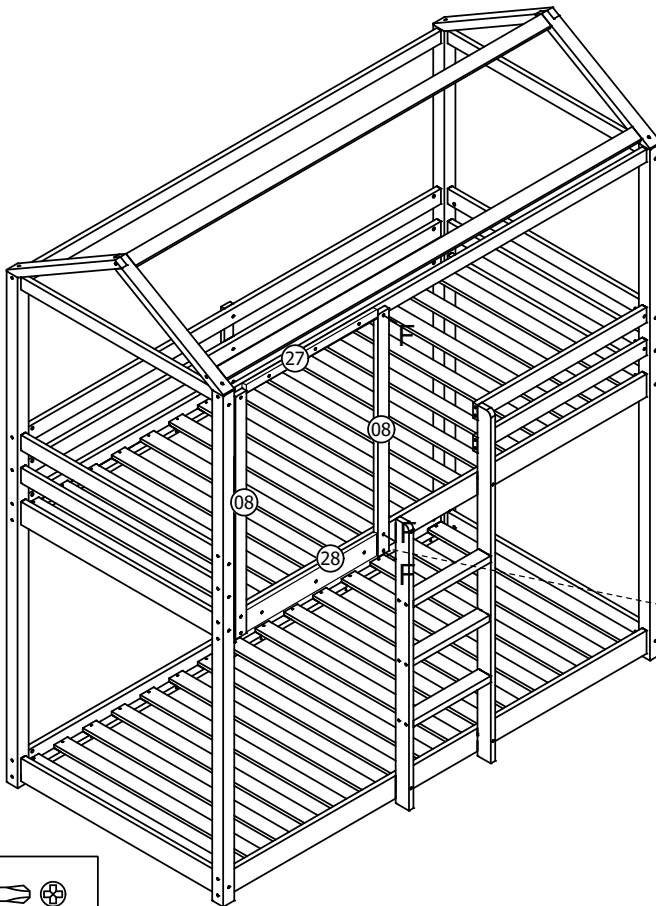
56


11



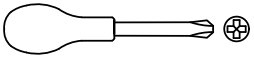
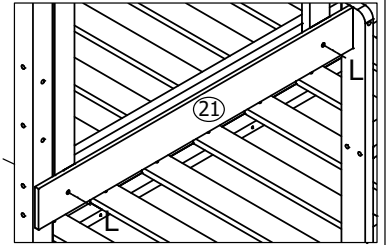
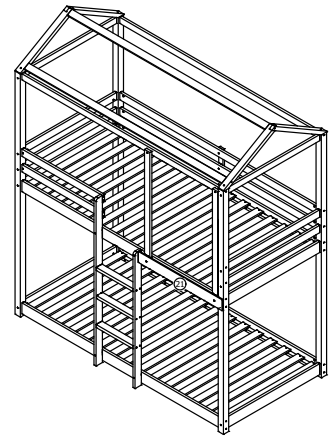
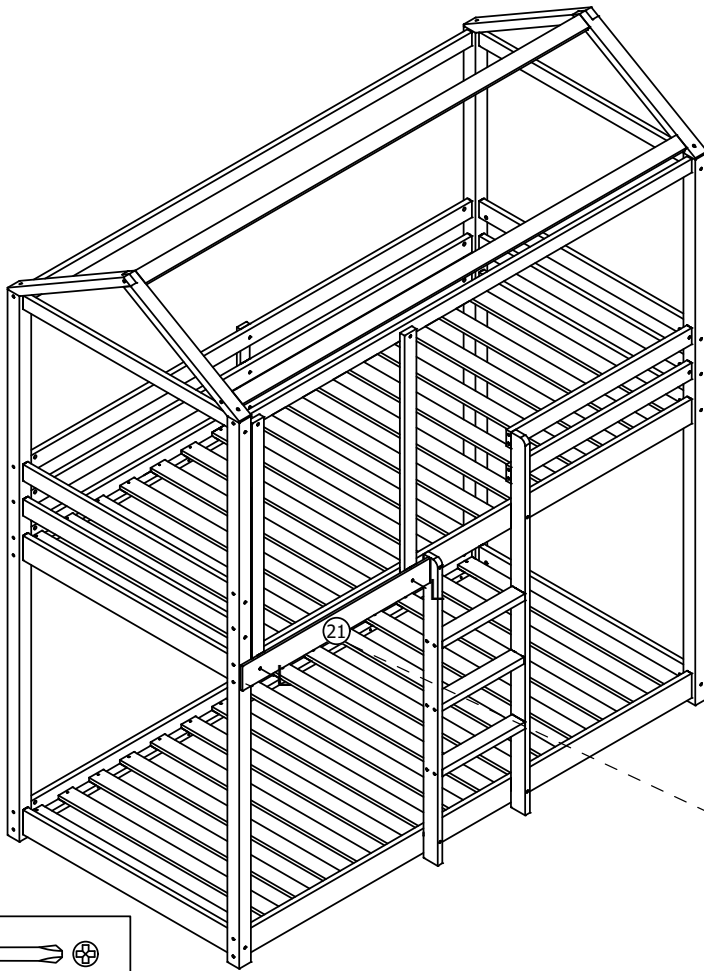
F	 8mm	 Ø4x30mm	09
---	---	---	----

12



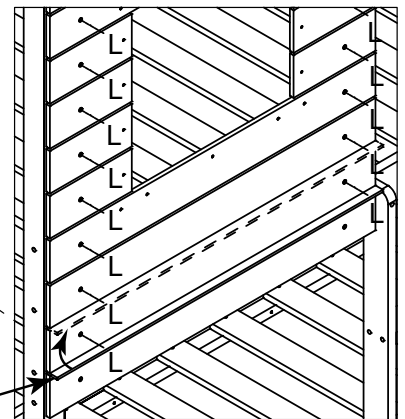
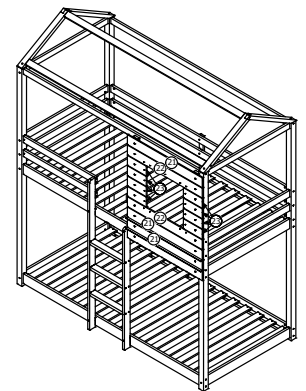
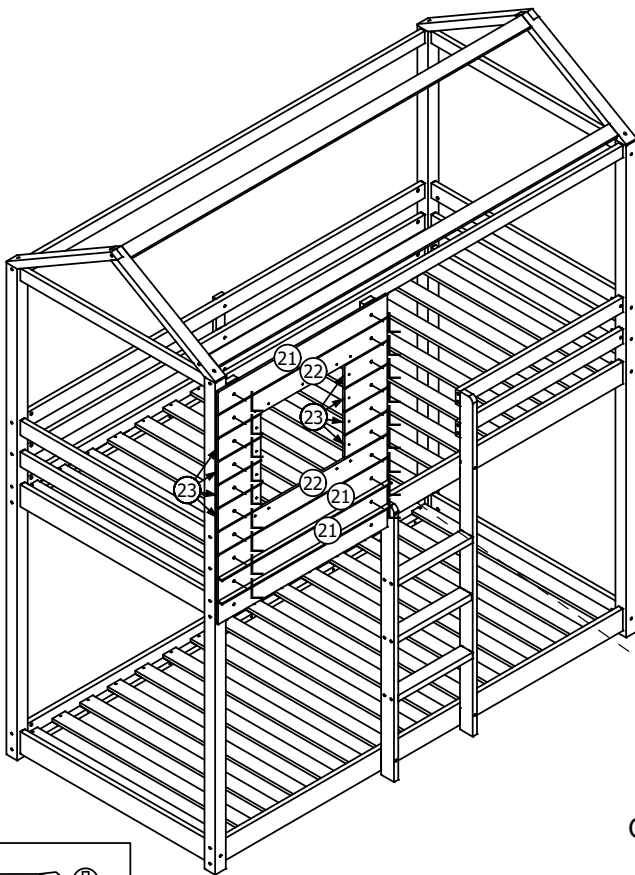
F	 8mm	 Ø4x30mm	03
---	---	---	----

13



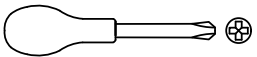
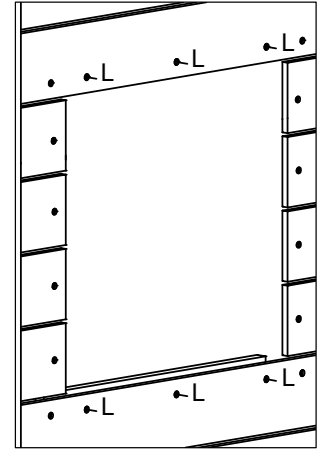
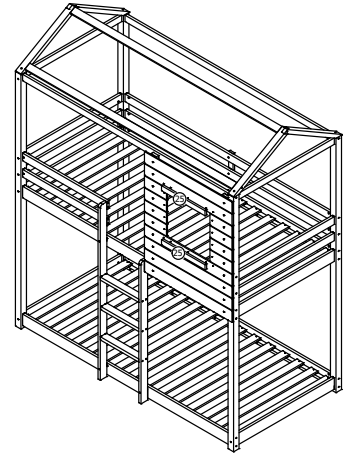
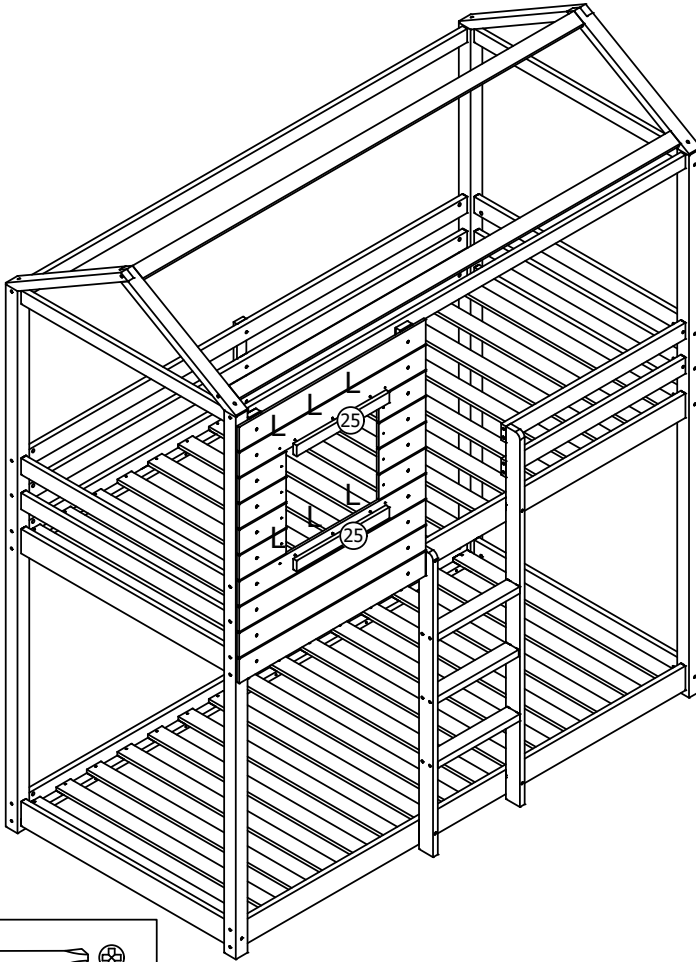
L 8mm Ø4x20mm 02

14



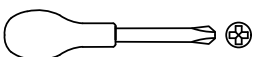
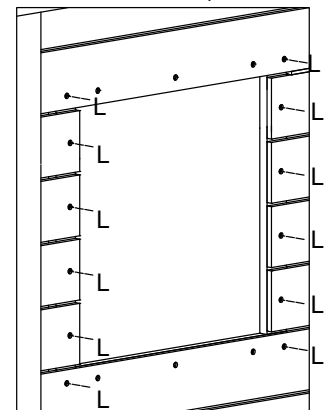
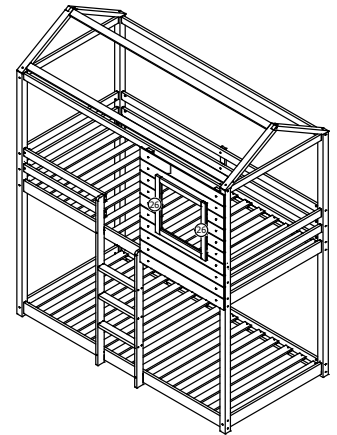
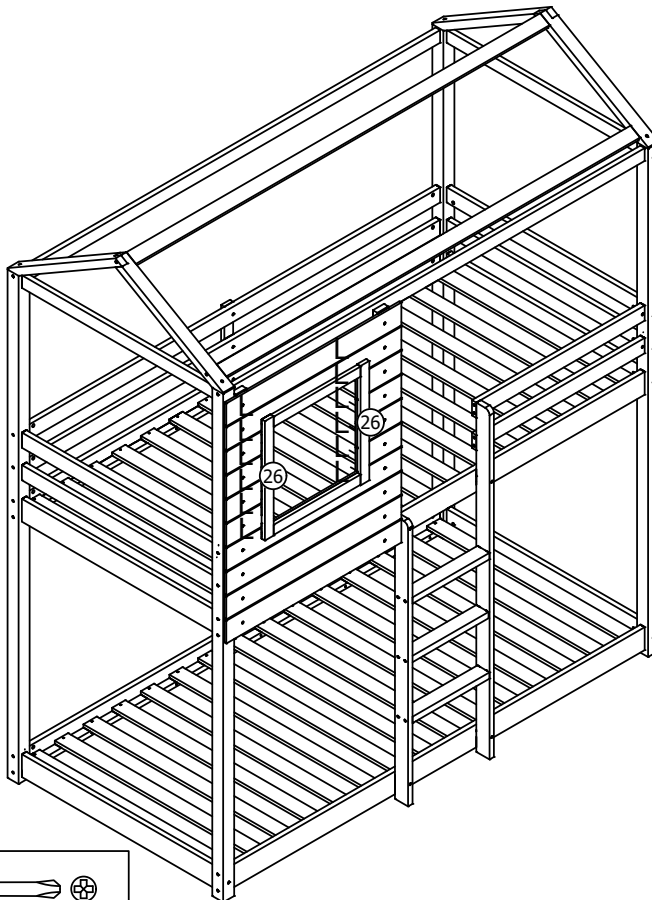
L 8mm Ø4x20mm 18



15



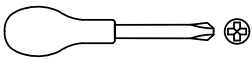
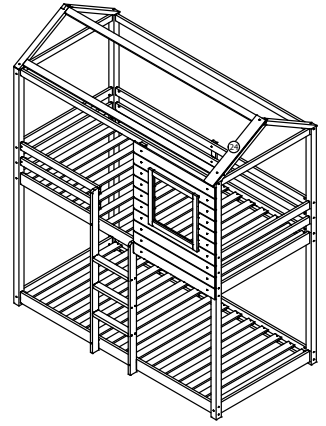
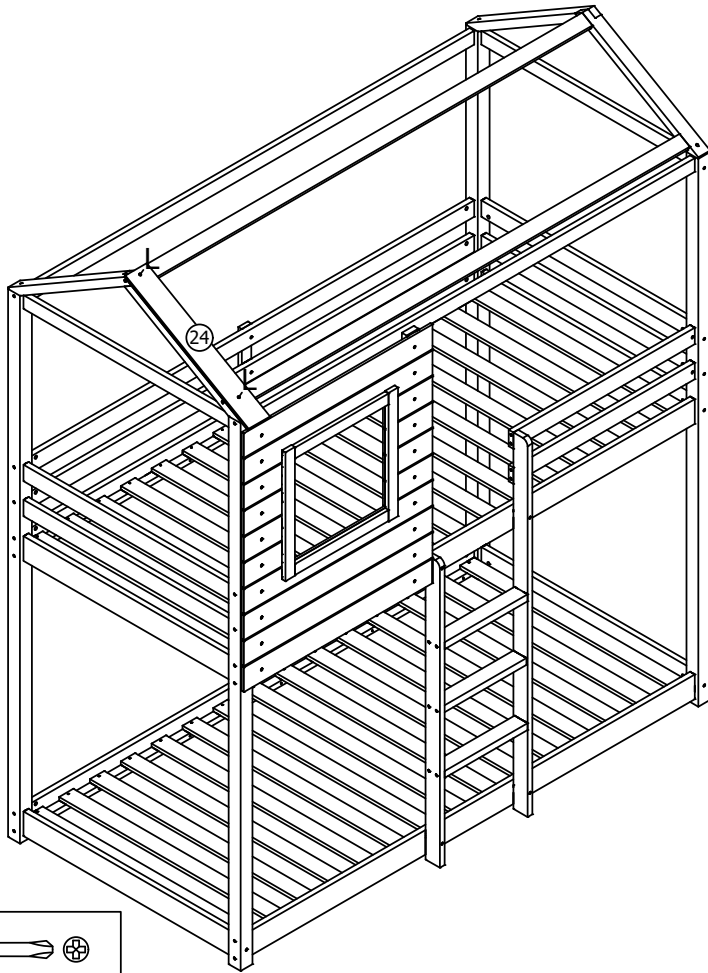
L  8mm  Ø4x20mm 06

16



L  8mm  Ø4x20mm 12

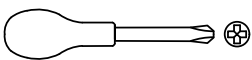
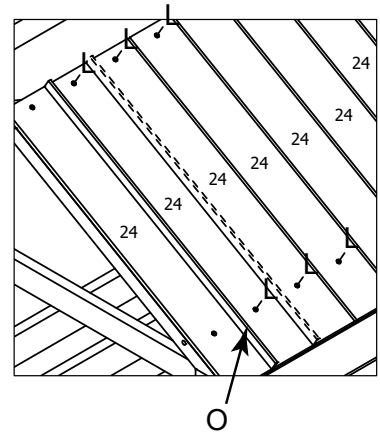
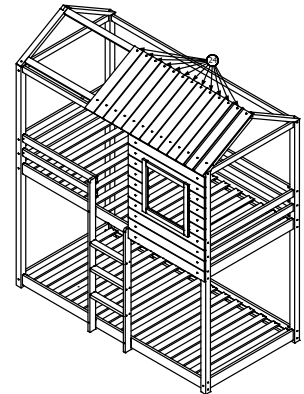
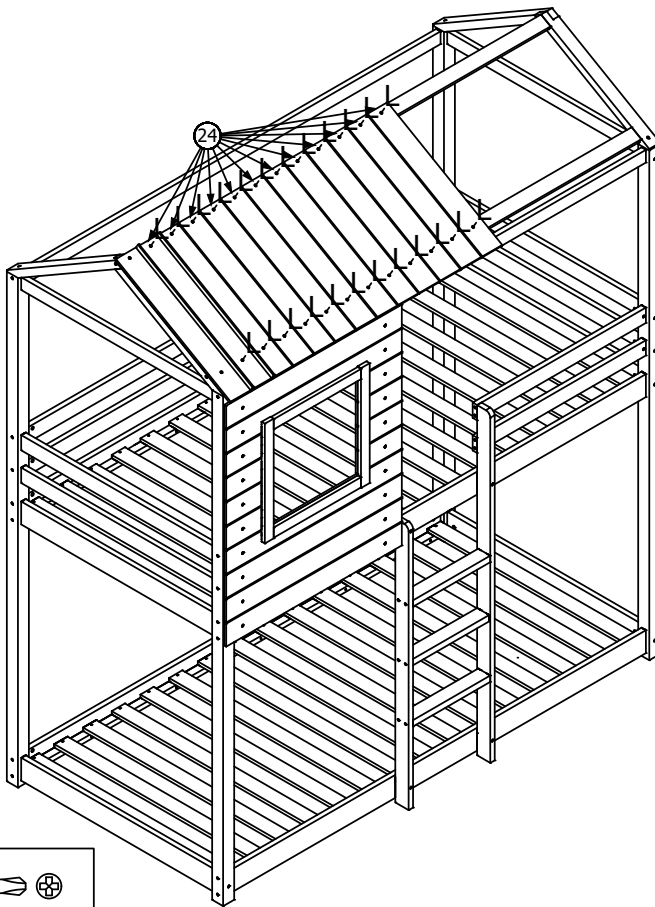
17


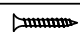


L  8mm  Ø4x20mm

02

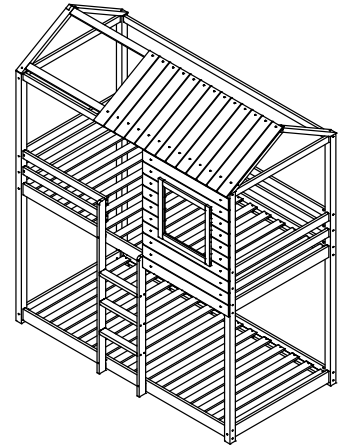
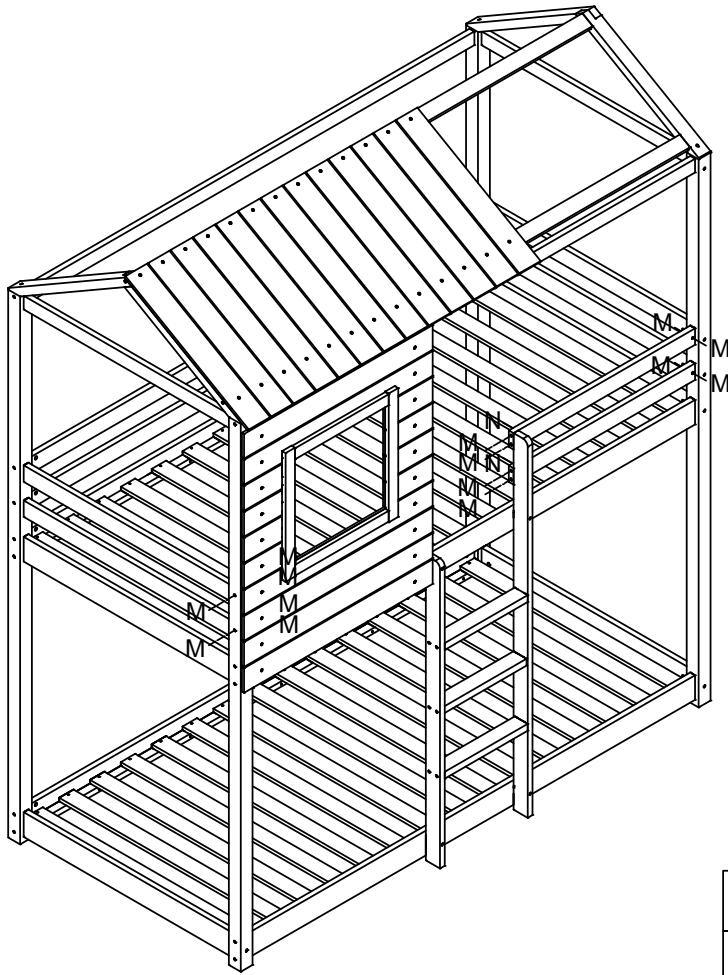
18



L  8mm  Ø4x20mm

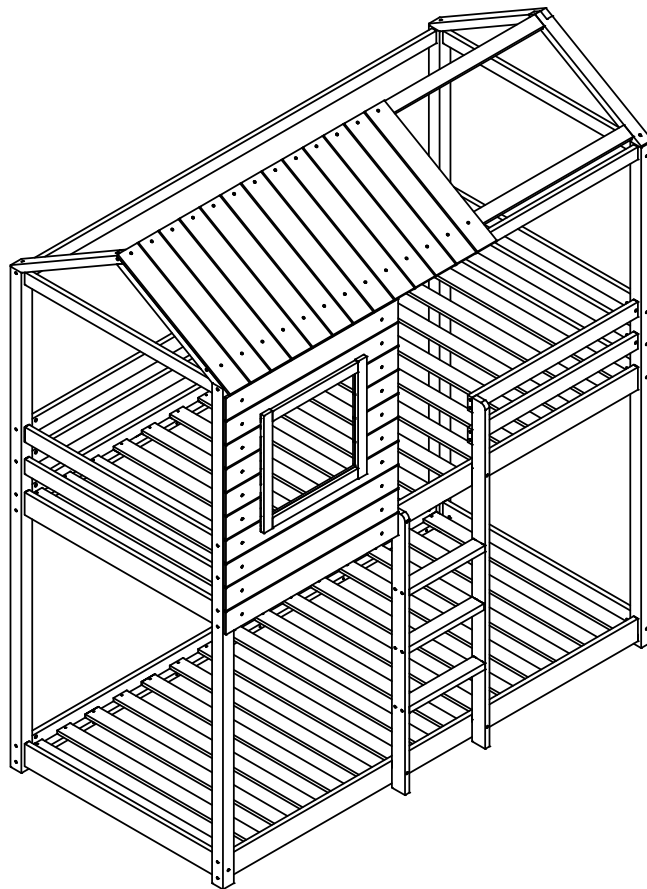
24

19



M			Ø8mm	14
N			Ø10.5mm	02

20



Please dispose of all packaging safely.

General Care & Maintenance

Wipe clean with a slightly damp cloth.
Avoid the use of all household cleaners and abrasives.

Periodically check all screw & fixings to ensure they are secure.

When moving your product, carefully lift into place. Never drag or push the product across the floor as this will cause damage to the joints. If the product is used on hard flooring, such as wood or laminated floor, you must place some protection under the legs to stop the product from moving. If this is not adhered to, it could result in failure to the product that will invalidate the warranty.

For more information on cleaning and product care visit:
<https://www.happybeds.co.uk/help-and-advice>

Notes

In the unlikely event that you have problems putting this product together or have damaged or missing parts, please contact us by visiting:
<https://www.happybeds.co.uk/customer-service>