

## Assembly Instructions

### Important before assembly:

Read these instructions carefully before assembling or using the product.

Please check the contents of the boxes before attempting to assemble this product. The instructions will have a checklist of parts and fittings.

Assemble the product as close to its intended final location/room as possible.

### Health & Safety:

This product or some parts of this product will be heavy. Please use an assistant when lifting.

Please keep small parts out of reach of children.

Always use on a level, even surface.

DO NOT jump on the product or any of its parts.

DO NOT use this product if any parts are missing, damaged or worn.

DO NOT use this product unless all fixings are secured.

**Further instructions are on the following pages.**

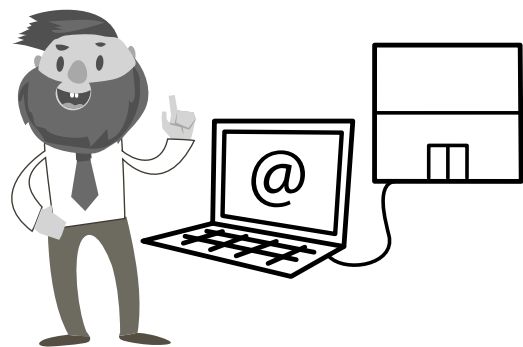
Please keep these instructions for future reference.



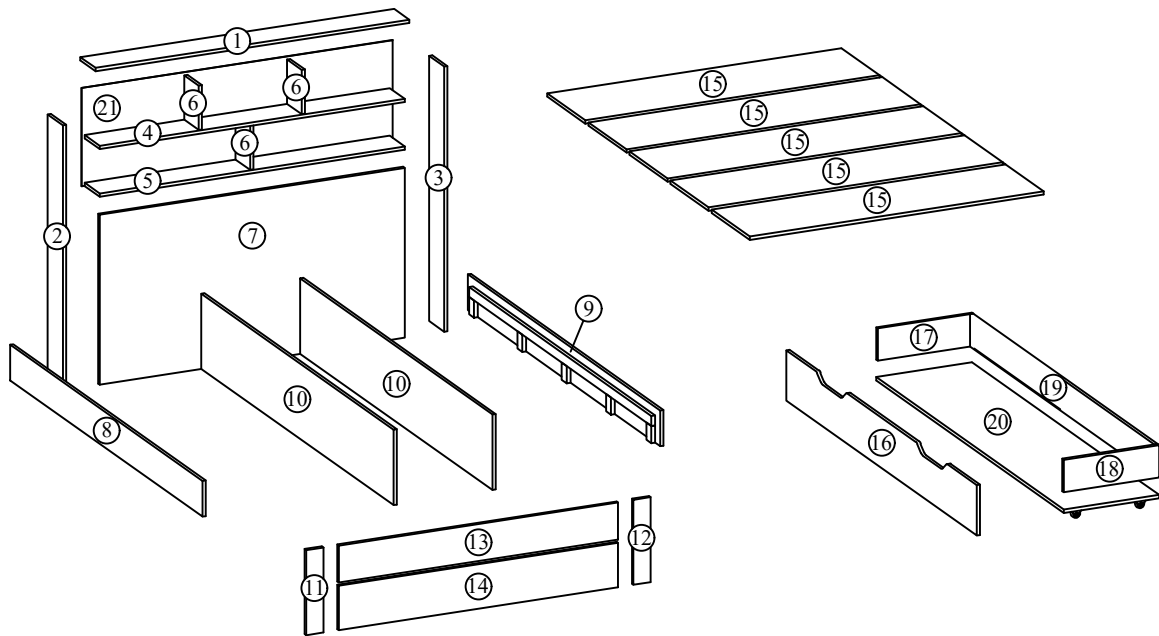
This product or some parts of this product will be heavy. Please use an assistant when lifting.



Never drag or push the pieces across a hard or stone floor as this will cause damage to the joints. Use a carpet or a rug for extra care.



If you have problems assembling or have damaged or missing pieces, please contact our customer services (details at the back of these instructions)



## PARTS LIST

Carton 1 of 3:

Part	Description	Qty
1	Headboard Top Panel	1
2	Headboard Left Panel	1
3	Headboard Right Panel	1
4	Headboard Center Panel	1
5	Headboard Bottom Panel	1
6	Headboard Divider Panel	3
7	Headboard Front Panel	1
11	Footboard Left Panel	1
12	Footboard Right Panel	1
13	Footboard Top Panel	1
14	Footboard Bottom Panel	1
17	Drawer Left Panel	1
18	Drawer Right Panel	1
21	Headboard Back Panel	1

















Carton 2 of 3:

Part	Description	Qty
8	Left Side Panel	1
9	Right Side Panel	1
10	Base Support Panel	2
16	Drawer Front Panel	1
19	Drawer Back Panel	1
20	Drawer Bottom Panel	1

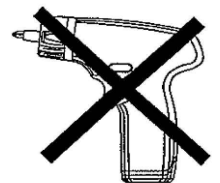
Carton 3 of 3:

Part	Description	Qty
15	Base Panel	5

## HARDWARE LIST: Carton 1 of 1







Part	Description	Qty
A	WOOD DOWEL M6 x 25mm 	37
B	CAM NUT 15mm 	61
C	CAM BOLT 	45
D	PVC NAIL 	12
E	DOUBLE END BOLT 7mm 	8
F	WOOD DOWEL M8 x 50mm 	8
G	JCBCW SCREW M5 x 40 mm 	6
H	STEEL NUT M6 	8
I	JCBC SCREW M6 x 50mm 	8
J	ALLEN KEY M6 	1
K	CSK SCREW M4 x 30mm 	10
L	CSK SCREW M4 x 38mm 	15
M	NYLON CASTOR 40-STOP 	8
N	CSK SCREW M3.5 x 16mm 	16
O	NAIL 	27
P	STICKER 	14

\*\* You will need a screwdriver and a small mallet ( NOT provided)

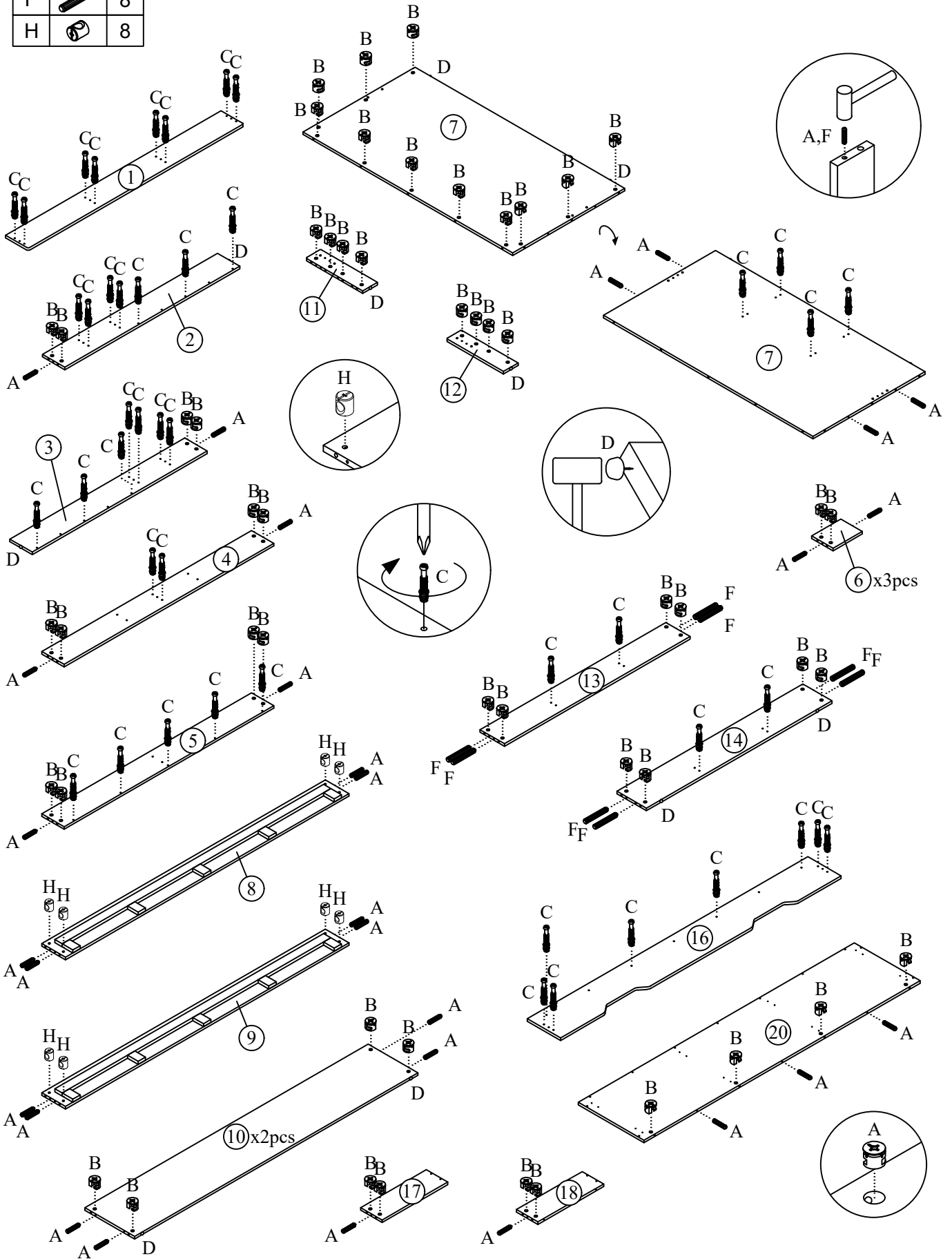


\*\* WARNING: THE USE OF POWER TOOLS TO ASSEMBLE THIS PRODUCT WILL INVALIDATE ANY CLAIM AND MAY DAMAGE THIS PRODUCT MAKING IT UNSAFE.



1

A		37
B		61
C		45
D		12
F		8
H		8

Insert hardware part B & part C & part H using a screwdriver (not provided). Insert hardware part A & part D & part F using a small mallet (not provided).  
DO NOT use any power tools as this may damage the frame and will invalidate any claim.

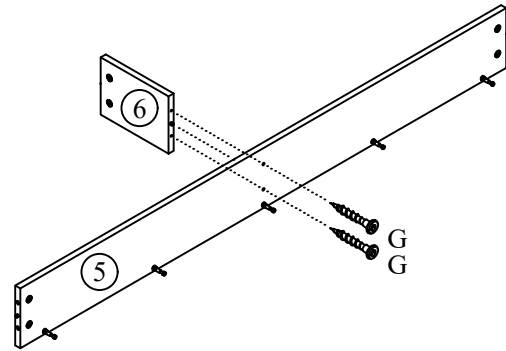
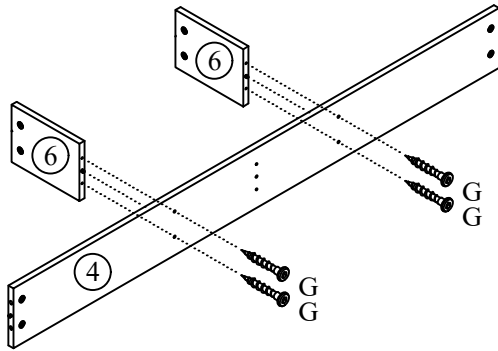
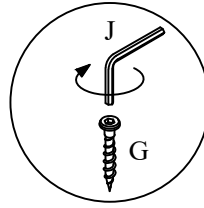


2

G		6
J		1

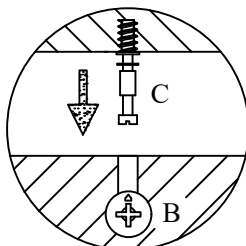
Attach the Headboard Divider Panel (6) to Headboard Center Panel (4) and Headboard Divider Panel (6) to Headboard Bottom Panel (5) with Screw (G) by using allen key (J) and tighten clockwise.

**DO NOT** use any power tools as this may damage the frame and will invalidate any claim.

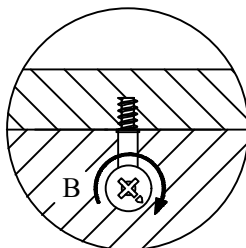


3

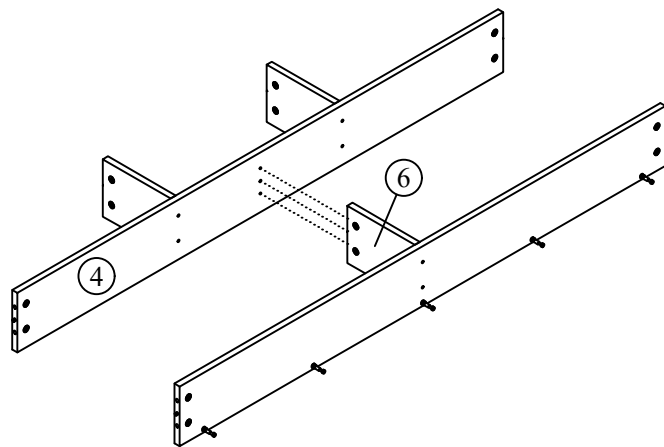
Attach the Headboard Divider Panel (6) to Headboard Center Panel (4) by screwdriver (not provided). **DO NOT** use any power tools as this may damage the frame and will invalidate any claim.



Unlock

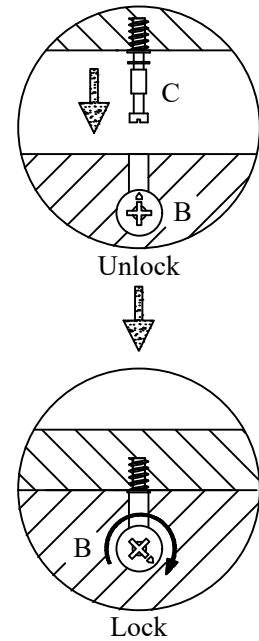
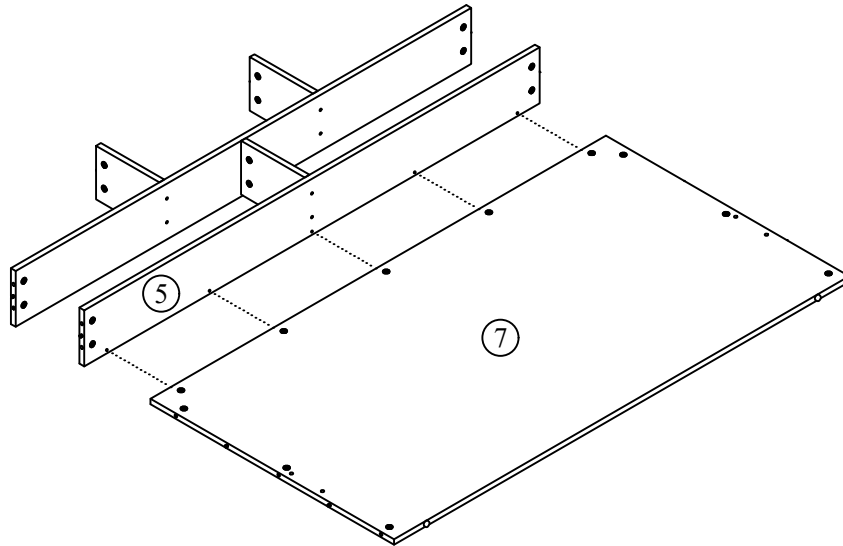


Lock

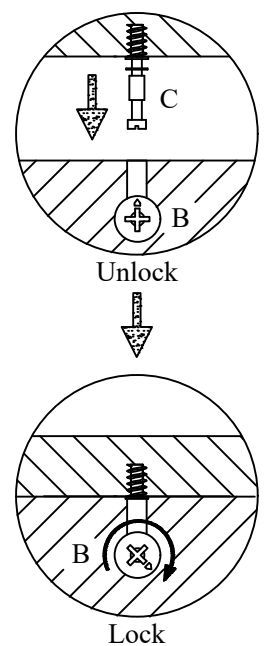
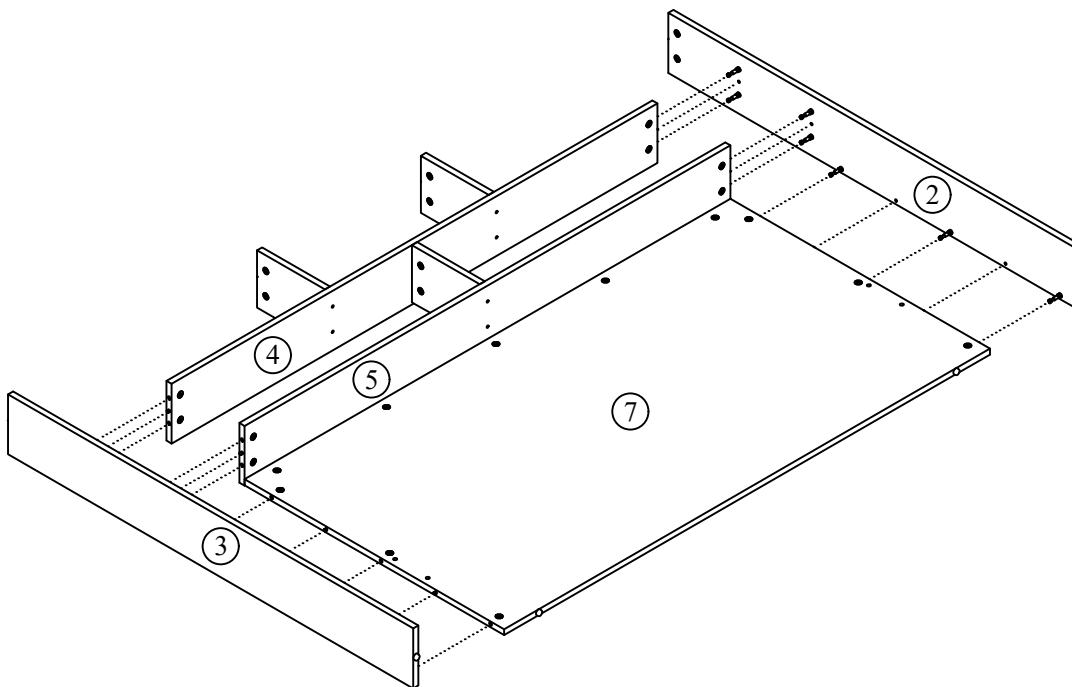


**4**

Attach the Headboard Front Panel (7) to Headboard Bottom Panel (5) by screwdriver (not provided).  
**DO NOT** use any power tools as this may damage the frame and will invalidate any claim.

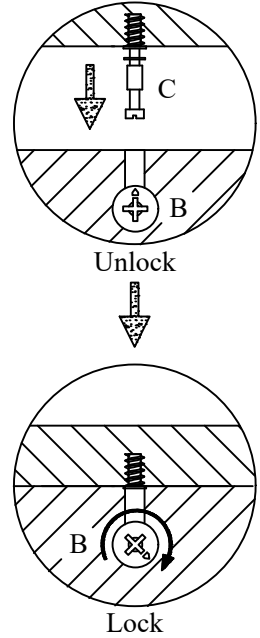
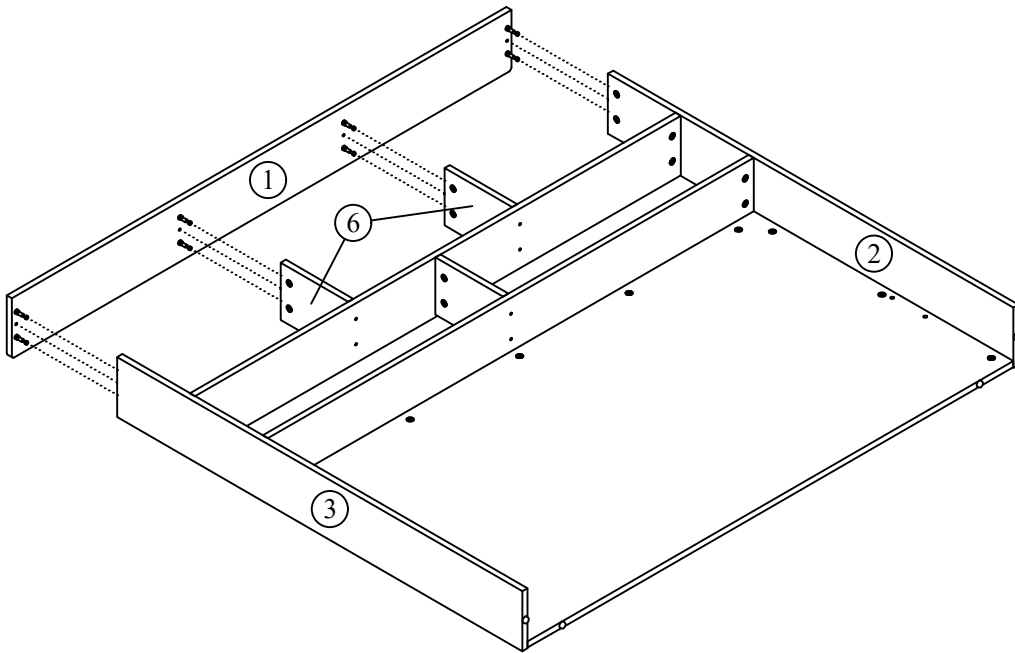
**5**

Attach the Headboard Left Panel (2) and Headboard Right Panel (3) to Headboard Center Panel (4) and Headboard Bottom Panel (5) and Headboard Front Panel (7) by screwdriver (not provided).  
**DO NOT** use any power tools as this may damage the frame and will invalidate any claim.



6

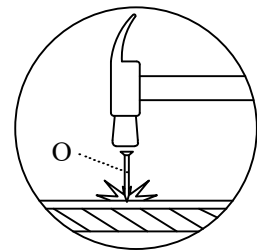
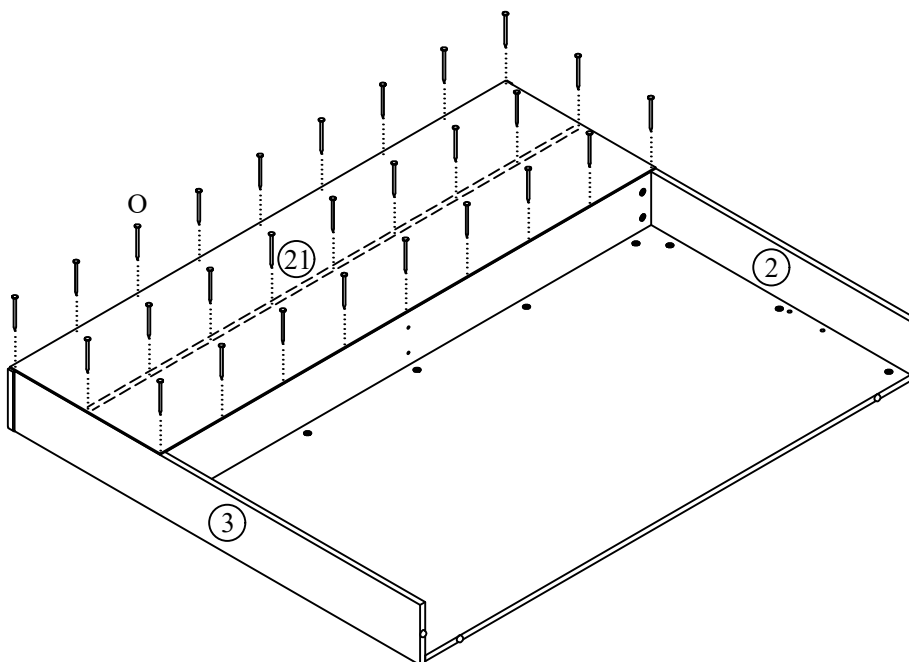
Attach the Headboard Top Panel (1) to Headboard Left Panel (2) and Headboard Right Panel (3) and Headboard Divider Panel (6) by screwdriver (not provided).  
**DO NOT** use any power tools as this may damage the frame and will invalidate any claim.





7



Attach the Headboard Back Panel (21) with Nail (O) by small mallet (not provided).  
**DO NOT** use any power tools as this may damage the frame and will invalidate any claim.



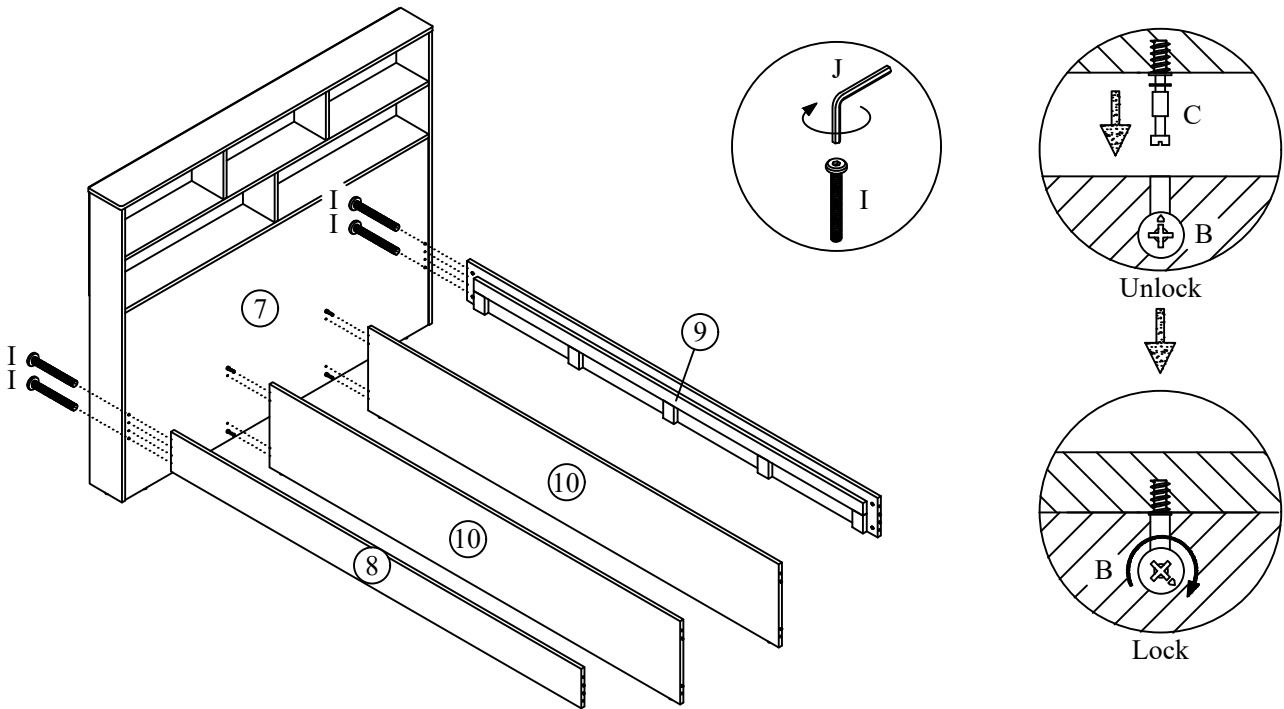
**8**

I		4
J		1

Attach the Left Side Panel (8) and Right Side Panel (9) to Headboard Front Panel (7) with Screw (I) by using allen key (J) and tighten clockwise.

Attach the Base Support Panel (10) to Headboard Front Panel (7) by screwdriver (not provided).

**DO NOT** use any power tools as this may damage the frame and will invalidate any claim.

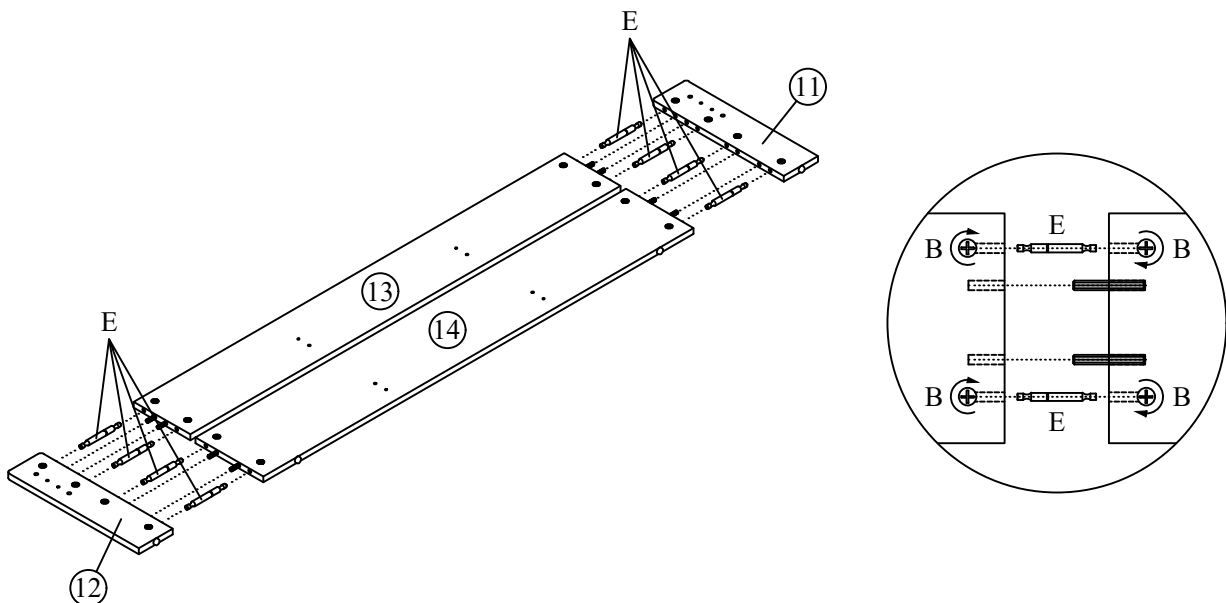
**9**

E		8
---	---	---

Insert hardware part E to Footboard Left Panel (11) and Footboard Right Panel (12).


Attach the Footboard Left Panel (11) and Footboard Right Panel (12) to Footboard Top Panel (13) and Footboard Bottom Panel (14) by screwdriver (not provided).

**DO NOT** use any power tools as this may damage the frame and will invalidate any claim.

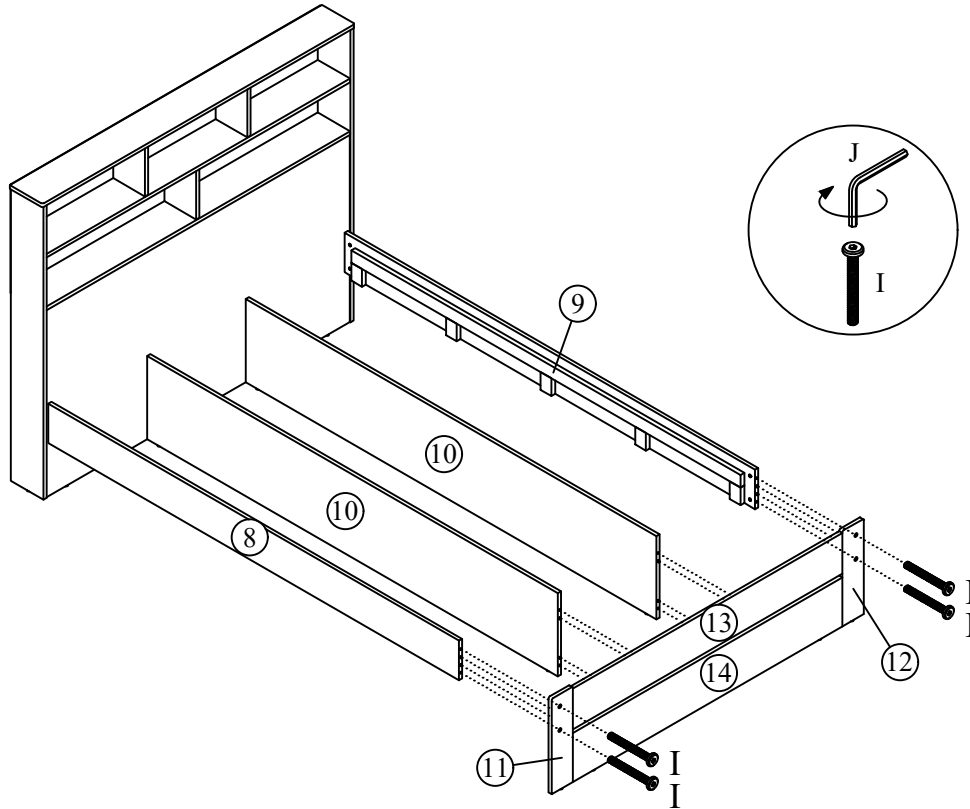






10

I		4
---	---	---

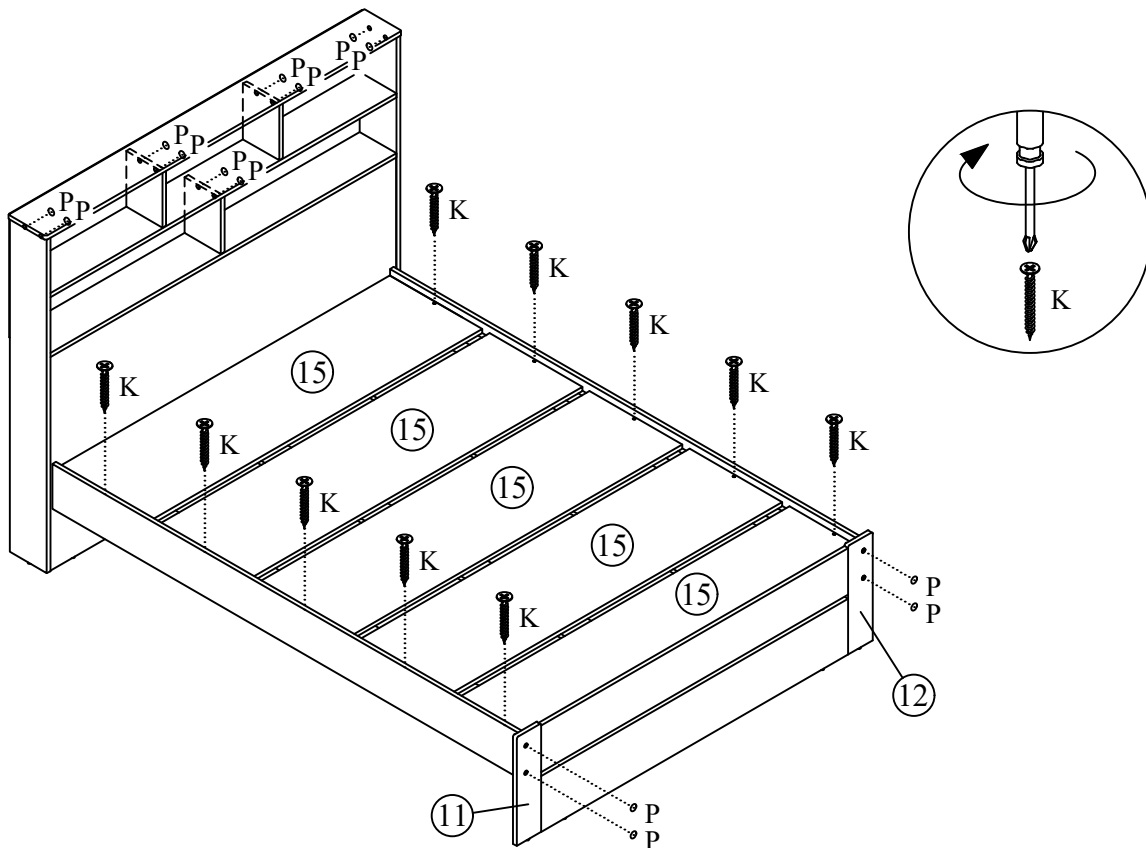
Attach the Footboard Left Panel (11) and Footboard Right Panel (12) to Left Side Panel (8) and Right Side Panel (9) with Screw (I) by using allen key (J) and tighten clockwise.  
 Attach the Footboard Top Panel (13) and Footboard Bottom Panel (14) to Base Support Panel (10) by screwdriver (not provided).  
**DO NOT** use any power tools as this may damage the frame and will invalidate any claim.




11

K		10
P		14

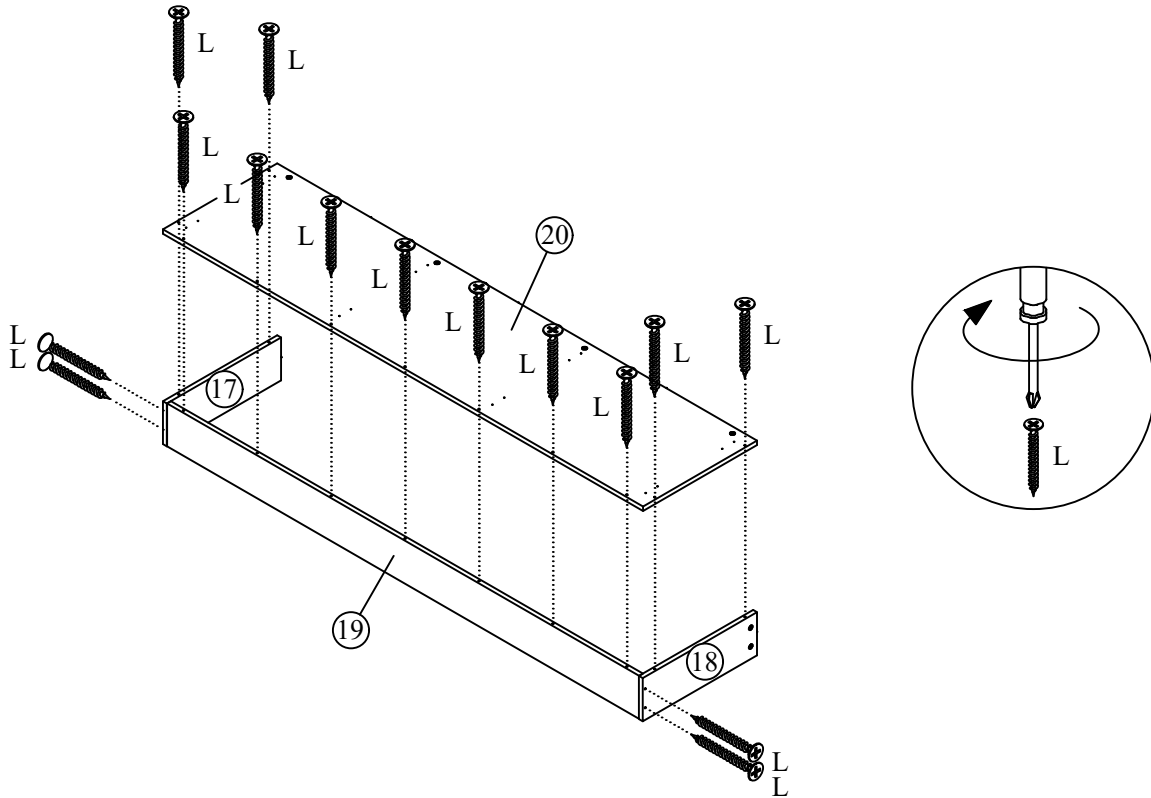
Attach the Base Panel (15) with Screw (K) by screwdriver (not provided).  
 Cover screw hole with sticker (P) as shown.  
**DO NOT** use any power tools as this may damage the frame and will invalidate any claim.





12 

L		15
---	---	----

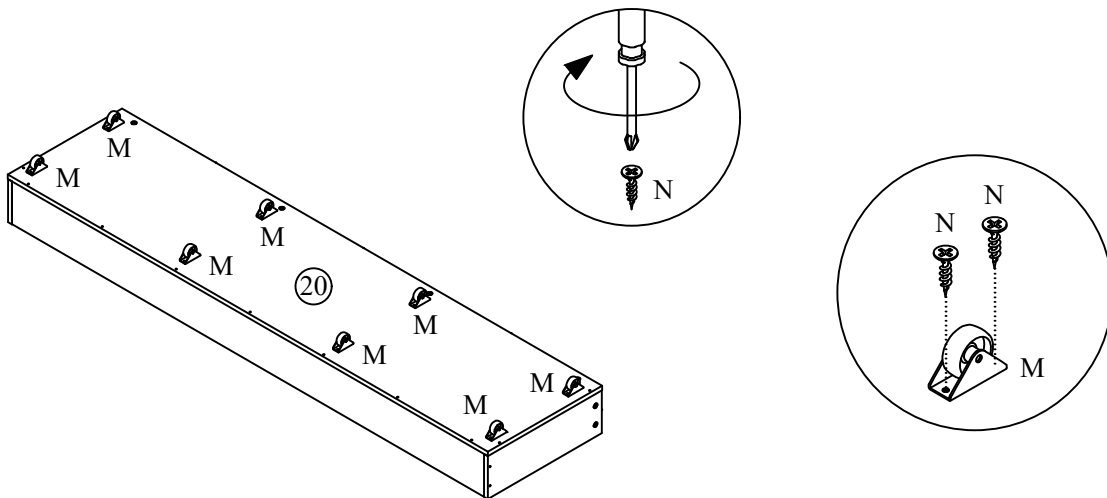
Fix Drawer Left Panel (17) and Drawer Right Panel (18) to Drawer Back Panel (19) with screw (L) by screwdriver (not provided).  
Attach the Drawer Bottom Panel (20) to Drawer Left Panel (17) and Drawer Right Panel (18) and Drawer Back Panel (19) with Screw (L) by screwdriver (not provided).  
**DO NOT** use any power tools as this may damage the frame and will invalidate any claim.



13 

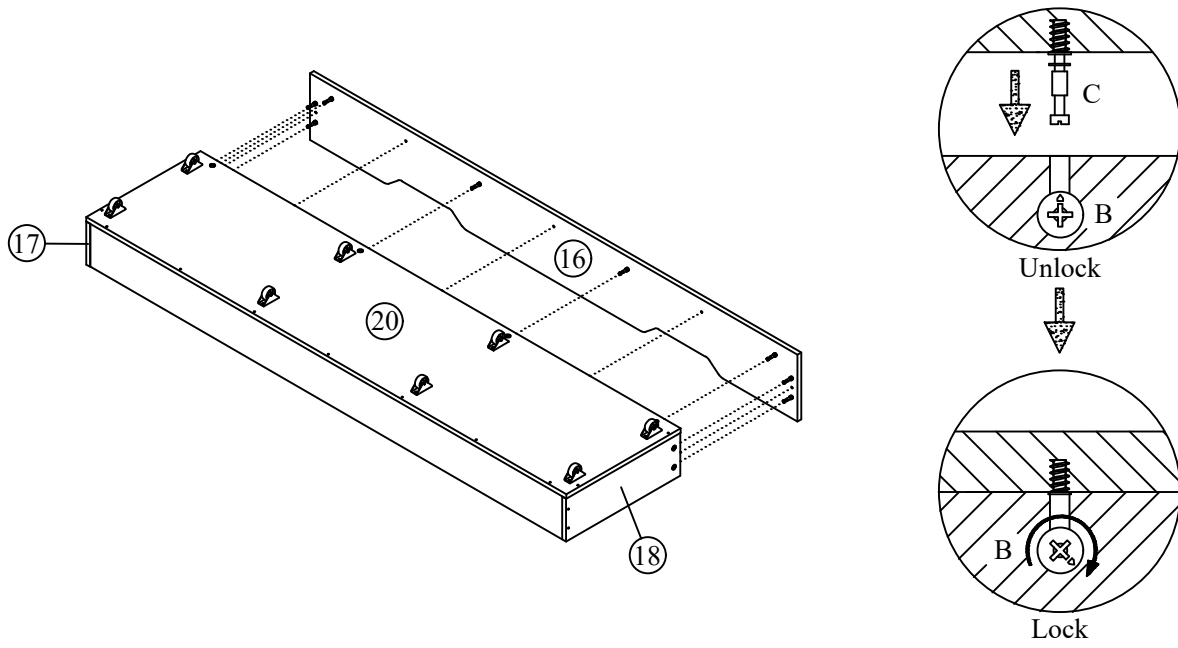
M		8
N		16

Fix Castor (M) using Screw (N) onto Drawer Bottom Panel (20) by screwdriver (not provided).  
**DO NOT** use any power tools as this may damage the frame and will invalidate any claim.

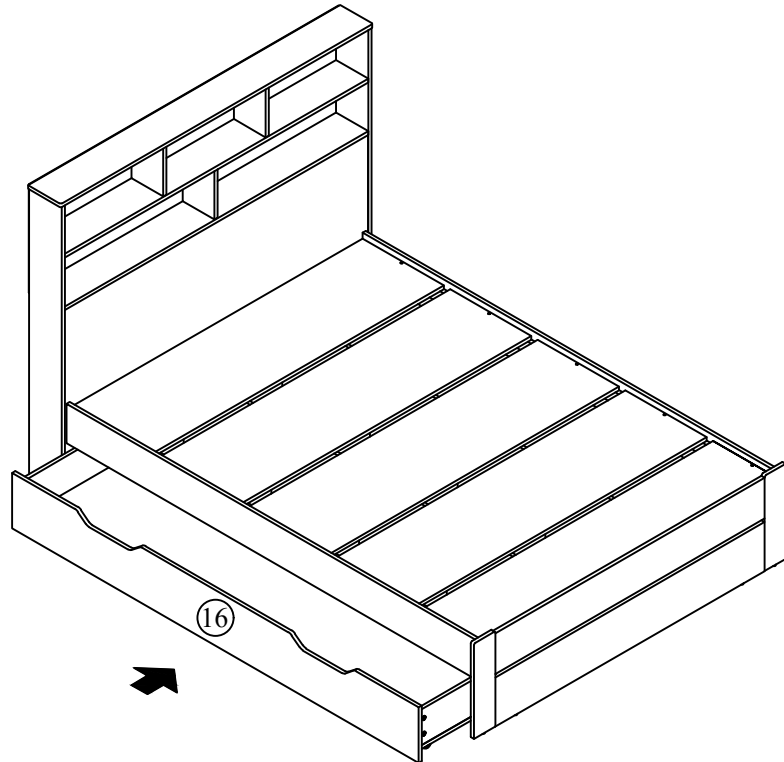


14

Attach the Drawer Left Panel (17) and Drawer Right Panel (18) and Drawer Bottom Panel (20) to Drawer Front Panel (16) by screwdriver (not provided).  
**DO NOT** use any power tools as this may damage the frame and will invalidate any claim.



15



Please dispose of all packaging safely.

## General Care & Maintenance

Wipe clean with a slightly damp cloth.  
Avoid the use of all household cleaners and abrasives.

Periodically check all screw & fixings to ensure they are secure.

When moving your product, carefully lift into place. Never drag or push the product across the floor as this will cause damage to the joints. If the product is used on hard flooring, such as wood or laminated floor, you must place some protection under the legs to stop the product from moving. If this is not adhered to, it could result in failure to the product that will invalidate the warranty.

For more information on cleaning and product care visit:  
<https://www.happybeds.co.uk/help-and-advice>

## Notes

In the unlikely event that you have problems putting this product together or have damaged or missing parts, please contact us by visiting:  
<https://www.happybeds.co.uk/customer-service>