



Assembly Instructions

Title of Product

AMERICAN Wooden Triple Sleeper



Important before assembly:

Read these instructions carefully before assembling or using the product.

Please check the contents of the boxes before attempting to assemble this product. The instructions will have a checklist of parts and fittings.

It would be sensible to lay a rug or a carpet on the floor where you intend to assemble the product, to avoid scratches and damaging the product or the floor.

Assemble the product as close to its intended final location/room as possible.

Do NOT use any power tools as this may damage the frame.

Health & Safety:

This product or some parts of this product will be heavy. Please use an assistant when lifting.

Please keep small parts out of reach of children.

Always use on a level, even surface.

DO NOT jump on the product or any of its parts.

DO NOT use this product if any parts are missing, damaged or worn.

DO NOT use this product unless all fixings are secured.

Please keep these instructions for future reference.



(Not metal)

These tools are not necessary, but may help to assemble certain parts of the product.

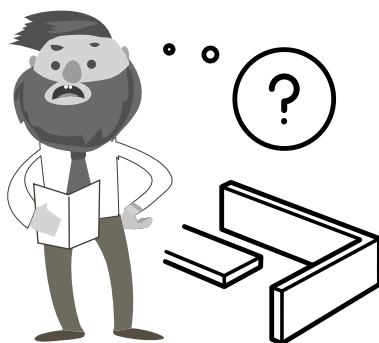
Do NOT use any power tools as this may damage the frame.



This product or some parts of this product will be heavy. Please use an assistant when lifting.



Never drag or push the pieces across a hard or stone floor as this will cause damage to the joints. Use a carpet or a rug for extra care.



If you have problems assembling or have damaged or missing pieces, please contact us by visiting:

<https://www.happybeds.co.uk/customer-service>

IMPORTANT INFORMATION

WARNING – High Beds and the upper bed of bunk beds are not suitable for children under six years due to risk of injury from falls.

WARNING – Bunk beds and high beds can present a serious risk of injury from strangulation if not used correctly. Never attached or hang items to any part of the bunk bed that are not designed to be used with the bed, for example, but not limited to ropes, strings, cords, hooks, belts and bags.

WARNING – Children can become trapped between the bed and the wall, a roof pitch, the ceiling, adjoining pieces of furniture (e.g. cupboards) and the like.

WARNING – Do not use the bunk bed / high bed if any structural part is broken or missing.

It is recommended that you always follow the manufacturer's instructions to assemble this product.

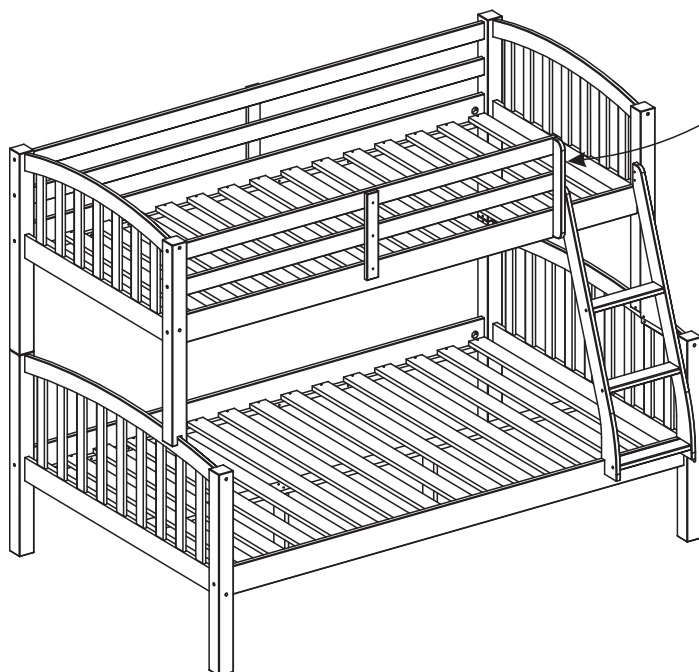
Always follow the manufacturer's recommended mattress size, as per these instructions and the bunk bed / high bed maximum mattress height marking on the item.

Width 91cm x Length 190cm / Width 120cm x Length 190cm with Maximum Depth of 16cm.

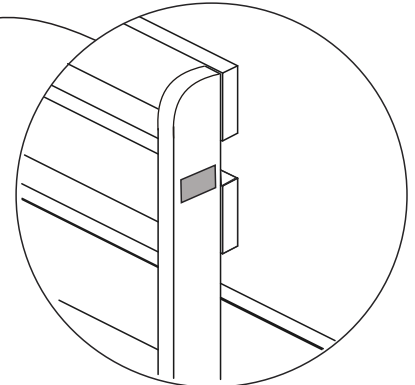
It is necessary to frequently ventilate the room in order to keep the humidity low and to prevent mould in and around the bed.

Please periodically check all the fixings of the item and re-tighten when necessary.

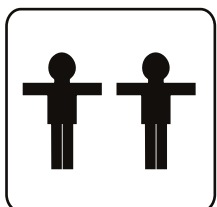
This item conforms to European Safety Standards - BS EN 747-1: 2012 + A1:2015



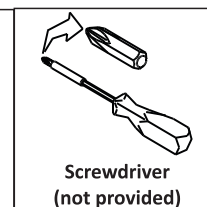
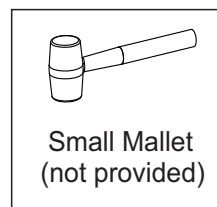
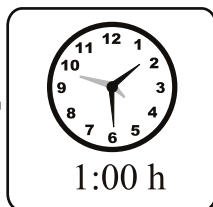
Side View



↑
MAXIMUM HEIGHT
OF MATTRESS



+



Safety Advice

Please take the time to carefully read through the whole of these instructions before you commence.

Keep these instructions for future reference.

Unpack, inspect and check of all of the contents.

Please dispose of all packing safely.

Small components parts could choke a child if swallowed.

We strongly recommend that you keep children well away from the work area.

It would be sensible to lay a sheet or blanket on the floor where you intend to work to avoid scratching this product and protect your floor.

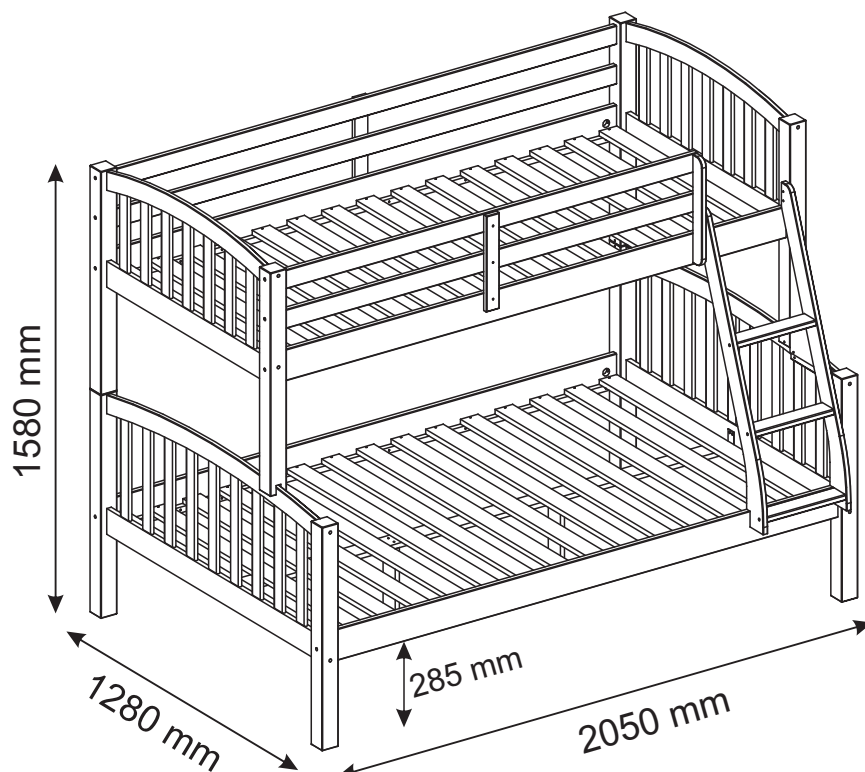
This product is heavy. Take extreme care when lifting to avoid personal injury or damage to the product.

This bed is heavy. Always lift the bed with two people.

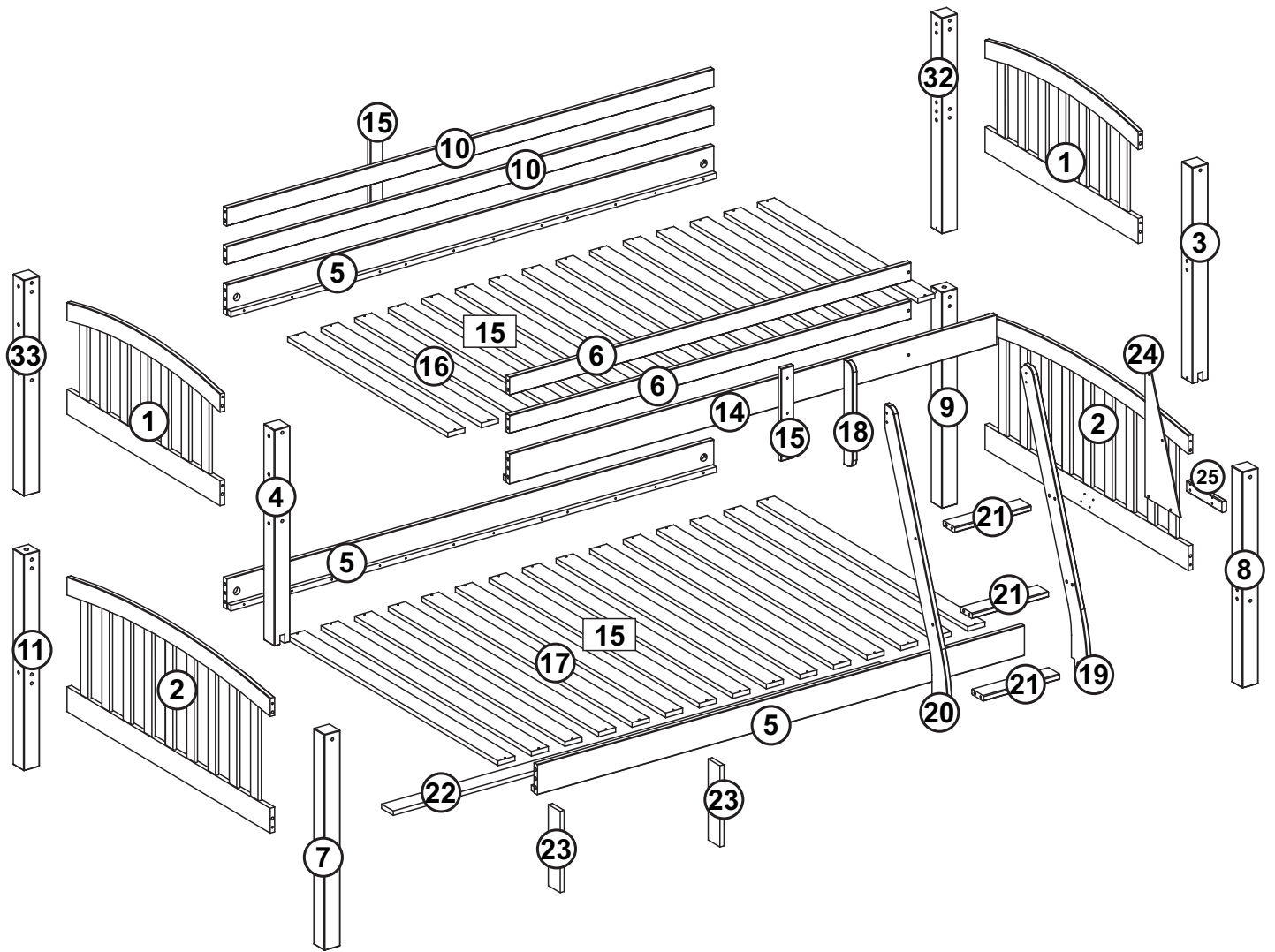
Assemble the product as close to its intended final position in the room as possible.



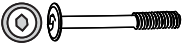
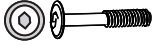





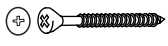






Keep any sharp objects away from the bed frame.

HANDY HINT: If you keep the hardware in a bowl during assembly you will be less likely to lose them.

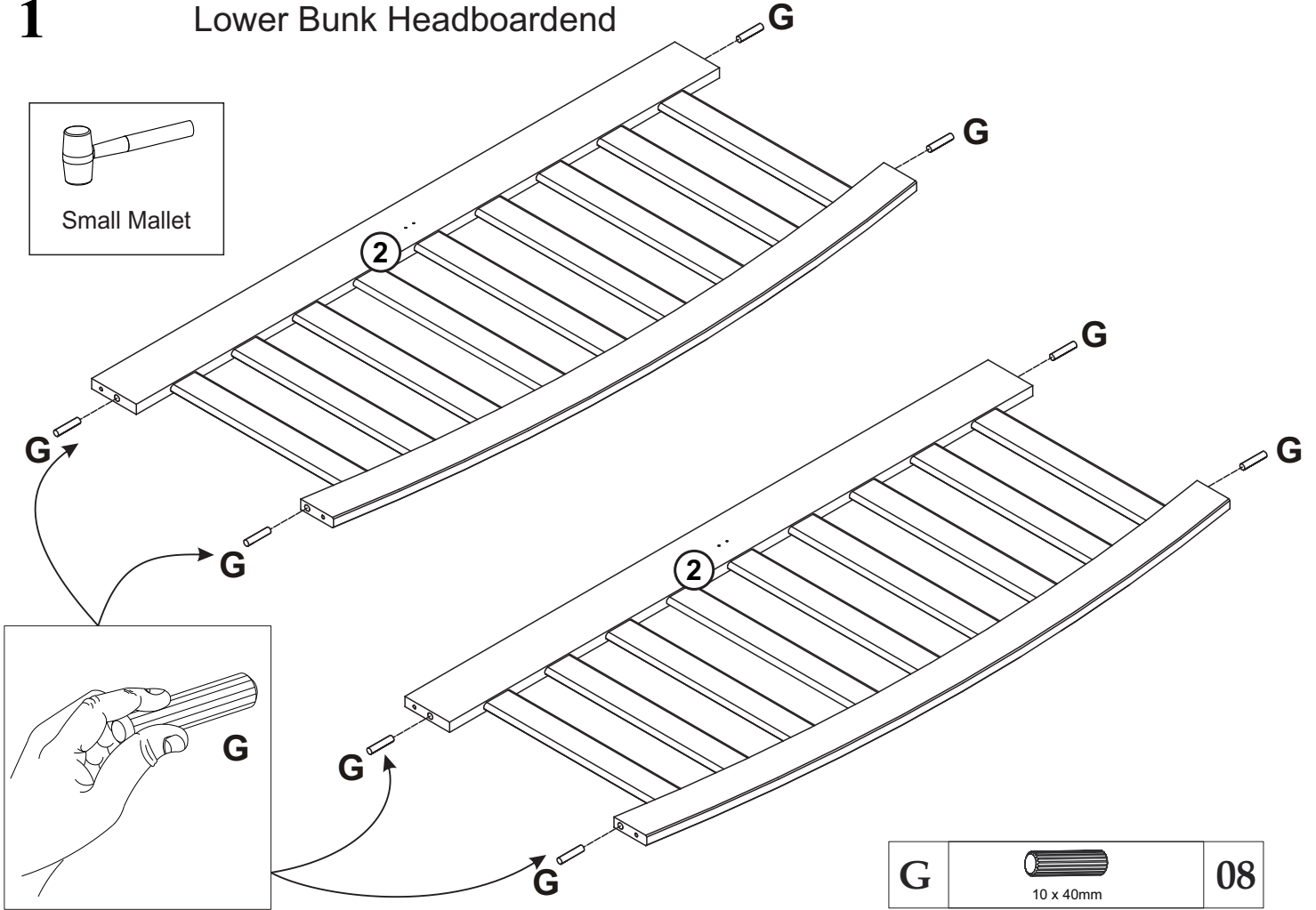
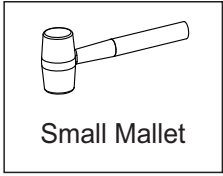


PARTS

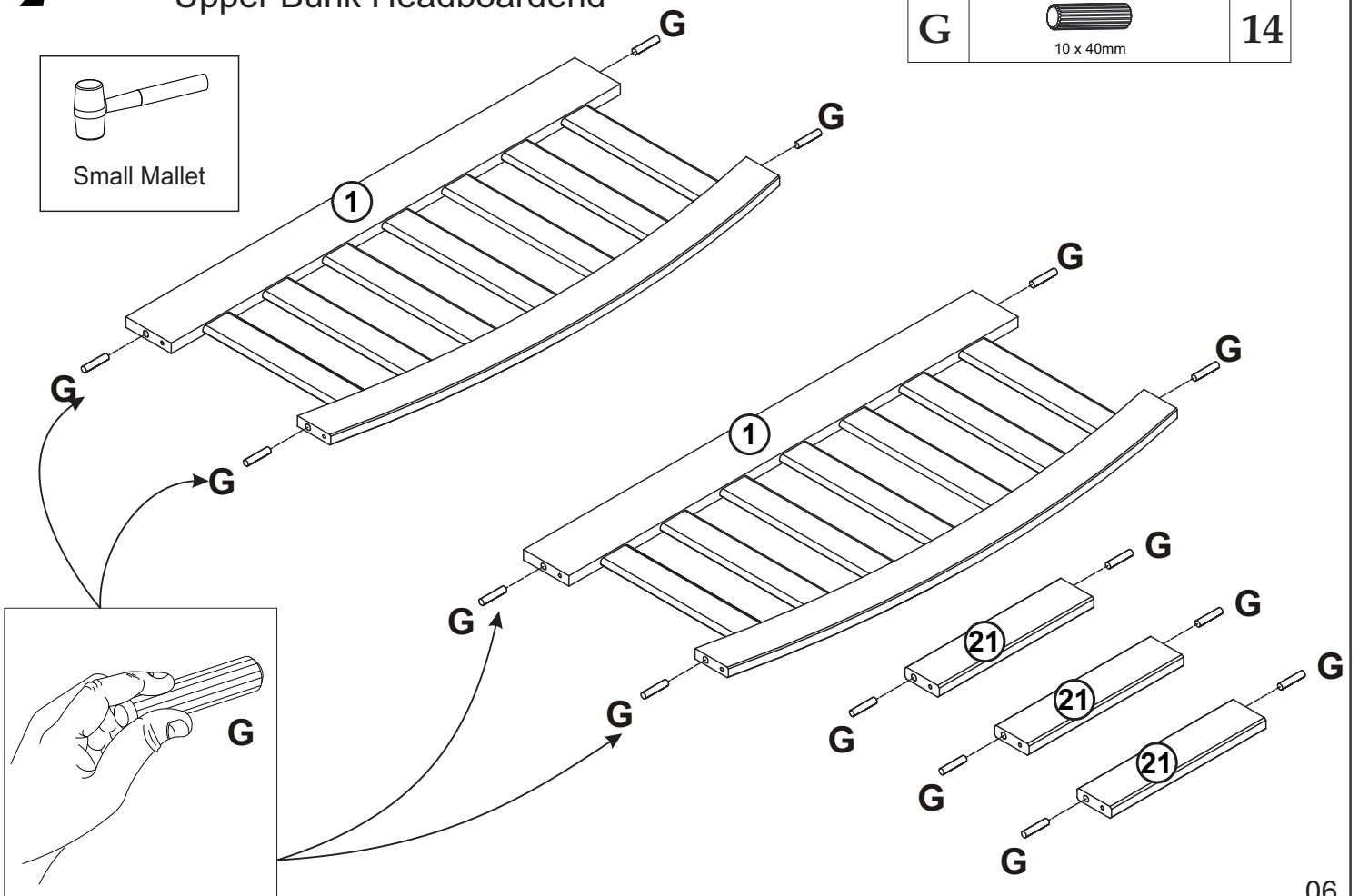
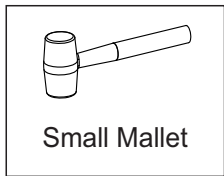


Part List				Hardware List (found in box 1)		
Part	Description	Box	Qty	Part	Description	Qty
1	Top Headend / Footend	1	2	A	1/4 x110 mm Screw 	8
2	Botom Headend / Footend	1	2	B	1/4" Elliptical nut 	8
3	Upper foot	2	1	C	7,0 x 100 mm Screw 	22
4	Upper foot	2	1	D	7,0 x 50 mm Screw 	9
5	Side rail	3	3	E	Allen key 	1
6	Top front guard rail	3	2	F	4,0 x 35 mm CC Screw 	76
7	Lower foot	2	1	G	10 x 40 mm Wooden dowel 	44
8	Lower foot	2	1	H	15 x 90 mm Wooden dowel 	2
9	Lower foot	2	1	J	Wooden spacer 	2
10	Top back guard rail	3	2	L	4,0 x 50 mm CC Screw 	4
11	Lower foot	2	1	M	17 mm Plastic cap 	38
12	Upper foot	2	1	N	4,0 x 16 mm CC Screw 	20
13	Upper foot	2	1	P	Metal bracket 	2
14	Side rail	3	1	R	Metal join 50 x 20 	2
15	Front and back side rail support	3	2	S	4,0 x 25 mm CF Screw 	4
16	Slats	1	15	T	Plastic hole cover 10mm 	1
17	Slats	1	15	You wil need screwdriver and small mallet (not provided).		
18	Special front side rail support	3	1			
19	Ladder side	3	1			
20	Ladder side	3	1			
21	Ladder step	3	3			
22	Central slats support	3	1			
23	Verti al slats support	3	2			
24	Closing triangle	3	1			
25	Closing triangle support	3	1			

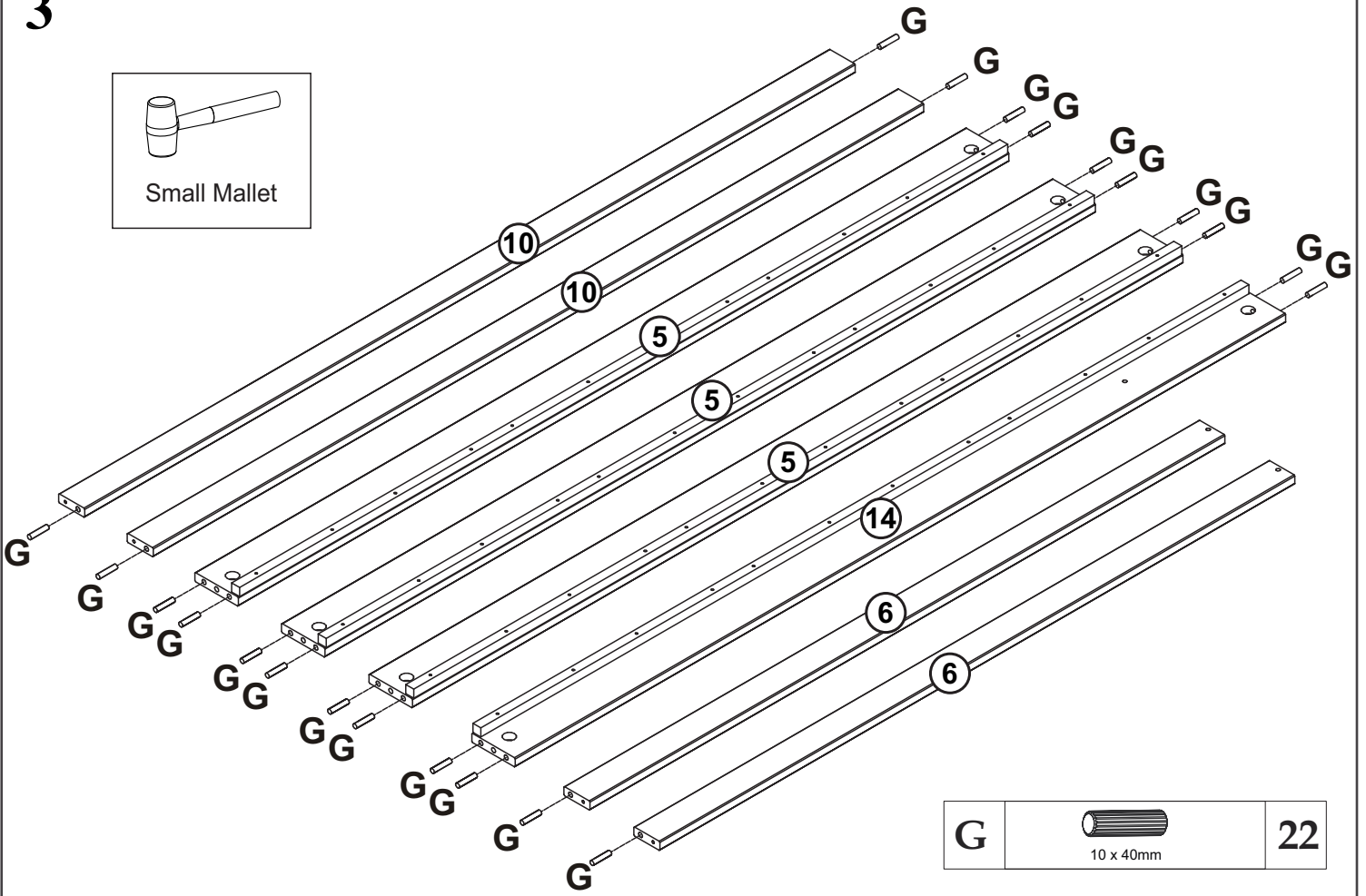
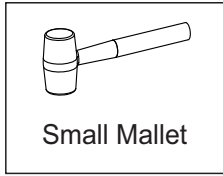
1 Lower Bunk Headboardend



2 Upper Bunk Headboardend

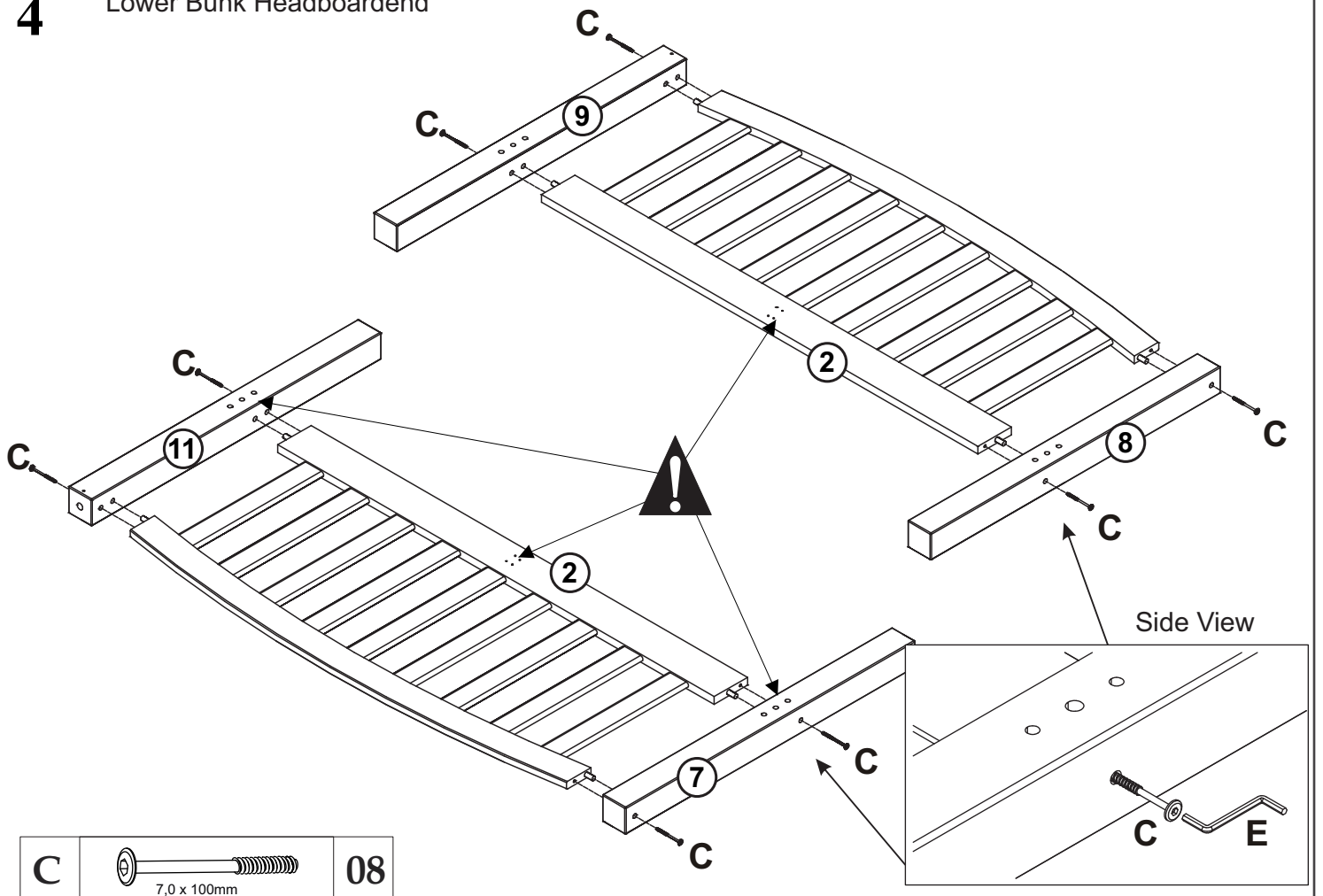


3



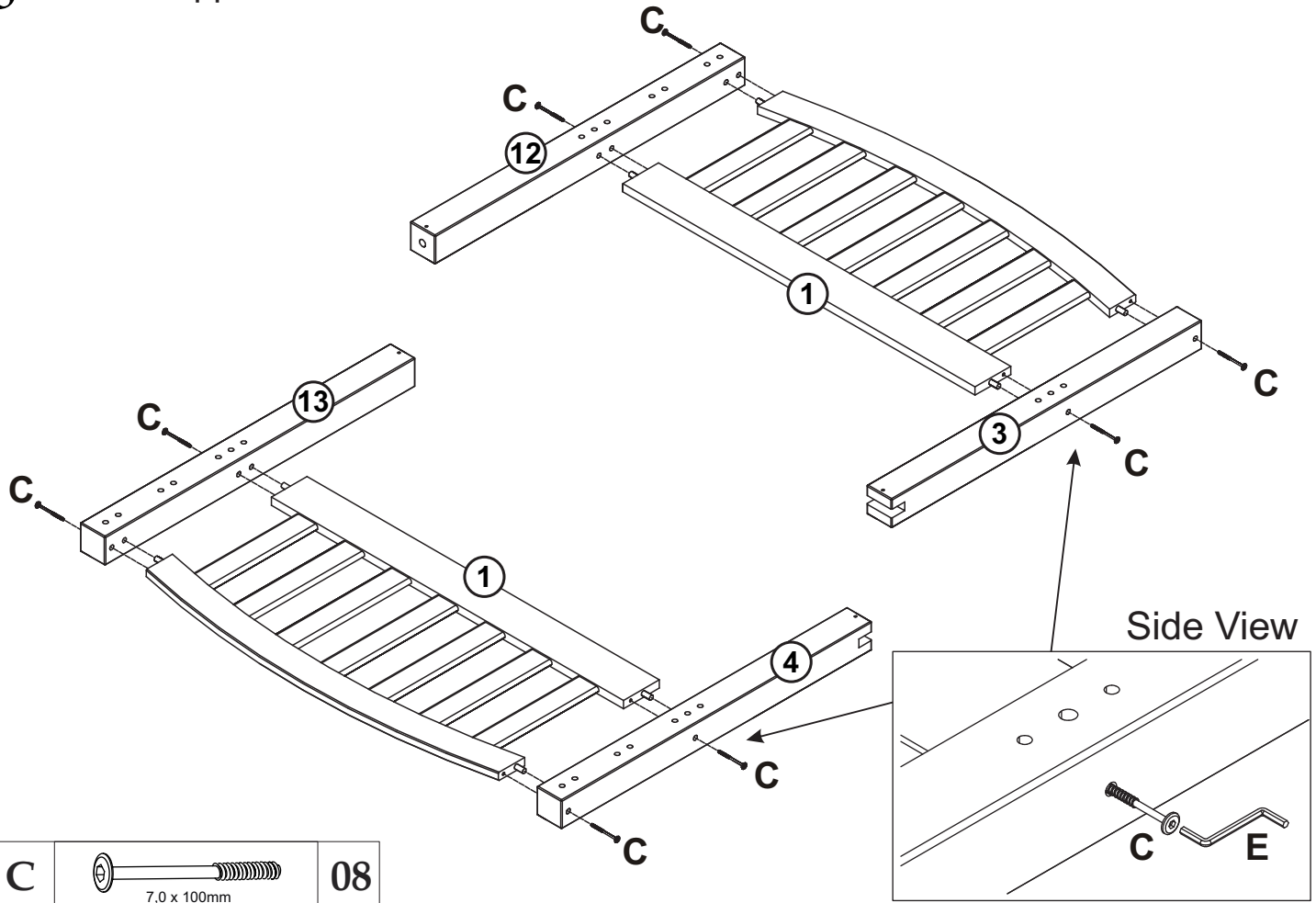
4

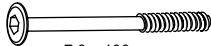
Lower Bunk Headboardend



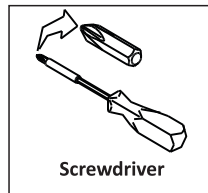
5


Upper Bunk Headboardend

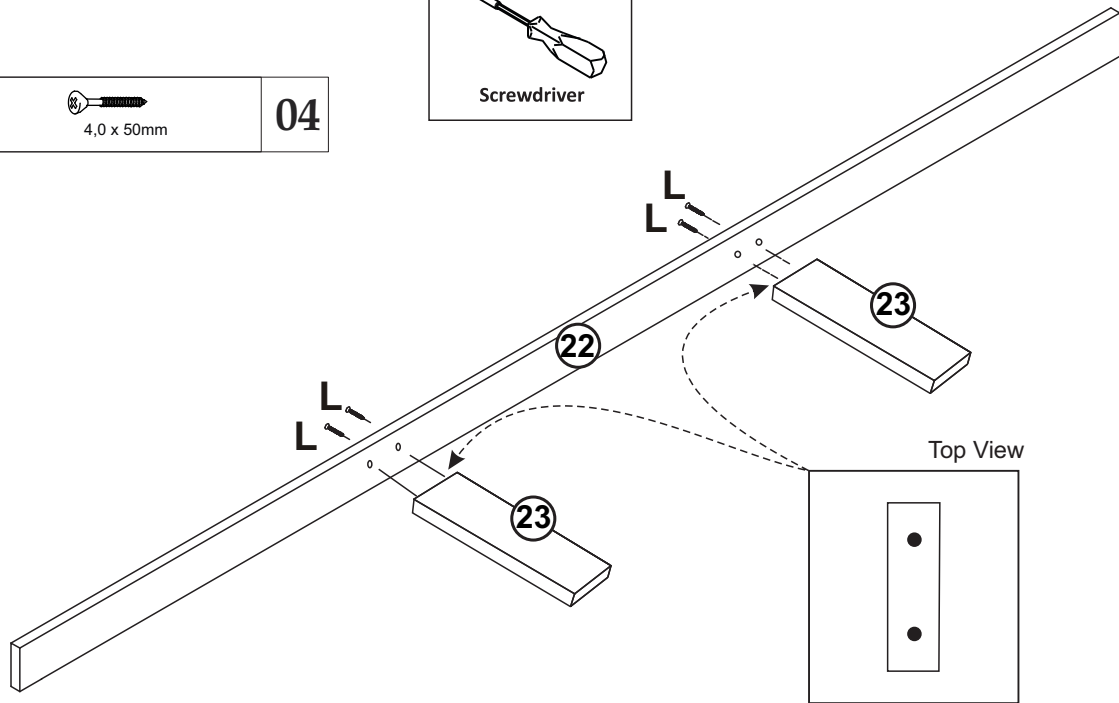


C		08
	7,0 x 100mm	

6



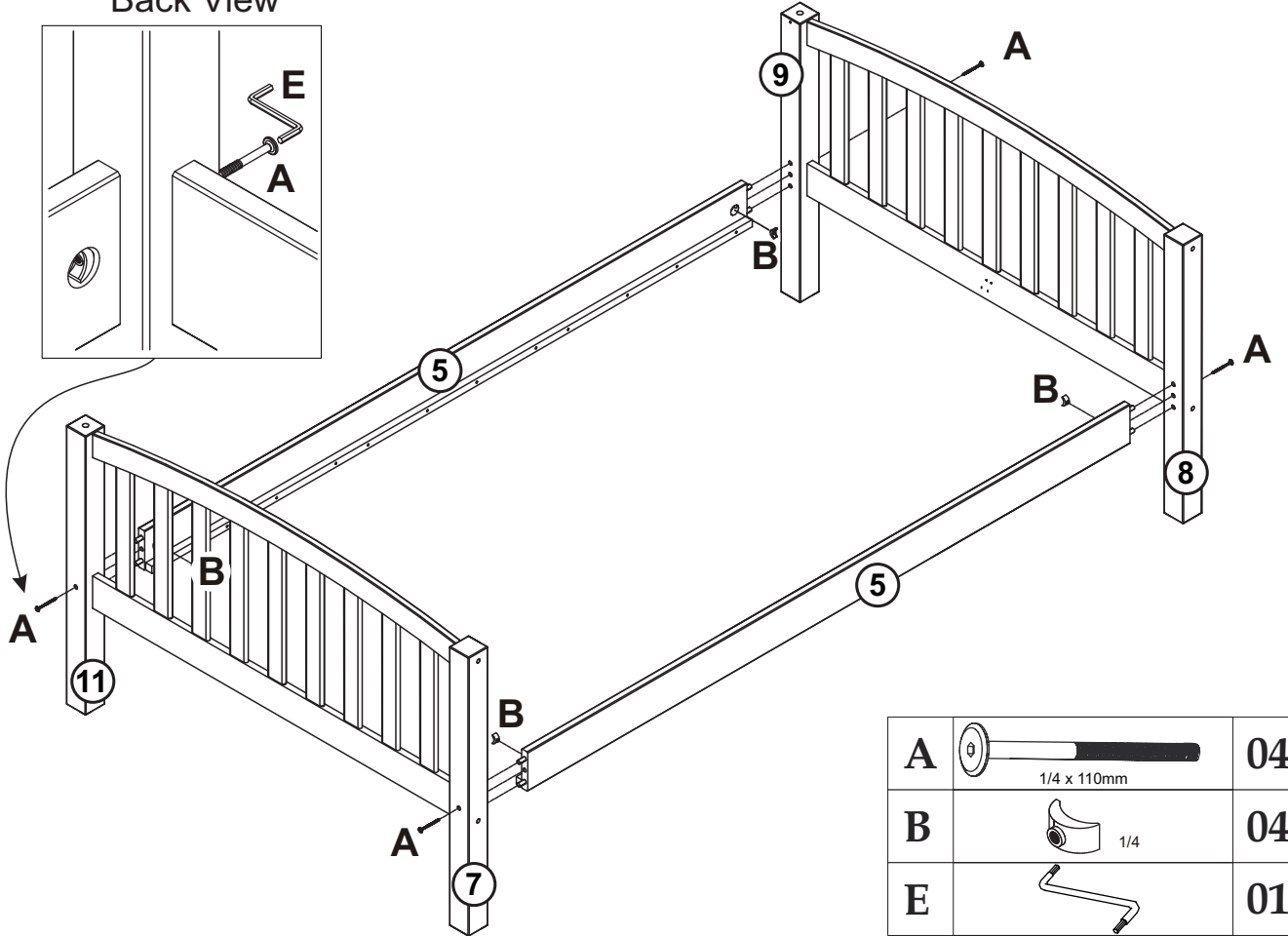
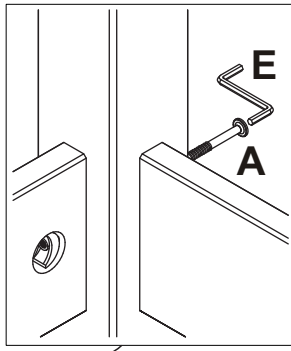
L		04
	4,0 x 50mm	



7

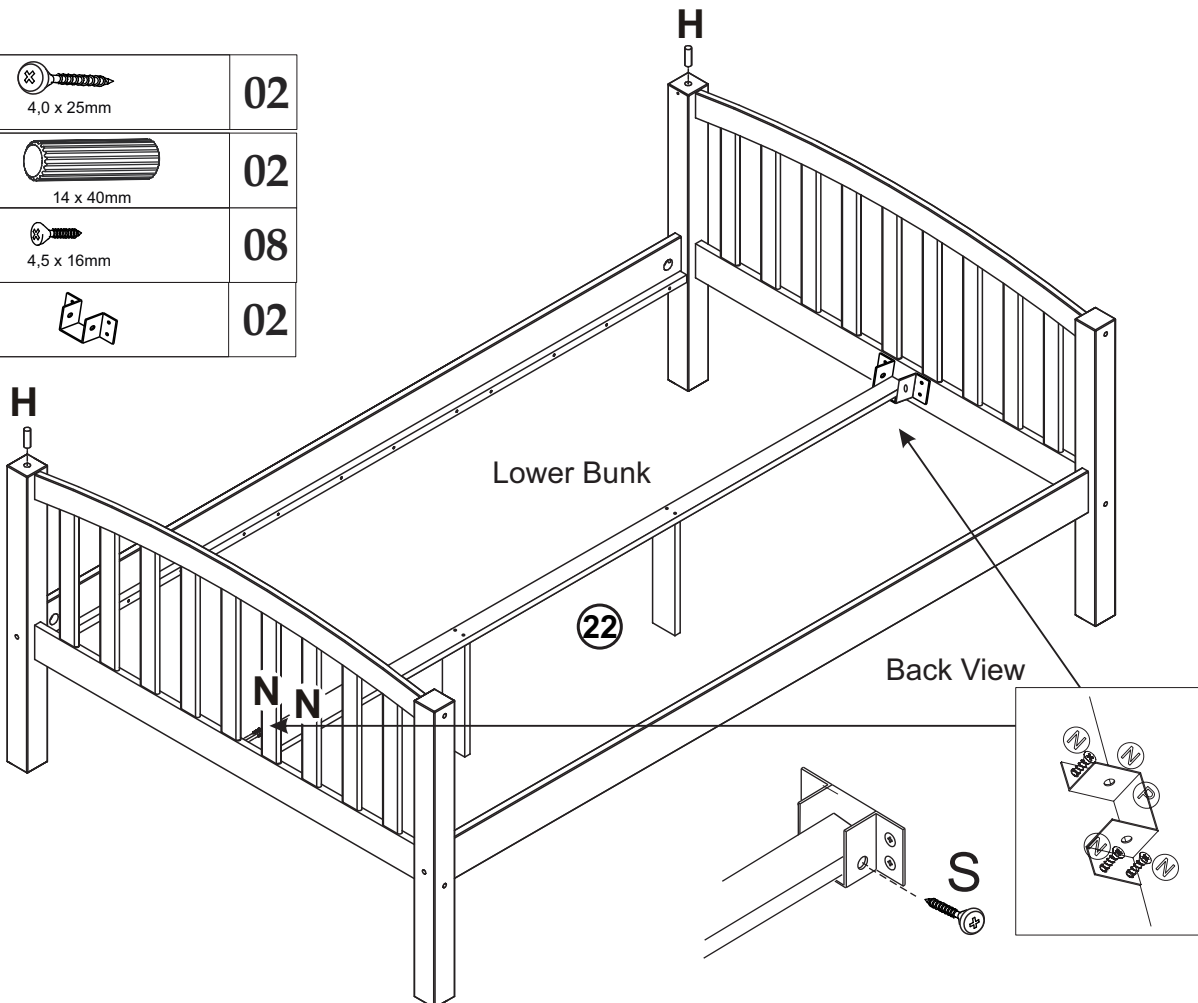
Lower Bunk

Back View

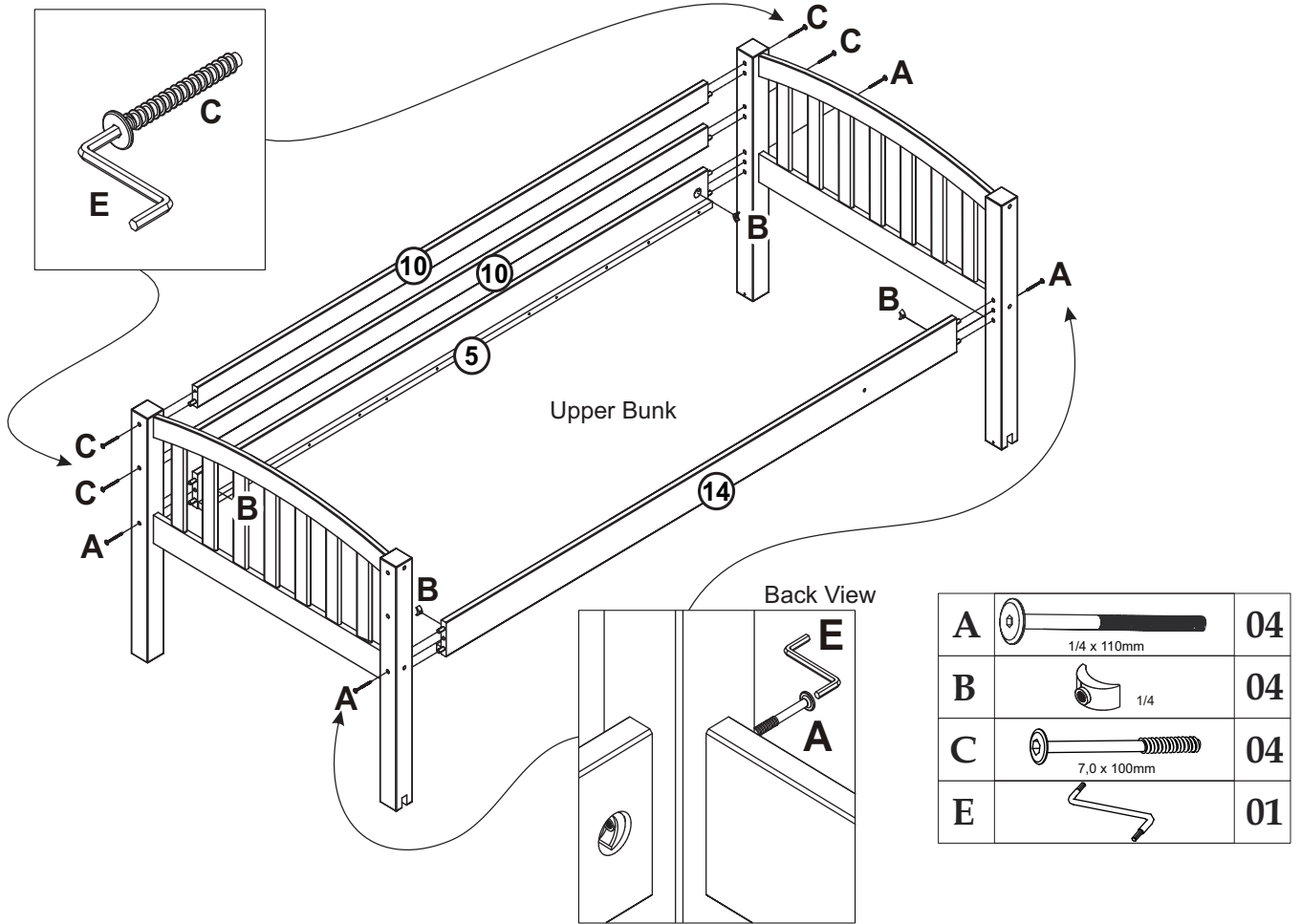


8

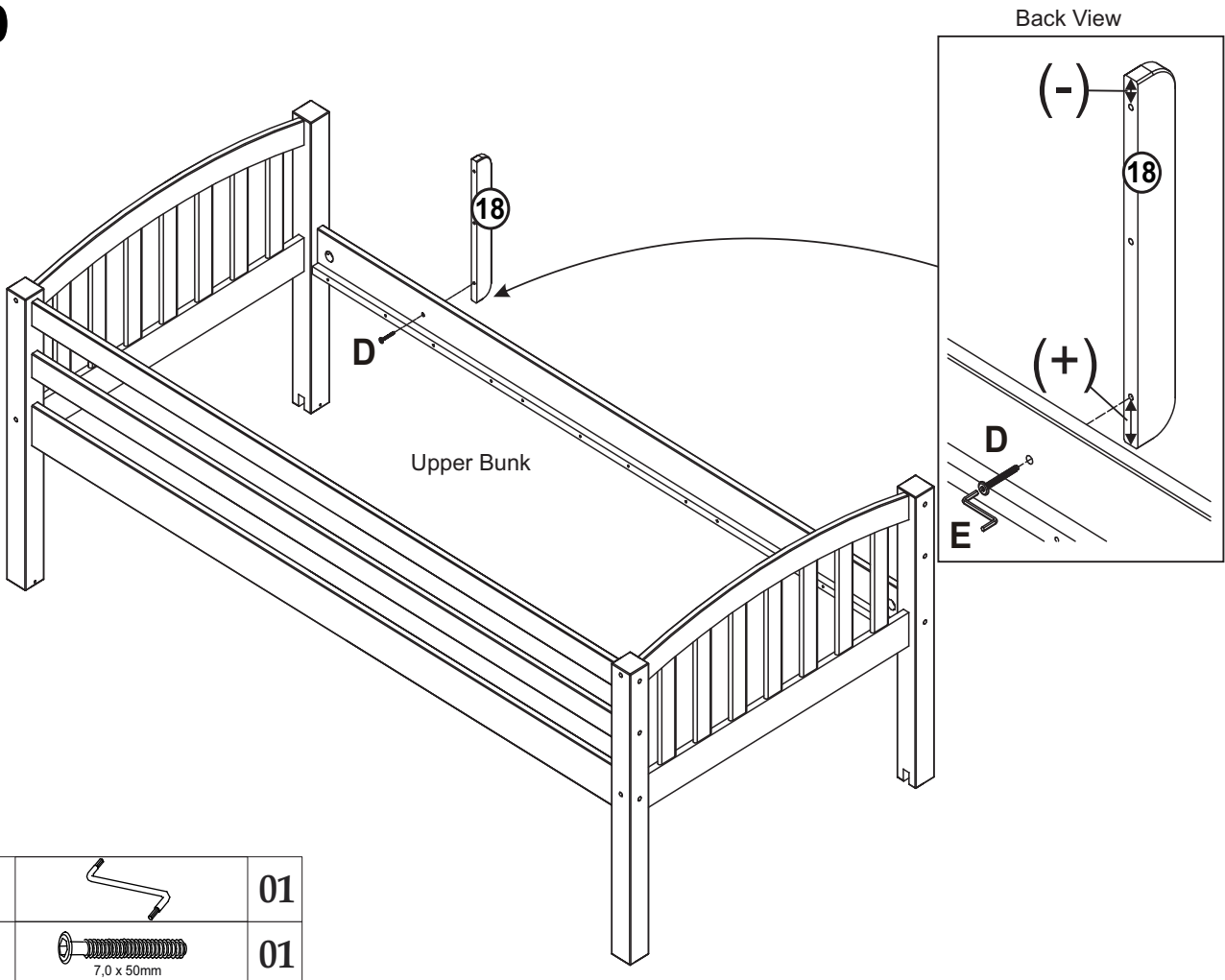
S		02
H		02
N		08
P		02



9

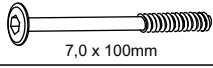
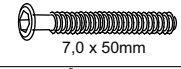
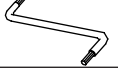


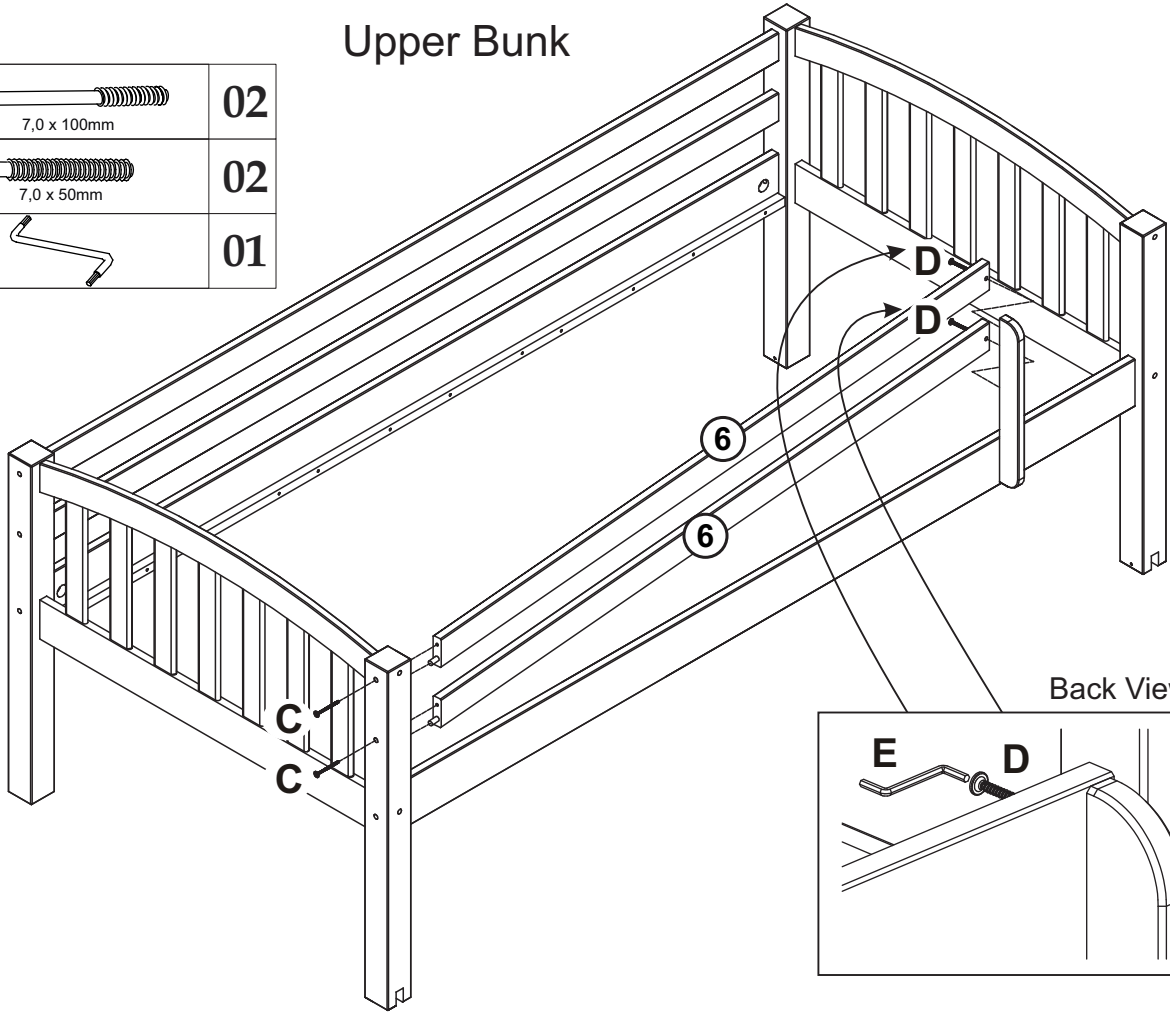
10



11

Upper Bunk

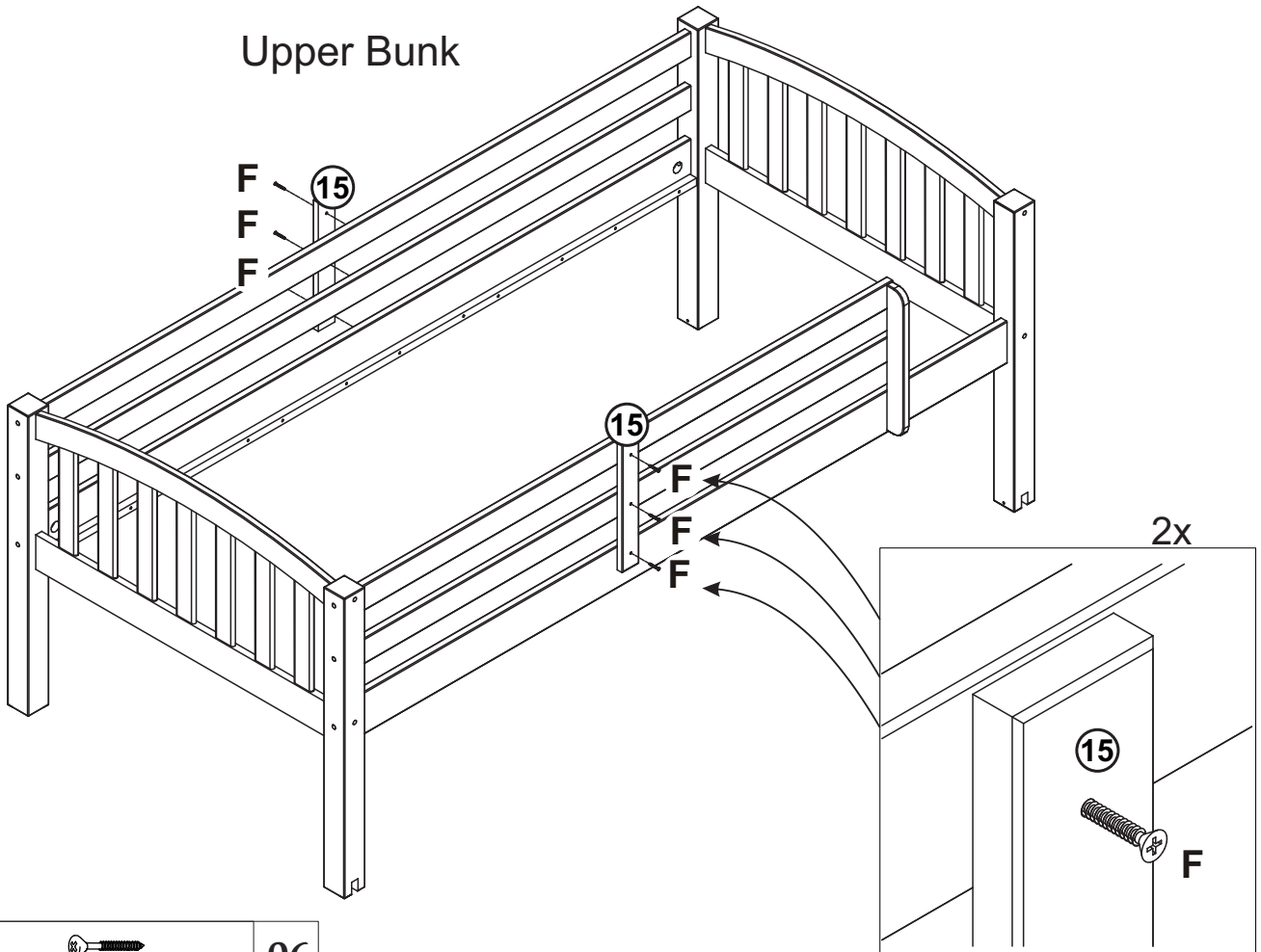
C	 7,0 x 100mm	02
D	 7,0 x 50mm	02
E		01

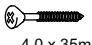


10

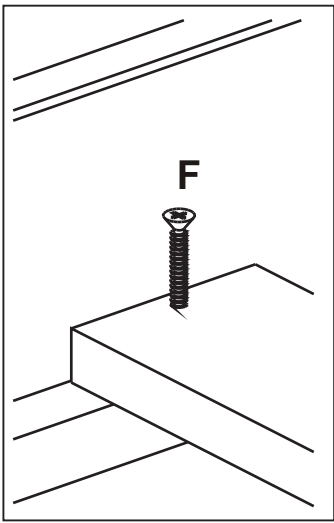
12

Upper Bunk



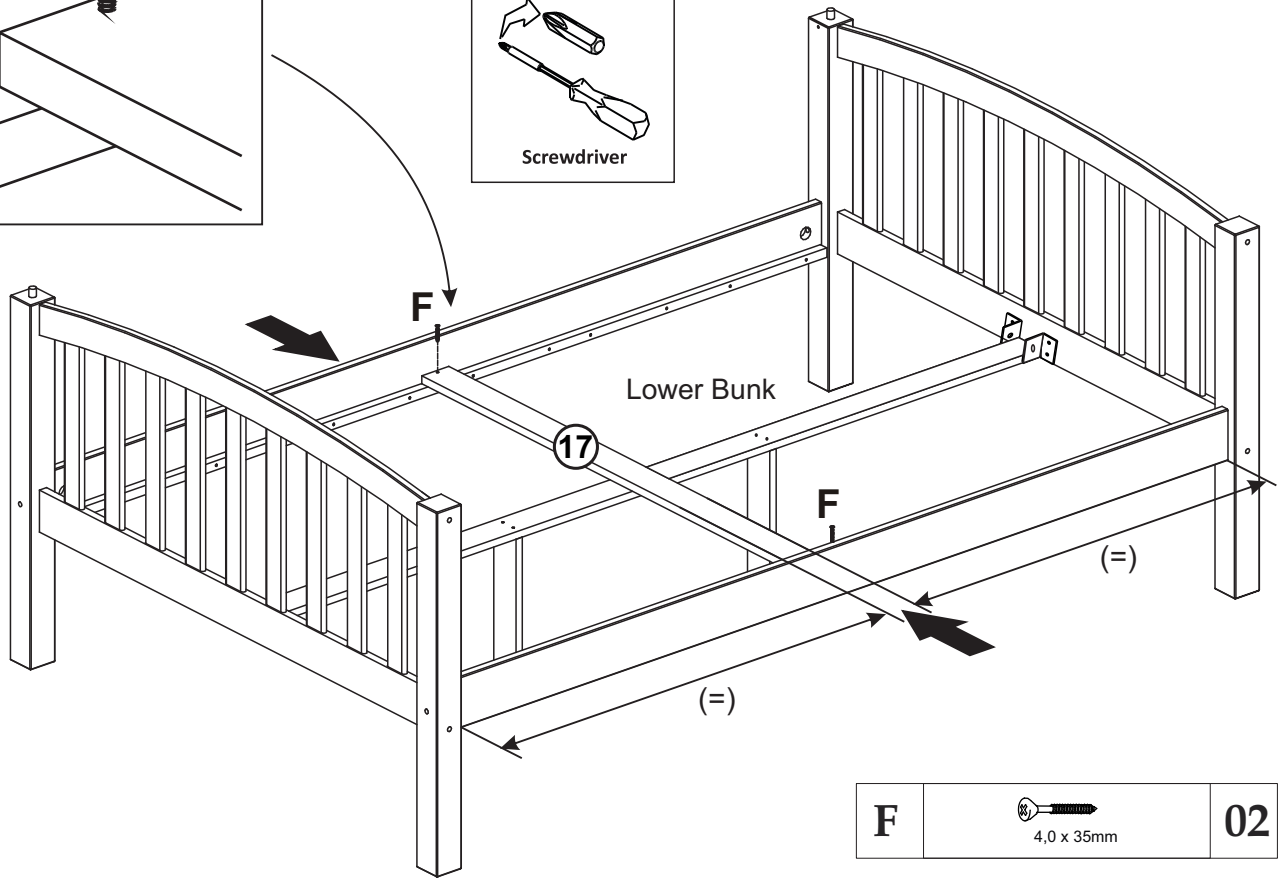
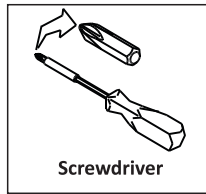
F	 4,0 x 35mm	06
----------	---	-----------


13



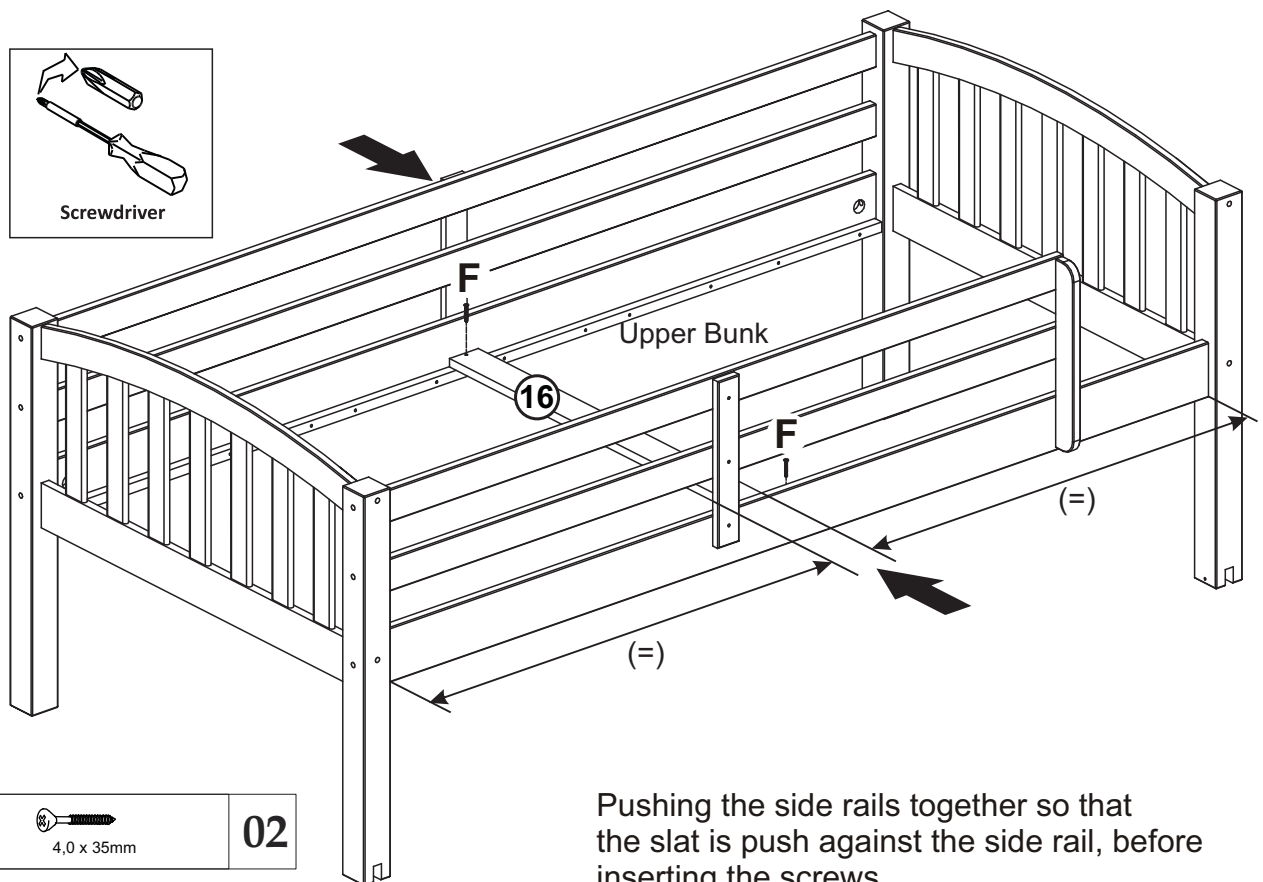
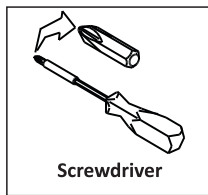
Top View


Pushing the side rails together so that the slat is push against the side rail, before inserting the screws.



F	 4,0 x 35mm	02
---	---	----

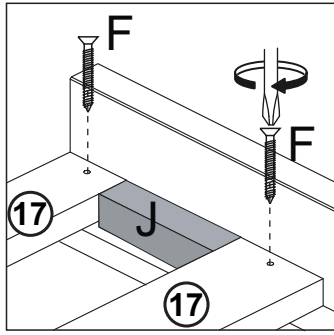
14



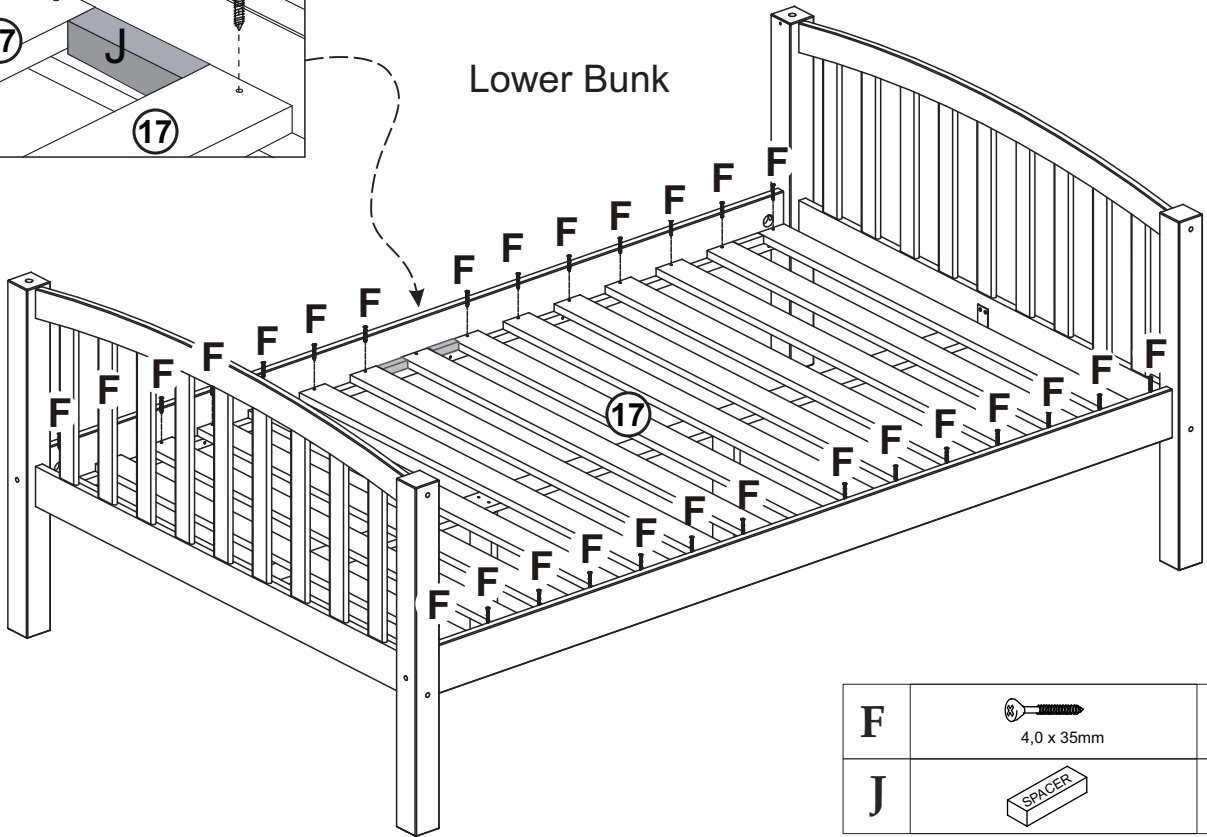
F	 4,0 x 35mm	02
---	---	----

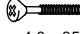

Pushing the side rails together so that the slat is push against the side rail, before inserting the screws.

15

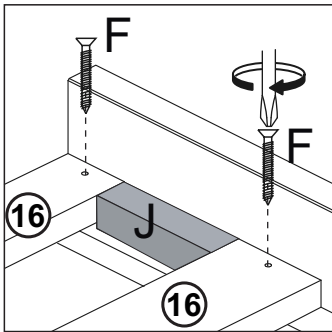


Lower Bunk

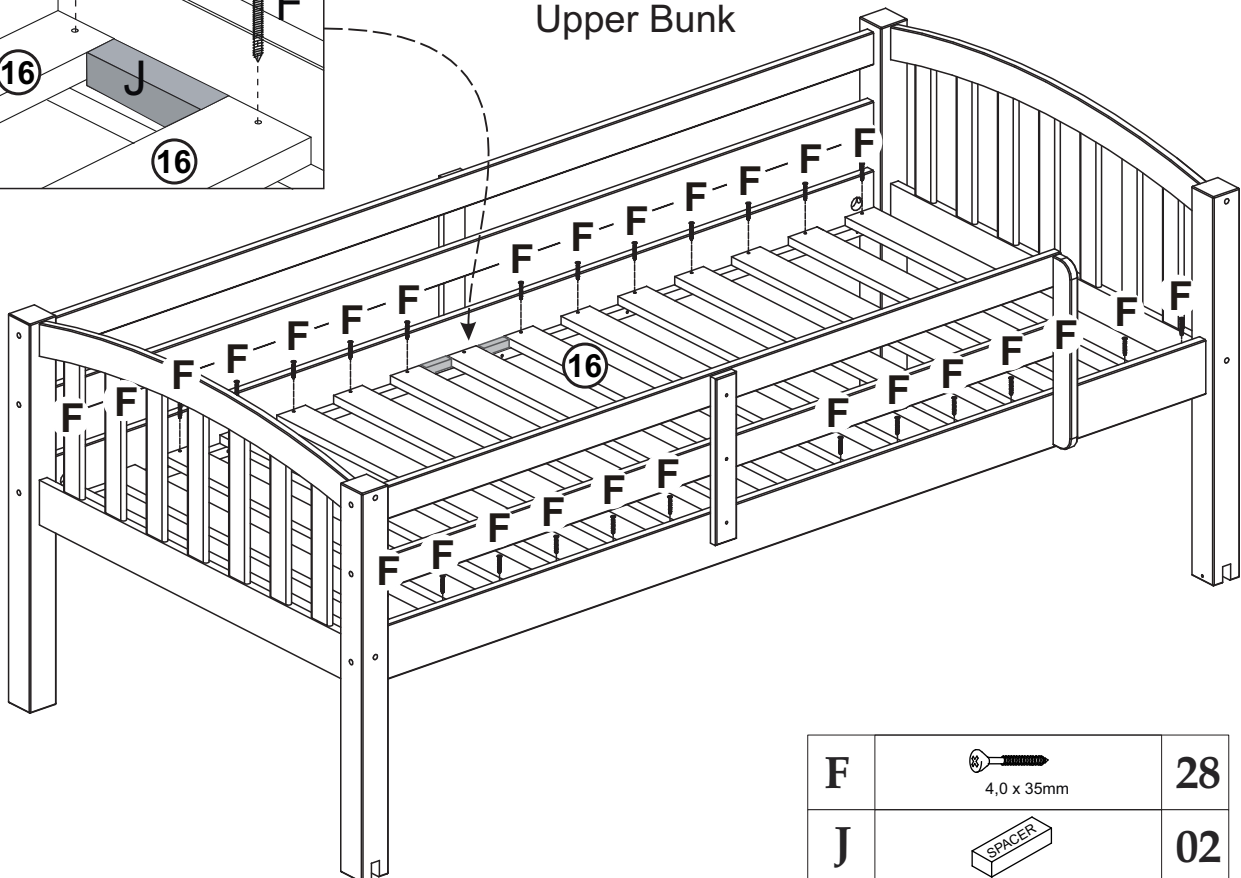




F	 4,0 x 35mm	28
J	 SPACER	02

16



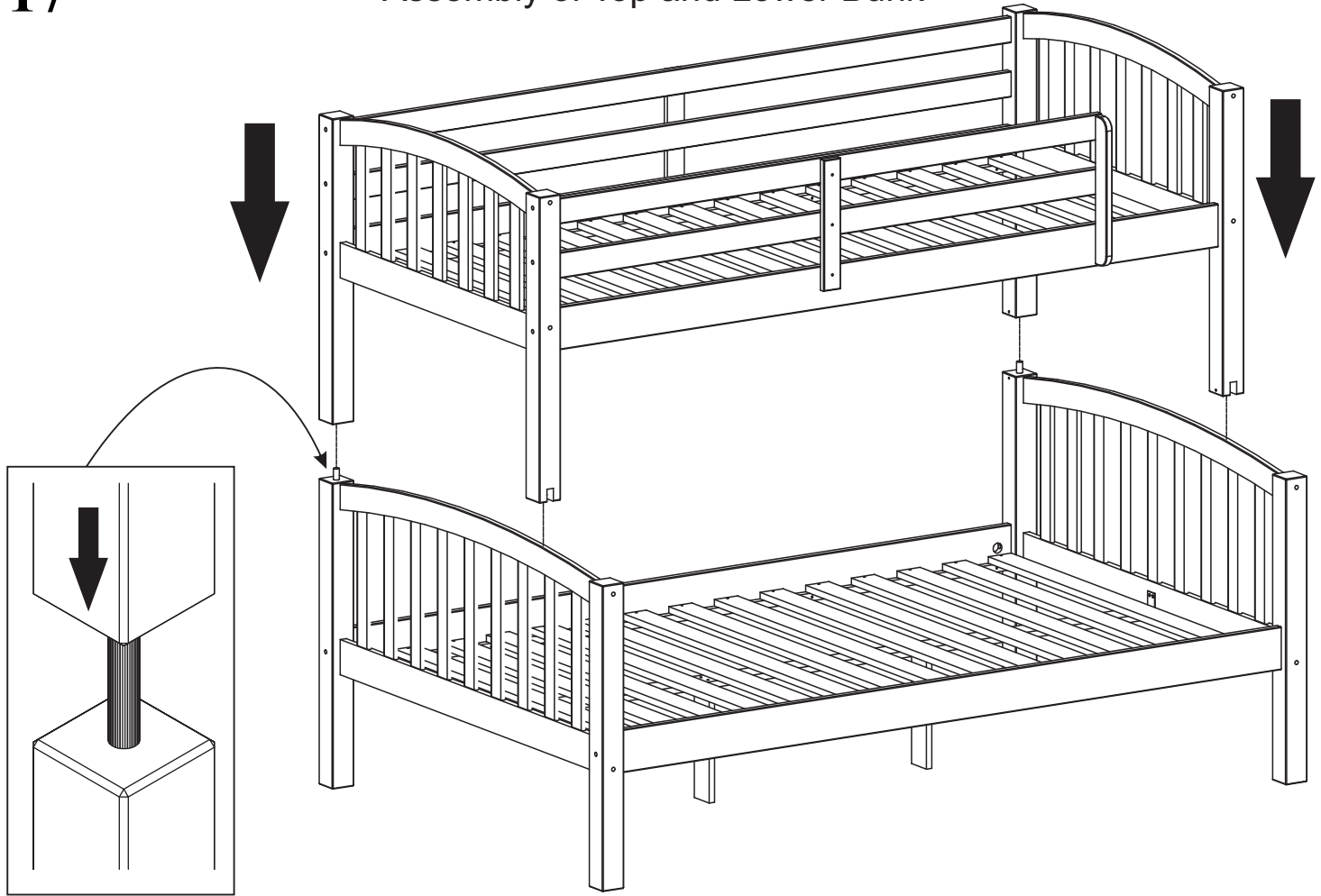
Upper Bunk



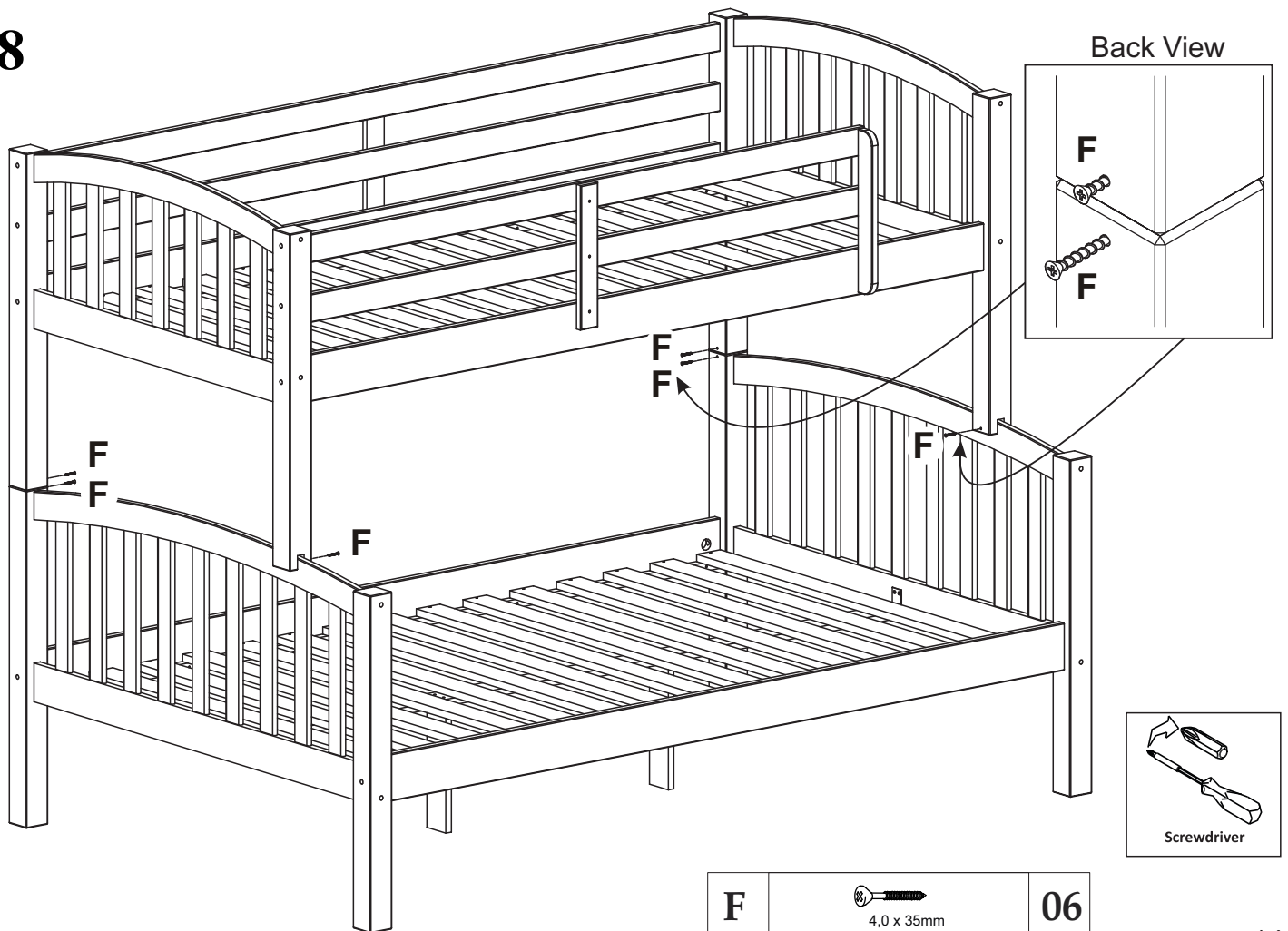
F	 4,0 x 35mm	28
J	 SPACER	02

17

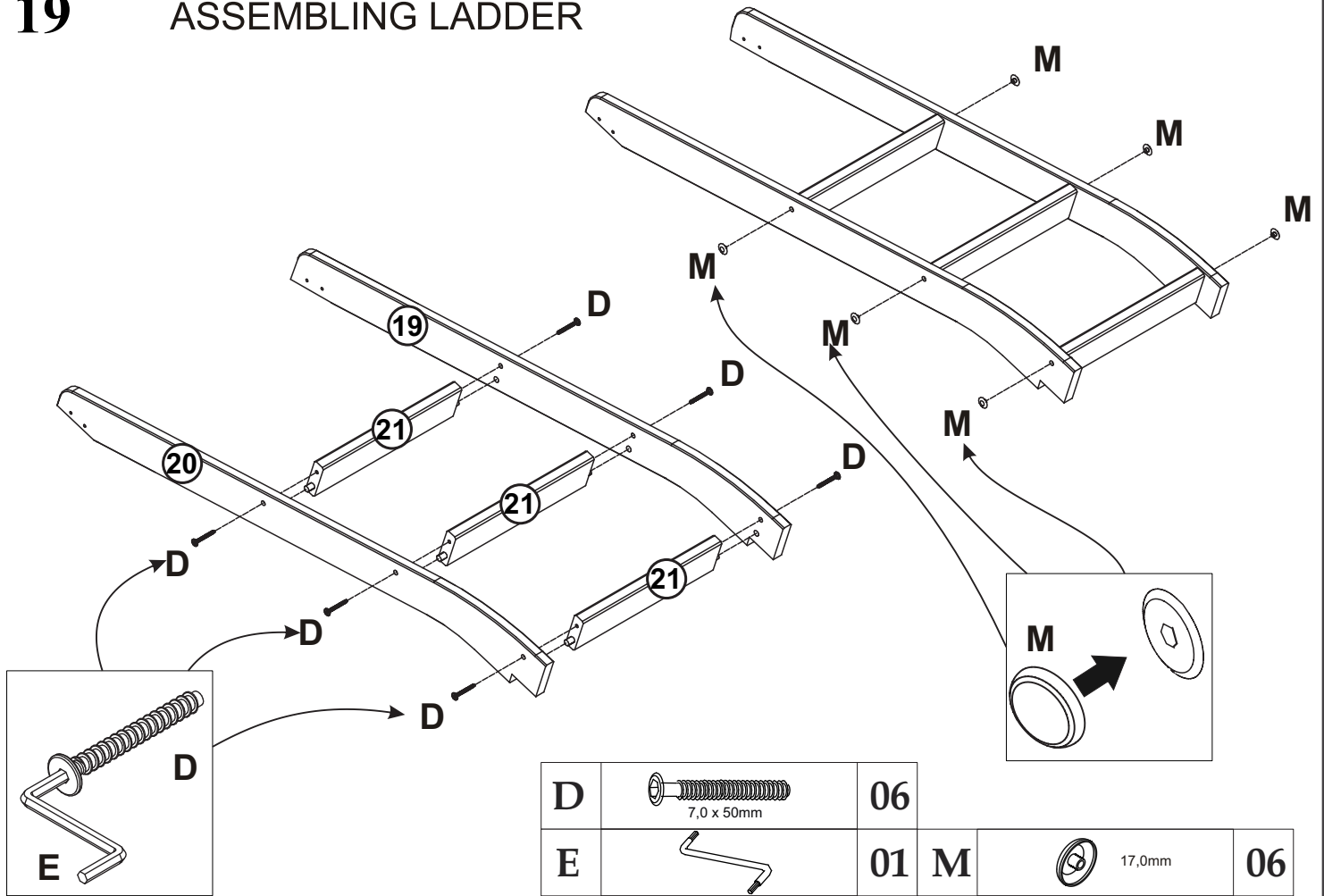
Assembly of Top and Lower Bunk



18

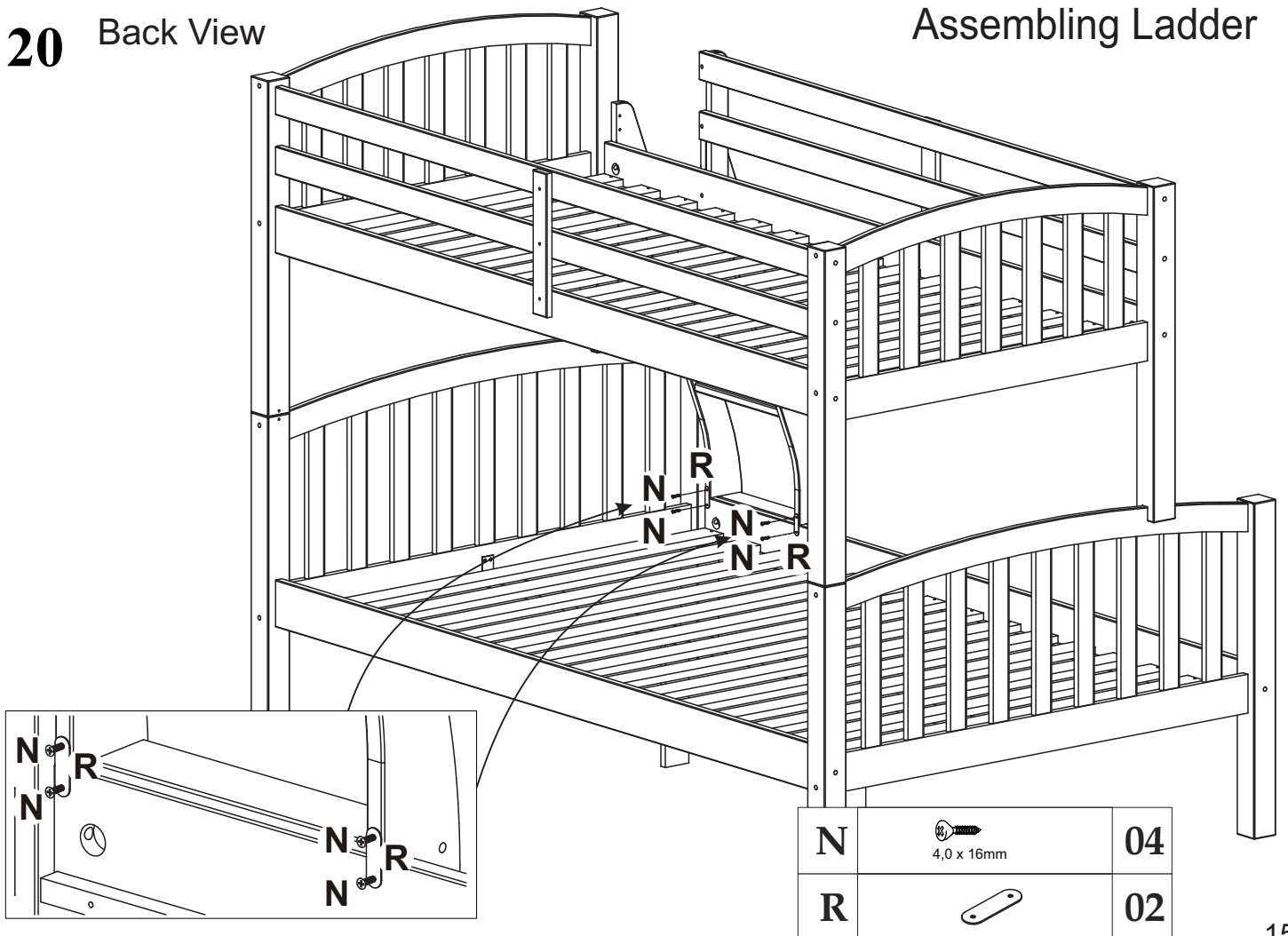


19 ASSEMBLING LADDER



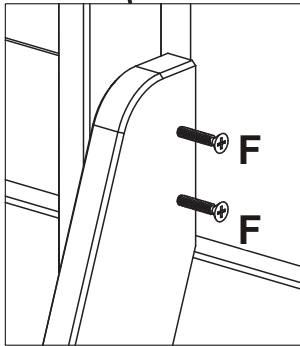
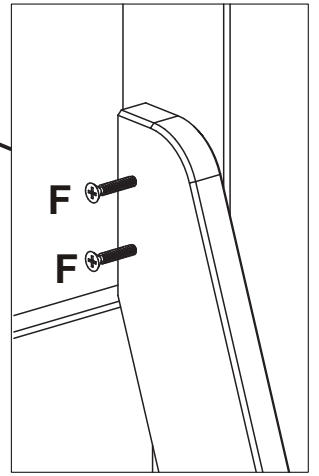
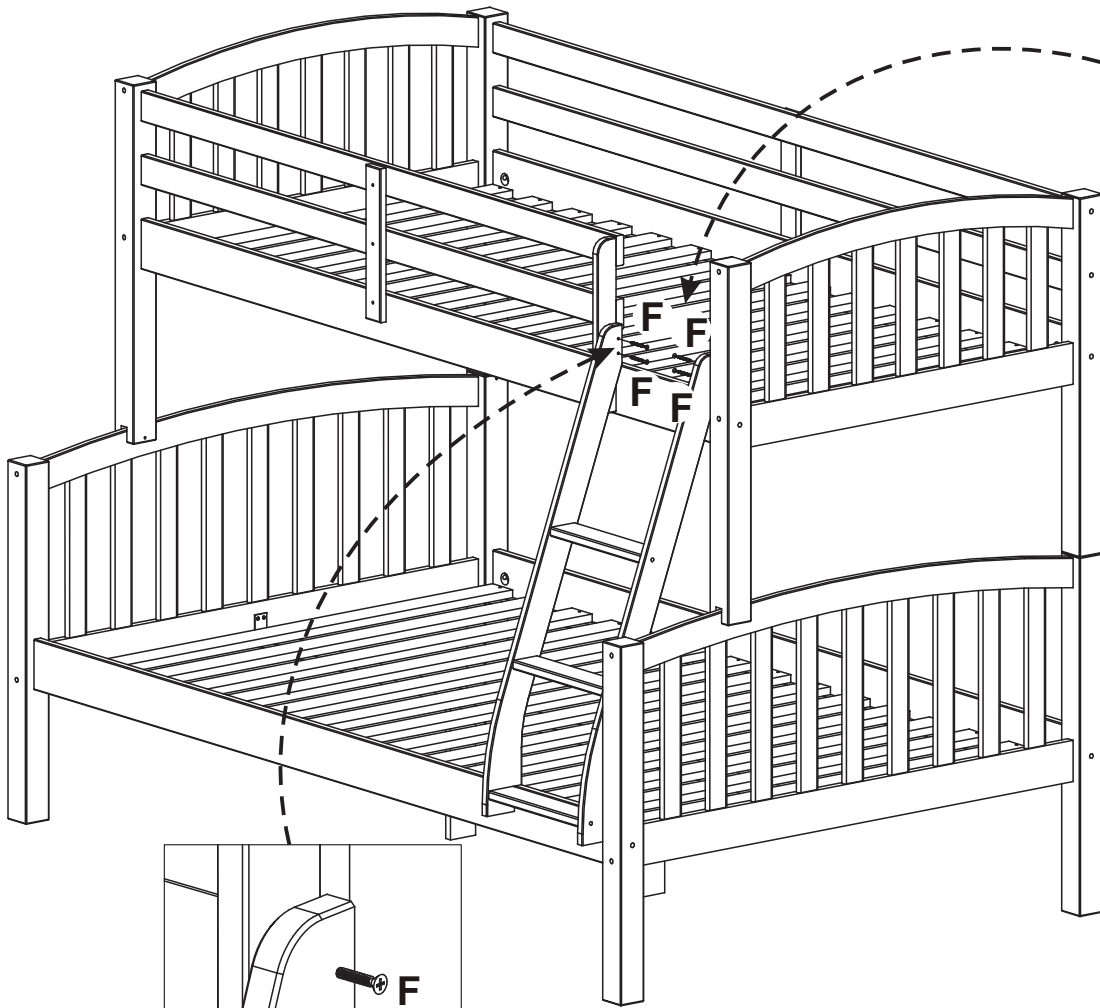
20 Back View

Assembling Ladder

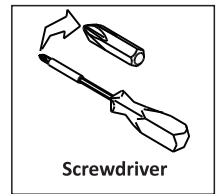



21

Side View



Side View



F	 4,0 x 35mm	04
---	---	----

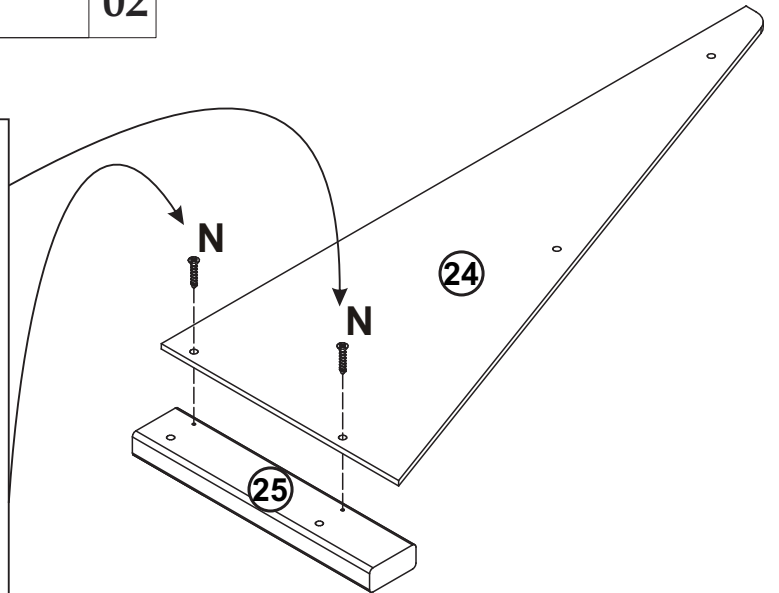
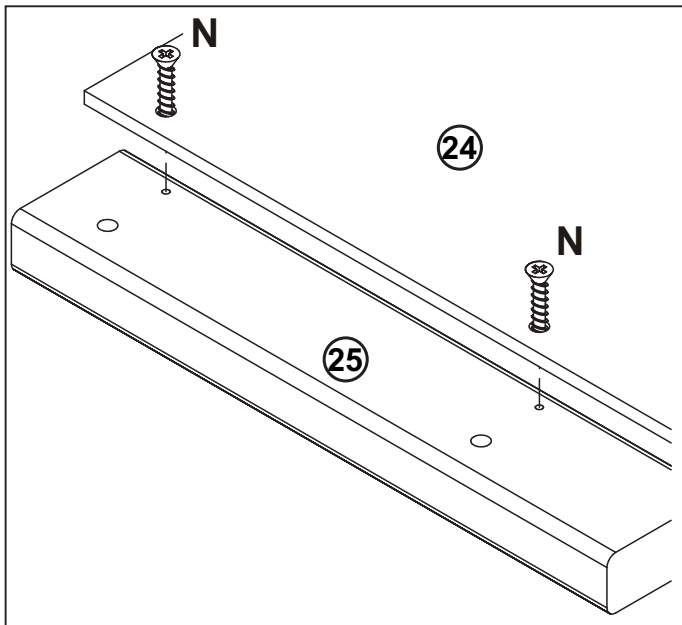
22

N



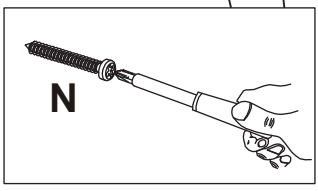
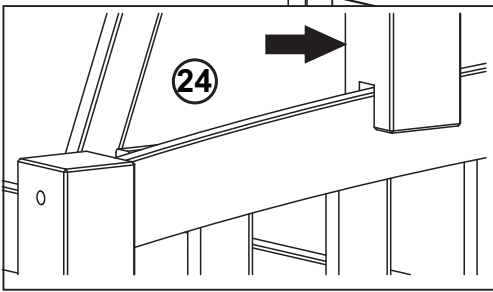
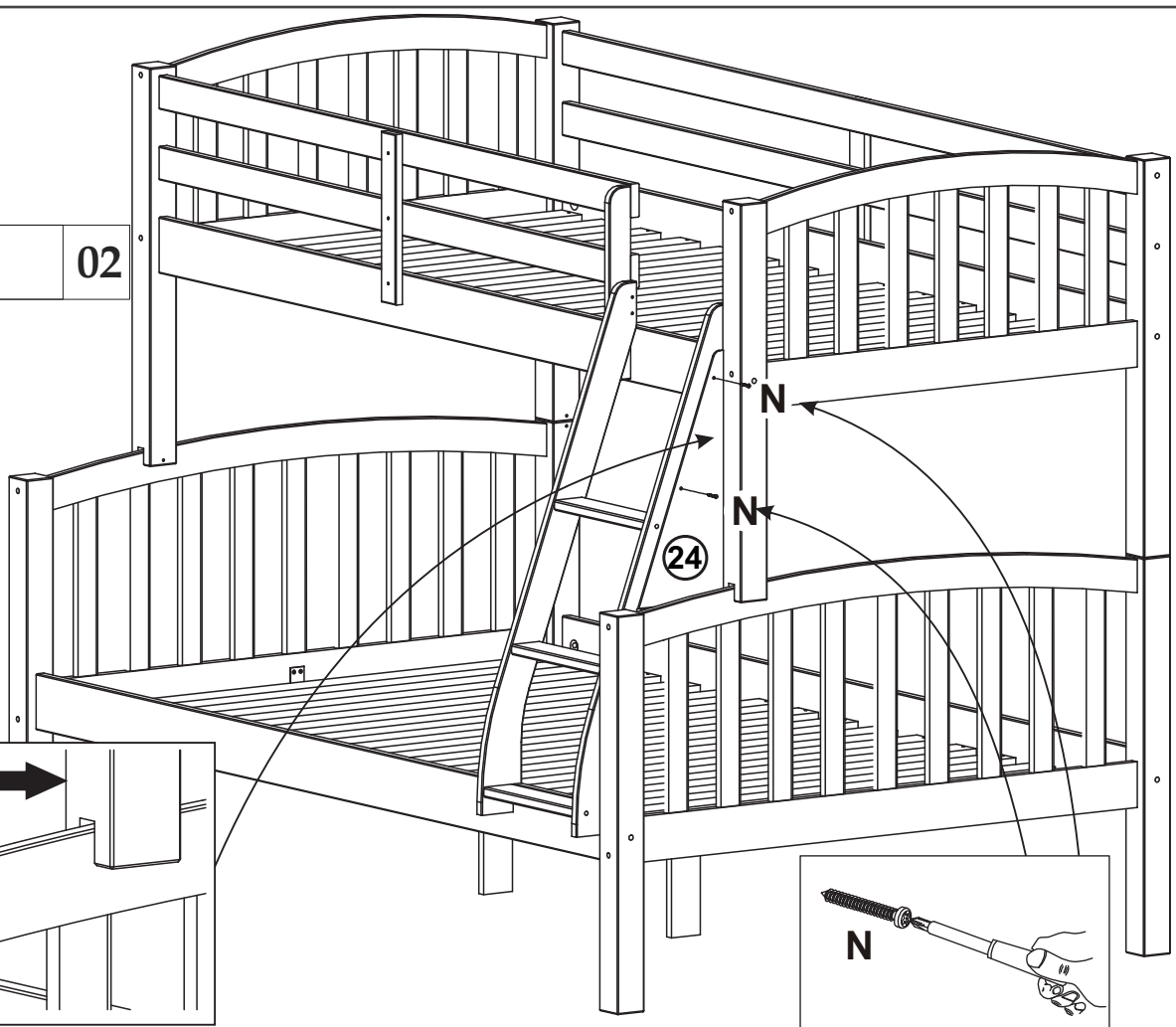
02

Top View

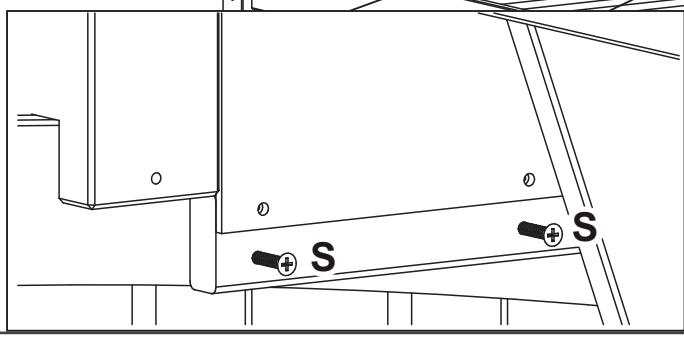
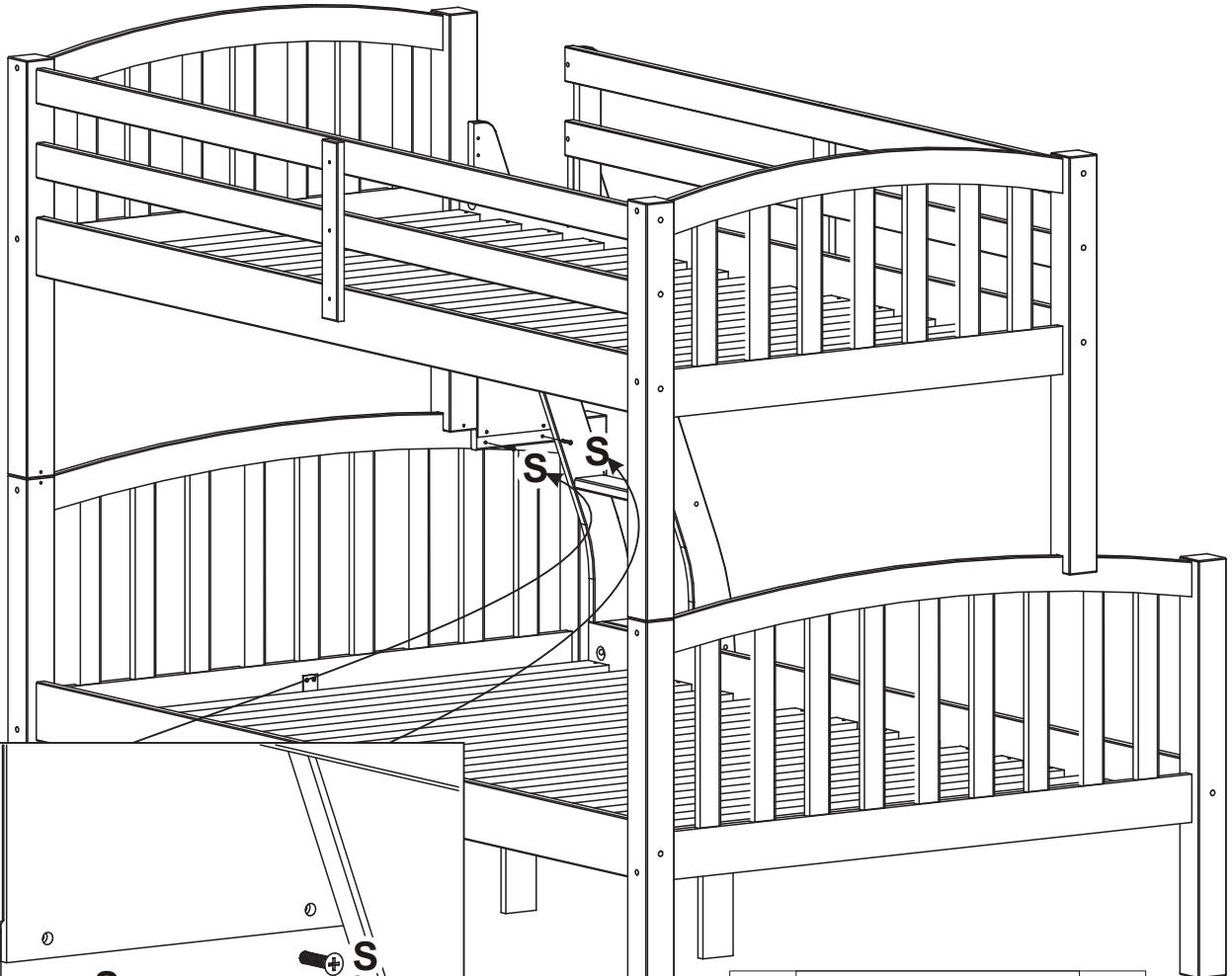


23

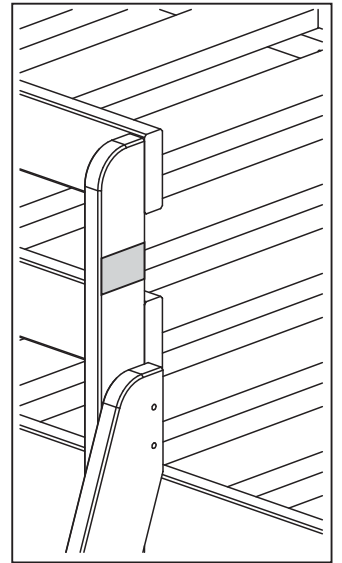
N 4,0 x 16mm 02



24

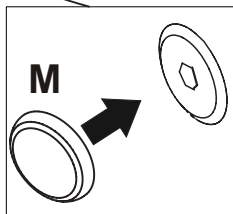
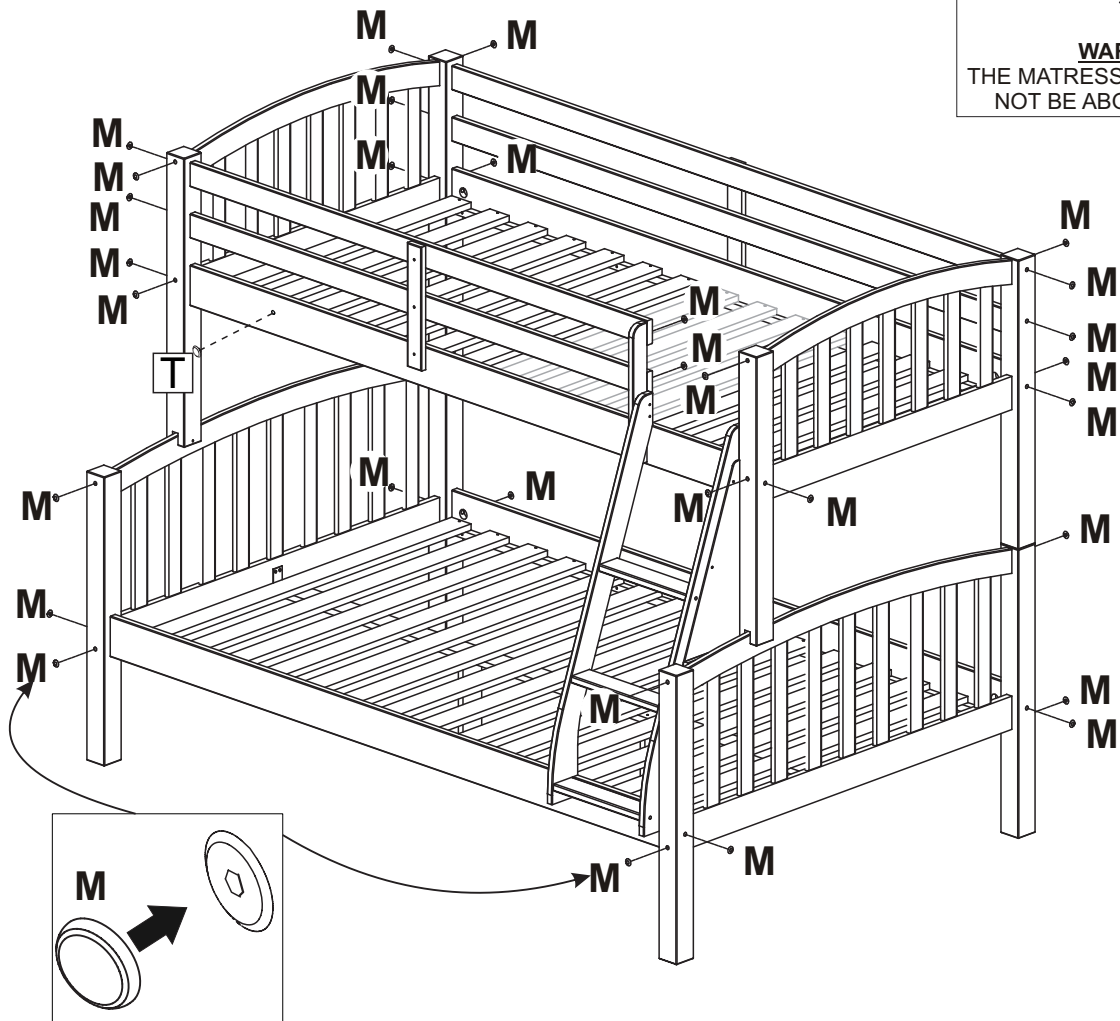




S 4,0 x 25mm 02



Side View

↑
WARNING:
 THE MATTRESS SURFACE MUST
 NOT BE ABOVE THIS LINE.



T		x1
M	 17,0mm	32

Please dispose of all packaging safely.

General Care & Maintenance

Wipe clean with a slightly damp cloth.
Avoid the use of all household cleaners and abrasives.

Periodically check all screw & fixings to ensure they are secure.
When moving your product, carefully lift into place. Never drag or push the pieces across the floor as this will cause damage to the joints and could result in failure to the product that will invalidate the warranty.

For more information on cleaning and product care visit:
<https://www.happybeds.co.uk/help-and-advice>

Notes

We've tried to make this product as easy to assemble as possible. In the unlikely event that you have problems putting it together or have damaged or missing pieces, please contact us by visiting:

<https://www.happybeds.co.uk/customer-service>



www.happybeds.co.uk

