



Assembly Instructions

Important before assembly:

Read these instructions carefully before assembling or using the product.

Please check the contents of the boxes before attempting to assemble this product. The instructions will have a checklist of parts and fittings.

Assemble the product as close to its intended final location/room as possible.

Health & Safety:

This product or some parts of this product will be heavy. Please use an assistant when lifting.

Please keep small parts out of reach of children.

Always use on a level, even surface.

DO NOT jump on the product or any of its parts.

DO NOT use this product if any parts are missing, damaged or worn.

DO NOT use this product unless all fixings are secured.

Further instructions are on the following pages.

Please keep these instructions for future reference.



This product or some parts of this product will be heavy. Please use an assistant when lifting.



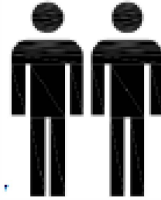
Never drag or push the pieces across a hard or stone floor as this will cause damage to the joints. Use a carpet or a rug for extra care.



If you have problems assembling or have damaged or missing pieces, please contact our customer services (details at the back of these instructions)

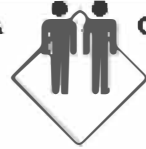
1Hr

APPROXIMATE ASSEMBLY TIME



2 PERSON ASSEMBLY

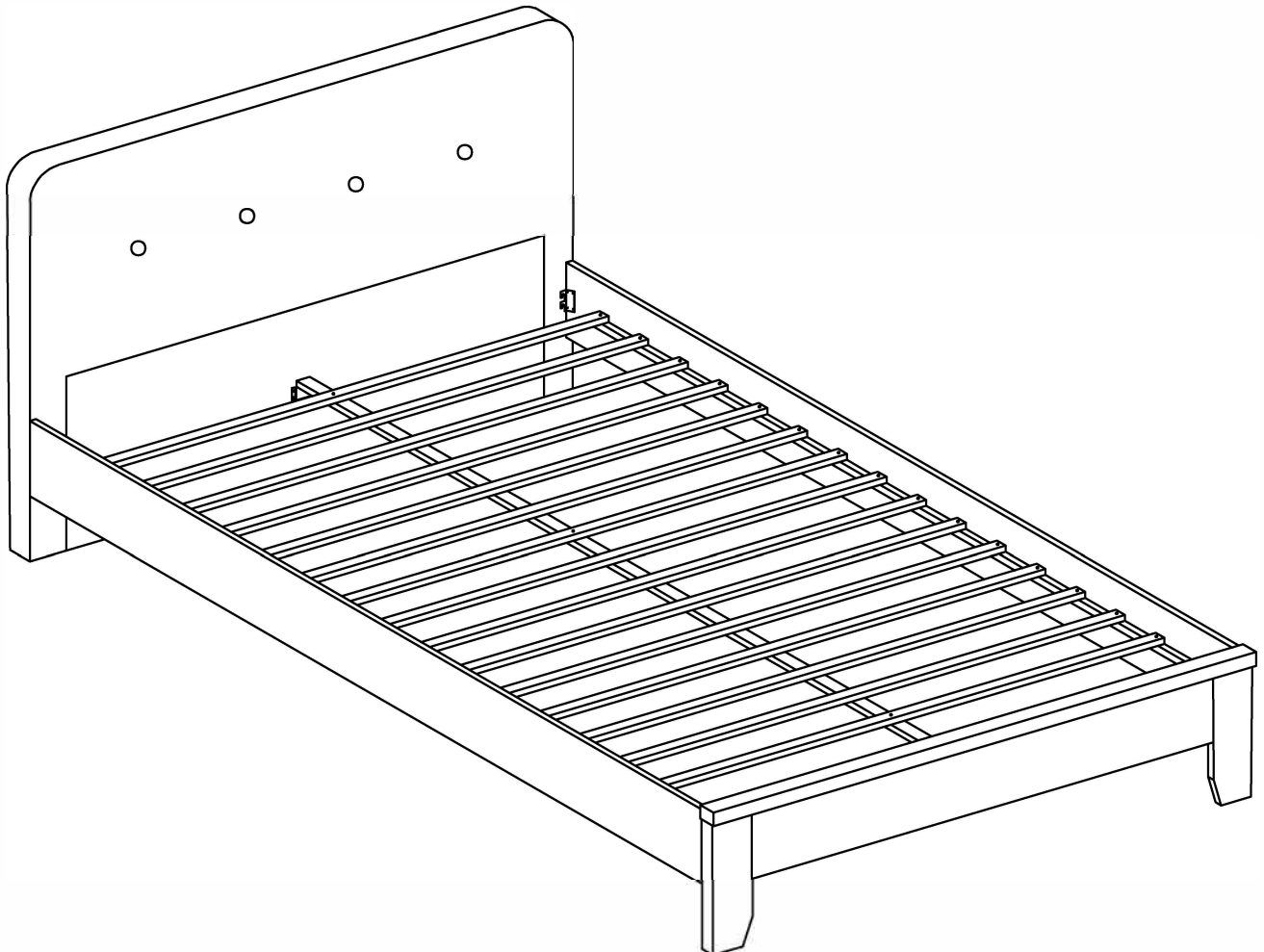
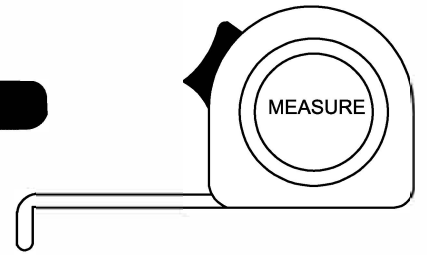
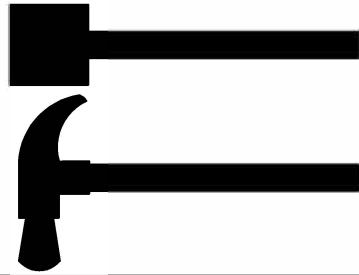
FLOOR AREA
2M X 3M



CEILING HEIGHT
2.4M

REQUIRED ASSEMBLY SPACE

REQUIRED ASSEMBLY TOOL

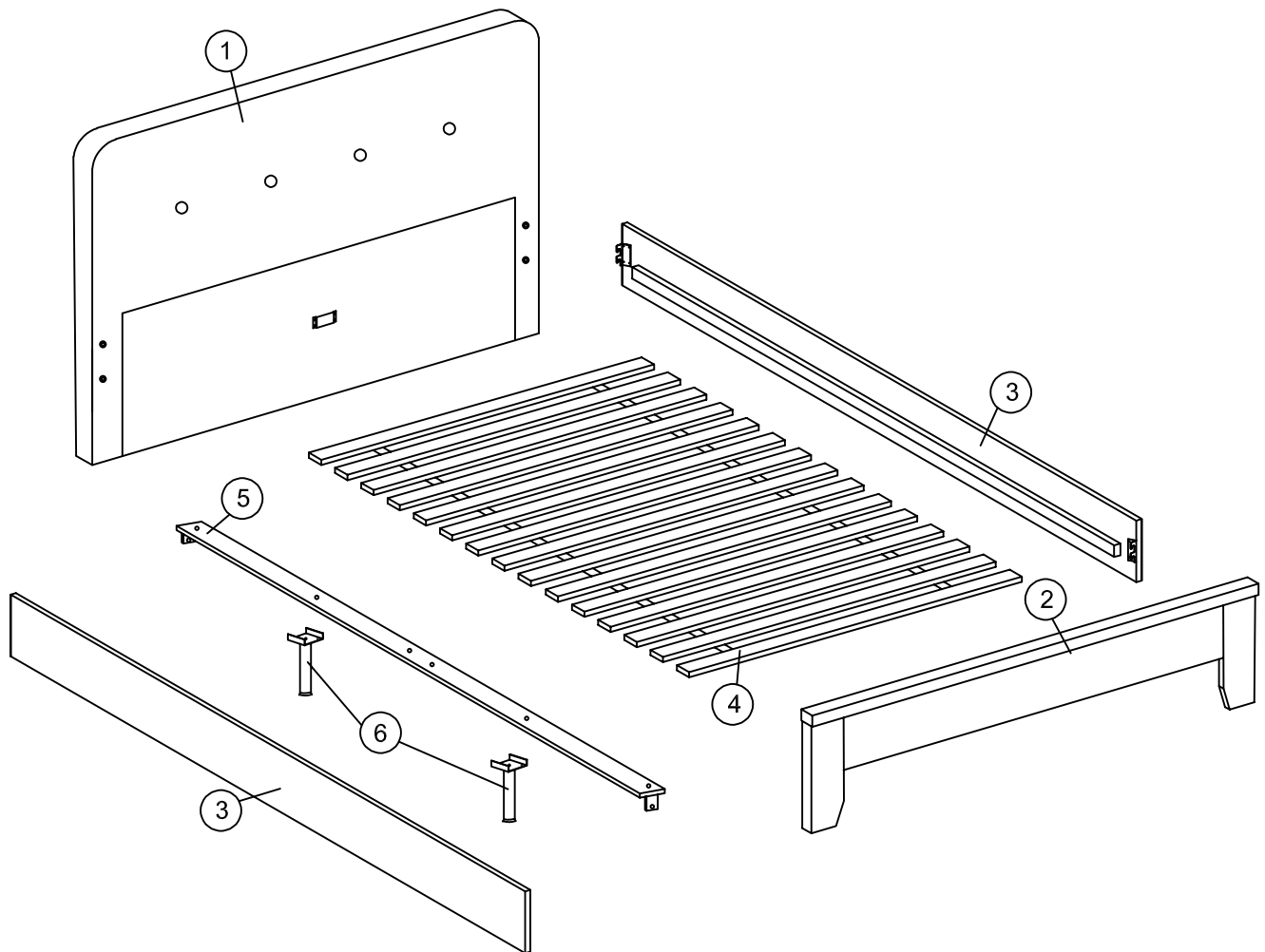


PARTS LIST

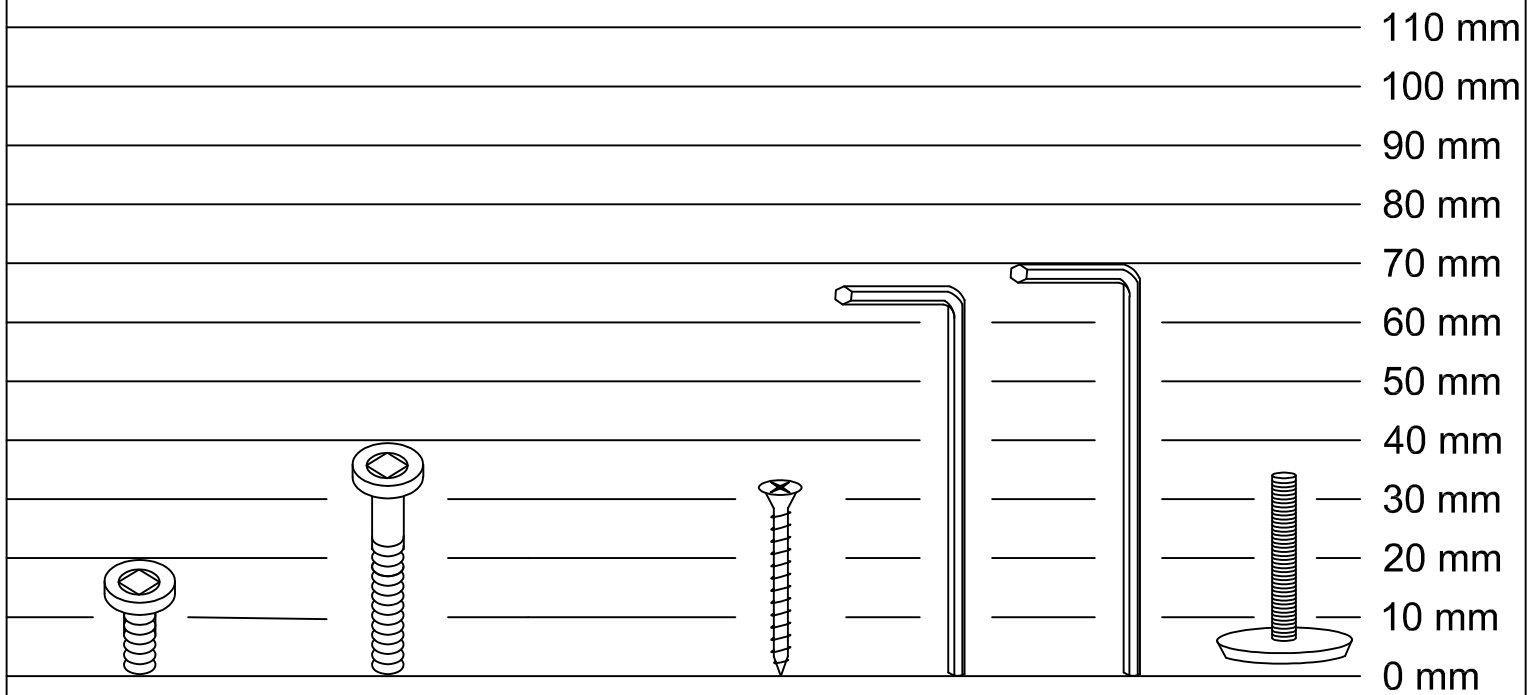
CARTON 1 : Parts 1,2,4,6
CARTON 2 : Parts 3,5

NO. PART QTY

1	HEADBOARD	1
2	FOOTBOARD	1
3	SIDE RAIL	2
4	SLAT (15PCS)	1
5	CENTRE RAIL	1
6	SUPPORT LEG	2



HARDWARE LIST



8x
M8x20
A
Bolt

5x
M6x40
B
Bolt

30x
M4x32
C
Screw

1x
M4
D
Allen
key
65

1x
M5
E
Allen
key
70

2x
35mm
F
Adjuster

Top Tips before you start!

1. Please check that all parts are present before you start the assembly of your furniture, as once assembled, the furniture is exempt from our home approval policy.
2. For ease and speed of assembly, we recommend that before you commence each step of the assembly, you identify all the parts required for that step.
3. For larger items, please ensure that you have sufficient space and people (as indicated on page 1) to assemble your product safely.
4. We recommend that, where possible, all items are assembled near to the area in which they will be placed in use, to avoid moving the product unnecessarily once assembled.
5. For the protection of your furniture, particularly items of high gloss finish, we recommend that the product placed on a protected surface during assembly to prevent any damage.
6. During assembly please take care not to over-tighten any fittings, as this may damage the product.

Care and Maintenance of your Furniture

- Please periodically check all fittings and re-tighten as necessary.
- To clean your item, please use a damp cloth and wipe clean.
- Please do not jump on your furniture.
Never allow any kind of liquid to remain on your furniture, Absorption can cause finishes to de-laminate.
- Periodically check the condition of your bed slats to ensure they are in good condition.
- This is very important when moving your bed. It is best to lift the bed, and never to drag it.
- Please kindly take account of your floor covering when assembling a new bed! If the floor offers little resistance (such as wood or laminate) then it is recommended that rug or similar be placed under each leg.

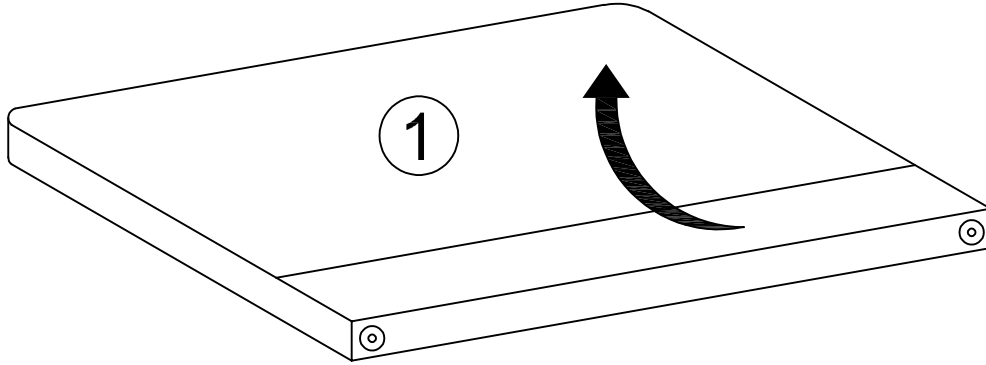
CARE INSTRUCTIONS FOR VELVET FABRIC

- If liquid has spilled onto the velvet, soak it up with a paper towel or cloth. Make sure there is no food or debris left on the material. Combine a small amount of dish soap and water in bucket, mixing it until it becomes soapy. Soak the cloth in the soapy water and apply it gently to the stain. Use the soapy cloth to blot the stain until it disappears. It is important for the velvet fabric to dry quickly. Use a hair dryer on a luke warm setting to accelerate the drying process.
- Carefully apply the upholstery cleaner to velvet with soft sponge, leaving the velvet's pile undisturbed. After it is clean, be sure to vacuum and brush the velvet follow the grain always.
- A steam cleaner is perfect for removing stains, dirt and debris and disinfecting the velvet fabric without leaving any damage.
- If you have concerns regarding liquid/stain removal on your product, please consult a professional cleaning company.

Product Information

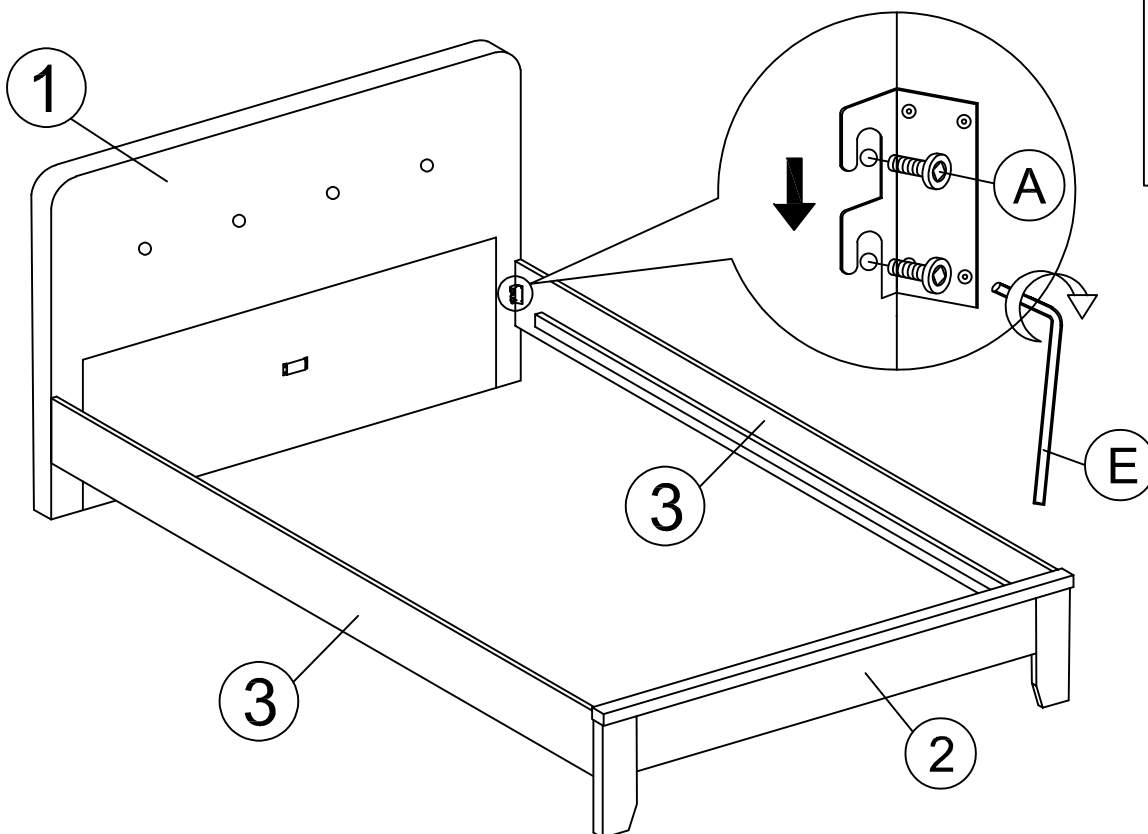
- Storage Bed
- Upholstered Bed Conforms to BS EN 1725 & BS 5852



Step 1



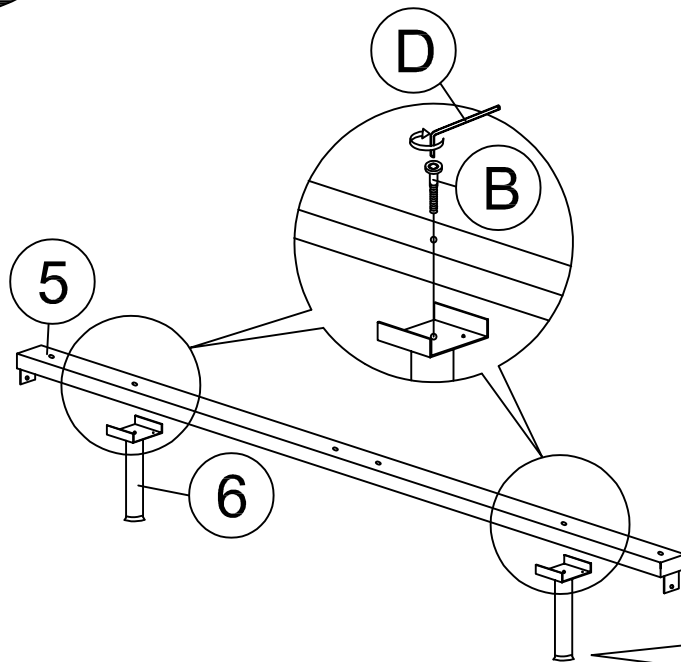
'Stand headboard on its feet and ensure the feature side is attached to the bed base'

Step 2



	
8x M8x20	1x M5x70
A Bolt	E Allen key

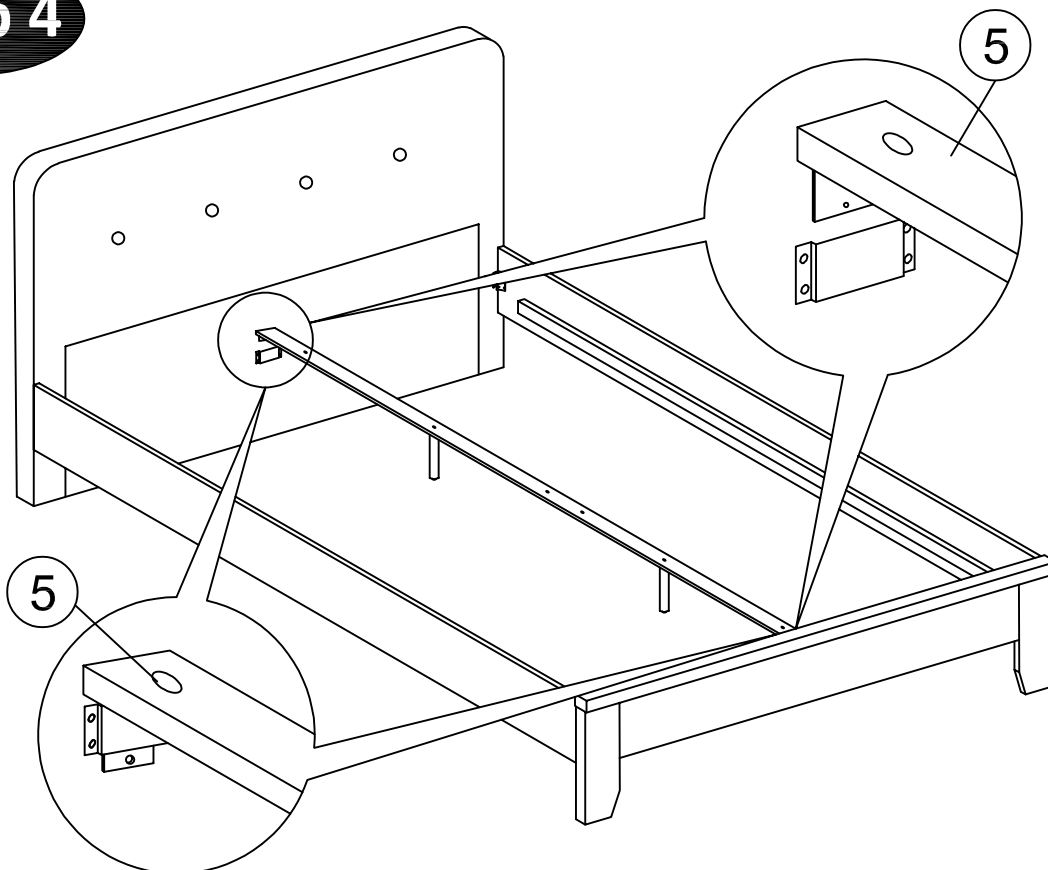
Step 3



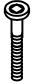



2x M6x40 B Bolt	1x M4x65 D Allen key	2x 35mm F Adjuster

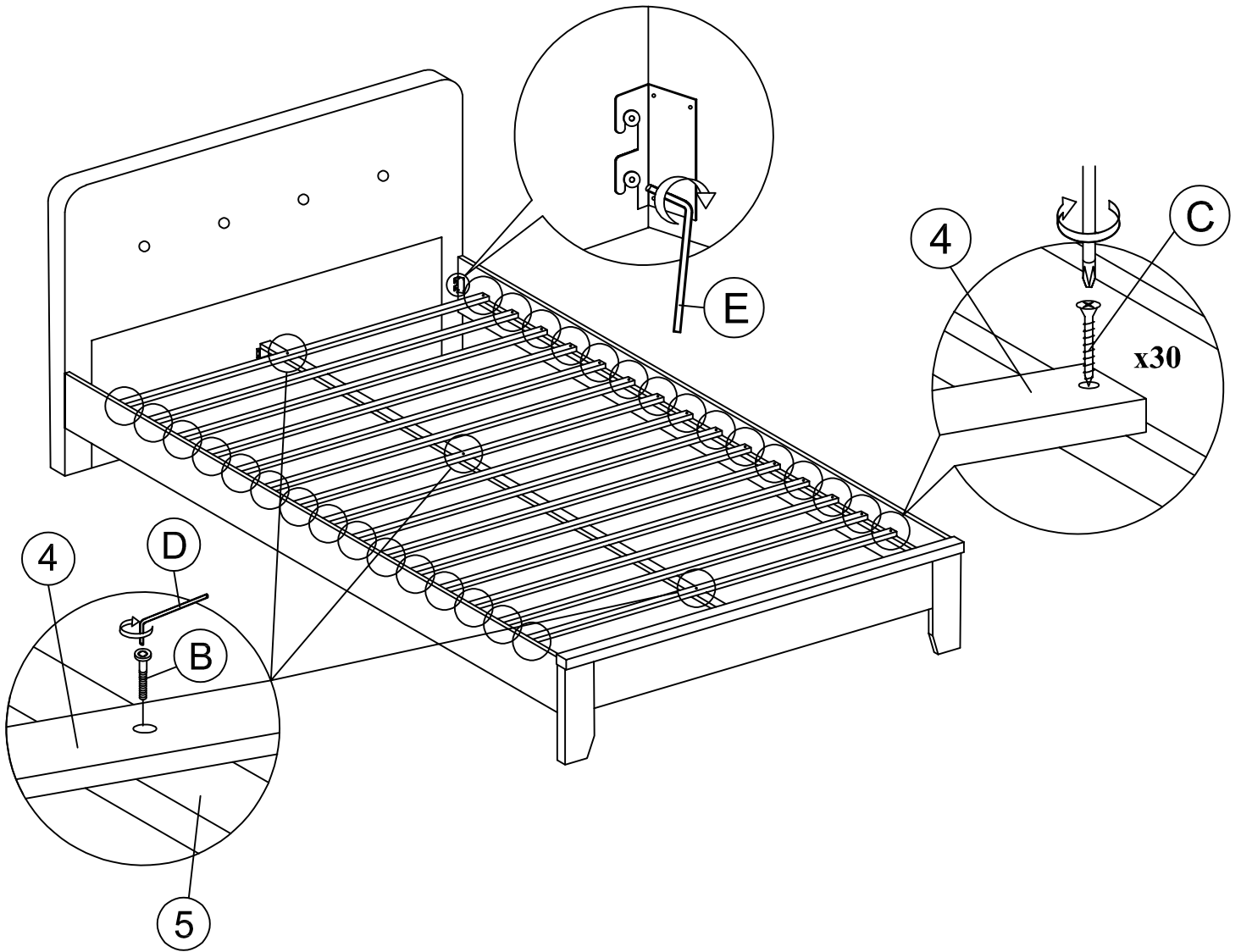
ATTENTION:
Please keep the adjuster around 5 to 8 mm
distance away from the floor.

Step 4



Step 5

			
3x M6x40 B Bolt	30x M4x32 C Screw	1x M4x65 D Allen key	1x M5x70 E Allen key



Please dispose of all packaging safely.

General Care & Maintenance

Wipe clean with a slightly damp cloth.
Avoid the use of all household cleaners and abrasives.

Periodically check all screw & fixings to ensure they are secure.

When moving your product, carefully lift into place. Never drag or push the product across the floor as this will cause damage to the joints. If the product is used on hard flooring, such as wood or laminated floor, you must place some protection under the legs to stop the product from moving. If this is not adhered to, it could result in failure to the product that will invalidate the warranty.

For more information on cleaning and product care visit:
<https://www.happybeds.co.uk/help-and-advice>

Notes

In the unlikely event that you have problems putting this product together or have damaged or missing parts, please contact us by visiting:
<https://www.happybeds.co.uk/customer-service>