

## **Assembly Instructions**

### **Important before assembly:**

Read these instructions carefully before assembling or using the product.

Please check the contents of the boxes before attempting to assemble this product. The instructions will have a checklist of parts and fittings.

Assemble the product as close to its intended final location/room as possible.

### **Health & Safety:**

This product or some parts of this product will be heavy. Please use an assistant when lifting.

Please keep small parts out of reach of children.

Always use on a level, even surface.

DO NOT jump on the product or any of its parts.

DO NOT use this product if any parts are missing, damaged or worn.

DO NOT use this product unless all fixings are secured.

**Further instructions are on the following pages.**

Please keep these instructions for future reference.



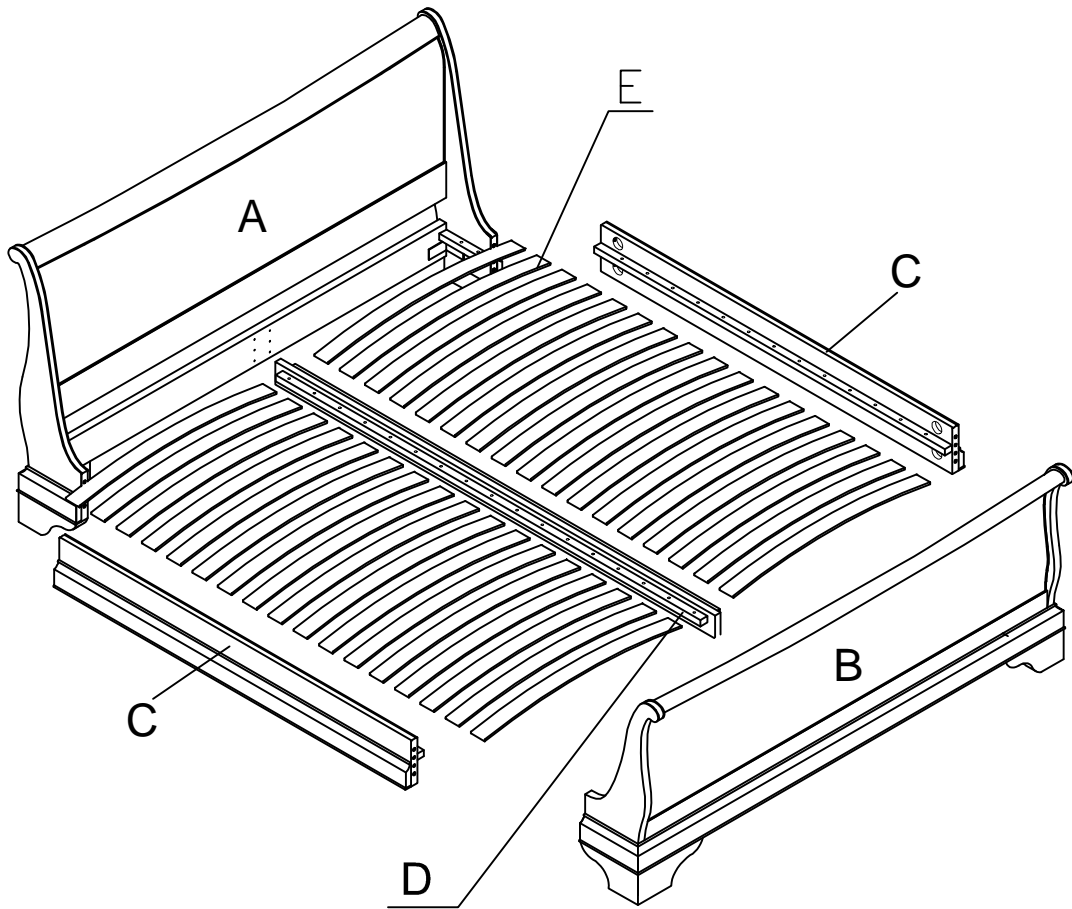
This product or some parts of this product will be heavy. Please use an assistant when lifting.




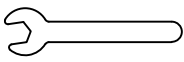



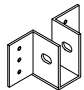
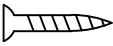

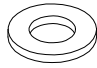

Never drag or push the pieces across a hard or stone floor as this will cause damage to the joints. Use a carpet or a rug for extra care.



If you have problems assembling or have damaged or missing pieces, please contact our customer services (details at the back of these instructions)



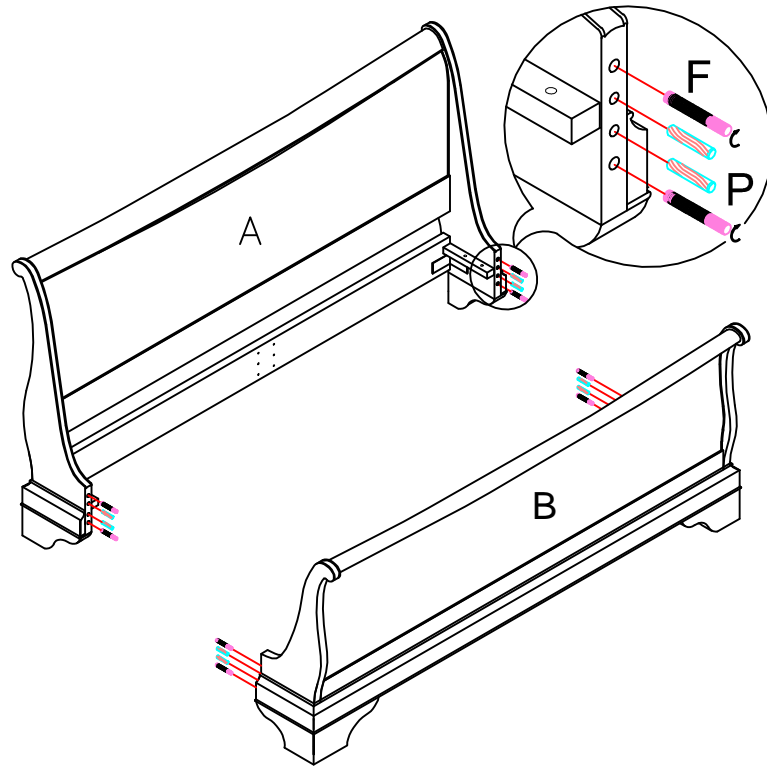
### Panel and Fittings Identification

Item	Description	Qty.	Item	Description	Qty.	Item	Description	Qty.
A	Headboard	1	B	Footboard	1	C	Side Rail	2
D	Centre Rail	1	E	Slat 135cm 150cm/180cm	32 34	F	90mm Thread 	8
G	12mm Spanner 	2	H	Flat Washer 	8	I	Spring Washer 	8
J	Nut 	10	K	Slats cap 135cm 150cm/180cm	64 68	L	Bracket 	2
M	Screw 	12	N	Bolt 	2	O	Flat Washer 	2
P	Dowel 	8						


**Step ①** -Insert four wooden dowels (P) into the headboard (A) and footboard (B). This will assist in the alignment of the side rail. Screw the eight threads (F) into the headboard (A) and footboard (B) and tighten by hand. Ensuring that there is enough thread remaining for attachment in Step 2.

 P x 8

 F x 8



**Step ②** -Locate the side rails (C) onto the dowels (P) and threads (F) protruding from the headboard (A) and footboard (B). Locate the washer (H & I) and nut (J) onto the threads (F) and secure by hand at first. Tighten using the open ended spanner (G) (provided).

 H x 8

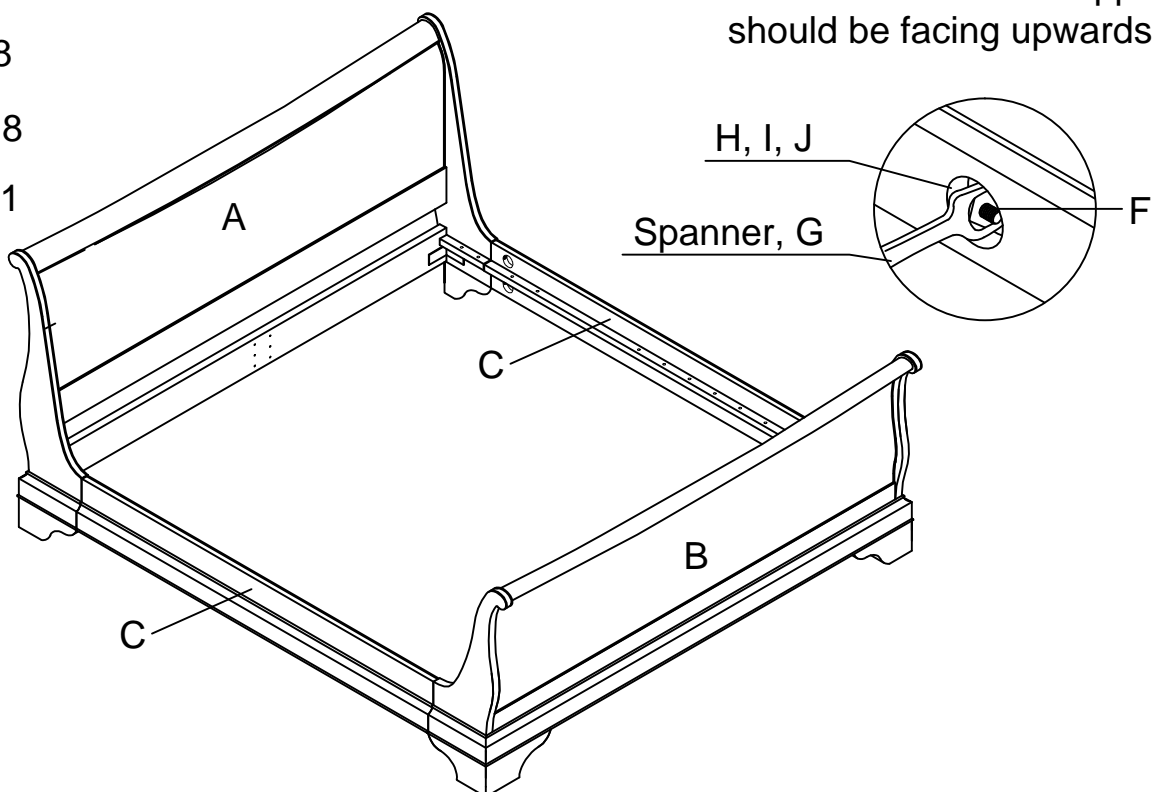
 I x 8

 J x 8

 G x 1

**Please note:**

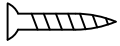
The hole in the slat support rail should be facing upwards.



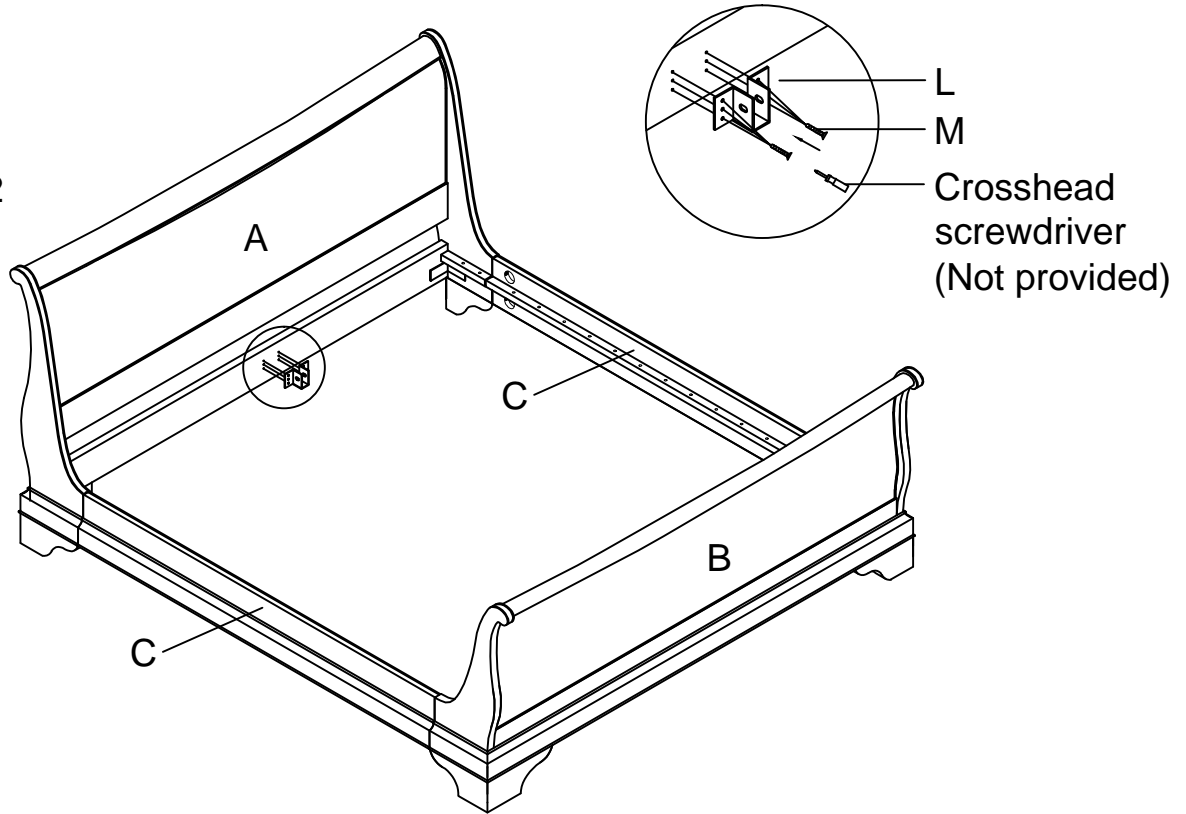
**Step ③** -Attach the brackets (L) to the headboard and footboard using the screws (M) inserted into the pre-drilled pilot holes. Tighten using a cross head screwdriver (Not provided).



L x 2



M x 12



**Step ④** -Locate the centre rail (D) into the brackets. Secure using the remaining nuts (J), flat washers (O) and bolts (N). Tighten using two spanners (G).



N x 2



O x 2



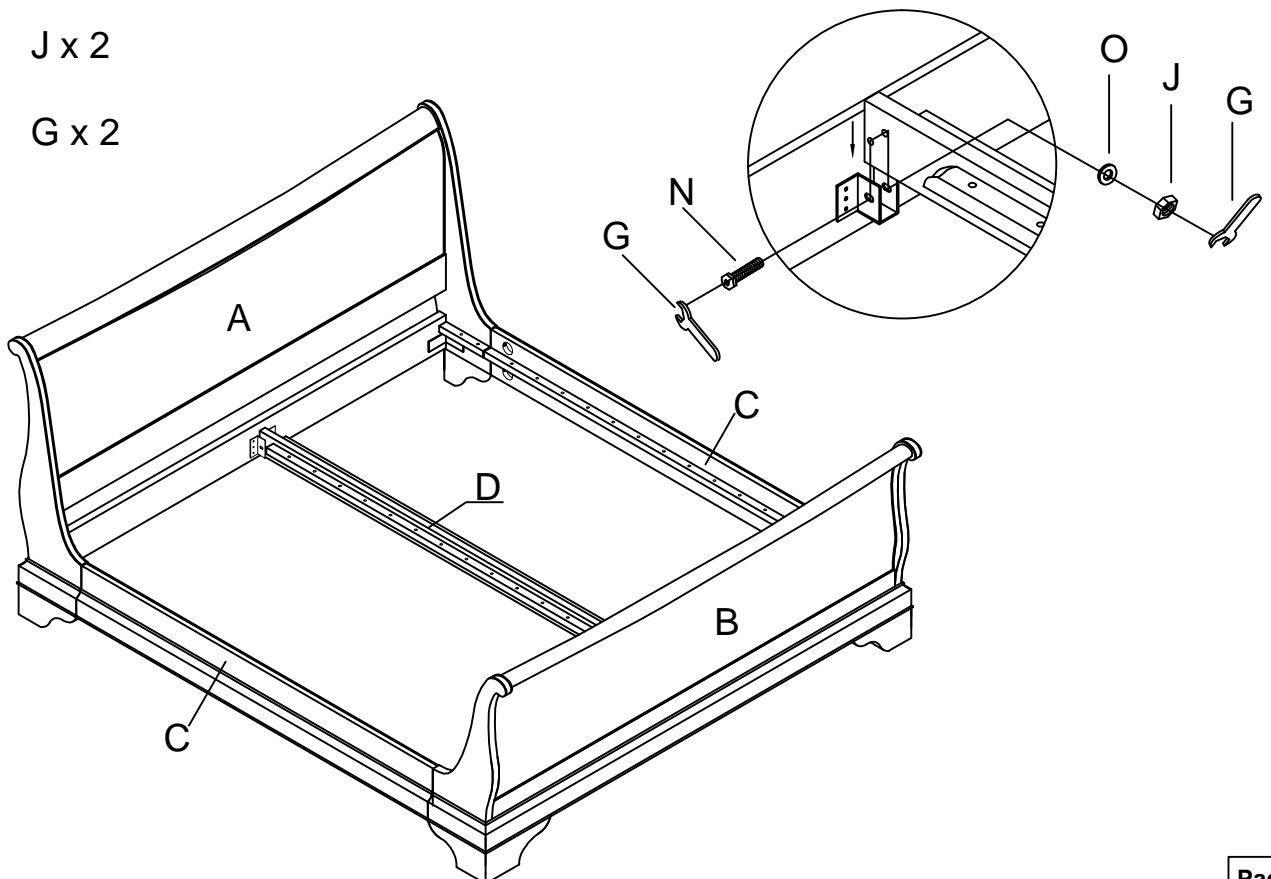
J x 2



G x 2

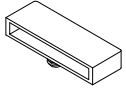
**Please note.**

The holes in the centre rail should be facing upwards.

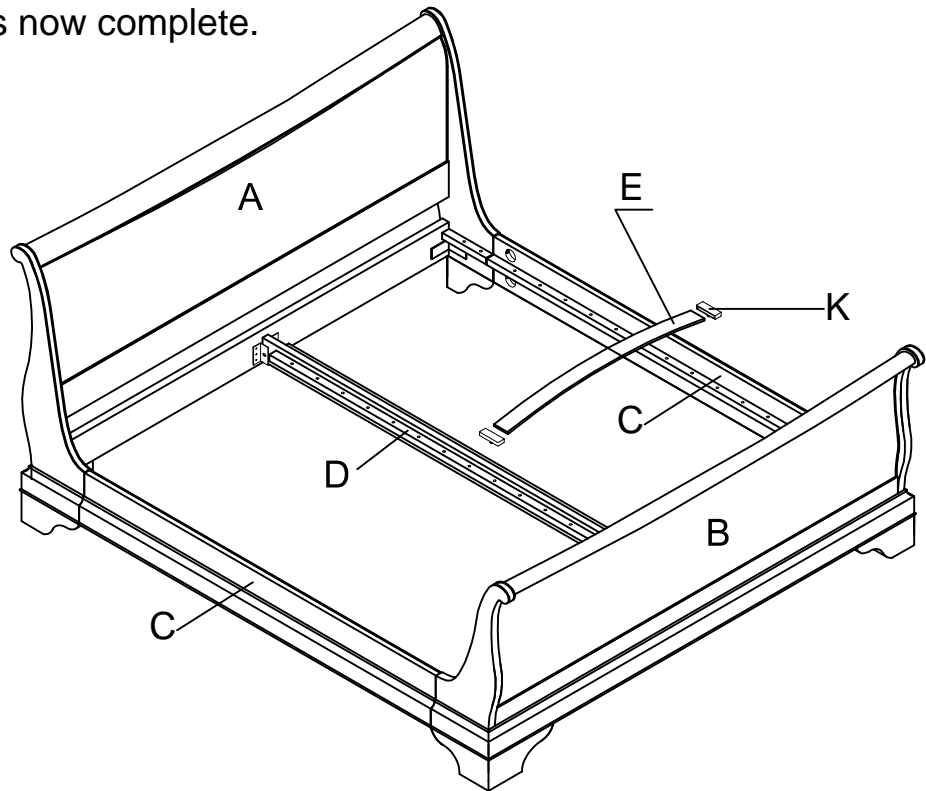


**Step ⑤** -Push fit two plastic caps (K) onto either end of each slat (E). Push fit the slat (E) into the pre-drilled pilot holes. Please note that the slat may need to be pushed flat to ease installation. It may also require a light tap with a soft hammer to secure the plastic end caps into the holes. Repeat this step with the other slats (E).

The assembly is now complete.



135cm x 64  
150cm/180cm x 68



Please dispose of all packaging safely.

## General Care & Maintenance

Wipe clean with a slightly damp cloth.  
Avoid the use of all household cleaners and abrasives.

Periodically check all screw & fixings to ensure they are secure.

When moving your product, carefully lift into place. Never drag or push the product across the floor as this will cause damage to the joints. If the product is used on hard flooring, such as wood or laminated floor, you must place some protection under the legs to stop the product from moving. If this is not adhered to, it could result in failure to the product that will invalidate the warranty.

For more information on cleaning and product care visit:  
<https://www.happybeds.co.uk/help-and-advice>

## Notes

In the unlikely event that you have problems putting this product together or have damaged or missing parts, please contact us by visiting:  
<https://www.happybeds.co.uk/customer-service>