



Assembly Instructions

Important before assembly:

Read these instructions carefully before assembling or using the product.

Please check the contents of the boxes before attempting to assemble this product. The instructions will have a checklist of parts and fittings.

Assemble the product as close to its intended final location/room as possible.

Health & Safety:

This product or some parts of this product will be heavy. Please use an assistant when lifting.

Please keep small parts out of reach of children.

Always use on a level, even surface.

DO NOT jump on the product or any of its parts.

DO NOT use this product if any parts are missing, damaged or worn.

DO NOT use this product unless all fixings are secured.

Further instructions are on the following pages.

Please keep these instructions for future reference.



This product or some parts of this product will be heavy. Please use an assistant when lifting.



Never drag or push the pieces across a hard or stone floor as this will cause damage to the joints. Use a carpet or a rug for extra care.



If you have problems assembling or have damaged or missing pieces, please contact our customer services (details at the back of these instructions)



Important for Ottoman and other gas lift beds

Note:

The bed base is in the upright position when first assembled as the gas lifts are fully extended during shipment for safety. After assembly a firm downward push will be required to overcome any resistance in the gas lifts as these may initially stick. We suggest placing a mattress on top of the bed base to aide this and also test the operation of your new lift up bed by lifting and pushing down the bed base a few times to allow the lifting mechanism to bed in.

The lift mechanism provides assistance with the lift of the mattress fitted to the base. It does not lift the mattress for you. The system has been designed to effectively lift the base system fitted with a variety of mattress weights and combinations of depths. Depending on the combination of the mattress weight and depth determines the degree of assistance provided by the mechanism.

Following the installation of the mechanism lift, pull the base up and down a few times to free off the system. The gas cylinders fitted to the system may be stiff when first used or if the system has not been operated for a period of time.

Use the strap handles to lift up the mattress base using two hands. Pull the mattress base down using two hands equally spaced from the centre of the mattress base. DO NOT pull down on one side of the base only as this is likely to damage the base system with potential failure of the mattress base system and lift mechanism.

Do NOT operate the lift up mechanism without the mattress placed on the base.

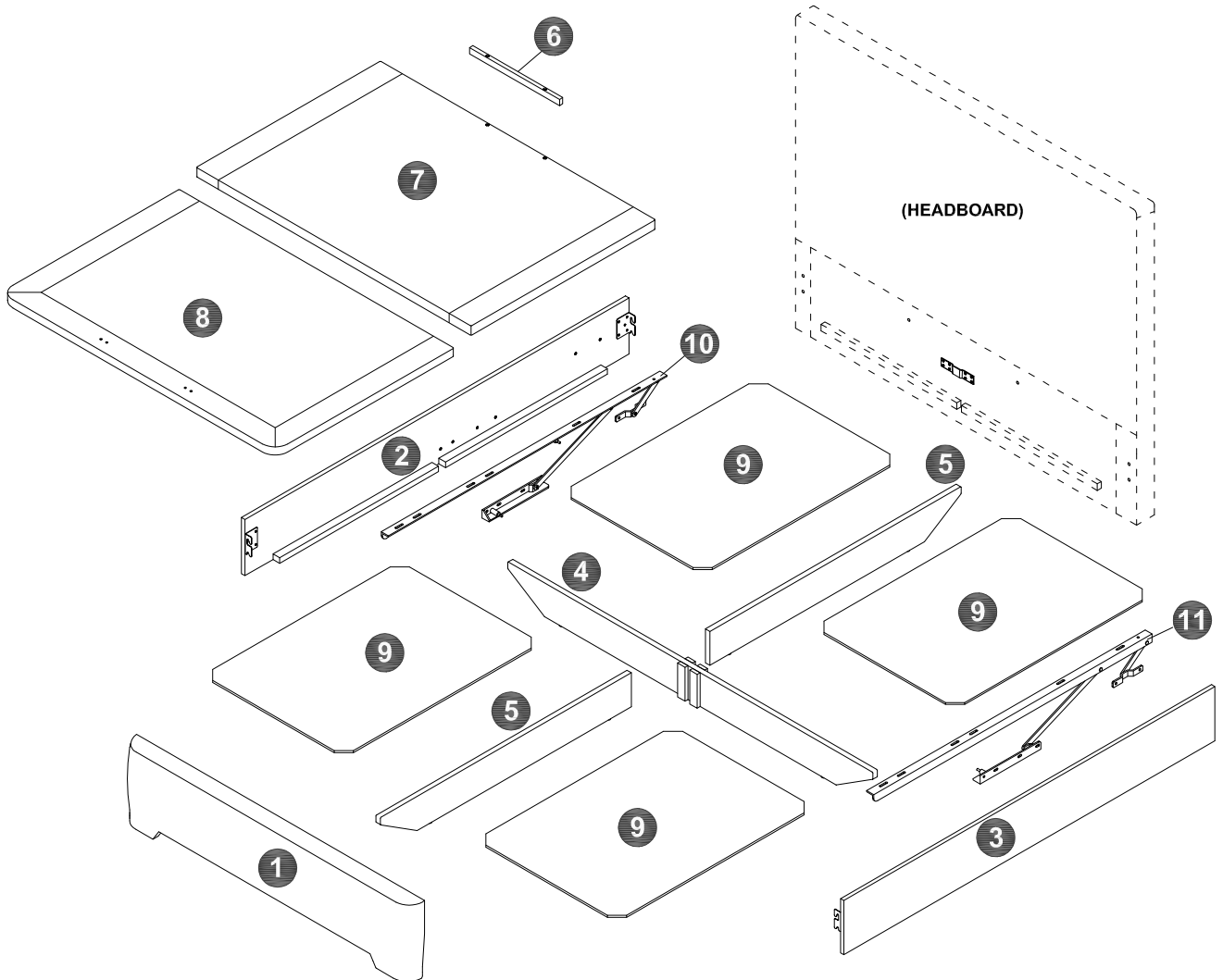
Caution:

Do NOT allow children to operate the lift mechanism.
Do NOT allow children near the lift base when operating the mechanism.
Do NOT allow children in the area of the internal storage base.
Keep hands clear of the mechanism when operating the base system.
Do NOT stand inside the bed or the internal storage base.
Do NOT overload the internal storage base.

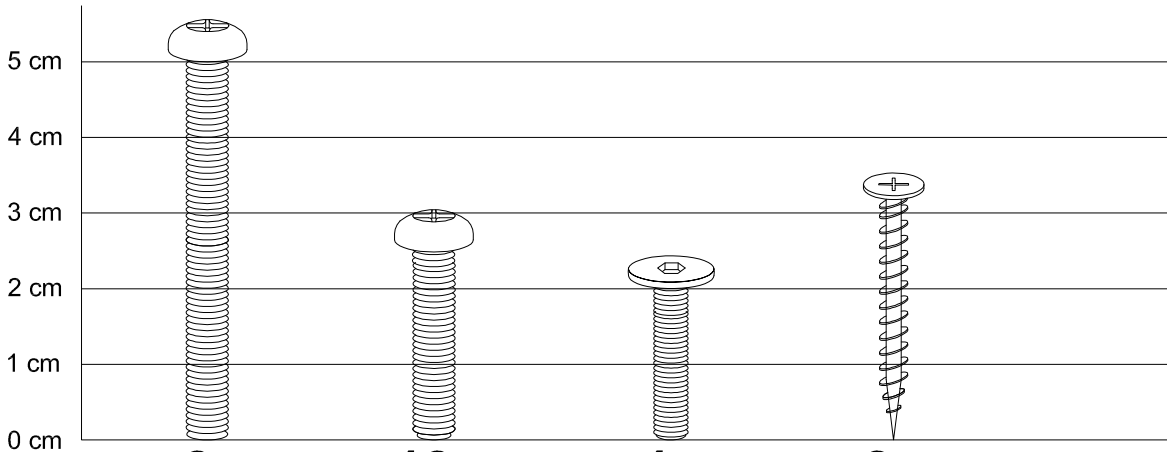
PARTS LIST

NO.	PART LISTS	QTY
1	FOOTBOARD	1
2	SIDE RAIL (L)	1
3	SIDE RAIL (R)	1
4	BOTTOM CROSS RAIL (LONG)	1
5	BOTTOM CROSS RAIL (SHORT)	2
6	MATTRESS SUPPORT RAIL	1
7	FRONT LIFT BASE	1
8	BACK LIFT BASE	1
9	BASE PANEL	4
10	LIFT UP MECHANISM (LEFT)	1
11	LIFT UP MECHANISM (RIGHT)	1

CARTON 1 CONSISTS OF PART : 1
 CARTON 2 CONSISTS OF PART : 2,3,4,5,6, HARDWARE
 CARTON 3 CONSISTS OF PART : 7,8
 CARTON 4 CONSISTS OF PART : 9
 CARTON 5 CONSISTS OF PART : 10,11



HARDWARE LIST

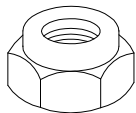


2x
M8 X 50mm
A
BOLT

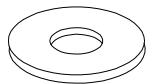
12x
M8 X 25mm
B
BOLT

4x
M6 X 20mm
C
BOLT

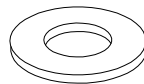
8x
#8 X 32mm
D
SCREW



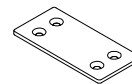
4x
M8 X 13mm
E
LOCK NUT



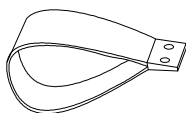
4x
M6 X 16mm
F
FLAT
WASHER



14x
M8 X 18mm
G
FLAT
WASHER



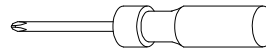
2x
86 X 40mm
H
METAL
PLATE



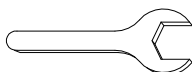
2x
I
STRAP
HANDLE



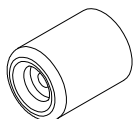
1x
J
ALLEN KEY
(M4)



1x
K
SCREW DRIVER
(4" x 5mm)



1x
M
SPANNER
(13mm)



2x
N
RUBBER
STOPPER
Ø46 X 50mm + SCREW



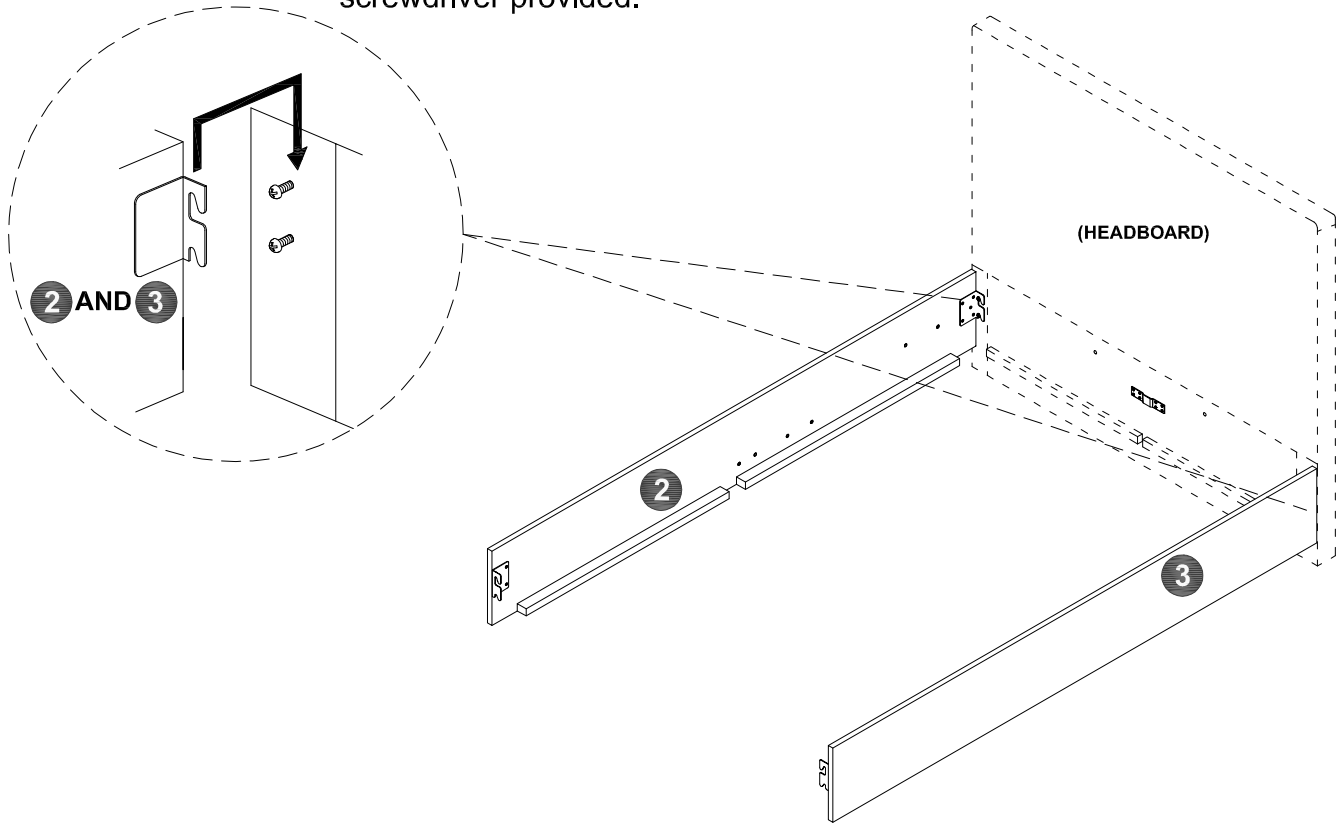
2x
O
STUD BOLT
Ø6 X 40mm



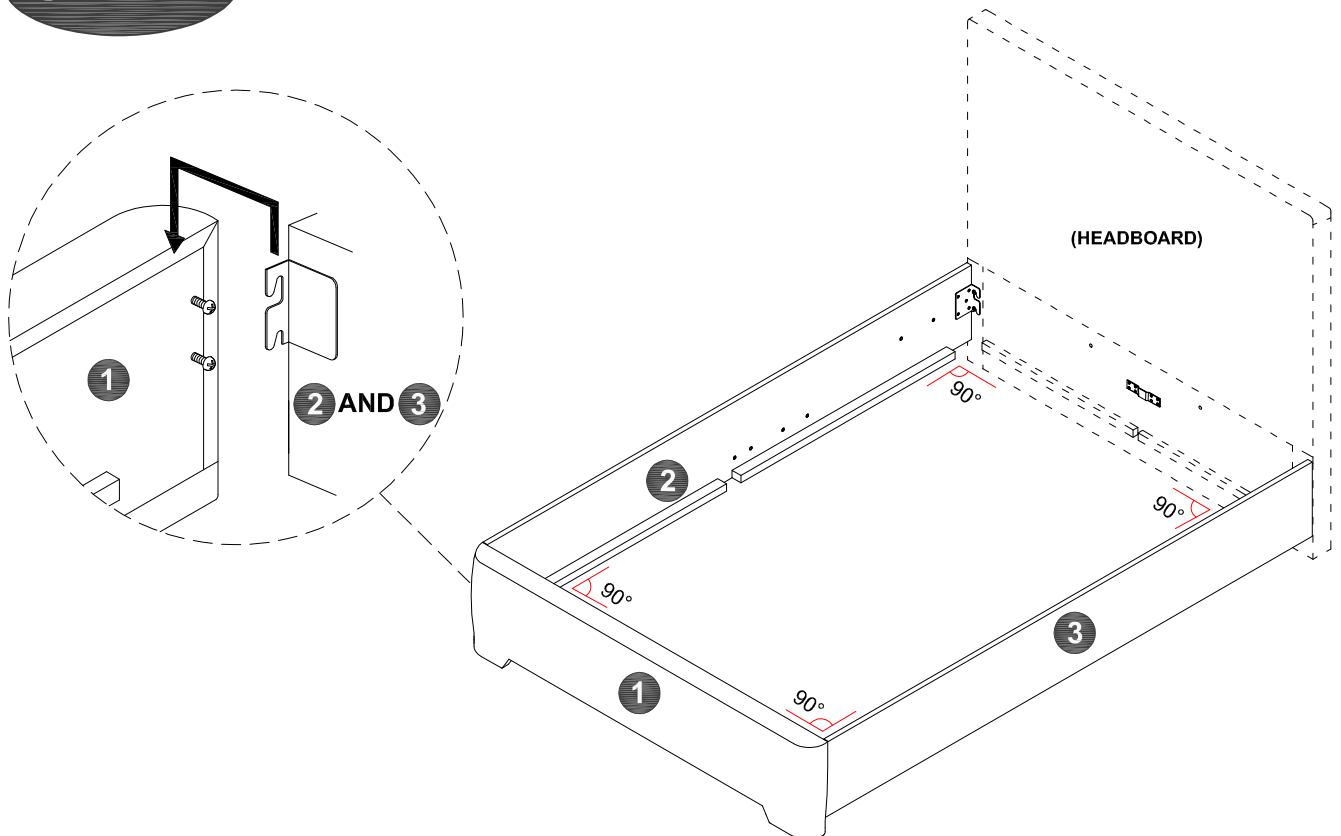
2x
564 x 1100N
(KING)
564 x 1350N
(SUPER KING)
L
GAS SPRING

STEP 1

Hook brackets over bolts and tighten with screwdriver provided.



STEP 2

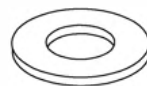


Hook brackets over bolts and tighten with screwdriver provided. Ensure all angles are at 90°

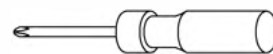
STEP 3



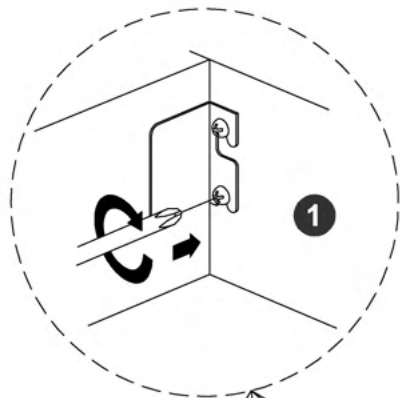
N x 2



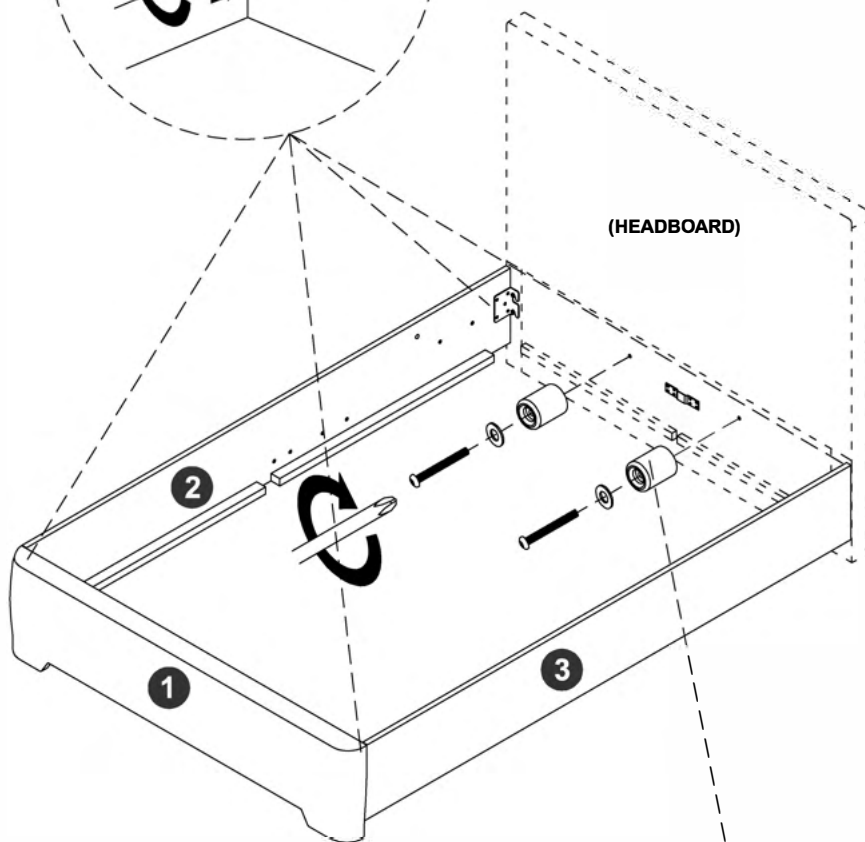
G x 2



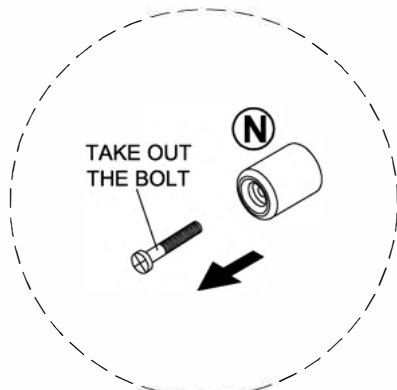
K x 1



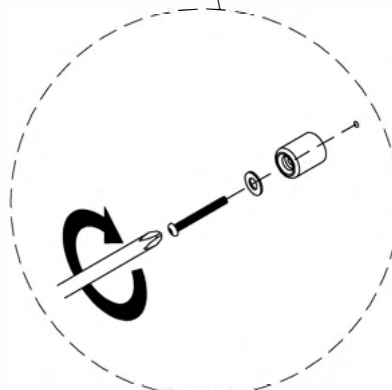
Tighten the bolts to the headend & footend as shown using the screwdriver provided.



Fix the rubber stoppers to the headend as shown using the screwdriver provided.



STEP 1

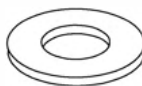


STEP 2

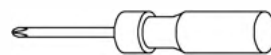
STEP 4



B x 12

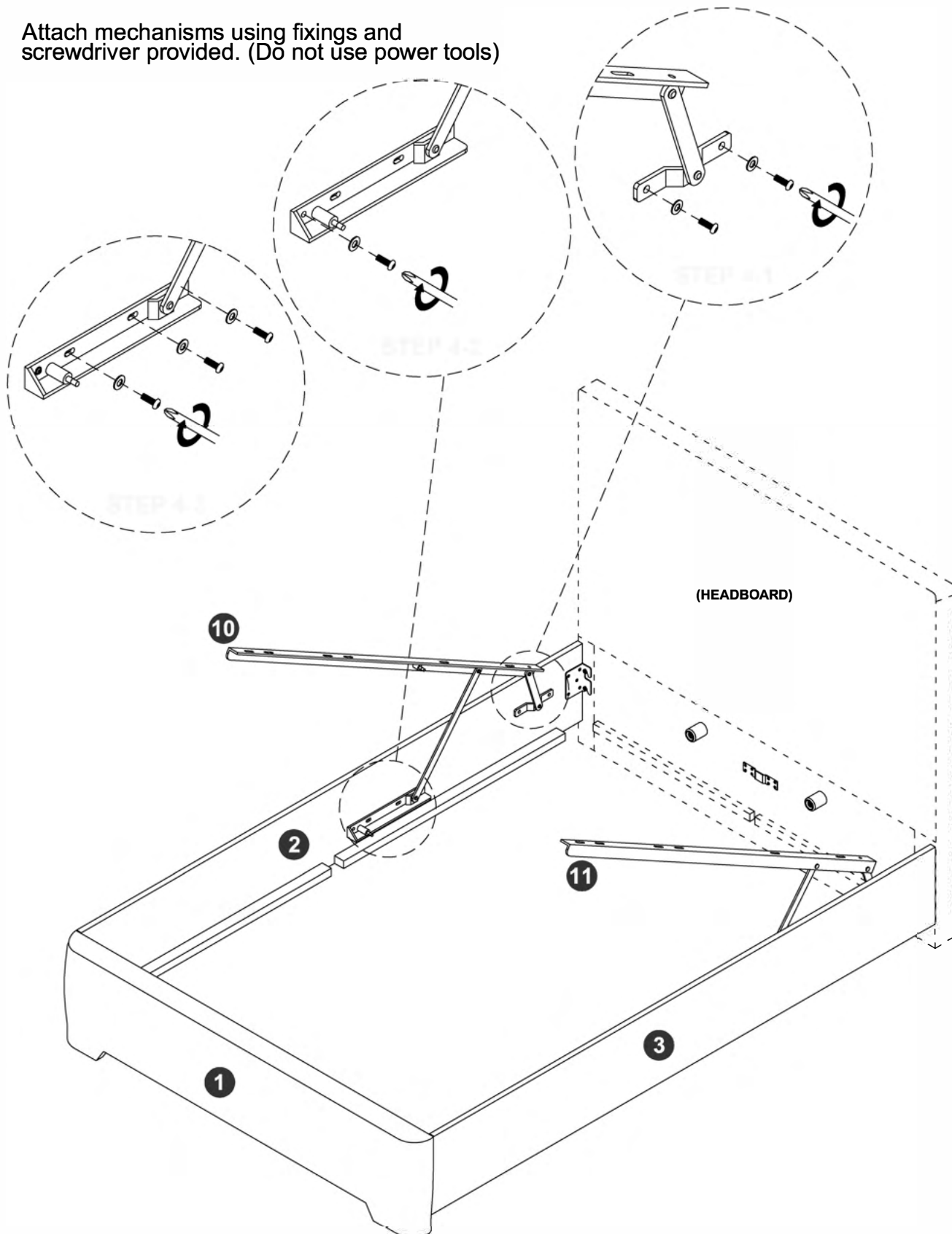


G x 12



K x 1

Attach mechanisms using fixings and screwdriver provided. (Do not use power tools)



STEP 5



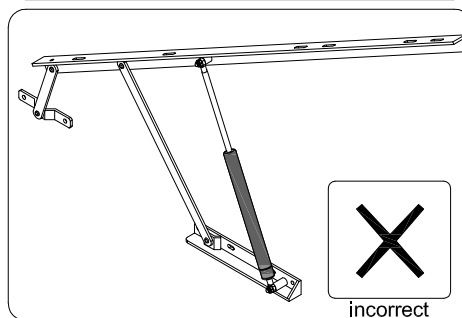
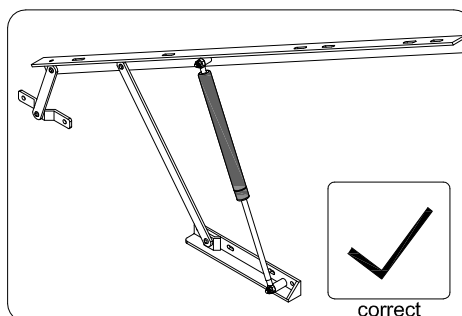
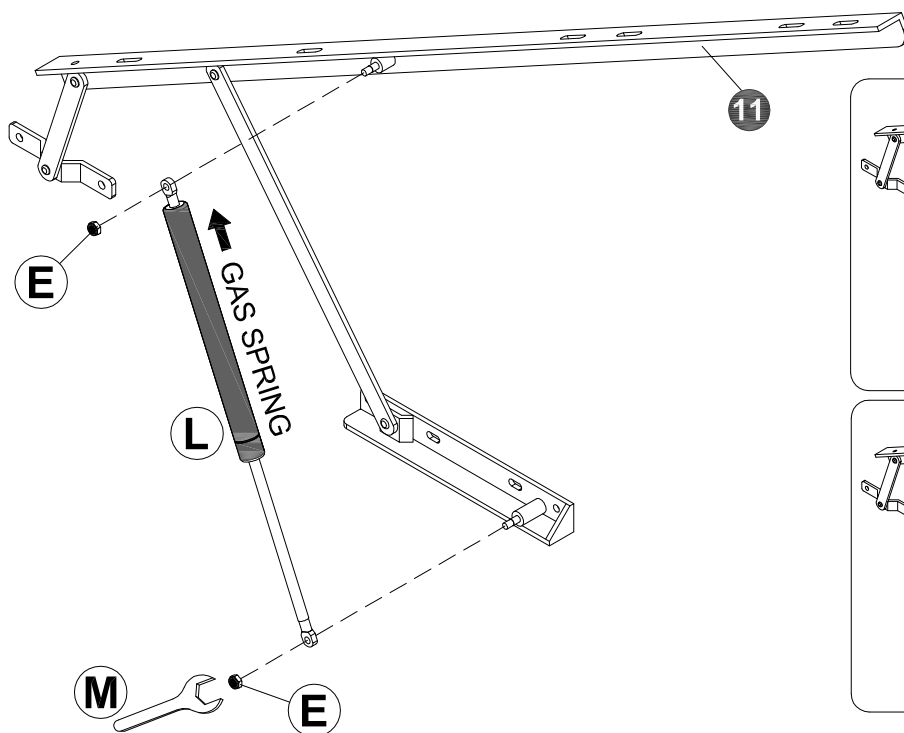
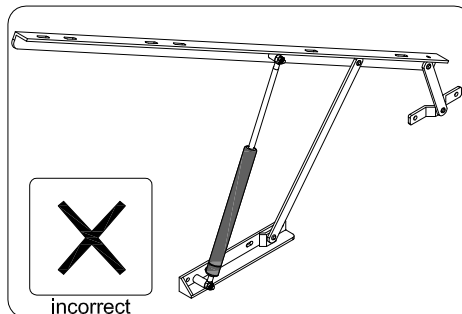
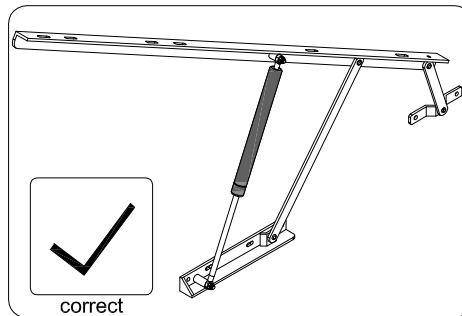
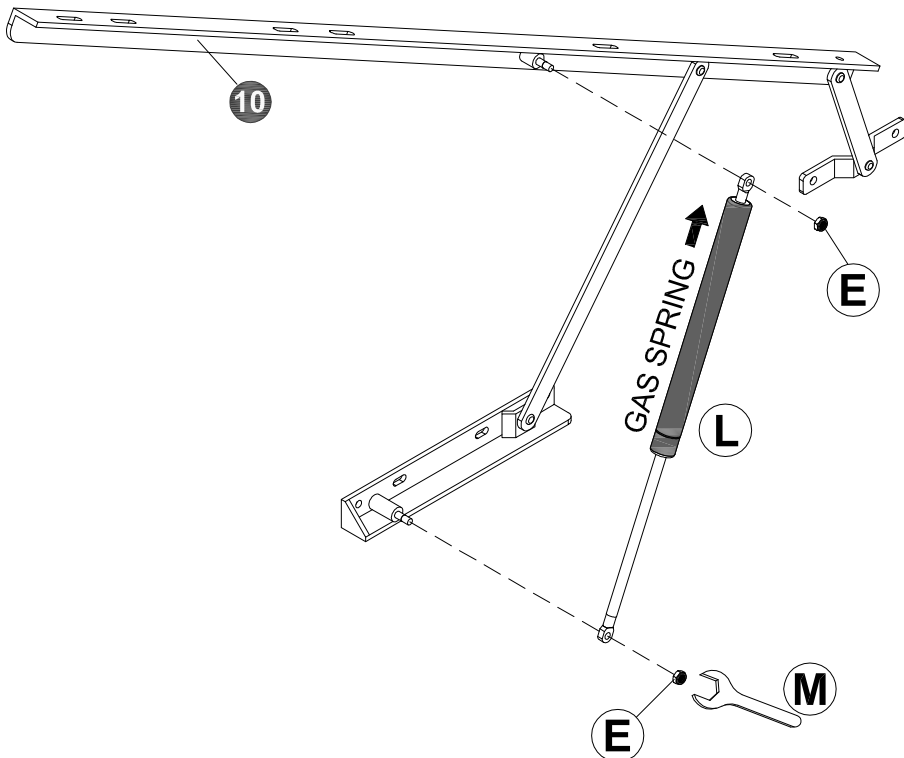
E x 4



L x 2



M x 1



Fully tighten all nuts after attaching the pistons, ensuring they are correctly fitted as per diagram.

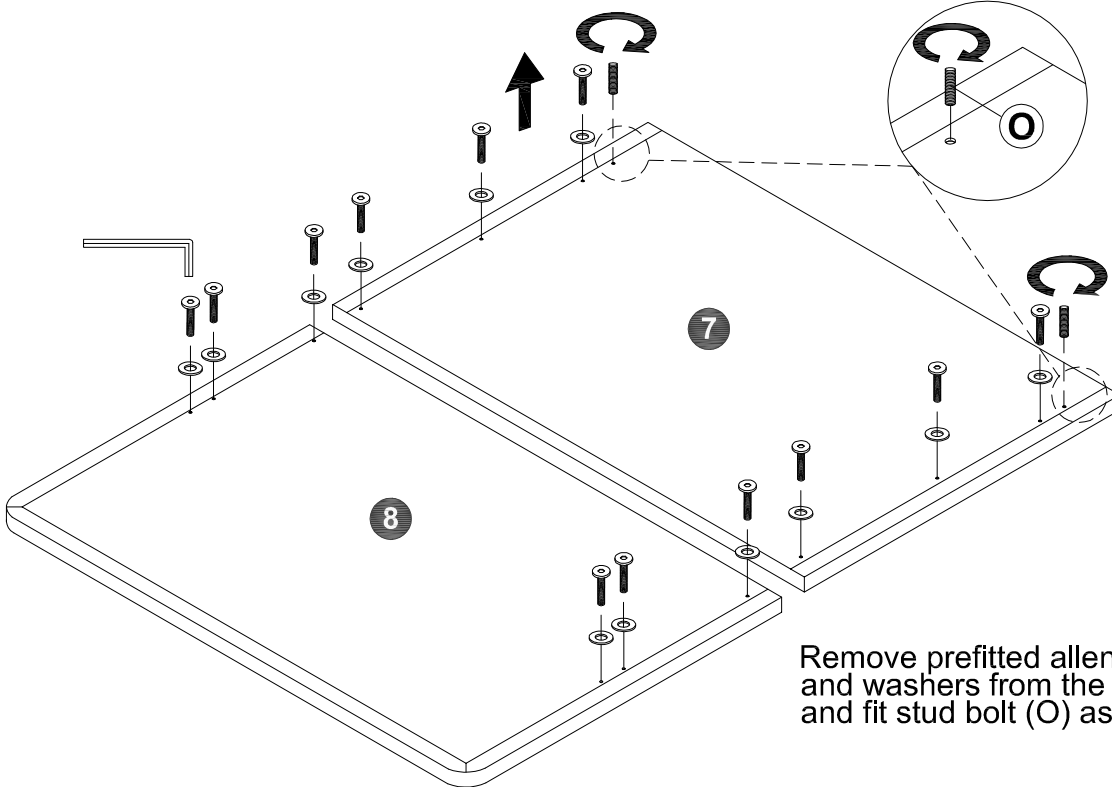
STEP 6



J x 1



O x 2



Remove prefitted allenhead screws and washers from the base boards and fit stud bolt (O) as shown.

STEP 7



A x 2



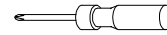
C x 4



F x 4



I x 2

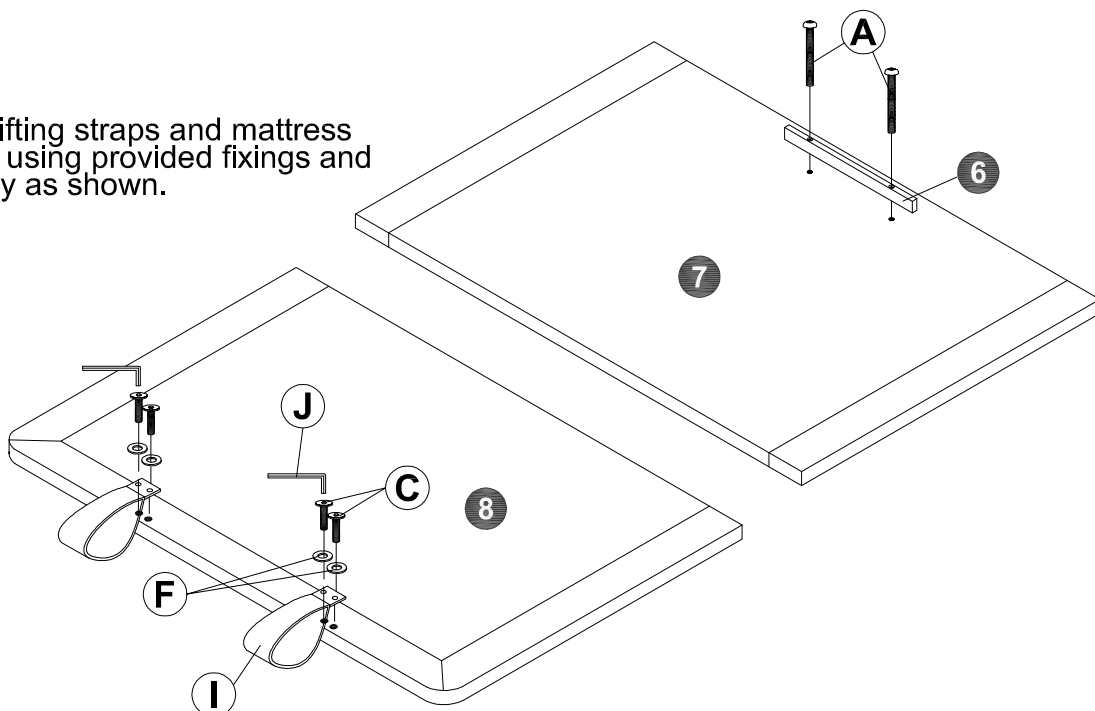


K x 1



J x 1

Attach lifting straps and mattress support using provided fixings and allen key as shown.

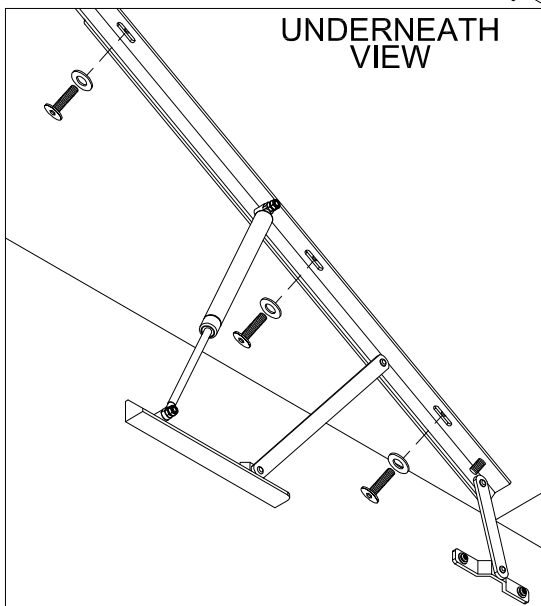
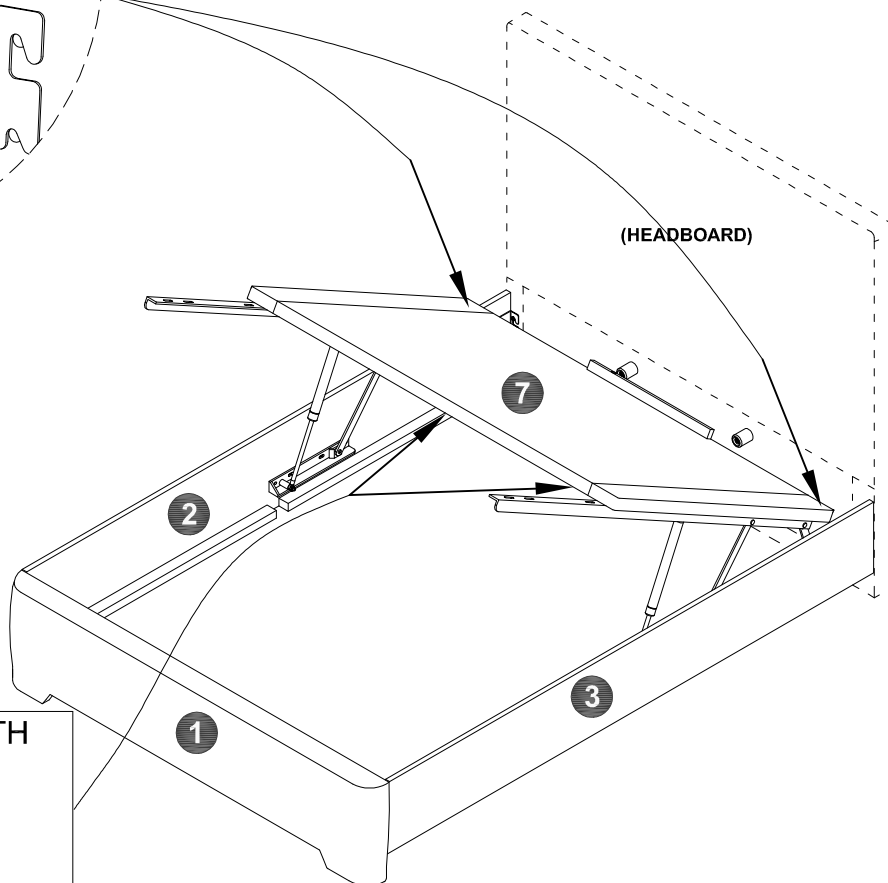
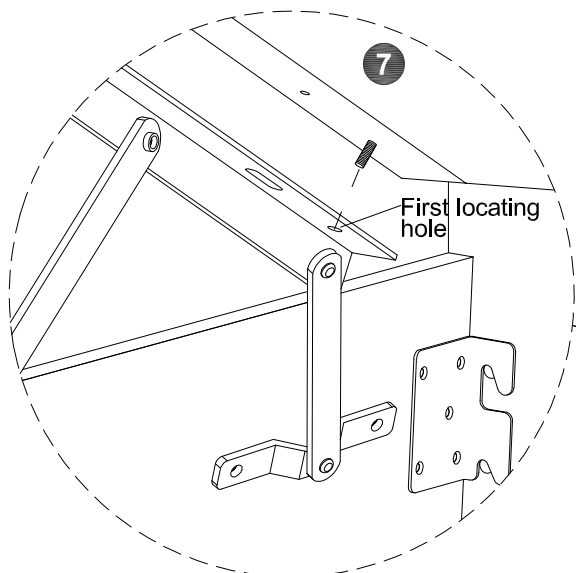


STEP 8

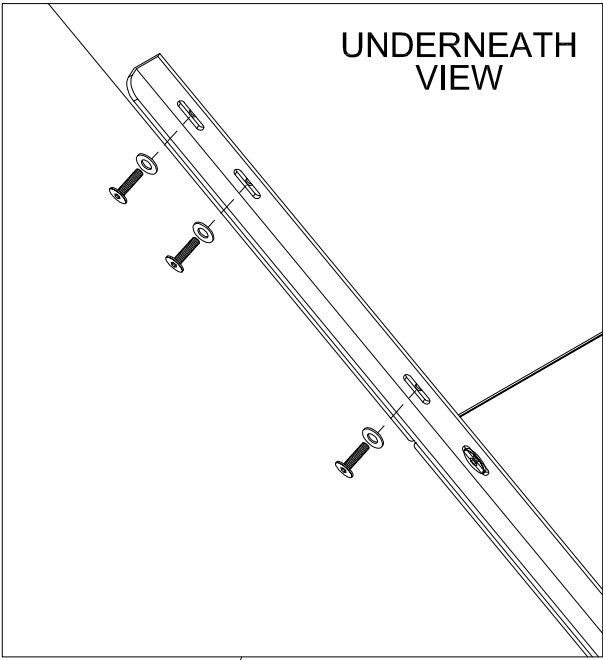
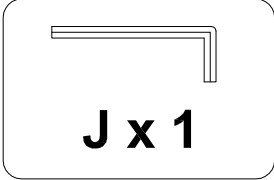


J x 1

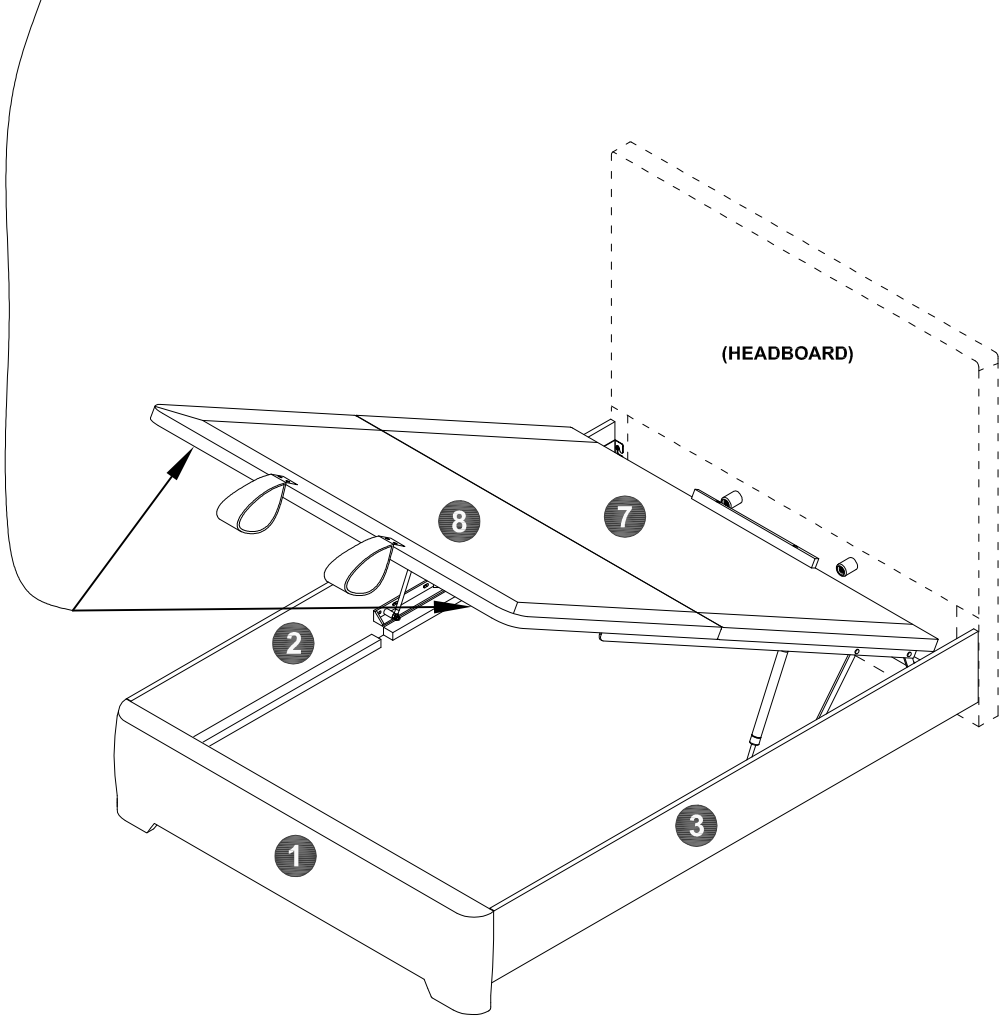
1. First put the base (7) on the top of mechanism (10) & (11) and fix with the pre-installed stud bolt (O) to the first locating hole to prevent the lift base from dropping down.
2. Use Allen head screw and flat washer to fully tighten all others screws as shown.



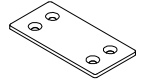
STEP 9



Place lift base (8) on top of mechanisms and attach as per base (7)

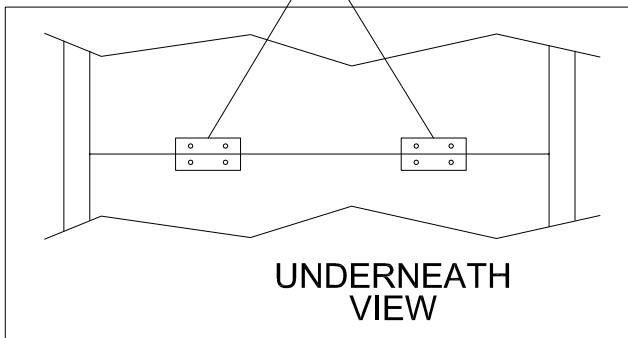
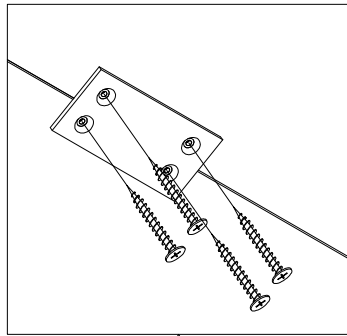


STEP 10

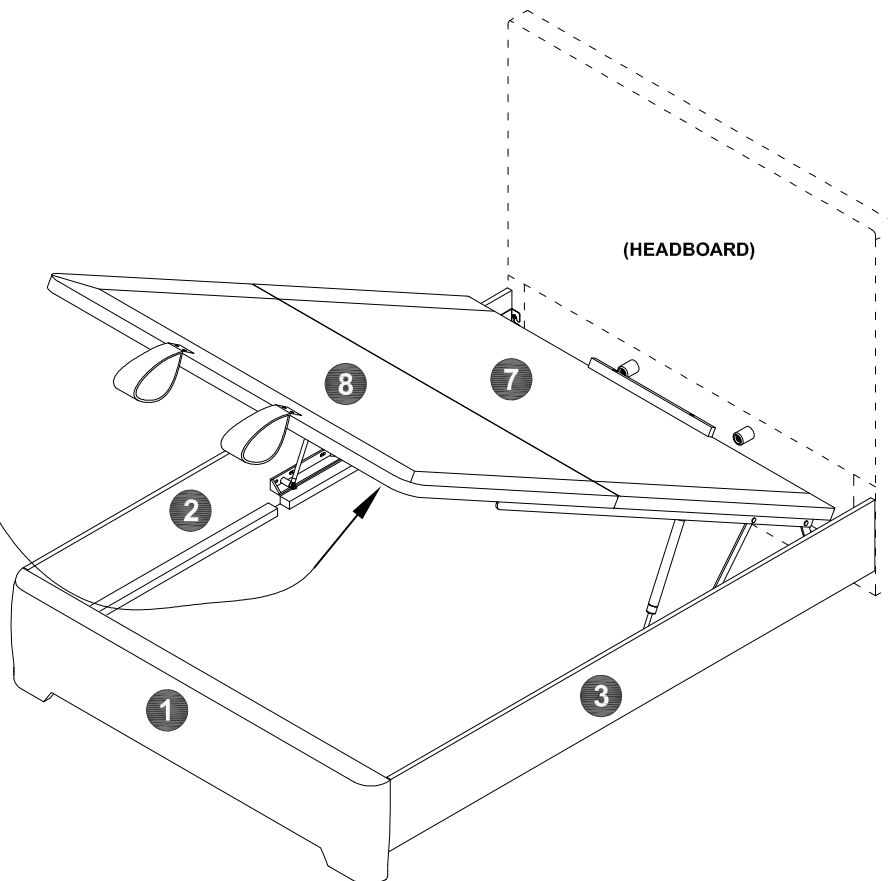


D x 8

H x 2



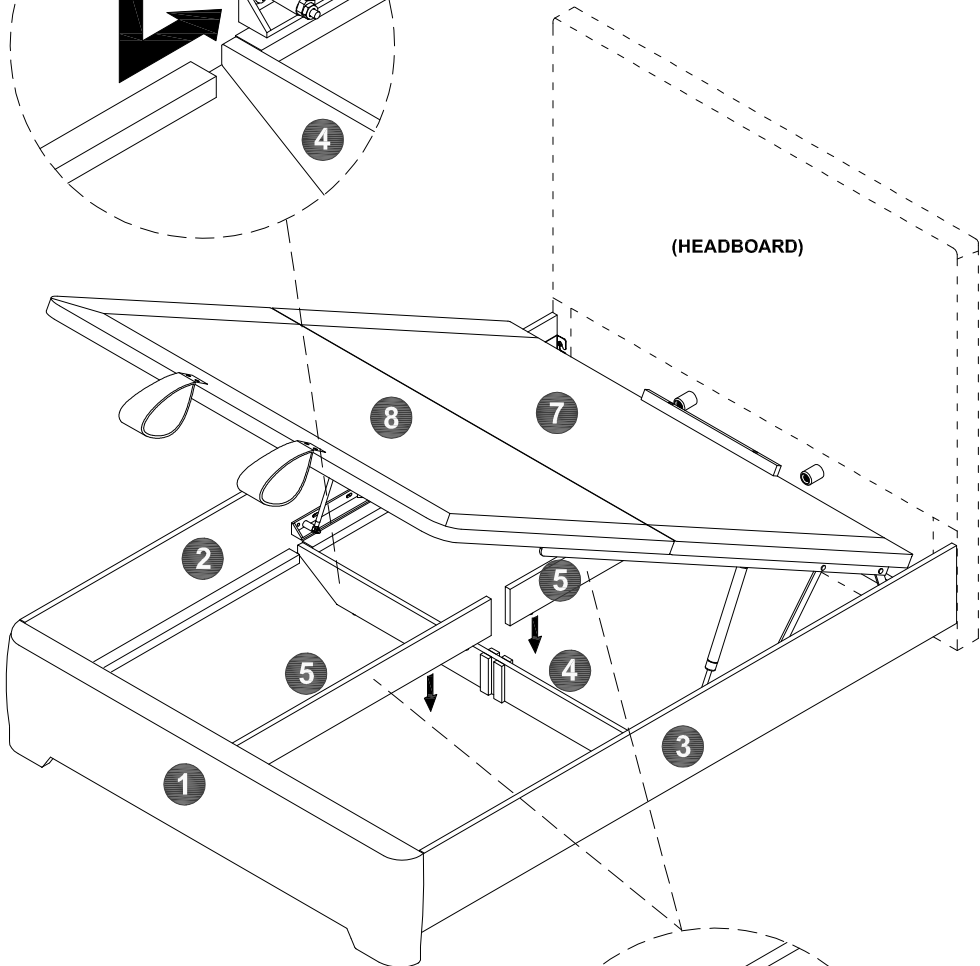
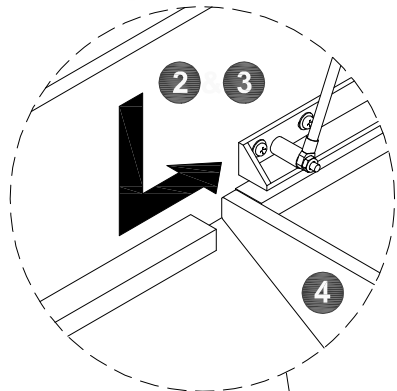
Affix metal plates to the underside of the mattress bases with fixings and screwdriver provided.



STEP 11

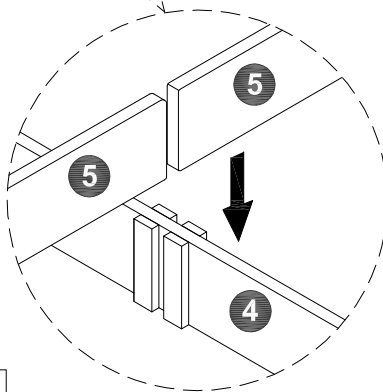
STEP 11-1

Slot together bottom cross rail (short) to bottom cross rail (long). Attach the bottom cross rail (long) to the side rail and the bottom cross rail (short) x 2 pieces to the headboard and footboard.

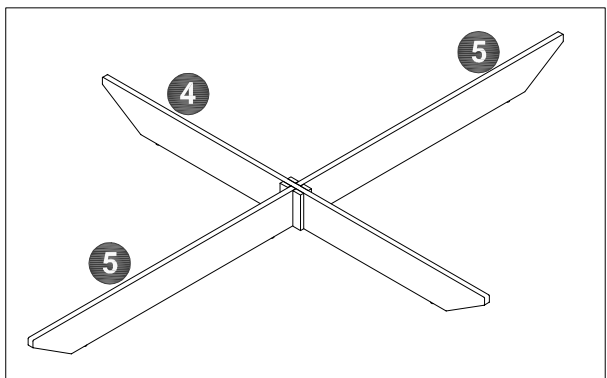
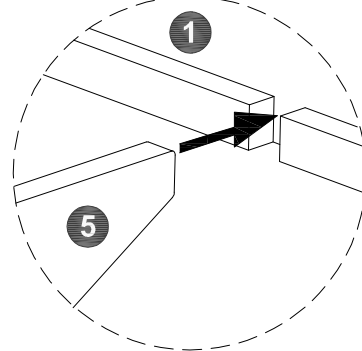


(HEADBOARD)

STEP 11-2

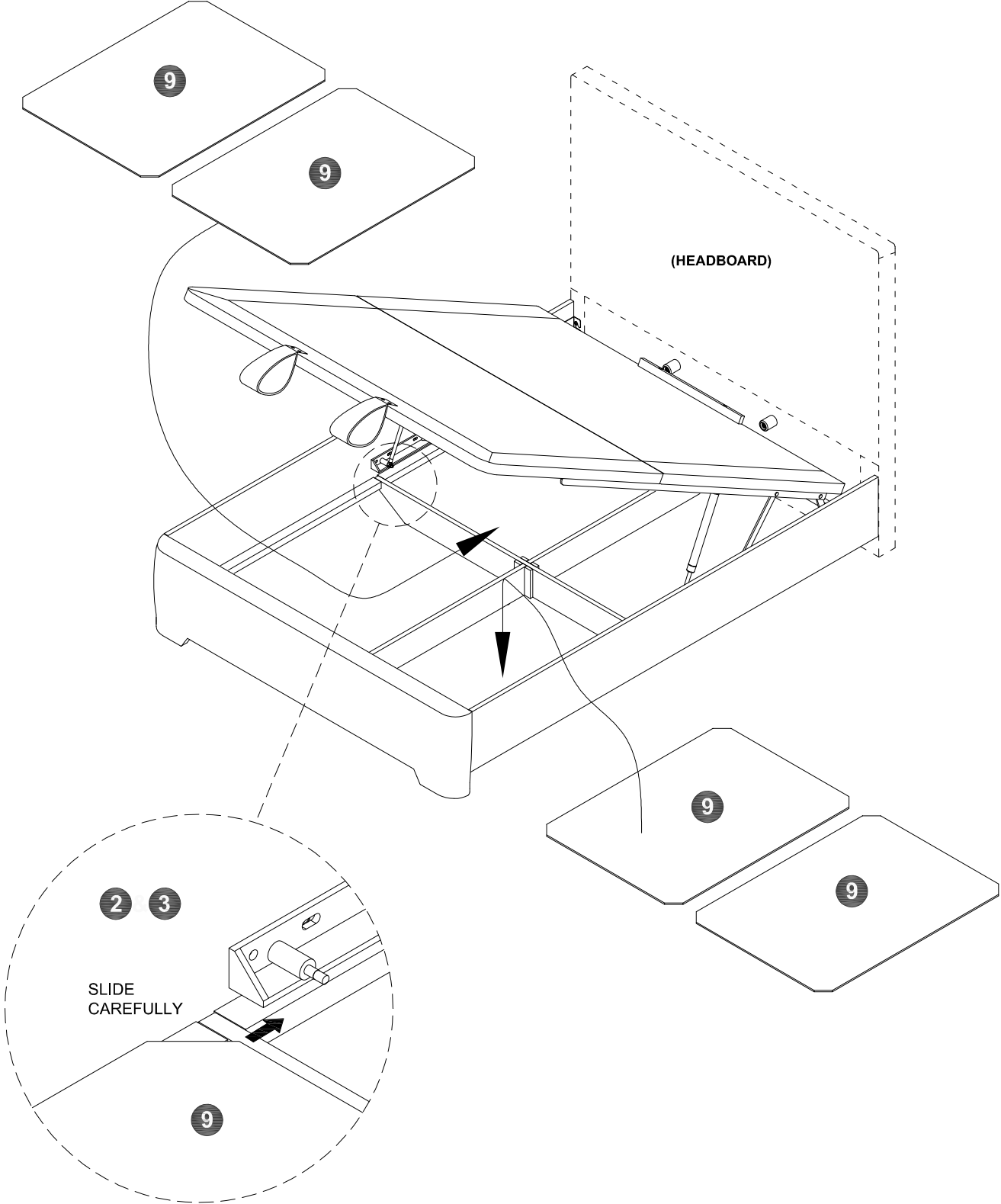


STEP 11-3

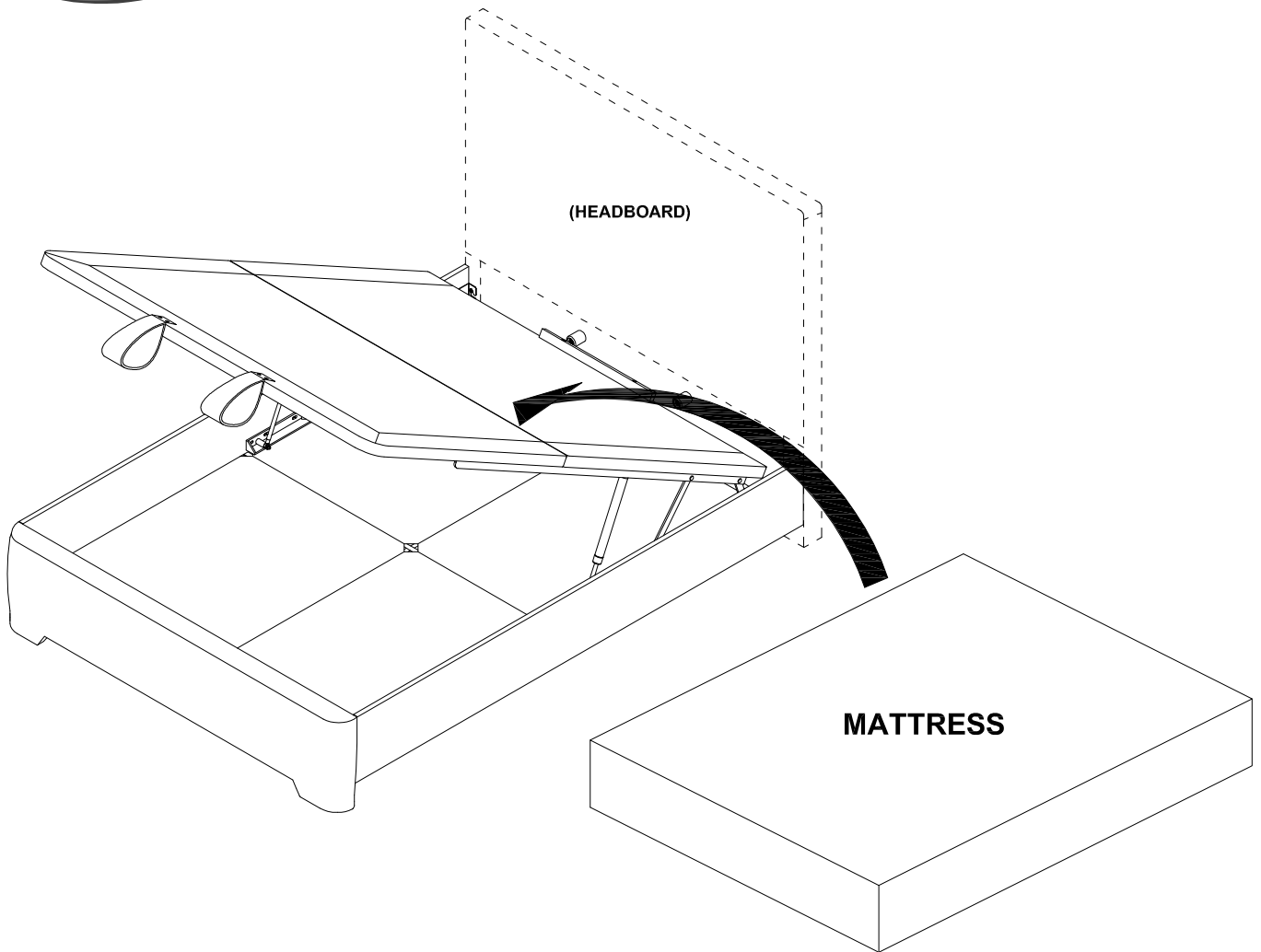


STEP 12

Slide base panels into place, taking care not to catch them on the side mechanisms.



STEP 13



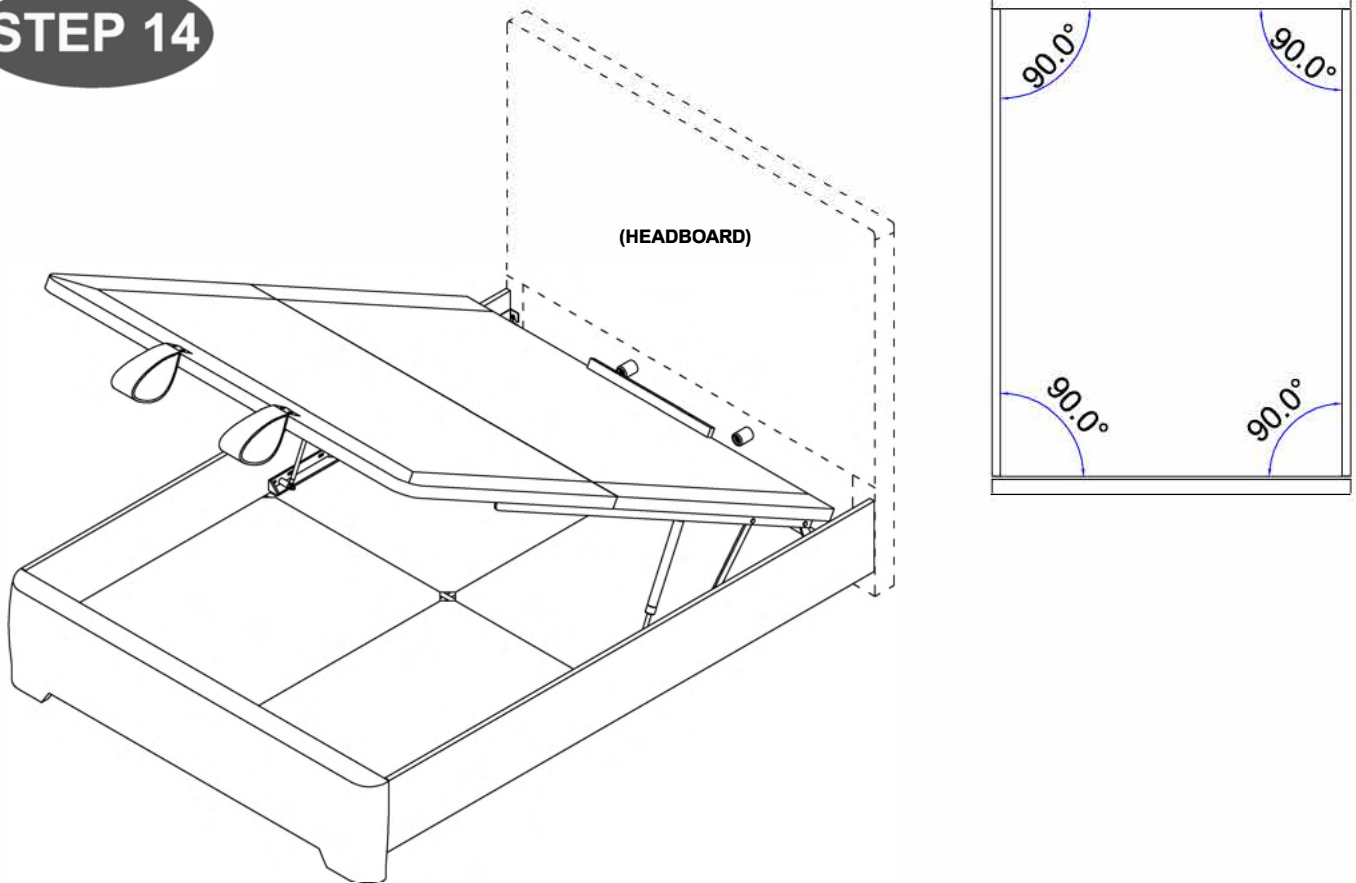
A. This Lift Mechanism provides assistance with the lift of the mattress fitted to the base - it does not lift the mattress for you. The system has been designed to effectively lift the base system fitted with a variety of mattress weights and combinations of depth. The combination of mattress weight and depth determines the degree of assistance provided by the mechanism.

B. Following installation of the mechanism lift / pull the base up and down a few times to free off the system. The gas cylinders fitted to the system may be stiff when first used or if the system has not been operated for a period of time. The mattress must be fitted to the base.

C. Use the strap handles to lift up the mattress base using two hands - Pull the mattress base down using two hands equally spaced from the centre of the mattress base. **DO NOT** pull down on one side of the base only as this is likely to damage the base system with potential failure of the mattress base system and lift mechanism. **Do not operate the lift up mechanism without the mattress fitted to the base.**

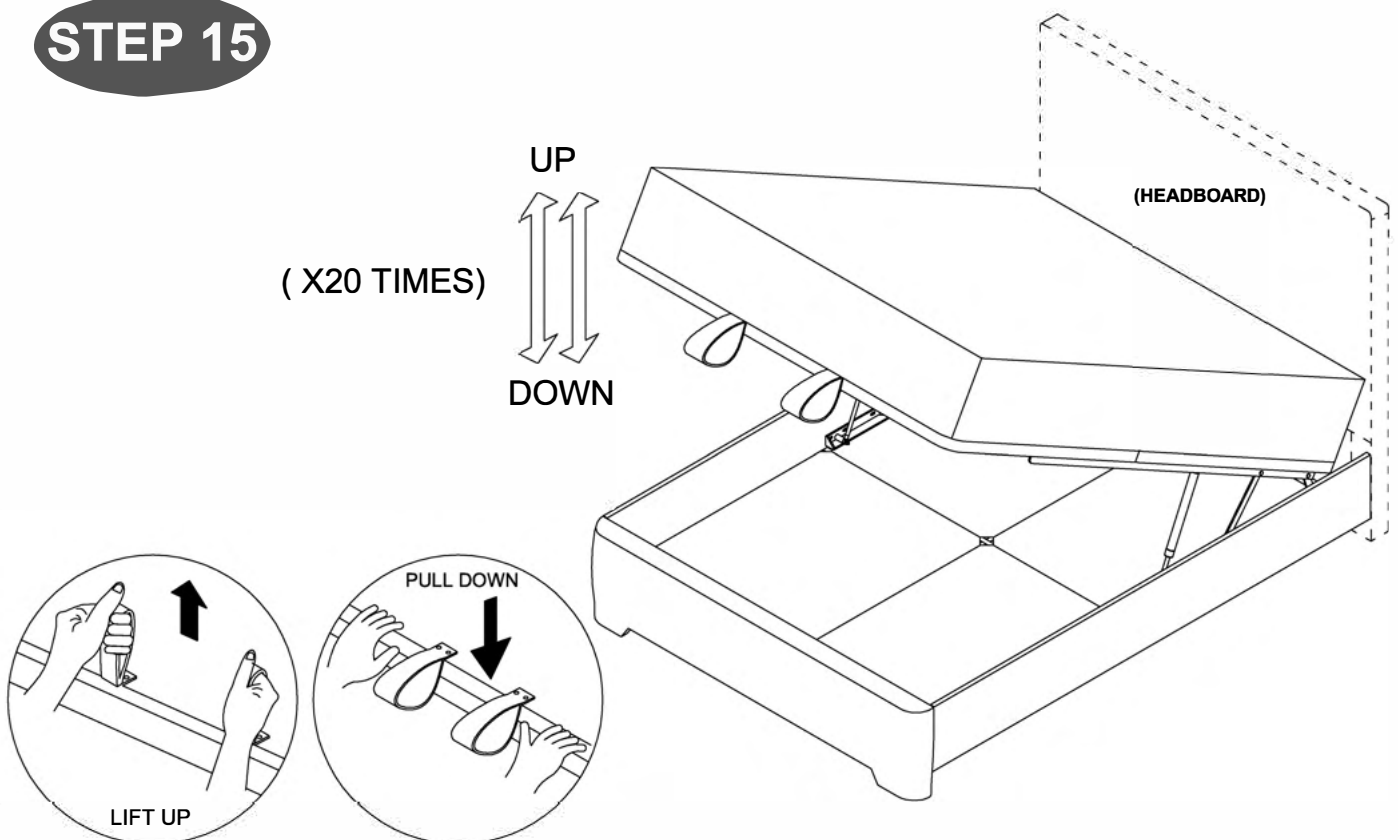
CAUTION : Do not allow children to operate the lift Mechanism.
Do not allow children near the lift base when operating the Mechanism.
Do not allow children in the area of the internal storage base.
Keep hands clear of the mechanism when operating the base system.
Do not stand inside the bed / on the internal storage base.
Do not overload the internal storage base.

STEP 14



~ Make sure the Bed Frames 4 side angles are at 90 degrees before closing the lift base.

STEP 15



~ The mattress must be fitted to the base. (Do not operate the lift up mechanism without the mattress fitted to the base.)

~ Lift Up and Down the Lift-Up Frame with Mattress at least 20 times before use.

Important for Ottoman and other gas lift beds

Please follow these final steps to ensure the best experience with your new bed

- Please ensure the pistons are fitted to the bed frame.
- Please place the mattress on top of the bed frame.
- Standing at the foot of the frame (looking at the headboard) open the base and the press quite forcefully down on the mattress - please do not attempt to do this without the mattress being in place.
- Please do not pull on the strap handles.
- Please note as the pistons are full of gas - you will need to press heavily to release the compressed gas.
- Once done the pistons should start operating as normal.



Please dispose of all packaging safely.

General Care & Maintenance

Wipe clean with a slightly damp cloth.
Avoid the use of all household cleaners and abrasives.

Periodically check all screw & fixings to ensure they are secure.

When moving your product, carefully lift into place. Never drag or push the product across the floor as this will cause damage to the joints. If the product is used on hard flooring, such as wood or laminated floor, you must place some protection under the legs to stop the product from moving. If this is not adhered to, it could result in failure to the product that will invalidate the warranty.

For more information on cleaning and product care visit:
<https://www.happybeds.co.uk/help-and-advice>

Notes

In the unlikely event that you have problems putting this product together or have damaged or missing parts, please contact us by visiting:
<https://www.happybeds.co.uk/customer-service>