



Assembly Instructions

Important before assembly:

Read these instructions carefully before assembling or using the product.

Please check the contents of the boxes before attempting to assemble this product. The instructions will have a checklist of parts and fittings.

Assemble the product as close to its intended final location/room as possible.

Health & Safety:

This product or some parts of this product will be heavy. Please use an assistant when lifting.

Please keep small parts out of reach of children.

Always use on a level, even surface.

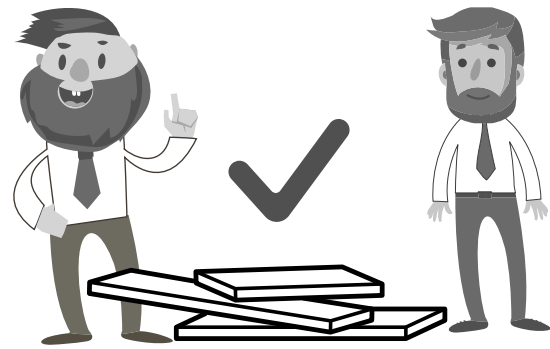
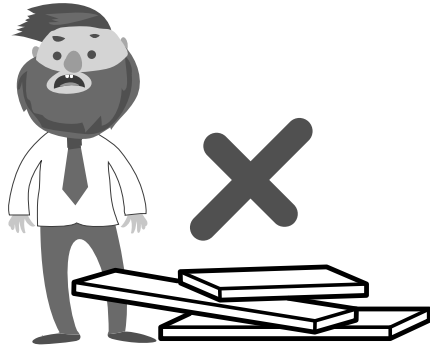
DO NOT jump on the product or any of its parts.

DO NOT use this product if any parts are missing, damaged or worn.

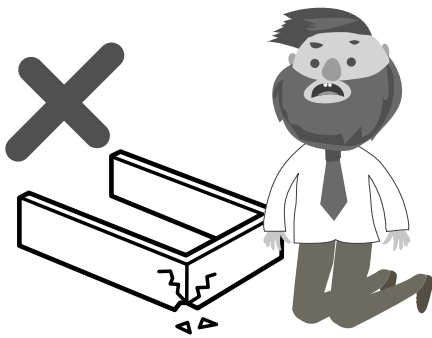
DO NOT use this product unless all fixings are secured.

Further instructions are on the following pages.

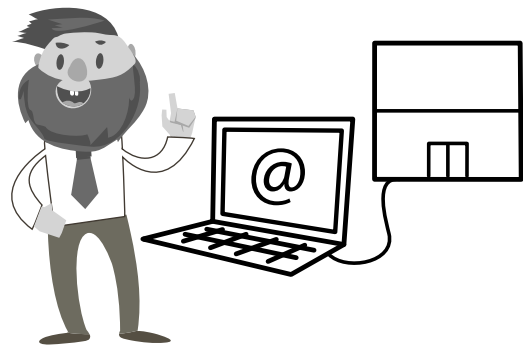
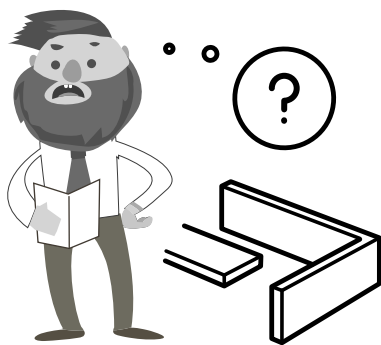
Please keep these instructions for future reference.



This product or some parts of this product will be heavy. Please use an assistant when lifting.



Never drag or push the pieces across a hard or stone floor as this will cause damage to the joints. Use a carpet or a rug for extra care.

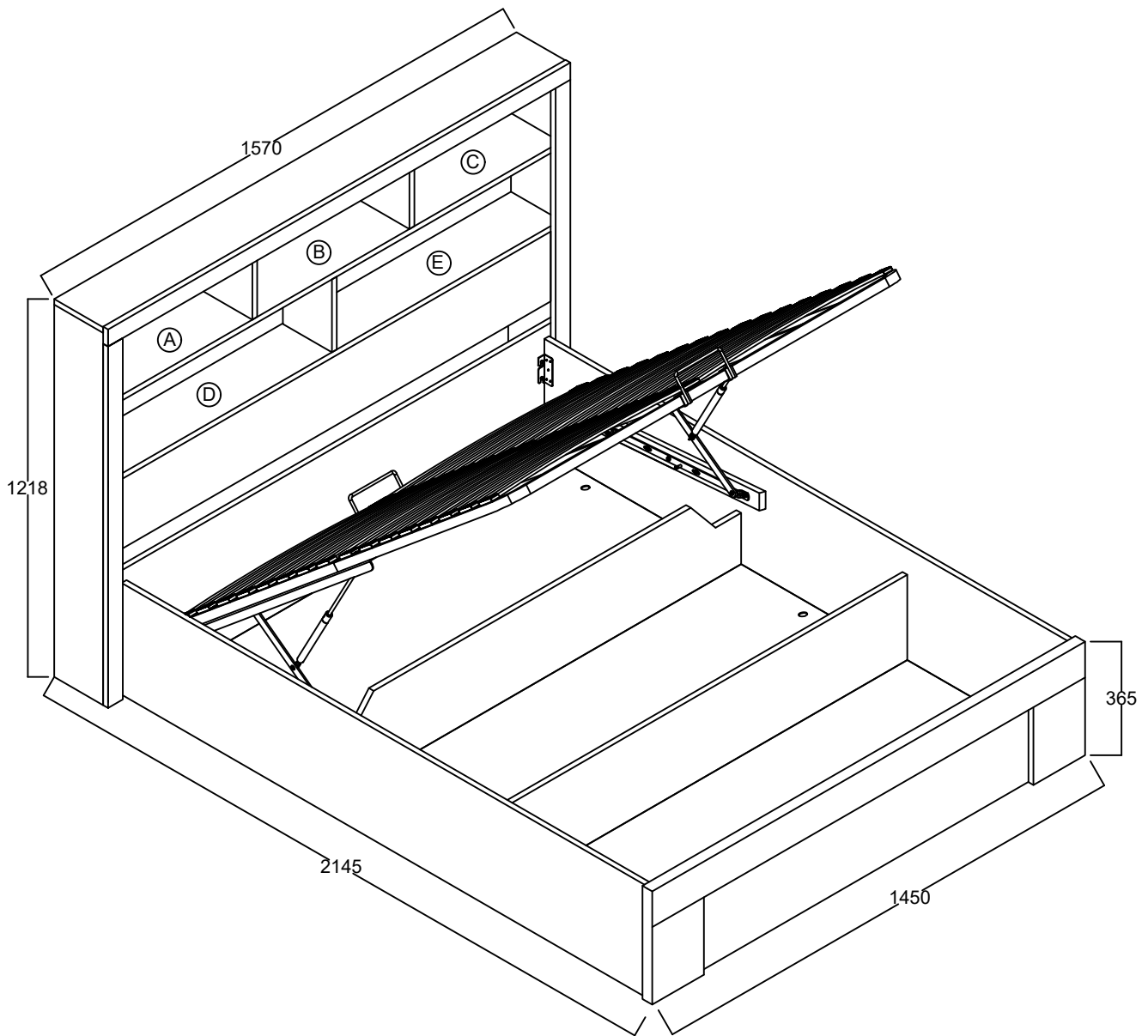


If you have problems assembling or have damaged or missing pieces, please contact our customer services (details at the back of these instructions)

DIMENSIONS

ARIZONA STORAGE BED

4FT6



Dimensions:
(A,B,C) L500 x W165 x H235
(D,E) L759 x W165 x H235
All measurements are approximates.

Important informations

Please take the time to carefully read through the whole of these instructions before you commence.

Keep these instructions for future reference.

Unpack, inspect and check all of the contents.

Please dispose of all packing safely.

Small components parts could choke a child if swallowed.

We strongly recommend that you keep children well away from the work area.

It would be sensible to lay a sheet or blanket on the floor where you intend to work to avoid scratching this product and protect your floor.

This product is heavy. Take extreme care when lifting to avoid personal injury or damage to the product.

This bed is heavy. Always lift the bed with two people.

Assemble the product as close to its intended final position in the room as possible.

Keep any sharp object away from the bed frame.

HANDY HINT: If you keep the hardware in a bowl during assembly you will be less likely to lose them.

HEALTH & SAFETY

DO NOT: jump on this bed frame.

DO NOT: use this bed frame if any parts are missing, damaged or worn.

DO NOT: use this bed frame unless all fixings are secured.

DO NOT: push the bed frame as this will damage the legs.

Always lift the bed frame with two people to reposition.

Always use on a level, even surface.

Following installation of the mechanism lift / pull the base up and down a few times to free of the system-the gas cylinders fitted to the system may be stiff when first time used or if the system has not been operated for a period of time. The mattress must be fitted to the base.

Use the strap handle to lift up the mattress base using two hands-Pull the mattress base down using two hands equally spaced from the mattress.

WARNING: If this bed is placed on a non-carpeted floor you must place some protection under all legs to stop the bed frame from moving. If this is not adhered to there is no guarantee if the bed frame collapses.

WARNING: This storage bed frame has a powerful, mechanism and after assembly should only be opened when mattress is in place.

CAUTION

DO NOT: allow children to operate the mechanism.

DO NOT: allow children near the lift base when operating the mechanism.

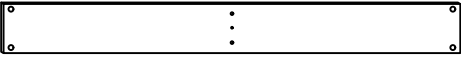
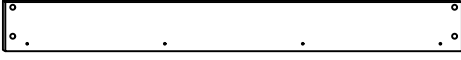
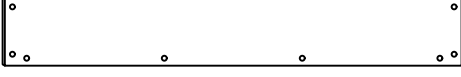

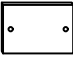
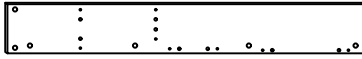
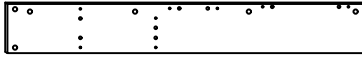
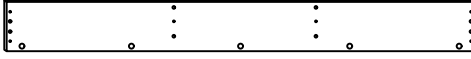
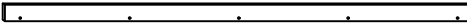
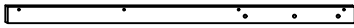
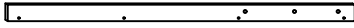
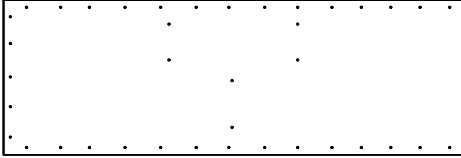
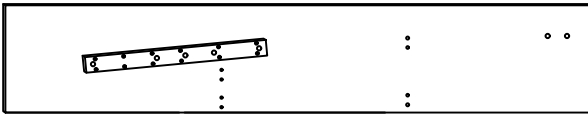



DO NOT: allow children in the area of the internal storage base.

Keep hands clear of the mechanism when operating the system.

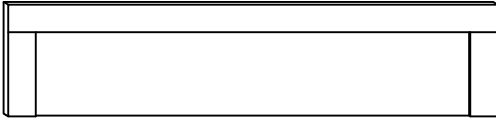

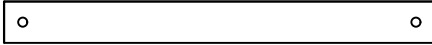
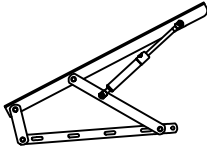
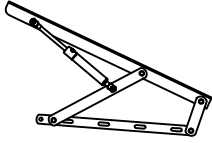
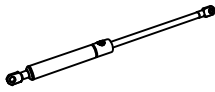
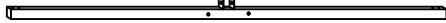



DO NOT: stand inside the bed / on the internal storage base.

DO NOT: overload the internal storage.

Parts List



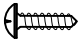


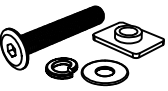










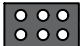
Part	Description		Box	Qty
1	HEADBOARD SHELF PANEL (UPPER)		1	1pcs
2	HEADBOARD SHELF PANEL (LOWER)		1	1pcs
3	HEADBOARD CENTER PANEL		1	1pcs
4	HEADBOARD BOTTOM STORAGE PANEL		1	1pcs
5	HEADBOARD DIVIDER SHELF PANEL		2	3pcs
6	HEADBOARD SIDE PANEL LEFT		1	1pcs
7	HEADBOARD SIDE PANEL RIGHT		1	1pcs
8	HEADBOARD TOP PANEL		1	1pcs
9	HEADBOARD TOP LINING		3	1pcs
10	HEADBOARD SIDE LINING (L)		3	1pcs
	HEADBOARD SIDE LINING (R)		3	1pcs
11	HEADBOARD BACK COVER		1	1pcs
12	SIDE RAIL (L)		3	1pcs
13	SIDE RAIL (R)		3	1pcs
14	CENTER STORAGE PANEL		2	1pcs
15	BACK STORAGE PANEL		2	1pcs

Parts List

Part	Description		Box	Qty
16	FOOTBOARD		2	1pcs
17	BIG BASE PANEL		2	3pcs
18	SMALL BASE PANEL		2	1pcs
19	HYDRAULIC BASE SUPPORT (L)		3	1pcs
20	HYDRAULIC BASE SUPPORT (R)		3	1pcs
21	HYDRAULIC PUMP		3	2pcs
22	BED BASE FRONT BAR		4	2pcs
23	BED BASE MIDDLE BAR		4	1pcs
24	BED BASE SIDE BAR		4	2pcs
25	WOOD SLATS		4	28pcs

***All parts are numbered accordingly**

Hardware List

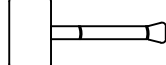
NO	HARDWARE DESCRIPTION		QTY	Box
A.	Minifix Screw		51pcs	4
B.	Wood Dowel M8 x 30mm		40pcs	4
C.	Pan Head Screw M3.5 X 12mm		52pcs	4
D.	JCBB Bolt M8 X 16mm		34pcs	4
E.	Hydraulic Metal Corner Support		2pcs	4
F.	JCBB Bolt M8 X 45mm c/w NUT BRACKET, Spring & Flat Washer		6pcs	4
G.	JCBC Bolt M6 X 40mm		14pcs	4
H.	JCBC Bolt M6 X 30mm Flat Washer		6pcs	4
I.	Nut Bracket (2hole)		4pcs	4
J.	Single End Plastic Cap		28pcs	4
K.	Double End Plastic Cap		14pcs	4
L.	Handle		2pcs	4
M.	Allen Key M8		1pcs	4
N.	Allen Key M6		1pcs	4
O.	Spanner M12.8		1pcs	4
P.	L Bracket (2 holes)		3pcs	4
Q.	Round White Stickers		1pcs	4

**You will also need a screwdriver and small mallet (not provided).



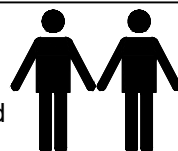
NOT PROVIDED

NOT METAL



NOT PROVIDED

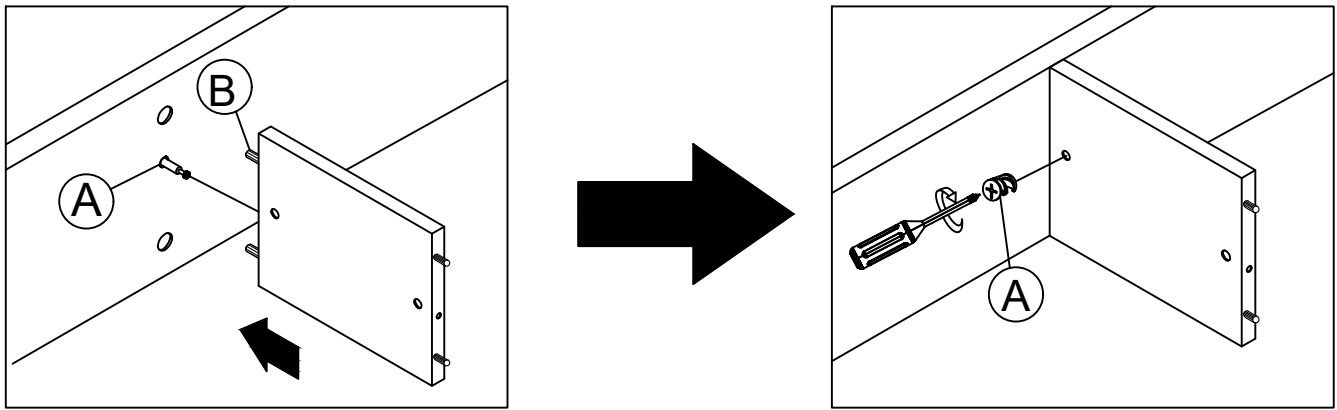
People Required
to Assemble



DO NOT use any power tools as this may
damage the frame.

IMPORTANT NOTE

Please join all of the minifix screw to the plastic holes and then joint together the panel and install the minifix lock nut in the holes and lock it, follow the example below.



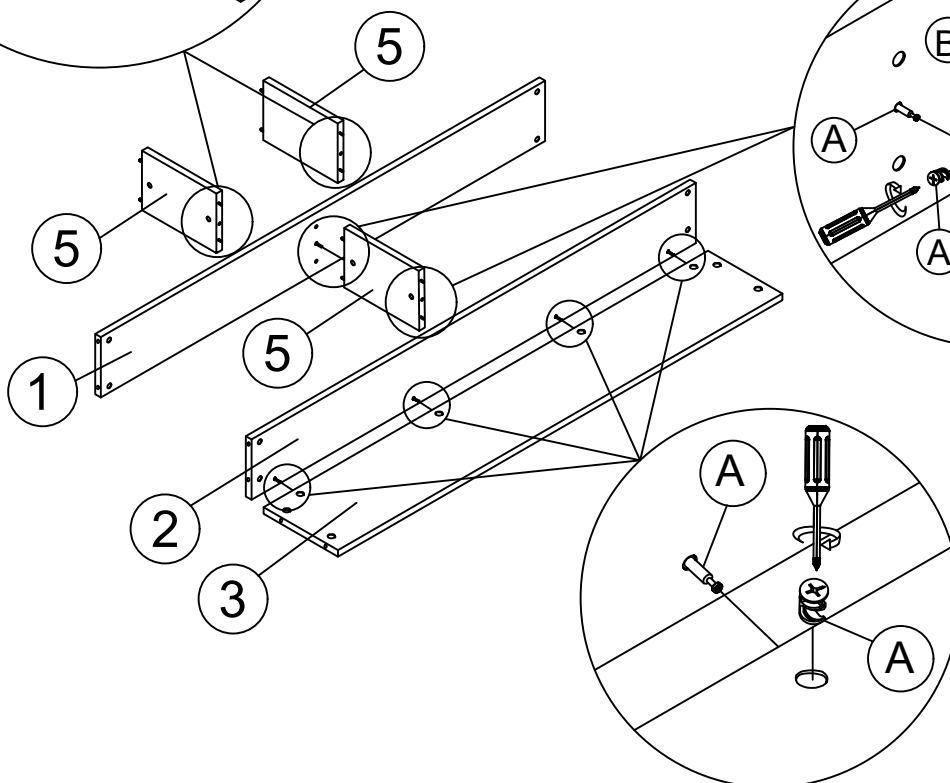
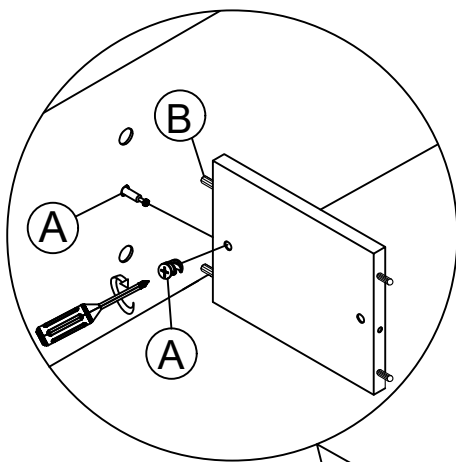
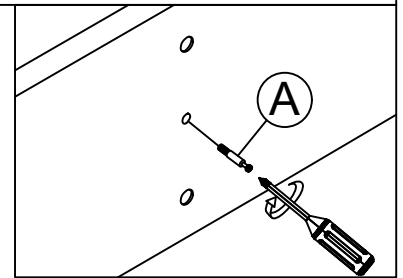
STEP 1: Join together the divider shelf panel (5) with the upper shelf panel (1) and lower shelf panel (2) by using hardware part (A & B). Then , join the headboard front panel (3) to the bottom of lower shelf panel by using hardware parts (A & B).

DO NOT use any power tools as this may damage the frame and will invalidate any claim.

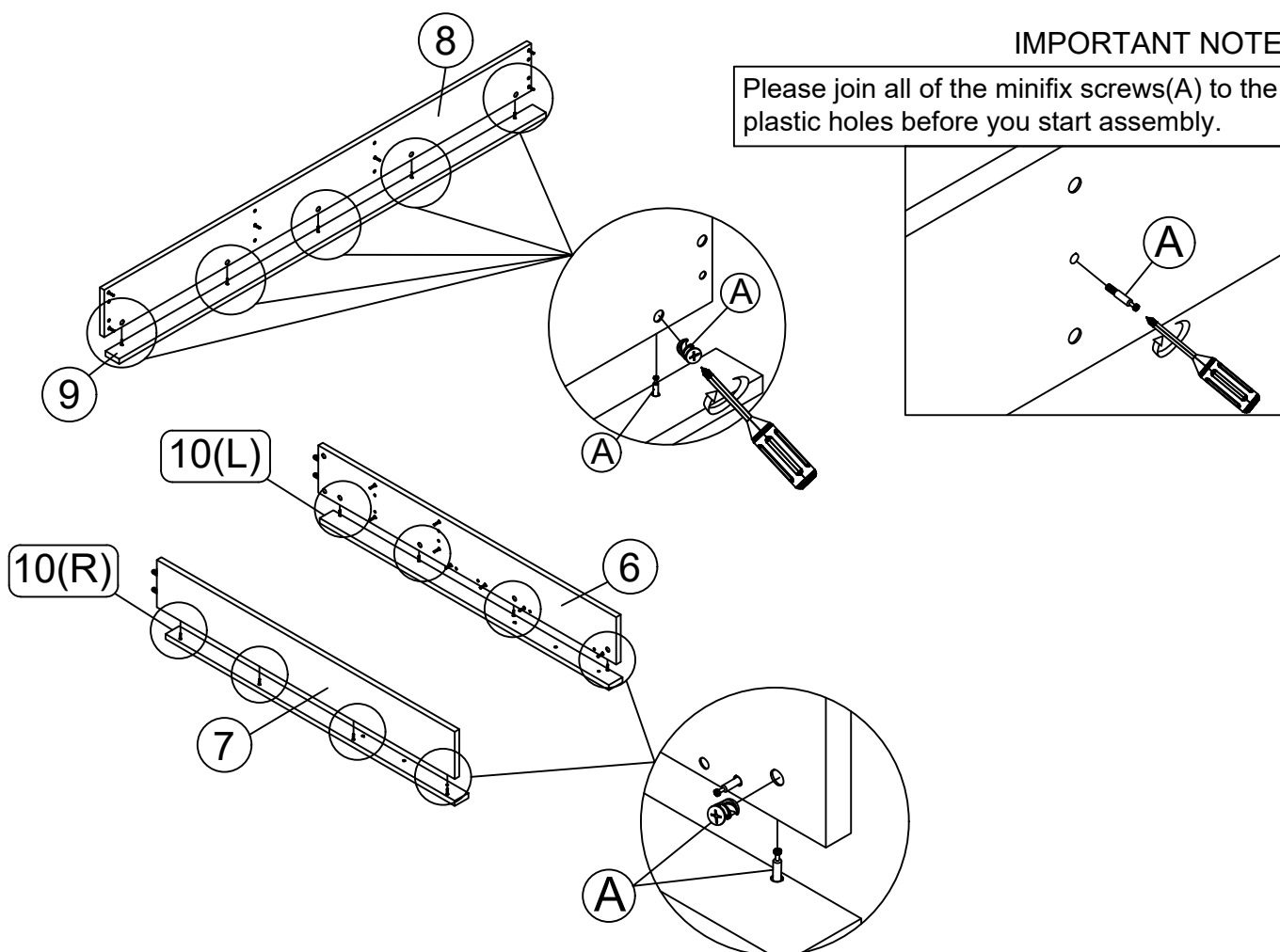
BACK VIEW:

IMPORTANT NOTE

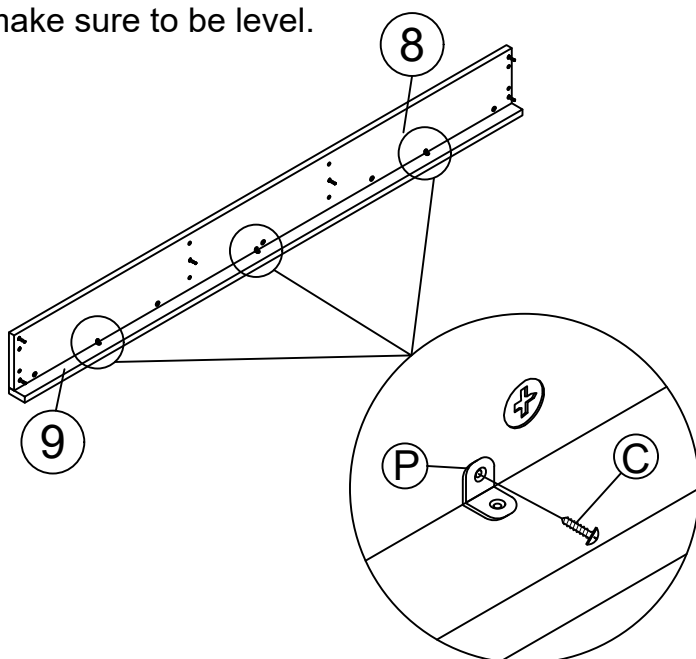
Please join all of the minifix screws(A) to the plastic holes before you start assembly.



STEP 2: Attach the headboard top lining(9) to the headboard top panel(8) and the headboard side lining (10) to the headboard side panel (6 & 7) by using hardware part (A).
DO NOT use any power tools as this may damage the frame and will invalidate any claim.

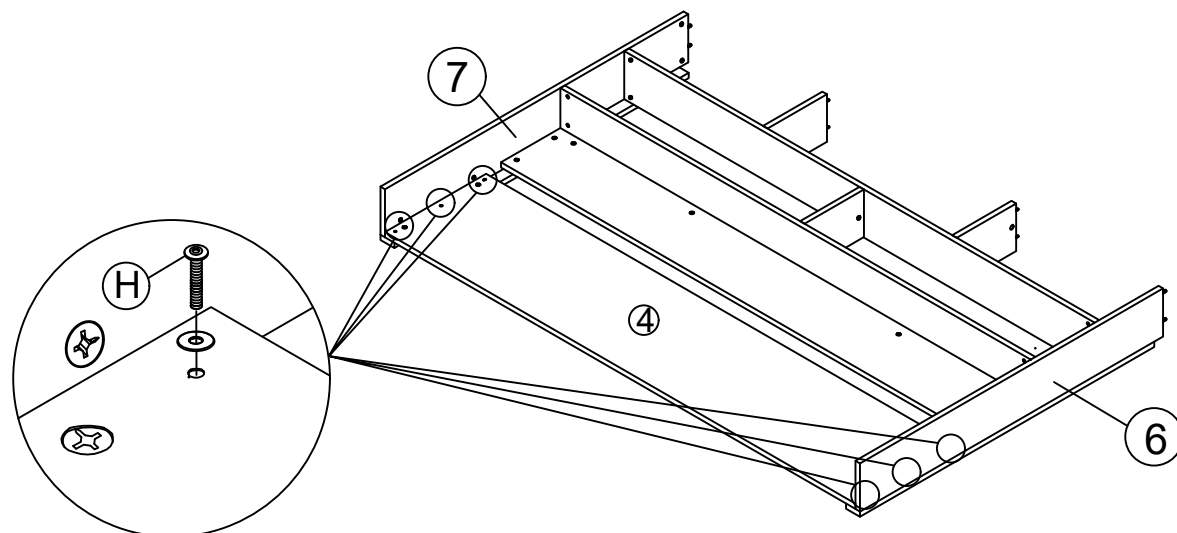
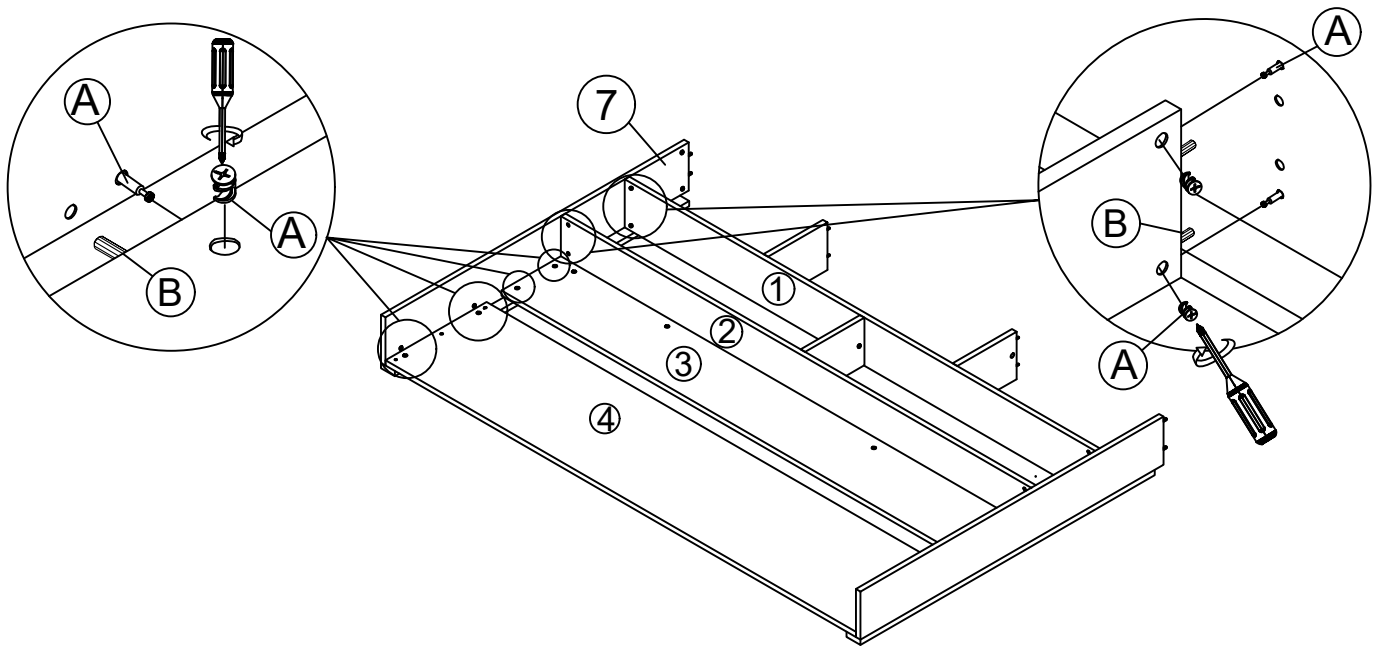
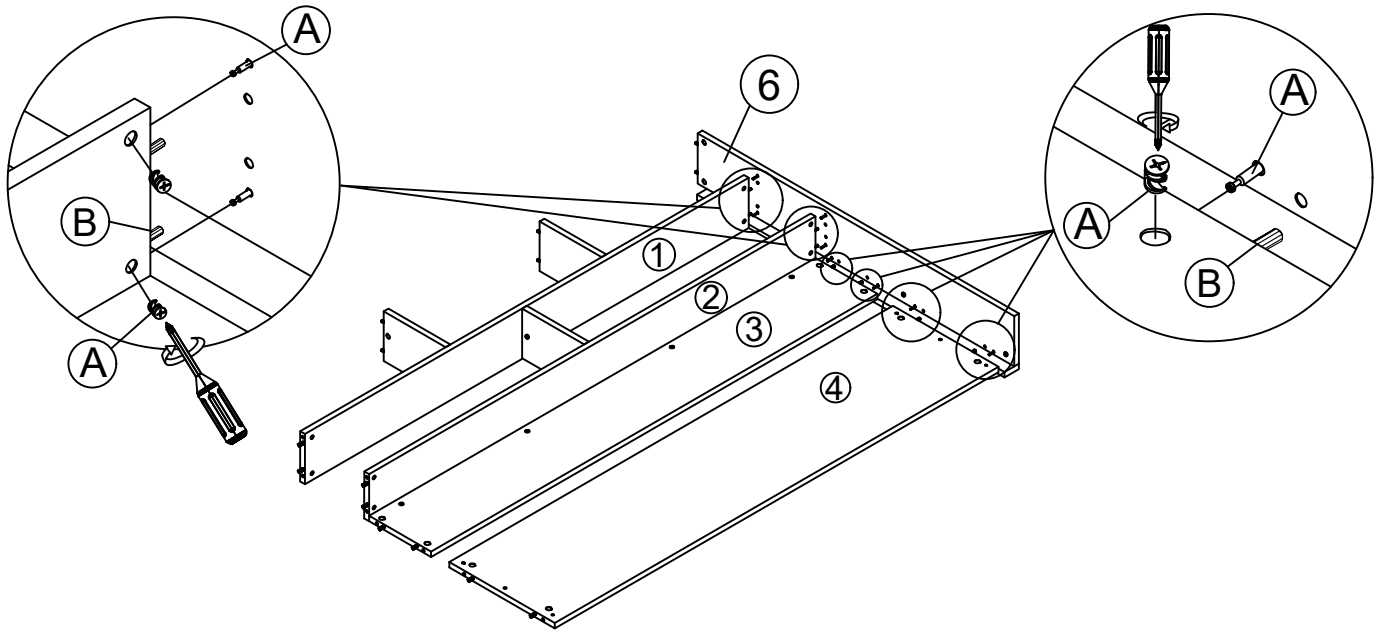


STEP 3: Please use the hardware parts (C&P) to fix the headboard top panel(8) and headboard top lining(9) to make sure to be level.

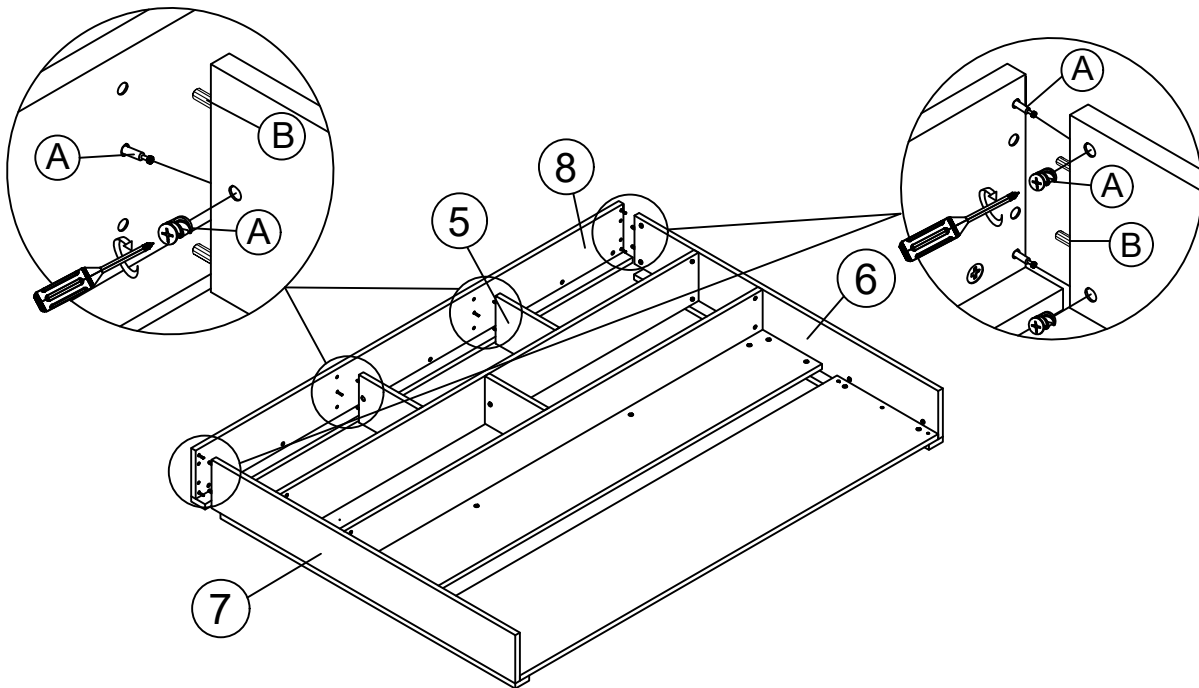


NOTE : If the top lining and top panel are level, it is NOT necessary to assembly the L Bracket !

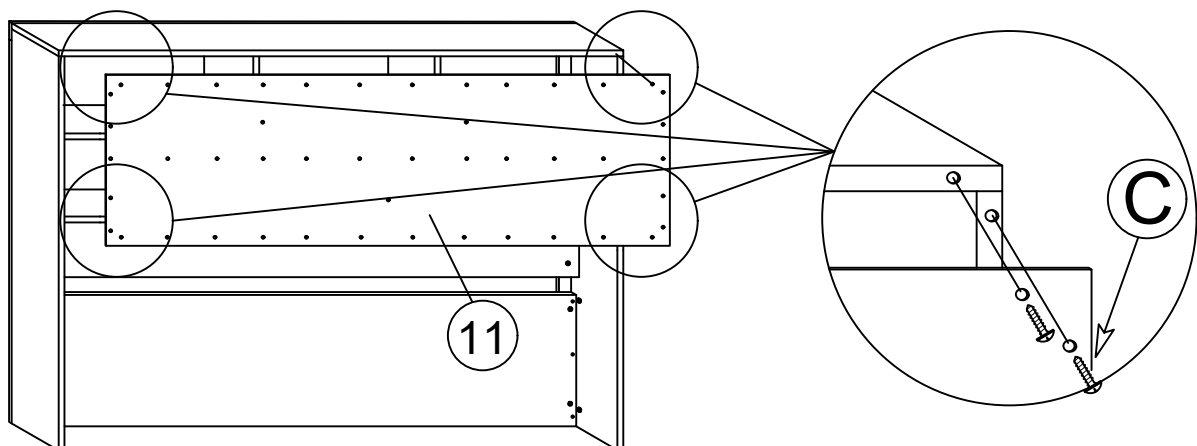
STEP 4: Attach the both headboard side panel Left (6) & Right (7) to the headboard panel (1, 2, 3 & 4) by using hardware parts (A & B). Then, join the headboard bottom storage panel (4) with hardware part (H) to make the headboard more stable. DO NOT use any power tools as this may damage the frame and will invalidate any claim.



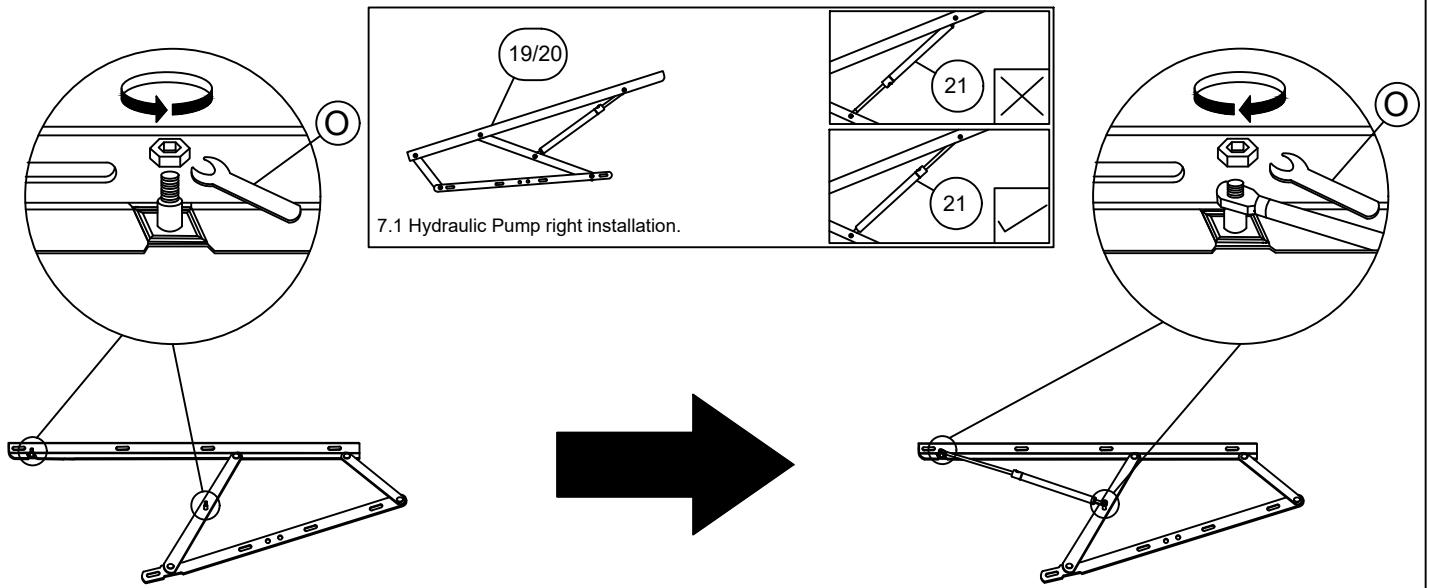
STEP 5: Join the headboard top panel (8) to the top of divider shelf panel (5) and headboard side panel Left (6) & Right (7) by using hardware parts (A & B).
DO NOT use any power tools as this may damage the frame and will invalidate any claim.



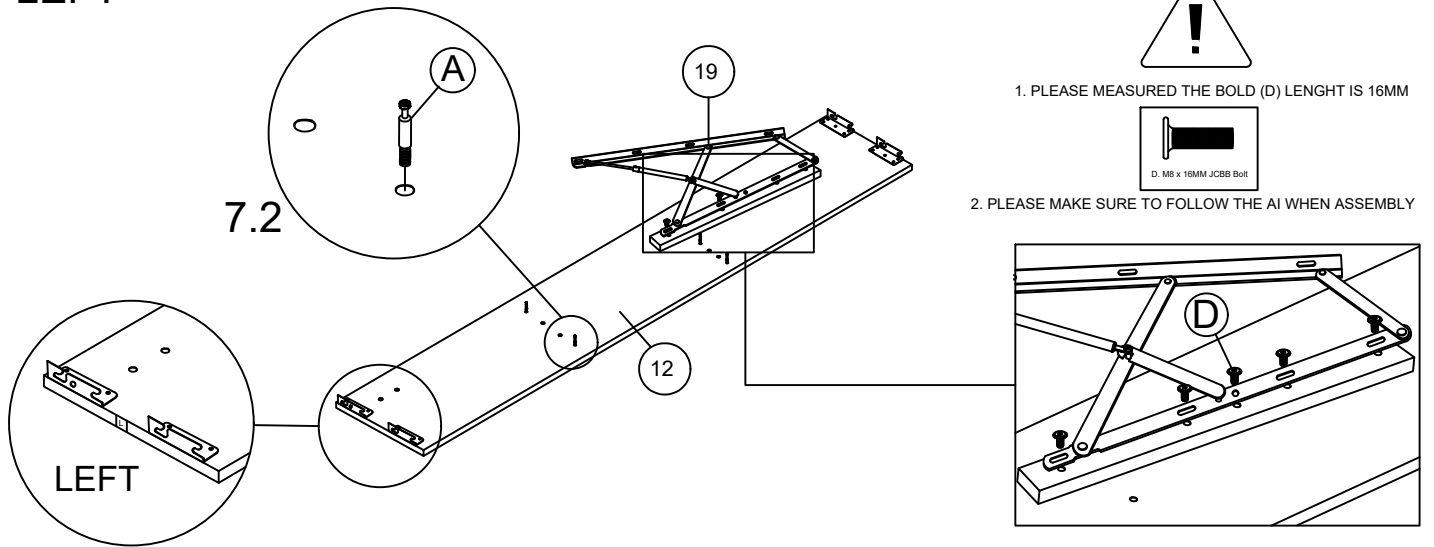
STEP 6: Attach the headboard back cover (11) to the back of the completed headboard by using hardware part (C). First, join the pan head screw to the holes on the 4 corners had been prepared on headboard back cover and finally join all the others screws to the following mark.



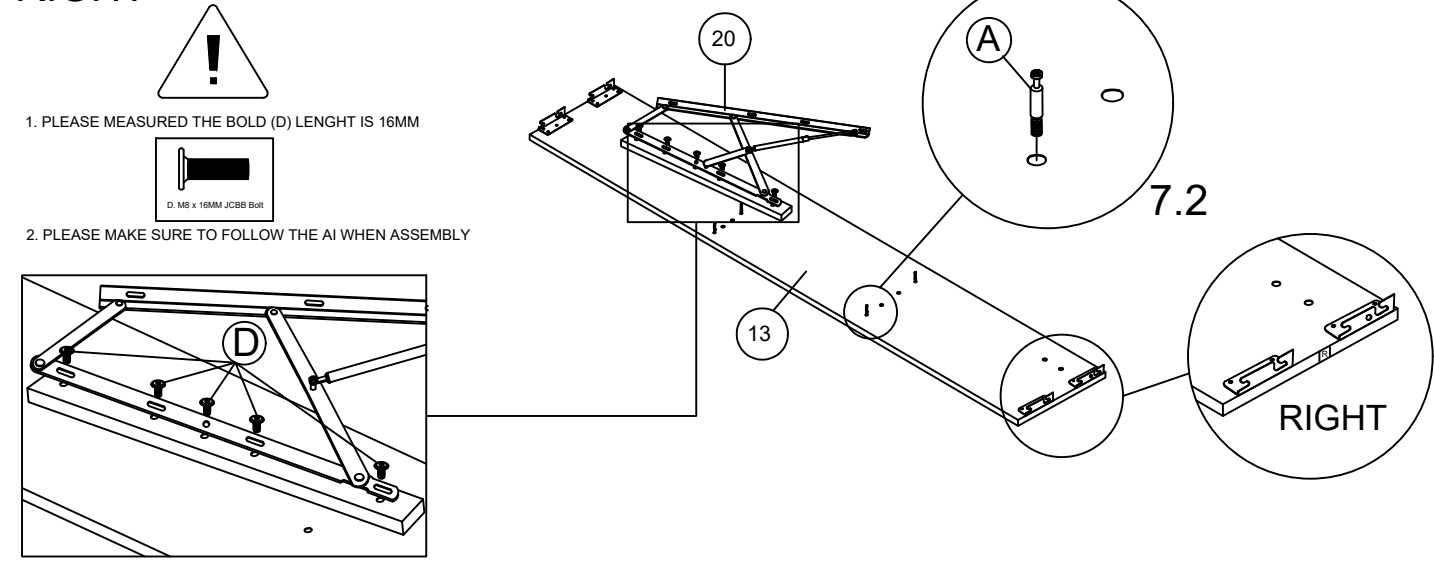
STEP 7: Firstly, Loosen the Hex Nut from the Left & Right Hydraulic Base Support ,then fix the hydraulic pump to each hydraulic base using the same Hex Nut & O. (shown in diagram 7.1) Next, fix the left & right hydraulic spacer together with hydraulic base supporter to both side rails using bolt D and then screw the minifix part A to the both side rails as (shown in diagram 7.2).



LEFT

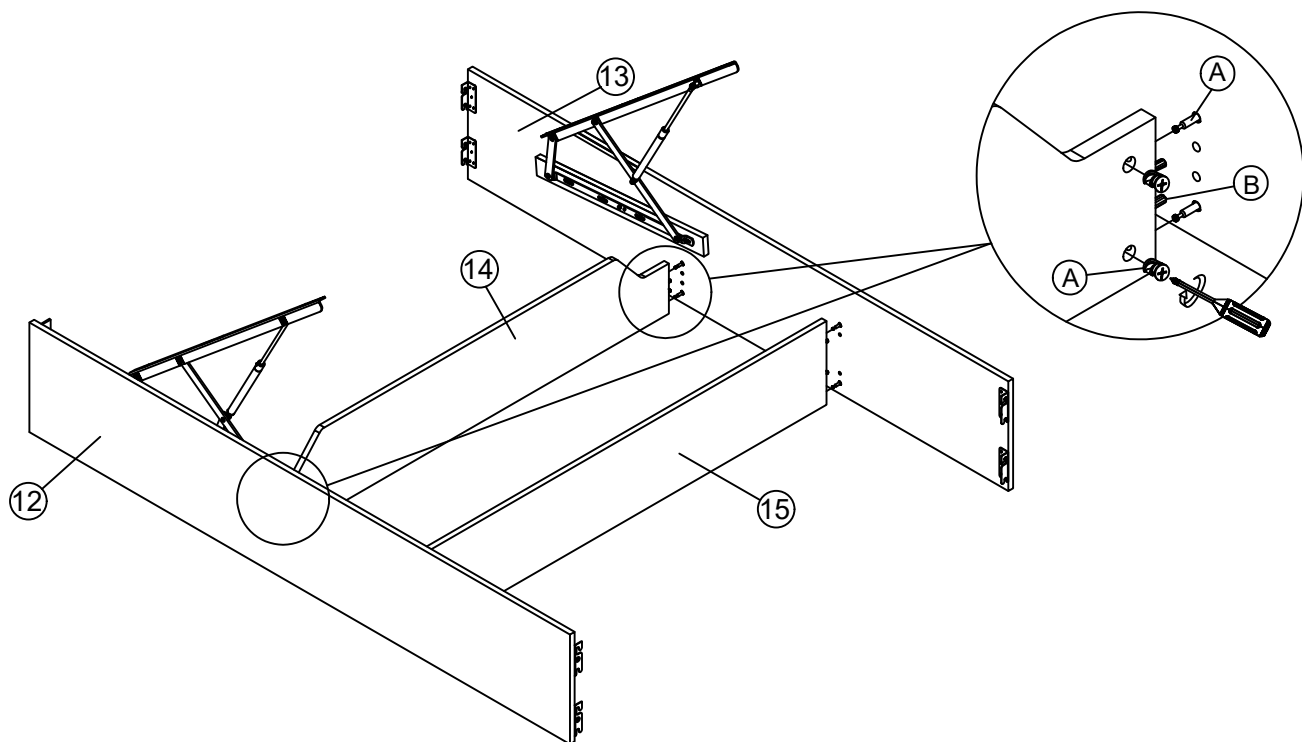


RIGHT



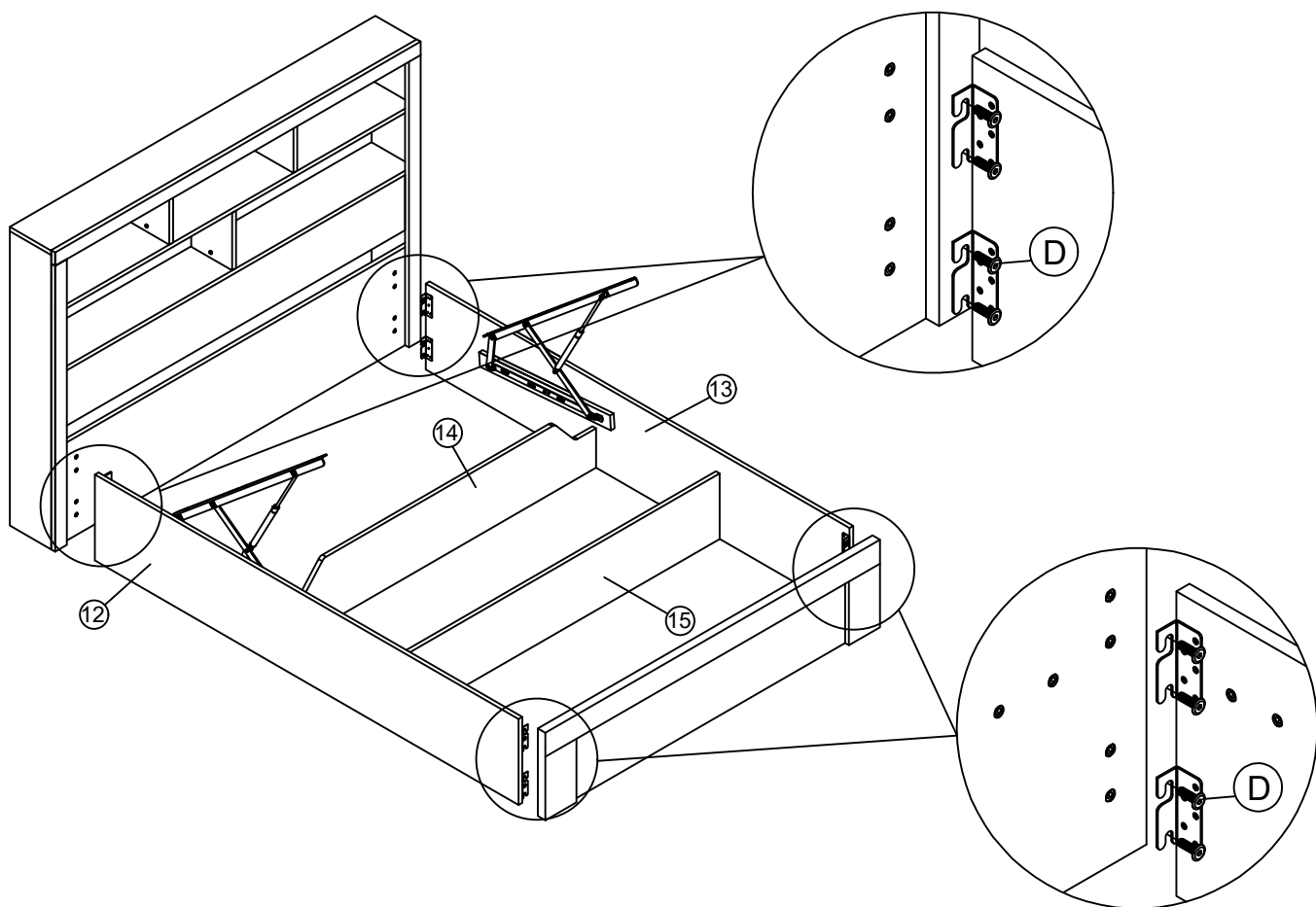
STEP 8: Join together the left side rail (12) and right side rail (13) with the centre storage panel (14) and back storage panel (15) by using hardware parts (A & B).

DO NOT use and power tools as this may damage the frame and will invalidate any claim.

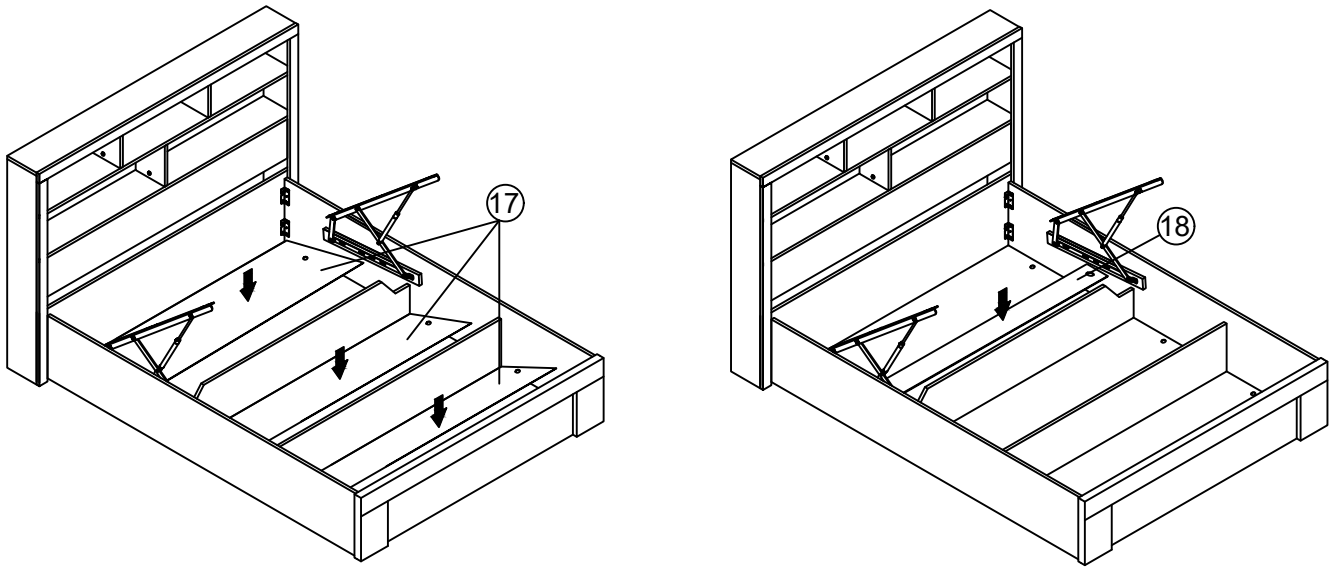


STEP 9: Attach the completed headboard and footboard (16) by using hardware part (D).

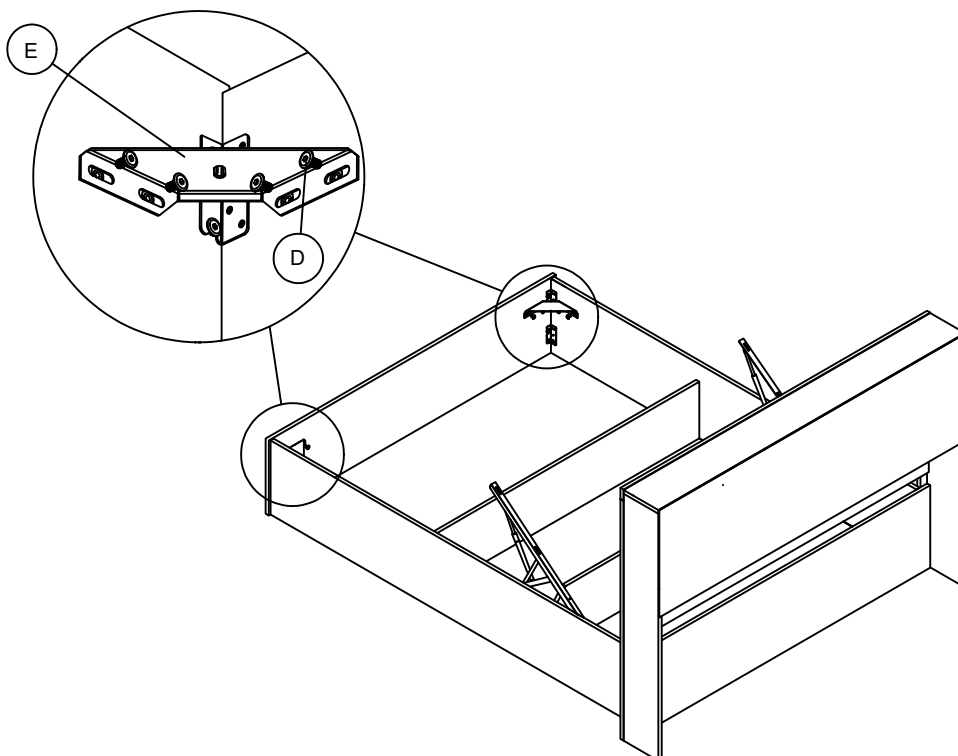
DO NOT use any power tools as this may damage the frame and will invalidate any claim.



STEP 10: Insert the large base panel (17) and small base panel (18) .
DO NOT use any power tool as this may damage the frame and will invalidate any claim.



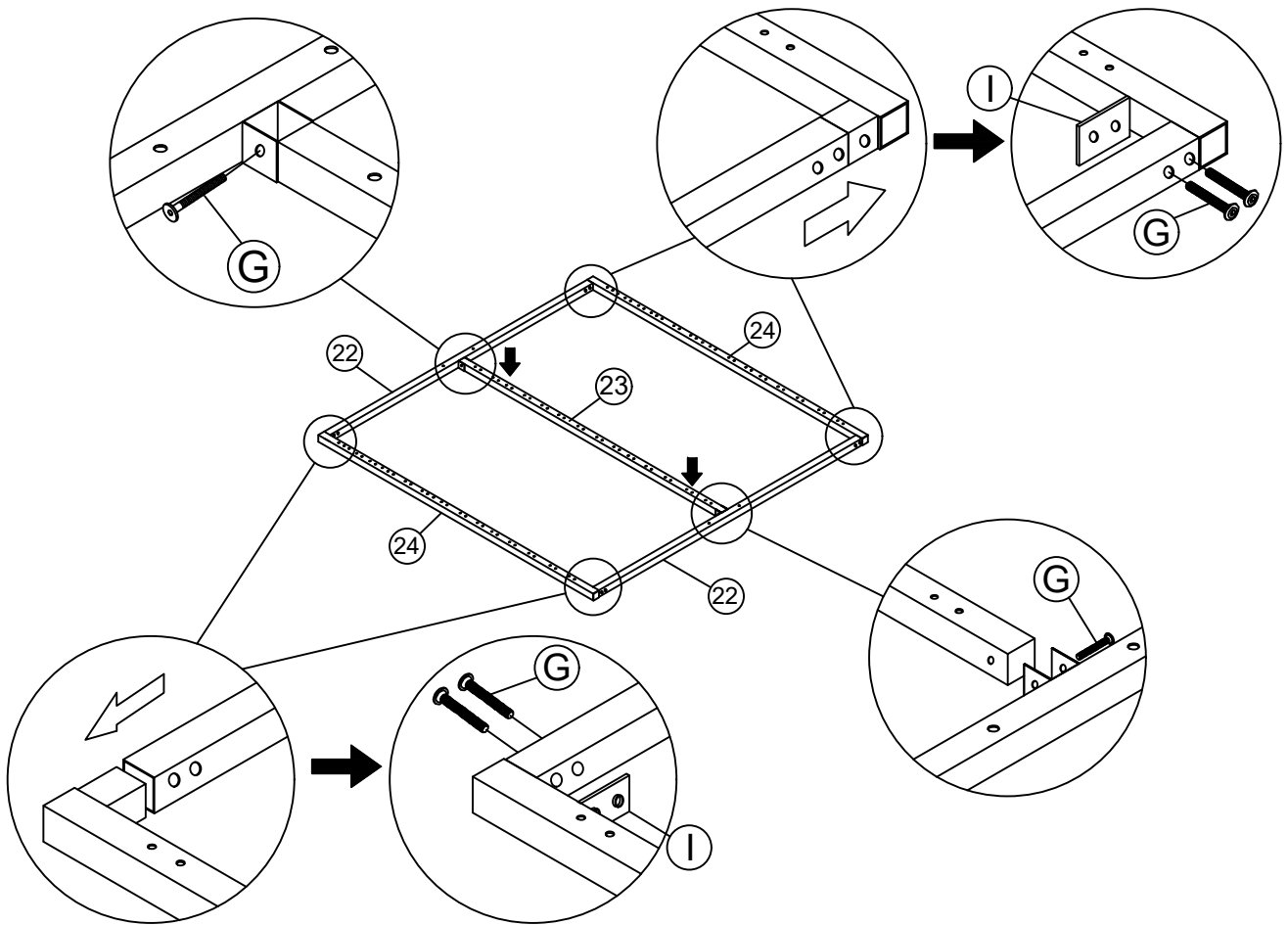
STEP 11: Fix metal corner block (E) to the edge of footboard and side rails with bolt (D) as shown.
DO NOT use any power tools as this may damage the frame and will invalidate any claim.



STEP 12: Join together all the bed base parts (22), (23) and (24) by using hardware parts (G) & (I).

Important note: Please assemble follow arrow direction.

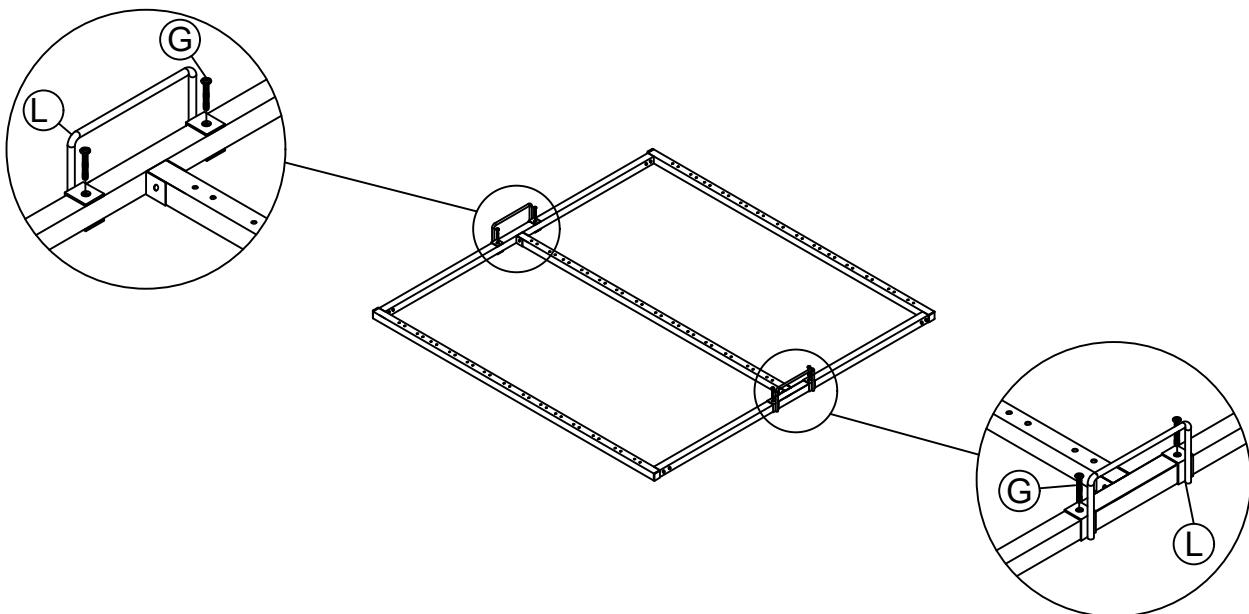
DO NOT use any power tool as this may damage the frame and will invalidate any claim.



STEP 13: Attach hardware parts (L) using hardware part (G).

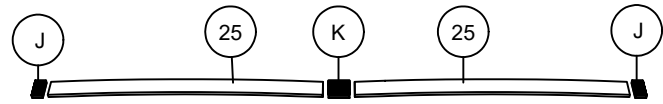
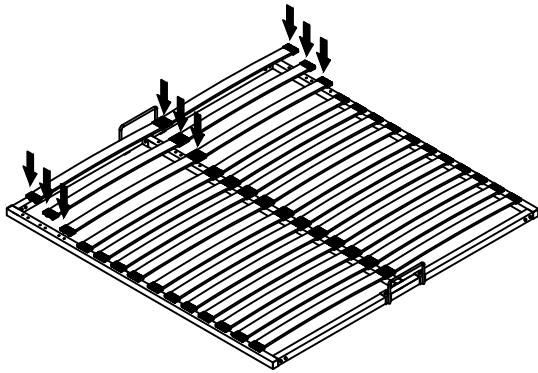
Important note: Please assemble follow arrow direction.

DO NOT use any power tool as this may damage the frame and will invalidate any claim.



STEP 14: Insert the slats (25) to hardware parts (J) and (K) then press into the base making sure they are secure

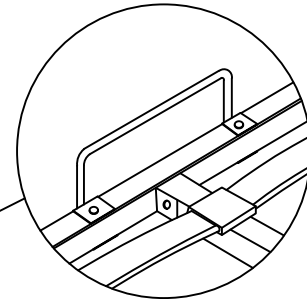
DO NOT use any power tool as this may damage the frame and will invalidate any claim.



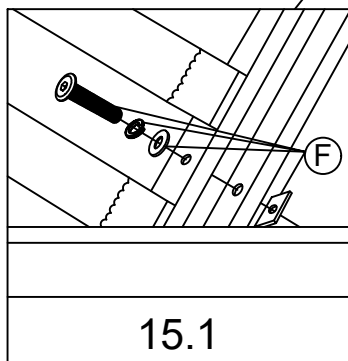
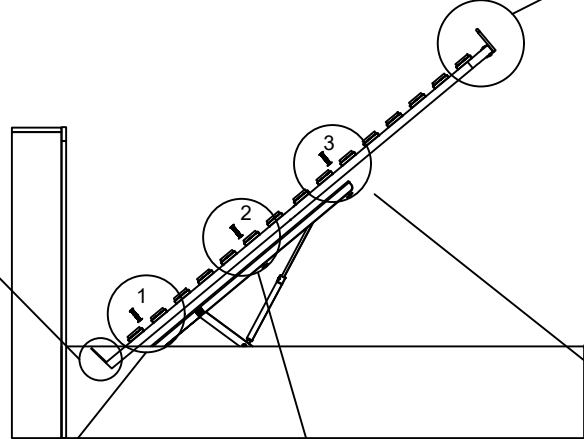
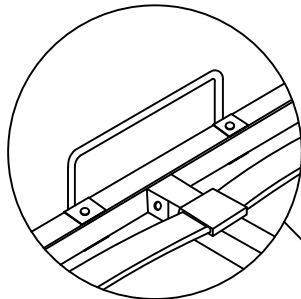
STEP 15: Assemble the bed base on the right & left hydraulic frame and fix bolts F starting from '15.1' to '15.3' as shown.

Important note: Do not tighten the bolts yet! and this assemble must be done by two person

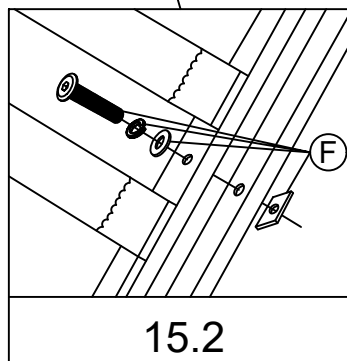
FOOTBOARD



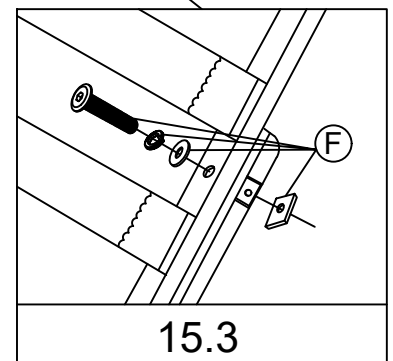
HEADBOARD



15.1

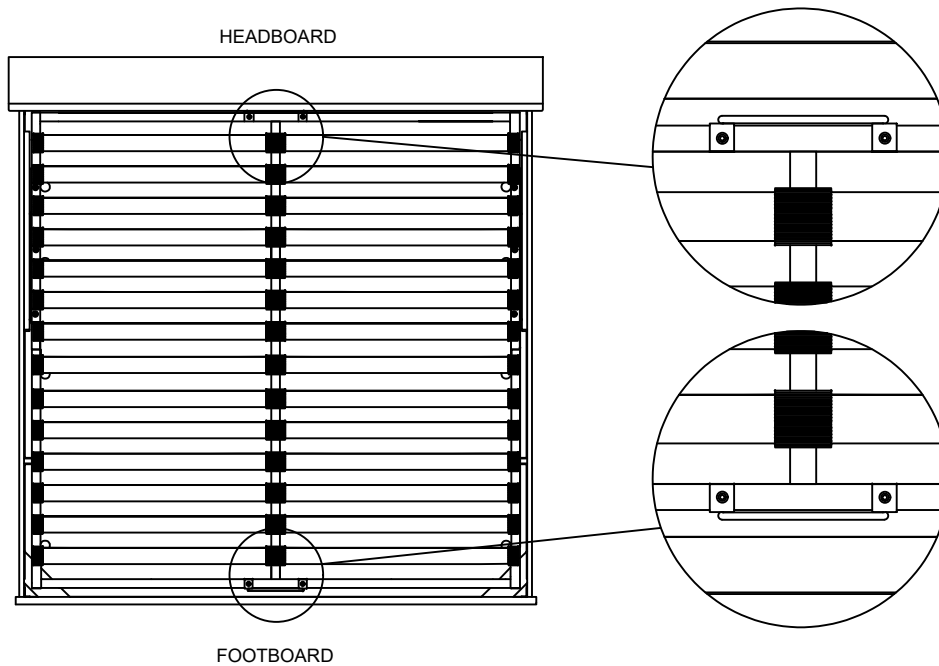


15.2

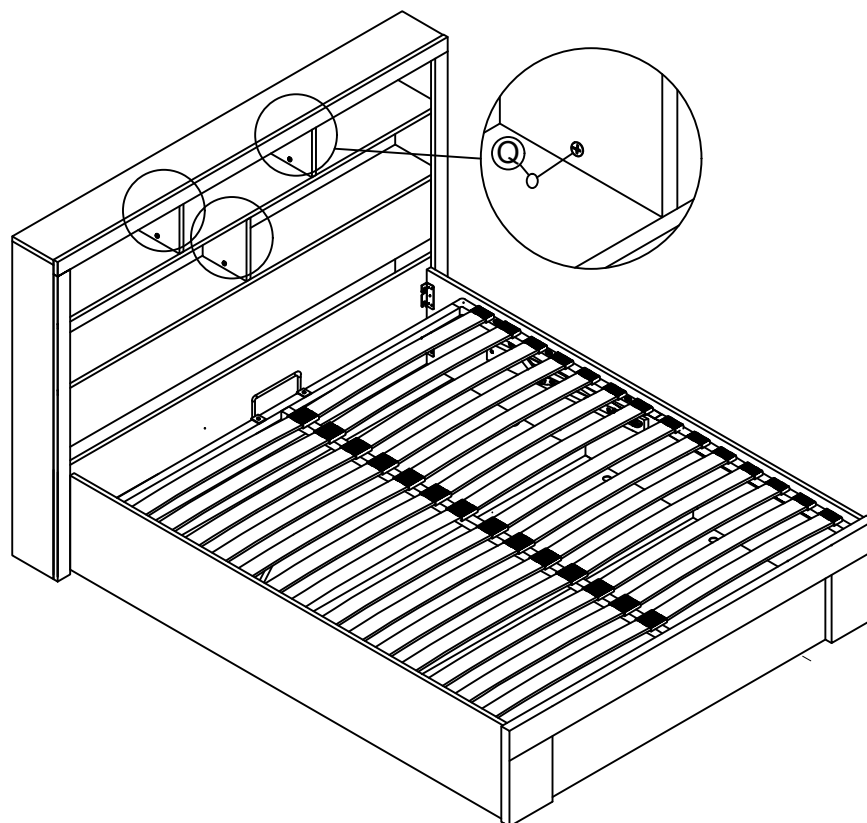


15.3

STEP 16: Tighten all bolts and screws now. Top view of assembly bed.
DO NOT use any power tool as this may damage the frame and will invalidate any claim.



STEP 17: Stick the round white stickers (Q) to the minifix bolt to make the holes colour look same.

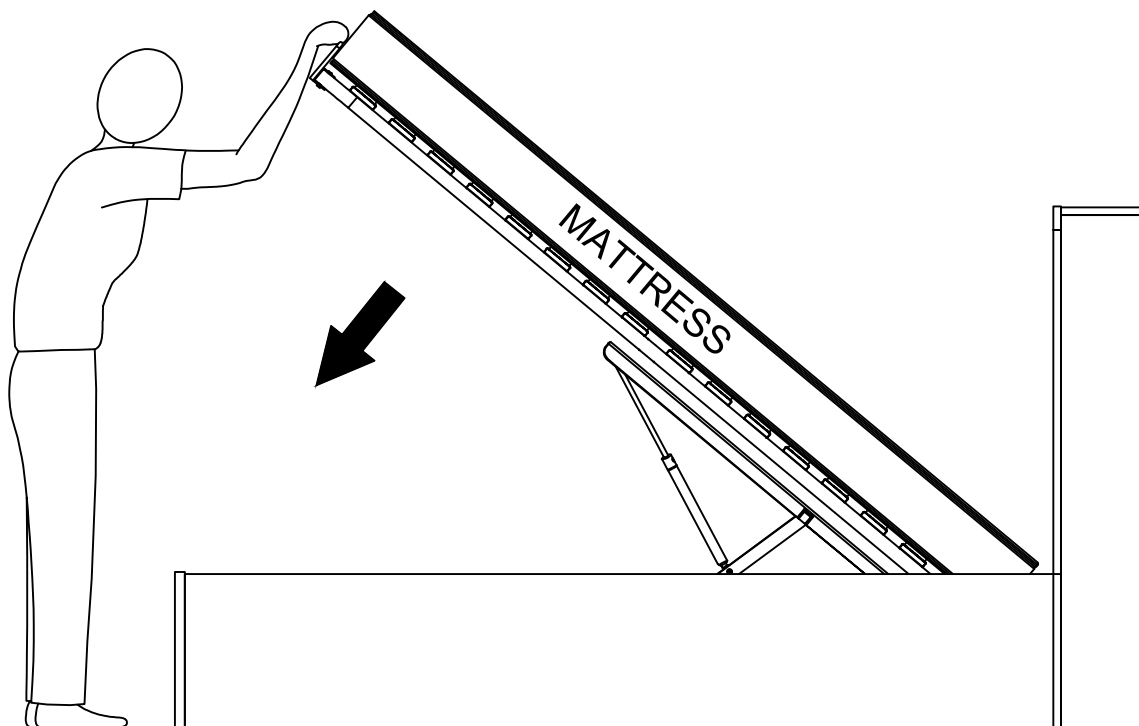


" IMPORTANT NOTE "

WHEN THE BED IS BUILT AND THE MATTRESS FRAME IS AT 45 DEGREE ANGLE PLEASE PLACE THE MATTRESS ON THE BED.

PLEASE NOTE THAT THE WEIGHT OF THE MATTRESS IS REQUIRED TO HELP CLOSE THE BED.

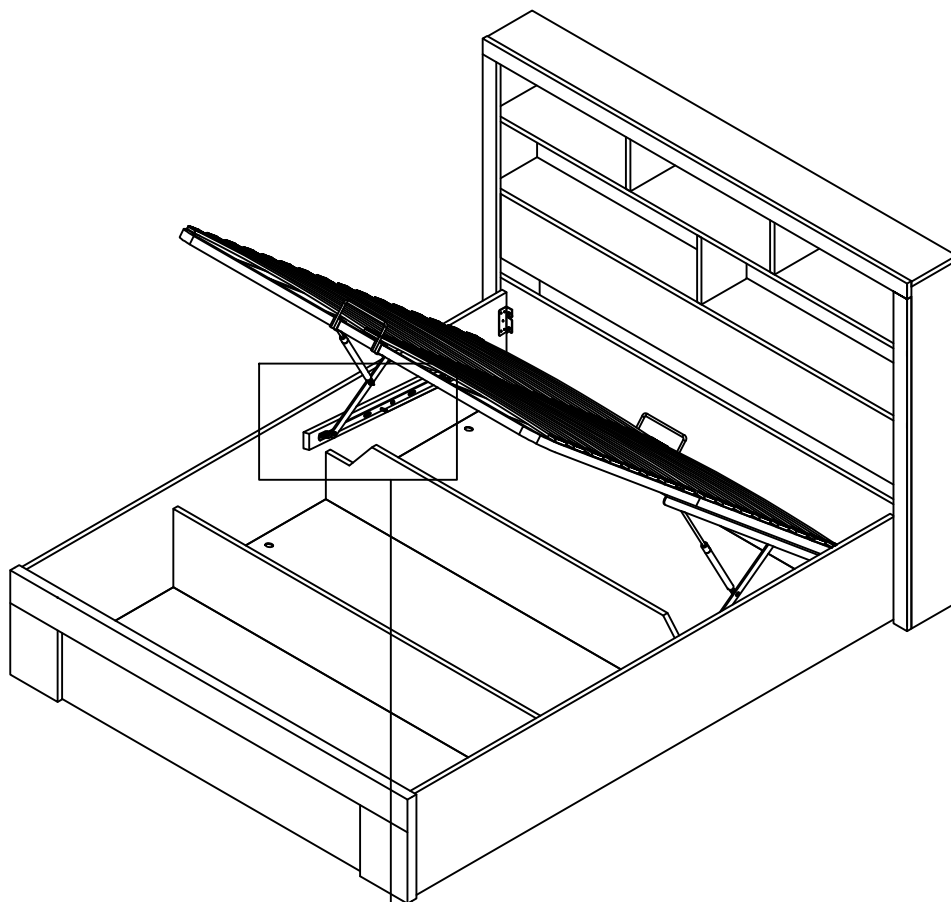
TO LOWER THE SLEEPING PLATFORM STAND AT THE SIDE RAIL OF THE BED AND PUSH SHARPLY DOWNWARDS USING BOTH HANDS.



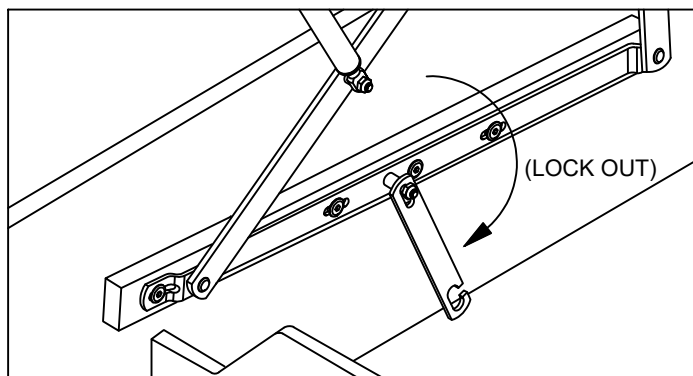
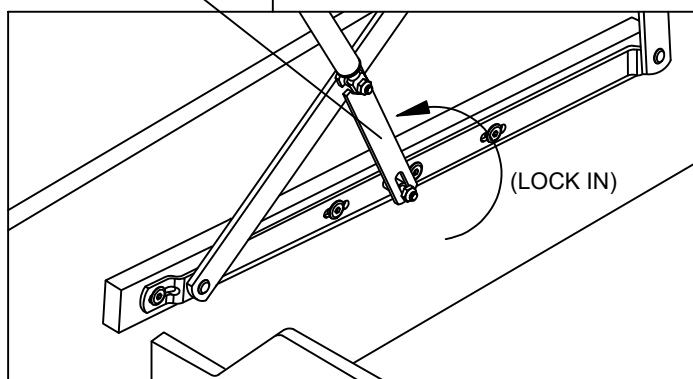
WARNING: Take care when assembling the base. Assemble the ottoman as closed to its final position. The Ottoman has a powerful, mechanism and after assembly should only be opened when the mattress is in place.

CAUTION :

PLEASE USE HYDRAULIC PUMP STOPPER FOR SAFETY PURPOSE



HYDRAULIC PUMP STOPPER



General Care

Wipe clean with a slightly damp soft cloth.

Avoid the use of all household cleaners and abrasives.

When moving your furniture, carefully lift into place. never drag or push the pieces across the floor as this will cause damage to the joints and could result in failure to the product that will invalidate the warranty.

Recommendations

Periodical re-tightening of fixings.

Warning

This bed frame is heavy. Please use an assistant when lifting.

Notes

We've tried to make this bed frame as easy to assemble as possible. In the unlikely event that you have problems putting it together or damaged or missing pieces, please contact your retailer directly you purchased it from who will be able to resolve any issue.

Important for Ottoman and other gas lift beds

Please follow these final steps to ensure the best experience with your new bed

- Please ensure the pistons are fitted to the bed frame.
- Please place the mattress on top of the bed frame.
- Standing at the foot of the frame (looking at the headboard) open the base and the press quite forcefully down on the mattress - please do not attempt to do this without the mattress being in place.
- Please do not pull on the strap handles.
- Please note as the pistons are full of gas - you will need to press heavily to release the compressed gas.
- Once done the pistons should start operating as normal.



Please dispose of all packaging safely.

General Care & Maintenance

Wipe clean with a slightly damp cloth.
Avoid the use of all household cleaners and abrasives.

Periodically check all screw & fixings to ensure they are secure.

When moving your product, carefully lift into place. Never drag or push the product across the floor as this will cause damage to the joints. If the product is used on hard flooring, such as wood or laminated floor, you must place some protection under the legs to stop the product from moving. If this is not adhered to, it could result in failure to the product that will invalidate the warranty.

For more information on cleaning and product care visit:
<https://www.happybeds.co.uk/help-and-advice>

Notes

In the unlikely event that you have problems putting this product together or have damaged or missing parts, please contact us by visiting:
<https://www.happybeds.co.uk/customer-service>