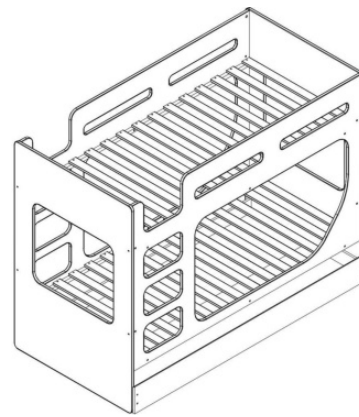


**OPTION A**

**OR**

**OPTION B**



## **Assembly Instructions**

### **Important before assembly:**

Read these instructions carefully before assembling or using the product.

Please check the contents of the boxes before attempting to assemble this product. The instructions will have a checklist of parts and fittings.

Assemble the product as close to its intended final location/room as possible.

### **Health & Safety:**

This product or some parts of this product will be heavy. Please use an assistant when lifting.

Please keep small parts out of reach of children.

Always use on a level, even surface.

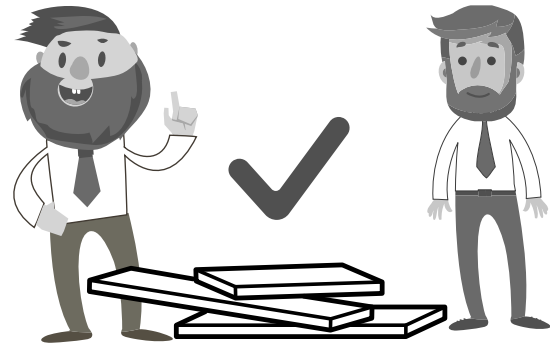
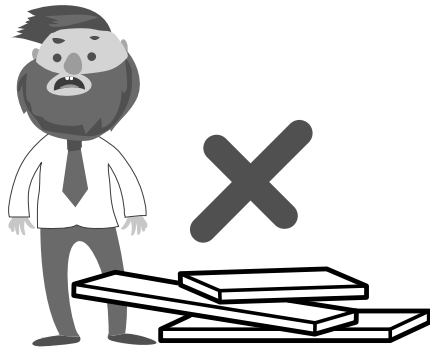
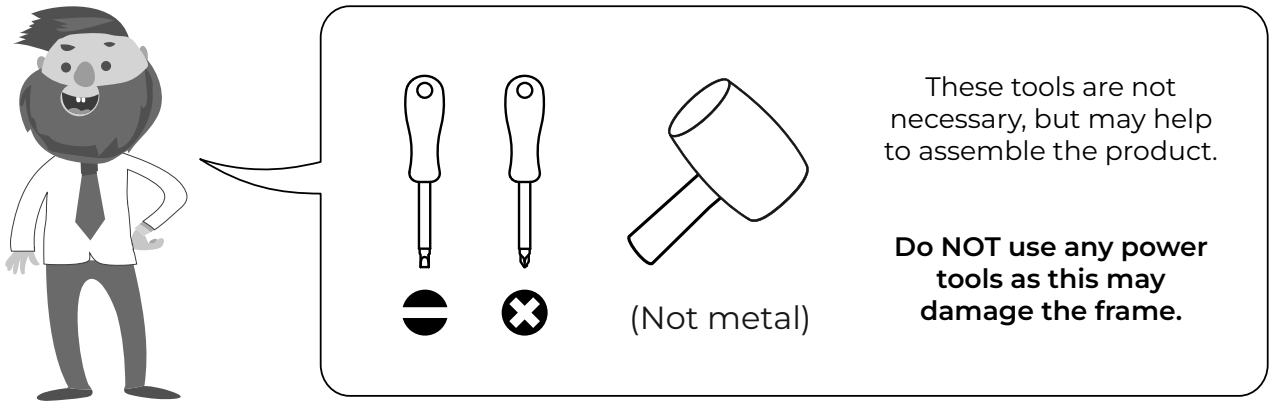
DO NOT jump on the product or any of its parts.

DO NOT use this product if any parts are missing, damaged or worn.

DO NOT use this product unless all fixings are secured.

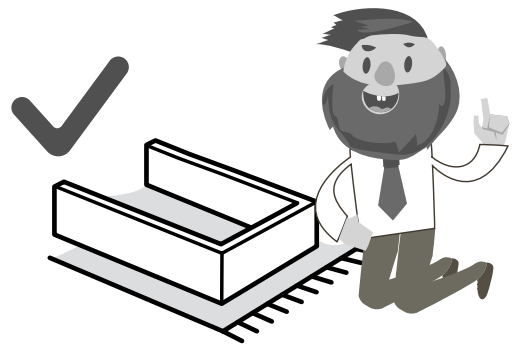
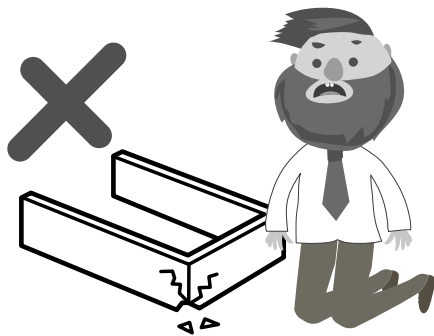
**Further instructions are on the following pages.**

Please keep these instructions for future reference.



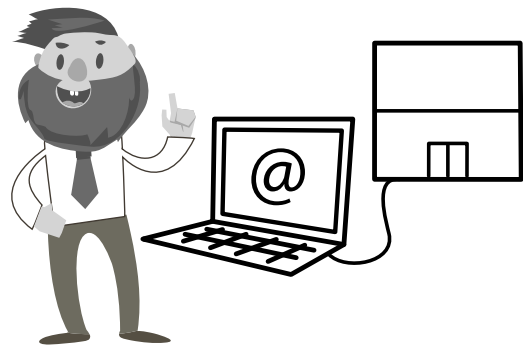
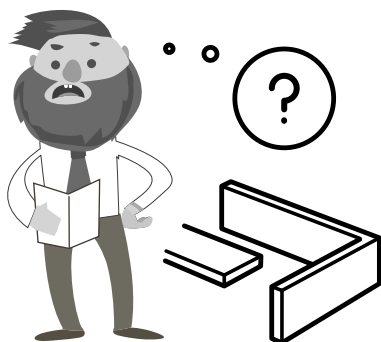
This product or some parts of this product will be heavy. Please use an assistant when lifting.

---



Never drag or push the pieces across a hard or stone floor as this will cause damage to the joints. Use a carpet or a rug for extra care.

---



If you have problems assembling or have damaged or missing pieces, please contact our customer services (details at the back of these instructions)



## **Important for High Sleepers, Bunk Beds and Children's Beds**

### **Warning:**

High sleepers and the upper tier of bunk beds are not suitable for children under 6 years of age due to risk of injury from falls.

High Sleepers and Bunk Beds present a risk of injury from strangulation if used incorrectly. Never attach or hang anything on any part of the bed that is not designed to be used with the bed, for example, but not limited to ropes, strings, cords, hooks, belts and bags.

Children can become trapped between the bed and the wall, a roof pitch, the ceiling and other pieces of furniture (e.g. wardrobes). To avoid risk of serious injury, the distance between the top safety barrier and any adjoining structure shall not exceed 75mm or shall be more than 230mm.

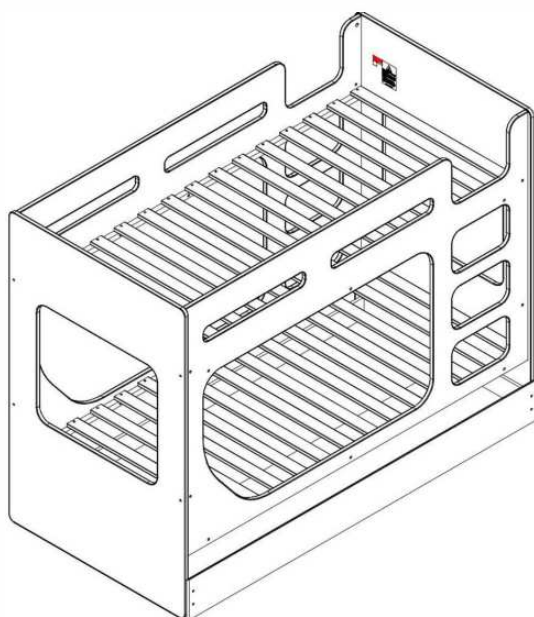
Maximum thickness of a mattress on the top tier is 18cm. Please refer to the label or marking on the headboard.

This bed has been tested by an independent laboratory and is in compliance with BS EN 747-1 : 2012+A1:2015 - Standard Consumer Safety specification for bunk beds & high sleepers.

---

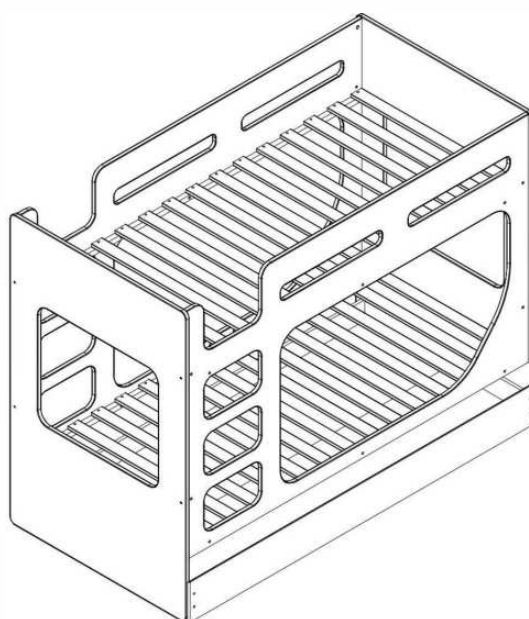
## ASSEMBLY INSTRUCTIONS

Dimensions (LxWxH): 196.6cm x 99.3cm x 151.3cm  
Version Reference: 20210910



**OPTION A**

**OR**



**OPTION B**

BEFORE STARTING ASSEMBLY, DECIDE ON WHICH SIDE THE BED SHOULD OPEN.  
DURING ASSEMBLY FOLLOW THE INSTRUCTIONS RELEVANT TO THE OPTION CHOSEN.

IMPORTANT: Please read the instructions in full before assembly and keep for future reference.



- Make sure that you have plenty of space and a clean, dry area for assembly.
- Due to the size of this product we recommend that it is assembled in the room intended for use.
- Unwrap all packaging materials and place the components on top of the carton box or on a clean floor to prevent scratching.
- Check the parts and fittings received to ensure you have everything listed.
- To avoid the risk of suffocation to children and animals, dispose of plastic bags immediately.
- Keep all fittings out of the reach of children during assembly.
- Do not use power tools to construct this product, as their use could make the product unsafe and will invalidate the warranty.
- The fittings should only be fully tightened when you have finished assembly, or where instructed in the manual.
- Do not over tighten screws or bolts.
- The fixings should be regularly checked and tightened as necessary.
- If fixings are found to be damaged or missing, they must be replaced before further use of the product.
- Do not use scourers, abrasives (including washing powders), bleach or solvent based cleaners as they can bleach or damage the product.

---

Should your product be faulty or have missing parts then please contact our customer services department who will be happy to assist you, please have your order number and batch code or date stamp ready.

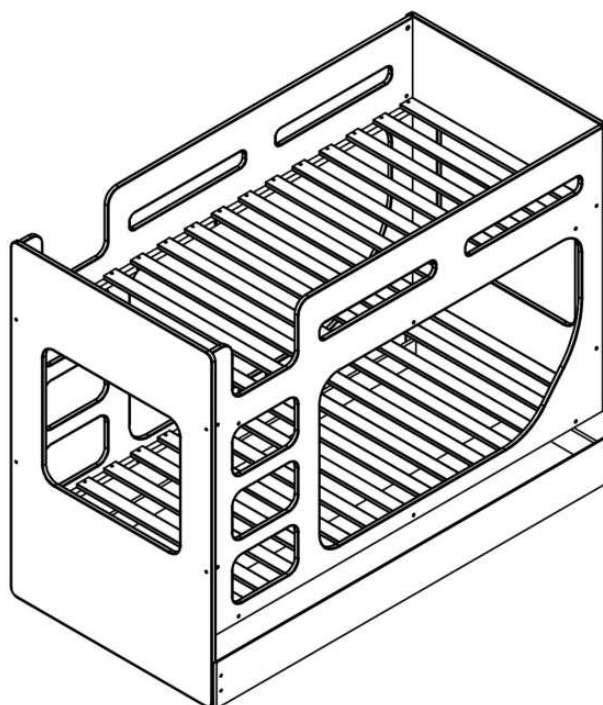
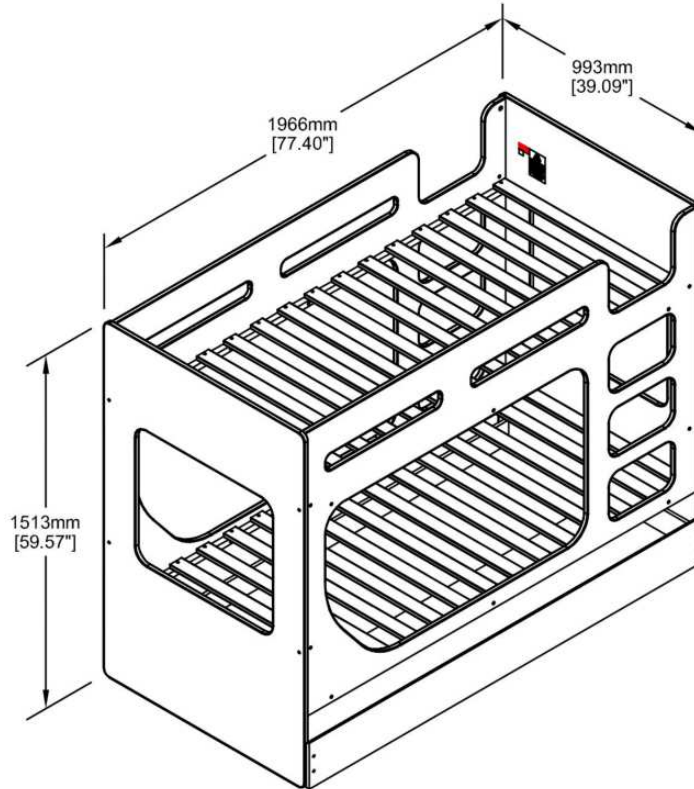


CUSTOMER SERVICES 0871 984 1924

BUY IT DIRECT ASSEMBLY INSTRUCTIONS  
CALL US FOR ASSISTANCE: 0871 984 1924  
PAGE 2 OF 18

# Product Size : 920mm x 1930mm (Base Int Size)

Thank you for purchasing this product. Before starting assembly we suggest you spend a short time reading through this leaflet, then follow the simple step by step guide. Two people are needed to assemble this product.





# Product Size : 920mm x 1930mm (Base Int Size)

## TOP TIPS BEFORE YOU START !

1. Please check that all parts & hardware are present before you start the assembly of your furniture.
2. For ease and speed of assembly, we recommend that before you commence each step of the assembly, Please identify all the parts required for that step.
3. We recommend that where possible, all items are assembled near to the area in which they will be placed in use, to avoid moving the product unnecessarily once assembled.
4. For the protection of your furniture, particularly items of high gloss finish, we recommend that the product is placed on a Protected surface during assembly to prevent any damage.
5. During assembly please take care not to over-tighten any fittings, as this may damage the product.

## IMPORTANT- READ CAREFULLY- RETAIN FOR FUTURE REFERENCE

## CARE AND MAINTENANCE OF YOUR FURNITURE

- Please periodically check all fittings and re-tighten as necessary.
- To clean your item, please use a damp cloth and wipe clean.
- Never allow any kind of liquid to remain on your furniture. Absorption can cause wood to warp or finishes to de-laminate.
- Please do not place hot items (e.g hot drinks) directly on the wood surface.
- Please do not drag or pull your furniture.

## IMPORTANT INFORMATION

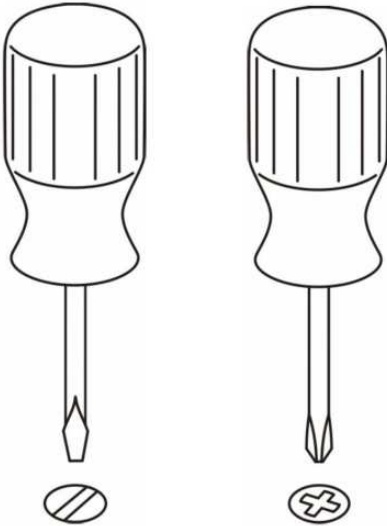
1. Thickness of mattress should not exceed 180mm.
2. Children should be discouraged from playing on top of this bunk bed.
3. The bunk bed should be checked periodically by the owner to ensure that the guardrail, ladder, and other components are maintained in the correct position and state of repair and that all connectors are tight.
4. A bunk bed is not to be placed near a ceiling fan unless the distance between the closest points on the ceiling fan bunk. Bed is at least 2 metres.
5. Use guardrails on both sides of upper bunk.
6. Prohibit horseplay on or under bed(s).
7. Prohibit more than one person on upper bunk.
8. Use Ladder for entering and leaving upper bunk.
9. If the bunk bed will be placed next to the wall, the guardrail that runs the full length of the bed should be placed against The wall to prevent entrapment between the bed and the wall.
10. **WARNING** Do not use the bunk bed/high bed if any structural part is broken or missing.
11. Ventilation of the room is necessary in order to keep the humidity low and to prevent mould in and around the bed.
12. **WARNING** "high beds & the upper bed of bunk beds are not suitable for children under six years due to risk of injury from falls";
13. **WARNING** "children can become trapped between the bed & the wall, a roof pitch, the ceiling, adjoining pieces of furniture (e.g.cupboard) and the like. To avoid risk of serious injury the distance between the top safety barrier and the adjoining structure shall not exceed 75mm nor shall be more than 230mm";
14. This child bed conforms to BS EN 747-1 : 2012 + A1 : 2015 & BS EN 747-2 : 2012 + A1 : 2015, "Furniture - Bunk beds and high beds".
15. Always follow the manufacturer's instructions.
16. A statement that ventilation of the room is necessary in order to keep the humidity low and to prevent mould in and around the bed.
17. All bunk beds and high beds intended to be assembled by other than the manufacturer or his/her representative shall include assembly instructions including a list of the parts supplied and details of any tools required to assemble the bed.

## STRANGULATION HAZARD:

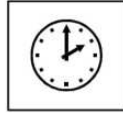
18. Never attach or hang items to any part of the bunk bed that are not designed for use with the bed for example, but not limited to hook, belt and jump ropes.

# Guide To Assembly

## Tools Required For Assembly



DO NOT USE POWER TOOLS TO ASSEMBLE THIS PRODUCT. USE OF POWER TOOLS WILL INVALIDATE ANY CLAIM AND MAY DAMAGE THIS PRODUCT MAKING IT UNSAFE.

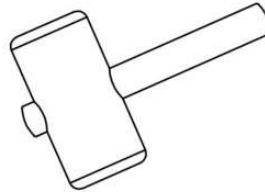


Approximately 1 hour 30 min

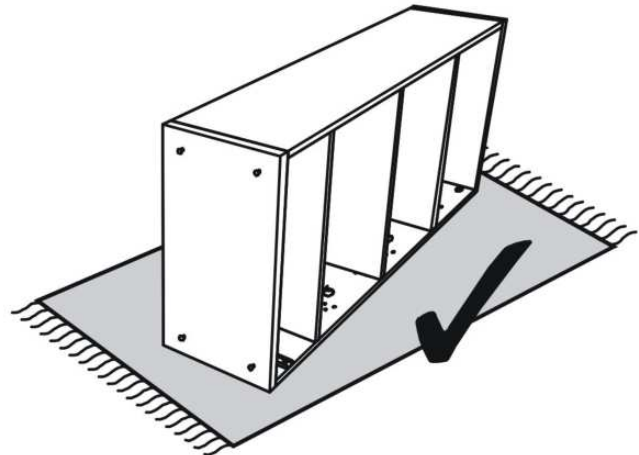
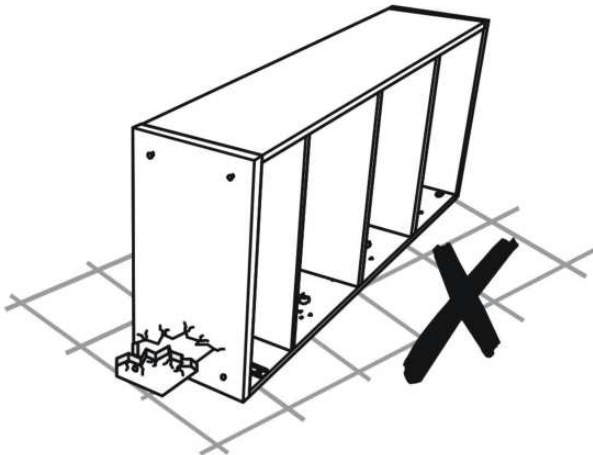
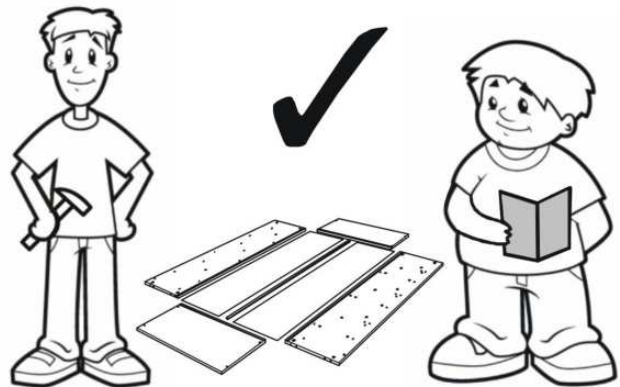
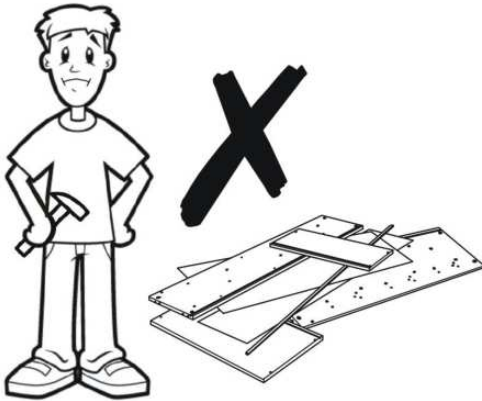
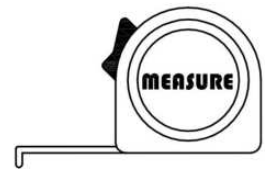


2 People Required

Rubber Hammer



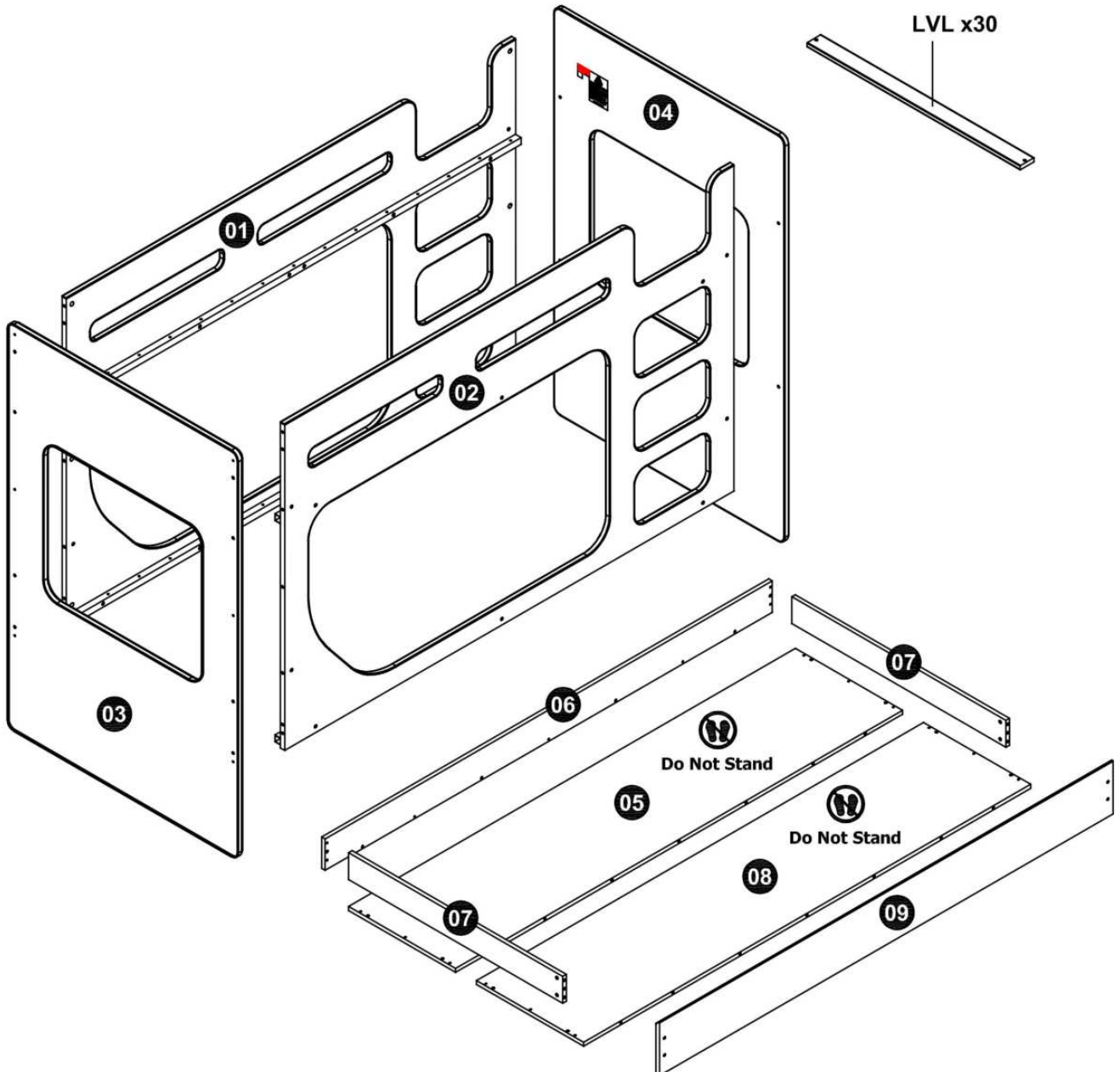
Tape Measure



















# Part List

Carton 1 of 4			Carton 2 of 4		
No.	Part Name	Pcs	No.	Part Name	Pcs
05	Bottom Panel (Trundle)	1	03	Left End Panel	1
06	Back Panel (Trundle)	1	04	Right End Panel	1
07	L & R Panel (Trundle)	2	Carton 3 of 4		
08	Bottom Panel (Trundle)	1	01	Left Panel	1
09	Front Panel (Trundle)	1	02	Right Panel	1
			Carton 4 of 4		
				LVL Slats	30
<b>Assembly Instructions + Fitting List</b>					



# Fitting List

Carton 4 of 4			
Fitting List			
No.	Part Name		Pcs
A	Cam Stud (small)		15
B	Cam		18
C	Contractfix Dowel		3
D	M8 x 25mm Wood Dowel		32
E	45mm Chipboard Screw		19
F	14mm Chipboard Screw		24
G	40mm White Nylon Castor		12
H	M6 x 13mm Baller		3
J	M6 Round Nut		12
K	M6 x 50mm Allen Bolt		4
M	M6 x 30mm Allen Bolt		60
P	Allen Wrench		2
Q	Sticker 25mm		12
R	M6 x 55mm Allen Bolt		8

## Caution

There are many small components used in the construction of this unit. These loose items should be kept away from young children whilst assembling your unit. As an extra precaution, screw cover caps should be permanently fixed in position. (Where applicable)

## USEFUL HINTS & TIPS

Two people will be required to assemble this unit

Please keep this assembly instruction for future reference

# Guide To Assembly

1



A x 3



B x 3



C x 3



D x 18



H x 3

**WHEN FITTING CAM STUD**  
ENSURE THE CAM STUD IS FULLY TIGHTEN IN

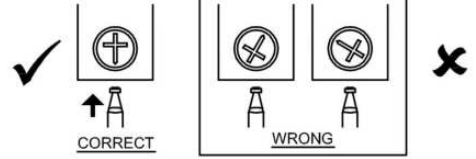


CORRECT

WRONG

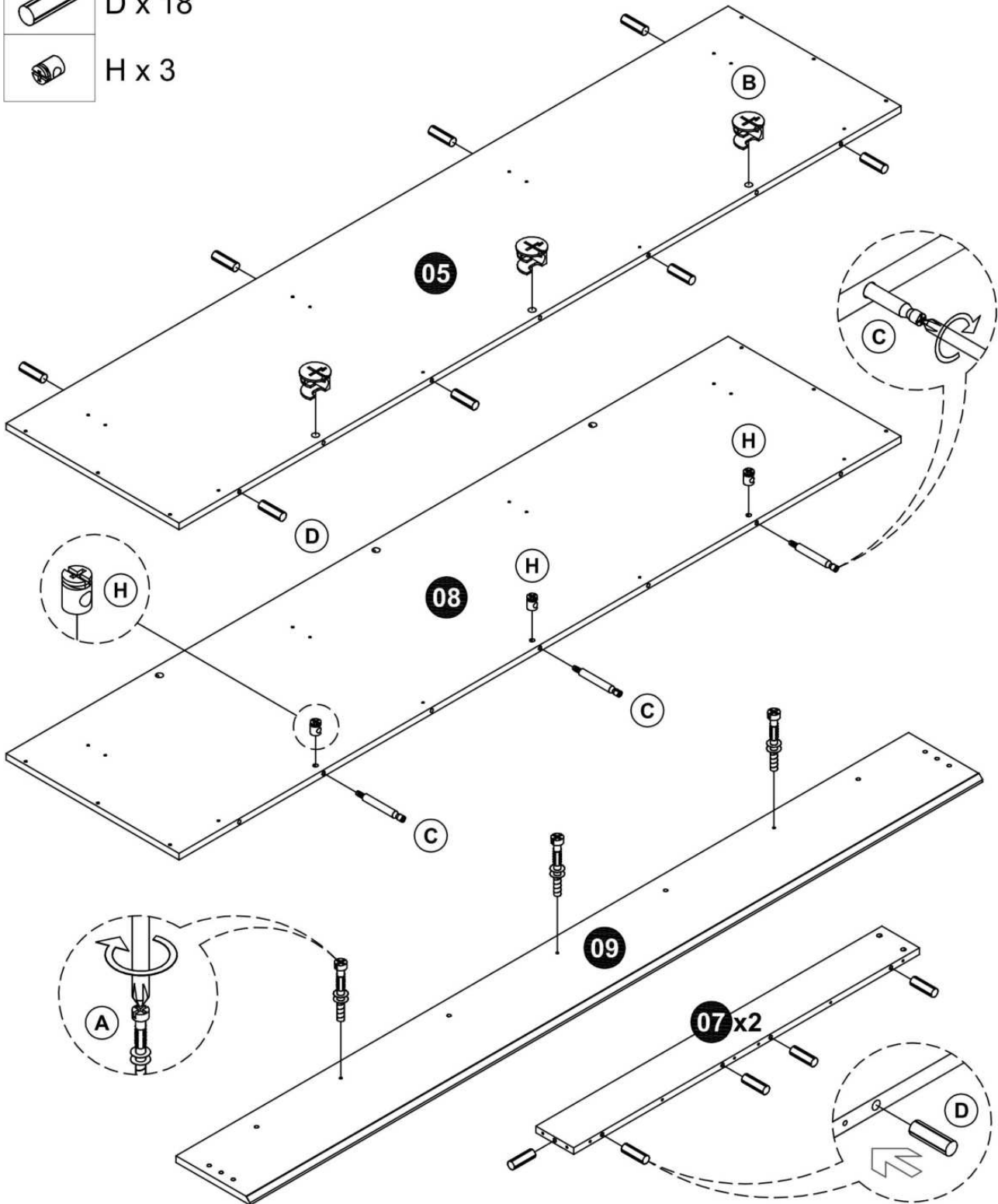
**WHEN FITTING CAMS**

ENSURE STARTING POSITION IS CORRECT  
BEFORE YOU INSERT CONNECTING BOLT  
TURN CLOCKWISE UNTIL SECURE



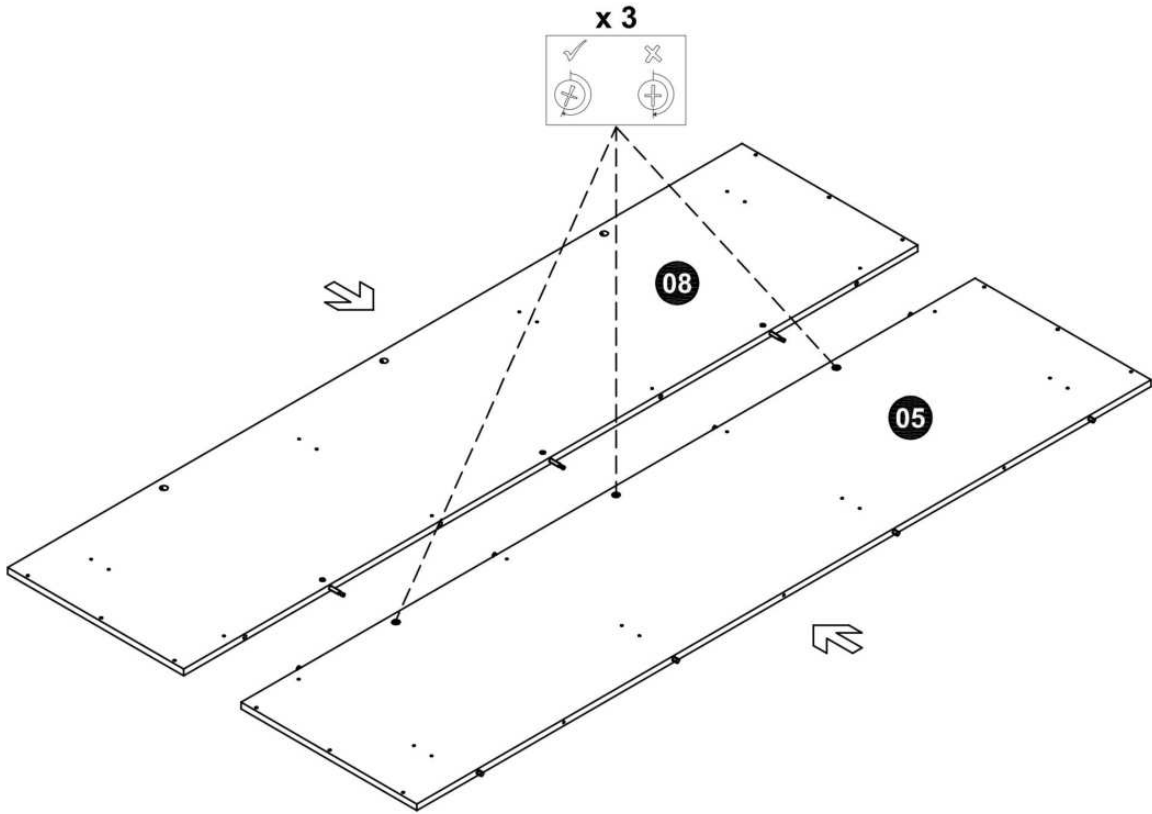
CORRECT

WRONG



# Guide To Assembly

2



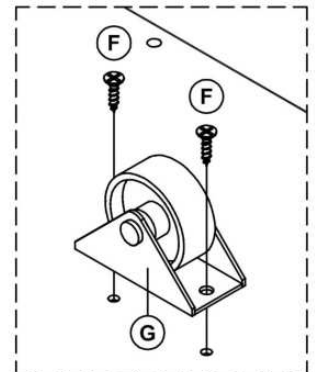
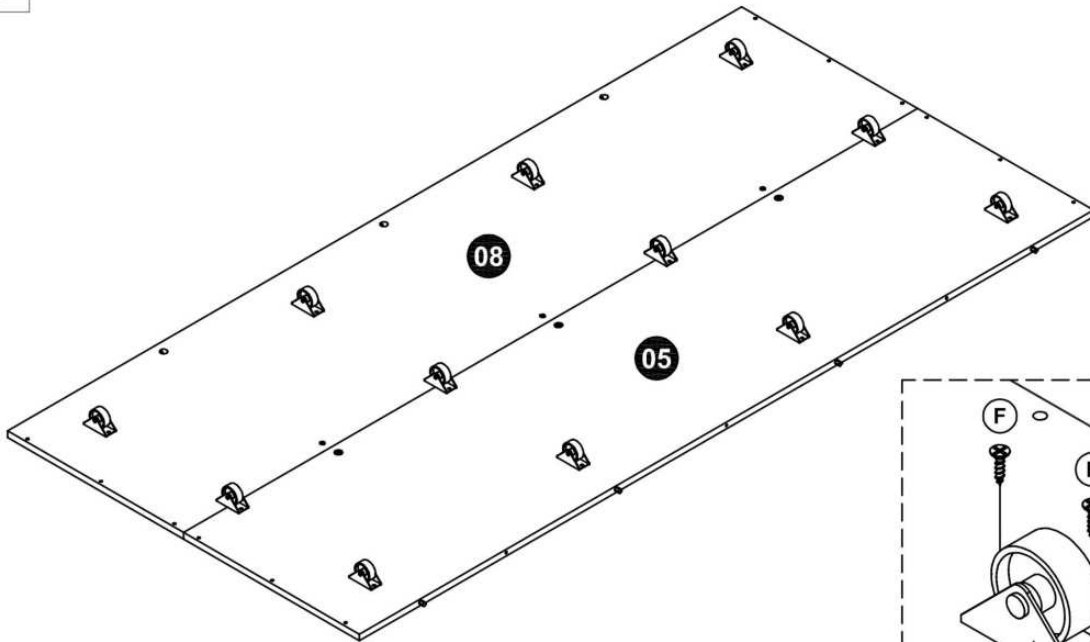
3



F x 24



G x 12

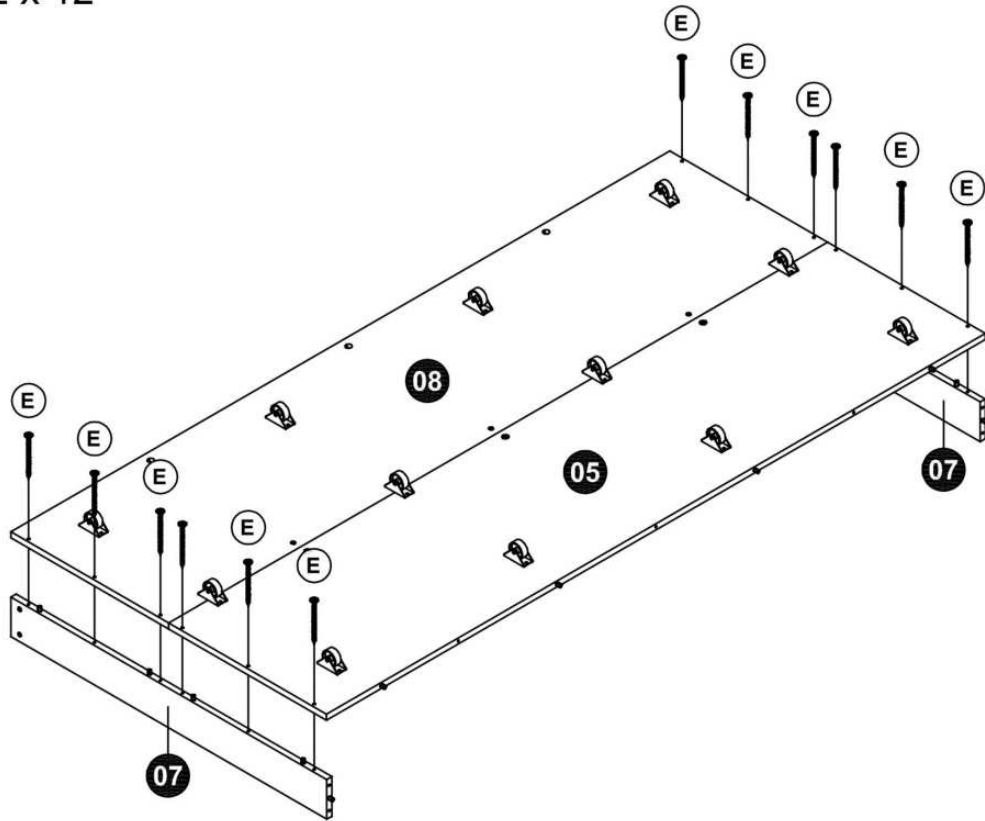


# Guide To Assembly

4



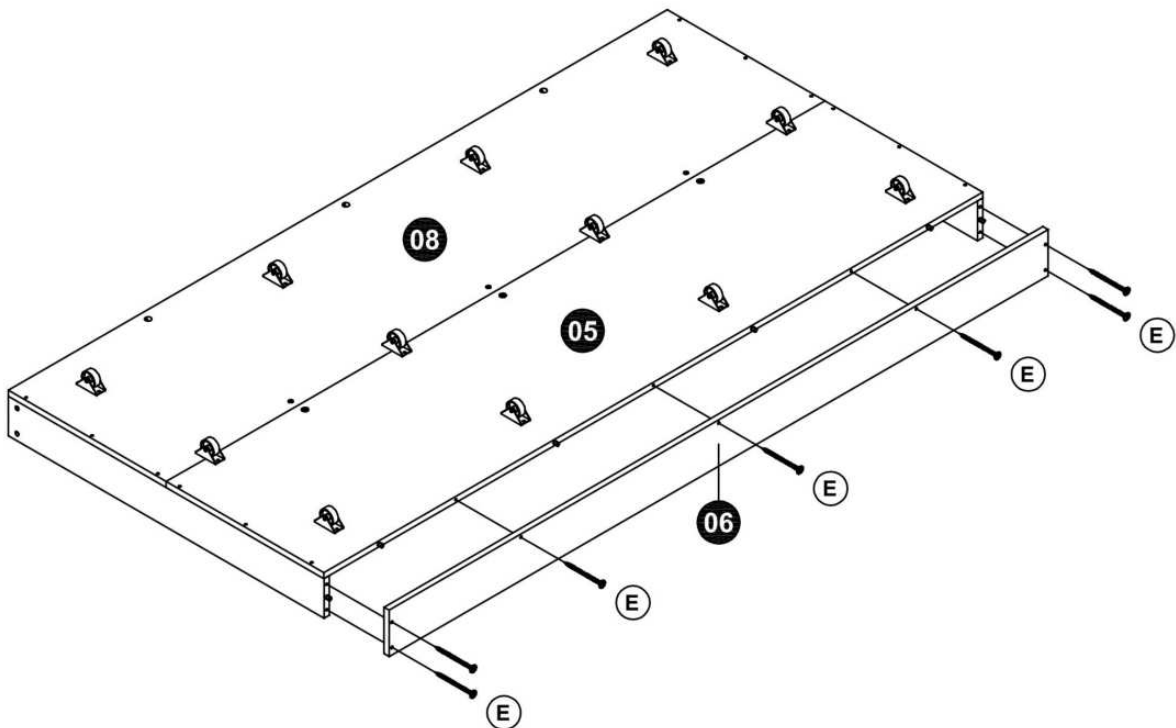
E x 12



5



E x 7





# Guide To Assembly

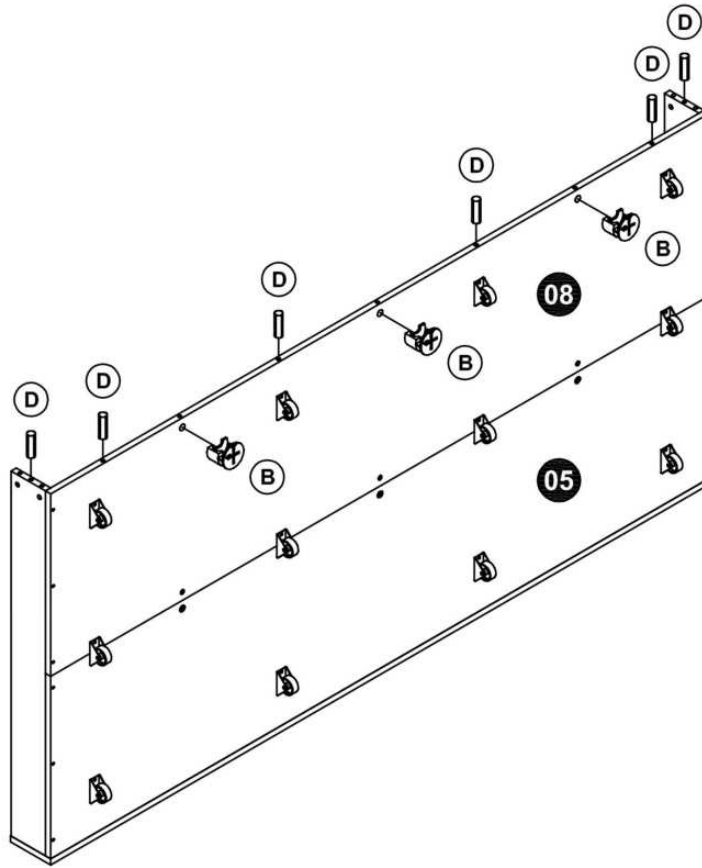
6



B x 3

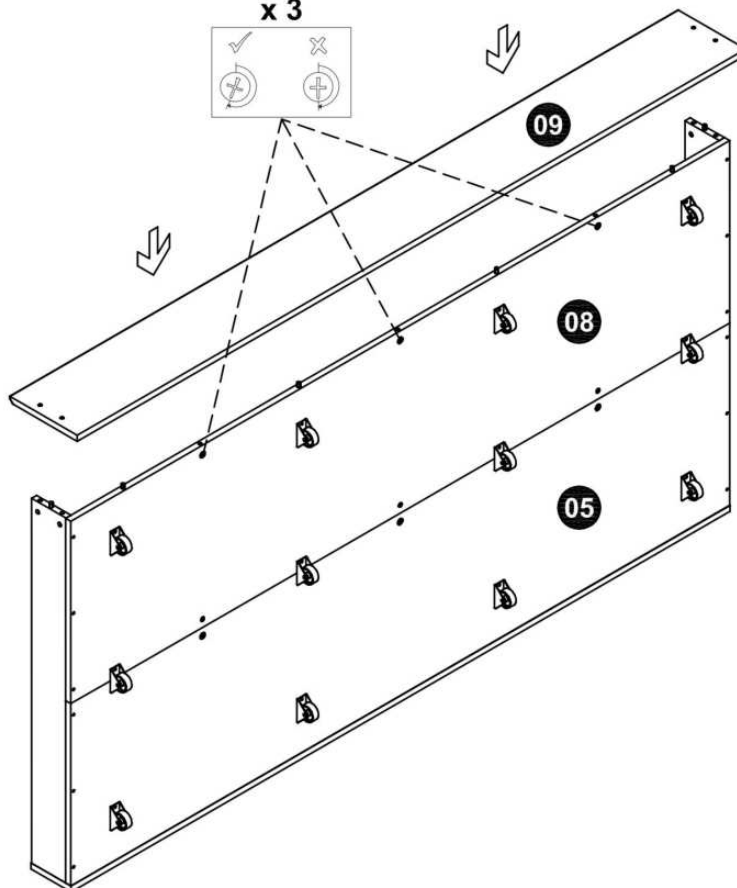
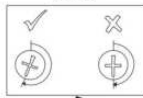


D x 6



7

x 3



# Guide To Assembly

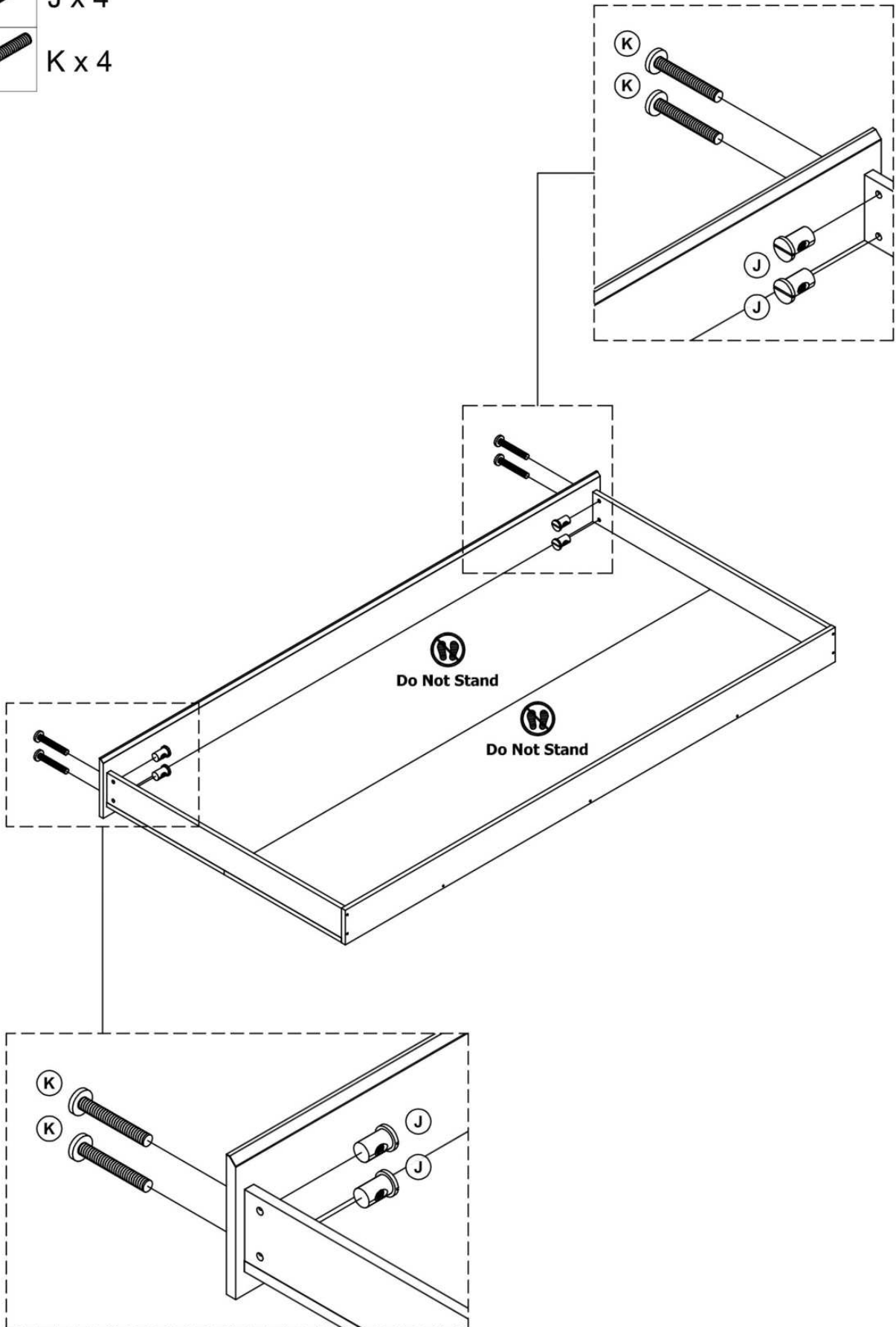
8



J x 4



K x 4



# Guide To Assembly

9



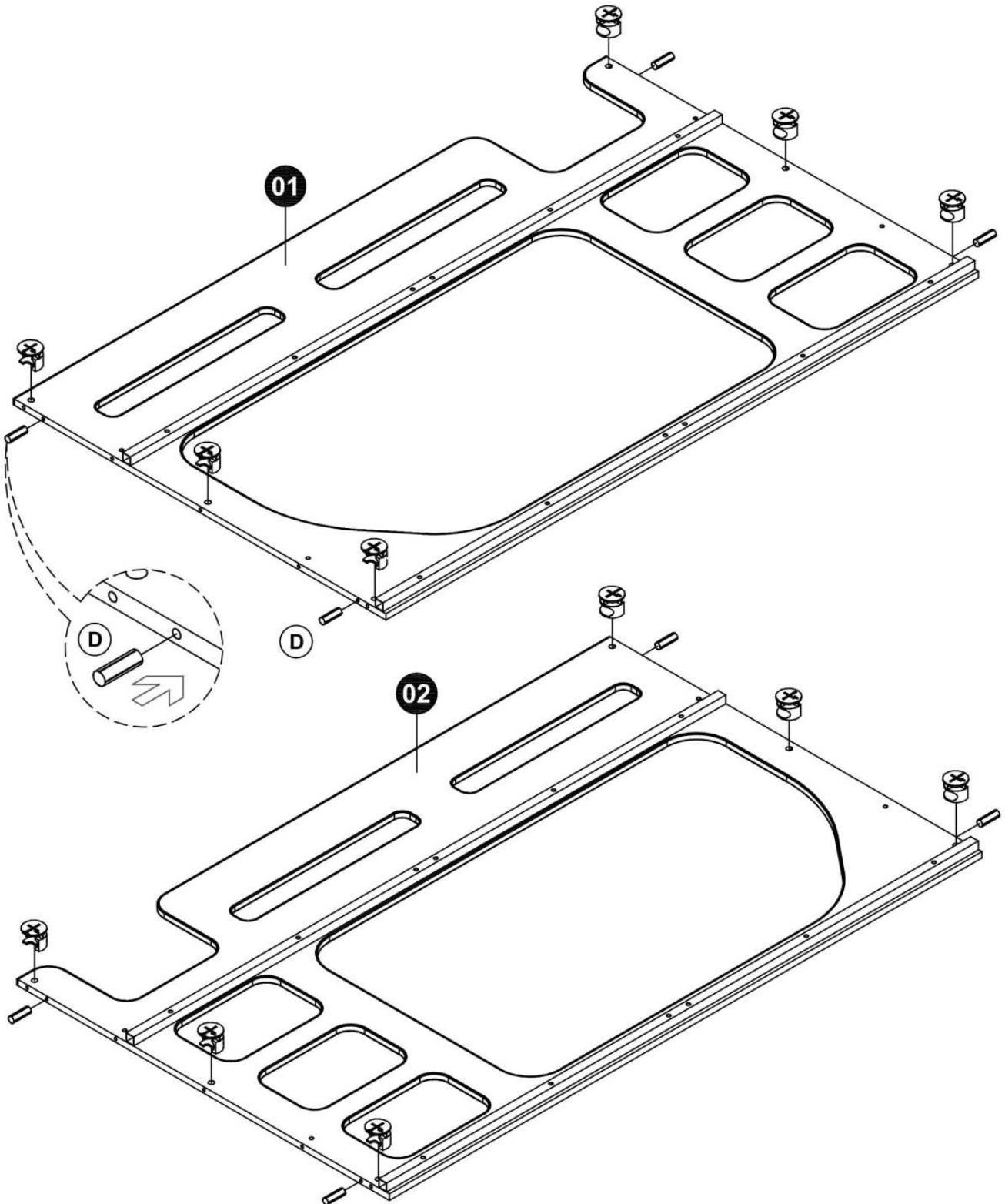
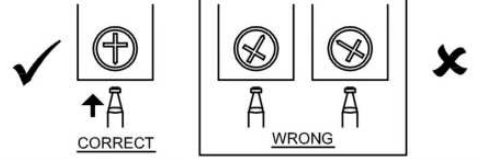
B x 12



D x 8

## WHEN FITTING CAMS

ENSURE STARTING POSITION IS CORRECT  
BEFORE YOU INSERT CONNECTING BOLT  
TURN CLOCKWISE UNTIL SECURE



# Guide To Assembly

10



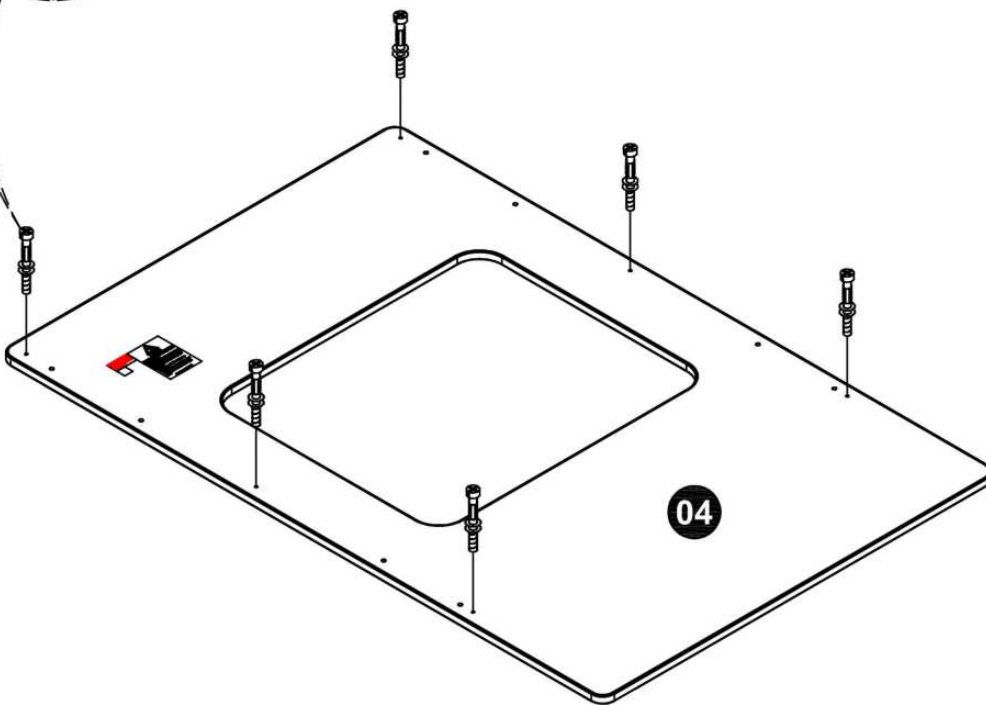
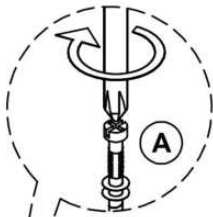
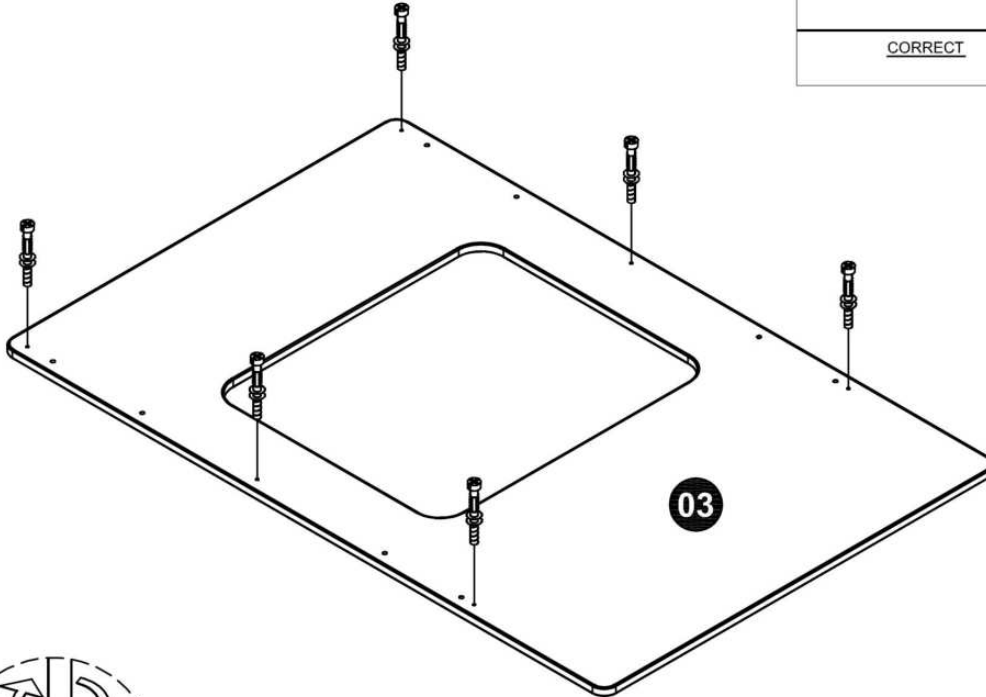
A x 12

**WHEN FITTING CAM STUD**  
ENSURE THE CAM STUD IS FULLY TIGHTEN IN

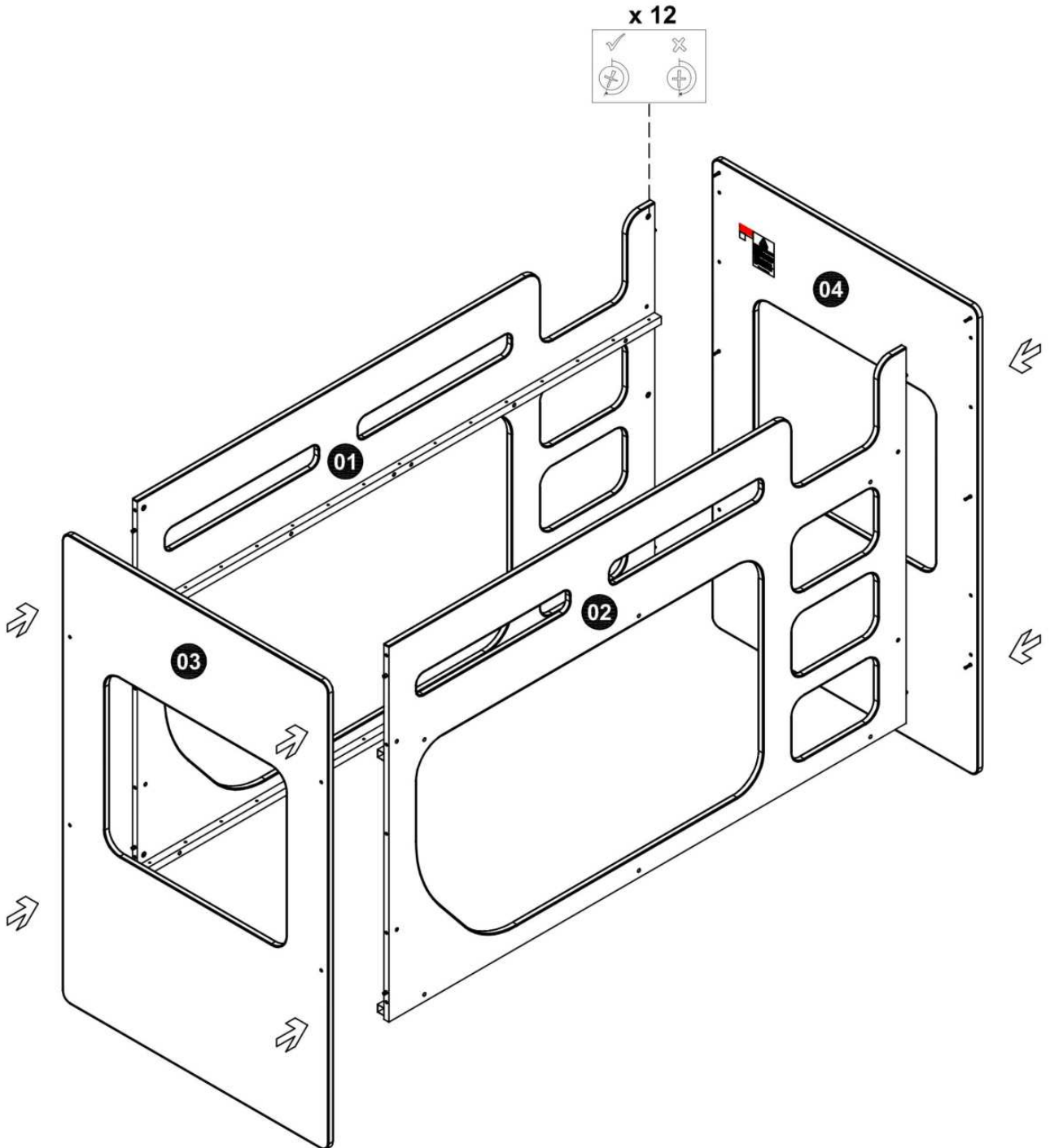


CORRECT

WRONG



11





# Guide To Assembly

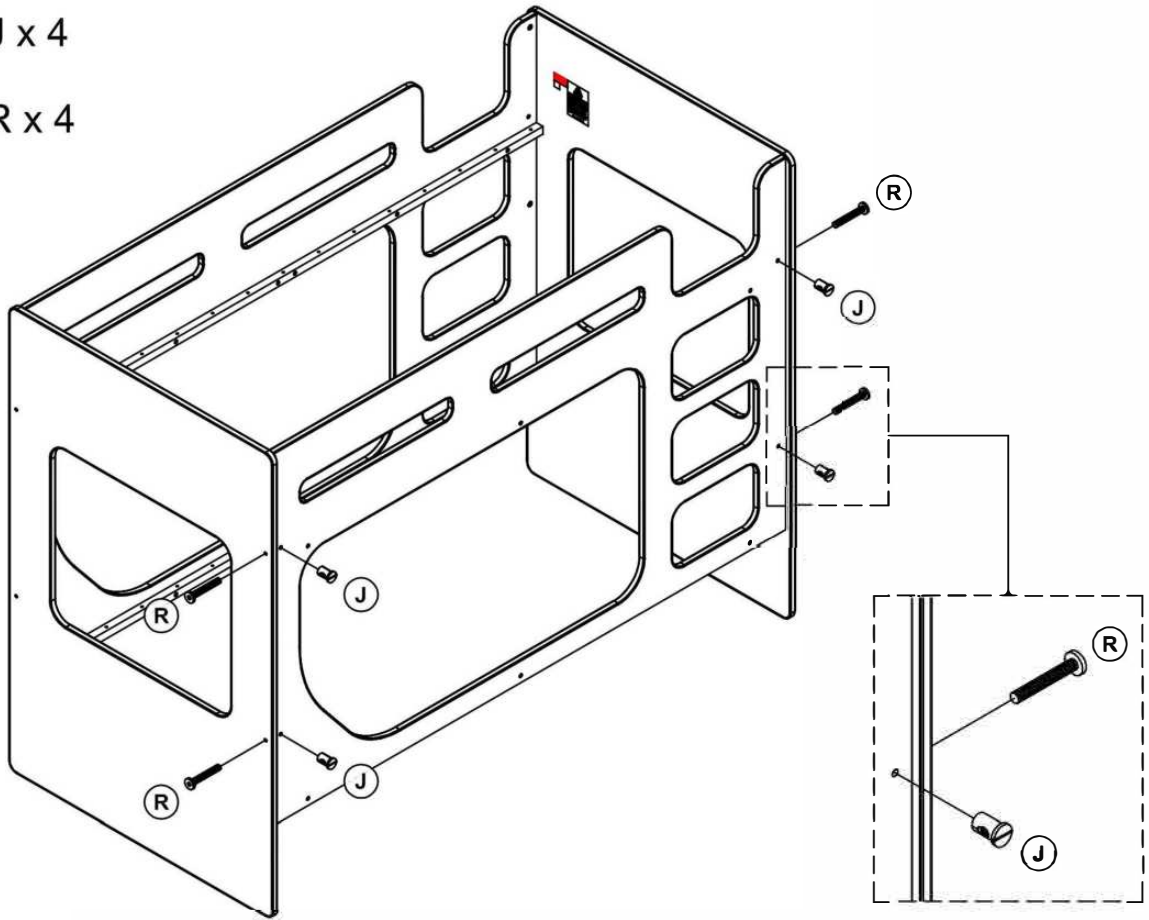
12



J x 4



R x 4



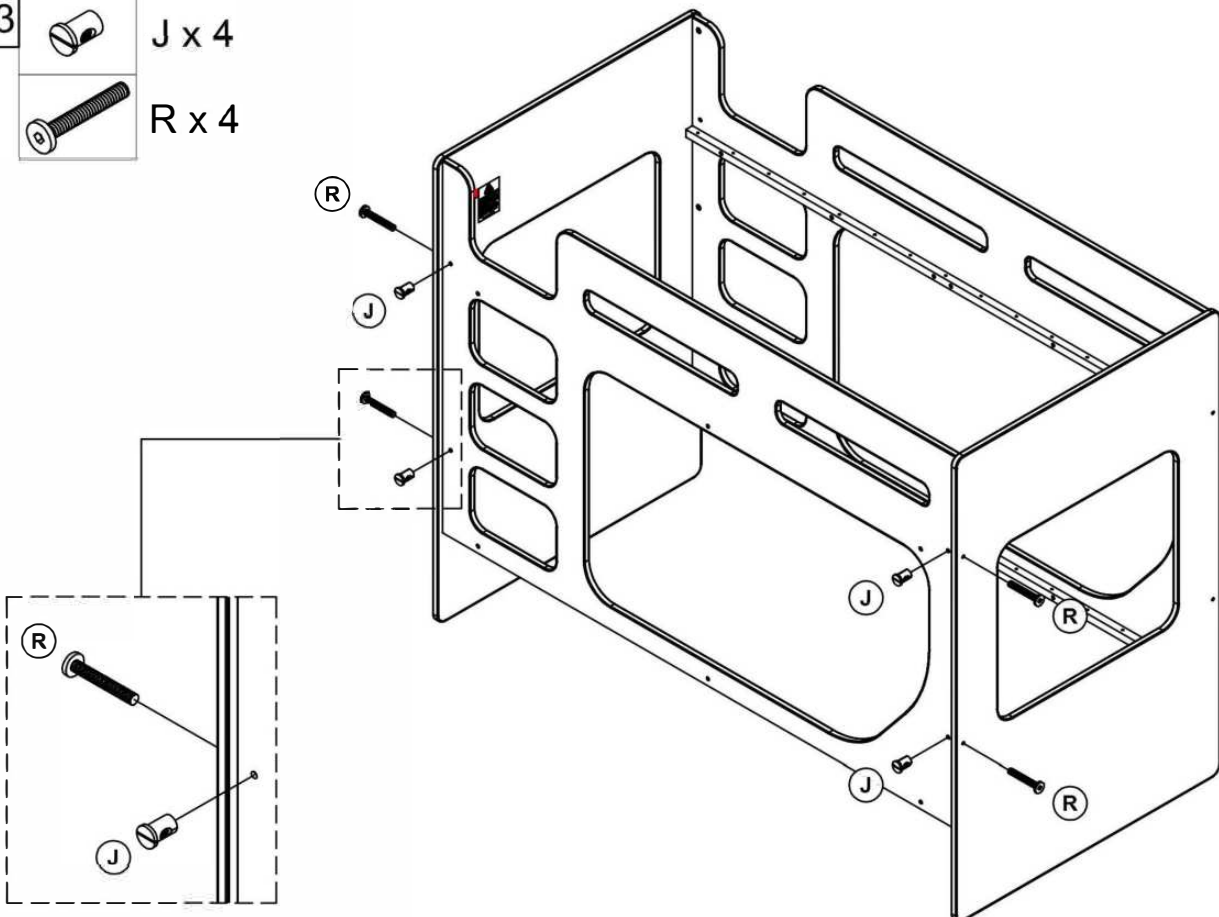
13



J x 4

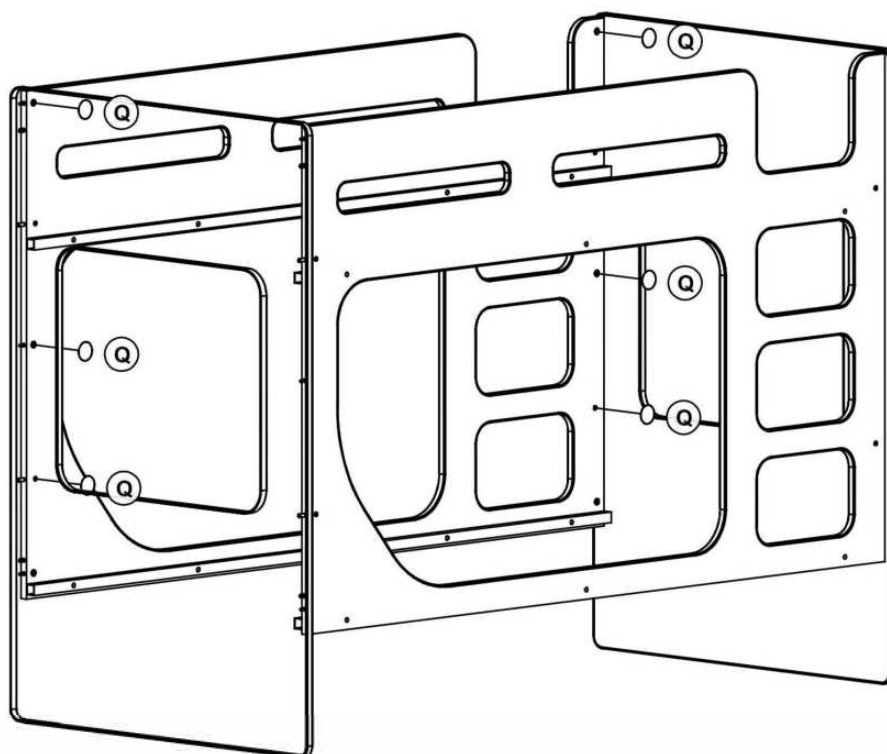


R x 4

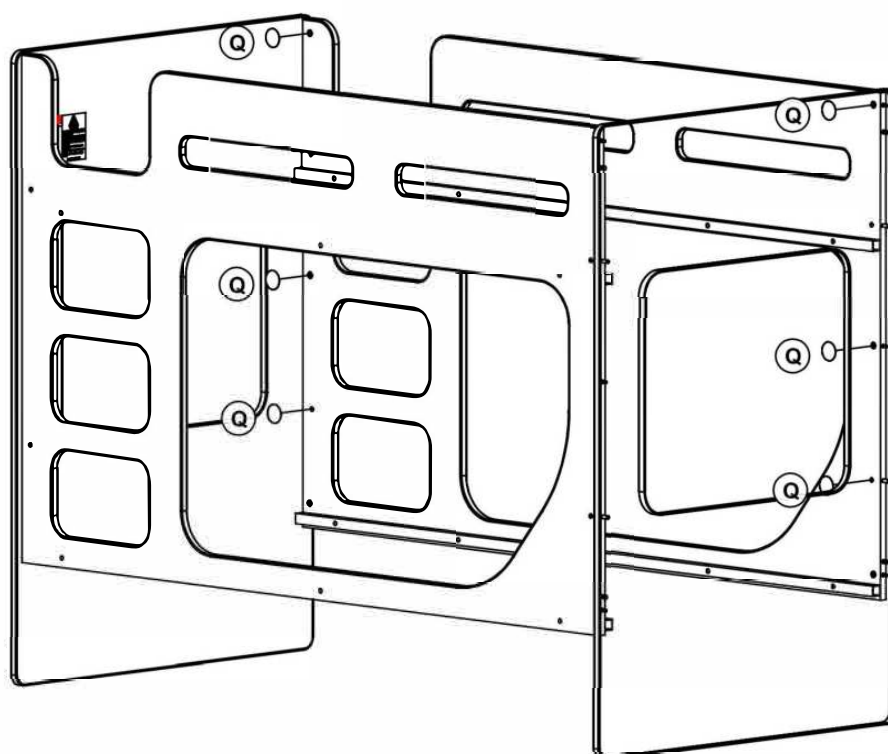


# Guide To Assembly

14 ○ Q x 6



15 ○ Q x 6

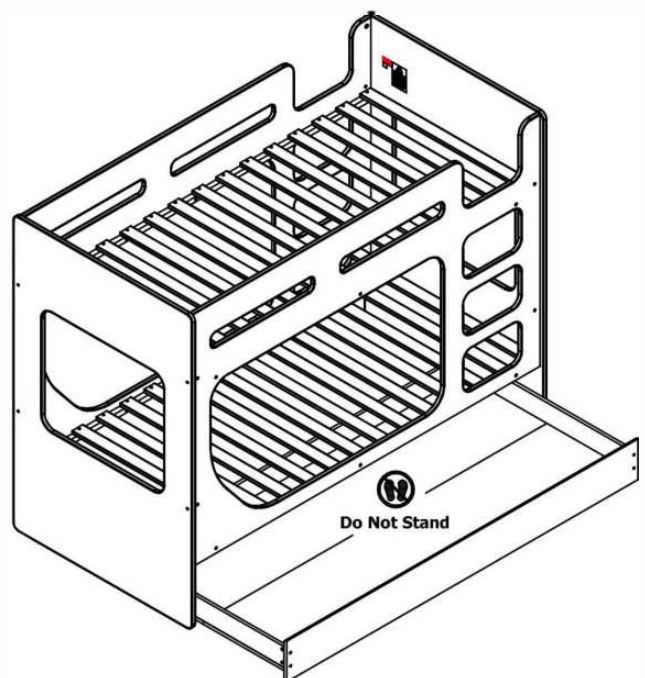
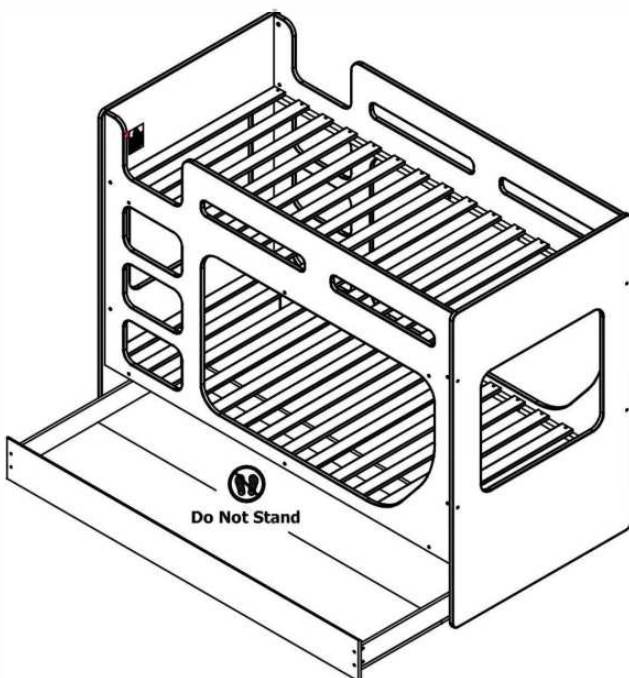
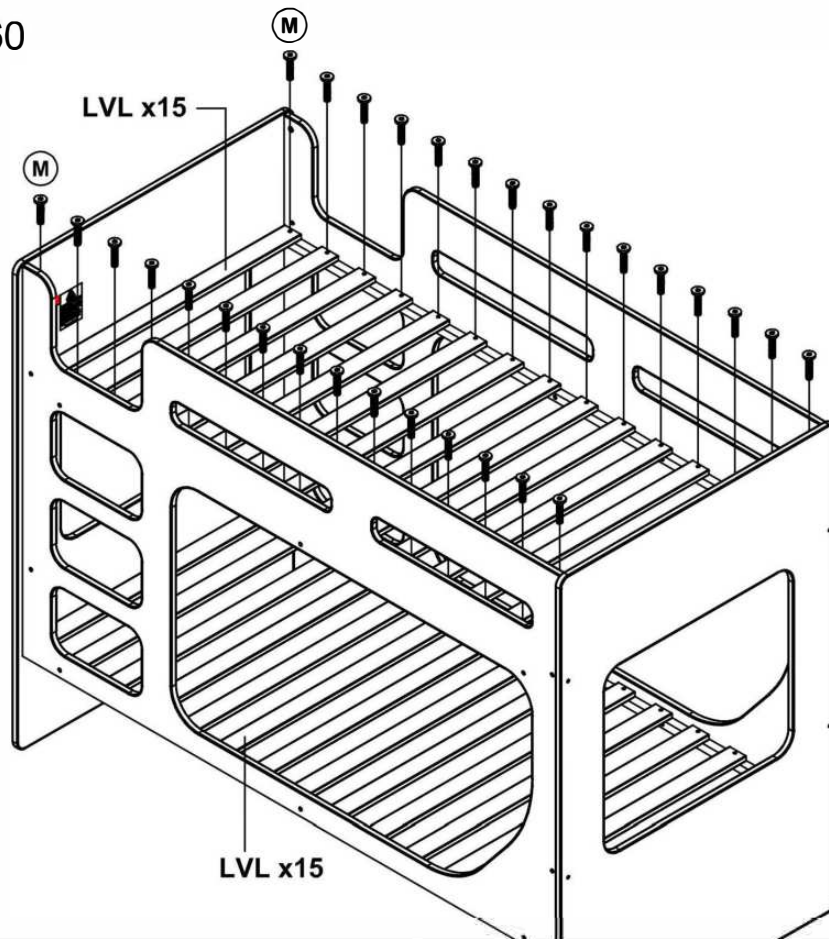


# Guide To Assembly

16



M x 60



Please dispose of all packaging safely.

## General Care & Maintenance

Wipe clean with a slightly damp cloth.  
Avoid the use of all household cleaners and abrasives.

Periodically check all screw & fixings to ensure they are secure.

When moving your product, carefully lift into place. Never drag or push the product across the floor as this will cause damage to the joints. If the product is used on hard flooring, such as wood or laminated floor, you must place some protection under the legs to stop the product from moving. If this is not adhered to, it could result in failure to the product that will invalidate the warranty.

For more information on cleaning and product care visit:  
<https://www.happybeds.co.uk/help-and-advice>

## Notes

In the unlikely event that you have problems putting this product together or have damaged or missing parts, please contact us by visiting:  
<https://www.happybeds.co.uk/customer-service>