

Assembly Instructions

Important before assembly:

Read these instructions carefully before assembling or using the product.

Please check the contents of the boxes before attempting to assemble this product. The instructions will have a checklist of parts and fittings.

Assemble the product as close to its intended final location/room as possible.

Health & Safety:

This product or some parts of this product will be heavy. Please use an assistant when lifting.

Please keep small parts out of reach of children.

Always use on a level, even surface.

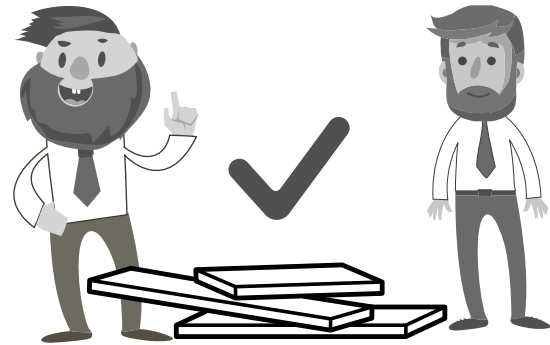
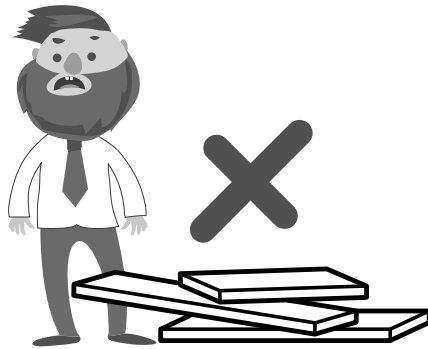
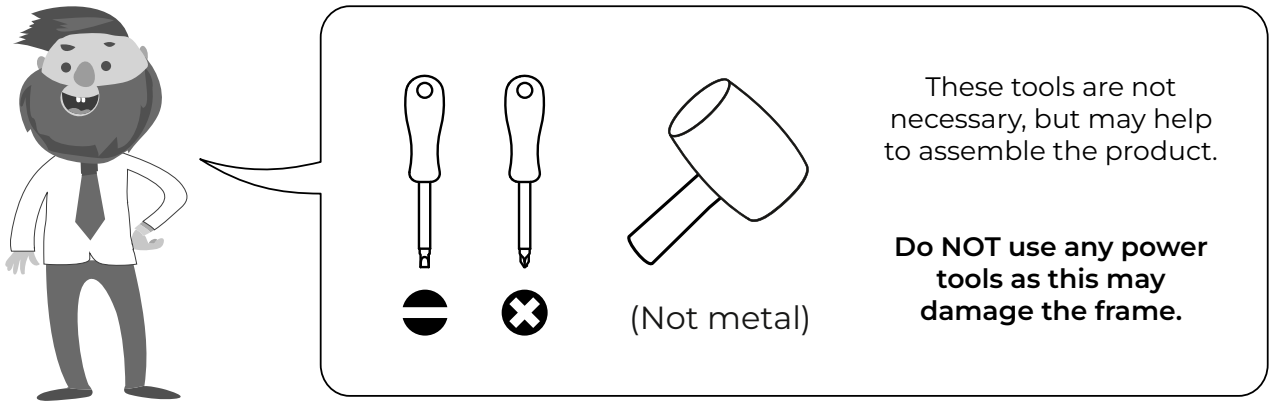
DO NOT jump on the product or any of its parts.

DO NOT use this product if any parts are missing, damaged or worn.

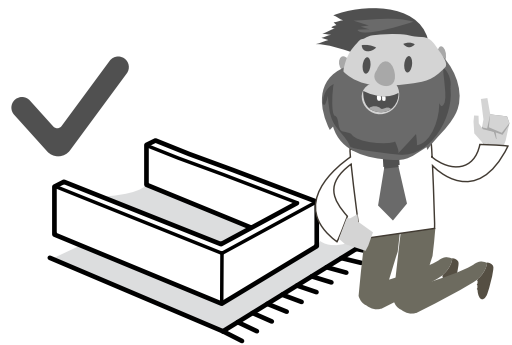
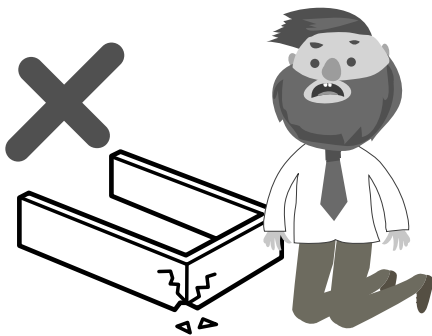
DO NOT use this product unless all fixings are secured.

Further instructions are on the following pages.

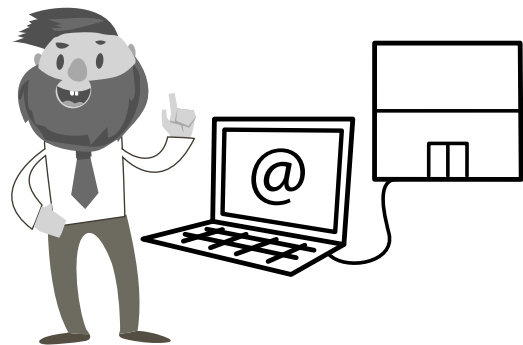
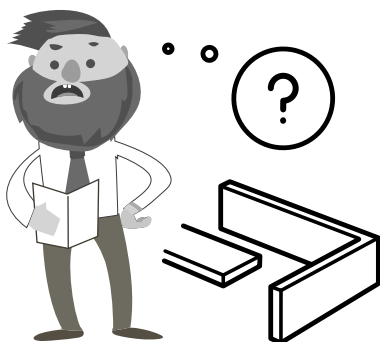
Please keep these instructions for future reference.



This product or some parts of this product will be heavy. Please use an assistant when lifting.



Never drag or push the pieces across a hard or stone floor as this will cause damage to the joints. Use a carpet or a rug for extra care.



If you have problems assembling or have damaged or missing pieces, please contact our customer services (details at the back of these instructions)



Important for High Sleepers, Bunk Beds and Children's Beds

Warning:

High sleepers and the upper tier of bunk beds are not suitable for children under 6 years of age due to risk of injury from falls.

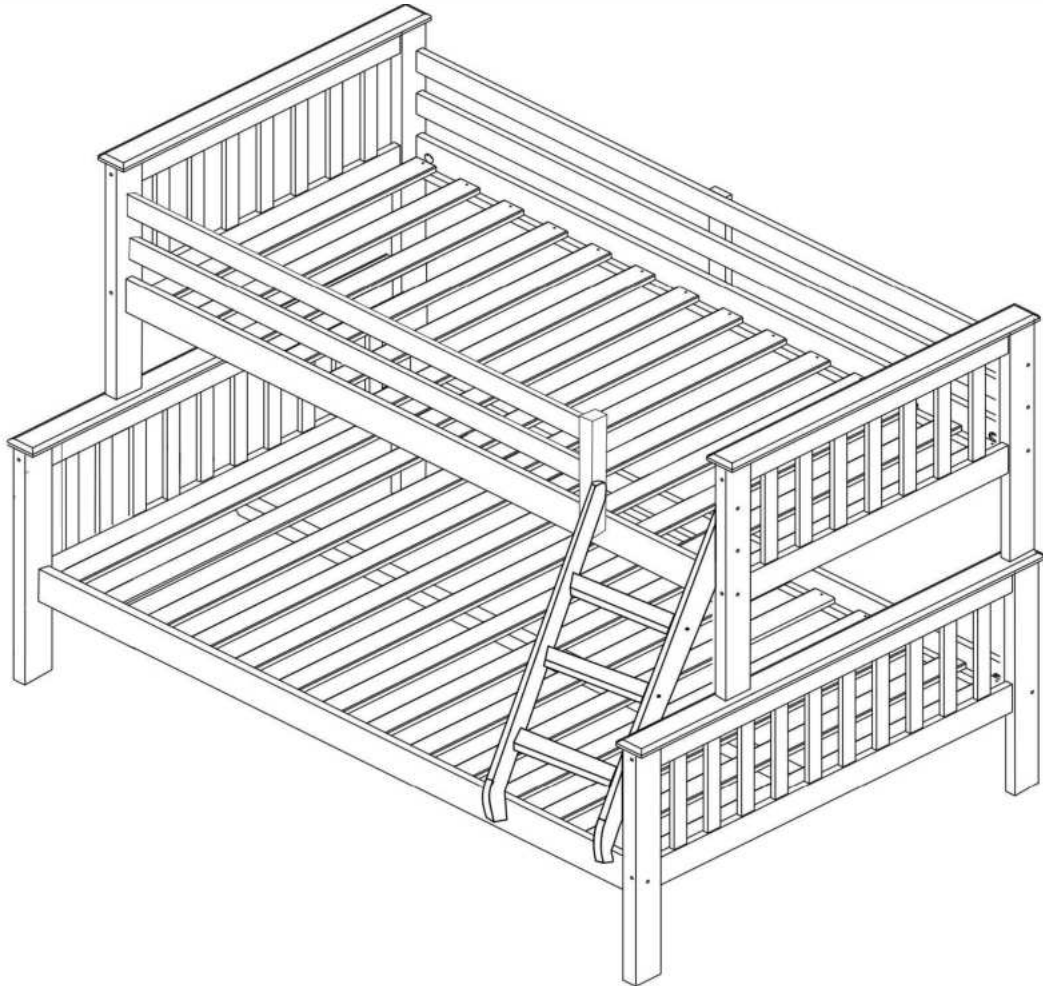
High Sleepers and Bunk Beds present a risk of injury from strangulation if used incorrectly. Never attach or hang anything on any part of the bed that is not designed to be used with the bed, for example, but not limited to ropes, strings, cords, hooks, belts and bags.

Children can become trapped between the bed and the wall, a roof pitch, the ceiling and other pieces of furniture (e.g. wardrobes). To avoid risk of serious injury, the distance between the top safety barrier and any adjoining structure shall not exceed 75mm or shall be more than 230mm.

Maximum thickness of a mattress on the top tier is 18cm. Please refer to the label or marking on the headboard.

This bed has been tested by an independent laboratory and is in compliance with BS EN 747-1 : 2012+A1:2015 - Standard Consumer Safety specification for bunk beds & high sleepers.

**IMPORTANT - READ CAREFULLY
RETAIN FOR FUTURE REFERENCE**



THE LADDER CAN BE FITTED ON THE RIGHT OR LEFT HAND SIDE

IMPORTANT INFORMATION

WARNING – High Beds and the upper bed of bunk beds are not suitable for children under six years due to risk of injury from falls.

WARNING – Bunk beds and high beds can present a serious risk of injury from strangulation if not used correctly. Never attached or hang items to any part of the bunk bed that are not designed to be used with the bed, for example, but not limited to ropes, strings, cords, hooks, belts and bags.

WARNING – Children can become trapped between the bed and the wall, a roof pitch, the ceiling, adjoining pieces of furniture (e.g. cupboards) and the like.

WARNING – Do not use the bunk bed / high bed if any structural part is broken or missing.

It is recommended that you always follow the manufacturer's instructions to assemble this product.

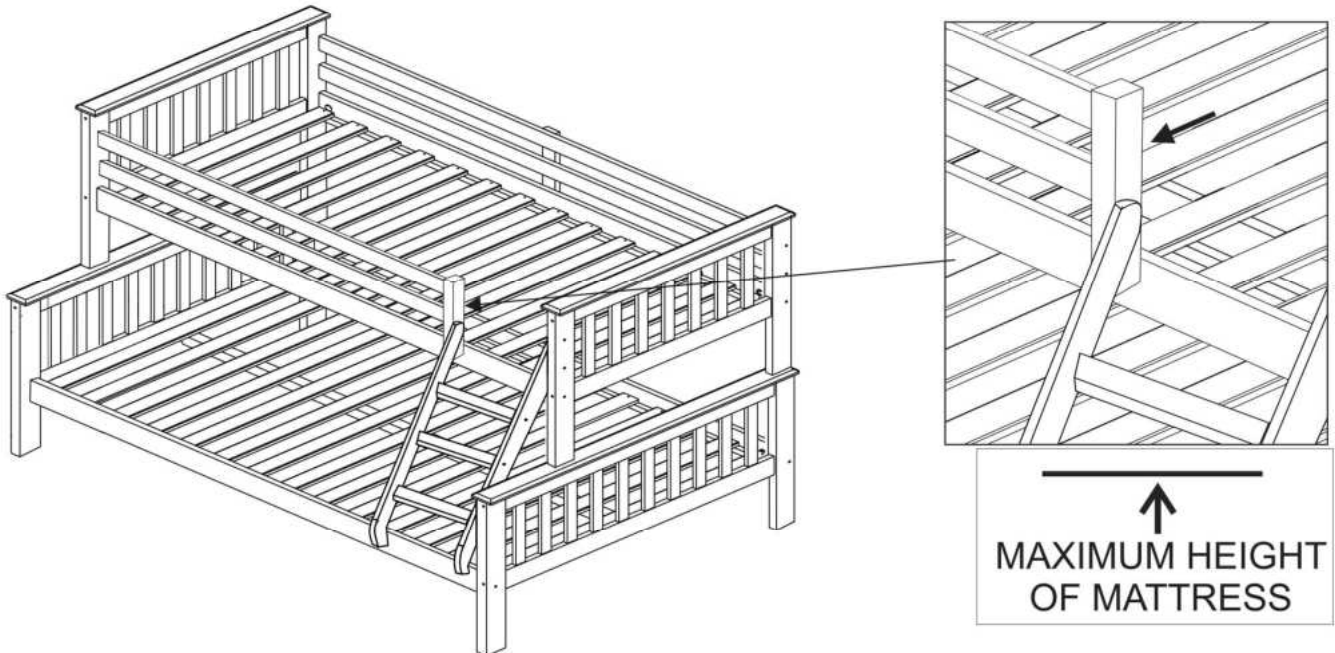
Always follow the manufacturer's recommended mattress size, as per these instructions and the bunk bed / high bed maximum mattress height marking on the item.

Width 90cm x Length 190cm / width 120cm x Length 190cm with a Maximum Depth of 16cm.

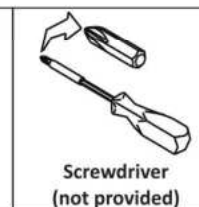
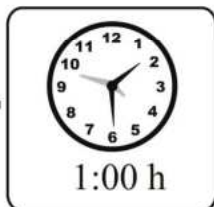
It is necessary to frequently ventilate the room in order to keep the humidity low and to prevent mould in and around the bed.

Please periodically check all the fixings of the item and re-tighten when necessary.

This item conforms to European Safety Standards - BS EN 747-1: 2012 + A1:2015



+



Safety Advice

Please take the time to carefully read through the whole of these instructions before you commence.

Keep these instructions for future reference.

Unpack, inspect and check of all of the contents.

Please dispose of all packing safely.

Small components parts could choke a child if swallowed.

We strongly recommend that you keep children well away from the work area.

It would be sensible to lay a sheet or blanket on the floor where you intend to work to avoid scratching this product and protect your floor.

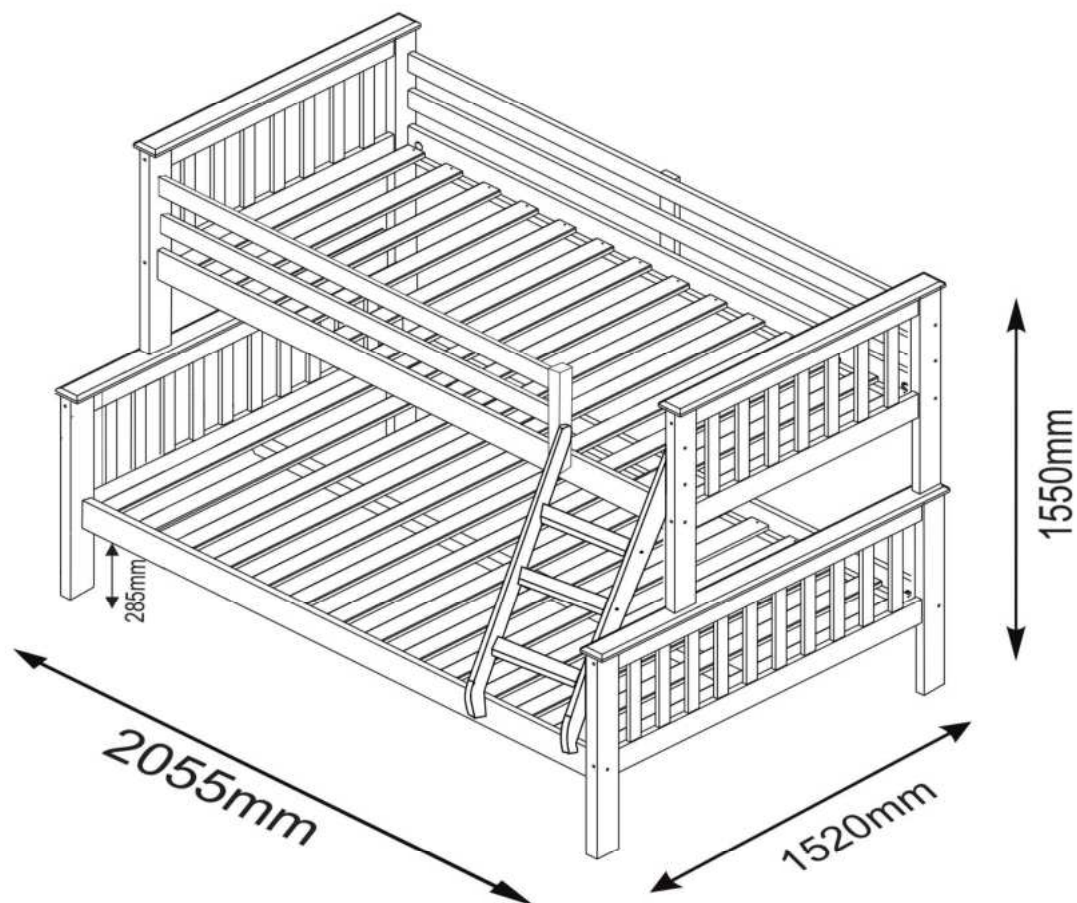
This product is heavy. Take extreme care when lifting to avoid personal injury or damage to the product.

This bed is heavy. Always lift the bed with two people.

Assemble the product as close to its intended final position in the room as possible.

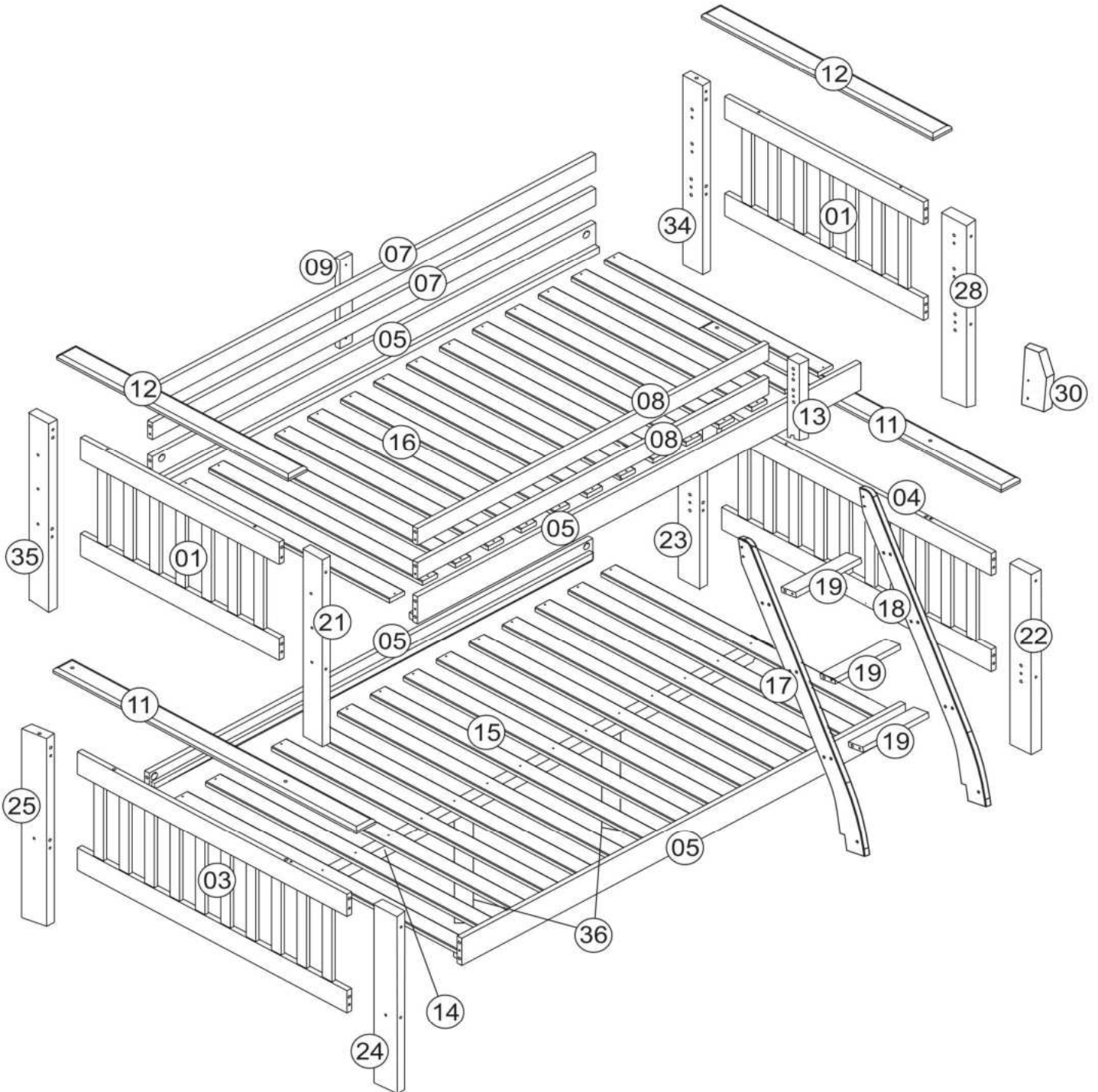
Keep any sharp objects away from the bed frame.









HANDY HINT: If you keep the hardware in a bowl during assembly you will be less likely to lose them.



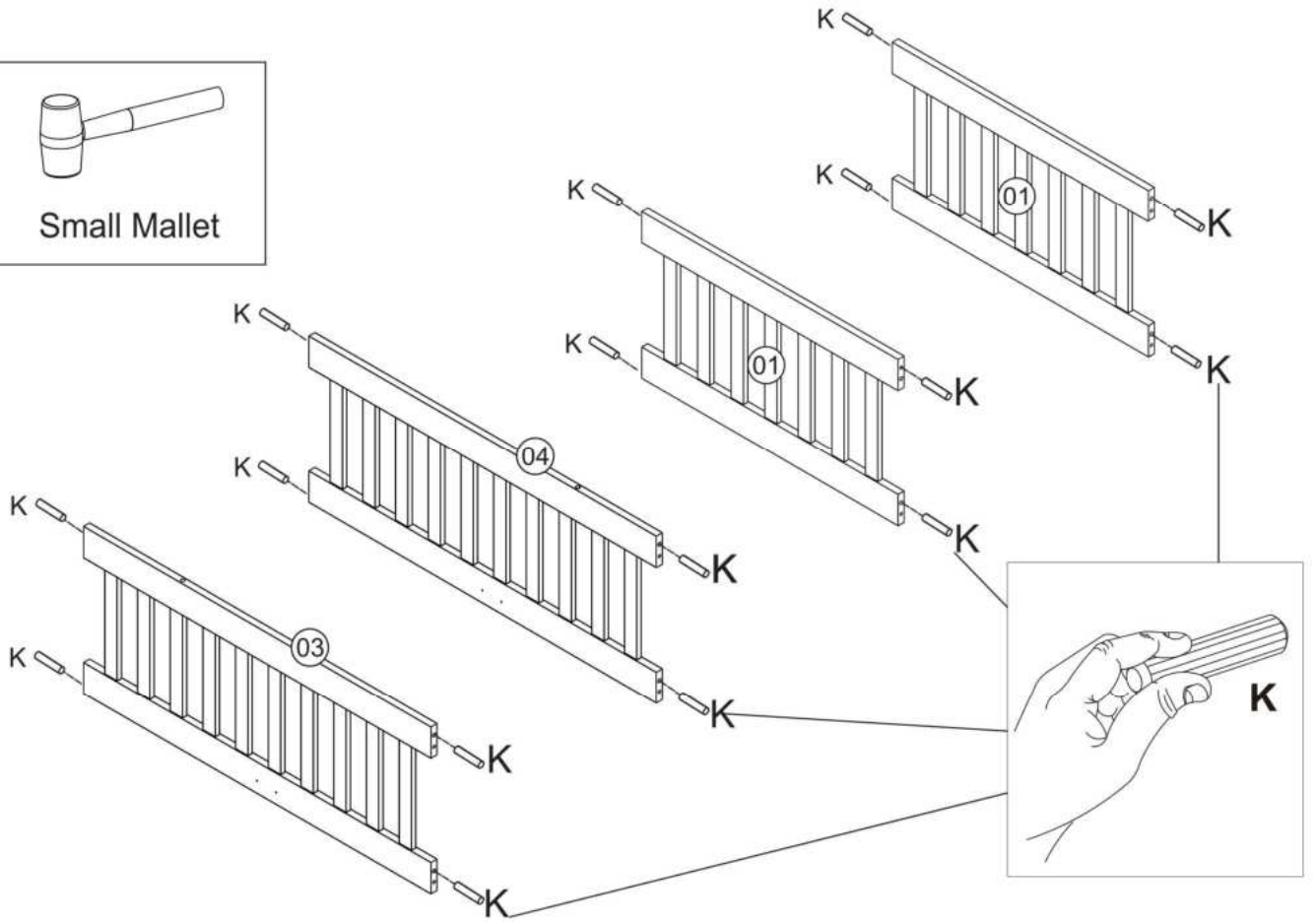
ALL MEASUREMENTS ARE APPROXIMATES


PARTS



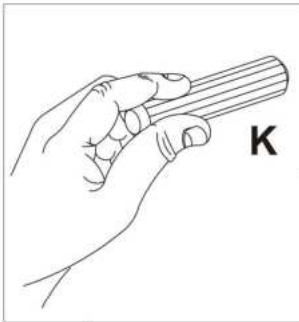
Part List				Hardware List (found in box 1)		
Part	Description	Box	Qty	Part	Description	Qty
01	Top Headend/footend	1	2	A	1/4 x80 mm Screw 	08
03	Bottom Headend	1	1	B	1/4" Elliptical nut 	08
04	Bottom footend	1	1	C	7,0 x 50 mm Screw 	12
05	Side Rail	3	4	D	4,0 x 35 mm CC Screw 	63
07	Back Guard Rail	3	2	E	Allen key 	1
08	Front Guard Rail	3	2	F	7,0 x 120 mm Screw 	16
09	Back Side Rail Suppo	3	1	G	Metal Joint 	02
11	Bottom Profile rt	3	2	H	Plastic hole cap 8mm 	3
12	Top Profile	3	2	I	4,0 x 16 mm CC Screw 	12
13	Vertical Support	1	1	J	7,0 x 100 mm Screw 	02
14	Support Slats	1	1	K	10 x 40 mm Wooden dowel 	68
15	Bottom Slats	4	15	L	15 x 90 mm Wooden dowel 	4
16	Top Slats	4	15	M	Wooden spacer 	2
17	Left Ladder panel	3	1	N	7,0 x 80 mm Screw 	14
18	Right Ladder Pan	3	1	O	Glue 	2
19	Ladder Step el	3	3	P	Metal Bracket 	2
21	Upper Foot	2	1	Q	4,0 x 25 mm CC Screw 	04
22	Bottom foot	2	1	R	18 mm Plastic cap 	51
23	Bottom foot	2	1	S	4,0 x 50 mm CC Screw 	9
24	Bottom foot	2	1	T	Plastic hole cap 10mm 	3
25	Bottom foot	2	1	You will need screwdriver and small mallet (not provided).		
28	Upper Foot	2	1			
30	Support Ladder	2	1			
34	Upper Foot	2	1			
35	Upper Foot	2	1			
36	Vertical support leg	3	2			

1

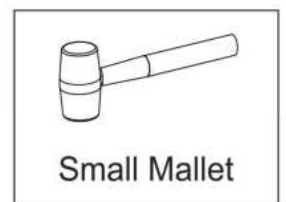
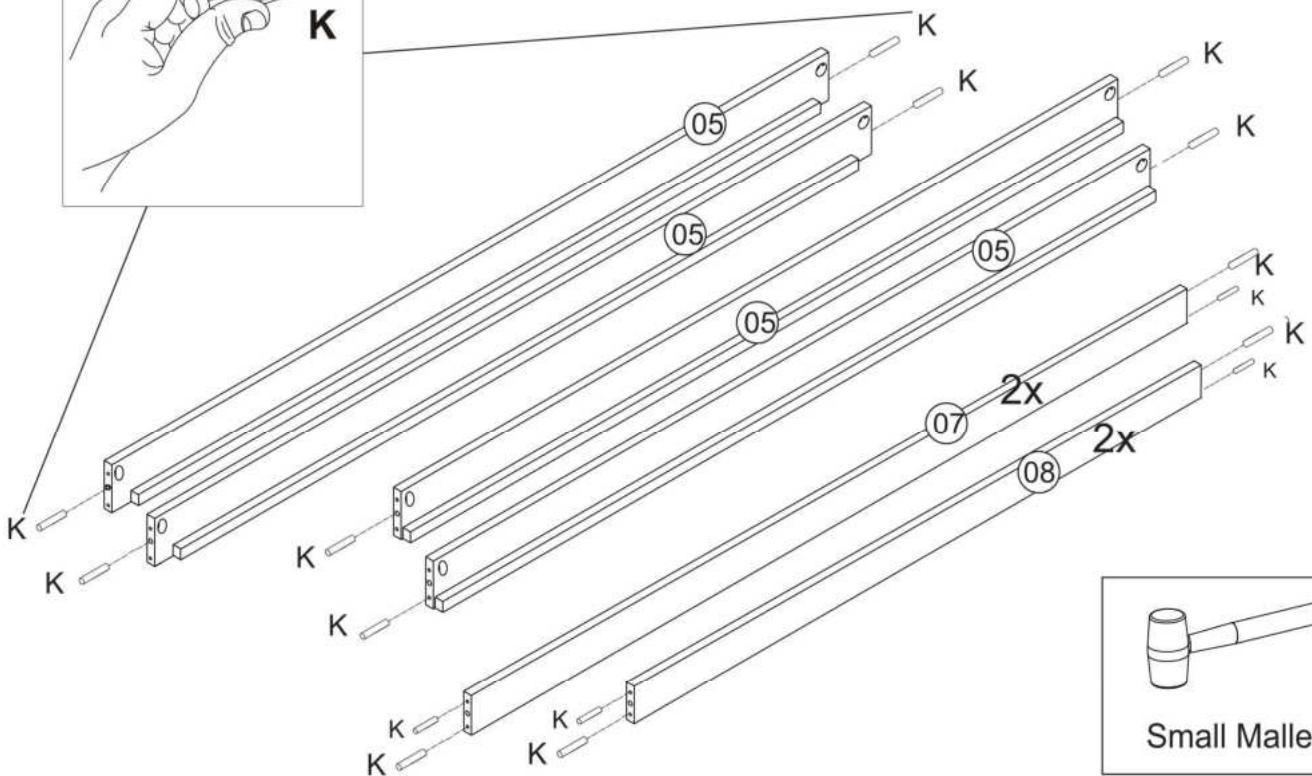


K	 10 x 40mm	16
---	--	----

2

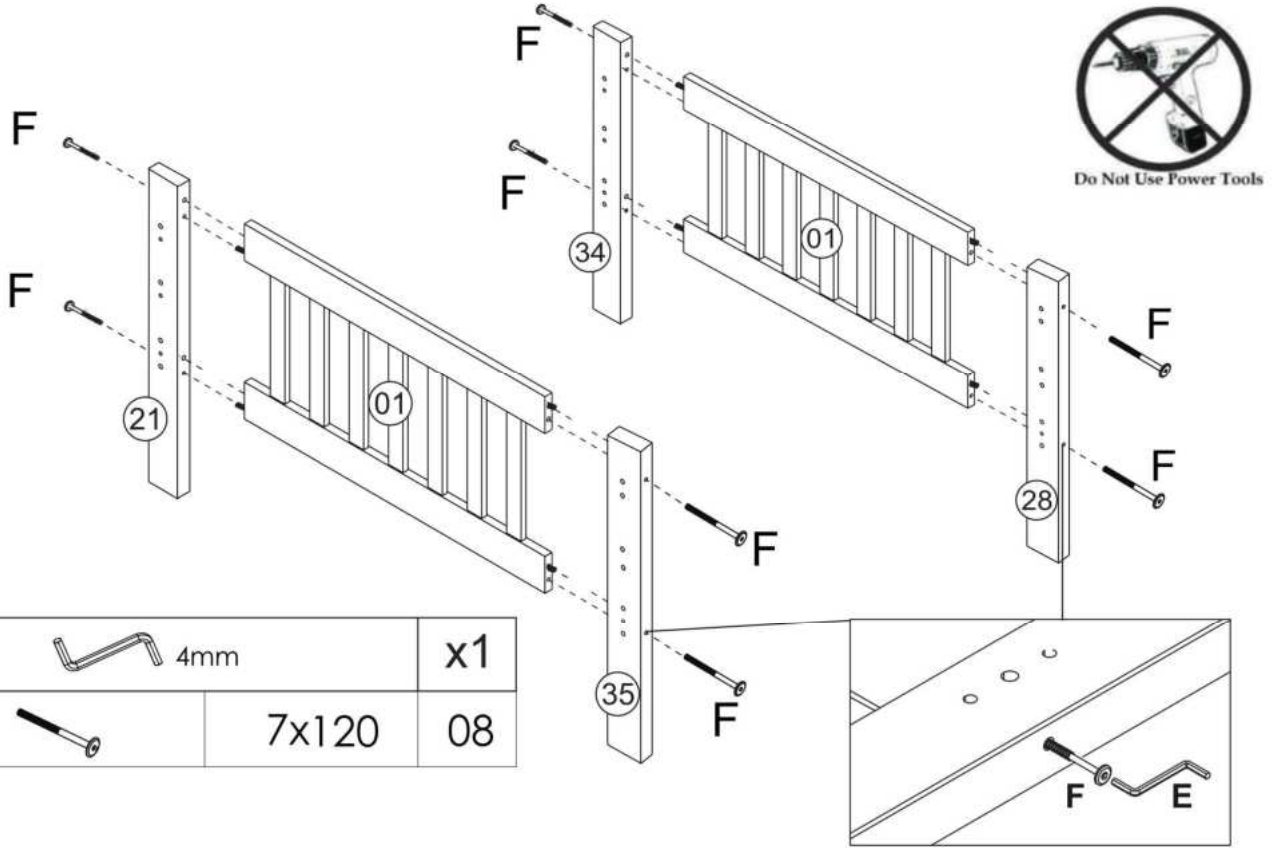


K	 10 x 40mm	24
---	--	----



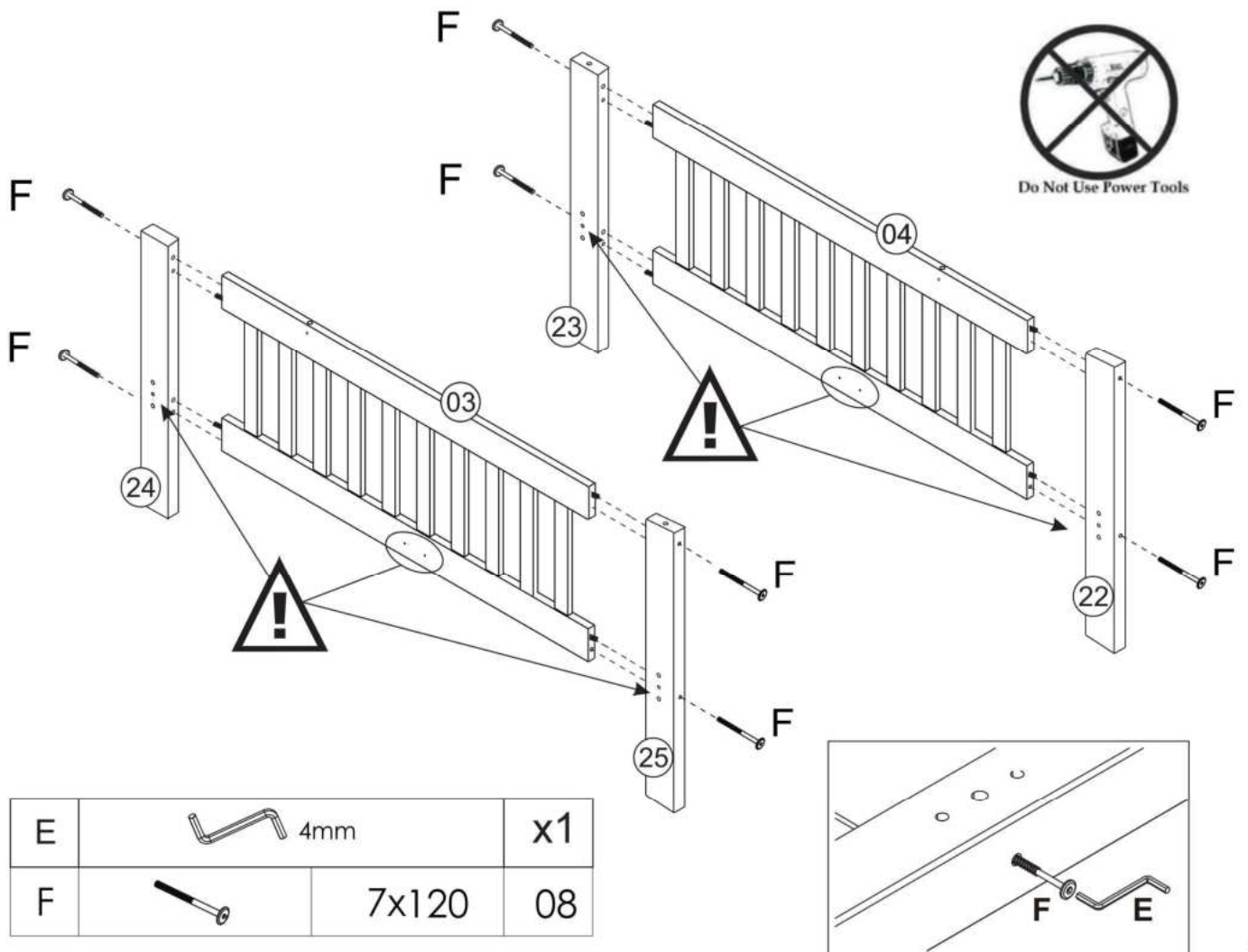
3

Upper Headboard

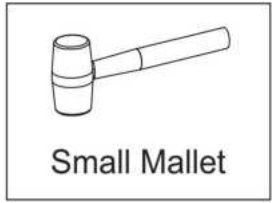
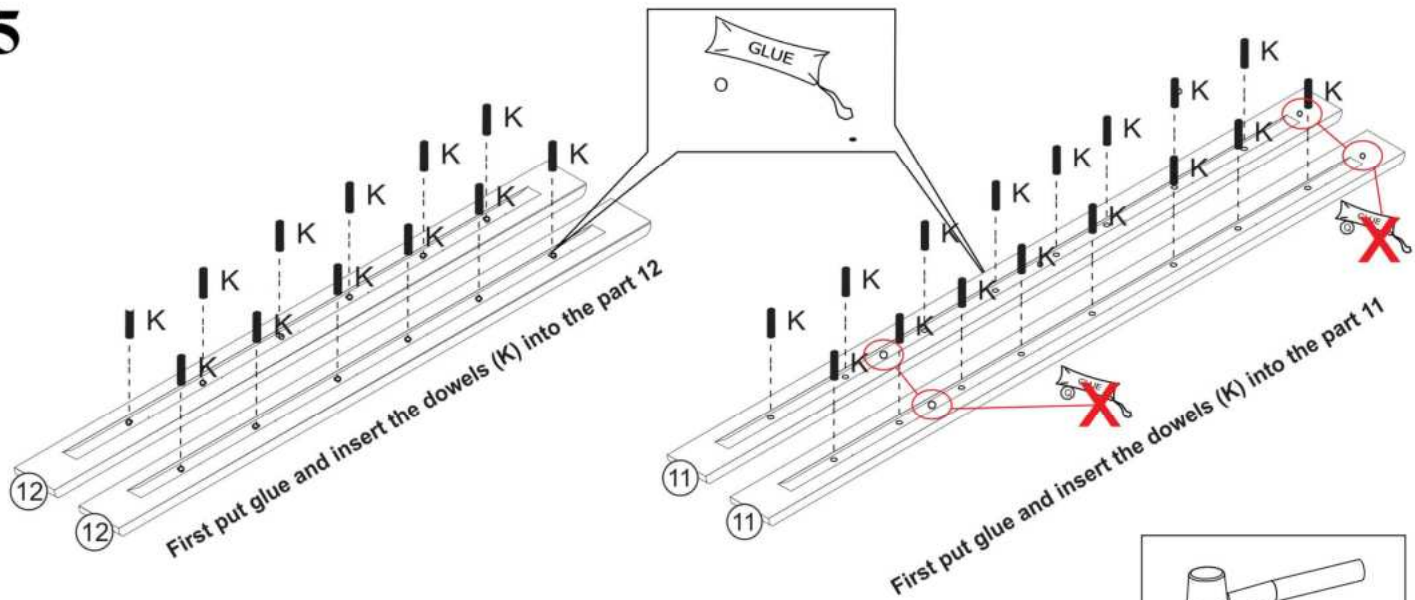


4

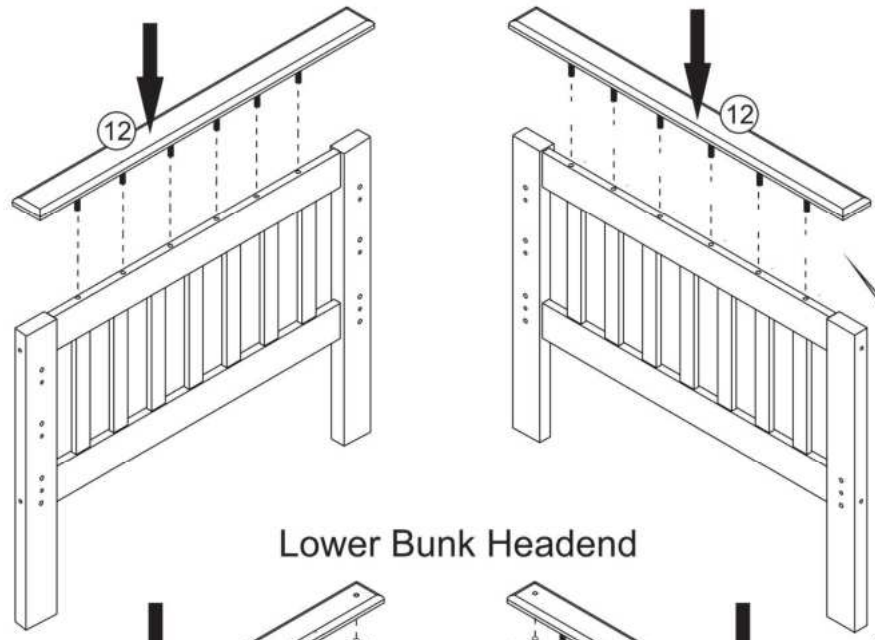
Lower Headboard



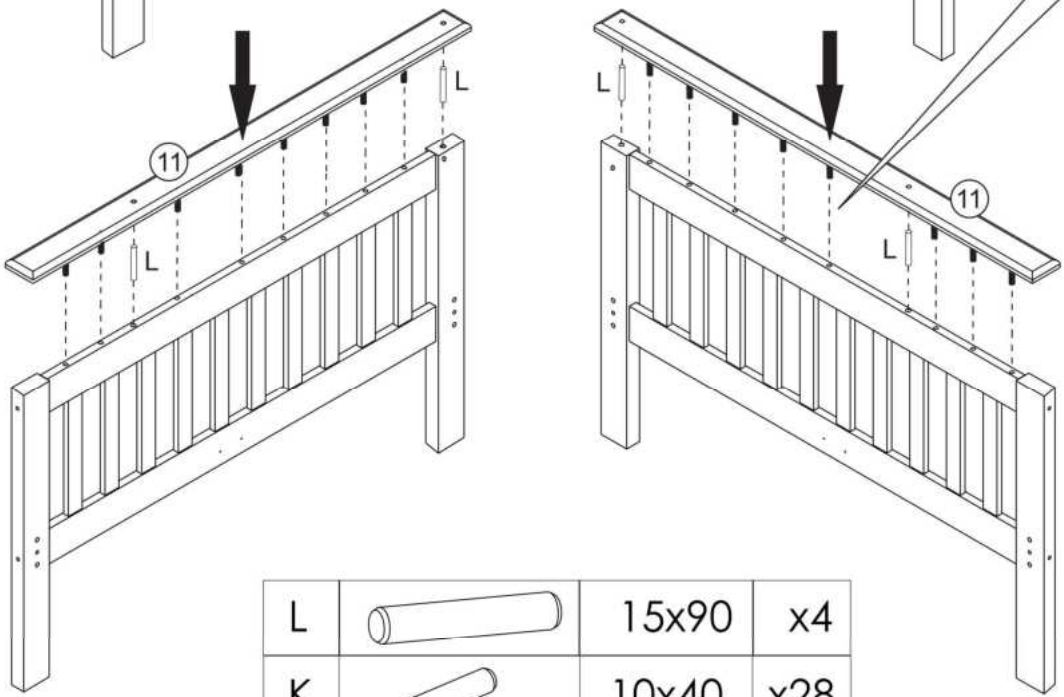
5

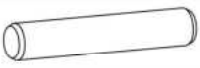
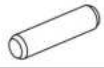



Upper Bunk Headend

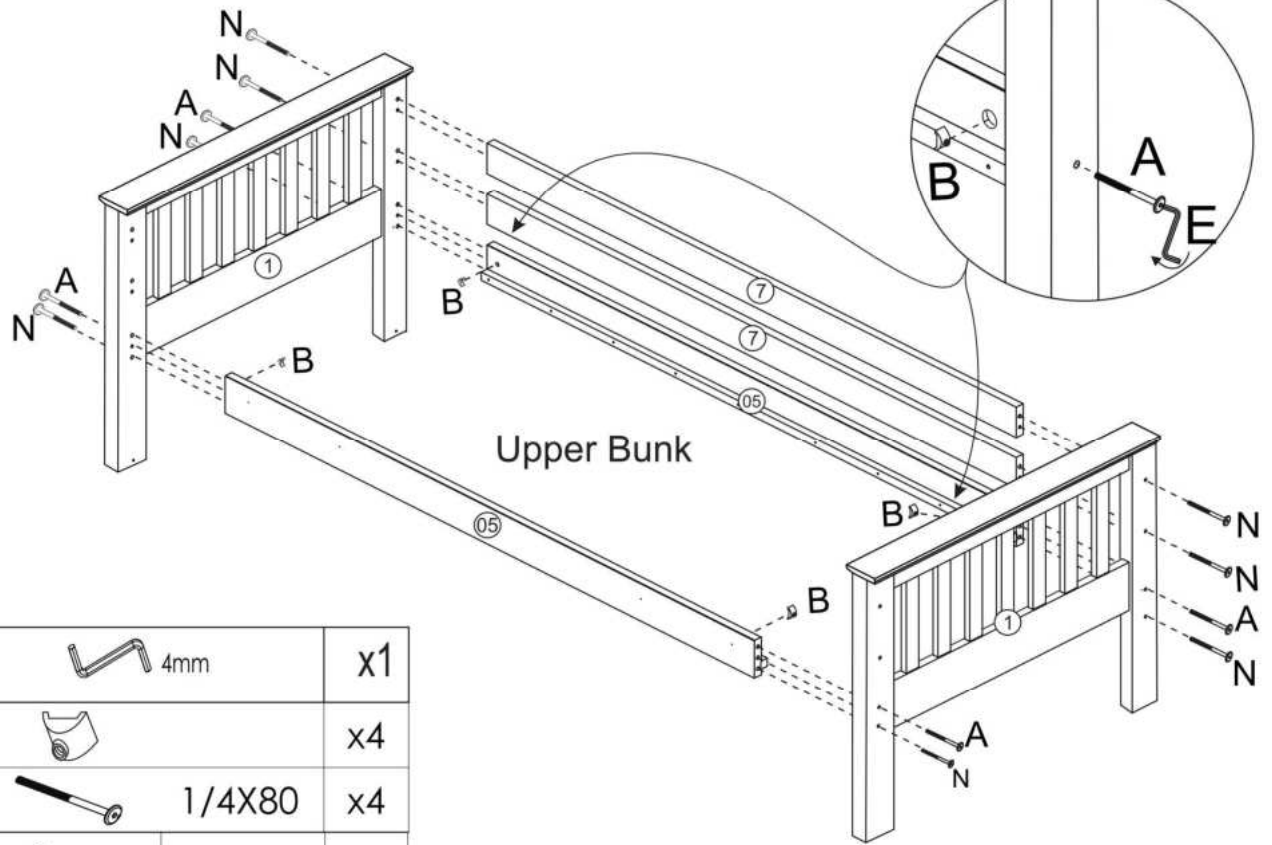






Lower Bunk Headend



L		15x90	x4
K		10x40	x28
O		Glue	x2

6



E	 4mm	x1
B		x4
A	 1/4X80	x4
N	 7x80	x8

LADDER LEFT



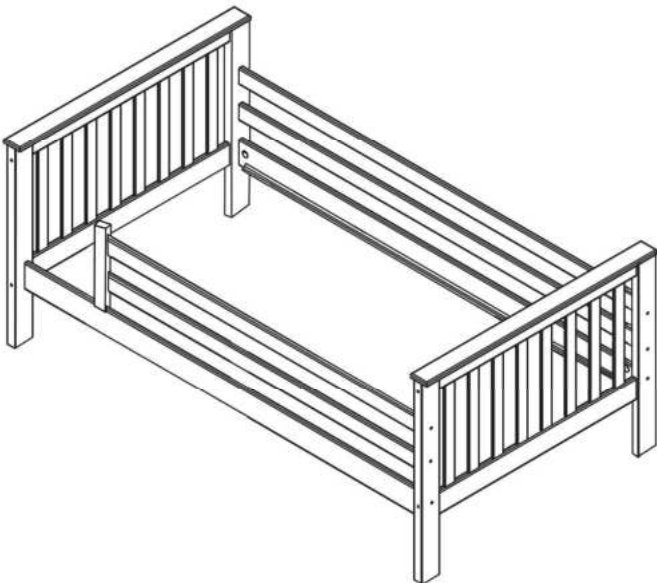
ASSEMBLING LADDER LEFT SIDE

LADDER RIGHT

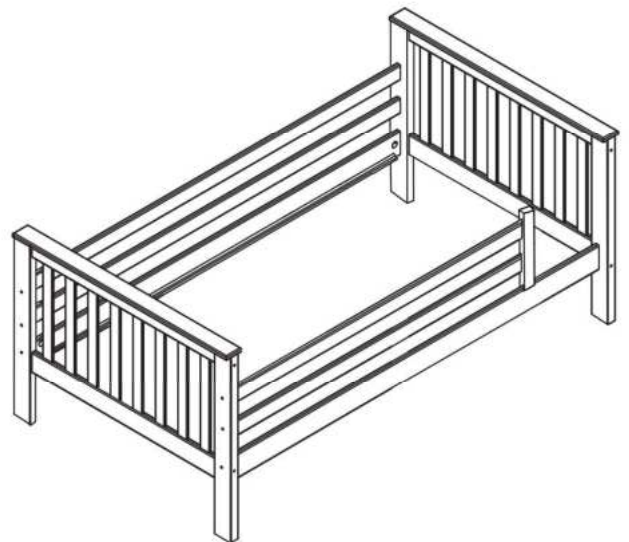


ASSEMBLING LADDER RIGHT SIDE

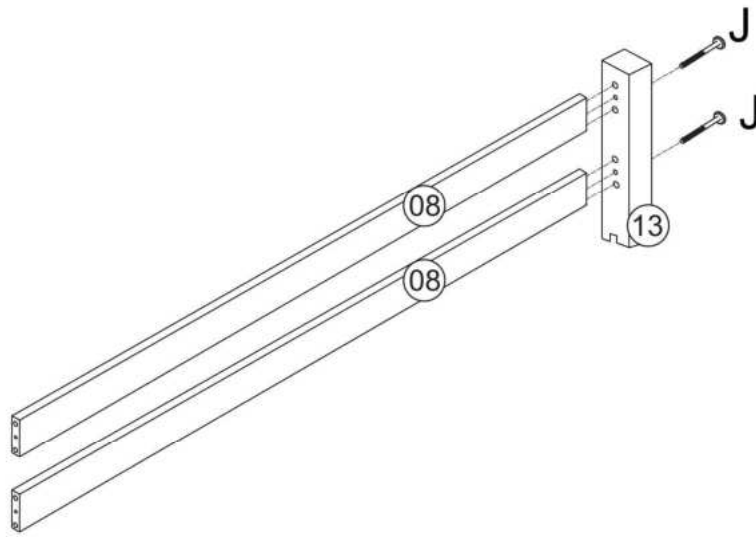
UPPER BUNK LADDER LEFT



UPPER BUNK LADDER RIGHT

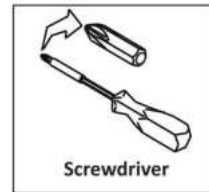
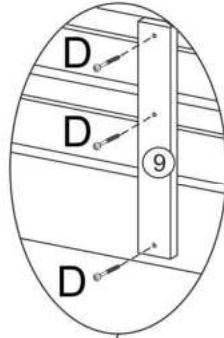


7

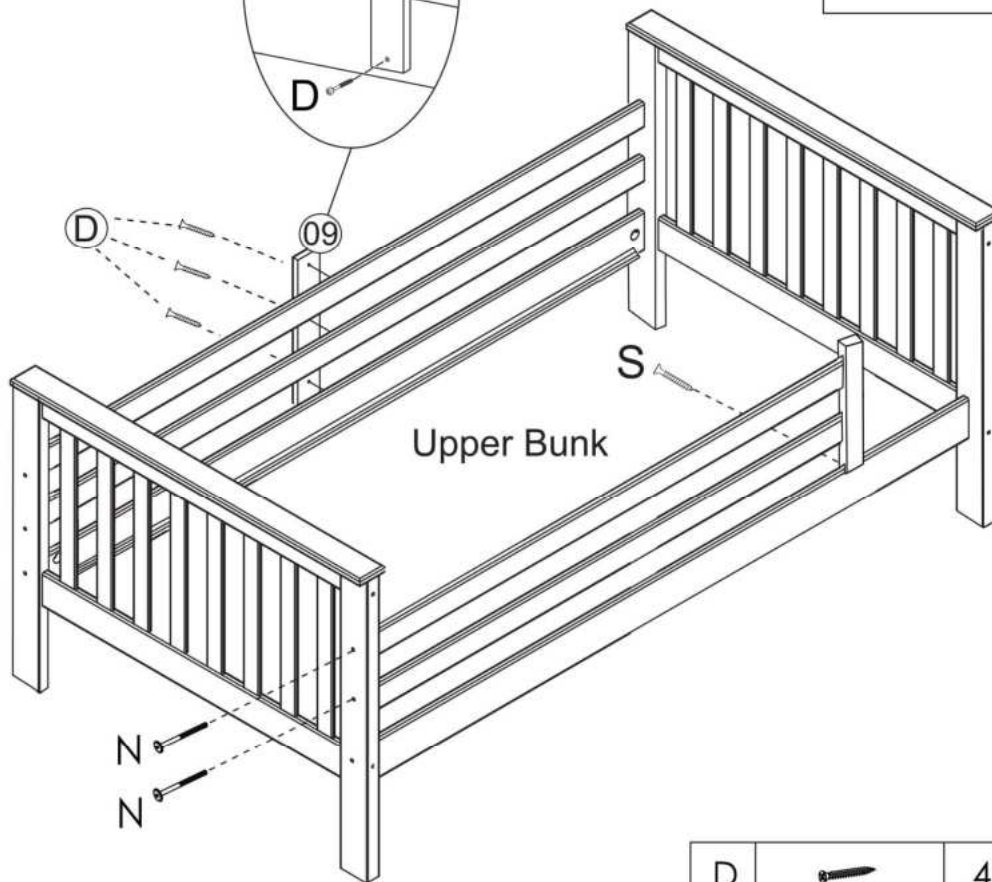


ASSEMBLING LADDER RIGHT SIDE

Back View







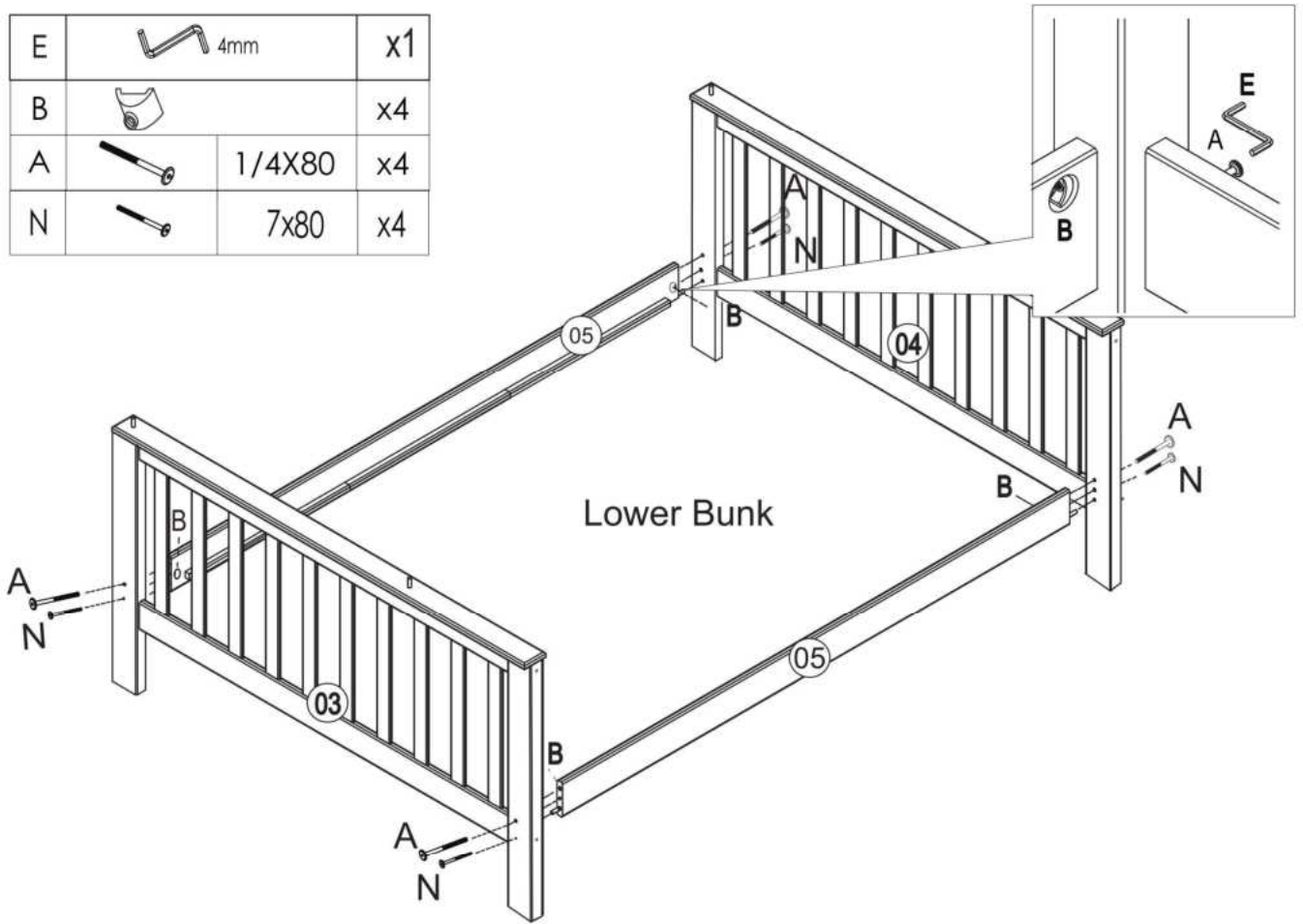
Do Not Use Power Tools



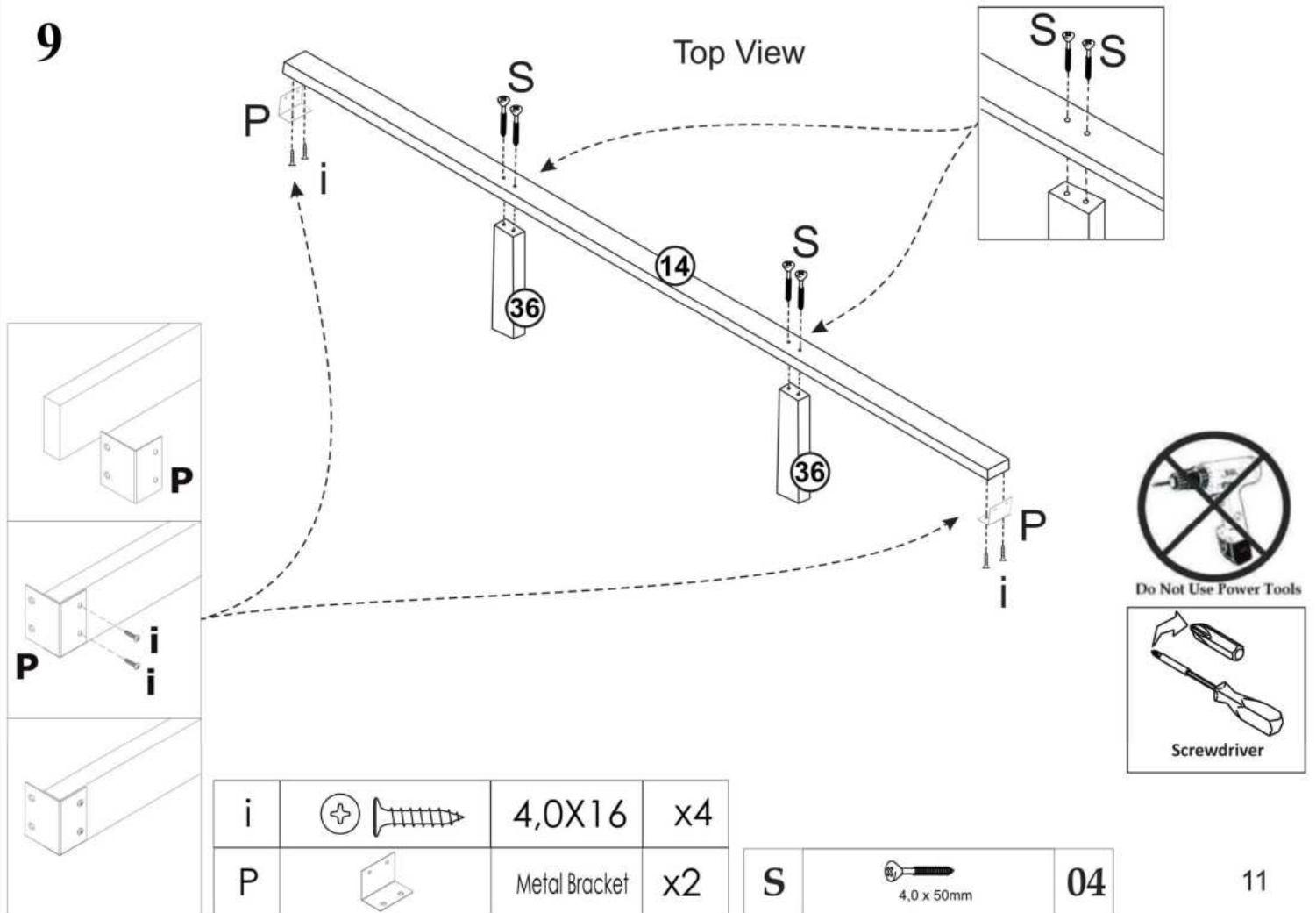
D		4,0x35	x3
E		4mm	x1
S		4,0x50	x1
J		7x100	x2
N		7x80	x2



8


E		4mm	x1
B			x4
A		1/4X80	x4
N		7x80	x4



9



i		4,0X16	x4
P		Metal Bracket	x2

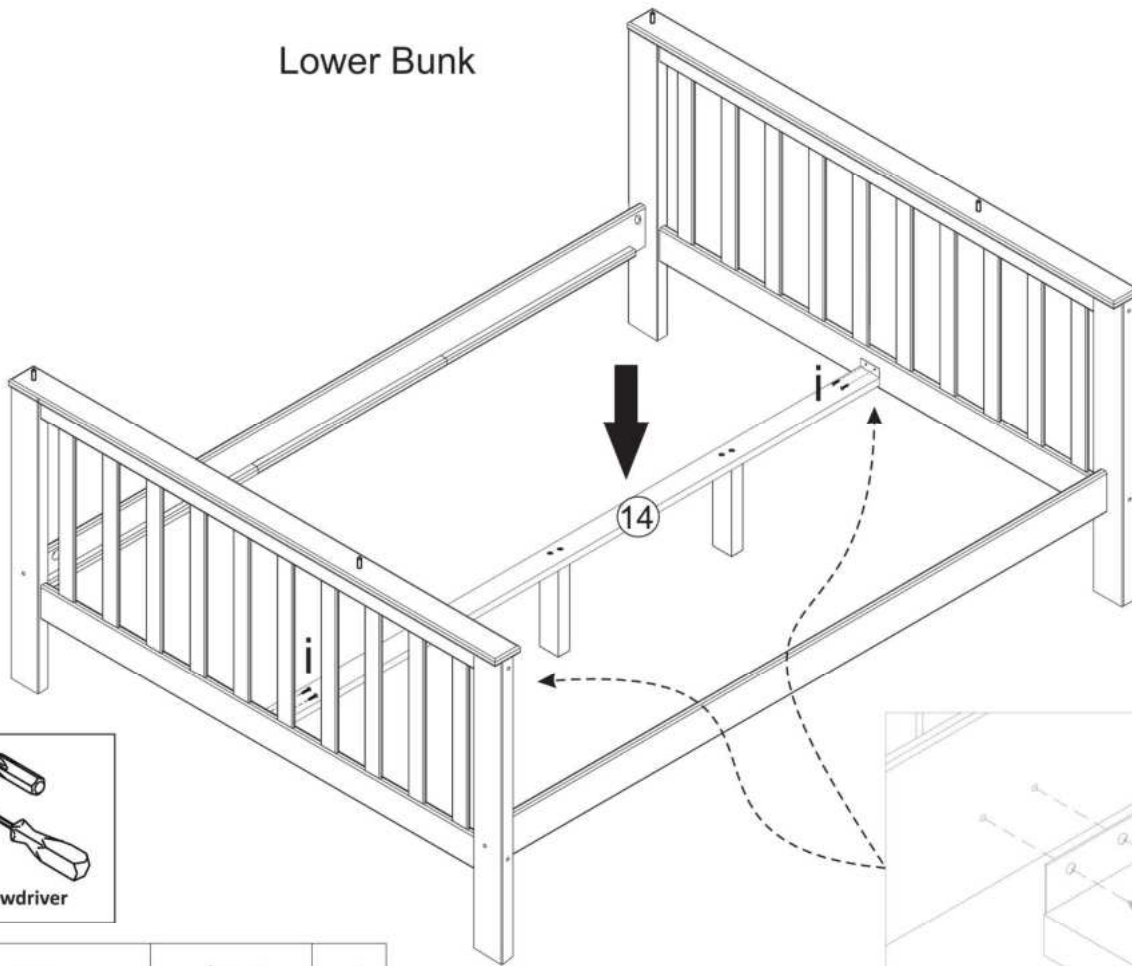
S		4,0 x 50mm	04
---	---	------------	----

10

Lower Bunk

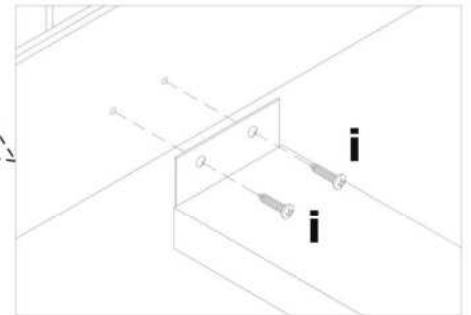


Do Not Use Power Tools



Screwdriver

i		4x16	x4
---	--	------	----



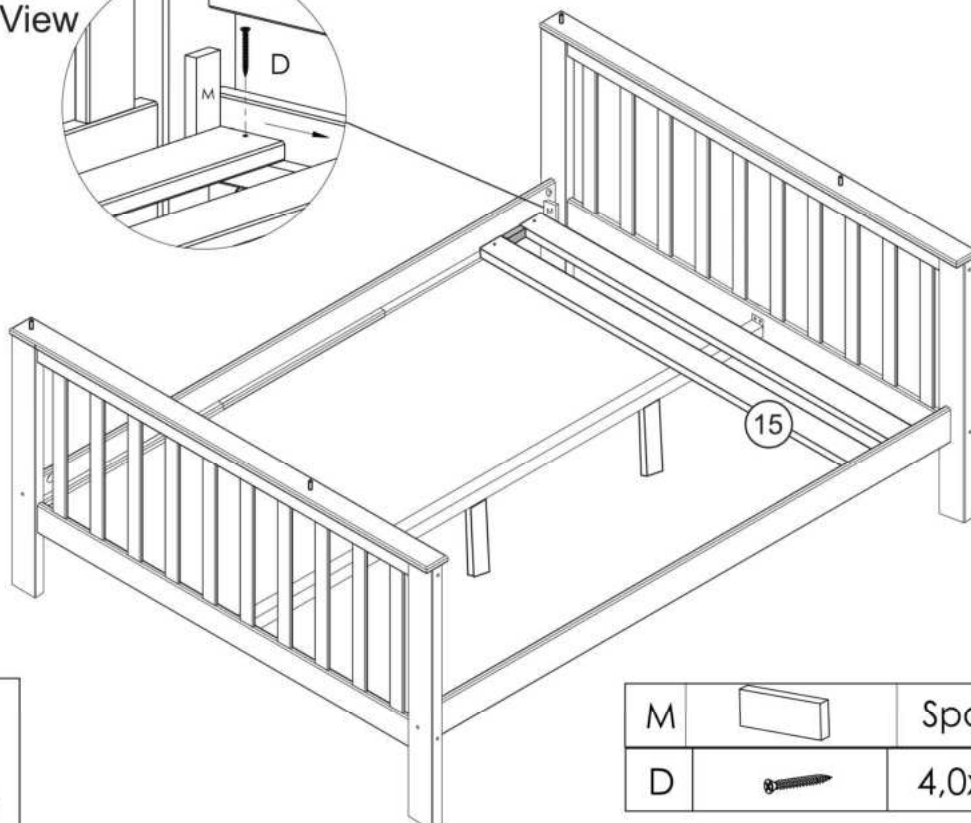
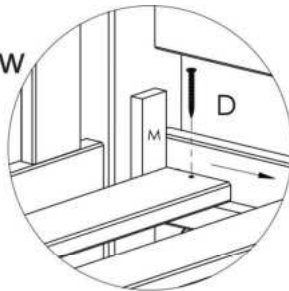
11 Attache the side slat first by pushing the side rails together so that the slats is flush against the side rail, before inserting the screws.

Lower Bunk



Do Not Use Power Tools

Top View





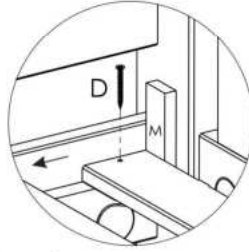
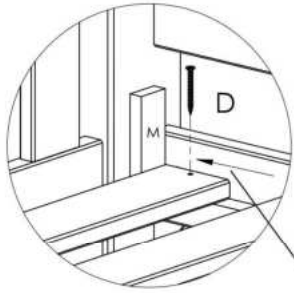
Screwdriver

M		Spacer	x2
D		4,0x35	x4

12

Next attach the remaining slats. Place the slats onto the side rail supports and distribute evenly by using the spacer provided.

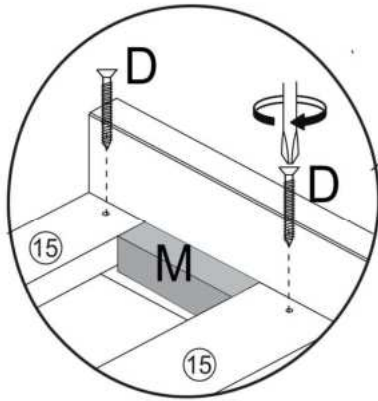
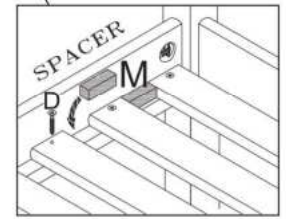
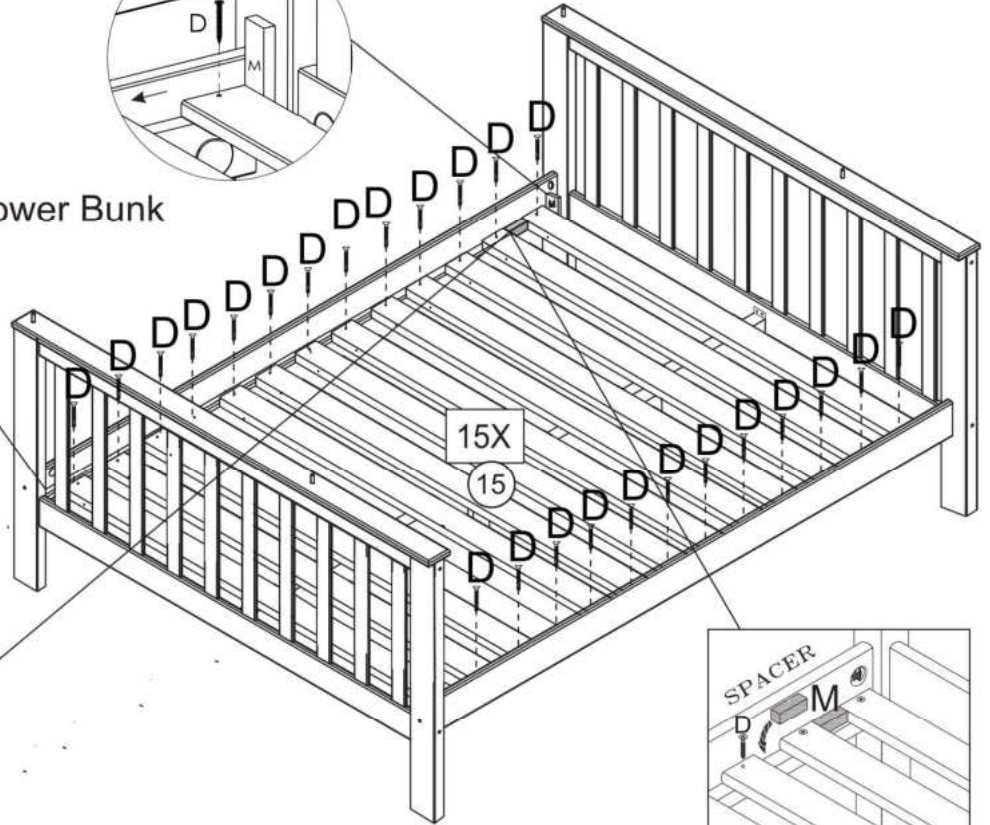
M		Spacer	x2
D		4,0x35	x26



Lower Bunk

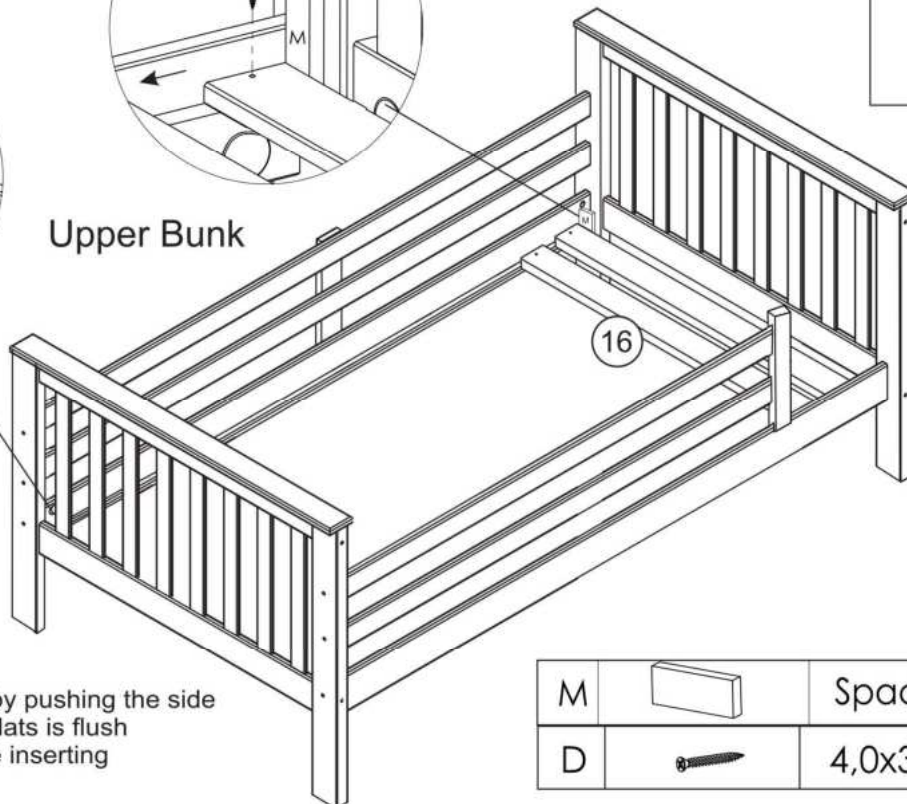
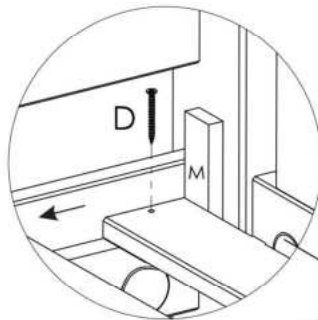
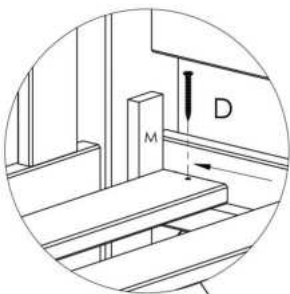
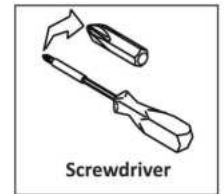


Do Not Use Power Tools





13

Upper Bunk



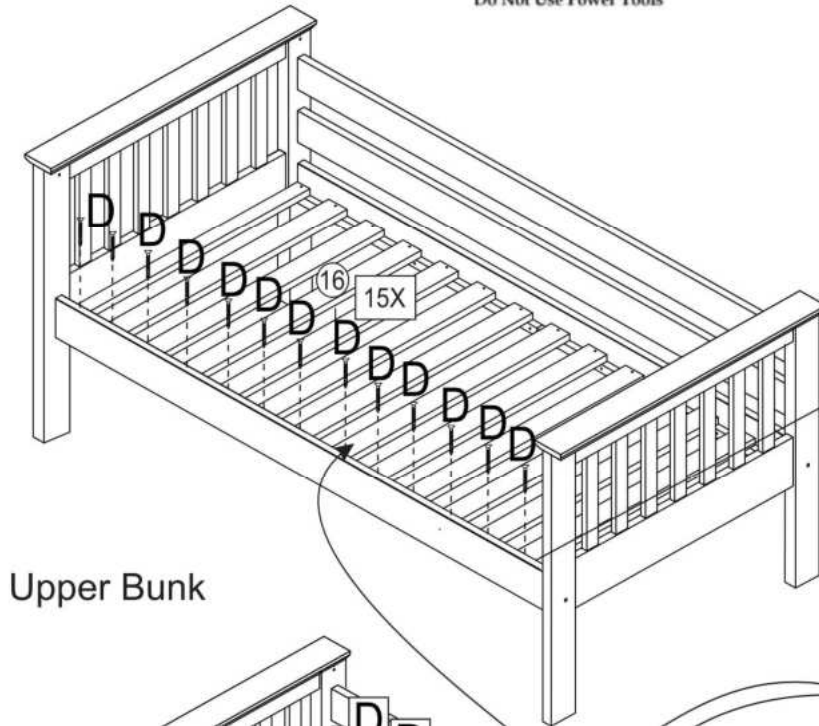
Attache the side slat first by pushing the side rails together so that the slats is flush against the side rail, before inserting the screws.

M		Spacer	x2
D		4,0x35	x4

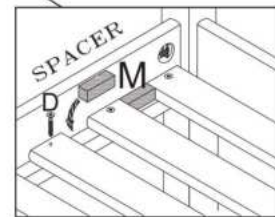
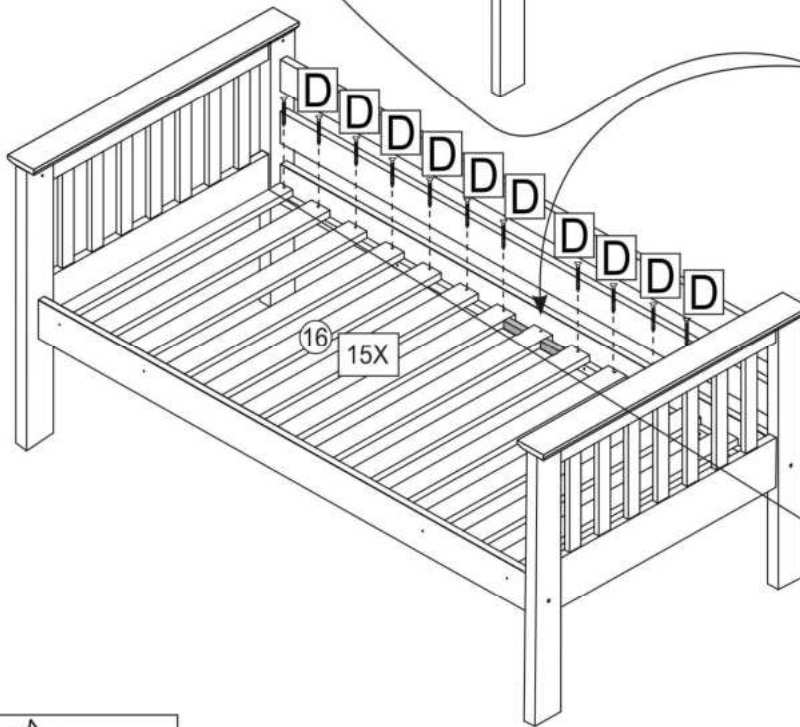
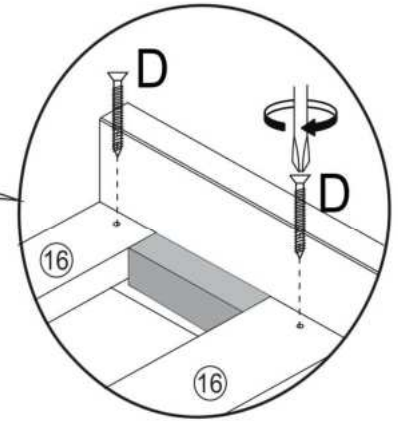
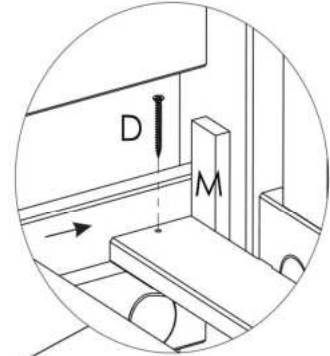


Do Not Use Power Tools

Top View



Upper Bunk



Screwdriver

Next attach the remaining slats.
Place the slats onto the side rail supports and distribute evenly by using the spacer provided.

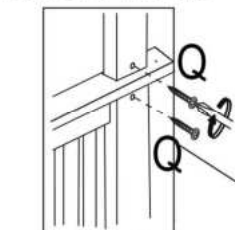
M		Spacer	x2
D		4,0x35	x26

15

ASSEMBLING UPPER & LOWER BUNK

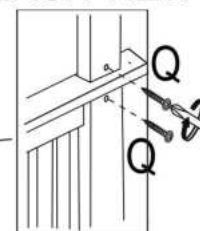
Q		4,0x25	x4
---	---	--------	----

BACK VIEW

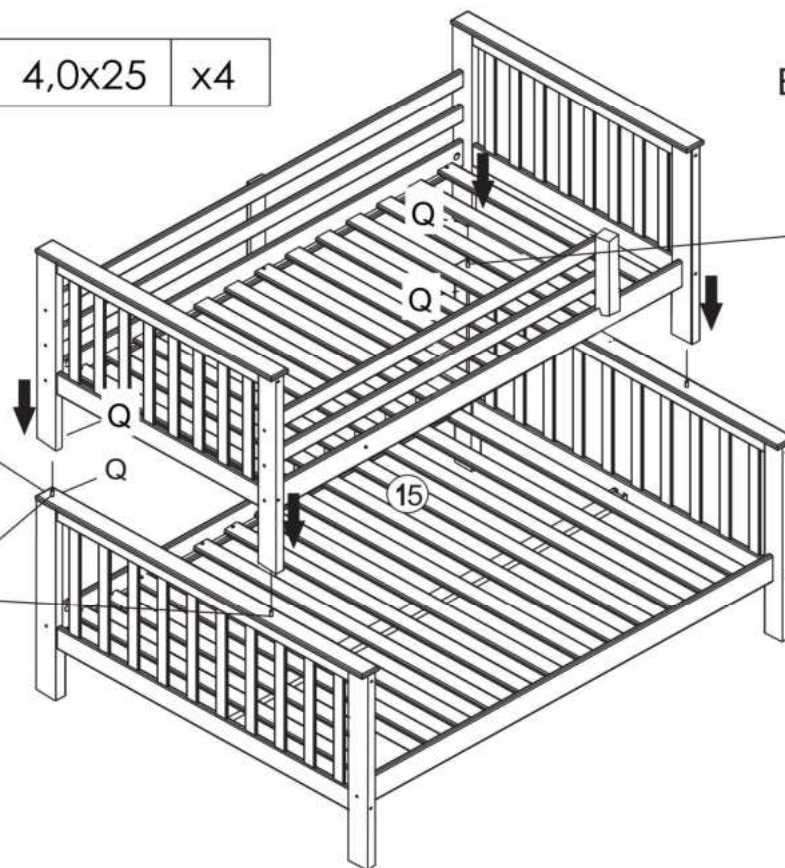


2 x

BACK VIEW






2 x



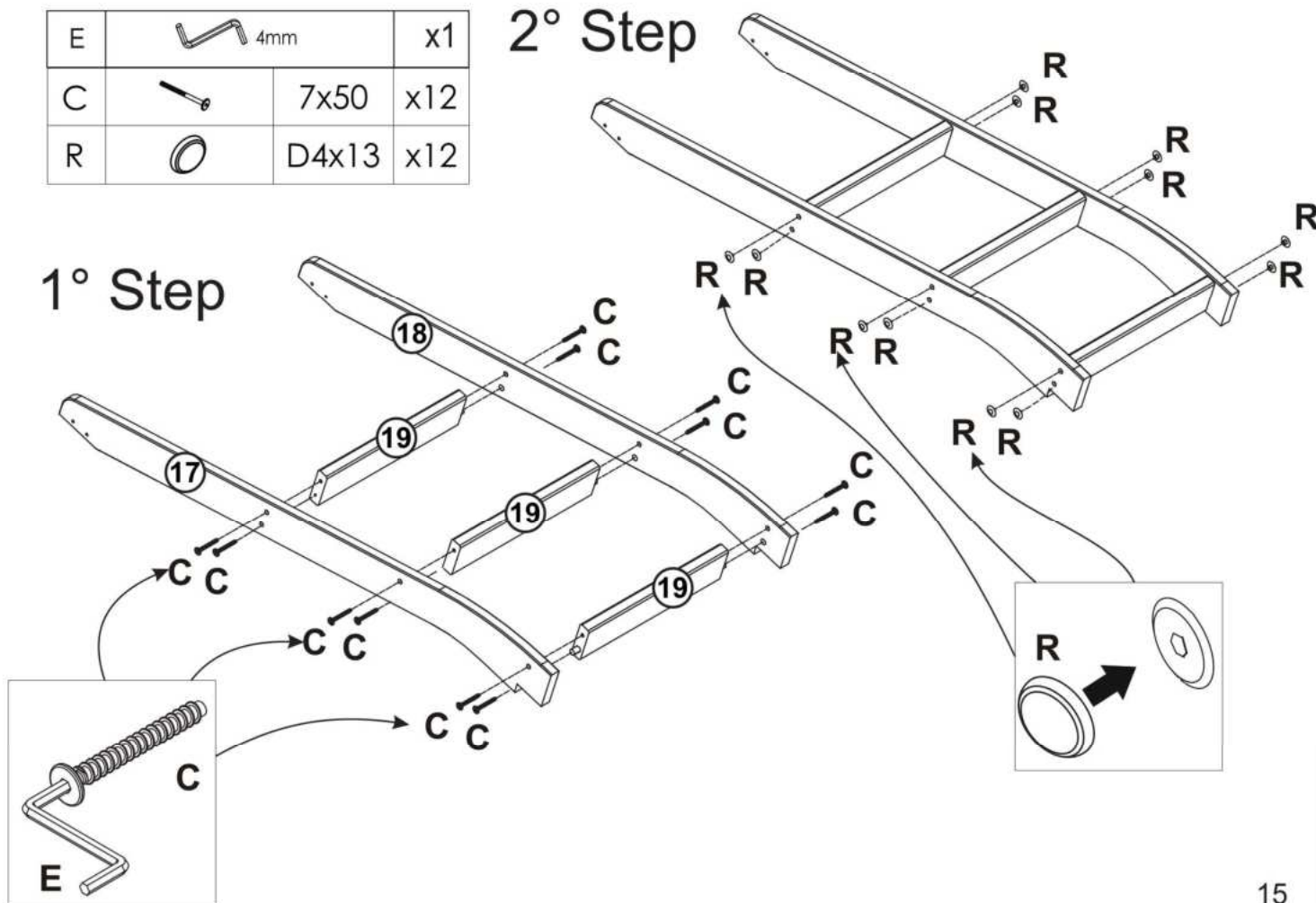
16

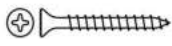


ASSEMBLING LADDER

E	 4mm	x1
C	 7x50	x12
R	 D4x13	x12

2° Step

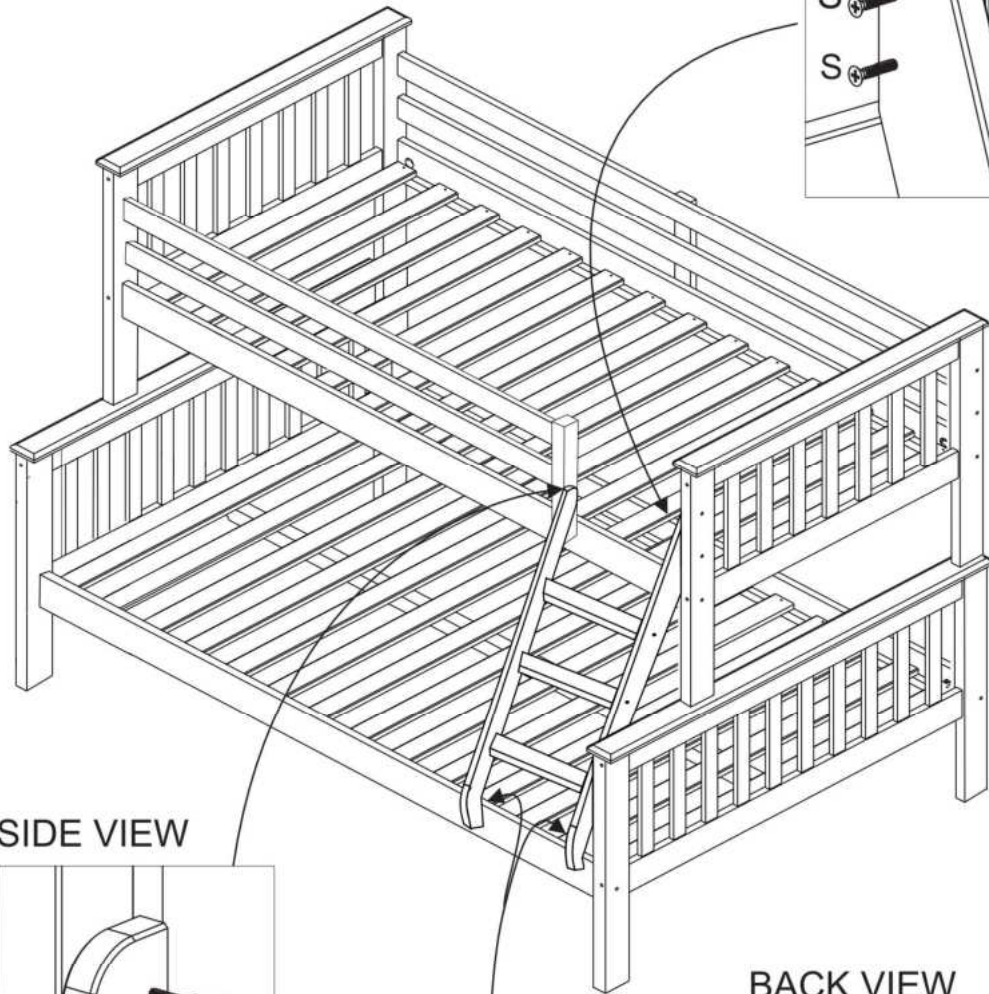
1° Step



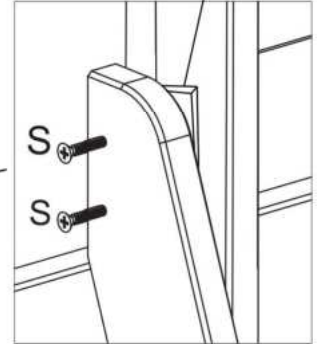
S		4,0x50	x4
i		4,0X16	x4
G		Metal Joint	x2



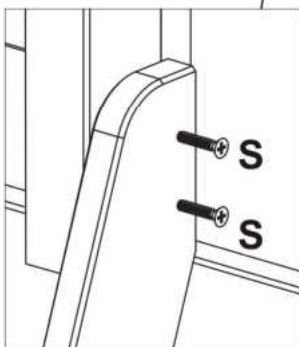
Do Not Use Power Tools



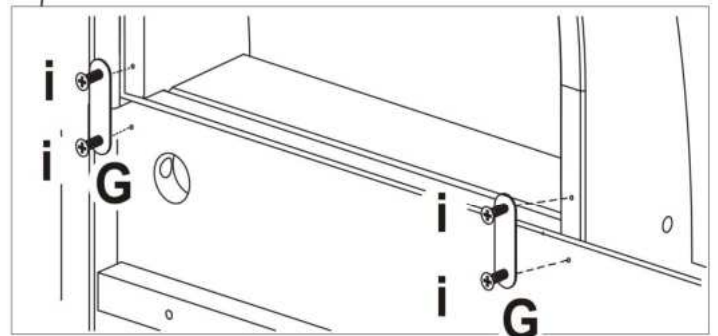
SIDE VIEW



SIDE VIEW






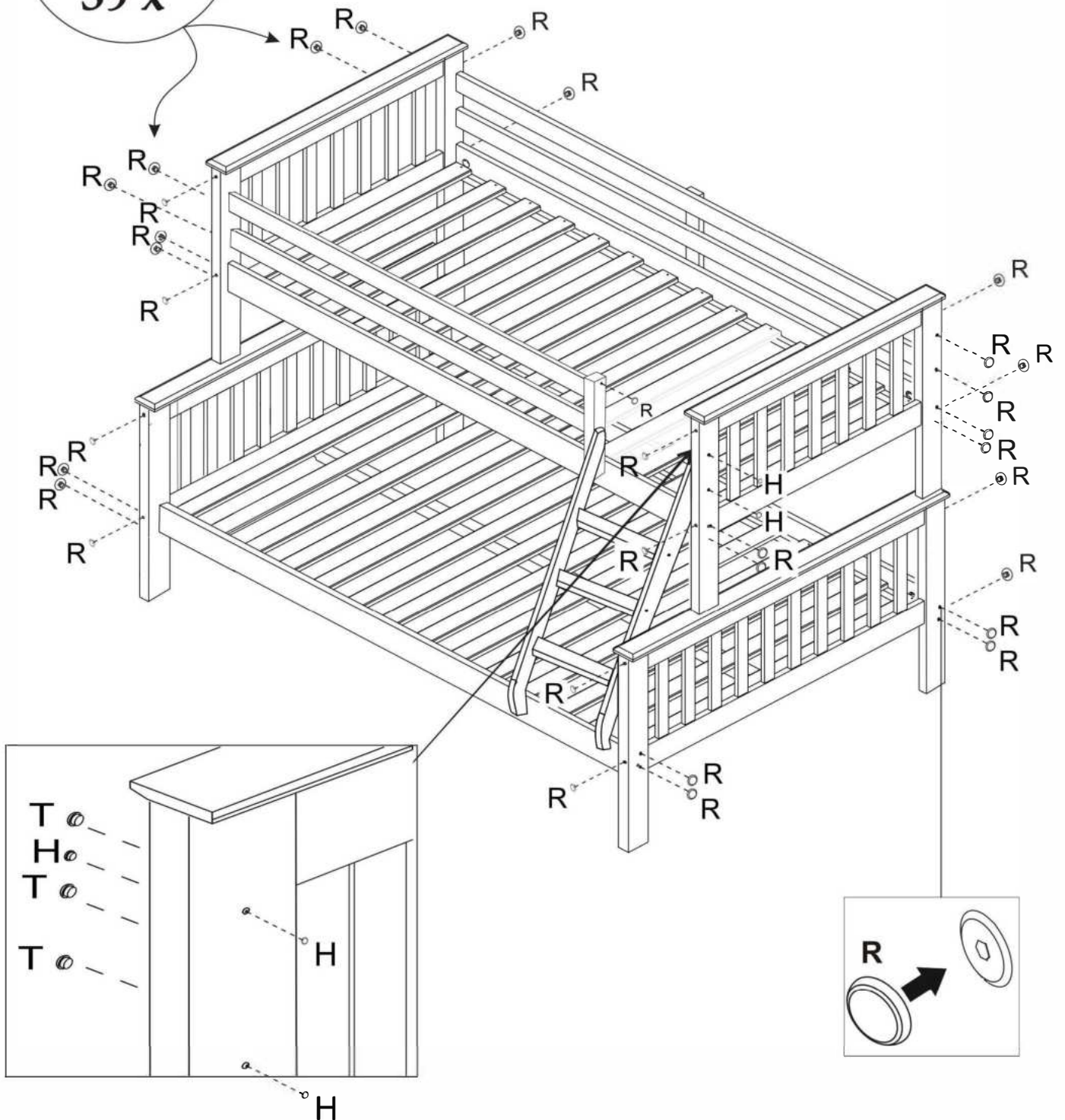
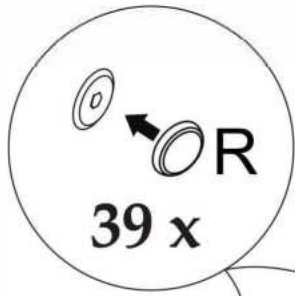
BACK VIEW



Screwdriver

18

H			x3
T			x3
R			x39



Your New Atlantis Triple Bed Is Now Complete And Ready To Use.

Please dispose of all packaging safely.

General Care & Maintenance

Wipe clean with a slightly damp cloth.
Avoid the use of all household cleaners and abrasives.

Periodically check all screw & fixings to ensure they are secure.

When moving your product, carefully lift into place. Never drag or push the product across the floor as this will cause damage to the joints. If the product is used on hard flooring, such as wood or laminated floor, you must place some protection under the legs to stop the product from moving. If this is not adhered to, it could result in failure to the product that will invalidate the warranty.

For more information on cleaning and product care visit:
<https://www.happybeds.co.uk/help-and-advice>

Notes

In the unlikely event that you have problems putting this product together or have damaged or missing parts, please contact us by visiting:
<https://www.happybeds.co.uk/customer-service>