

## Assembly Instructions

### Important before assembly:

Read these instructions carefully before assembling or using the product.

Please check the contents of the boxes before attempting to assemble this product. The instructions will have a checklist of parts and fittings.

Assemble the product as close to its intended final location/room as possible.

### Health & Safety:

This product or some parts of this product will be heavy. Please use an assistant when lifting.

Please keep small parts out of reach of children.

Always use on a level, even surface.

DO NOT jump on the product or any of its parts.

DO NOT use this product if any parts are missing, damaged or worn.

DO NOT use this product unless all fixings are secured.

**Further instructions are on the following pages.**

Please keep these instructions for future reference.



This product or some parts of this product will be heavy. Please use an assistant when lifting.



Never drag or push the pieces across a hard or stone floor as this will cause damage to the joints. Use a carpet or a rug for extra care.



If you have problems assembling or have damaged or missing pieces, please contact our customer services (details at the back of these instructions)

# Happy beds™

[www.happybeds.co.uk](http://www.happybeds.co.uk)

## Health & Safety:

This product or some parts of this product will be heavy. Please use an assistant when lifting.

Please keep small parts out of reach of children.

Always use on a level, even surface.

DO NOT jump on the product or any of its parts.

DO NOT use this product if any parts are missing, damaged or worn.

DO NOT use this product unless all fixings are secured.

Please keep these instructions for future reference.

## Important for Ottoman and other gas lift beds

### Note:

The gas lifts are fully extended during shipment for safety. After assembly a firm downward push will be required to overcome any resistance in the gas lifts as these may initially stick. We suggest placing a mattress on top of the bed base to aid this and also test the operation of your new lift-up bed by lifting and pushing down the bed base a few times to free off the system.

Do NOT operate the lift-up mechanism without the mattress placed on the base. The lift mechanism provides assistance with the lift of the mattress fitted to the base. It does not lift the mattress for you. The system has been designed to effectively lift the base system fitted with a variety of mattress weights and combinations of depths. The gas cylinders fitted to the system may be stiff when first used or if the system has not been operated for a period of time.

If provided, use the strap handle to lift up the mattress base using two hands. Pull the mattress base down using two hands equally spaced from the centre of the mattress base. DO NOT pull down on one side of the base only as this is likely to damage the base system with potential failure of the mattress base system and lift mechanism.

### Caution:

Do NOT allow children to operate the lift mechanism.

Do NOT allow children near the lift base when operating the mechanism.

Do NOT allow children in the area of the internal storage base.

Keep hands clear of the mechanism when operating the base system.

Do NOT stand inside the bed or the internal storage base.

Do NOT overload the internal storage base.

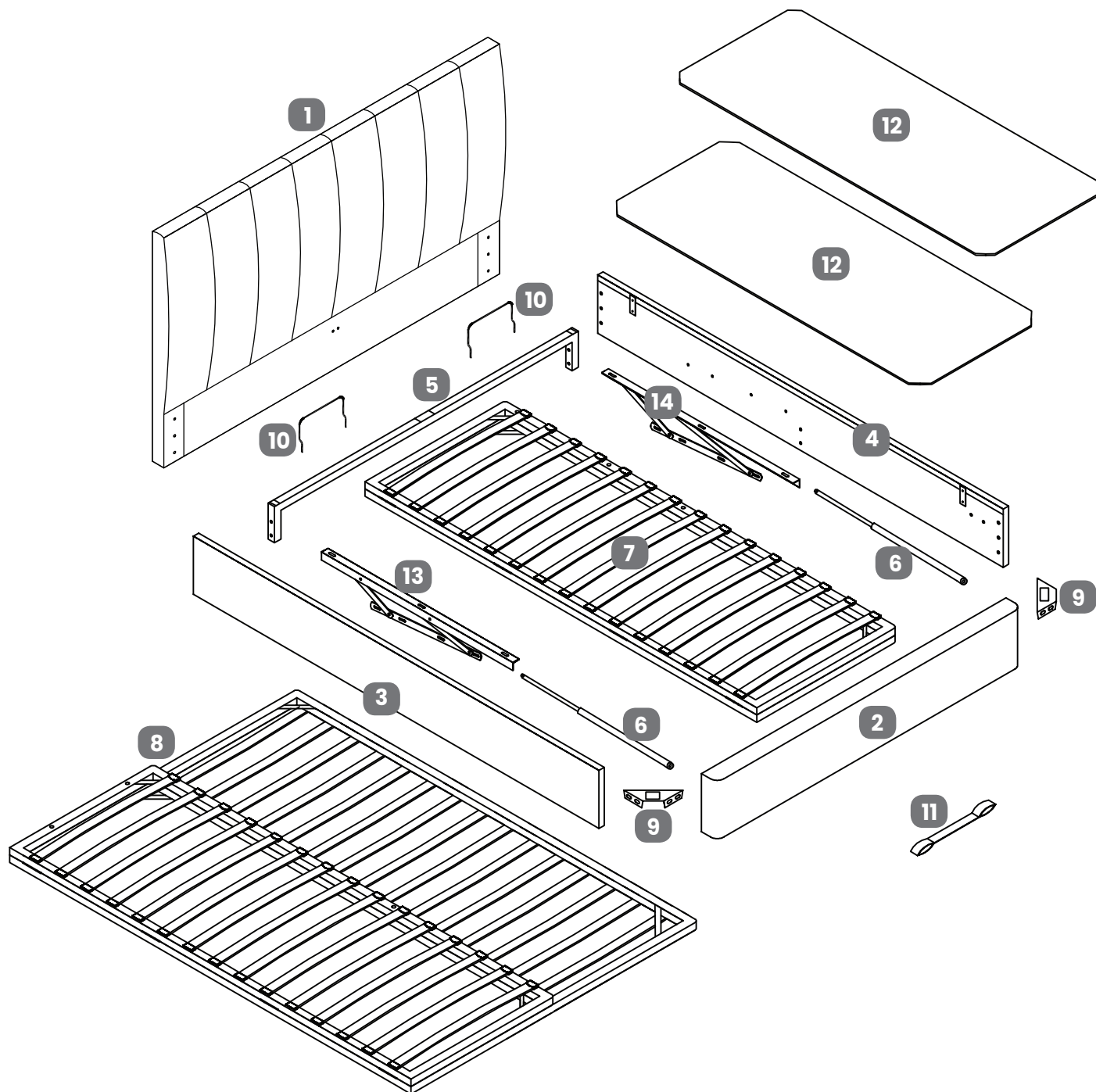


# Happy beds™

www.happybeds.co.uk

No	Part List	Qty	Box
1	Headboard	1 pc	1
2	Footboard	1 pc	3
3	Side rail - LH	1 pc	2
4	Side rail - RH	1 pc	2
5	"U" shaped cross bar	1 pc	3
6	Gas lift pistons	2 pcs	3
7	Metal slat frame for Double and King Size	1 pc	3
8	Metal slat frame for Super King Size	1 pc	3




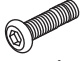





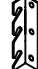

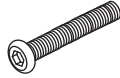
No	Part List	Qty	Box
9	Angle brackets	2 pcs	3
10	Mattress stoppers	2 pcs	3
11	Fabric handle	1 pc	3
12	Base boards Double & King/Super King	2/3 pcs	3
13	Gas-lift mechanism - LH	1 pc	3
14	Gas-lift mechanism - RH	1 pc	3



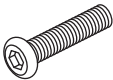
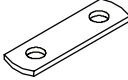



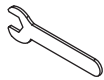
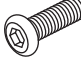
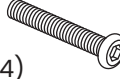

# Happy beds™

www.happybeds.co.uk




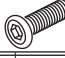

## HARDWARE NEEDED FOR BED ASSEMBLY (PACK A)





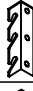

No	Hardware List	Qty	Box	No	Hardware List	Qty	Box
B	Spring washer for M8 bolts 	24 pcs	3	H	Allen key for M6 bolts 	1 pc	3
C	Flat washer for M8 bolts 	24 pcs	3	J	Bolts (M6x20mm) for fitting bracket (K) to headboard and footboard 	Double & King 12 pcs	3
D	Allen key for M8 bolts 	1 pc	3			Super King 16 pcs	
E	Bolts (M8x25mm) for fitting bracket 	24 pcs	3	K	"L" shape bracket 	Double & King 2 pcs	3
F	Spring washer for M6 bolts 	Double & King 16 pcs	3			Super King 4 pcs	
G		Flat washer for M6 bolt 		Double & King 16 pcs	3	La	Hook bracket 
	Super King 20 pcs			Lb		Hook bracket 	2 pcs
				N	Bolts (M6x45mm) for fitting "U" shape cross bar to side rails (3&4) 	4 pcs	3

## HARDWARE NEEDED FOR METAL SLAT FRAME ASSEMBLY (PACK B)

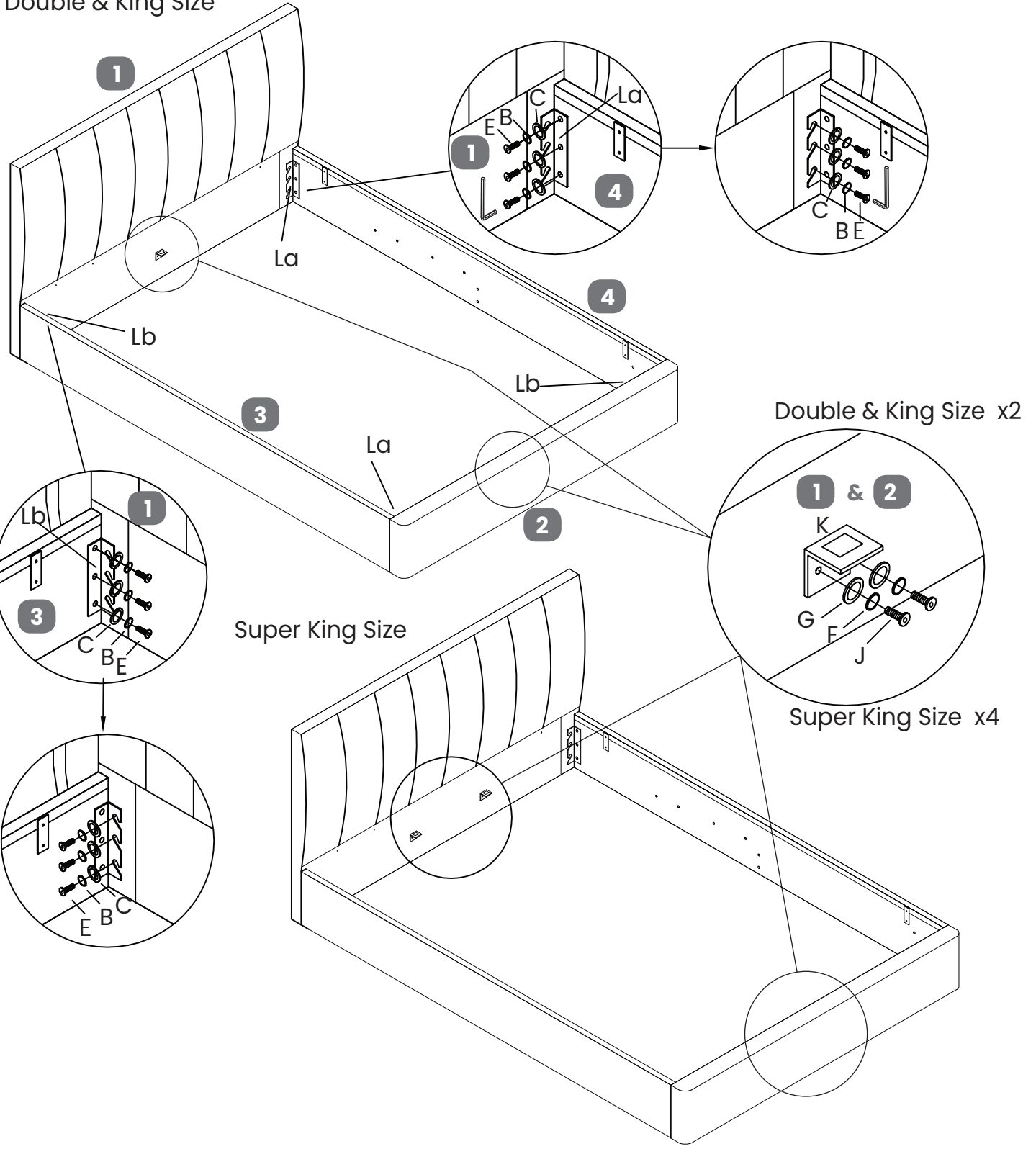
No	Hardware List	Qty	Box	No	Hardware List	Qty	Box
A	Bolts (M8x35mm) for fitting lift mechanism (13&14) 	8 pcs	3	R	Metal connection plate 	2 pcs	3
B	Spring washer for M8 bolts 	18 pcs	3	S	Flanged M8 lock-nuts 	10 pcs	3
C	Flat washer for M8 bolts 	24 pcs	3	T	Spanner for flanged M8 lock-nuts 	1 pc	3
E	Bolts (M8x25mm) for fitting bracket 	4 pcs	3	U	Bolts (M8x50mm) for fitting metal slat frame (7) to lift mechanism (13&14) 	6 pcs	3
Q	Plastic spacer for lift mechanism (13&14) 	8 pcs	3				

**Step 1:**

B	Spring Washer for M8 bolts		24 pcs
C	Flat Washer for M8 bolts		24 pcs
D	Allen key for M8 bolts		1 pc
E	Bolts (M8x25mm)		24 pcs
F	Spring Washer for M6 bolts		Double & King Size 4 pcs
			Super King Size 8 pcs

G	Flat Washer for M6 bolts		Double & King Size	4 pcs
			Super King Size	8 pcs
H	Allen key for M6 bolts			1 pc
J	Bolts (M6x20mm)		Double & King Size	4 pcs
			Super King Size	8 pcs
K	"L" Shape Bracket		Double & King Size	2 pcs
			Super King Size	4 pcs
La	Hook bracket			2 pcs
Lb	Hook bracket			2 pcs

Double & King Size

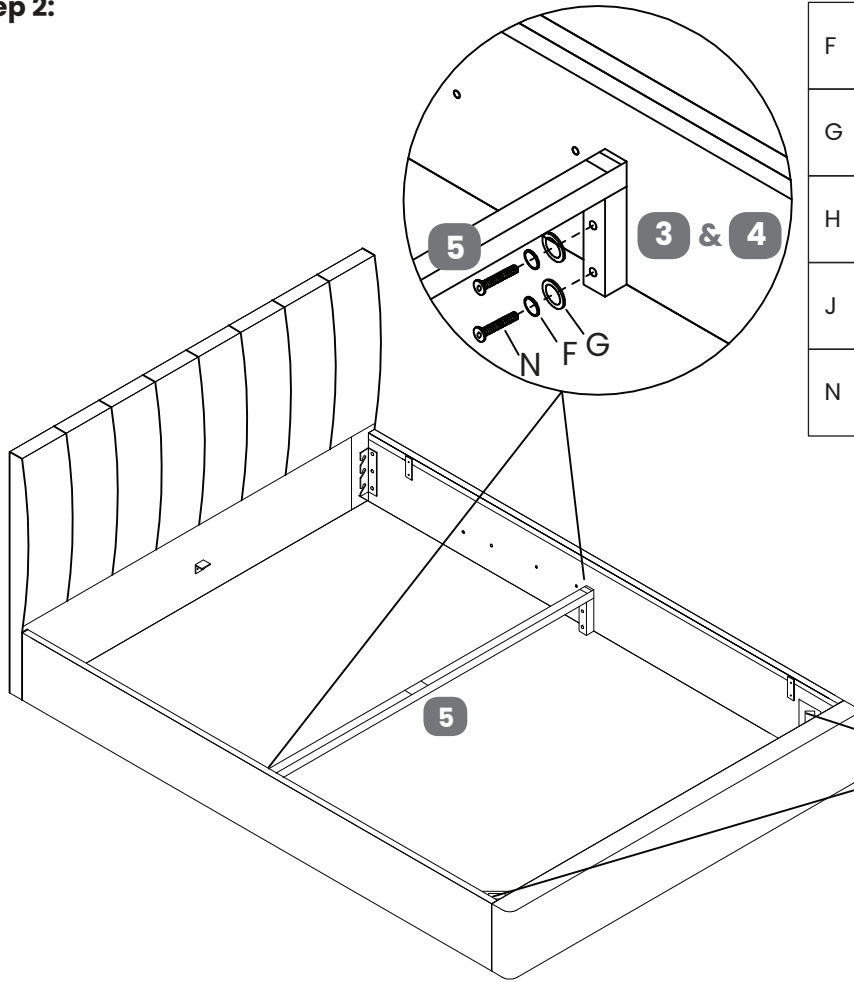


Super King Size

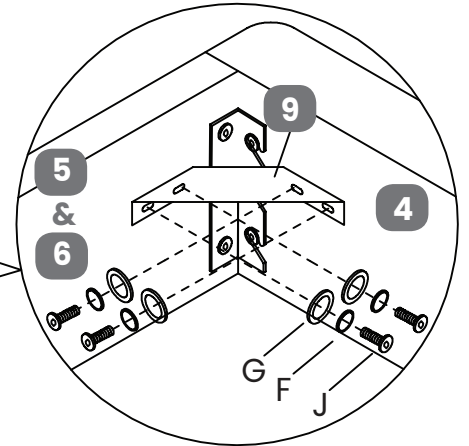
Double & King Size x2

Super King Size x4

**Step 2:**



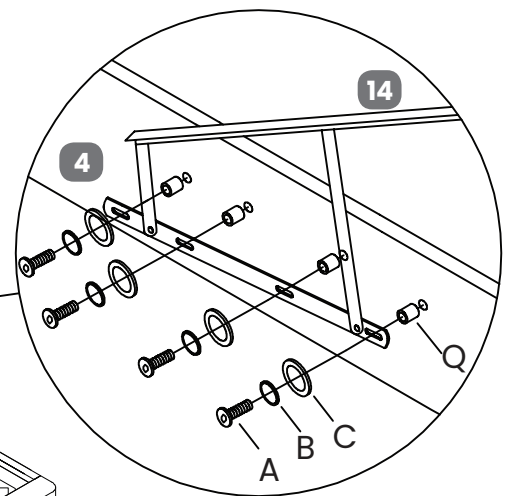
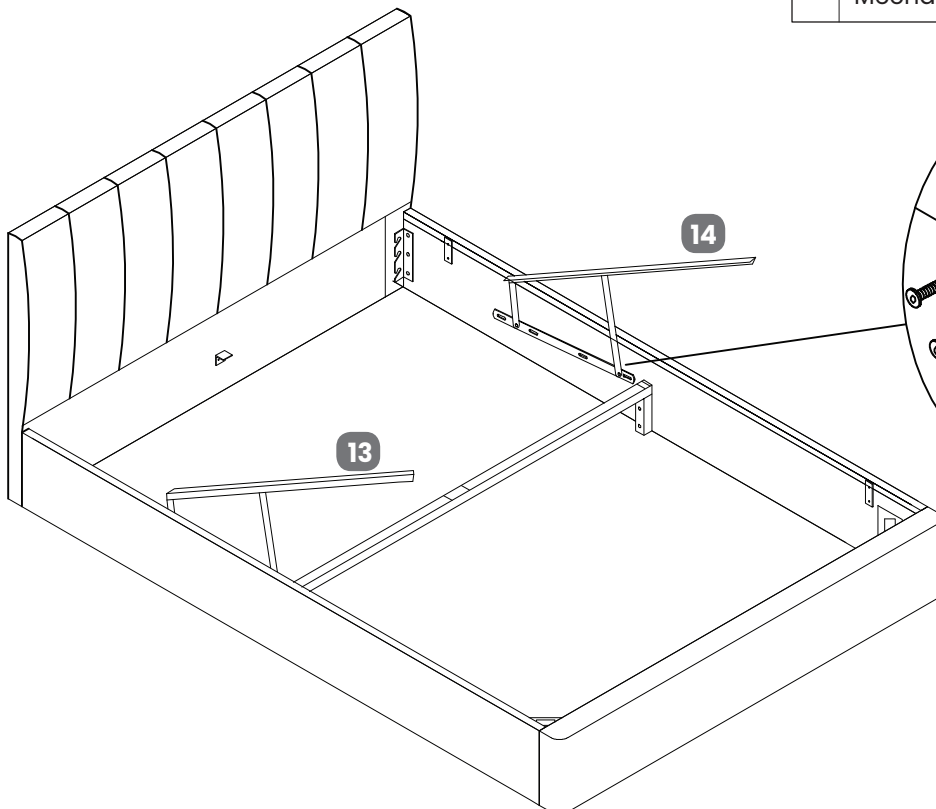
F	Spring Washer for M6 bolts		12 pcs
G	Flat Washer for M6 bolts		12 pcs
H	Allen Key for M6 bolts		1 pc
J	Bolts (M6x20mm)		8 pcs
N	Bolts (M6x45mm)		4 pcs





**Step 3:**



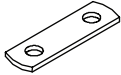
A	Bolts (M8x35mm)		8 pcs
B	Spring Washer for M8 bolts		8 pcs

C	Flat Washer for M8 bolts		8 pcs
D	Allen Key for M8 bolts		1 pc
Q	Plastic Spacer for Lift Mechanism (13 & 14)		8 pcs



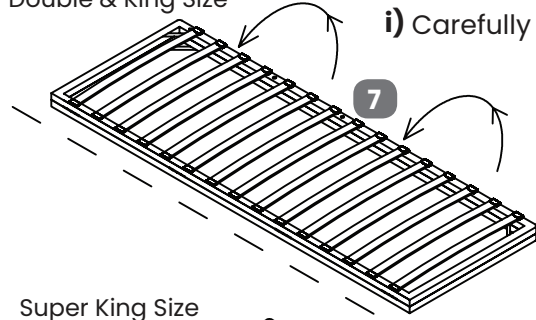
**Step 4:**

B	Spring Washer for M8 bolts		4 pcs
C	Flat Washer for M8 bolts		4 pcs

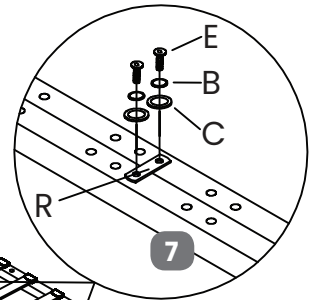
D	Allen Key for M8 bolts		1 pc
E	Bolts (M8x25mm)		4 pcs
R	Metal Connection Plate		2 pcs

Double & King Size

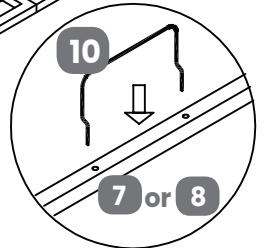
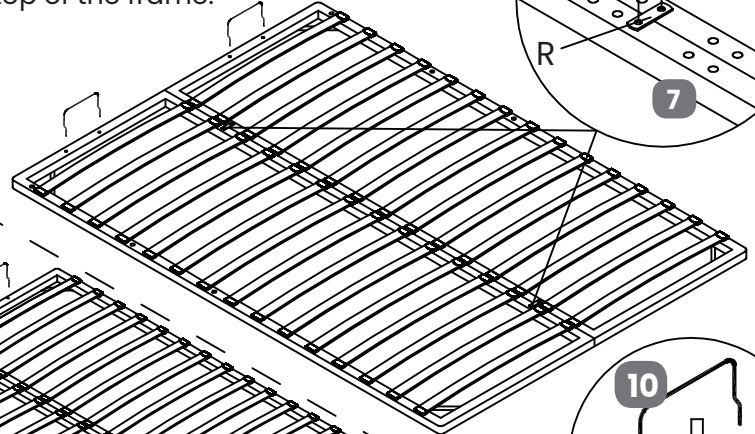
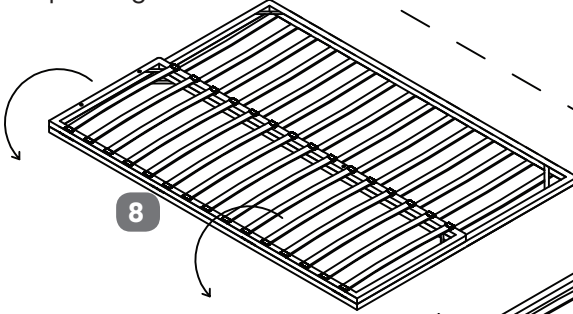
i) Carefully open the frame.



ii) To top of slat frame, fit two connection plates (R). Using four sets of bolts (E), spring washers (B) & flat washers (C), screw into the threaded inserts on top of the frame.








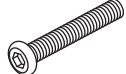
Super King Size

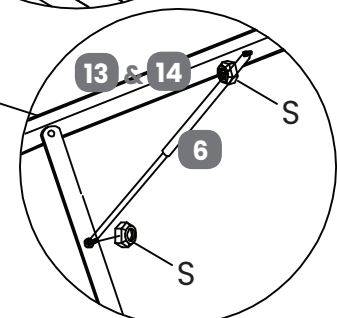
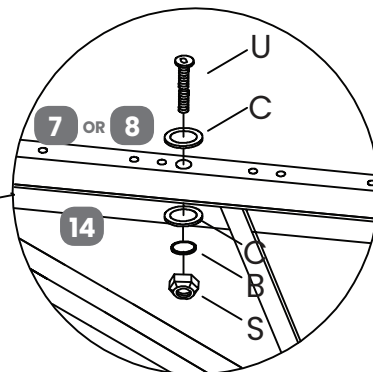
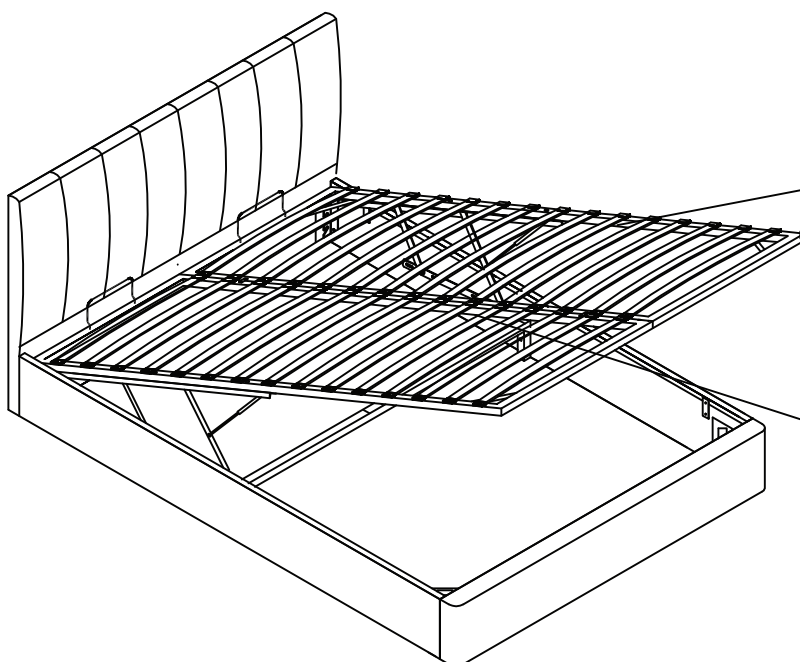


iii) Push x2 Mattress Stoppers (10) into metal frame, they should go all the way through the upper & lower metal sections.

**Step 5:**

B	Spring Washer for M8 bolts		6 pcs
C	Flat Washer for M8 bolts		12 pcs
D	Allen Key for M8 bolts		1 pc

S	Flanged M8 lock-nuts for gas-lift piston		10 pcs
T	Spanner for flanged M8 lock-nuts		1 pc
U	Bolts (M8x50mm)		6 pcs

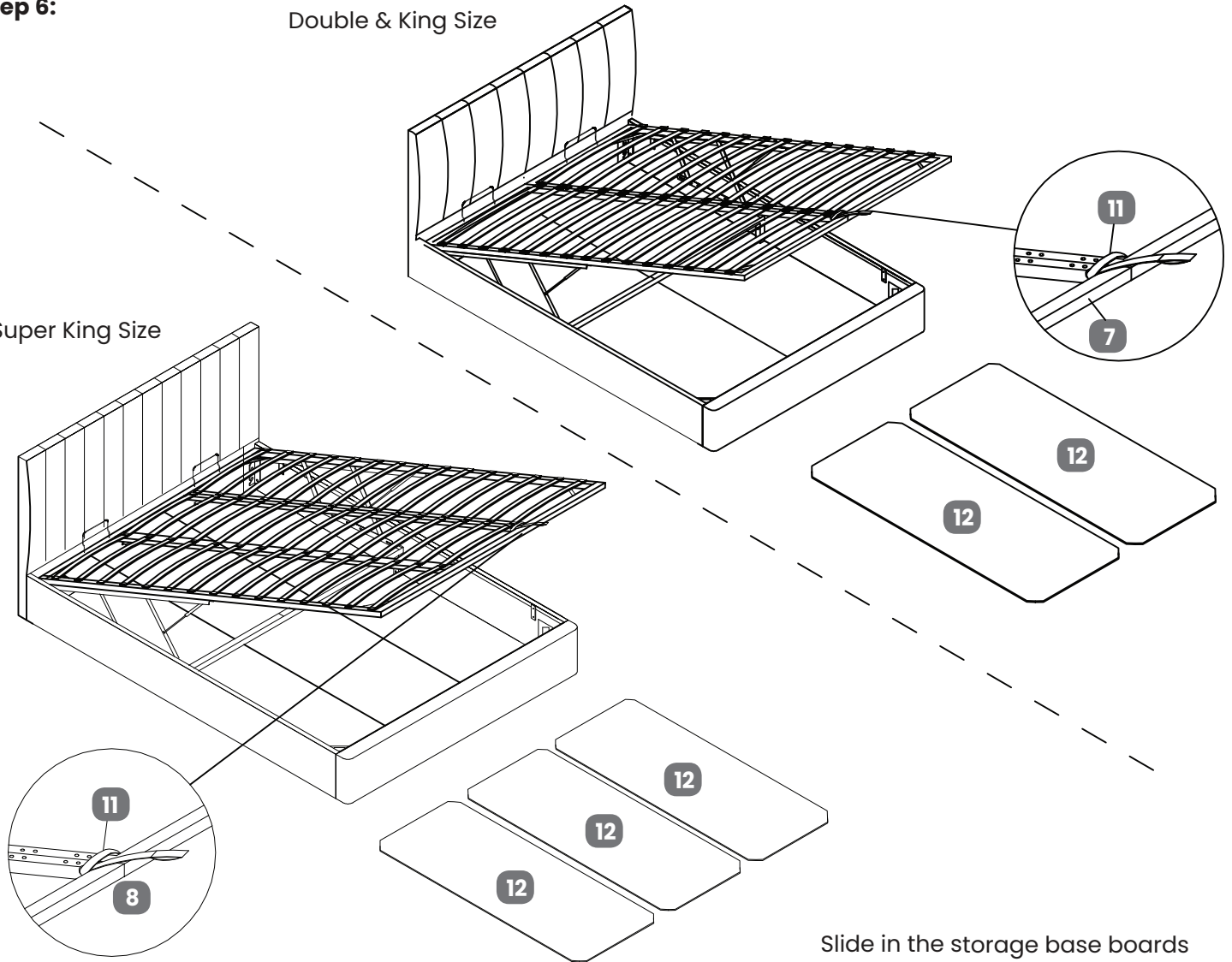




**Step 6:**

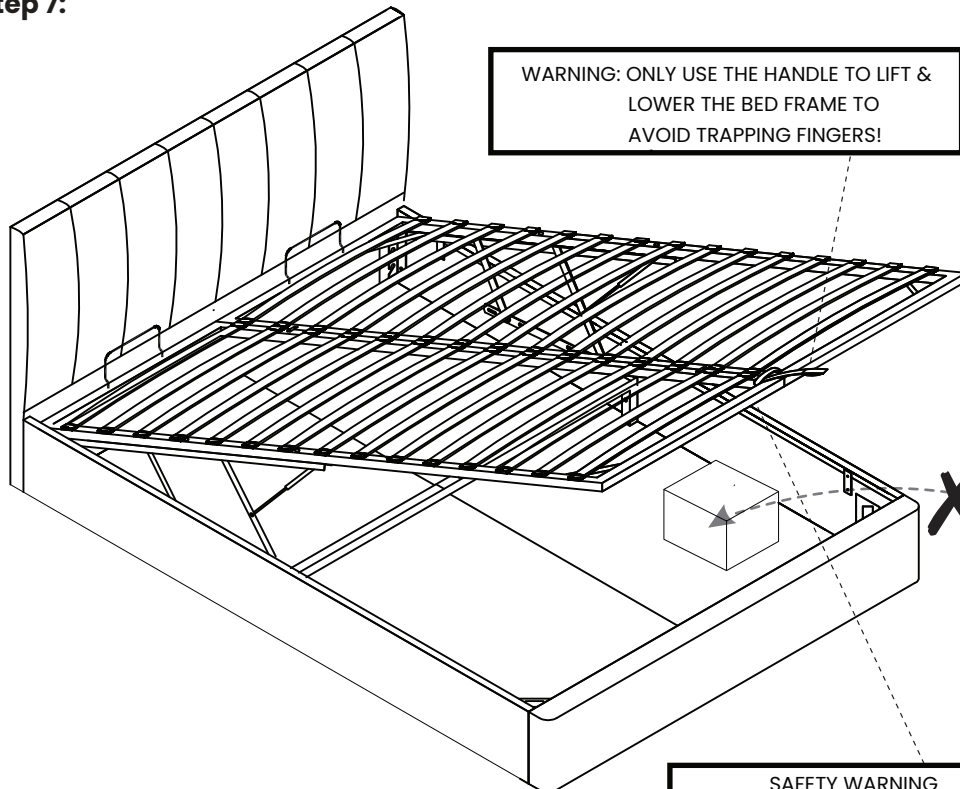
Double & King Size

Super King Size



Slide in the storage base boards

**Step 7:**



**WARNING: ONLY USE THE HANDLE TO LIFT & LOWER THE BED FRAME TO AVOID TRAPPING FINGERS!**

**TO AVOID ACCIDENTS**  
TO ACCESS THE STORAGE AREA THE OTTOMAN FRAME **MUST BE FULLY OPENED** AND THEN **FULLY CLOSED** AFTERWARDS

Note: Be very careful what you store under the bed - the top of an item, like a suitcase or a box, must not touch the slats or they may be damaged. Maximum storage height is 210mm.

**SAFETY WARNING**  
PLEASE DO NOT ALLOW CHILDREN OR PETS INSIDE THE STORAGE AREA.

**SAFETY WARNING**  
PLEASE BE CAREFUL WHEN LIFTING. ONLY LIFT WITH MATTRESS ON TOP. TO BE OPERATED BY ADULTS ONLY.

Please dispose of all packaging safely.

## General Care & Maintenance

Wipe clean with a slightly damp cloth.  
Avoid the use of all household cleaners and abrasives.

Periodically check all screw & fixings to ensure they are secure.

When moving your product, carefully lift into place. Never drag or push the product across the floor as this will cause damage to the joints. If the product is used on hard flooring, such as wood or laminated floor, you must place some protection under the legs to stop the product from moving. If this is not adhered to, it could result in failure to the product that will invalidate the warranty.

For more information on cleaning and product care visit:  
<https://www.happybeds.co.uk/help-and-advice>

## Notes

In the unlikely event that you have problems putting this product together or have damaged or missing parts, please contact us by visiting:  
<https://www.happybeds.co.uk/customer-service>