

Assembly Instructions

Important before assembly:

Read these instructions carefully before assembling or using the product.

Please check the contents of the boxes before attempting to assemble this product. The instructions will have a checklist of parts and fittings.

Assemble the product as close to its intended final location/room as possible.

Health & Safety:

This product or some parts of this product will be heavy. Please use an assistant when lifting.

Please keep small parts out of reach of children.

Always use on a level, even surface.

DO NOT jump on the product or any of its parts.

DO NOT use this product if any parts are missing, damaged or worn.

DO NOT use this product unless all fixings are secured.

Further instructions are on the following pages.

Please keep these instructions for future reference.



This product or some parts of this product will be heavy. Please use an assistant when lifting.



Never drag or push the pieces across a hard or stone floor as this will cause damage to the joints. Use a carpet or a rug for extra care.



If you have problems assembling or have damaged or missing pieces, please contact our customer services (details at the back of these instructions)

ASSEMBLY INSTRUCTIONS

AXEL 1 DRAWER FLUTED BEDSIDE TABLE

IMPORTANT: READ THESE INSTRUCTIONS CAREFULLY BEFORE ASSEMBLING OR USING YOUR AXEL 1 DRAWER FLUTED BEDSIDE TABLE.

PLEASE KEEP THESE INSTRUCTIONS FOR FUTURE REFERENCE.

ASSEMBLY:

Assembly should be carried out with this item laying flat, not standing upright.

Assemble on a soft, clean surface to prevent damages.

To erase the numbers printed on the pieces, use the rubber inside the accessories pack.

HEALTH & SAFETY:

DO NOT use this product if any parts are missing, damaged or worn.

DO NOT use this product unless all fixings are secured.

Always use on a level, even surface.

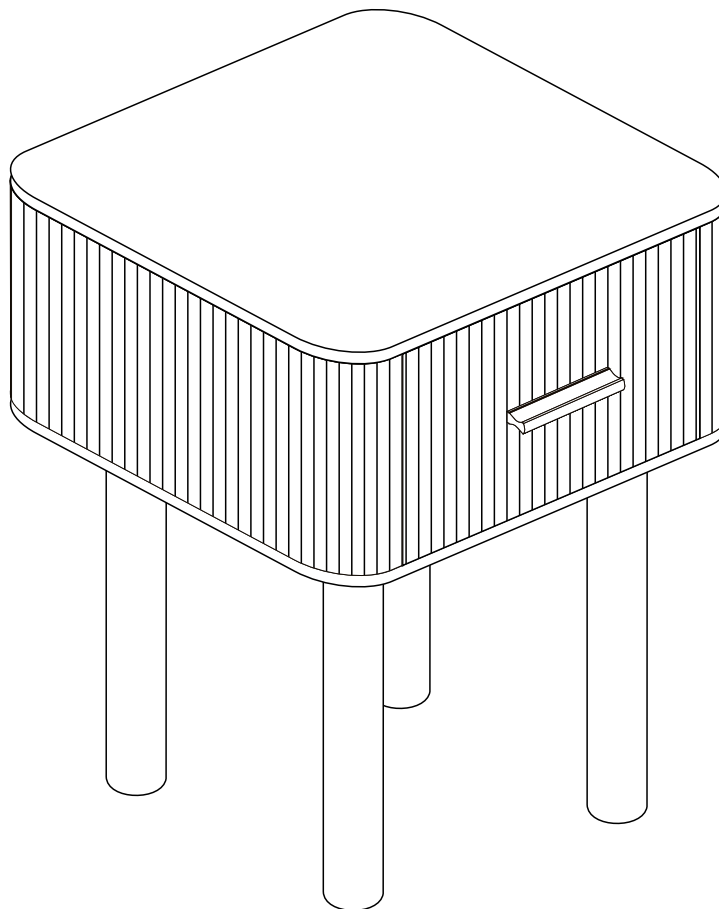
CARE & MAINTENANCE:

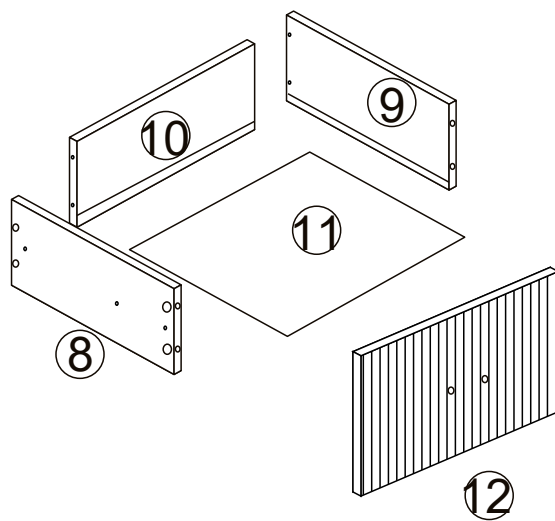
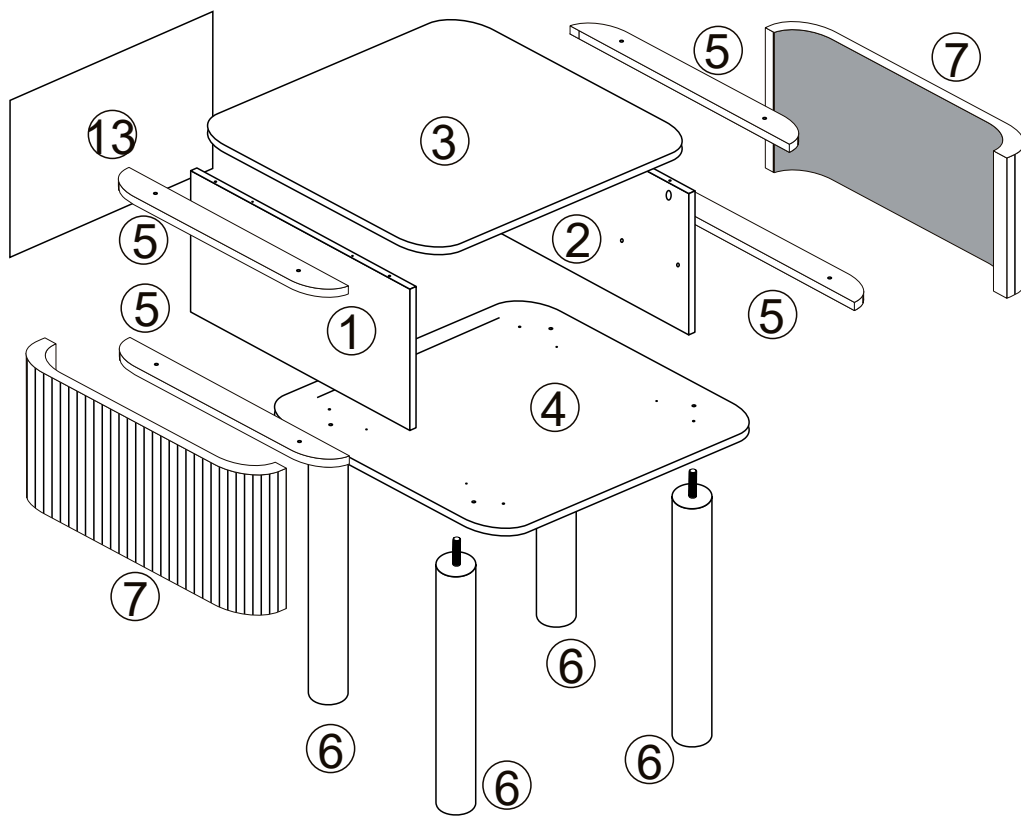
Periodically check all screws & fixings to ensure they are secure.






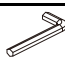
DO NOT push this product as this will cause damage.

Always lift this product with two people to repositions.

Keep any sharp objects away from this product.





Parts List				Hardware List		
Part	Description	Box	QTY	Part	Description	QTY
1	Side Panel(Left)	1	1	A	Cam Bolt 	8
2	Side Panel(Right)	1	1	B	Cam Lock 	8
3	Top Panel	1	1	C	Wooden Dowel 	8
4	Bottom Panel	1	1	D	Screw(M4X35MM) 	4
5	Connect Panel	1	4	E	Handle Set 	1
6	Wooden leg	1	4	F	Screw(M4X25MM) 	8
7	Side Frame Panel	1	2	G	Screw(M3X12MM) 	12
8	Drawer Side Panel(Left)	1	1	H	Foot Pad 	4
9	Drawer Side Panel(Right)	1	1	I	Plastic Wedge Set 	4
10	Drawer Back Panel	1	1	J	Screw 	4
11	Drawer Bottom Panel	1	1	K	Sticker 	4
12	Drawer Front Panel	1	1	L	Allen Key 	1
13	Back Panel	1	1	M	Washer 	1
				N	Safe Strap 	1
				O	Rail 	2
				P	Rail 	2
				Q	Screw(M4X14MM) 	1

**** You will need a small mallet and a screwdriver for assembly.**

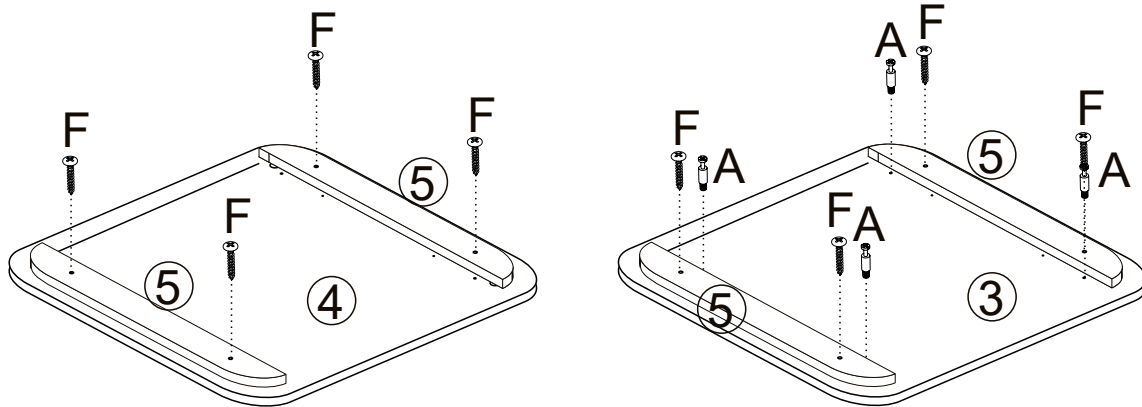
**** Some screws and wooden dowel may remain.**

**** Note : To secure the item to the wall.**

STEP 1: Connect panel(5) with bottom panel(4) by hardware (F);
 Connect panel(5) with top panel(3) by hardware (F);
 Attach the hardware A on the top panel (3).

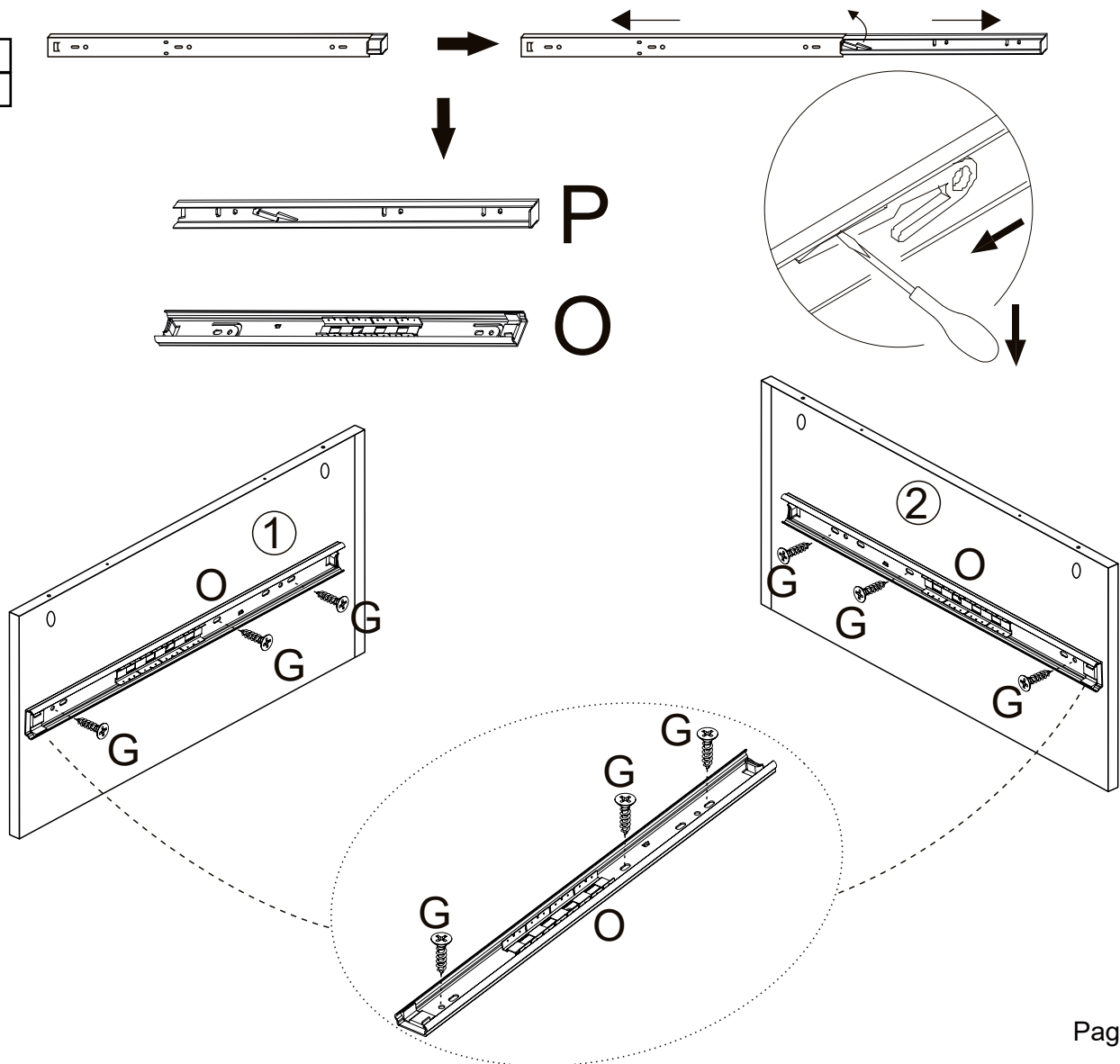
AX4
FX8

DO NOT use any power tools as this may damage the frame and will invalidate any claim.



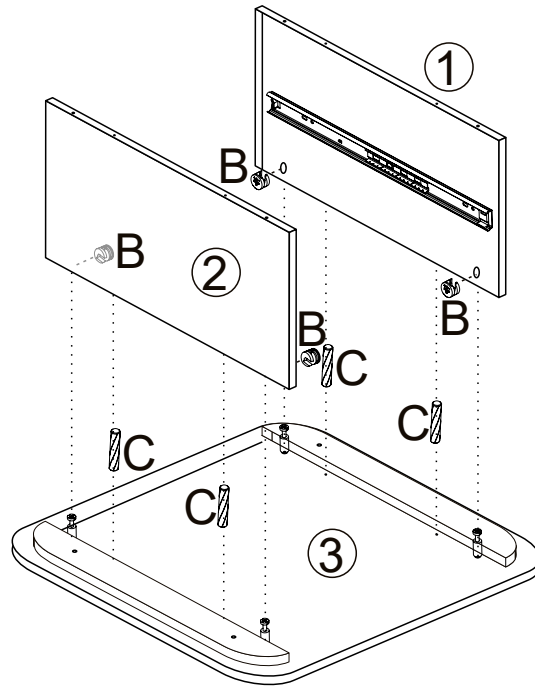
STEP 2: Open the expansion track as shown in the diagram below;
 Then, assemble the runner(O) on left&right side panel(1),(2) by hardware (G);
DO NOT use any power tools as this may damage the frame and will invalidate any claim.

OX2
GX6



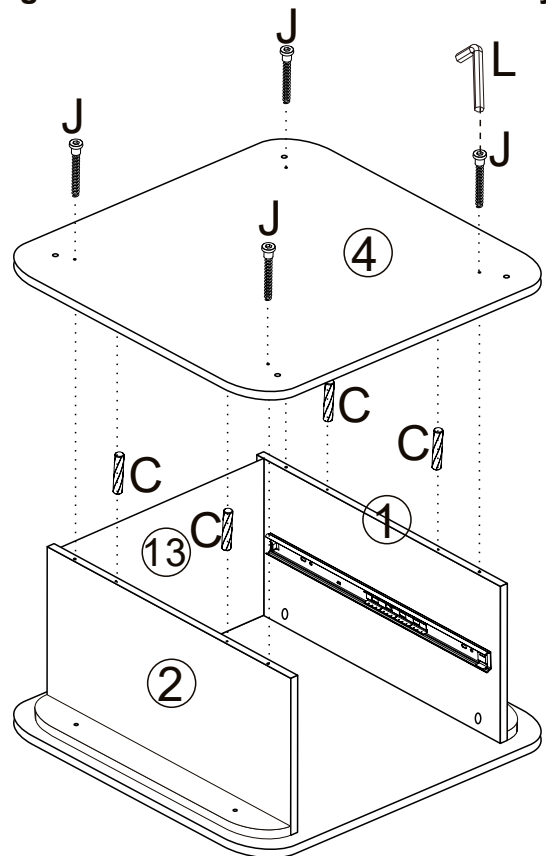
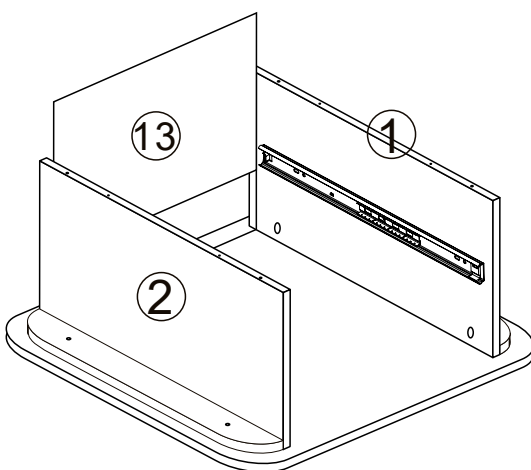
STEP 3: Assemble the top panel(3) with the left&right side panel(1),(2)by hardware (B,C).
DO NOT use any power tools as this may damage the frame and will invalidate any claim.

BX4
CX4



STEP 4: Attach the back panel (13) before assemble the bottom panel;
 Attach the bottom panel (4) by hardware (C,J,L).
DO NOT use any power tools as this may damage the frame and will invalidate any claim.

CX4
JX4
LX1

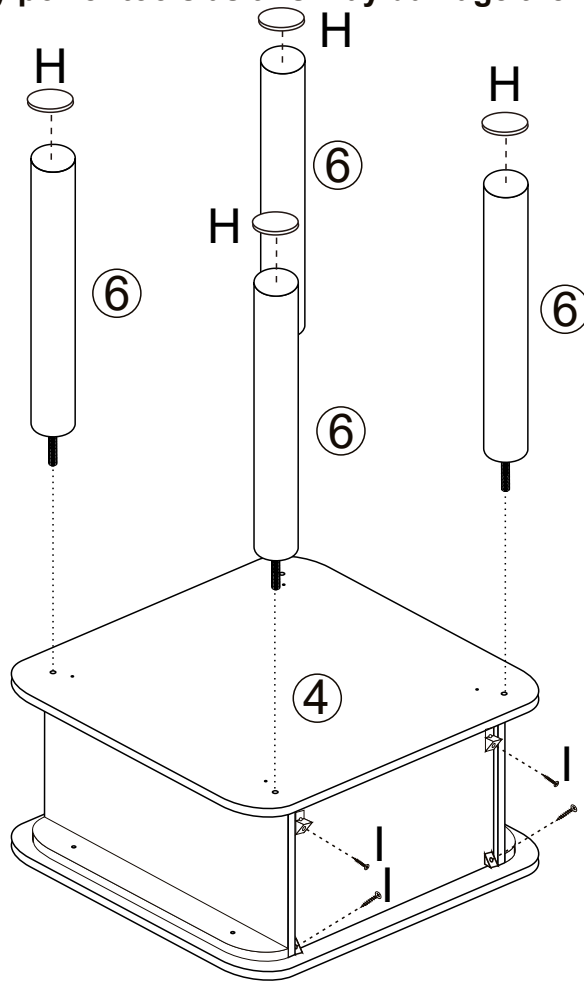


STEP 5: Attach the legs(6) and then attach the hardware pad(H).

Attach the hardware (I) on the back of the item.

DO NOT use any power tools as this may damage the frame and will invalidate any claim.

HX4
IX4



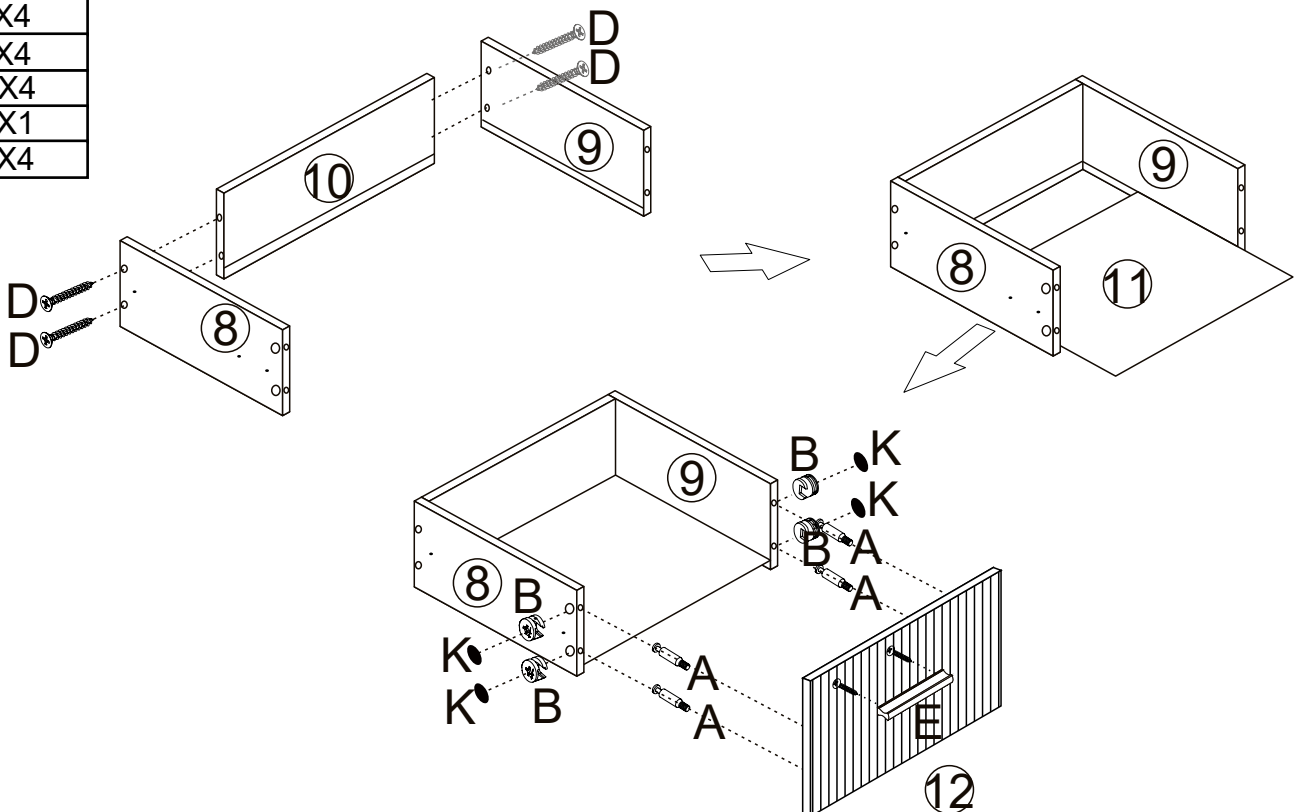
STEP 6: Attach drawer back panel(10) to drawer side panel(8),(9) using hardware (D);

Attach the bottom panel(11) before assembly the drawer front panel(12);

Attach the drawer front panel(12) by hardware (A,B,K);and then,assemble the handle(E);

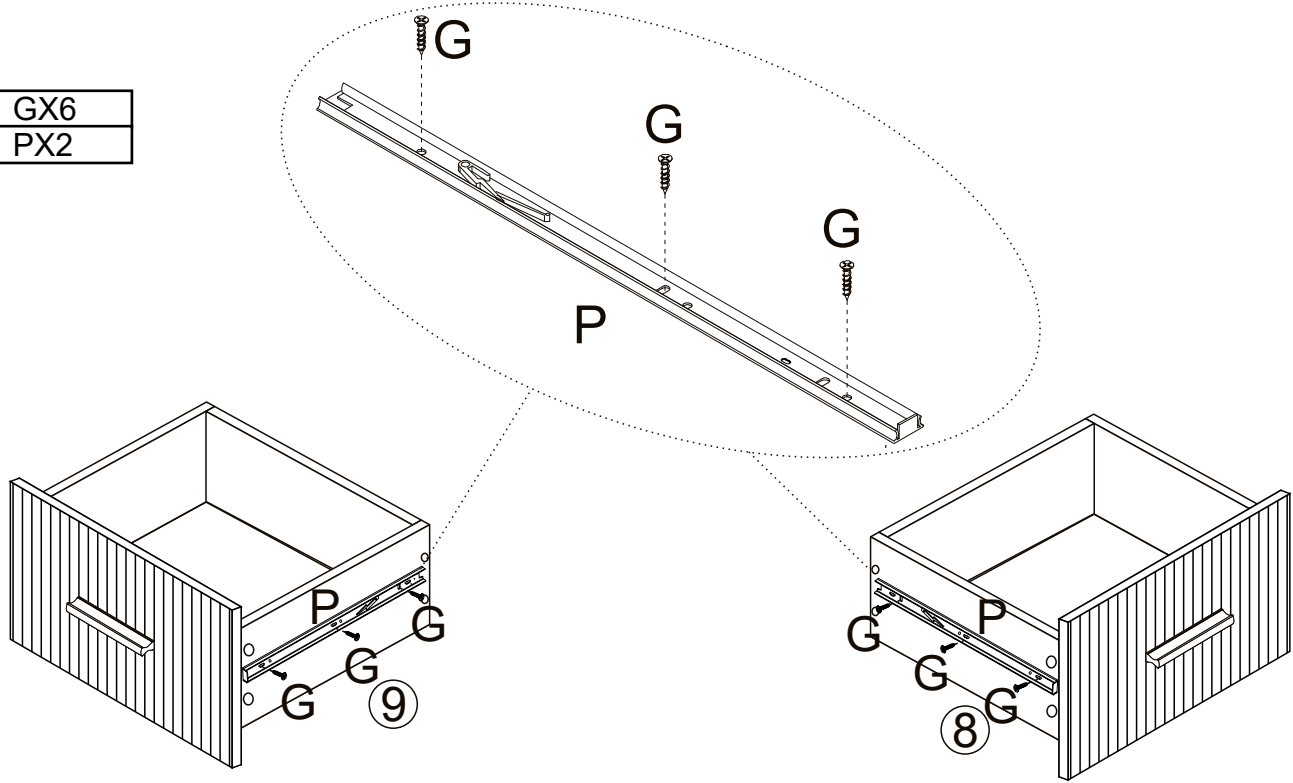
DO NOT use any power tools as this may damage the frame and will invalidate any claim.

AX4
BX4
DX4
EX1
KX4

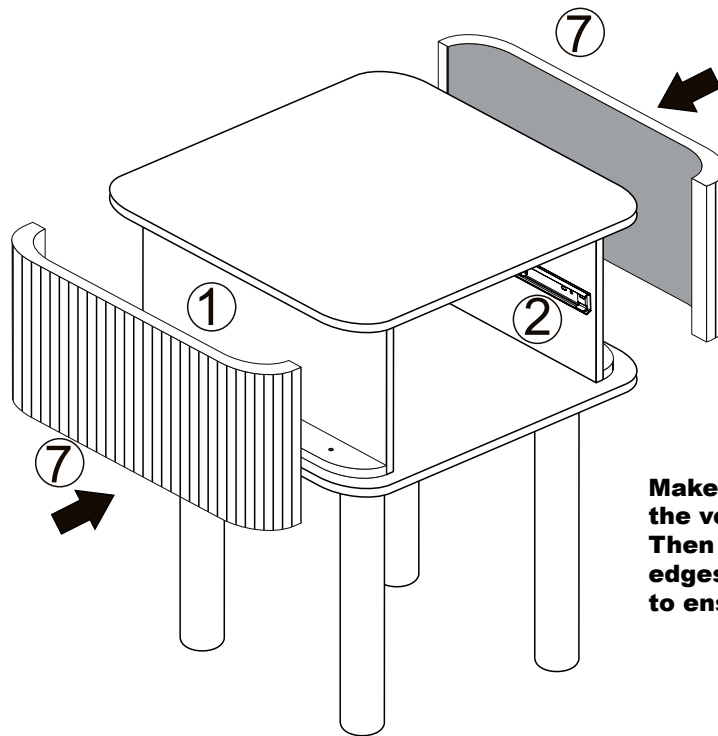


STEP 7: Attach the runner (P) to the drawer left & right side panel (8), (9) by hardware (G).
DO NOT use any power tools as this may damage the frame and will invalidate any claim.

GX6
PX2



STEP 8: Attach the side frame panel (7) and then press to make sure the velcro is sticking.
DO NOT use any power tools as this may damage the frame and will invalidate any claim.



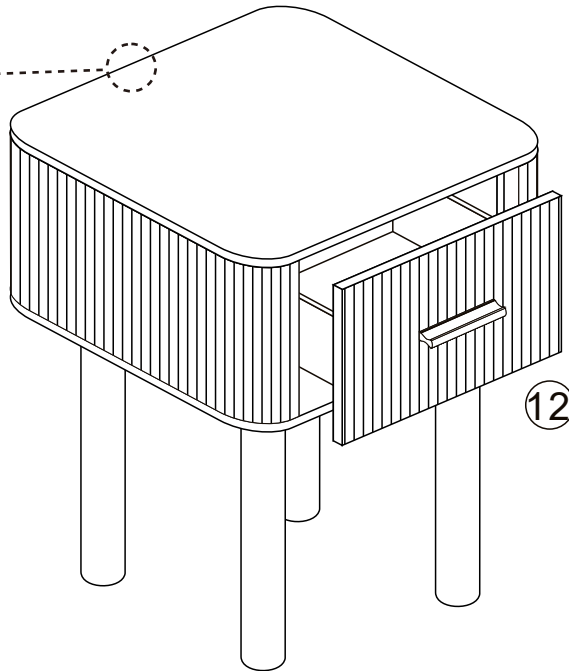
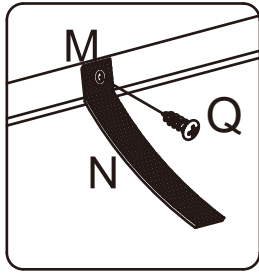
Make sure the direction of pasting the velcro is from front to back. Then align the edge of 7 with the edges of 1, 2 and press by hand to ensure the Velcro is tight.

STEP 9: Secreue the safty strap(N) by hardware (M,Q).

Then,Attach the drawer into the frame.

DO NOT use any power tools as this may damage the frame and will invalidate any claim.

QX1
MX1
NX1



PLEASE NOTE that wall fixings are not supplied as different wall materials require different fixing devices. You must use fixings devices suitable for the type of wall you intend to mount product to. Ensure the head of any screw used has a diameter greater than the mounting hole and the fixing is safe and secure before use.



WARNING!

In order to prevent overturning this product must be used with the wall attachment device provided. Serious or fatal crushing injuries can occur from furniture tipping over. To help prevent topple over:-

- Use the wall attachment devices provided
- Never allow children to climb or hang on drawers or doors
- Do not overload the drawer beyond maximum recommended loading
- Place heaviest items in the lower drawers or shelves
- Unless specifically designed to accommodate, do not set TV's or other heavy objects on top of this product
- Never open more than one drawer at a time
- Do not hang things from the doors

An attachment device is provided with your product, however you will need to source suitable fixings for your wall type. If in doubt consult a qualified trades person.

Always ensure that the wall to be drilled into is free from hidden electrical wire, water and gas pipe.

Please dispose of all packaging safely.

General Care & Maintenance

Wipe clean with a slightly damp cloth.
Avoid the use of all household cleaners and abrasives.

Periodically check all screw & fixings to ensure they are secure.

When moving your product, carefully lift into place. Never drag or push the product across the floor as this will cause damage to the joints. If the product is used on hard flooring, such as wood or laminated floor, you must place some protection under the legs to stop the product from moving. If this is not adhered to, it could result in failure to the product that will invalidate the warranty.

For more information on cleaning and product care visit:
<https://www.happybeds.co.uk/help-and-advice>

Notes

In the unlikely event that you have problems putting this product together or have damaged or missing parts, please contact us by visiting:
<https://www.happybeds.co.uk/customer-service>