

Assembly Instructions

Important before assembly:

Read these instructions carefully before assembling or using the product.

Please check the contents of the boxes before attempting to assemble this product. The instructions will have a checklist of parts and fittings.

Assemble the product as close to its intended final location/room as possible.

Health & Safety:

This product or some parts of this product will be heavy. Please use an assistant when lifting.

Please keep small parts out of reach of children.

Always use on a level, even surface.

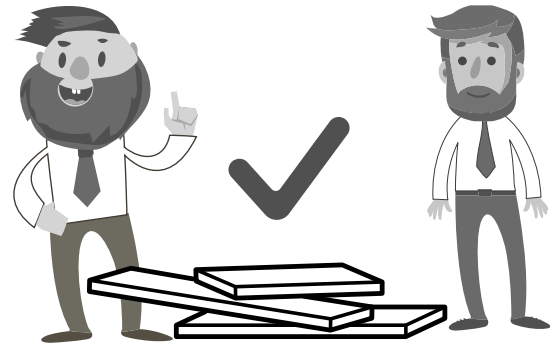
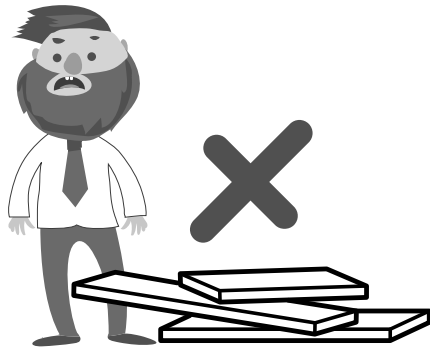
DO NOT jump on the product or any of its parts.

DO NOT use this product if any parts are missing, damaged or worn.

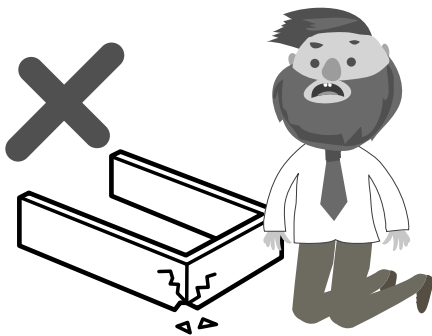
DO NOT use this product unless all fixings are secured.

Further instructions are on the following pages.

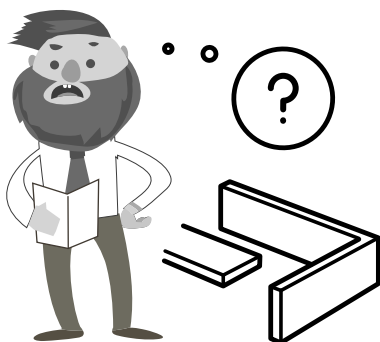
Please keep these instructions for future reference.



This product or some parts of this product will be heavy. Please use an assistant when lifting.



Never drag or push the pieces across a hard or stone floor as this will cause damage to the joints. Use a carpet or a rug for extra care.



If you have problems assembling or have damaged or missing pieces, please contact our customer services (details at the back of these instructions)

Please check all hardware matches the list below. Should you notice any are missing please contact your retailer.



A

Wooden dowel x4
15 x 100mm



B

Wooden dowel x34
10 x 40mm



C

1/4 x 110 Bolt x14



D

Nut 1/4 x14



E

4,5 x 50 Screw x6



F

7 x 80 Bolt x6
Cab. 13



G

4 x 35 Screw x64



H

4 x 30 Screw x6



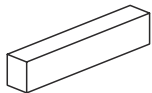
I

Allen key x1



J

Glue x1



K

71mm Spacer x2



L

Caps Ø8mm x4



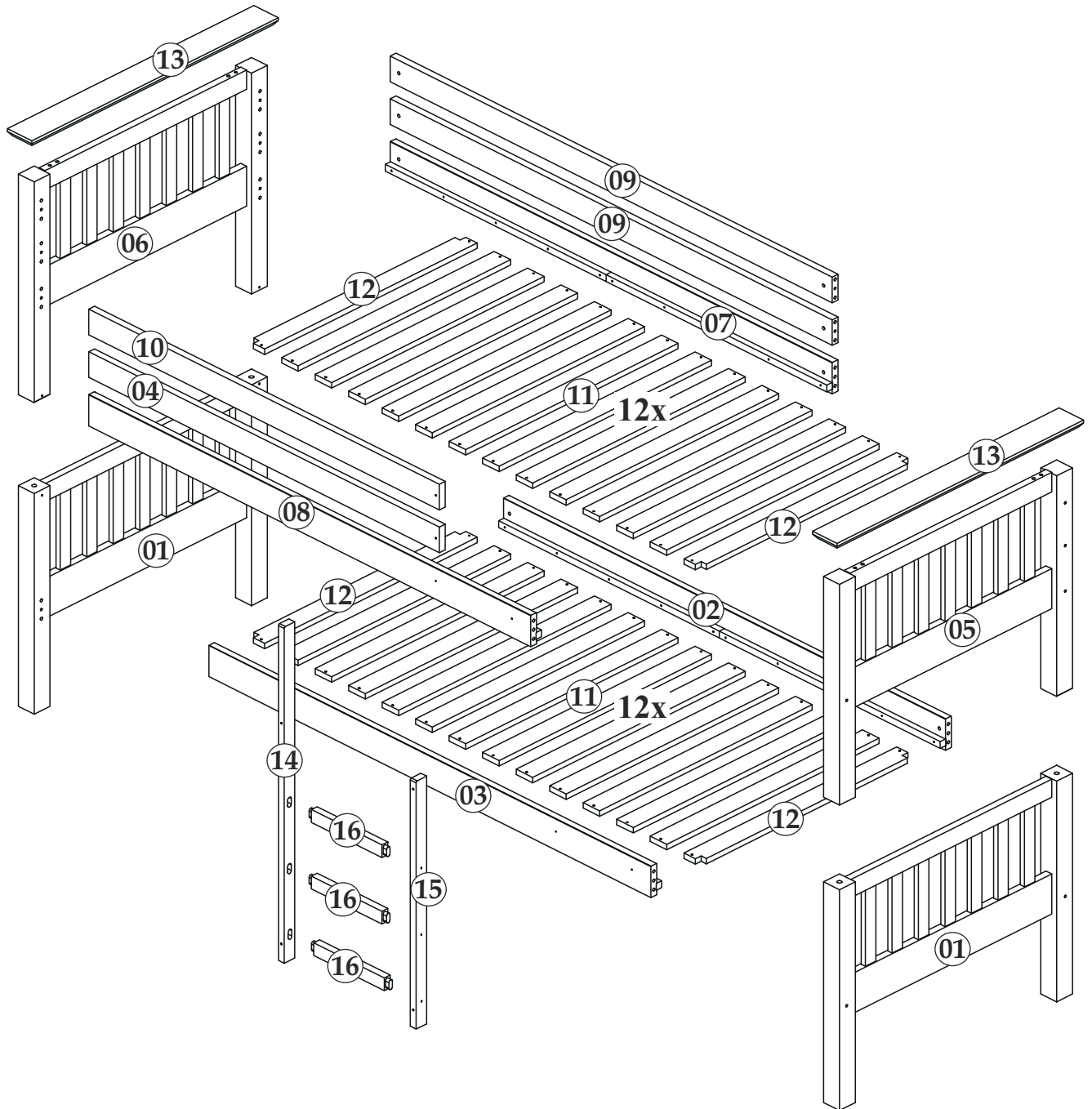
M

Caps Ø17mm x14

We strongly advise that you do not use Power Tools, such as drills or electric screwdrivers, during the assembly as this may cause irreparable damage and will invalidate your warranty.



PARTS



Please ensure you carefully check all the pieces, should you have any concerns please contact the retailer before assembly commences. Please have your order number, details of the issue, the product code, and the batch number from the cartons as this will help us to resolve your issue much faster.

IMPORTANT INFORMATION

WARNING – High Beds and the upper bed of bunk beds are not suitable for children under six years due to the risk of injury from falls.

WARNING – Bunk beds and high beds can present a serious risk of injury from strangulation if not used correctly. Never attach or hang items to any part of the bunk bed that are not designed to be used with the bed, for example, but not limited to ropes, strings, cords, hooks, belts and bags.

WARNING – Children can become trapped between the bed and the wall, a roof pitch, the ceiling, adjoining pieces of furniture (e.g. cupboards) and the like. To avoid risk of serious injury the distance between the top safety barrier and the adjoining structure shall not exceed 75mm or shall be more than 230mm.

WARNING – Do not use the bunk bed/high bed if any structural part is broken or missing.

It is recommended that you always follow the manufacturer's instructions to assemble this product.

Always follow the manufacturer's recommended mattress size, as per these instructions and the bunk bed / high bed maximum mattress height marking on the item:

Recommended Mattress Size: 90cm W x 190cm (UK Single) with Maximum Depth of 21.0cm.

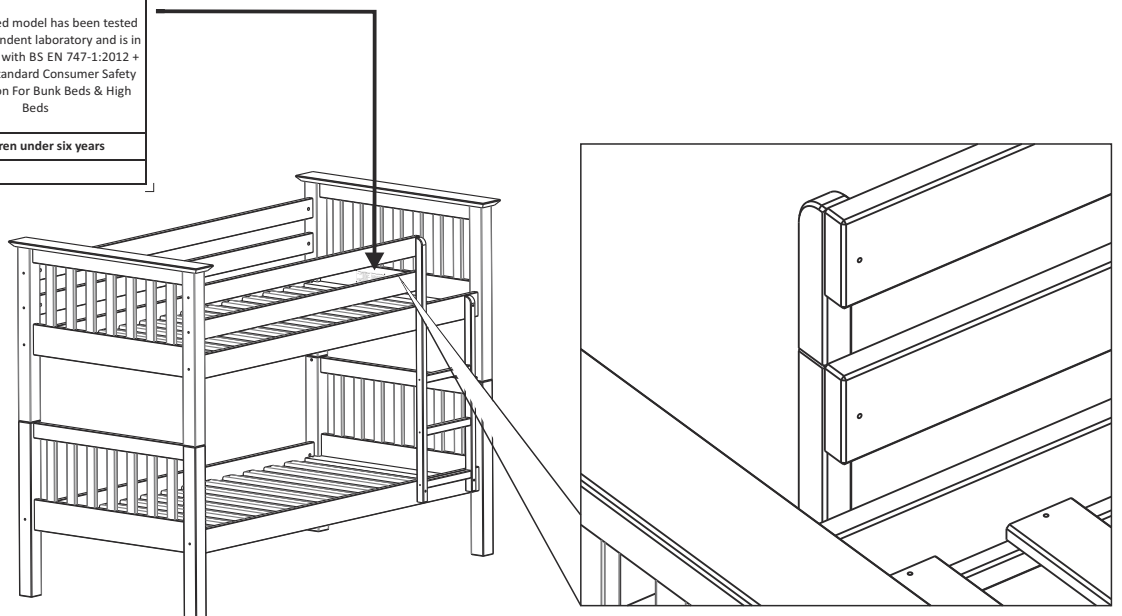
It is necessary to frequently ventilate the room in order to keep the humidity low and to prevent mould in and around the bed.

Please periodically check all the fixings of the item and re-tighten when necessary.

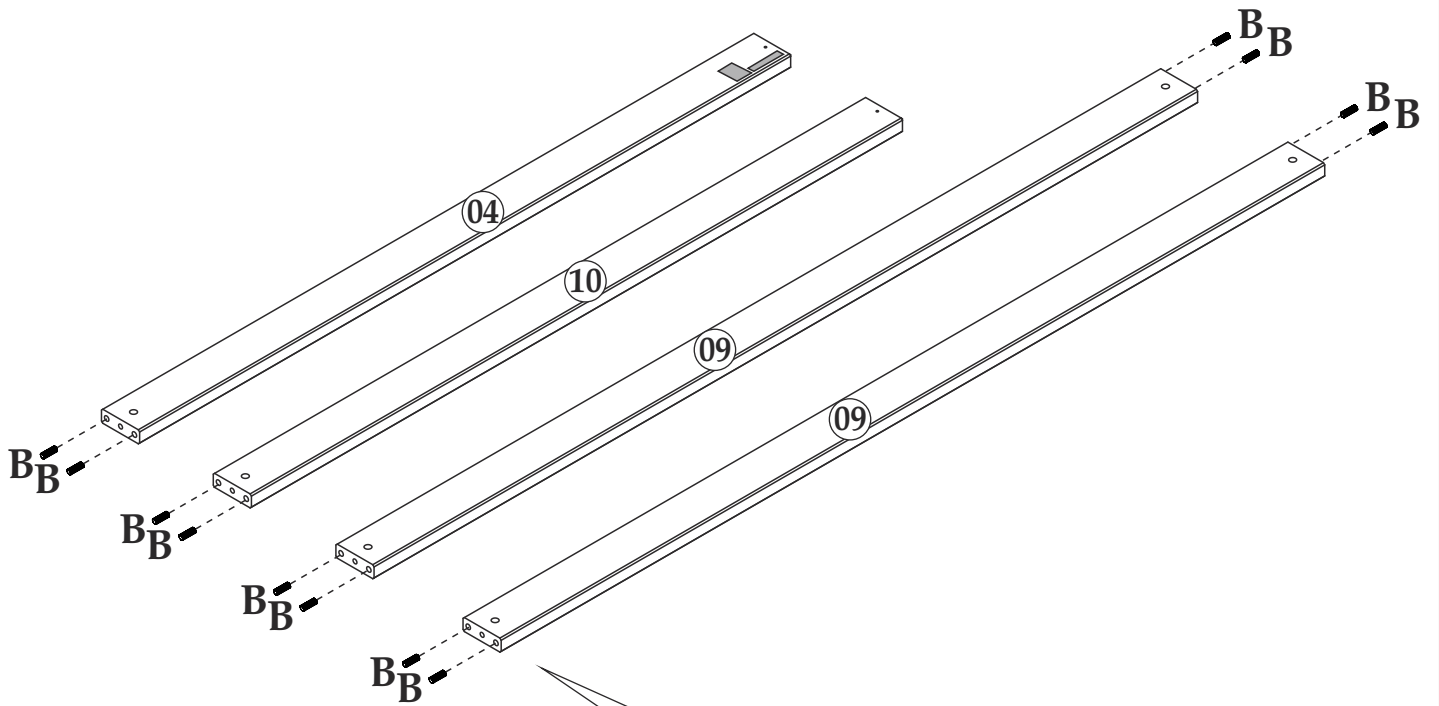
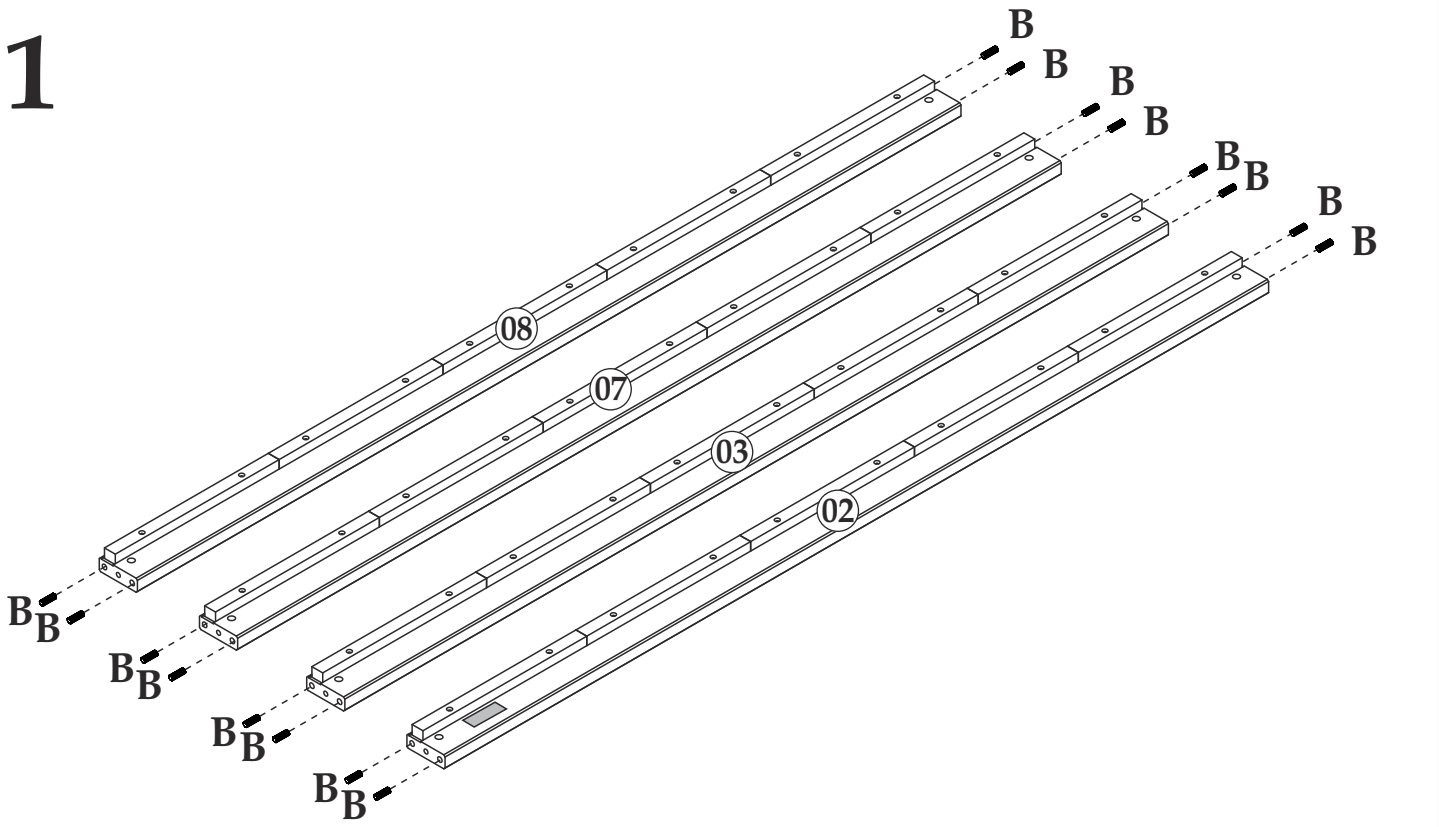
This item conforms to European Safety Standards – BS EN 747-1: 2012 + A1:2015.

These labels are not to be removed

BARCELONA BUNK BED	CERTIFICATION LABEL
Product Code: BAR015 Distributed by: Julian Bowen Limited Bentnick House, Park Lane Business Park, Kirkby-in-Ashfield, Notts, NG17 9LE Factory ID: Manufactured in Brazil Date of Manufacture: January 2016	This bunk bed model has been tested by an independent laboratory and is in compliance with BS EN 747-1:2012 + A1:2015 - Standard Consumer Safety Specification For Bunk Beds & High Beds
WARNING: This upper bed is not suitable for children under six years	
This Label is Not To Be Removed	



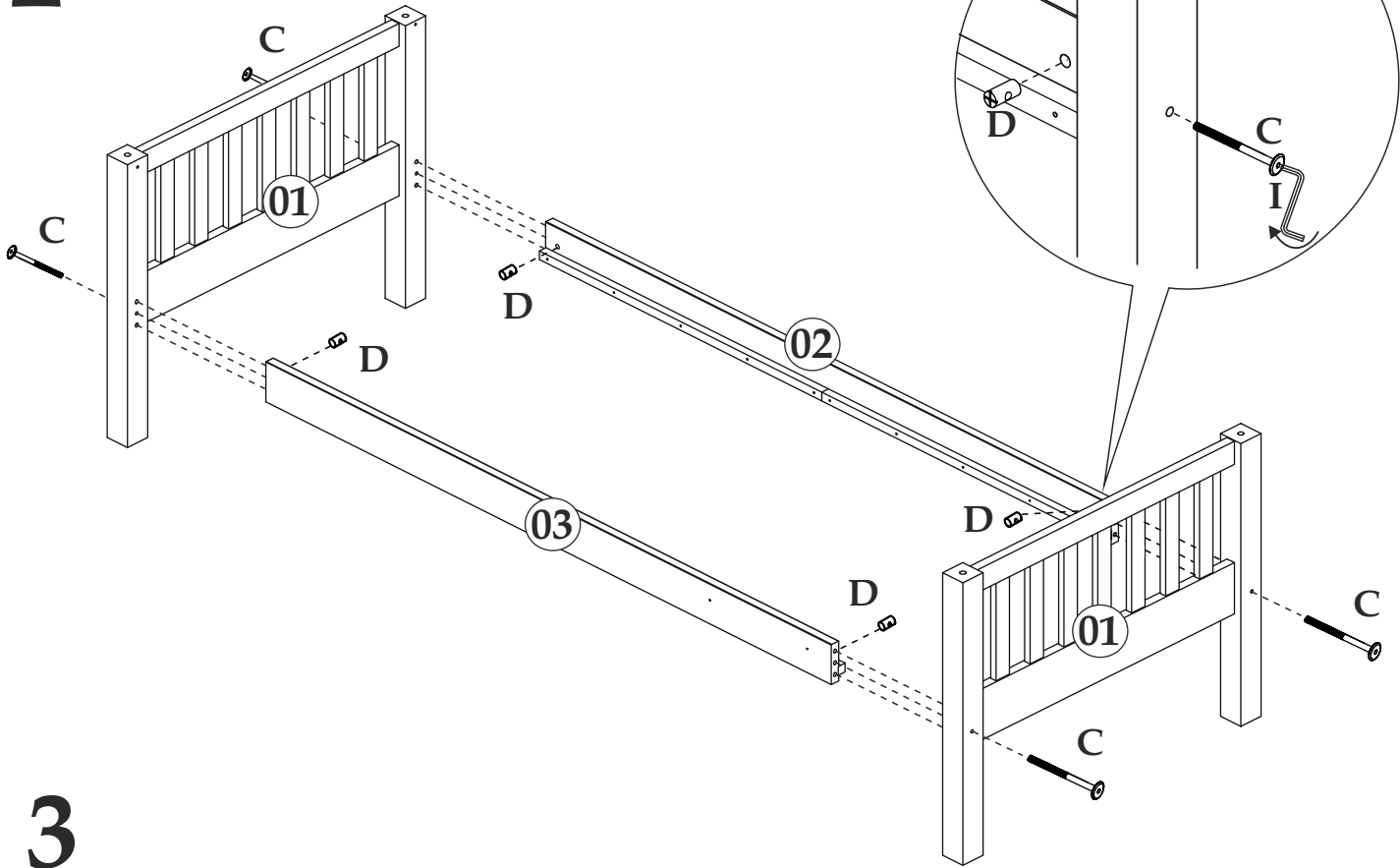
1



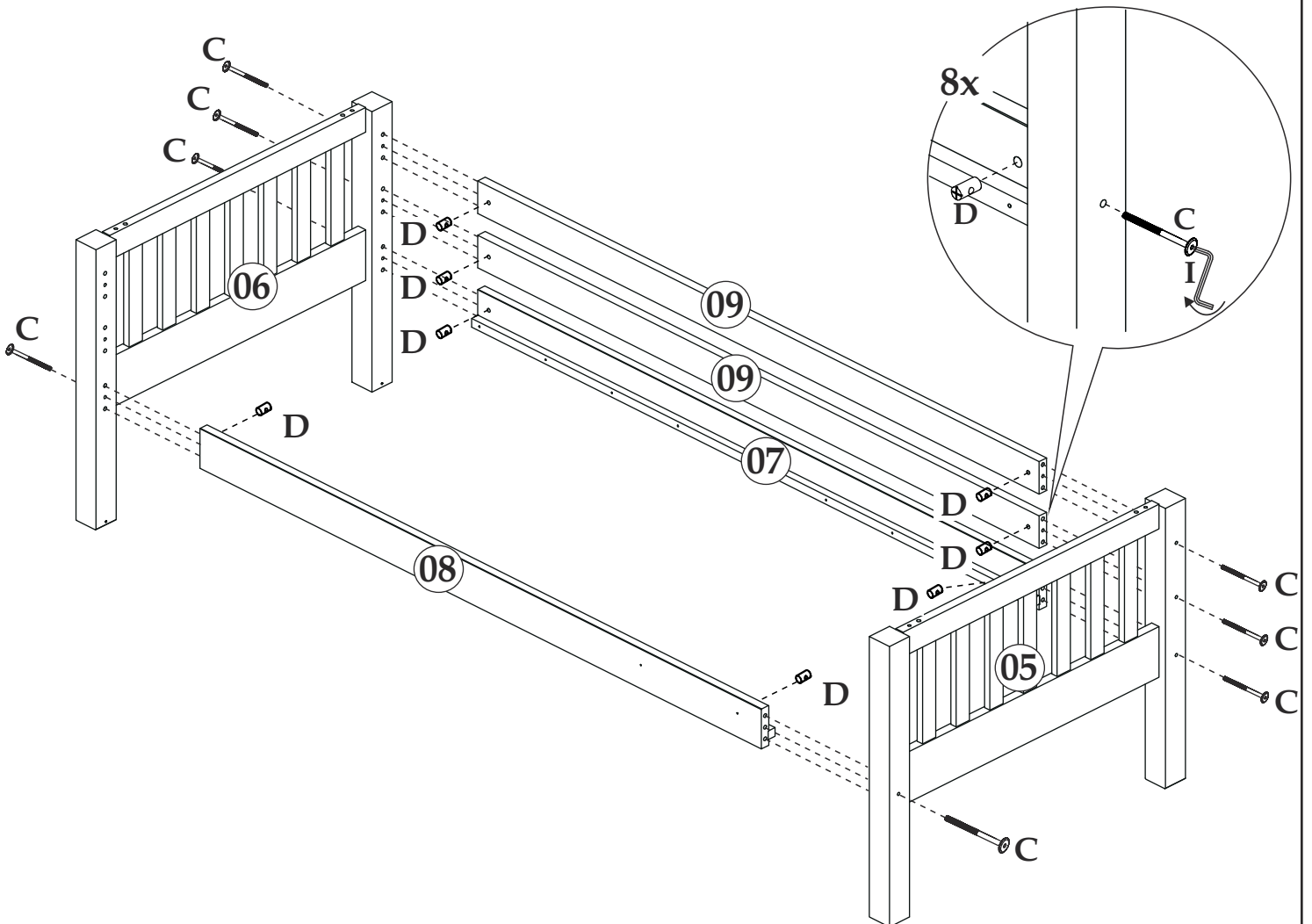
28x



2



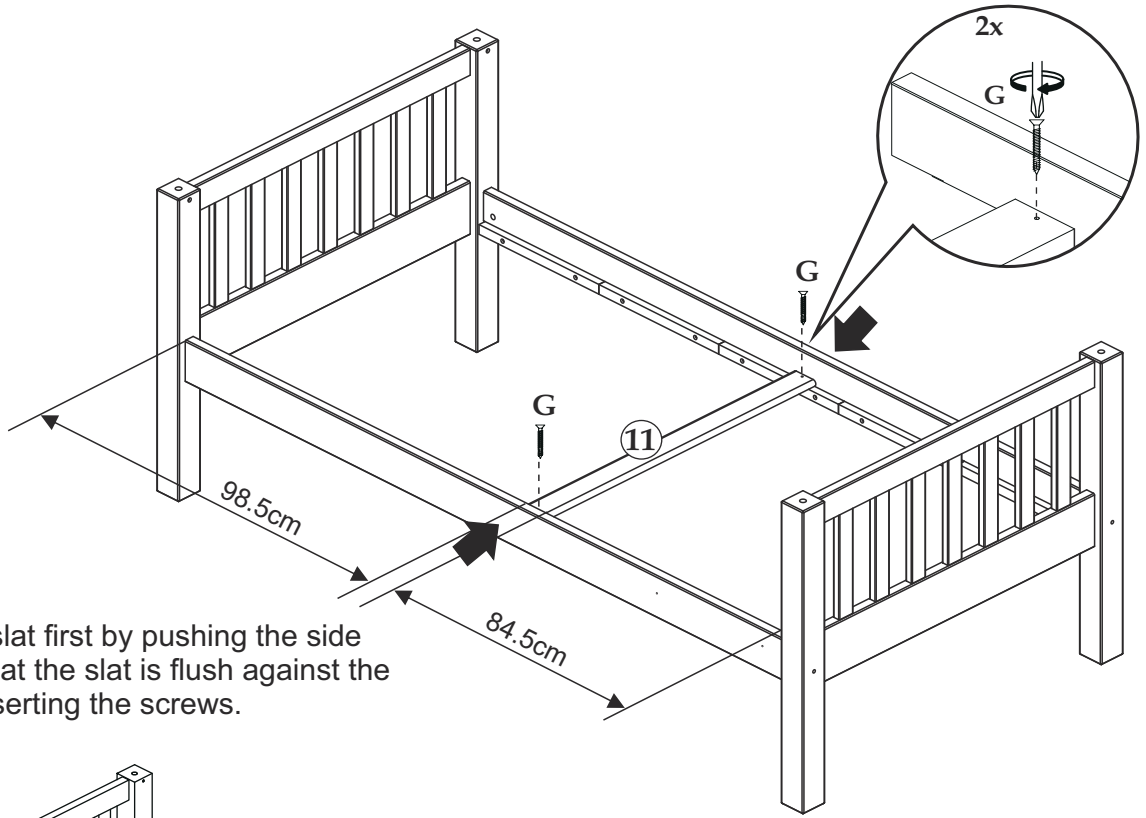
3



4

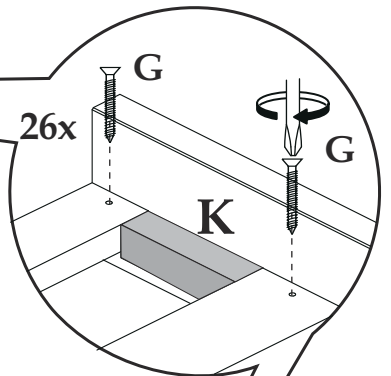
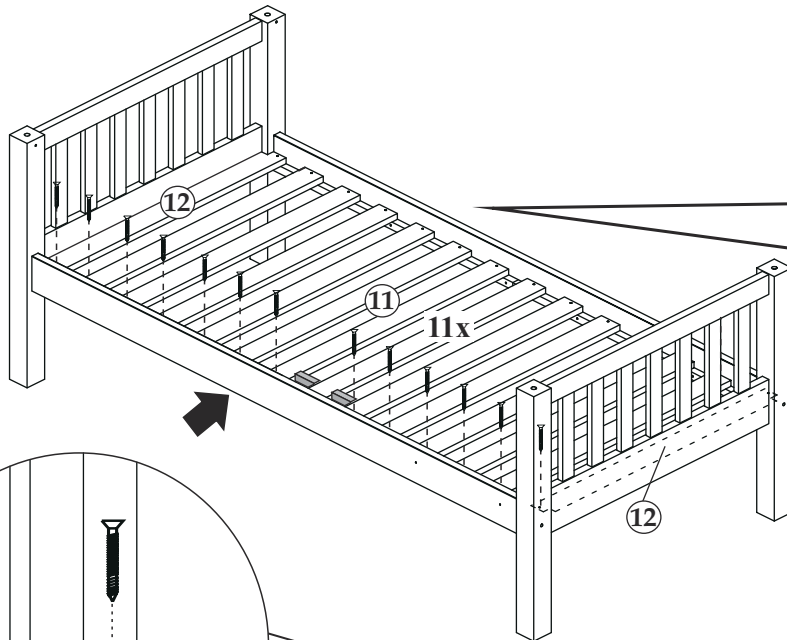


Do Not Use Power Tools



Attach the centre slat first by pushing the side rails together so that the slat is flush against the side rail, before inserting the screws.

5

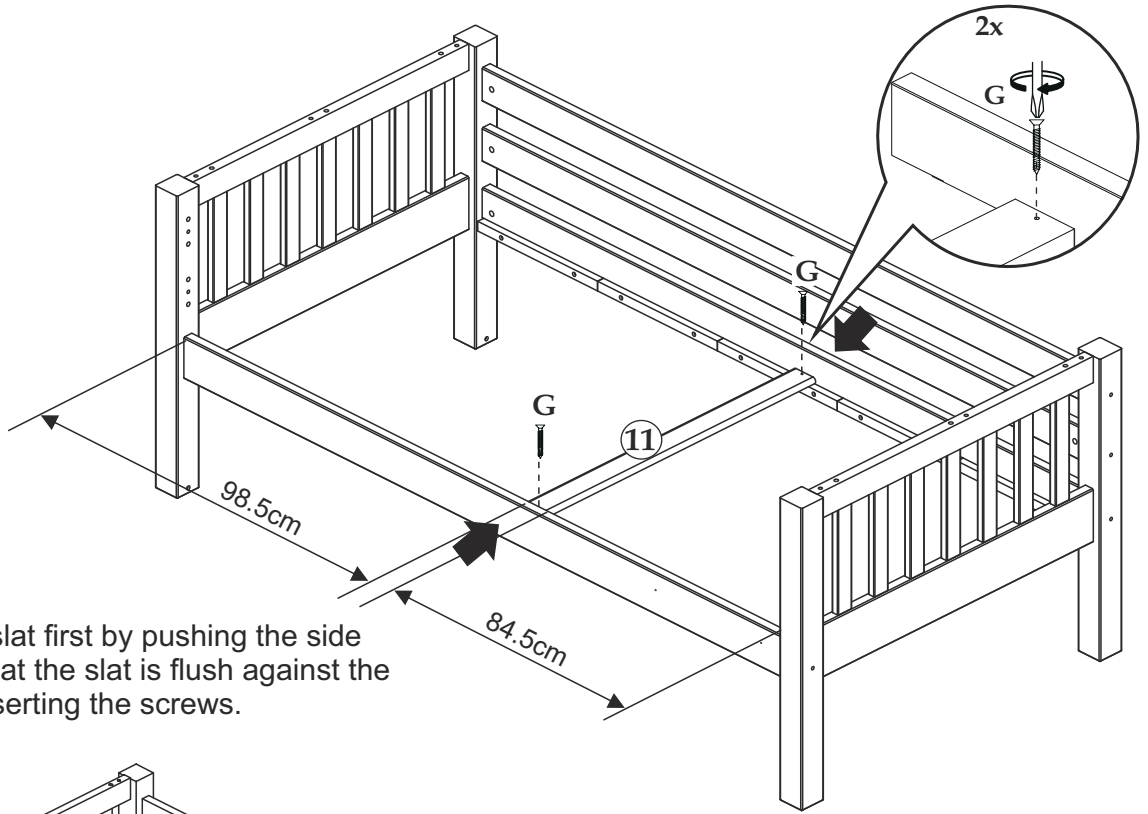


Next attach the remaining slats. Place the slats onto the side rail supports and distribute evenly by using the spacer provided.

6

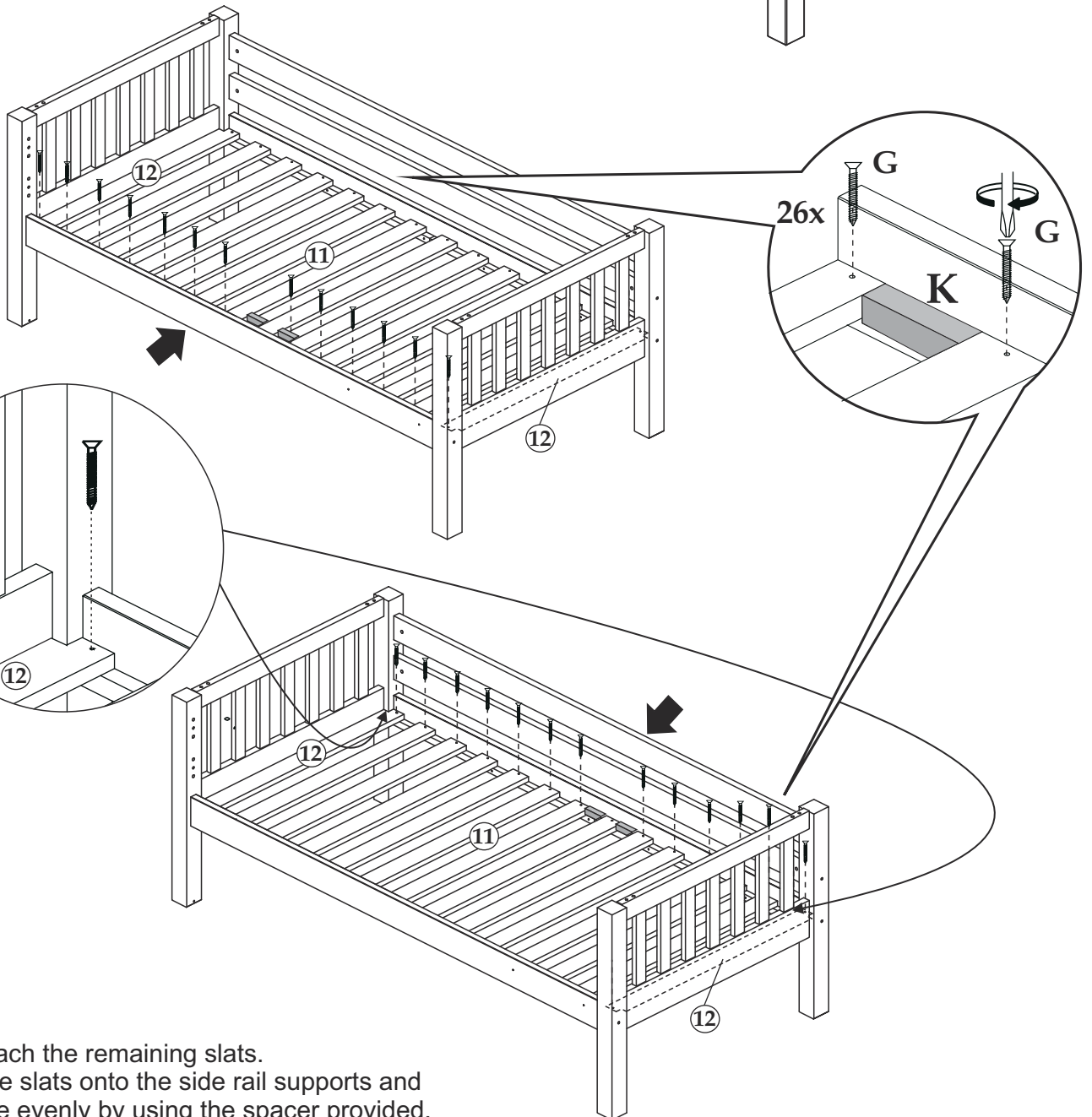


Do Not Use Power Tools



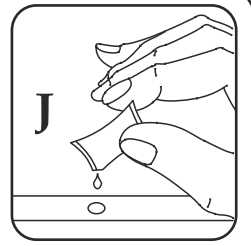
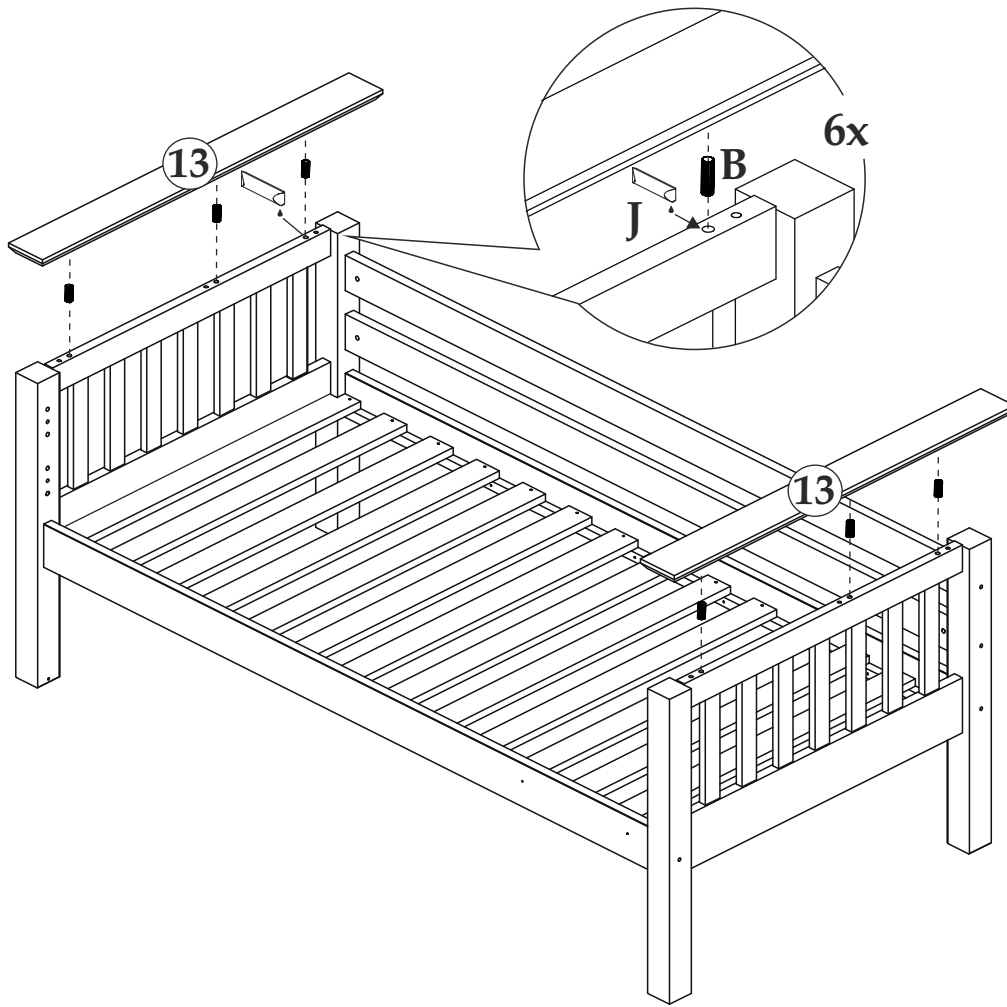
Attach the centre slat first by pushing the side rails together so that the slat is flush against the side rail, before inserting the screws.

7

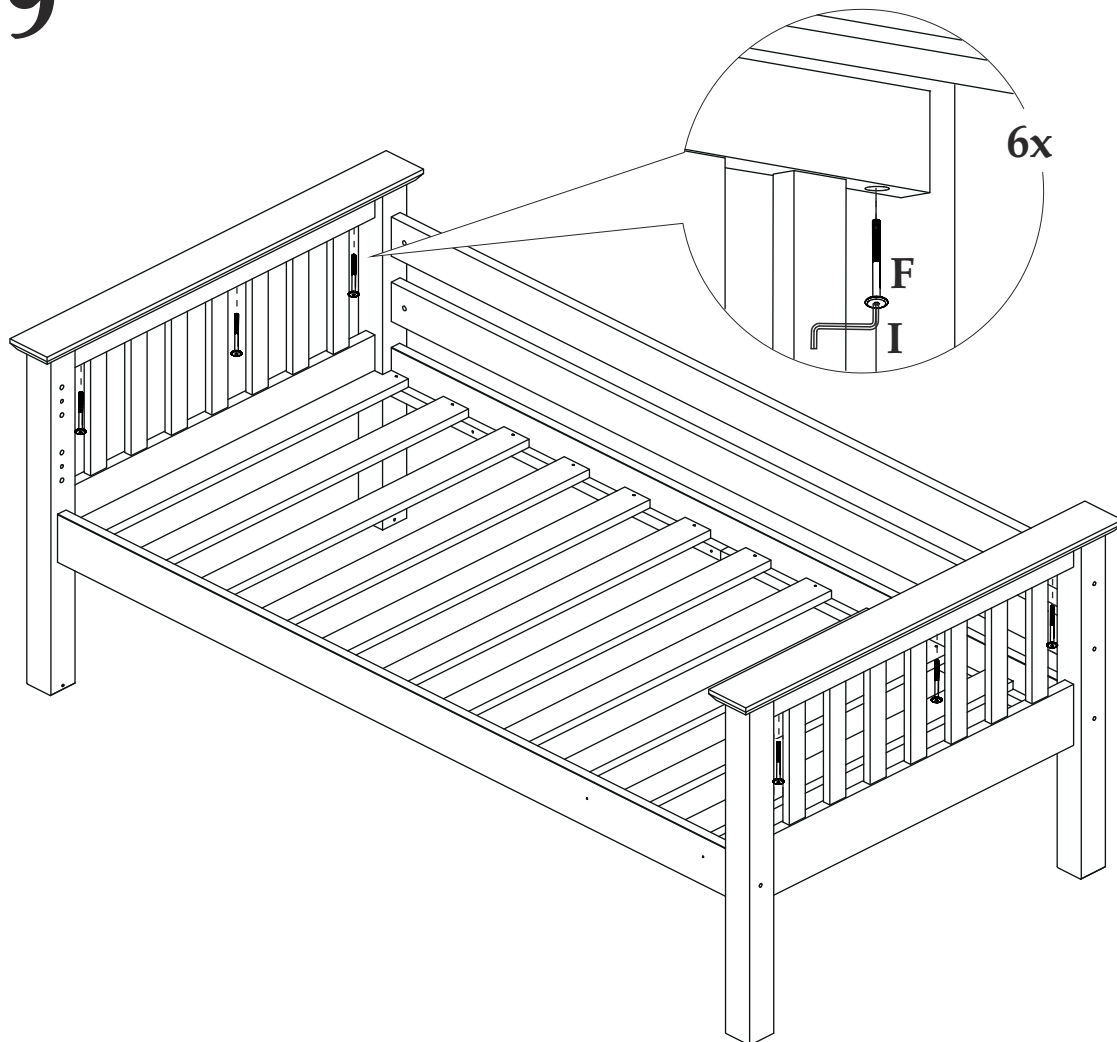


Next attach the remaining slats. Place the slats onto the side rail supports and distribute evenly by using the spacer provided.

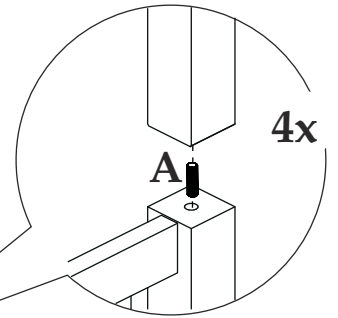
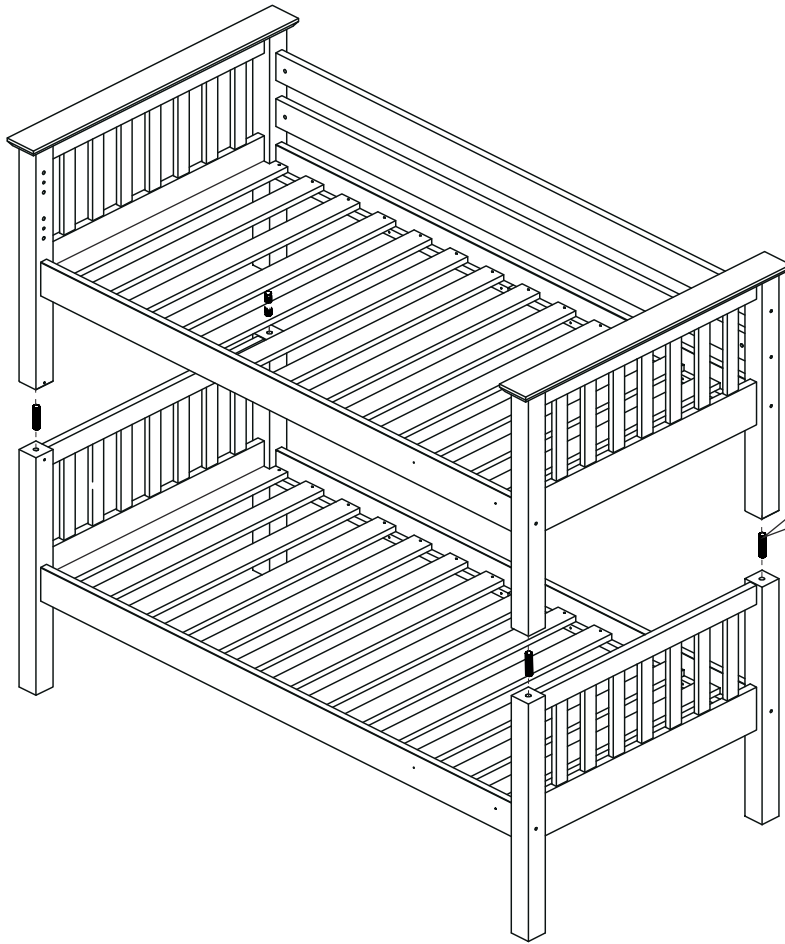
8



9

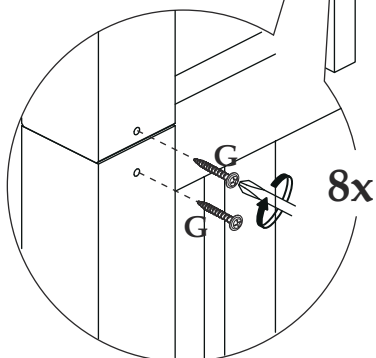
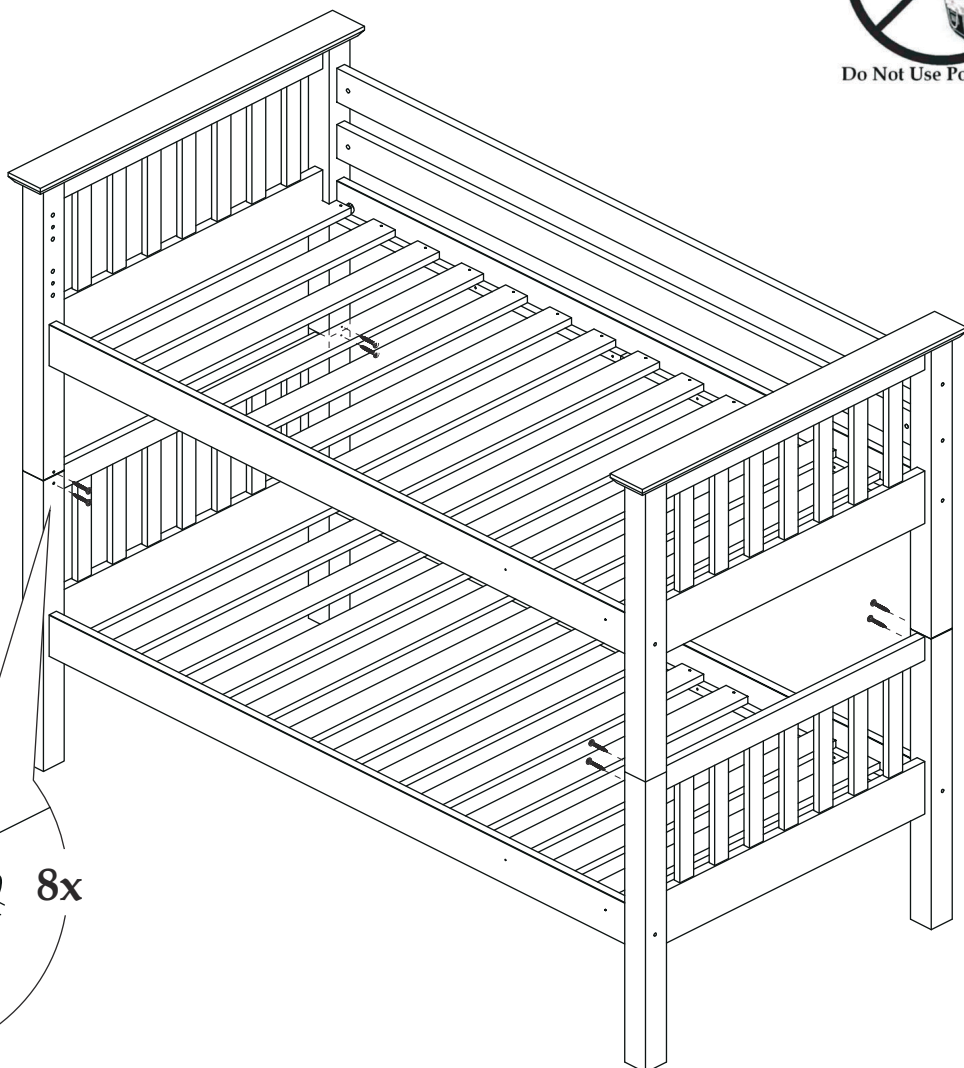


10

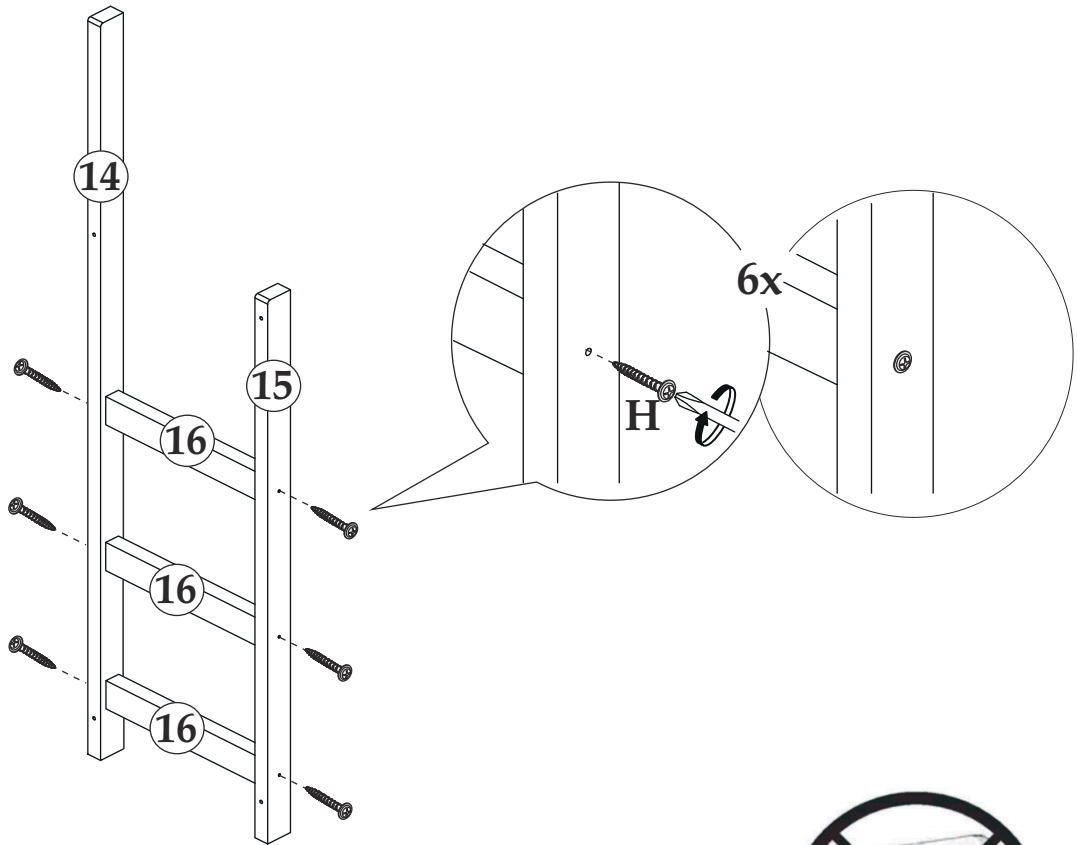


Do Not Use Power Tools

11

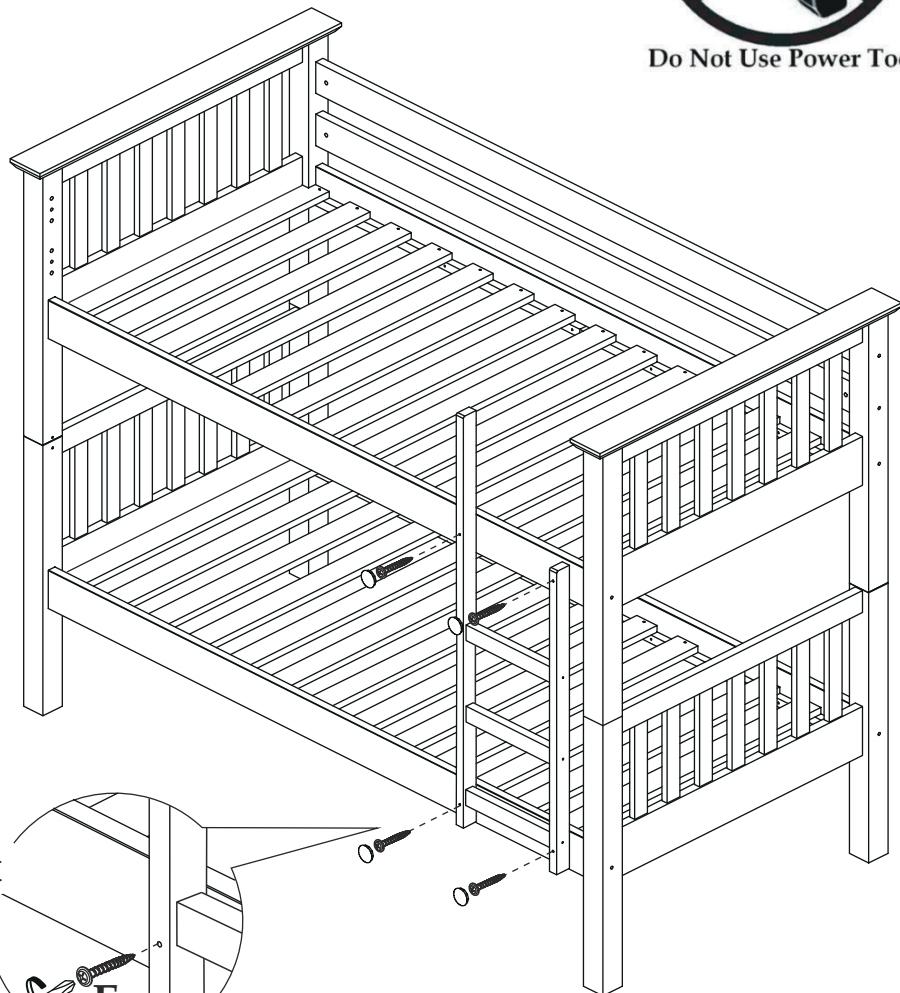


12

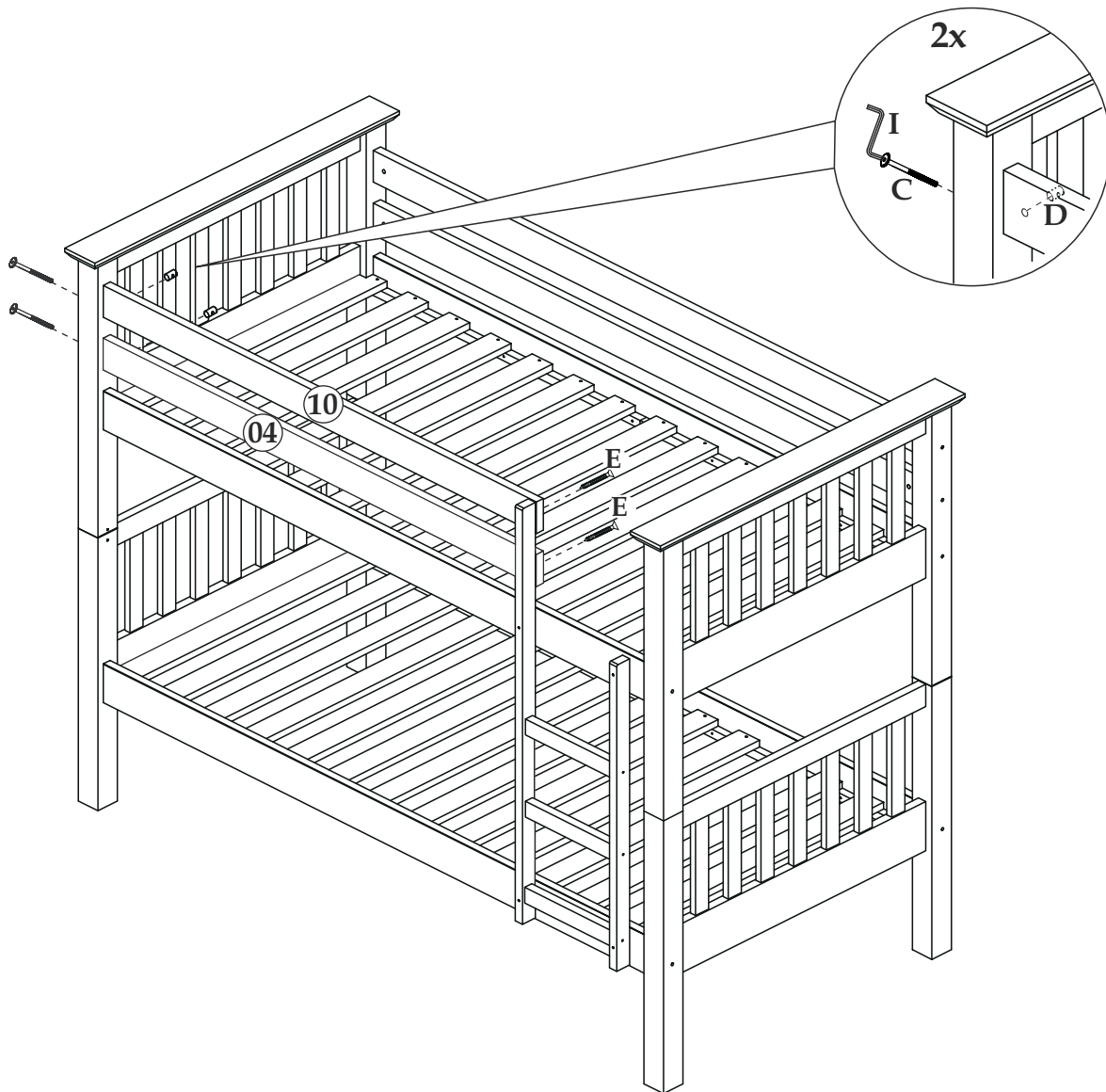


Do Not Use Power Tools

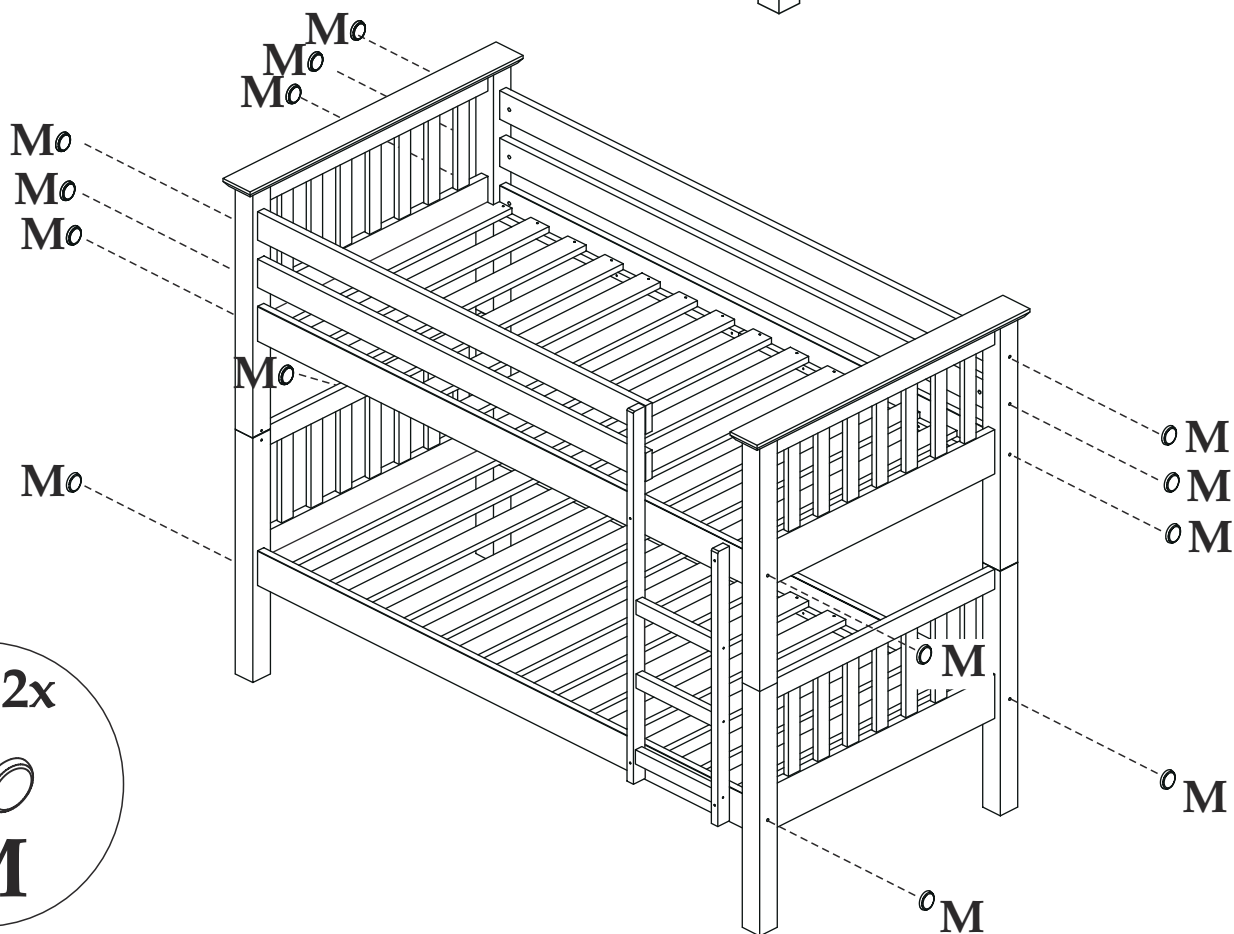
13



14



15



Please dispose of all packaging safely.

General Care & Maintenance

Wipe clean with a slightly damp cloth.
Avoid the use of all household cleaners and abrasives.

Periodically check all screw & fixings to ensure they are secure.

When moving your product, carefully lift into place. Never drag or push the product across the floor as this will cause damage to the joints. If the product is used on hard flooring, such as wood or laminated floor, you must place some protection under the legs to stop the product from moving. If this is not adhered to, it could result in failure to the product that will invalidate the warranty.

For more information on cleaning and product care visit:
<https://www.happybeds.co.uk/help-and-advice>

Notes

In the unlikely event that you have problems putting this product together or have damaged or missing parts, please contact us by visiting:
<https://www.happybeds.co.uk/customer-service>