

Assembly Instructions

Important before assembly:

Read these instructions carefully before assembling or using the product.

Please check the contents of the boxes before attempting to assemble this product. The instructions will have a checklist of parts and fittings.

Assemble the product as close to its intended final location/room as possible.

Health & Safety:

This product or some parts of this product will be heavy. Please use an assistant when lifting.

Please keep small parts out of reach of children.

Always use on a level, even surface.

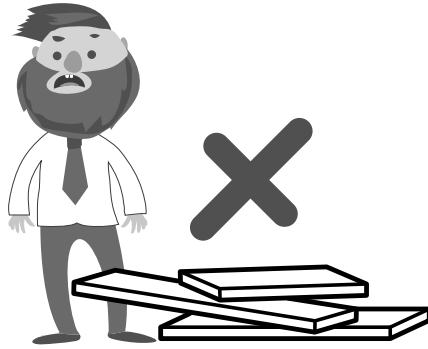
DO NOT jump on the product or any of its parts.

DO NOT use this product if any parts are missing, damaged or worn.

DO NOT use this product unless all fixings are secured.

Further instructions are on the following pages.

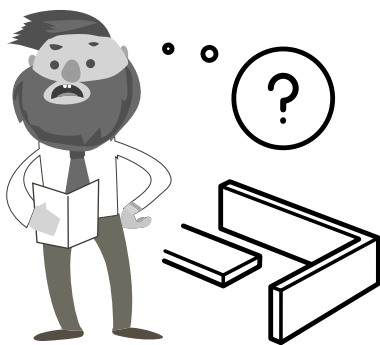
Please keep these instructions for future reference.



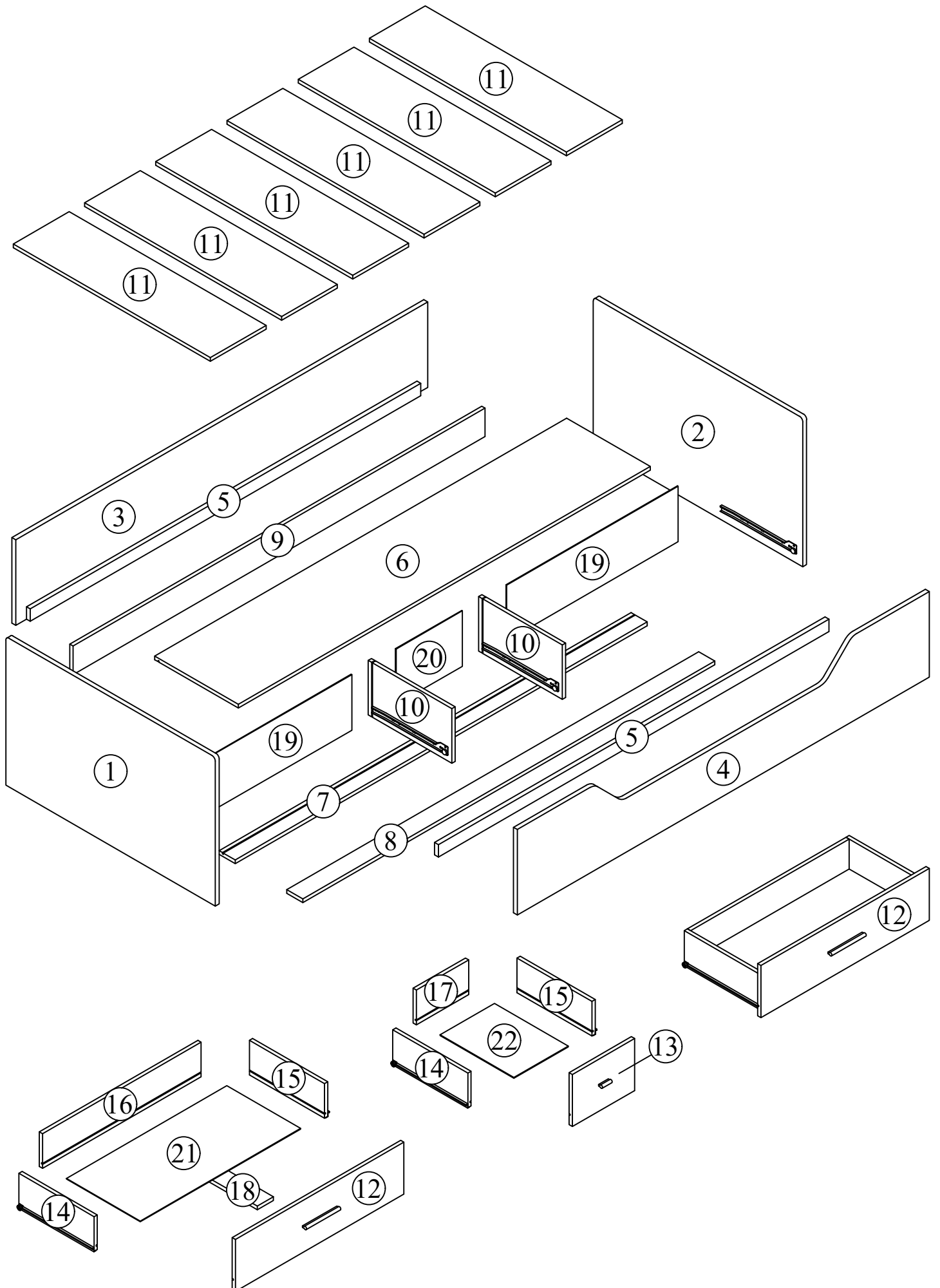
This product or some parts of this product will be heavy. Please use an assistant when lifting.



Never drag or push the pieces across a hard or stone floor as this will cause damage to the joints. Use a carpet or a rug for extra care.



If you have problems assembling or have damaged or missing pieces, please contact our customer services (details at the back of these instructions)



PART LIST

Carton 1 of 3:

Part	Description	Qty
1	Left Panel	1
2	Right Panel	1
10	Center Panel	2
12	Drawer Front Panel (B)	2
13	Drawer Front Panel (S)	1
14	Drawer Left Panel	3
15	Drawer Right Panel	3
16	Drawer Back Panel (B)	2
17	Drawer Back Panel (S)	1
18	Drawer Support Panel	2
19	Back Panel (B)	2
20	Back Panel (S)	1
21	Drawer Bottom Panel (B)	2
22	Drawer Bottom Panel (S)	1
Hardware List		

Carton 2 of 3:

Part	Description	Qty
3	Back Panel	1
4	Front Panel	1
5	Support Panel	2
6	Vertical Panel	1
7	Bottom Back Panel	1
8	Bottom Front Panel	1
9	Center Support Panel	1

Carton 3 of 3:










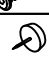

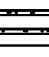







Part	Description	Qty
11	Base Panel	6

** You will need a screwdriver and a small mallet (NOT provided)

HARDWARE LIST

Vendor: S000398

Carton 1 of 3:

Part	Description	Qty
A	CAM NUT 15mm 	18
B	CAM BOLT 	18
C	WOOD DOWEL M6 x 25mm 	32
D	STEEL NUT M6 	8
E	CSK SCREW M3.5 x 12mm 	36
F	CSK SCREW M3.5 x 25mm 	6
G	CSK SCREW M4 x 30mm 	12
H	CSK SCREW M4 x 38mm 	14
I	JCN M6 	6
J	JCBC SCREW M6 x 25mm 	3
K	JCBC SCREW M6 x 30mm 	7
L	JCBC SCREW M6 x 50mm 	8
M	JCBCW SCREW M6 x 50mm 	16
N	PVC NAIL 5/8" 	4
O	MDF SUPPORT 	2
P	METAL RUNNER TRUCK 14" 	3 set
Q	METAL RUNNER 14" 	3 set
R	HANDLE AC85 128MM 	2
S	HANDLE AC84 32MM 	1
T	STICKER 20mm 	21
U	ALLEN KEY 	2

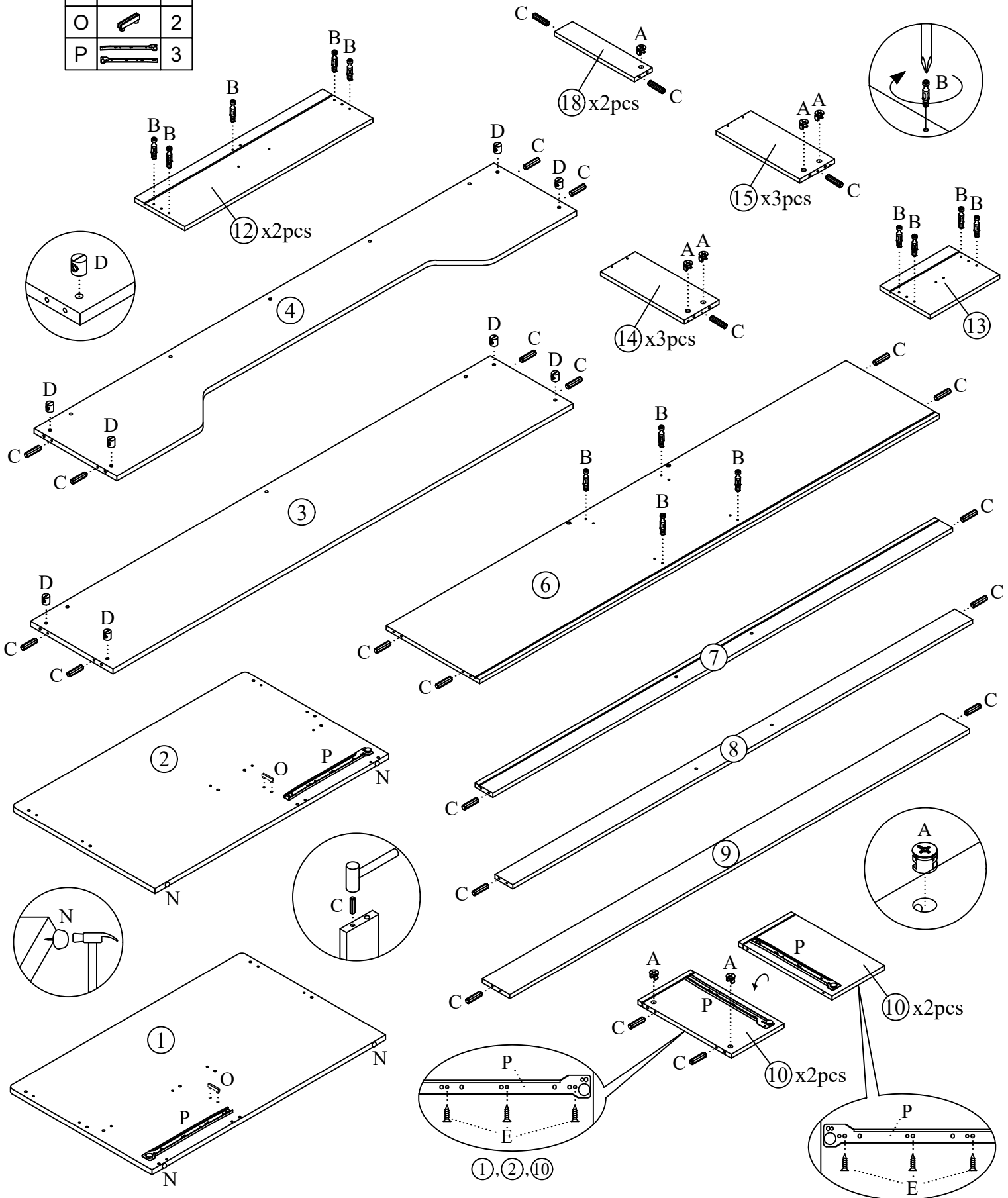



** WARNING: THE USE OF POWER TOOLS TO ASSEMBLE THIS PRODUCT WILL INVALIDATE ANY CLAIM AND MAY DAMAGE THIS PRODUCT MAKING IT UNSAFE.

1

A		18
B		18
C		32
D		8
E		18
N		4
O		2
P		3

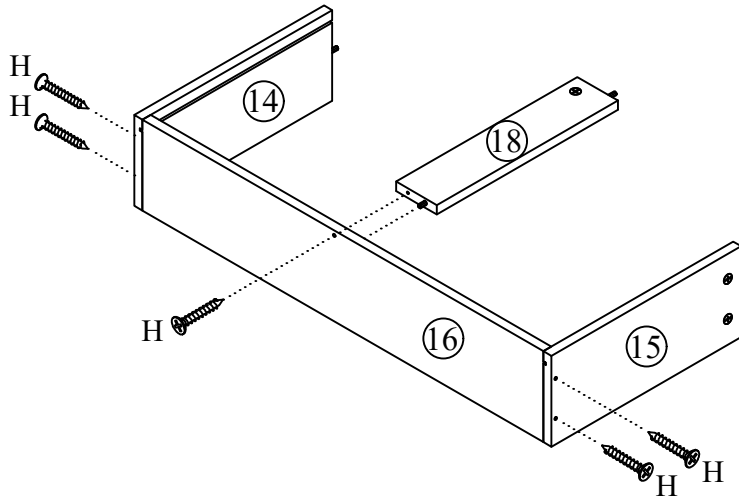
Insert hardware part (A) and part (B) using a screwdriver (not provided). Insert hardware part (C) using a small mallet (not provided). Insert hardware part (D) using a screwdriver (not provided). Insert hardware part (N) using a small mallet (not provided). Insert hardware (O) using a small mallet (not provided). Attach hardware part (P) with screw (E) using screwdriver (not provided).
DO NOT use any power tools as this may damage the frame and will invalidate any claim.



2 H  10

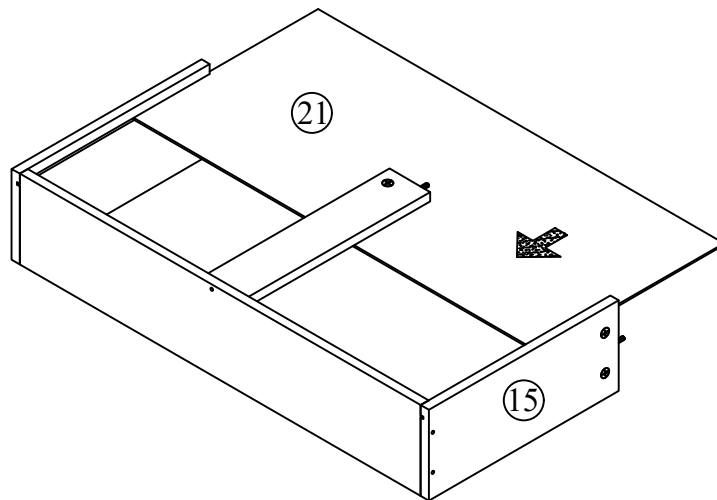
Fix drawer left and right panels (14) and (15) to drawer back panel (16) with screw (H) by screwdriver (not provided). Fix drawer support panel (18) to drawer back panel (16) with screw (H) by screwdriver (not provided).

DO NOT use any power tools as this may damage the frame and will invalidate any claim.





x 2sets

3 Insert drawer bottom panel (21) as shown.

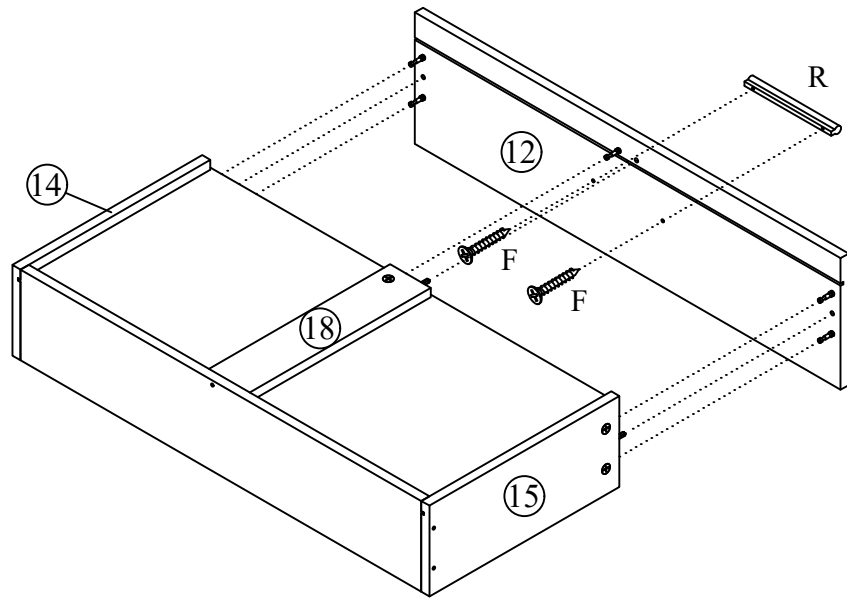
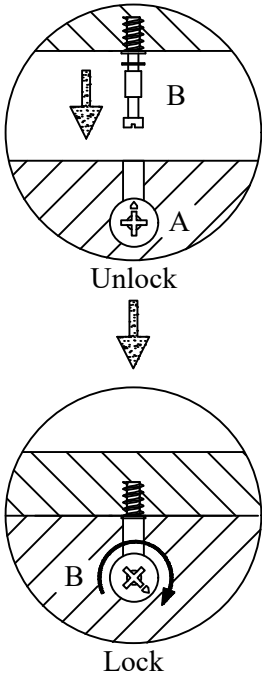


x 2sets

4



F		4
R		2

Fix drawer front panel (12) by screwdriver (not provided). Attach hardware part (R) with screw (F) using screwdriver (not provided). **DO NOT** use any power tools as this may damage the frame and will invalidate any claim.

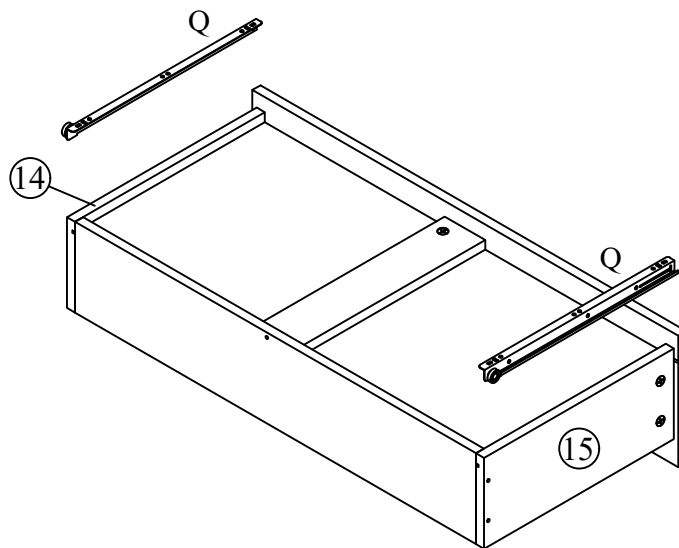
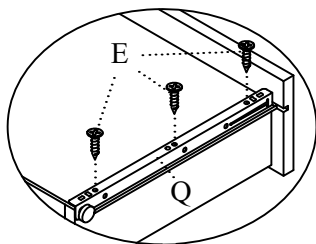


x 2sets

5


E		12
Q		2

Fix hardware (Q) onto the drawer left panel and drawer right panel (14) and (15) using screw (E) by screwdriver (not provided). **DO NOT** use any power tools as this may damage the frame and will invalidate any claim.



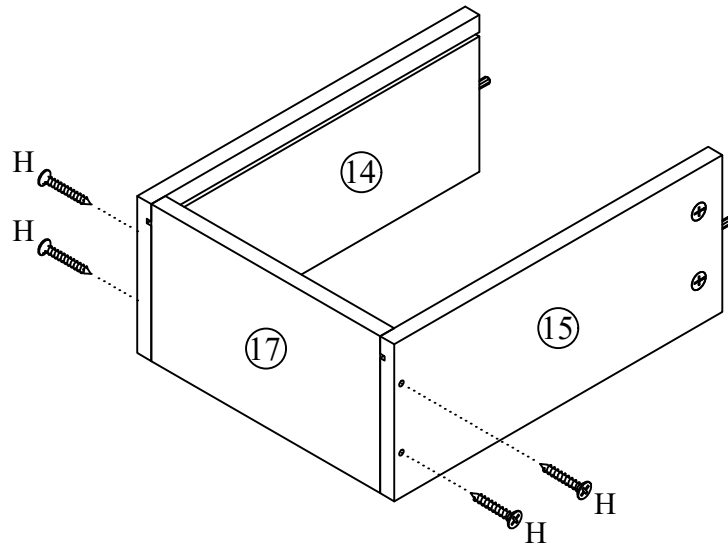
x 2sets

6

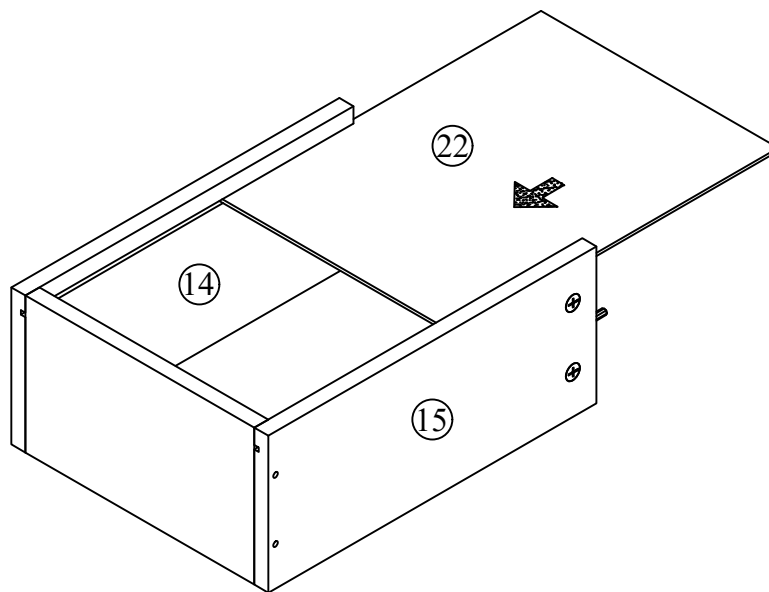
H		4
---	---	---

Fix drawer left and right panels (14) and (15) to drawer back panel (17) with screw (H) by screwdriver (not provided).



DO NOT use any power tools as this may damage the frame and will invalidate any claim.



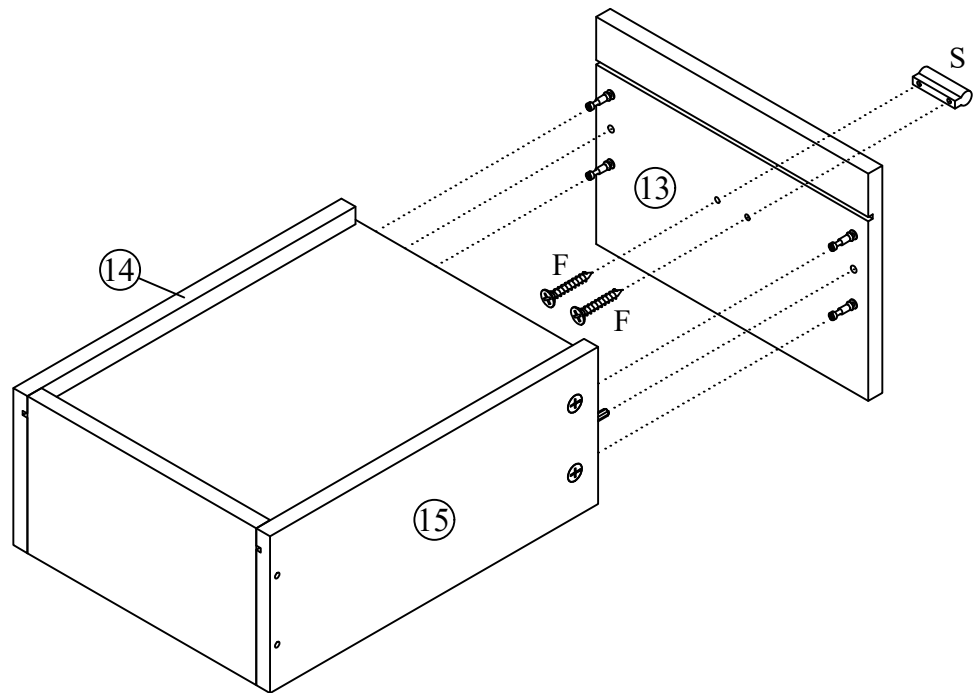
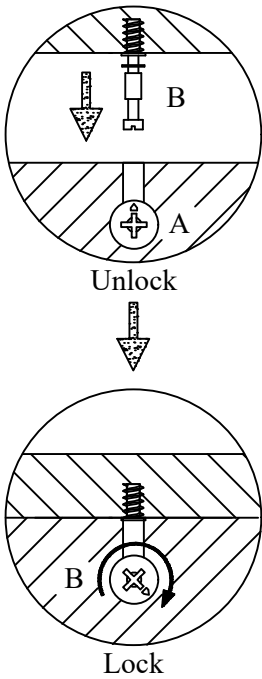
7 Insert drawer bottom panel (22) as shown.





8

F		2
S		1

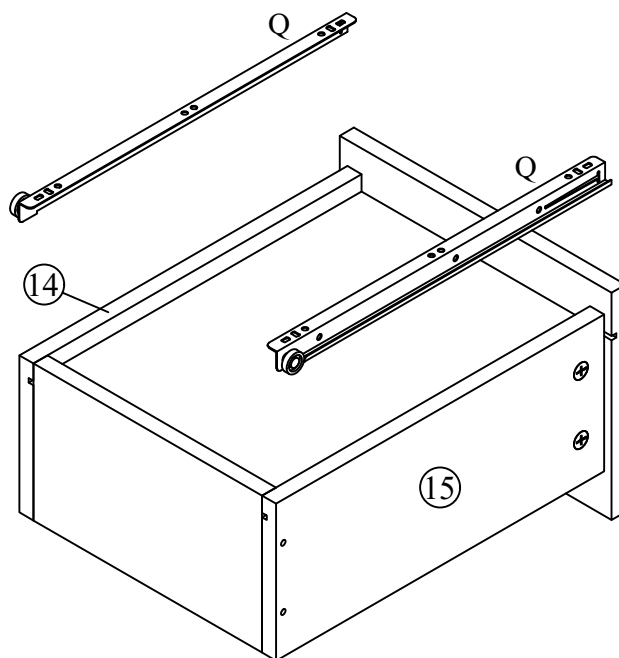
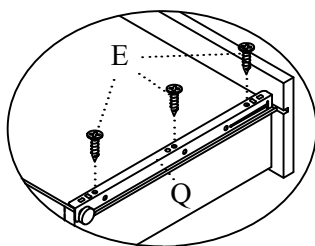
Fix drawer front panel (13) by screwdriver (not provided). Attach hardware part (S) with screw (F) using screwdriver (not provided). **DO NOT** use any power tools as this may damage the frame and will invalidate any claim.





9

E		6
Q		1

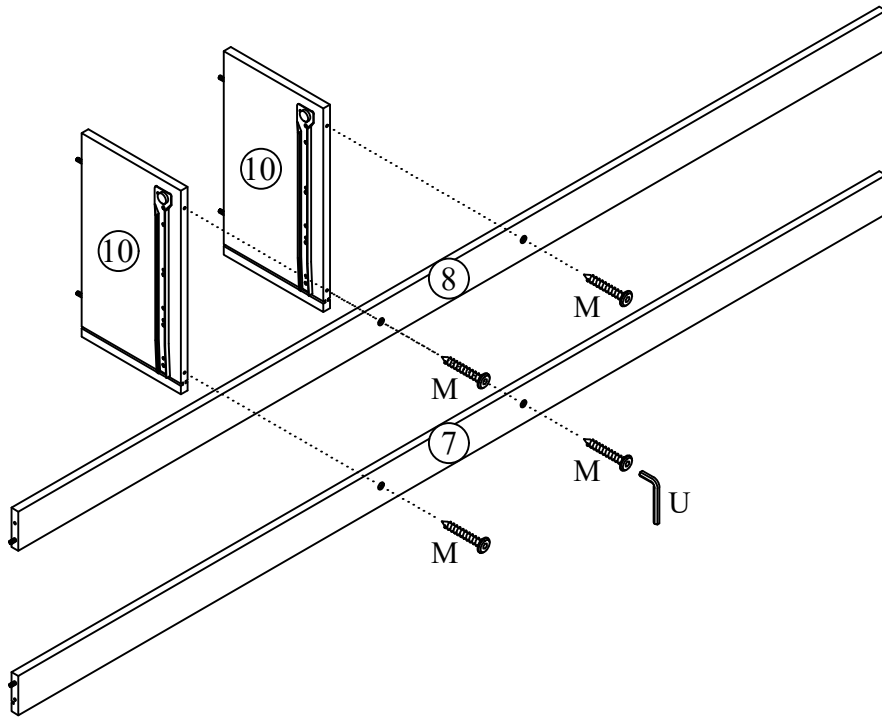
Fix hardware (Q) onto the drawer left panel and drawer right panel (14) and (15) using screw (E) by screwdriver (not provided). **DO NOT** use any power tools as this may damage the frame and will invalidate any claim.



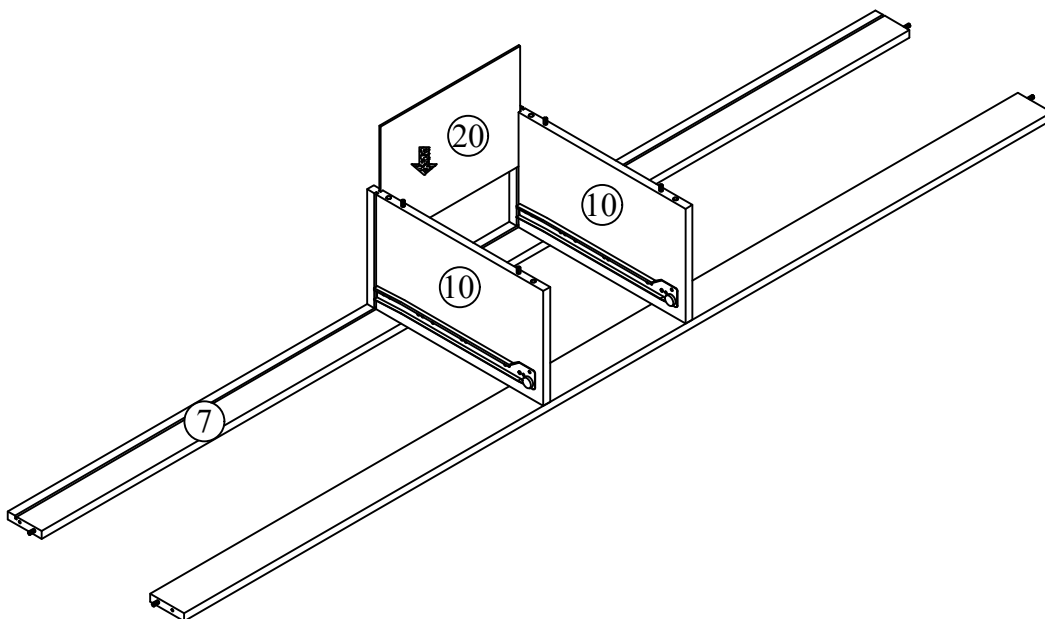
10

M		4
U		1

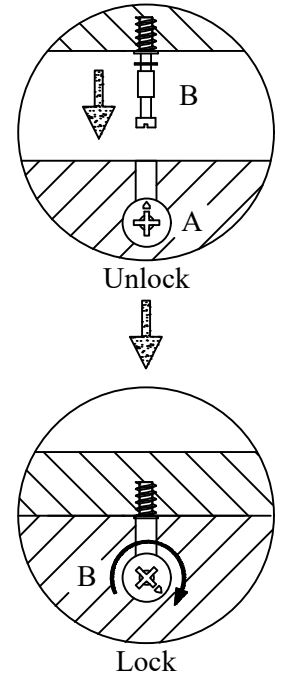
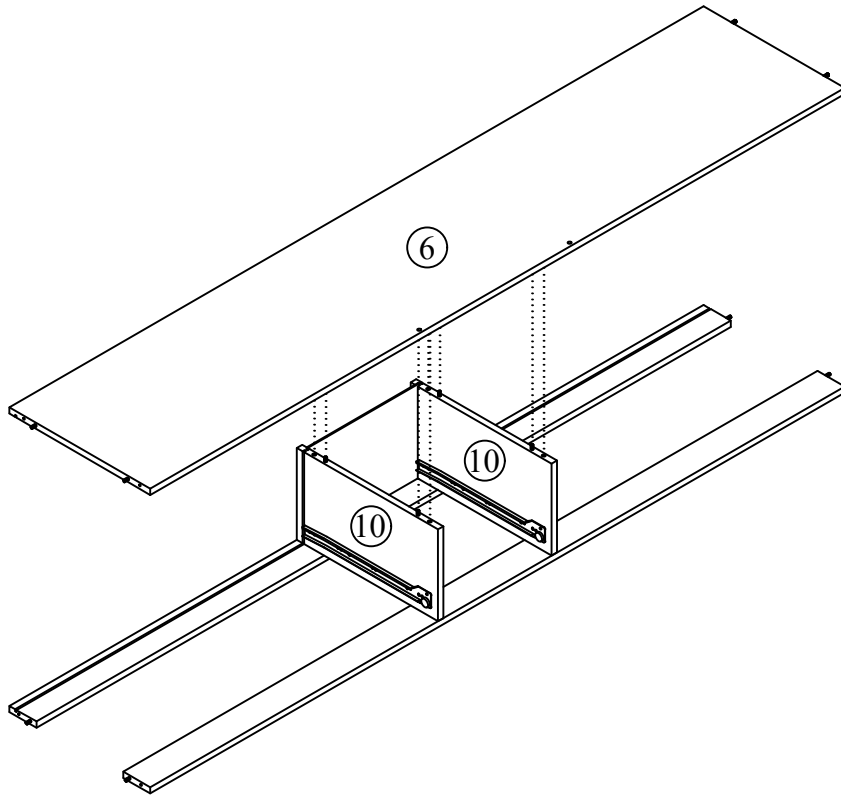
Attach the center panels (10) to the bottom back panel (7) and bottom front panel (8) with screw (M) by using allen key (U) and tighten clockwise.
DO NOT use any power tools as this may damage the frame and will invalidate any claim.

**11**

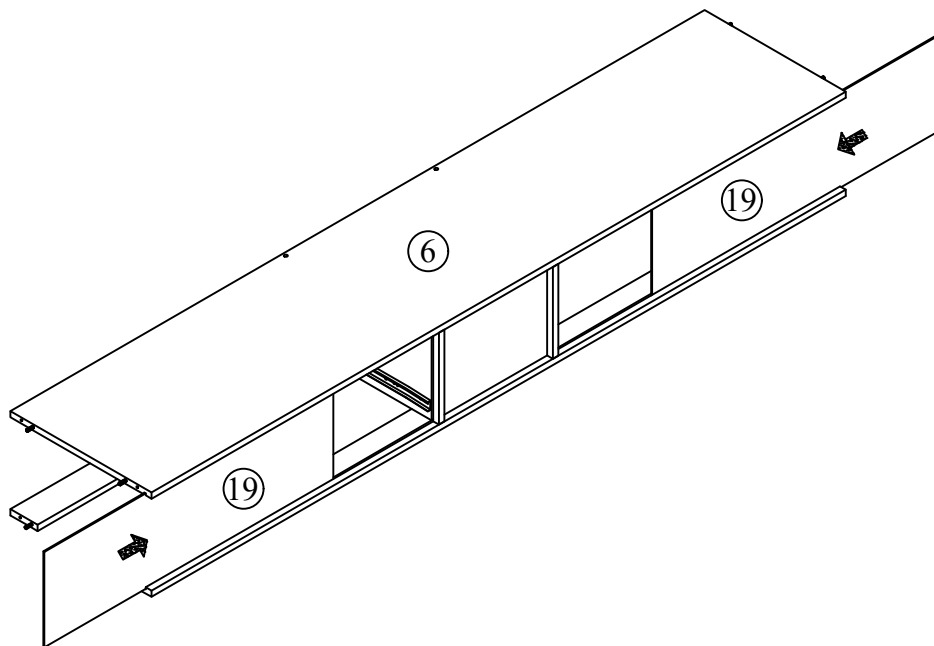
Insert back panel (20) as shown.







- 12** Fix the vertical panel (6) to the center panels (10) by using a screwdriver (not provided). **DO NOT** use any power tools as this may damage the frame and will invalidate any claim.



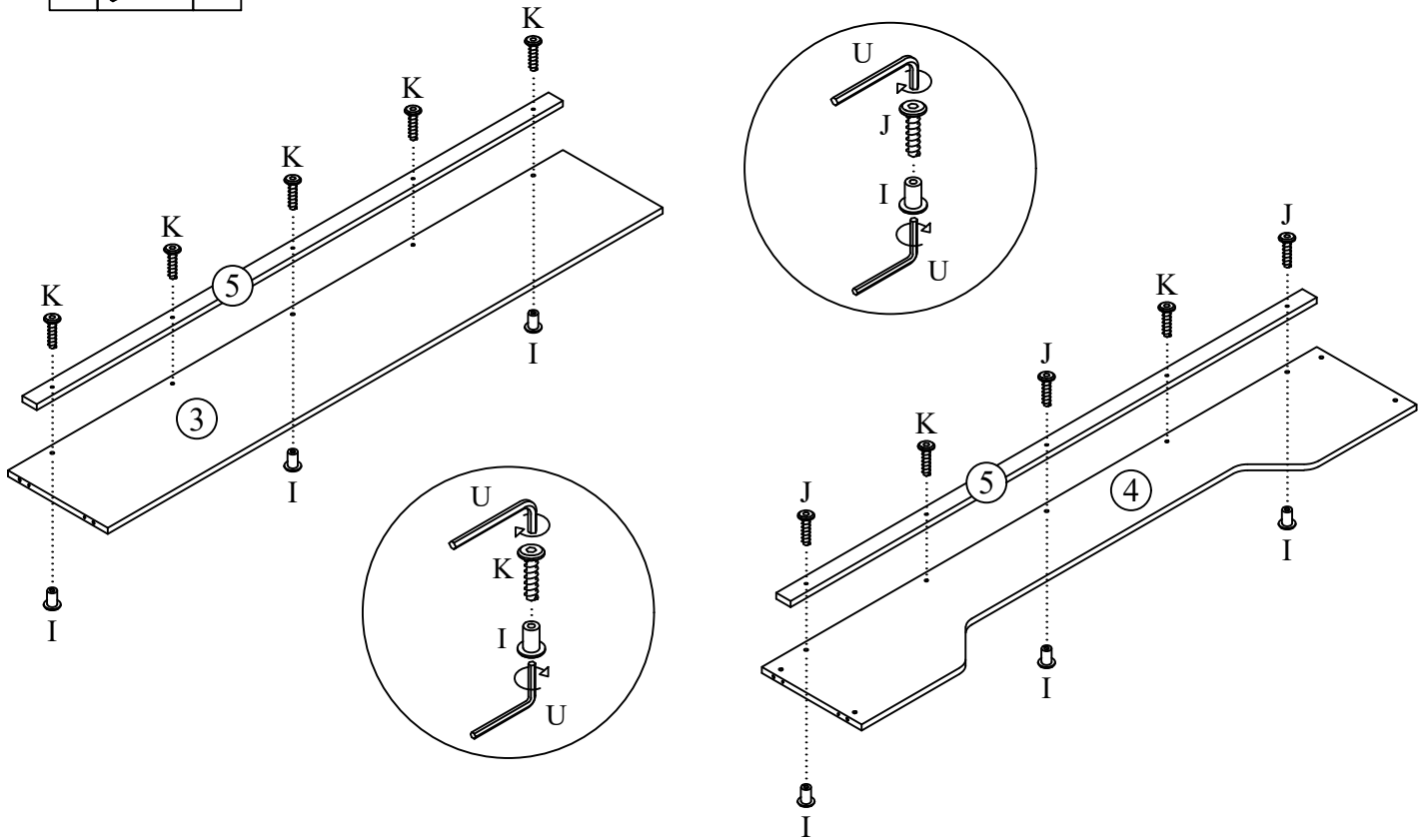
- 13** Insert back panels (19) as shown.





14

I		6
J		3
K		7
U		2

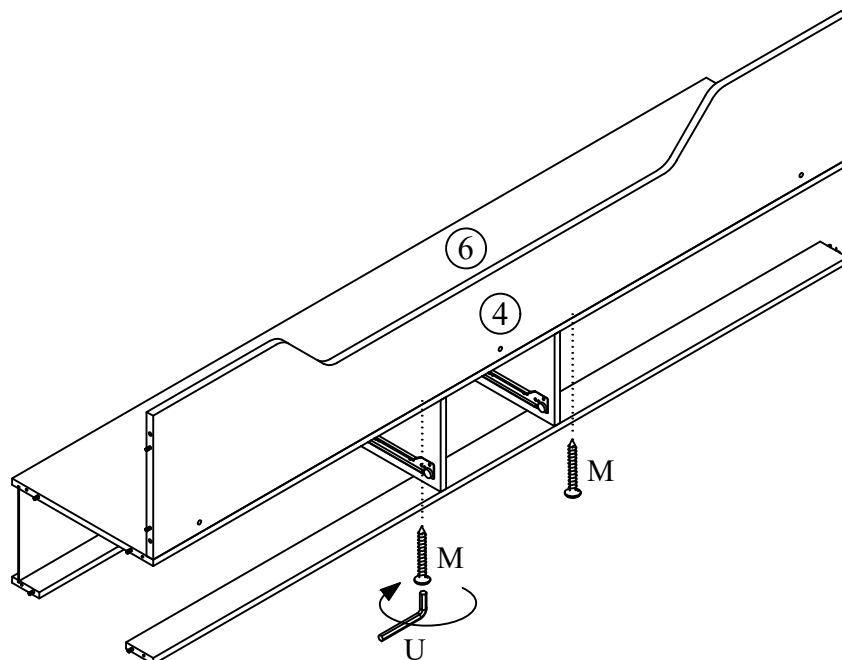
Insert hardware part (I) to back panel (3) and front panel (4) by using allen key (U). Attach back panel (3) and front panel (4) to support panel (5) with screw (J) and (K) by using allen key (U) and tighten clockwise.
DO NOT use any power tools as this may damage the frame and will invalidate any claim.






15

M		2
U		1

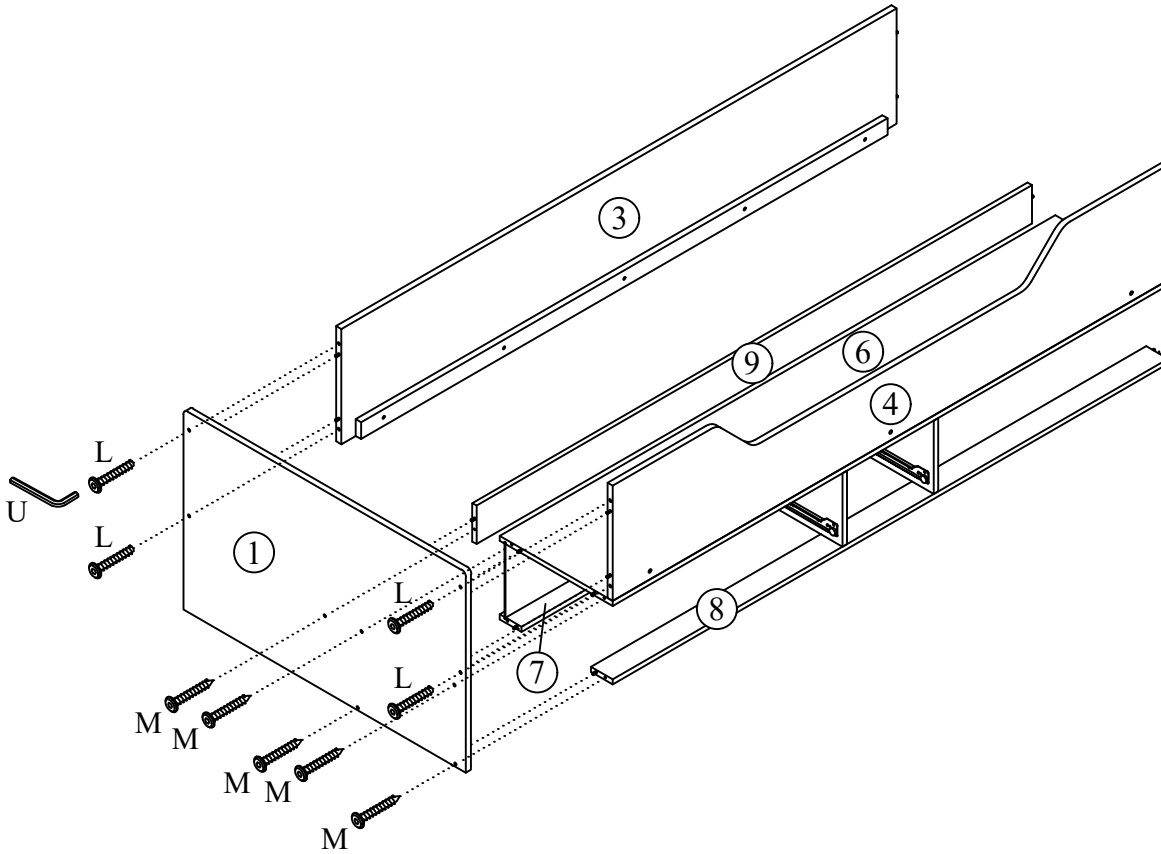
Attach the front panel (4) to the vertical panel (6) with screw (M) by using allen key (U) and tighten clockwise.
DO NOT use any power tools as this may damage the frame and will invalidate any claim.






16

L		4
M		5
U		1

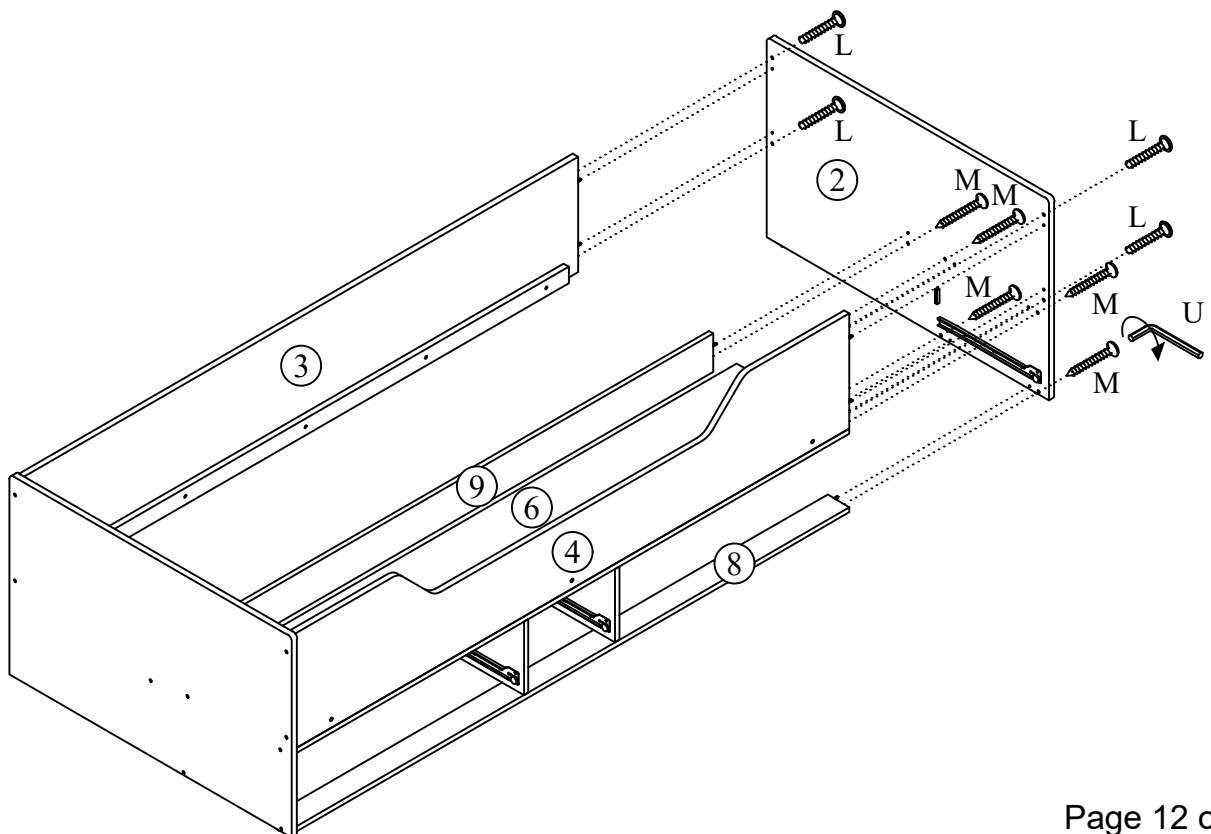
Attach the left panel (1) to the back panel (3) and front panel (4) with screw (L) by using allen key (U) and tighten clockwise. Attach the left panel (1) to the vertical panel (6) and bottom back panel (7) and bottom front panel (8) and center support panel (9) with screw (M) by using allen key (U) and tighten clockwise.
DO NOT use any power tools as this may damage the frame and will invalidate any claim.




17

L		4
M		5
U		1

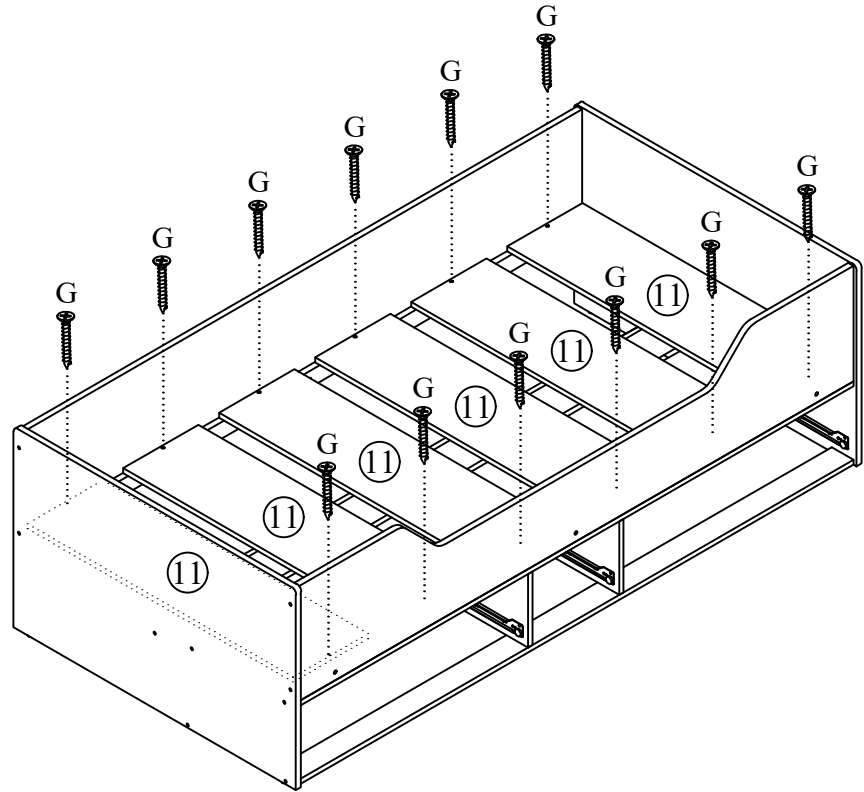
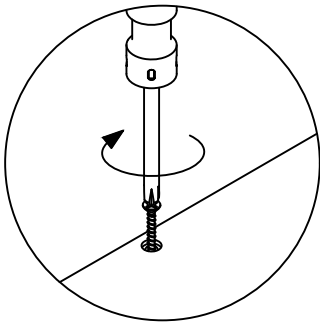
Attach the right panel (2) to the back panel (3) and front panel (4) with screw (L) by using allen key (U) and tighten clockwise. Attach the right panel (2) to the vertical panel (6) and bottom back panel (7) and bottom front panel (8) and center support panel (9) with screw (M) by using allen key (U) and tighten clockwise.
DO NOT use any power tools as this may damage the frame and will invalidate any claim.



18

G		12
---	---	----

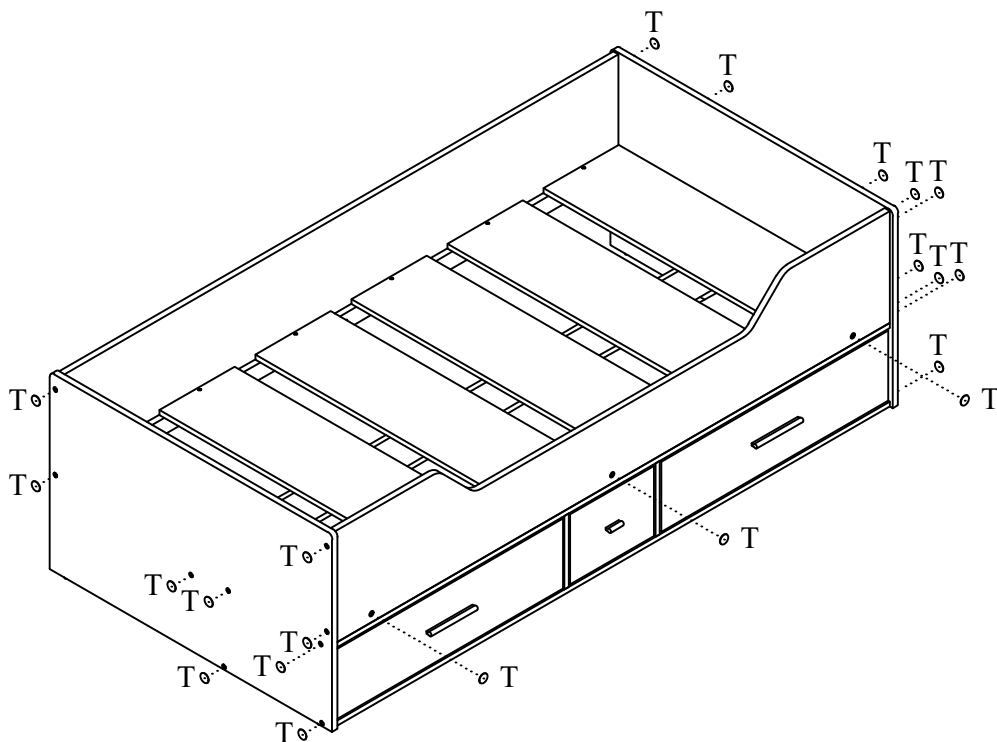
Attach base panel (11) with screw (G) by using a screwdriver (not provided).
DO NOT use any power tools as this may damage the frame and will invalidate any claim.

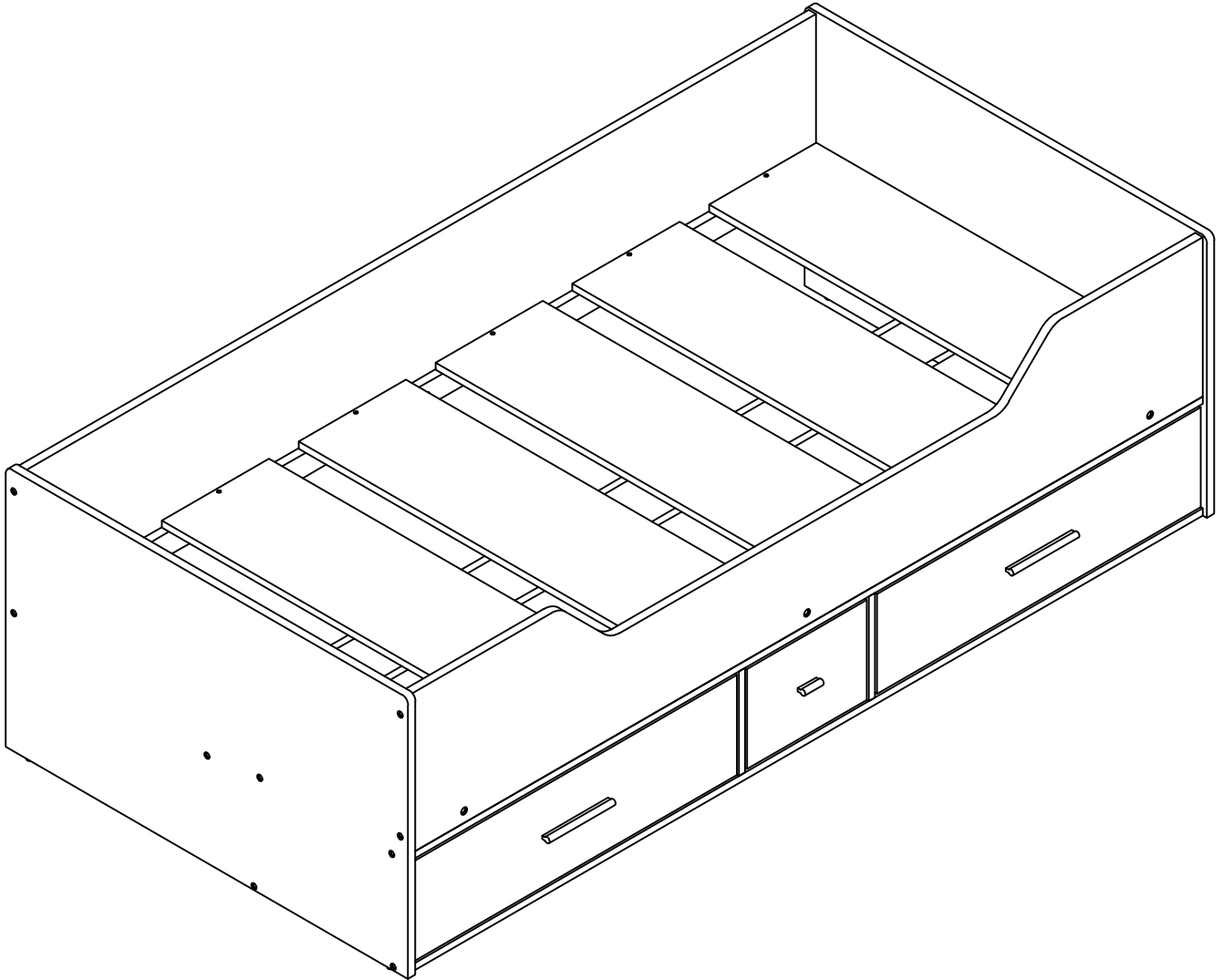


19

T		21
---	---	----

Cover screw hole with sticker (T) as shown.





Please dispose of all packaging safely.

General Care & Maintenance

Wipe clean with a slightly damp cloth.
Avoid the use of all household cleaners and abrasives.

Periodically check all screw & fixings to ensure they are secure.

When moving your product, carefully lift into place. Never drag or push the product across the floor as this will cause damage to the joints. If the product is used on hard flooring, such as wood or laminated floor, you must place some protection under the legs to stop the product from moving. If this is not adhered to, it could result in failure to the product that will invalidate the warranty.

For more information on cleaning and product care visit:
<https://www.happybeds.co.uk/help-and-advice>

Notes

In the unlikely event that you have problems putting this product together or have damaged or missing parts, please contact us by visiting:
<https://www.happybeds.co.uk/customer-service>