

Assembly Instructions

Important before assembly:

Read these instructions carefully before assembling or using the product.

Please check the contents of the boxes before attempting to assemble this product. The instructions will have a checklist of parts and fittings.

Assemble the product as close to its intended final location/room as possible.

Health & Safety:

This product or some parts of this product will be heavy. Please use an assistant when lifting.

Please keep small parts out of reach of children.

Always use on a level, even surface.

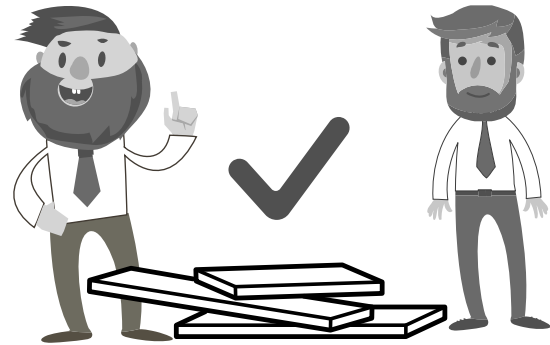
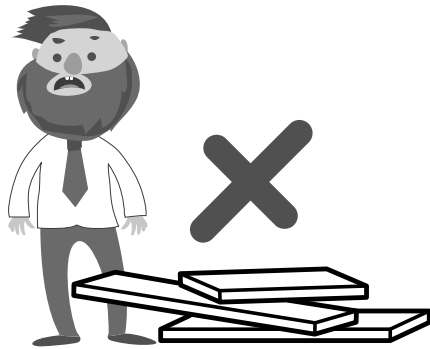
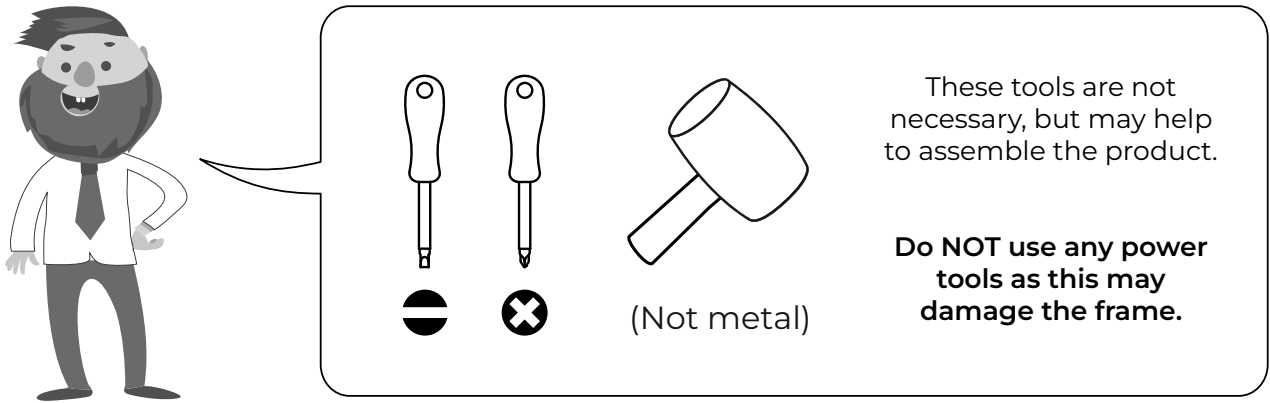
DO NOT jump on the product or any of its parts.

DO NOT use this product if any parts are missing, damaged or worn.

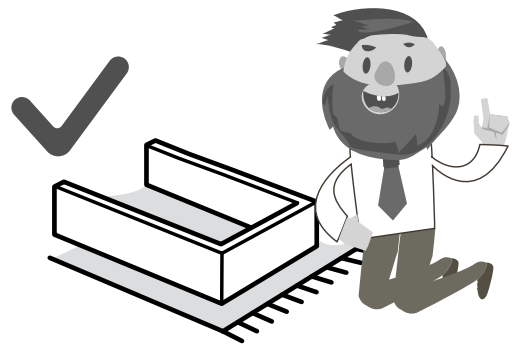
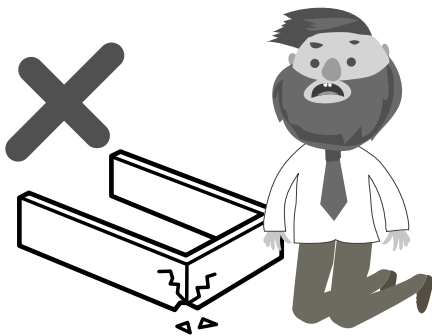
DO NOT use this product unless all fixings are secured.

Further instructions are on the following pages.

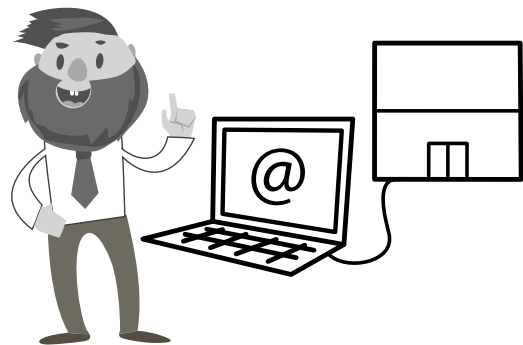
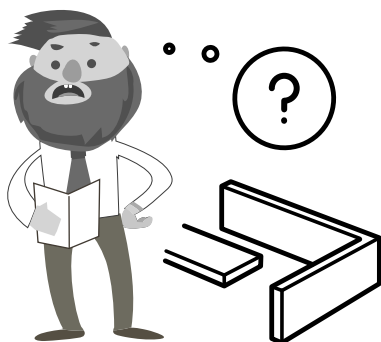
Please keep these instructions for future reference.



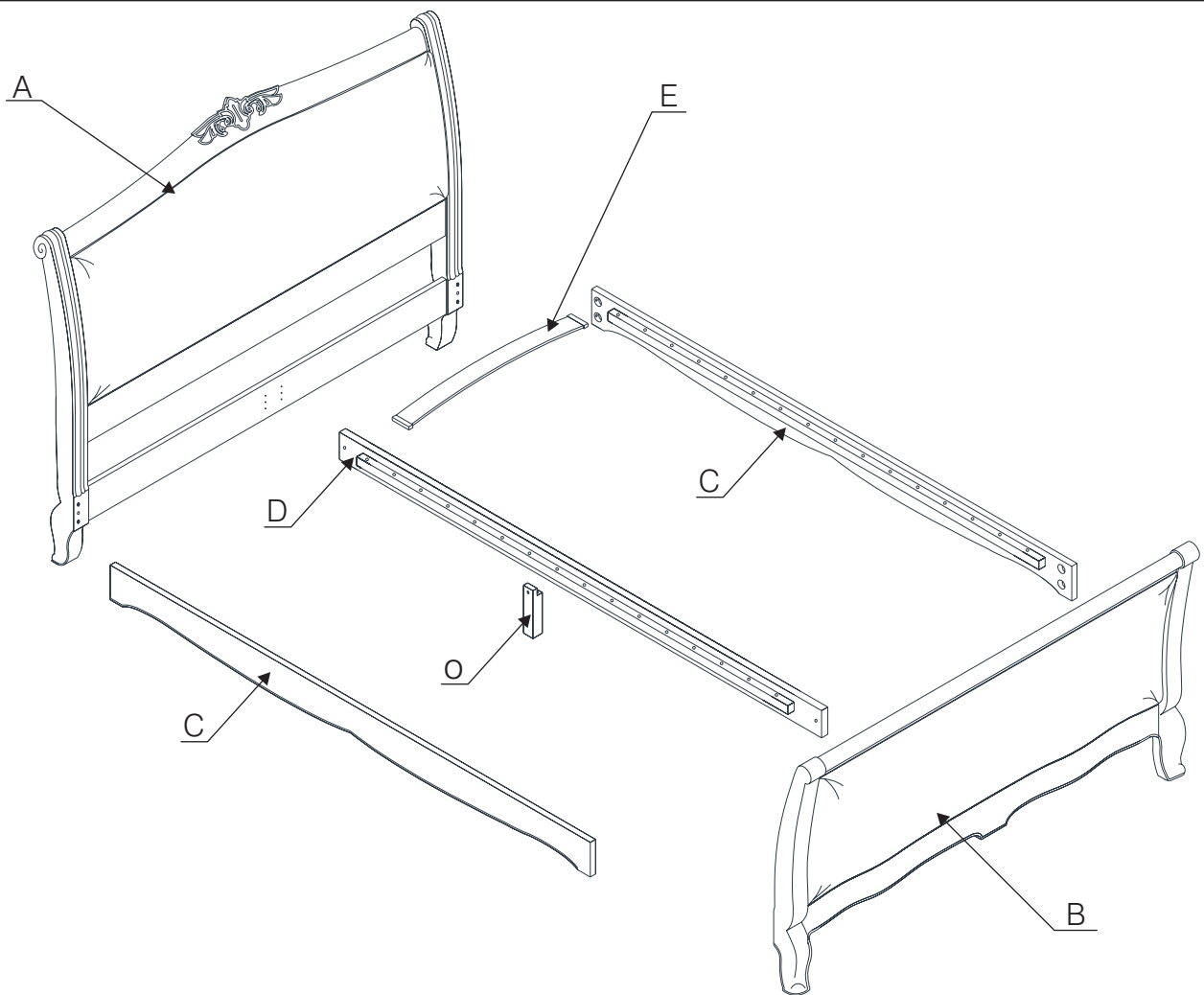
This product or some parts of this product will be heavy. Please use an assistant when lifting.



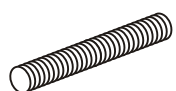




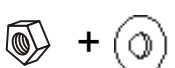


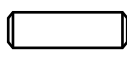
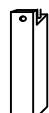
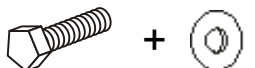
Never drag or push the pieces across a hard or stone floor as this will cause damage to the joints. Use a carpet or a rug for extra care.



If you have problems assembling or have damaged or missing pieces, please contact our customer services (details at the back of these instructions)

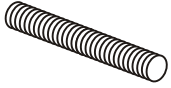


Panel and Fittings Identification

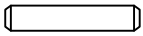
Item	Description	Qty.	Item	Description	Qty.	Item	Description	Qty.
A	Headboard	1	B	Footboard	1	C	Side Rail	2
D	Centre Rail	1	E	Slat 135cm bedstead 150/180cm bedstead	32 34	F	Thread 	8
G	Nut & Washer 	8	H	Open Ended Spanner 	1	I	20mm CSK Screw 	12
J	40mm Bolt 	2	K	Nut & Washer 	2 set	L	Plastic Cap (Provided with slats) 	
M	Bracket 	2	N	Wood Dowel 	4		135cm bedstead 150/180cm bedstead	64 68
O	Centre Rail Support Leg 	1	P	45mm Bolt & Washer 	1 set			

Step 1 Insert the four wooden dowels (N) into the headboard and footboard. This will assist in the alignment of the siderail. Screw the eight threads (F) into the headboard and footboard and tighten by hand.

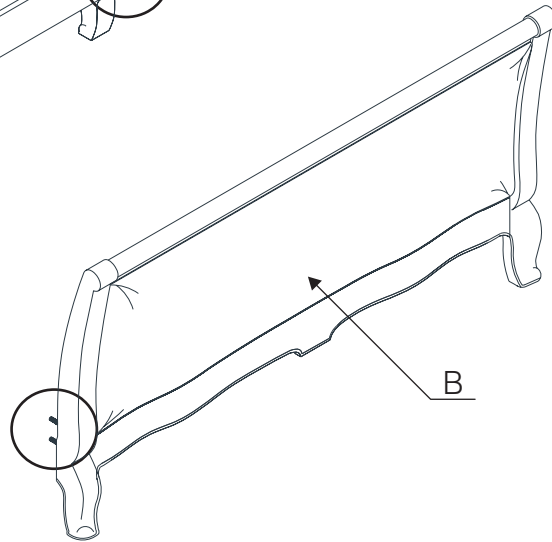
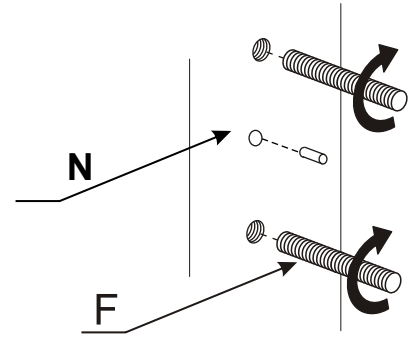
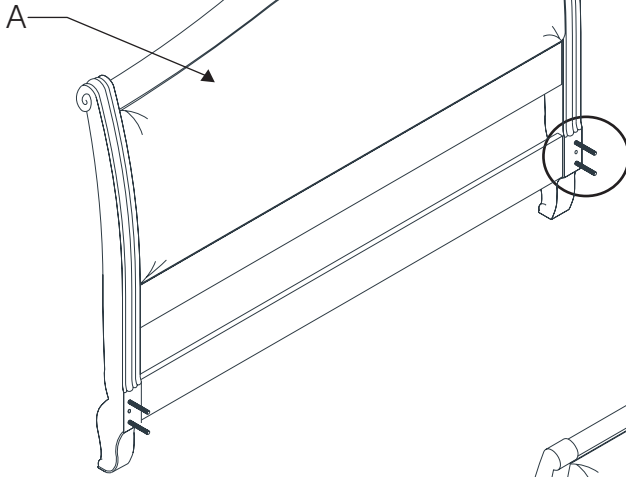
Fittings



F x 8



N x 4



Step 2 - Locate the side rails onto the threads protruding from the headboard. Locate the washer & Nut (G) onto the threads and secure by hand at first. Tighten evenly using the open ended spanner (Provided).

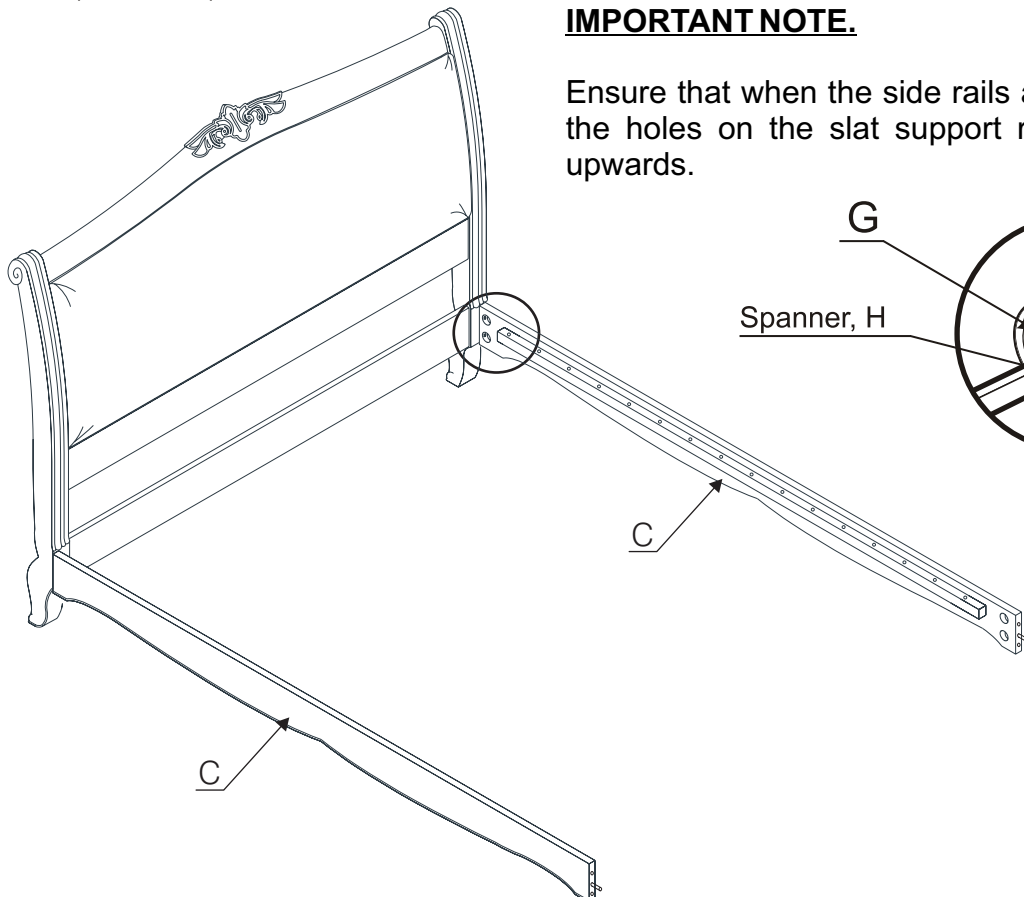
Fittings



G x 4

IMPORTANT NOTE.

Ensure that when the side rails are in position the holes on the slat support rail are facing upwards.

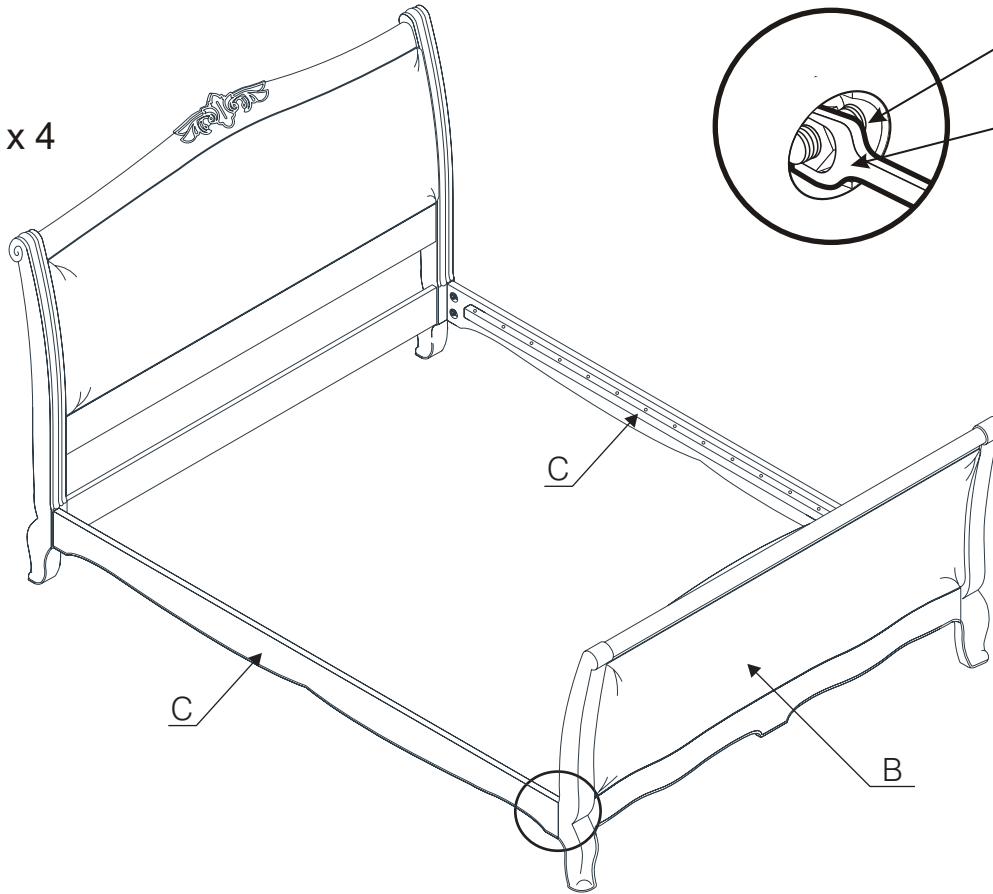
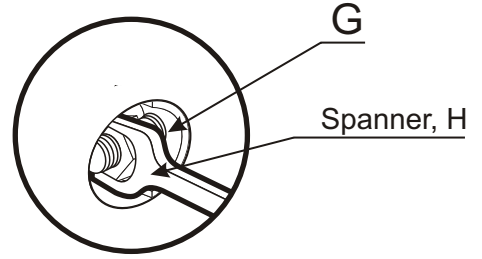


Step 3 - Locate the side rails onto the threads protruding from the footboard. Locate the washer & nut onto the threads and secure by hand at first. Tighten using the open ended spanner (Provided).

Fittings



G x 4

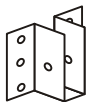


Step 4 - Attach the brackets (M) to the headboard and footboard using the screws (I) inserted into the pre-drilled pilot holes. Tighten using a crosshead screwdriver.

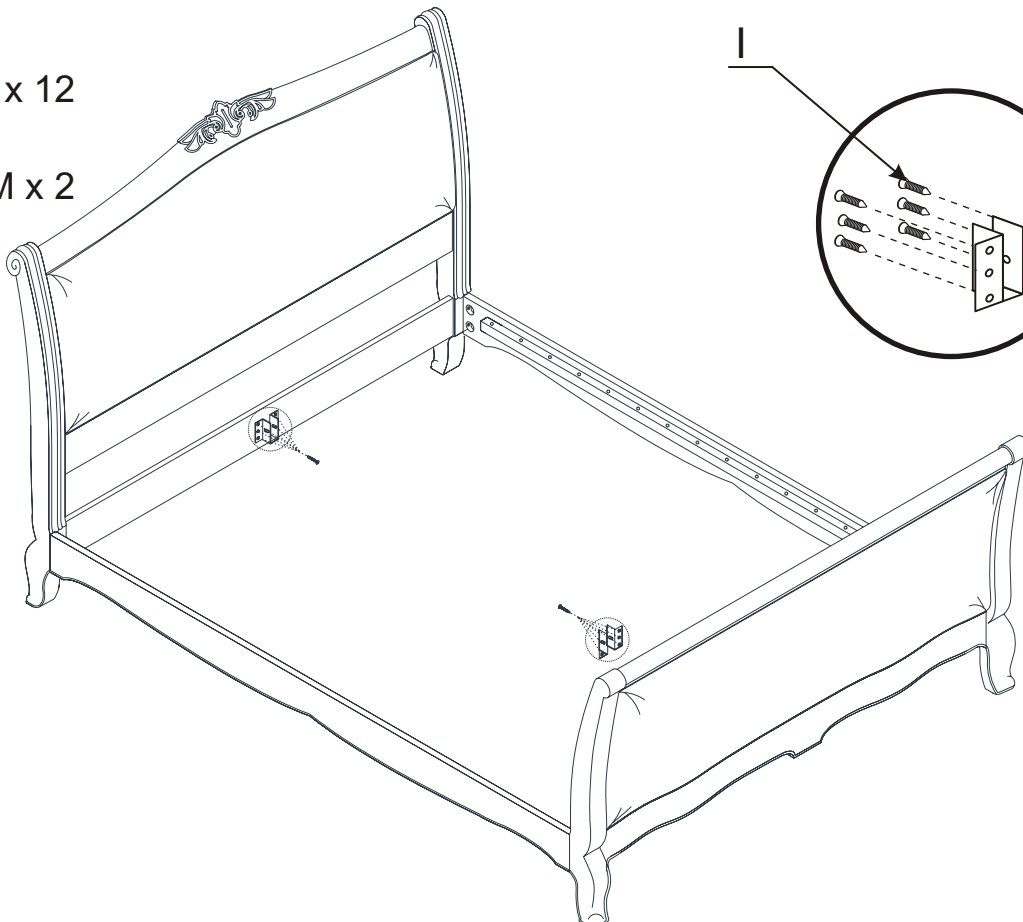
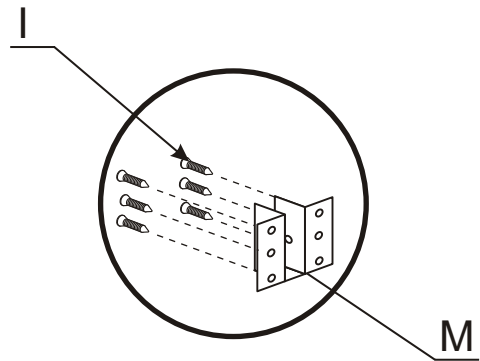
Fittings



I x 12

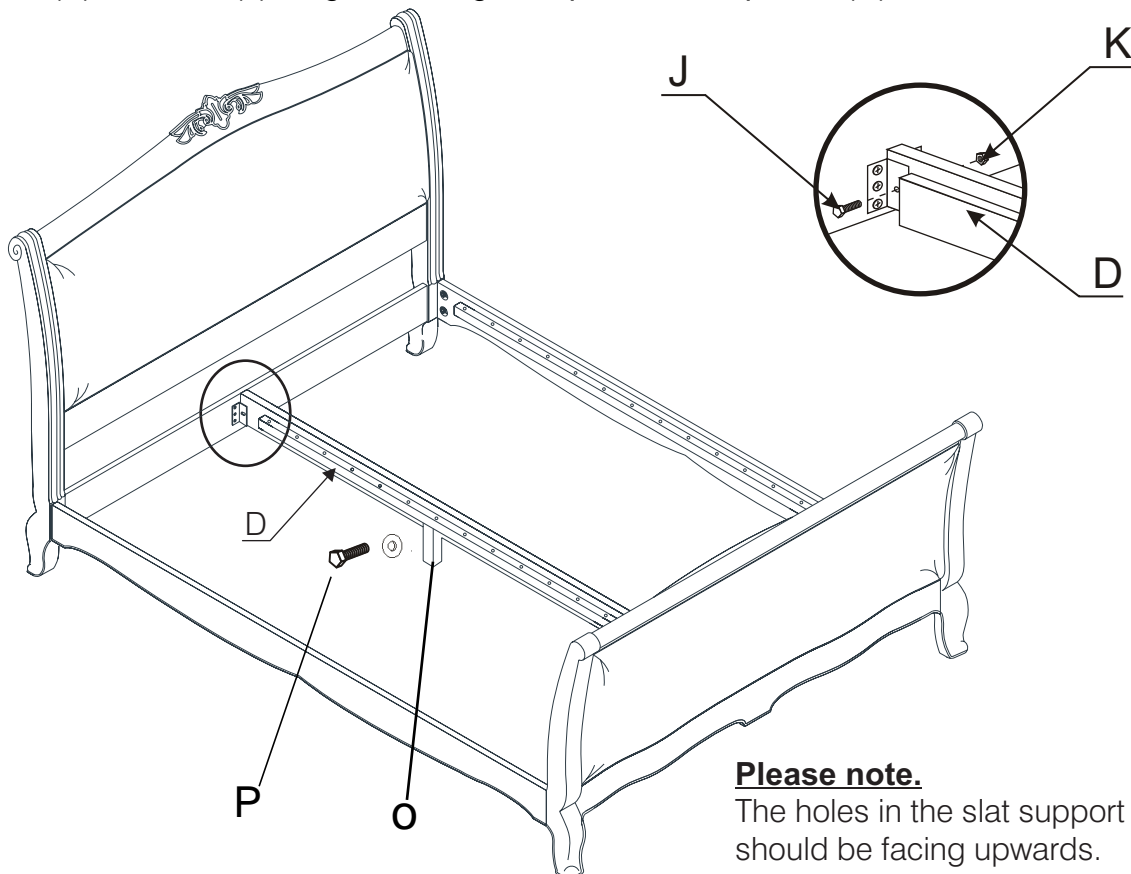
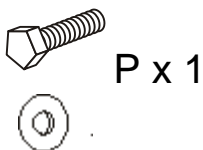


M x 2



- Step 5** - First attach the centre rail support leg(O) into the underneath of the centre rail(D), and secure using the bolt and washer(P).
 - Locate the centre rail(D) into the headboard and footboard brackets, and secure using the nuts(K) and bolts(J). Tighten using the open ended spanner(H)

Fittings

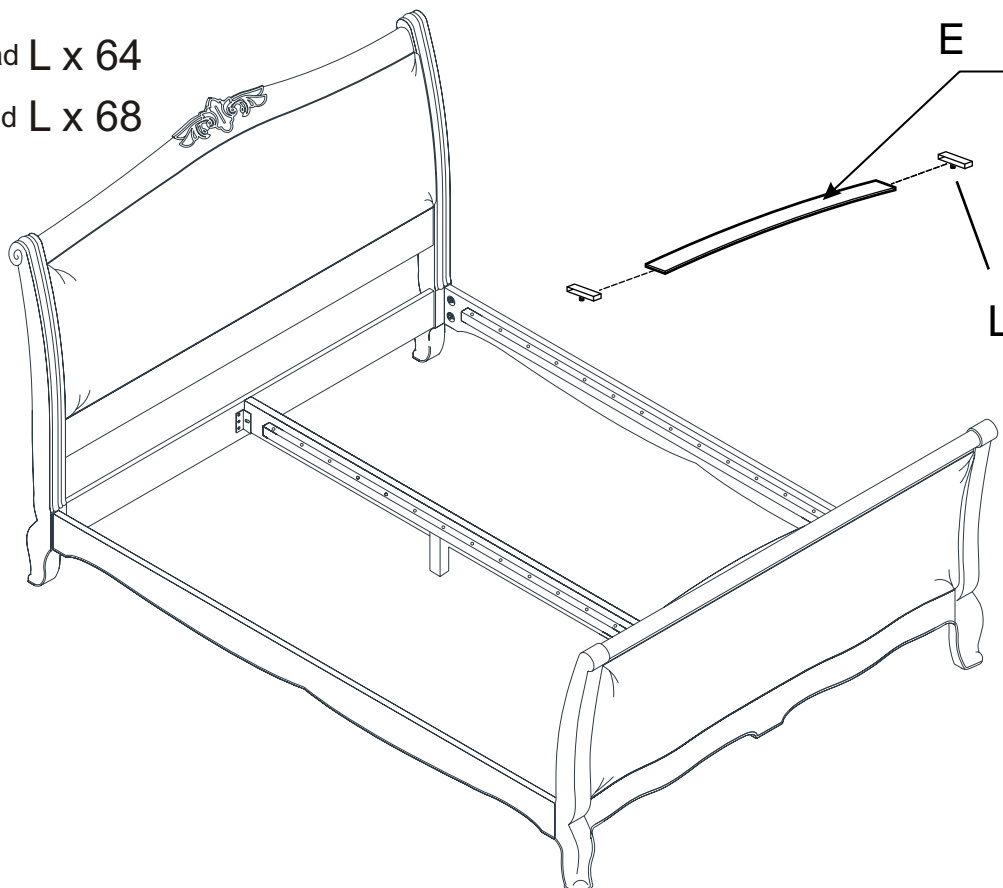
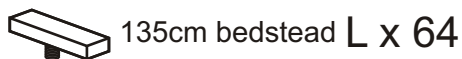


Please note.

The holes in the slat support rail should be facing upwards.

- Step 6** - Push fit two plastic caps onto either end of the slat. Push fit the slat into the pre-drilled pilot holes. Please note that it may require a light tap with a soft hammer to secure the plastic end caps into the holes. Repeat this step with the other 31/ 33 slats. The assembly is now complete.

Fittings



Please dispose of all packaging safely.

General Care & Maintenance

Wipe clean with a slightly damp cloth.
Avoid the use of all household cleaners and abrasives.

Periodically check all screw & fixings to ensure they are secure.

When moving your product, carefully lift into place. Never drag or push the product across the floor as this will cause damage to the joints. If the product is used on hard flooring, such as wood or laminated floor, you must place some protection under the legs to stop the product from moving. If this is not adhered to, it could result in failure to the product that will invalidate the warranty.

For more information on cleaning and product care visit:
<https://www.happybeds.co.uk/help-and-advice>

Notes

In the unlikely event that you have problems putting this product together or have damaged or missing parts, please contact us by visiting:
<https://www.happybeds.co.uk/customer-service>