

Assembly Instructions

Important before assembly:

Please read these instructions carefully before assembling or using the product.

Please check the contents of each box before attempting to assemble this product. The instructions will have a checklist of parts and fittings.

Assemble the product as close to its intended final location/room as possible.

Health & Safety:

This product or some parts of this product will be heavy. Please use an assistant when lifting.

Please keep small parts out of reach of children.

Always use on a level, even surface.

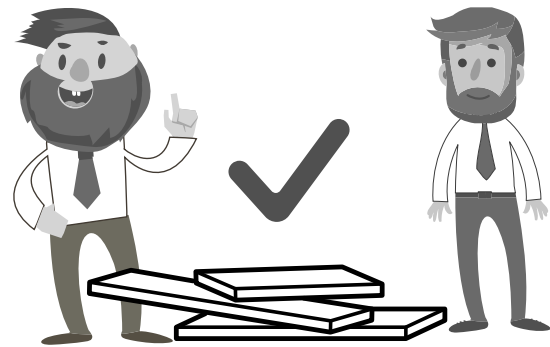
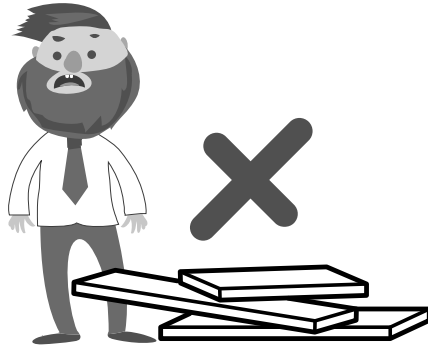
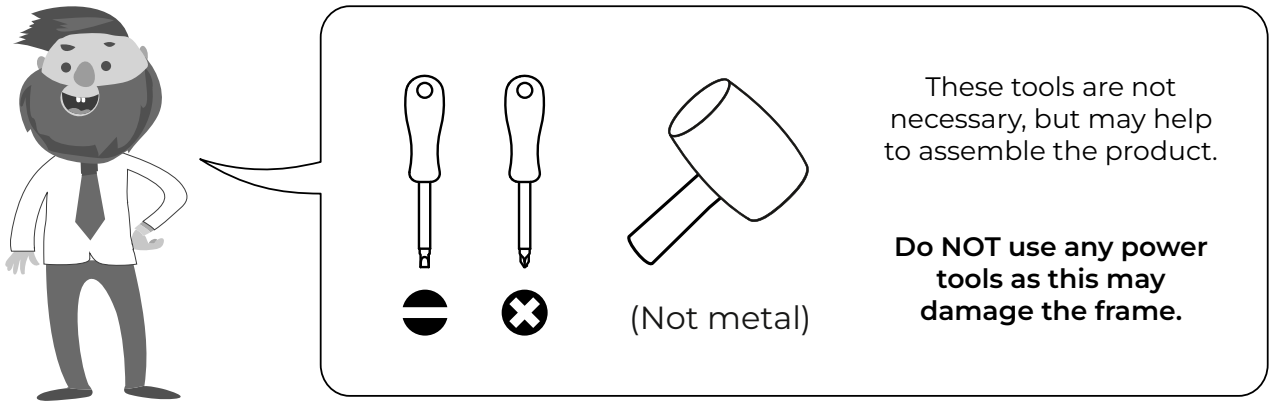
DO NOT jump on the product or any of its parts.

DO NOT use this product if any parts are missing, damaged or worn.

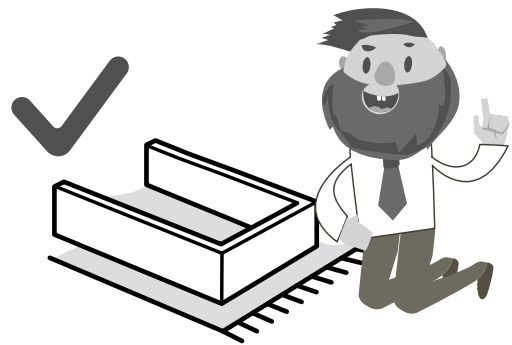
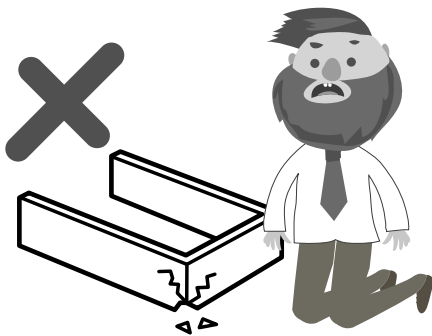
DO NOT use this product unless all fixings are secured.

Further instructions are on the following pages.

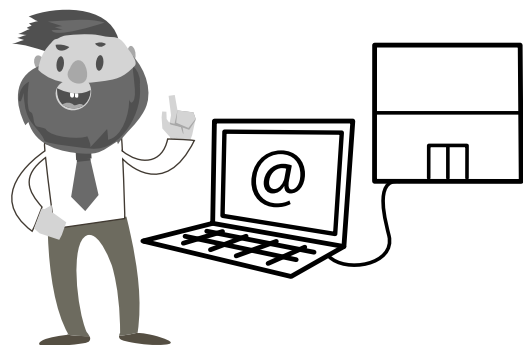
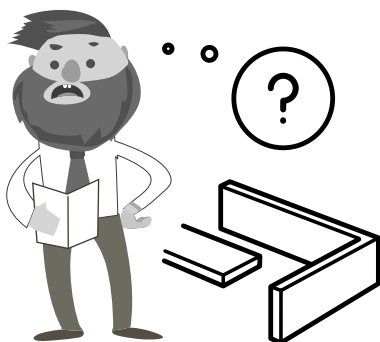
Please keep these instructions for future reference.



This product or some parts of this product will be heavy. Please use an assistant when lifting.



Never drag or push the pieces across a hard or stone floor as this will cause damage to the joints. Use a carpet or a rug for extra care.



If you have problems assembling or have damaged or missing pieces, please contact our customer services (details at the back of these instructions)

Important for Ottoman and other gas lift beds

Please follow these final steps to ensure the best experience with your new bed

- Please ensure the pistons are fitted to the bed frame.
- Please place the mattress on top of the bed frame.
- Standing at the foot of the frame (looking at the headboard) open the base and the press quite forcefully down on the mattress - please do not attempt to do this without the mattress being in place.
- Please do not pull on the strap handles.
- Please note as the pistons are full of gas - you will need to press heavily to release the compressed gas.
- Once done the pistons should start operating as normal.

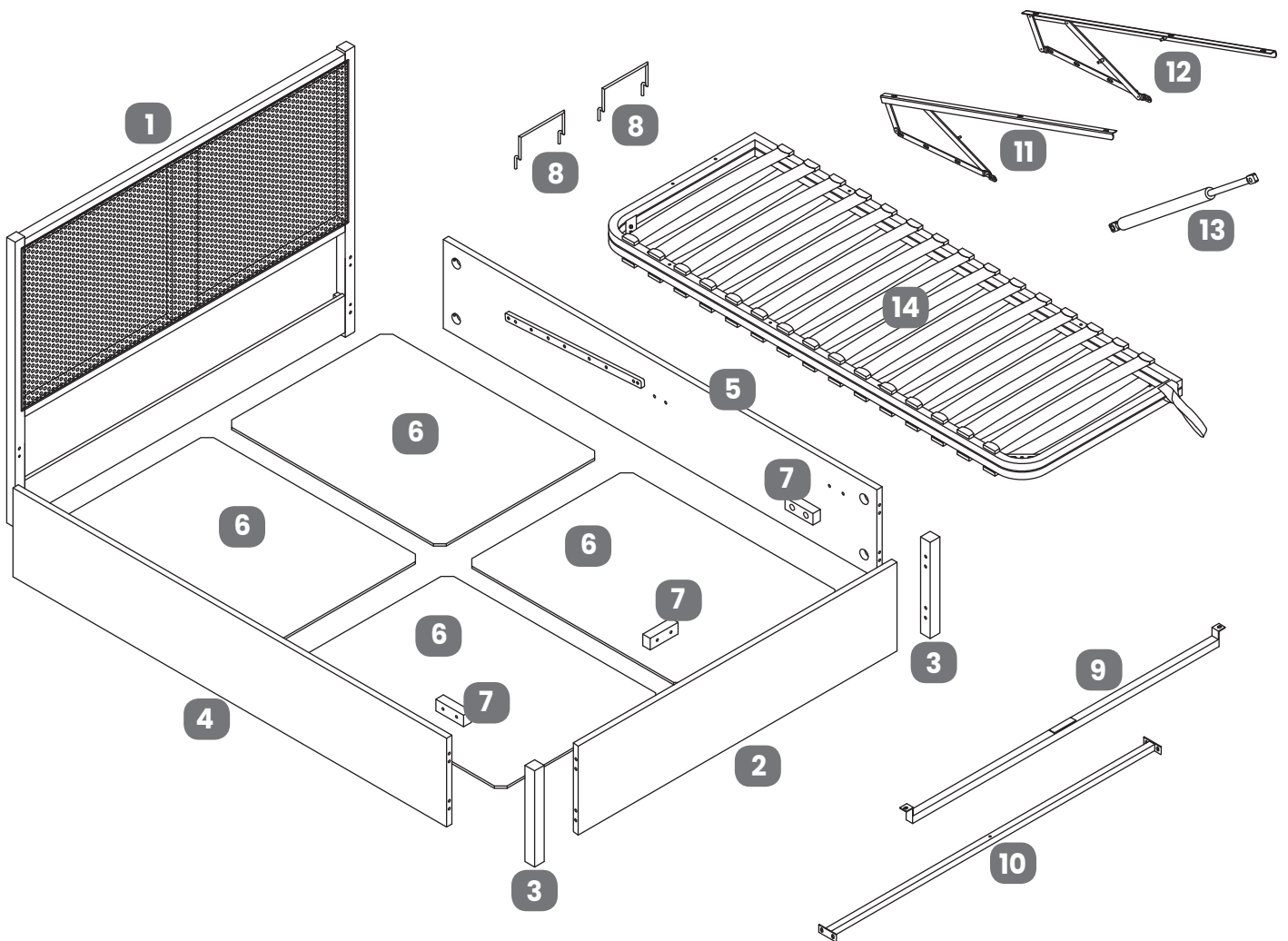


Happy beds™

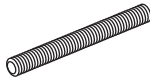
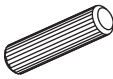
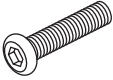






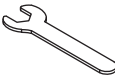
www.happybeds.co.uk

No	Part List	Qty	Box
1	Headboard	1 pc	1
2	Footboard	1 pc	3
3	Legs	1 pc	3
4	Side rail - LH	1 pc	2
5	Side rail - RH	1 pc	2
6	Storage base panels	4 pcs	3
7	Support Blocks	3 pcs	1

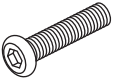
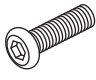

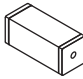

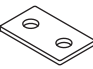

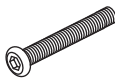

No	Part List	Qty	Box
8	Mattress stoppers	2 pcs	3
9	Slat frame cross bar	1 pc	3
10	Side rails cross bar	1 pc	3
11	Gas-lift mechanism-LH	1 pc	3
12	Gas-lift mechanism-RH	1 pc	3
13	Gas-lift pistons	2 pcs	3
14	Metal slat frame	1 pc	3



HARDWARE NEEDED FOR BED ASSEMBLY (PACK A)

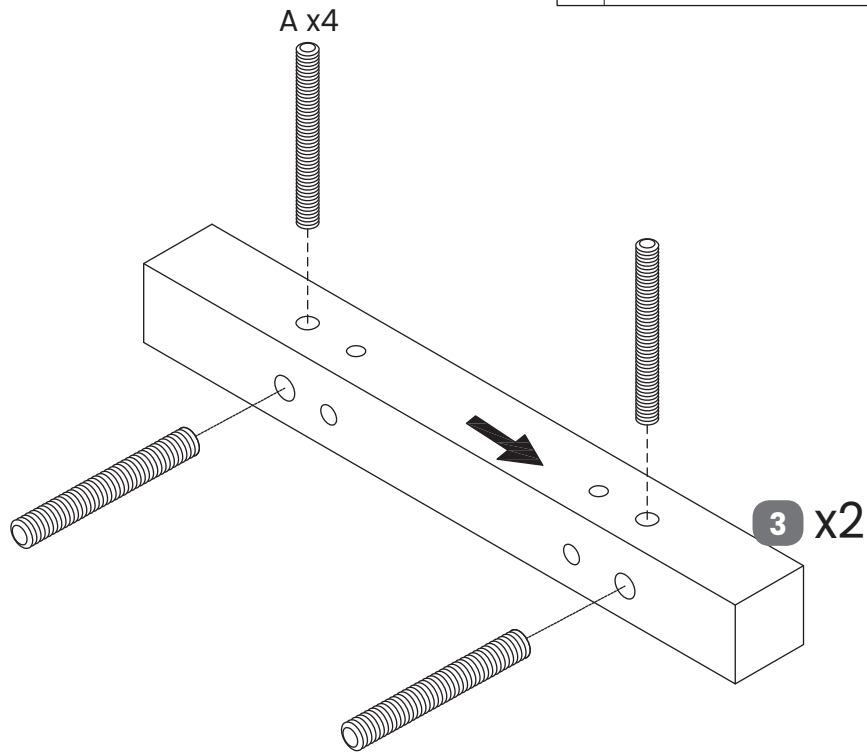
No	Hardware List	Qty	Box	No	Hardware List	Qty	Box
A	Threaded stud (M8x80mm) 	12 pcs	3	F	Dowel (Ø8x30mm) 	12 pcs	3
B	Bolt (M8x35mm) 	6 pcs	3	G	Nuts for M8 stud 	12 pcs	3
C	Spring washer for M8 bolt and stud 	18 pcs	3	H	Flat washer (M8x14x1.5 mm) for M8 stud 	12 pcs	3
D	Flat washer (M8x19x1.5 mm) for M8 bolt 	6 pcs	3	J	Half-moon bracket 	12 pcs	3
E	Allen key for M8 bolts 	1 pc	3	K	Spanner for M8 nut 	1 pc	3

HARDWARE NEEDED FOR SLAT FRAME ASSEMBLY & FITTING (PACK B)







No	Hardware List	Qty	Box	No	Hardware List	Qty	Box
B	Bolt (M8x35mm) 	9 pcs	3	M	Bolt (M8x25mm) 	10 pcs	3
C	Spring washer for M8 bolt and stud 	24 pcs	3	N	Support block for side rail cross bar 	1 pc	3
D	Flat washer (M8x19x1.5 mm) for M8 bolt 	31 pcs	3	P	Metal connection plates 	2 pcs	3
G	Nuts for M8 bolt 	6 pcs	3	Q	Bolt (M8x50mm) 	6 pcs	3
L	Flanged M8 lock-nuts 	4 pcs	3				

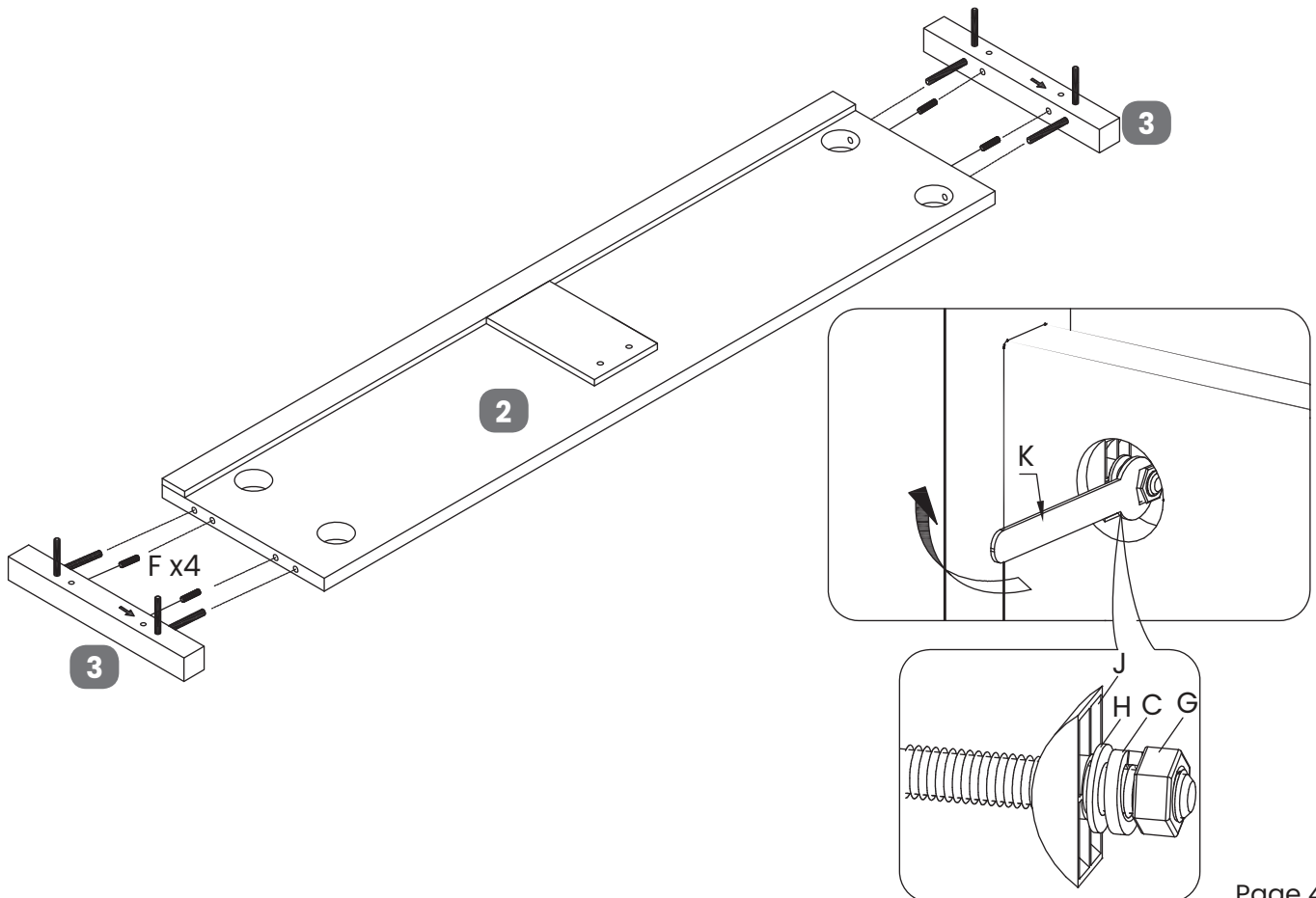
Step 1:

A	Threaded stud (M8x80mm)		8 pcs
---	-------------------------	--	-------


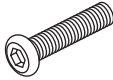





Step 2:

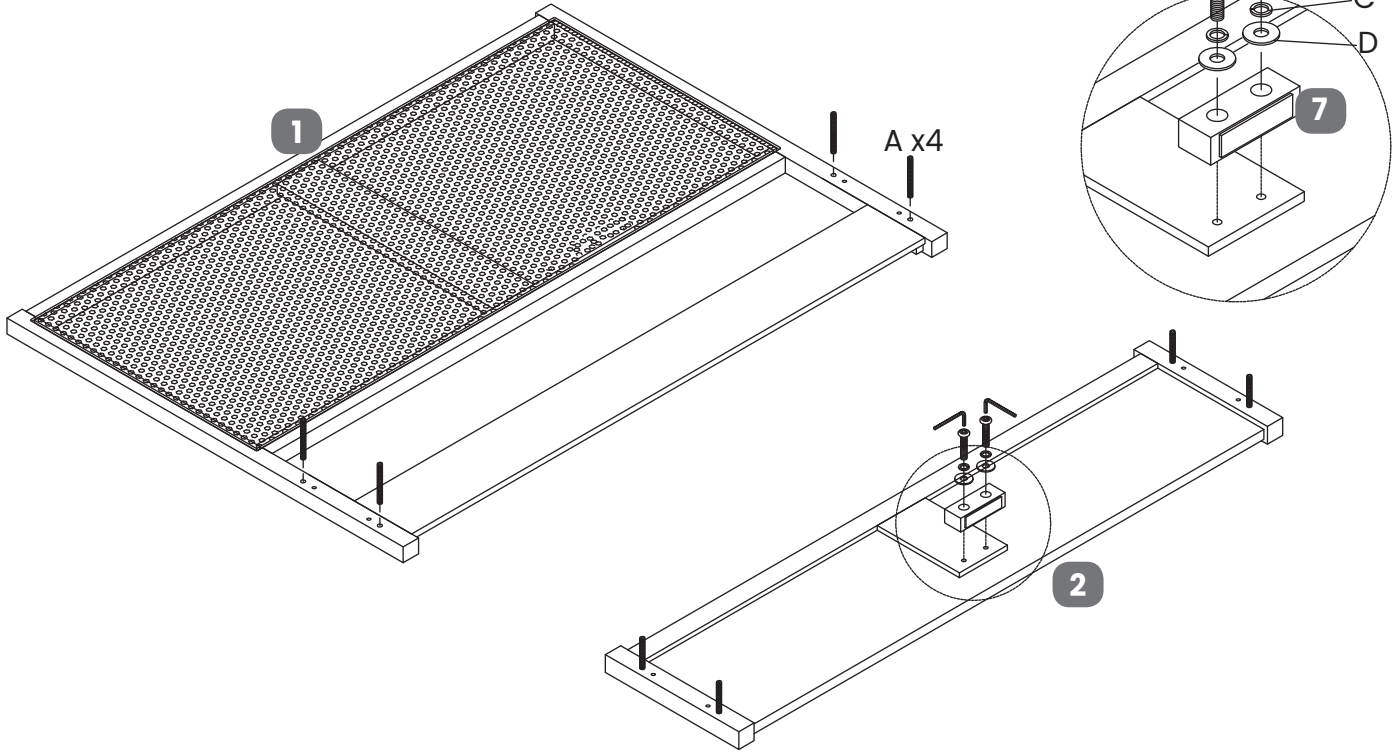
C	Spring Washer		4 pcs	H	Flat Washer		4 pcs
F	Dowel		4 pcs	J	Half-moon bracket		4 pcs
G	Nuts for M8 stud		4 pcs	K	Spanner for M8 nut		1 pc



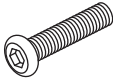

Step 3:



A	Threaded stud (M8x80mm)		4 pcs
B	Bolts (M8x35mm)		2 pcs
C	Spring Washer		2 pcs

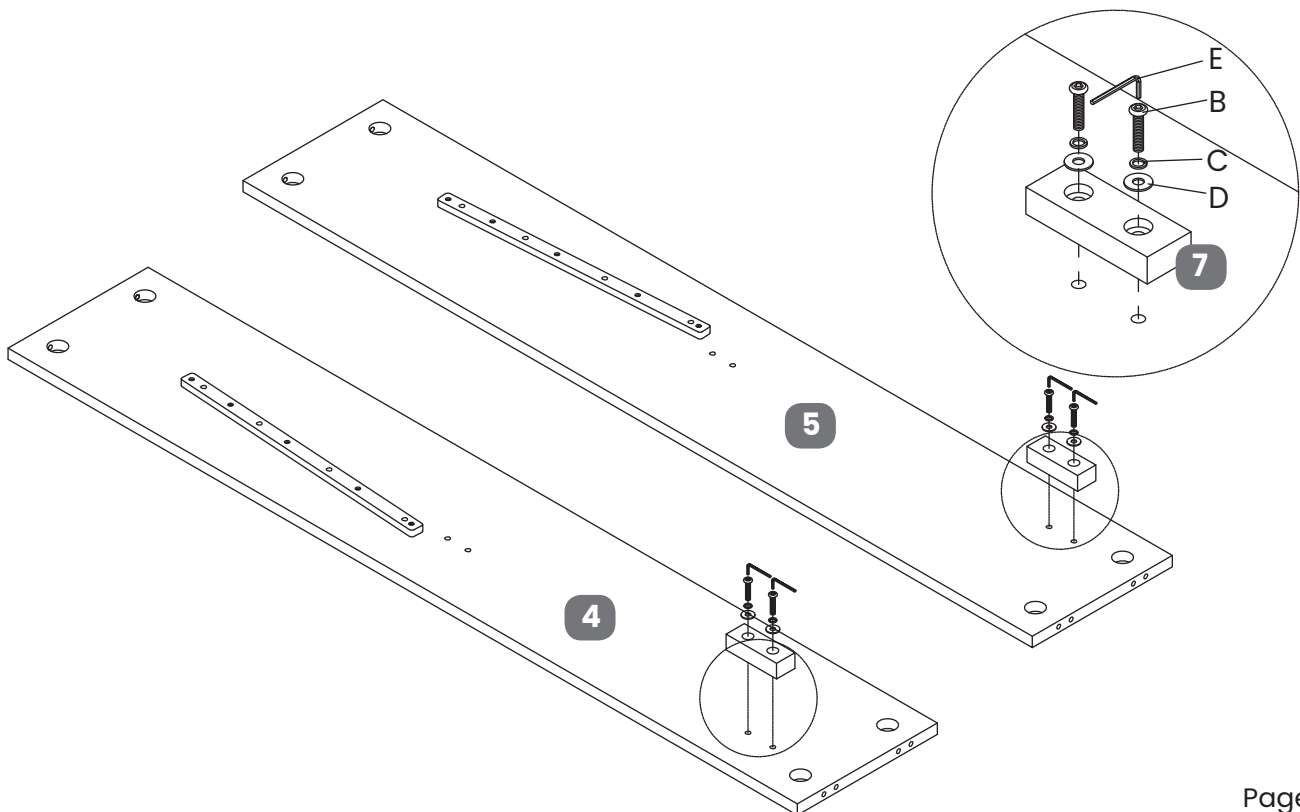
D	Flat Washer		2 pcs
E	Allen Key		1 pc






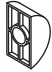

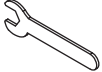
Step 4:

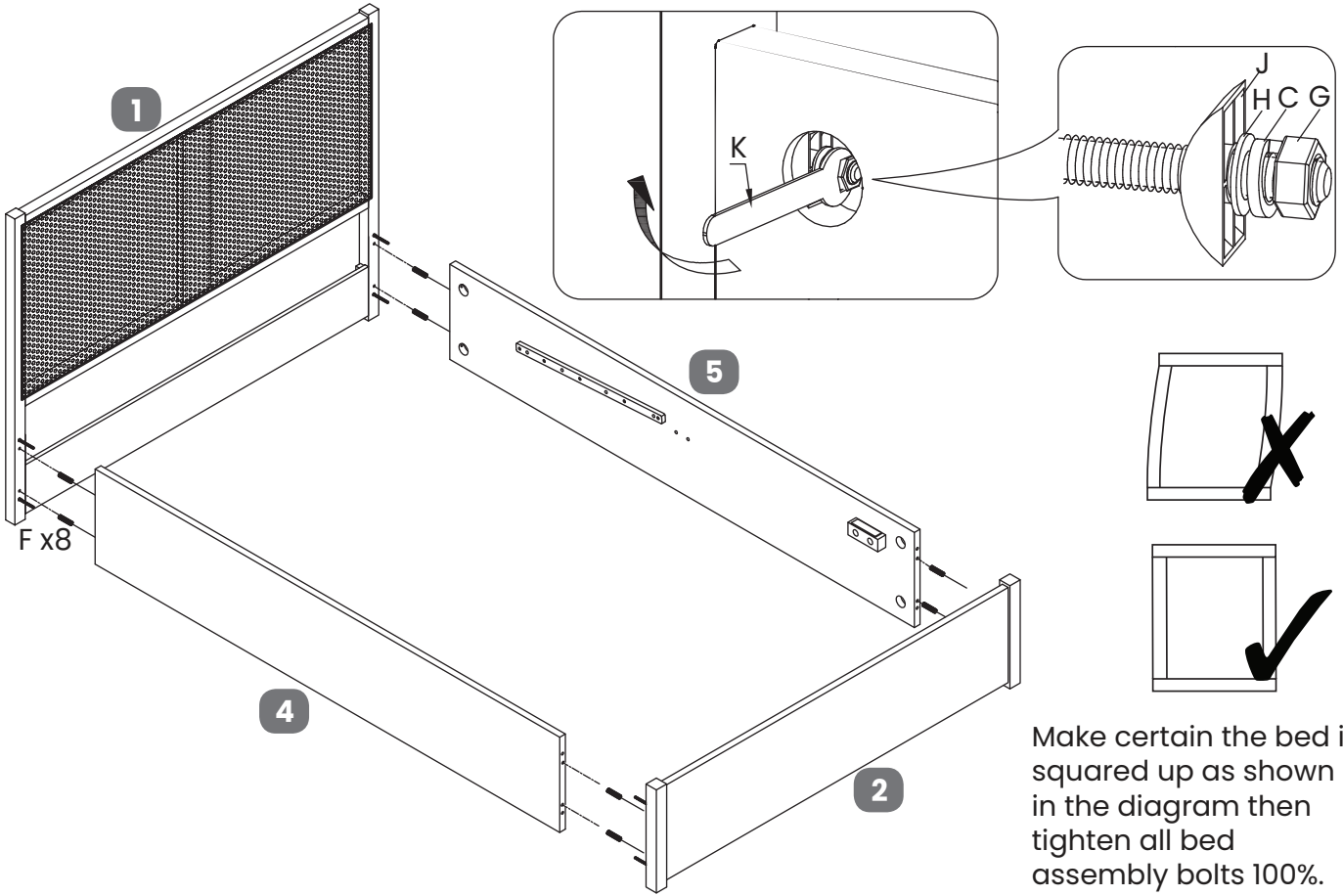
B	Bolts (M8x35mm)		4 pcs
C	Spring Washer		4 pcs

D	Flat Washer		4 pcs
E	Allen Key		1 pc

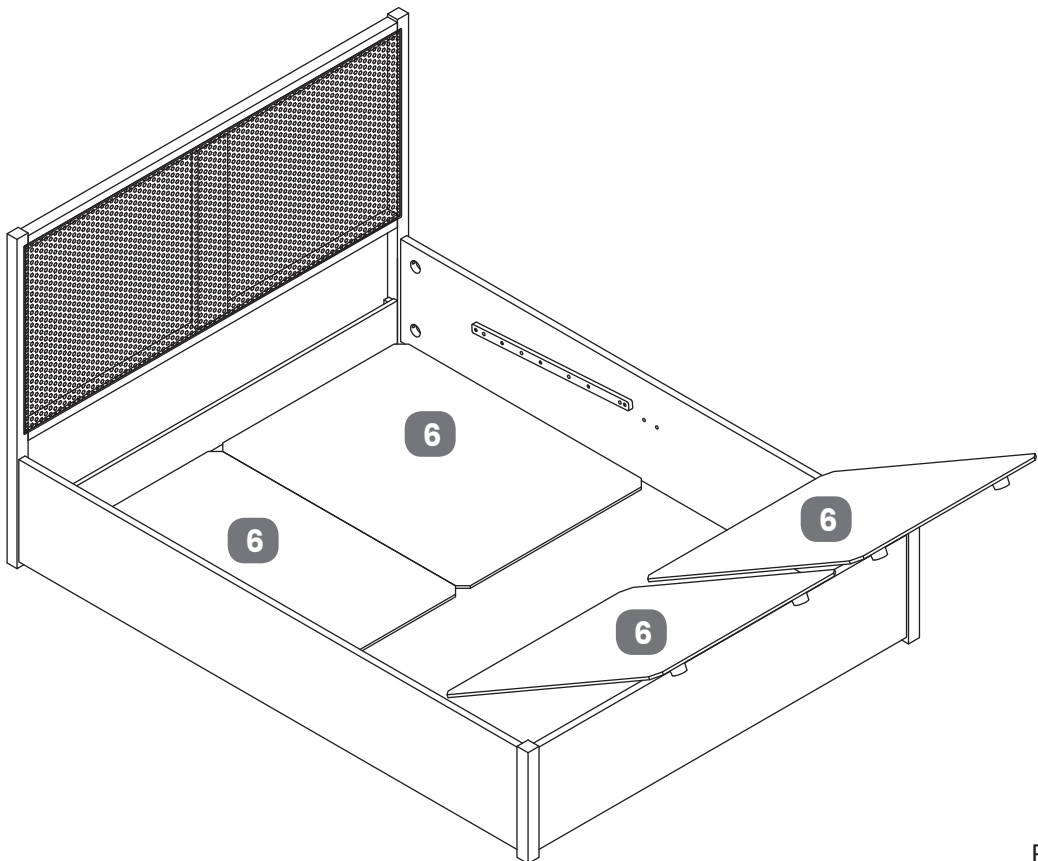


Step 5:


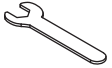
C	Spring Washer		8 pcs	H	Flat Washer		8 pcs
F	Dowel		8 pcs	J	Half-moon bracket		8 pcs
G	Nuts for M8 stud		8 pcs	K	Spanner for M8 nut		1 pc

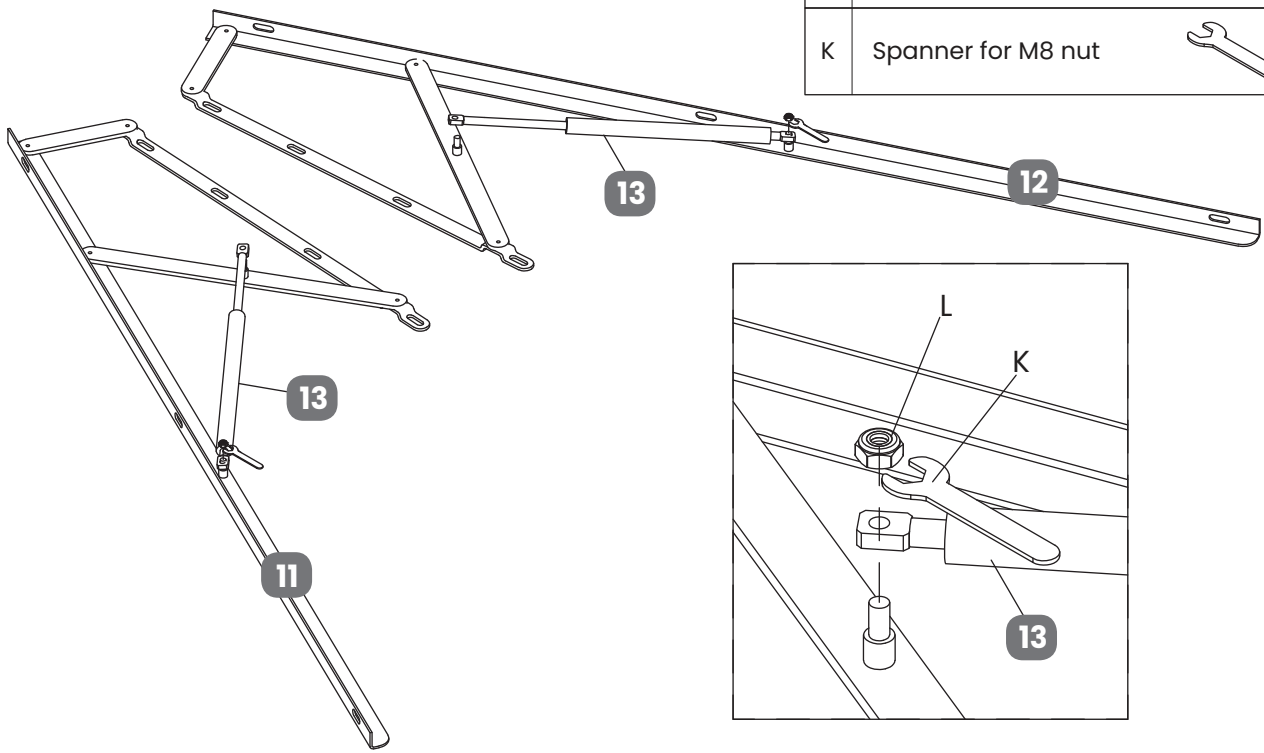


Step 6:

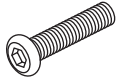
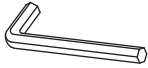

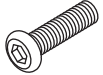

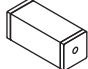


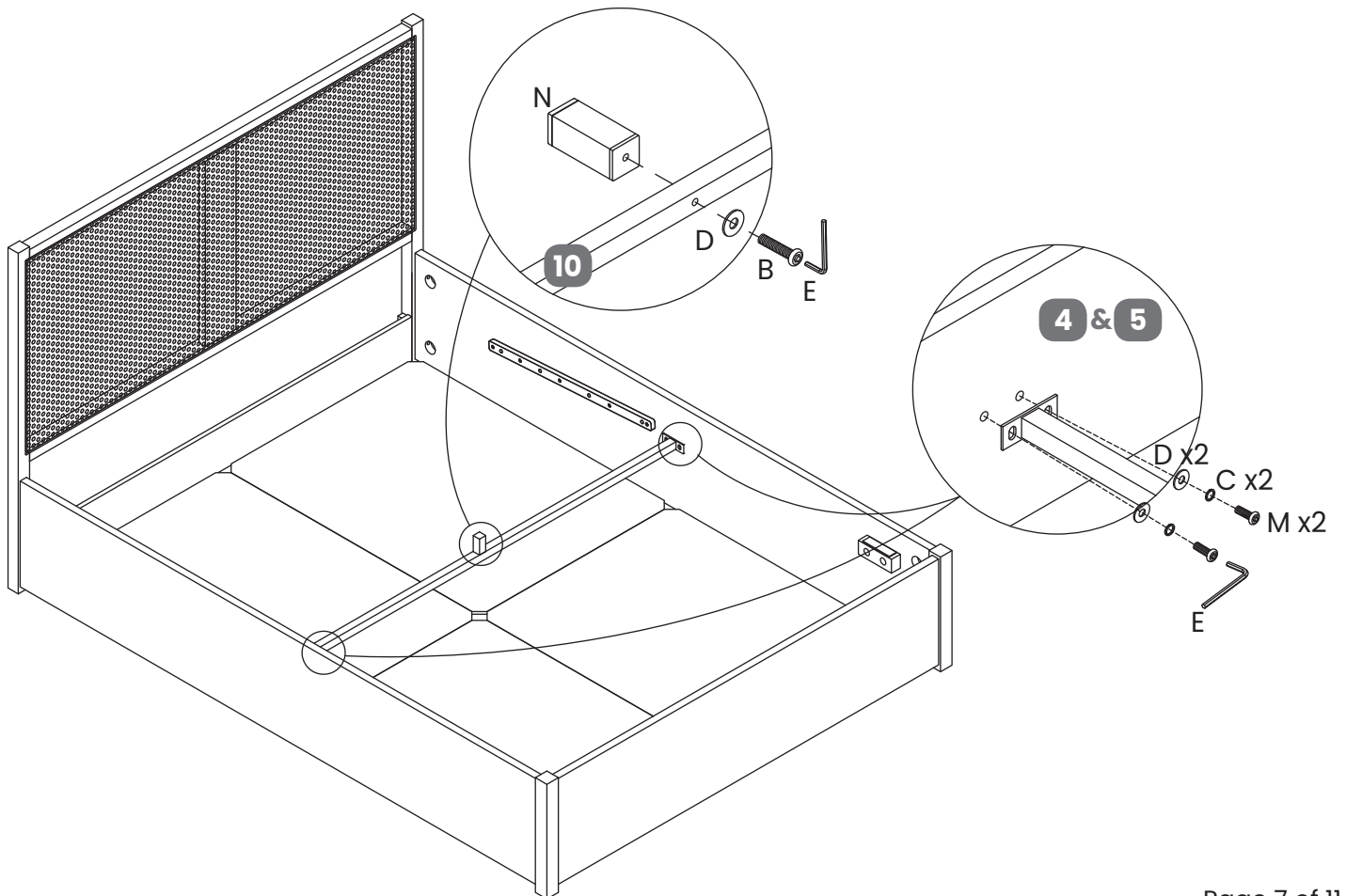
Step 7:

L	Flanged M8 lock-nuts		2 pcs
K	Spanner for M8 nut		1 pc



Step 8:

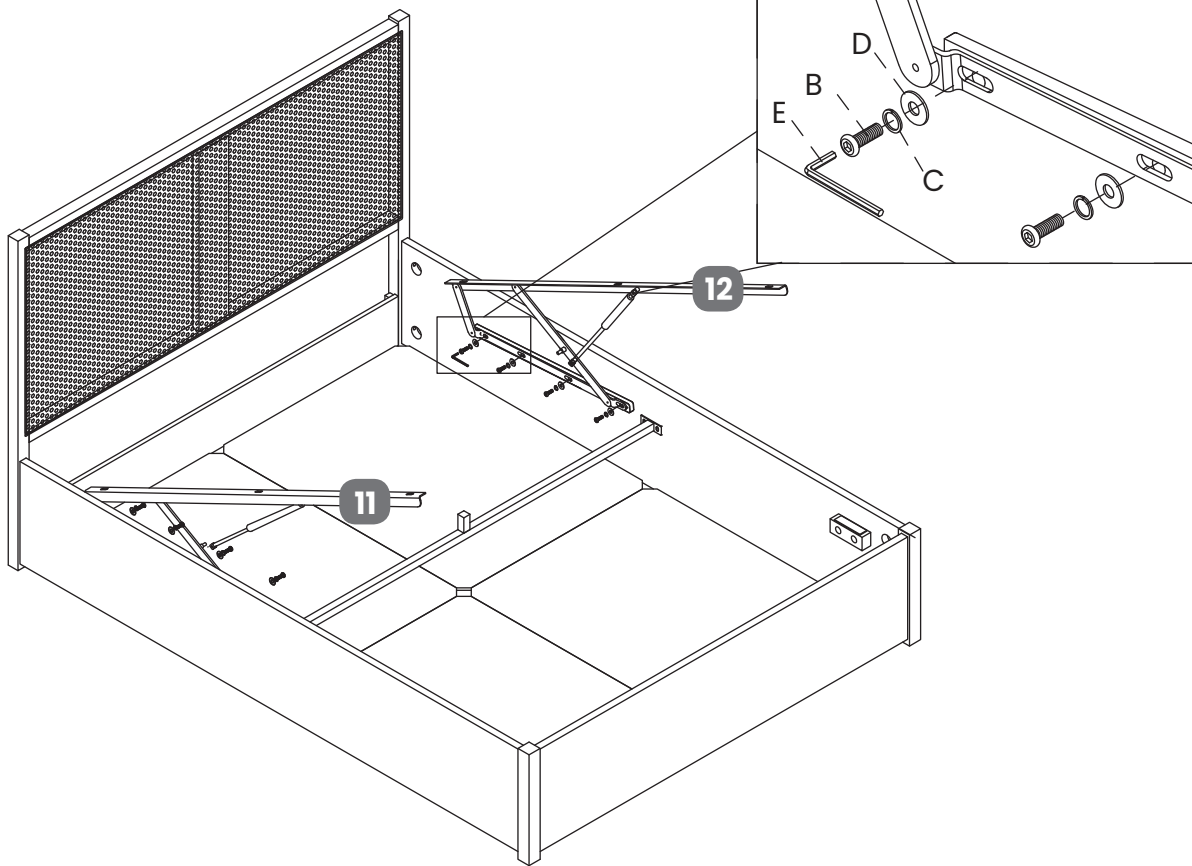
B	Bolts (M8x35mm)		1 pc	E	Allen Key		1 pc
C	Spring Washer		4 pcs	M	Bolt (M8x25mm)		4 pcs
D	Flat Washer		5 pcs	N	Support block for side rail cross bar		1 pc



Step 9:

B	Bolt (M8x35mm)		8 pcs
C	Spring Washer		8 pcs

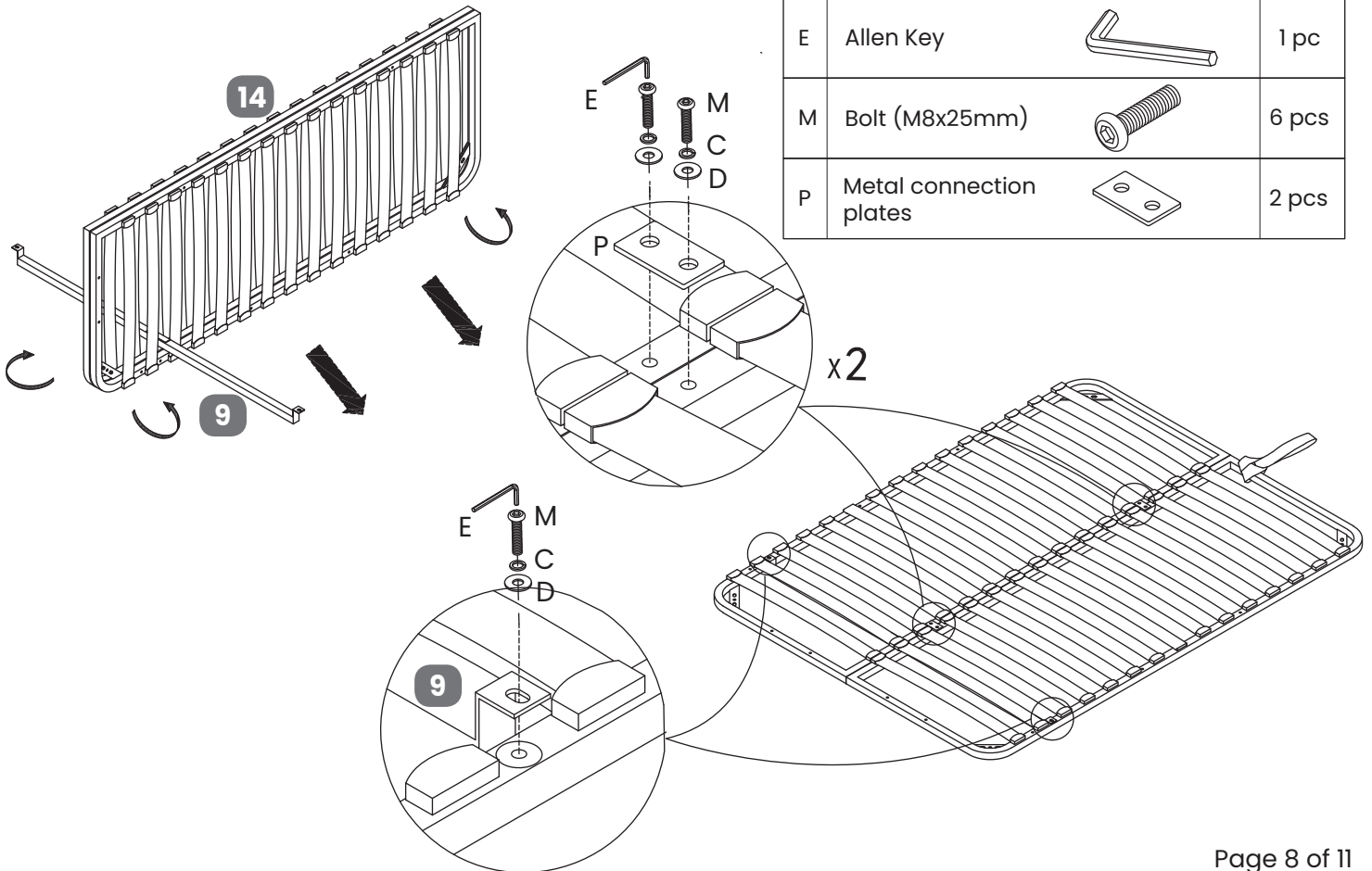
D	Flat Washer		8 pcs
E	Allen Key		1 pc



Step 10:

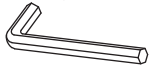



C	Spring Washer		6 pcs
---	---------------	--	-------

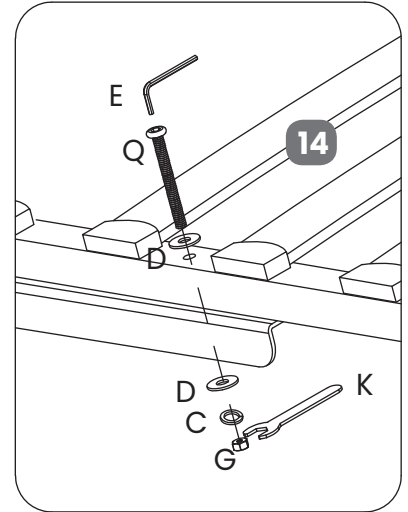
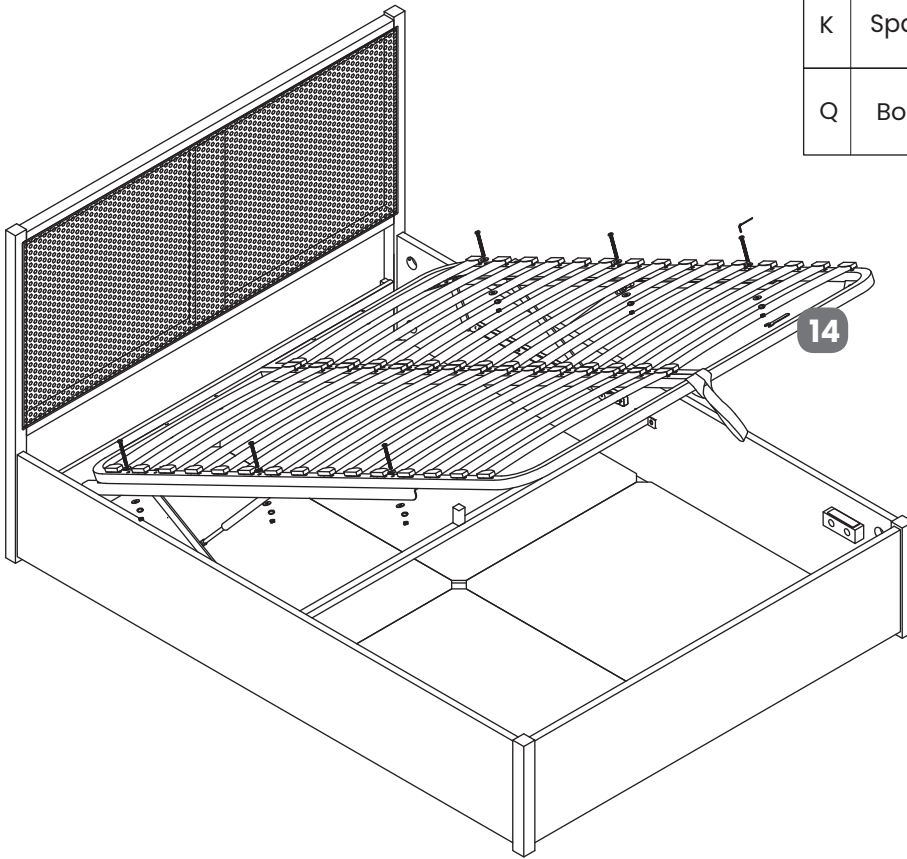
D	Flat Washer		6 pcs
E	Allen Key		1 pc
M	Bolt (M8x25mm)		6 pcs
P	Metal connection plates		2 pcs



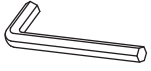

Step 11:

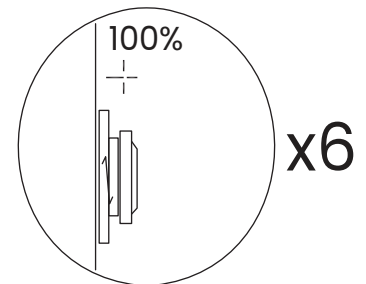
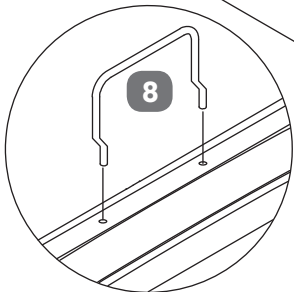
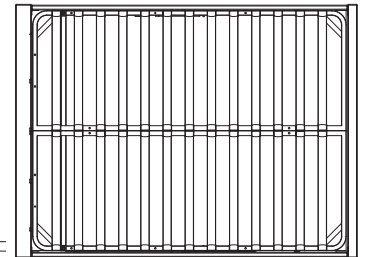
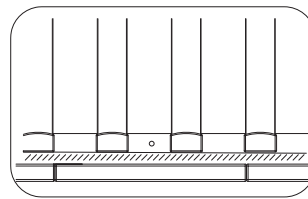
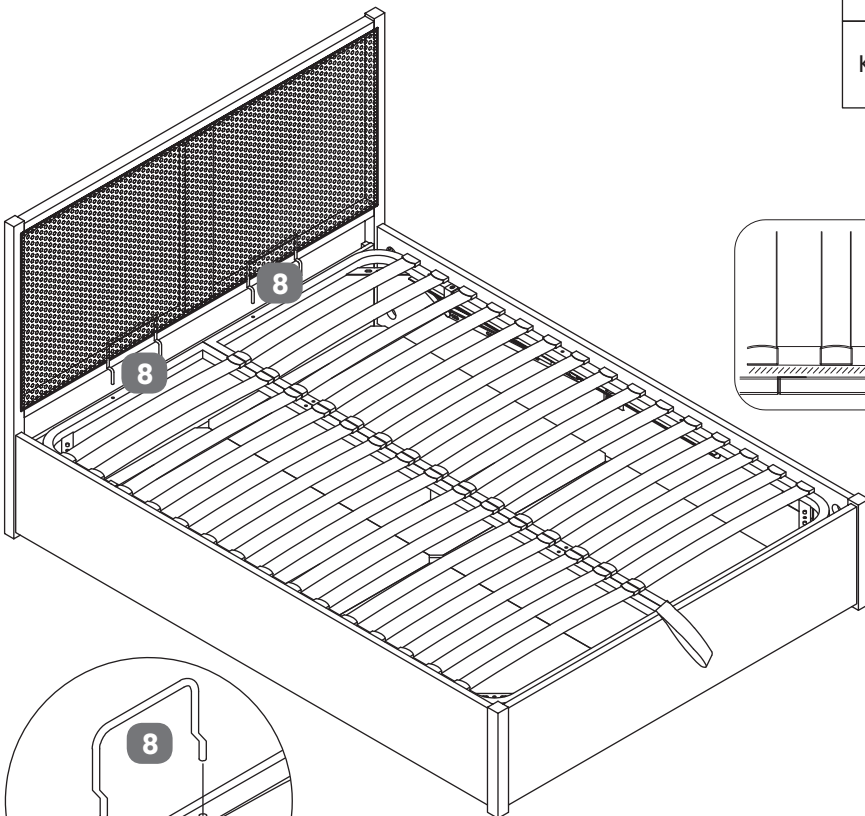
C	Spring Washer		6 pcs
D	Flat Washer		12 pcs

E	Allen Key		1 pc
G	Nuts for M8 stud		6 pcs
K	Spanner for M8 nut		1 pc
Q	Bolt (M8x50mm)		6 pcs





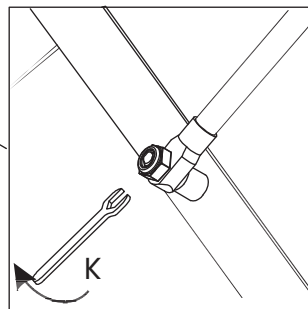
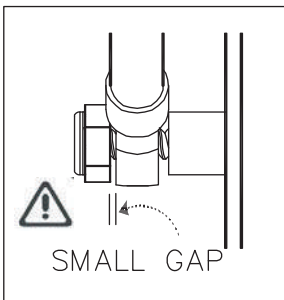
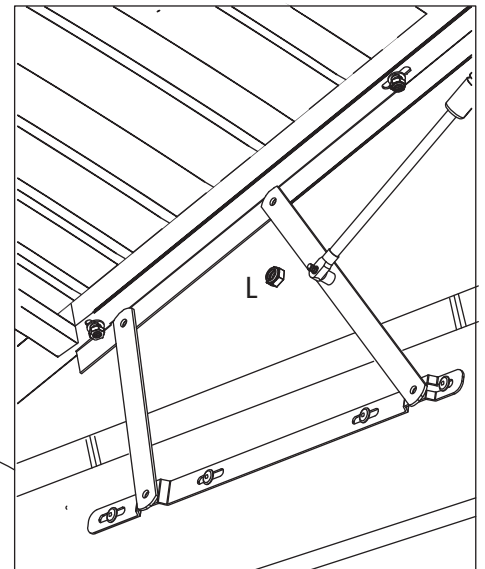
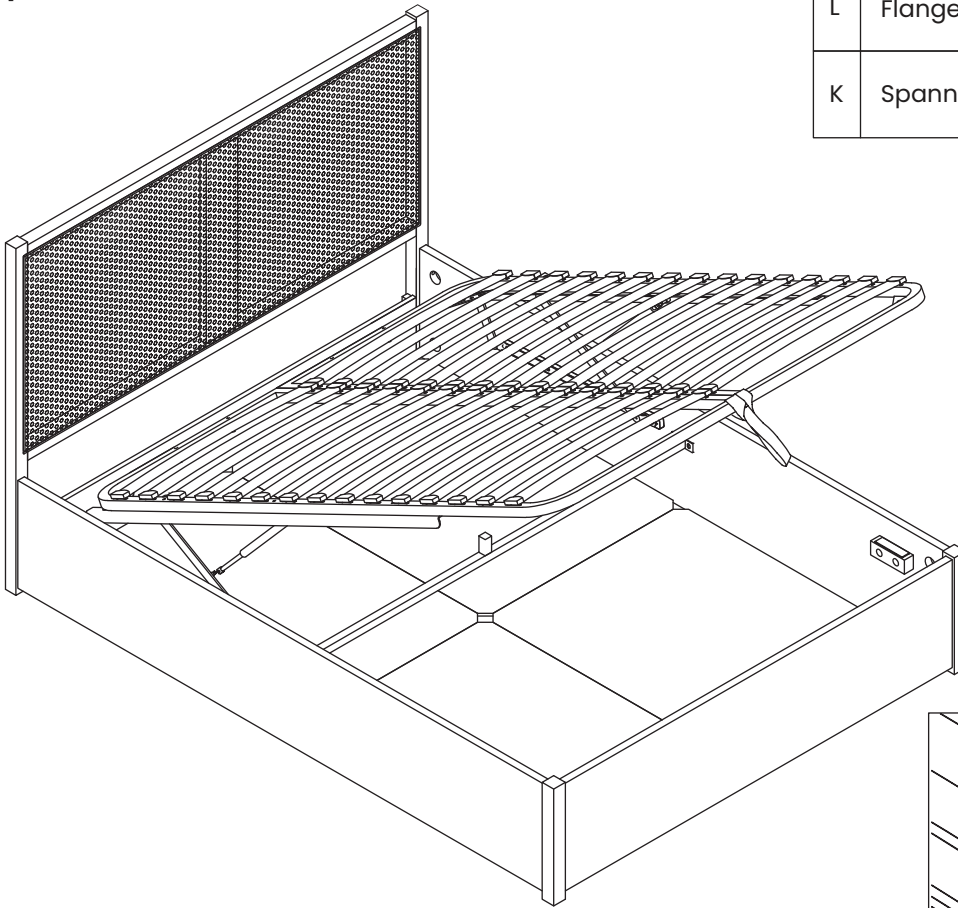
Step 12:

E	Allen Key		1 pc
K	Spanner for M8 nut		1 pc



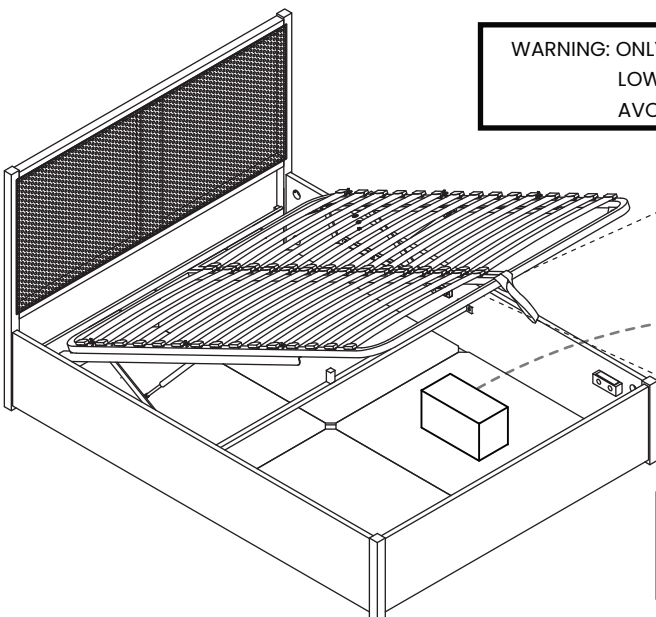
Step 11:

L	Flanged M8 lock-nuts		2 pcs
K	Spanner for M8 nut		1 pc



WARNING: ONLY USE THE HANDLE TO LIFT & LOWER THE BED FRAME TO AVOID TRAPPING FINGERS!

TO AVOID ACCIDENTS
TO ACCESS THE STORAGE AREA THE OTTOMAN FRAME **MUST BE FULLY OPENED** AND THEN **FULLY CLOSED** AFTERWARDS



Note: Be very careful what you store under the bed - the top of an item, like a suitcase or a box must not touch the slats or they may be damaged. Maximum storage height is 26cm.

SAFETY WARNING
PLEASE DO NOT ALLOW CHILDREN OR PETS INSIDE THE STORAGE AREA.

SAFETY WARNING
PLEASE BE CAREFUL WHEN LIFTING. ONLY LIFT WITH MATTRESS ON TOP. TO BE OPERATED BY ADULTS ONLY.

Technical Specifications

Overall Dimensions (LWH cm)

Double: 202 x 144 x 115.8

King: 212 x 159 x 115.8

Internal Dimensions (LWH cm)

Double: 193 x 137.5 x 26

King: 203 x 152.5 x 26

Distance between slats (cm)

Double: 7

King: 6.8

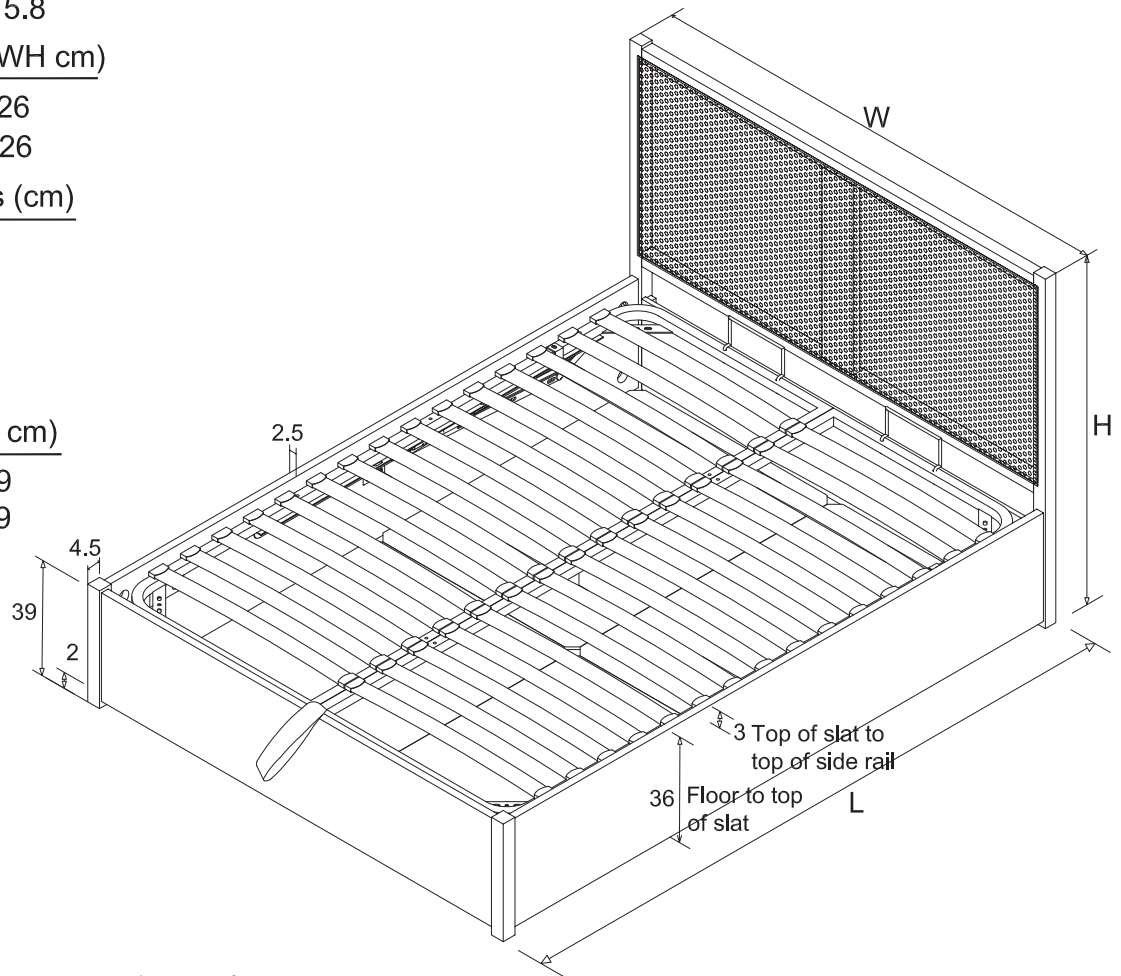
Ottoman Piston Rating

Double & King: 800n

Slat Dimensions (LWH cm)

Double: 66.9 x 5.3 x 0.9

King: 74.4 x 5.3 x 0.9



Please dispose of all packaging safely.

General Care & Maintenance

Wipe clean with a slightly damp cloth.

Avoid the use of all household cleaners and abrasives.

Periodically check all screw & fixings to ensure they are secure.

When moving your product, carefully lift into place. Never drag or push the pieces across the floor as this will cause damage to the joints and could result in failure to the product that will invalidate the warranty.

For more information on cleaning and product care visit:

<https://www.happybeds.co.uk/help-and-advice>

Notes

We've tried to make this product as easy to assemble as possible. In the unlikely event that you have problems putting it together or have damaged or missing pieces, please contact us by visiting:

<https://www.happybeds.co.uk/customer-service>

Happy
beds™