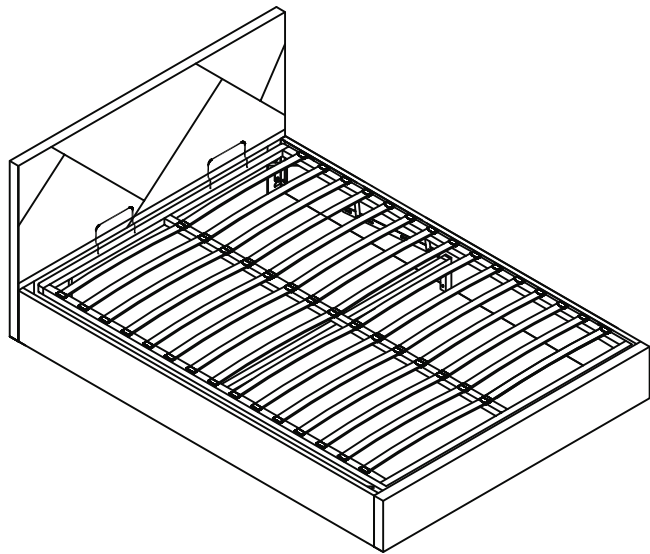
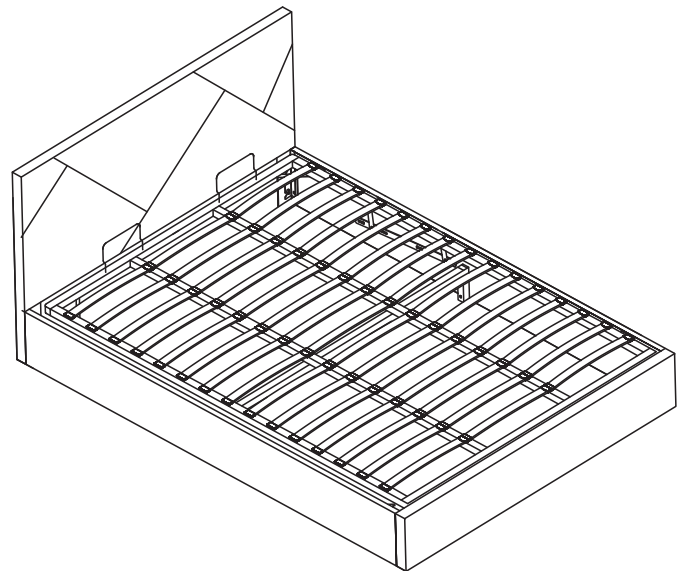


Double & King



Super King



Assembly Instructions

Important before assembly:

Please read these instructions carefully before assembling or using the product.

Please check the contents of each box before attempting to assemble this product. The instructions will have a checklist of parts and fittings.

Assemble the product as close to its intended final location/room as possible.

Health & Safety:

This product or some parts of this product will be heavy. Please use an assistant when lifting.

Please keep small parts out of reach of children.

Always use on a level, even surface.

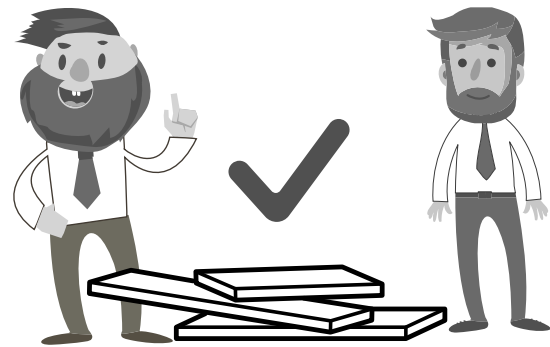
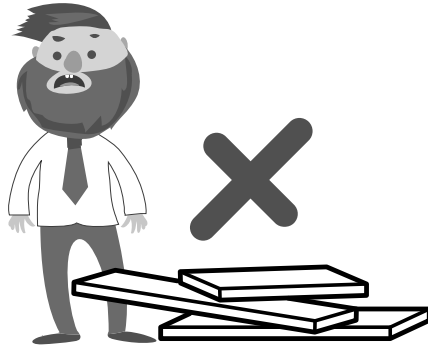
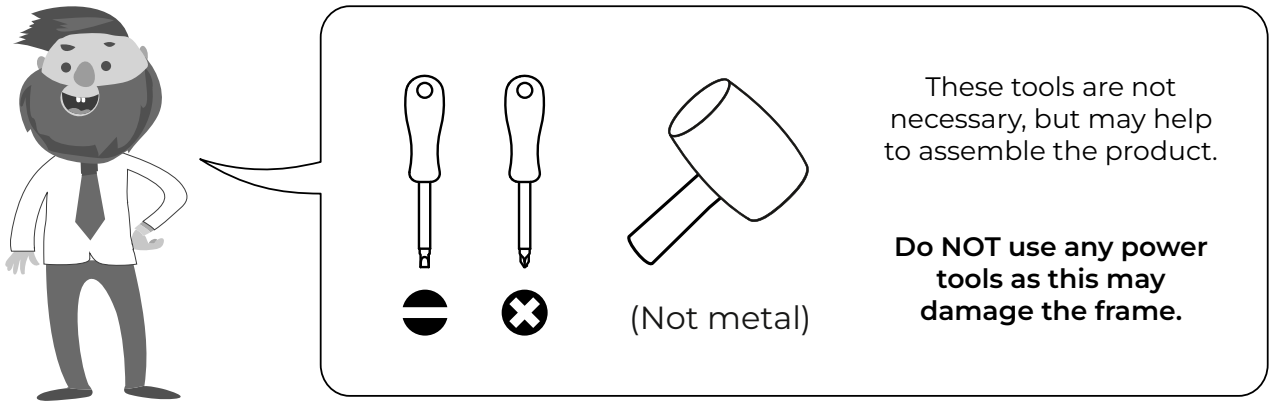
DO NOT jump on the product or any of its parts.

DO NOT use this product if any parts are missing, damaged or worn.

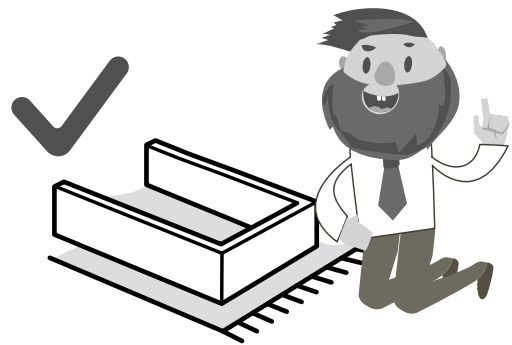
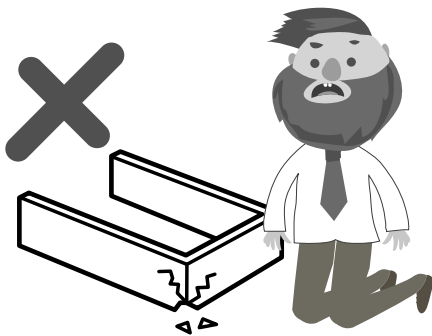
DO NOT use this product unless all fixings are secured.

Further instructions are on the following pages.

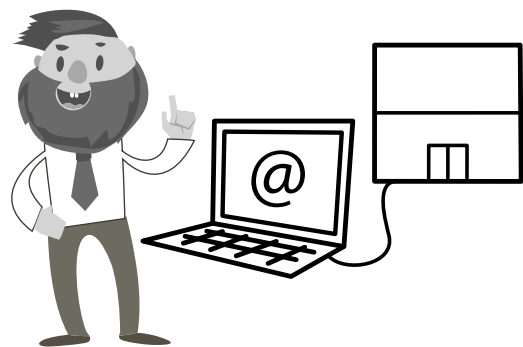
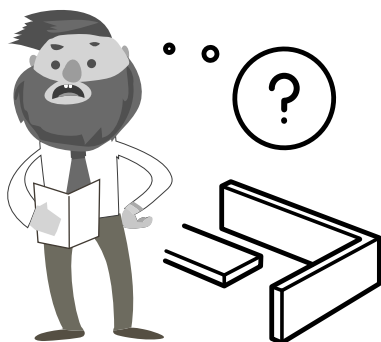
Please keep these instructions for future reference.



This product or some parts of this product will be heavy. Please use an assistant when lifting.



Never drag or push the pieces across a hard or stone floor as this will cause damage to the joints. Use a carpet or a rug for extra care.



If you have problems assembling or have damaged or missing pieces, please contact our customer services (details at the back of these instructions)



Important for Ottoman and other gas lift beds

Note:

The bed base is in the upright position when first assembled as the gas lifts are fully extended during shipment for safety. After assembly a firm downward push will be required to overcome any resistance in the gas lifts as these may initially stick. We suggest placing a mattress on top of the bed base to aide this and also test the operation of your new lift up bed by lifting and pushing down the bed base a few times to allow the lifting mechanism to bed in.

The lift mechanism provides assistance with the lift of the mattress fitted to the base. It does not lift the mattress for you. The system has been designed to effectively lift the base system fitted with a variety of mattress weights and combinations of depths. Depending on the combination of the mattress weight and depth determines the degree of assistance provided by the mechanism.

Following the installation of the mechanism lift, pull the base up and down a few times to free off the system. The gas cylinders fitted to the system may be stiff when first used or if the system has not been operated for a period of time.

Use the strap handles to lift up the mattress base using two hands. Pull the mattress base down using two hands equally spaced from the centre of the mattress base. DO NOT pull down on one side of the base only as this is likely to damage the base system with potential failure of the mattress base system and lift mechanism.

Do NOT operate the lift up mechanism without the mattress placed on the base.

Caution:

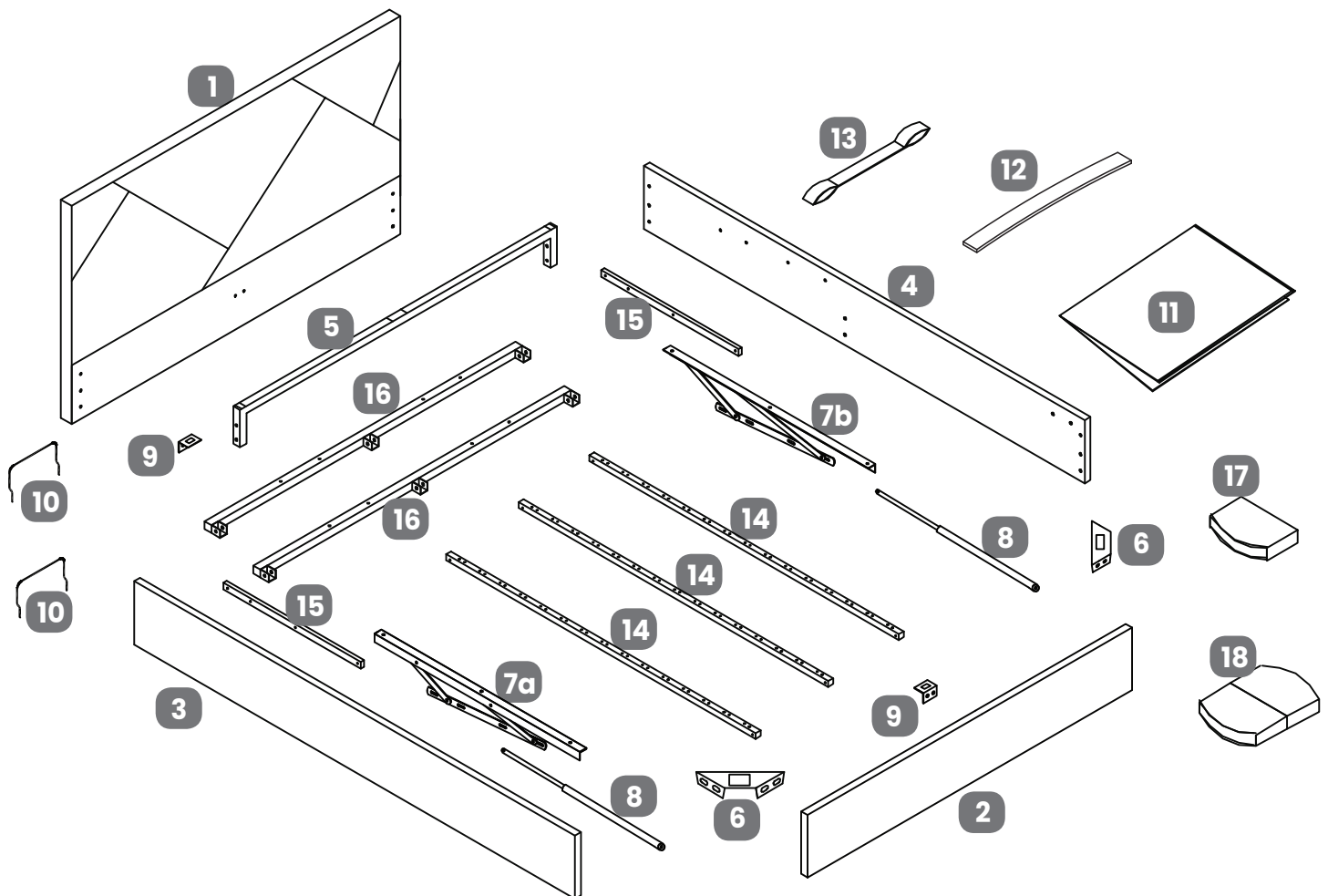
Do NOT allow children to operate the lift mechanism.
Do NOT allow children near the lift base when operating the mechanism.
Do NOT allow children in the area of the internal storage base.
Keep hands clear of the mechanism when operating the base system.
Do NOT stand inside the bed or the internal storage base.
Do NOT overload the internal storage base.

Happy beds™

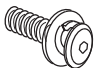

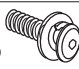
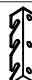




www.happybeds.co.uk

No	Part List	Qty	Box
1	Headboard	1 pc	1
2	Footboard	1 pc	1
3	Side rail - LH	1 pc	2
4	Side rail - RH	1 pc	2
5	"U" shaped cross bar	1 pc	2
6	Angled corner brackets	2 pcs	2
7a	Gas-lift mechanism	1 pc	2
7b	Gas-lift mechanism	1 pc	2
8	Gas-lift pistons	2 pcs	2
9	'L' shape bracket	Double & King	2 pcs
		Super King	4 pcs




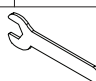

No	Part List	Qty	Box
10	Mattress stoppers	2 pcs	2
11	Fabric base cover	1 pc	1
12	Bentwood slats	Double	28 pcs
		King	30 pcs
		Super King	45 pcs
13	Fabric hand strap	1 pc	2
14	Metal slat frame side rails	Double & King	3 pcs
		Super King	4 pcs
15	Spacer rails for mechanism	2 pcs	2
16	Metal slat frame end rails	2 pcs	2
17	Single plastic caps	Double	28 pcs
		King	30 pcs
		Super King	30 pcs
18	Double plastic caps	Double	14 pcs
		King	15 pcs
		Super King	30 pcs



HARDWARE NEEDED FOR BED ASSEMBLY (PACK A)

No	Hardware List	Qty	Box	No	Hardware List	Qty	Box
A	Bolt (M8x20mm) for fitting hook bracket (G&H) to side rail 	12 pcs	2	G	Hook bracket 	2 pcs	2
B	Bolt (M6x20mm) for fitting bracket (9) to headboard and footboard 	Double & King	12 pcs	H	Hook bracket 	2 pcs	2
		Super King	16 pcs				
C	Bolt (M6x45mm) for fitting 'U' shape cross bar to side rails 	4 pcs	2	I	Bolt (M8x35mm) for fitting hook bracket (G&H) to headboard and footboard 	12 pcs	2
D	Allen key for M6 bolts 	1 pc	2				
E	Allen key for M8 bolts 	1 pc	2				

HARDWARE NEEDED FOR SLAT FRAME ASSEMBLY & FITTING (PACK B)

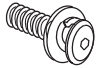

No	Hardware List	Qty	Box	No	Hardware List	Qty	Box
I	Bolt (M8x35mm) for fitting lift mechanism (7a&7b) 	8 pcs	2	N	Flanged M8 lock-nuts 	Double & King	16 pcs
K	Spring washer for M8 bolts 	Double & King	12 pcs			Super King	18 pcs
		Super King	14 pcs	O	Spanner for flanged M8 lock-nuts 	1 pc	2
J	Flat washer for M8 bolts 	Double & King	12 pcs				
		Super King	14 pcs	Super King	14 pcs	2	

IMPORTANT OTTOMAN SAFETY WARNINGS

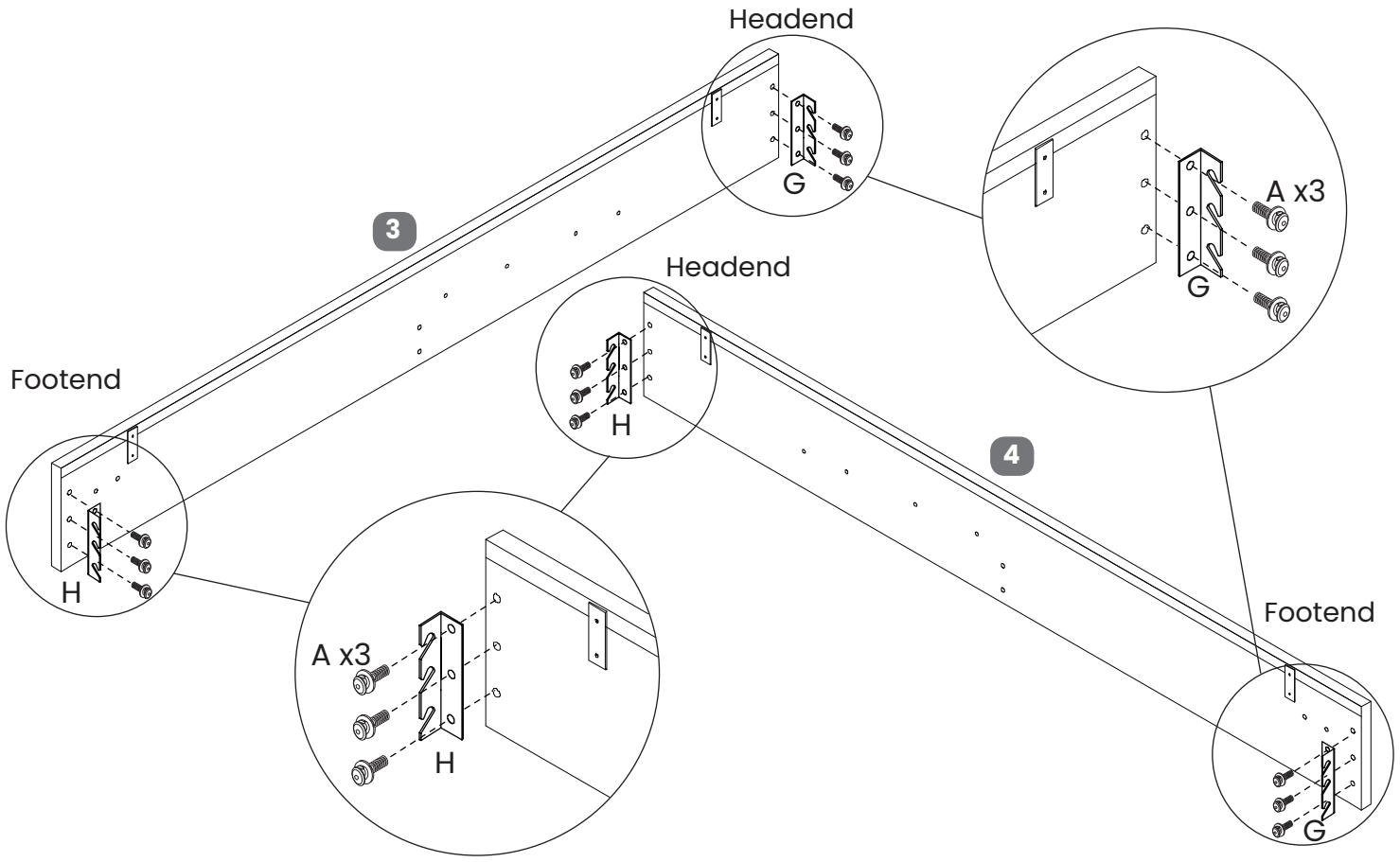
- IMPORTANT – READ CAREFULLY – RETAIN FOR FUTURE REFERENCE
- You must ensure that the mattress is on the bed frame before operating the lift mechanism – Failure to do so could result in injury.
- Keep hands clear of the mechanism when opening or closing the ottoman.
- Beware of entrapment – Never reach in through the mechanism to access the storage area.
- Always ensure that the ottoman is FULLY opened before accessing the storage area.
- Do not exceed the maximum weight as specified in the table below:

Bed	Bed Size	Min Weight (kg)	Max Weight (kg)
Chicago Ottoman bed	Double	20	50
	King	25	55
	Super King	25	60



Step 1:

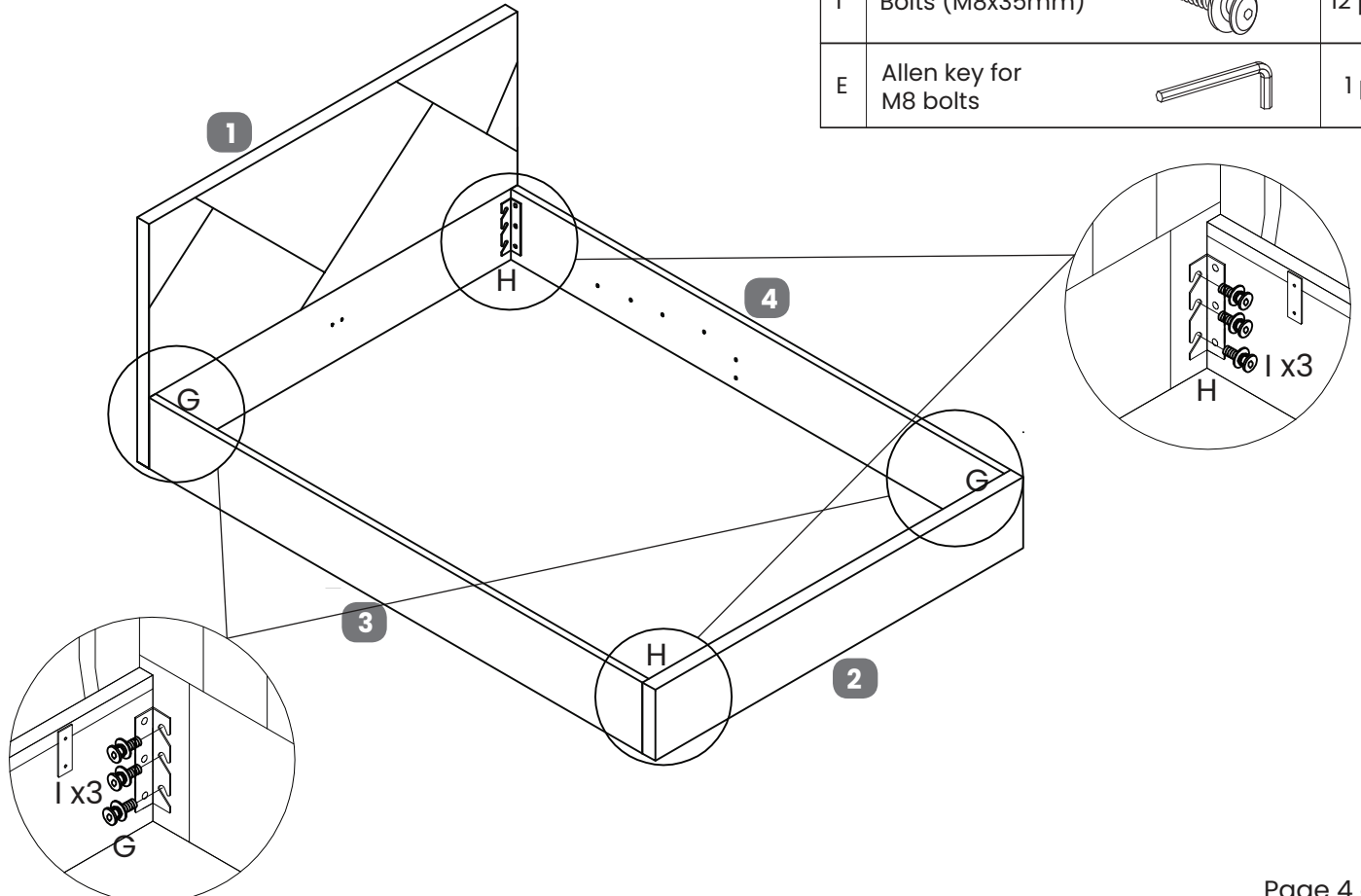
A	Bolts (M8x20mm)		12 pcs
E	Allen key for M8 bolts		1 pc

G	Hook bracket		2 pcs
H	Hook bracket		2 pcs

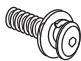



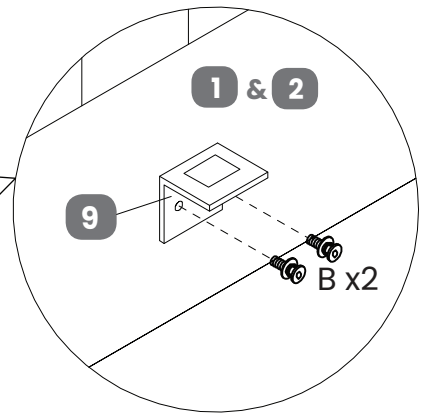
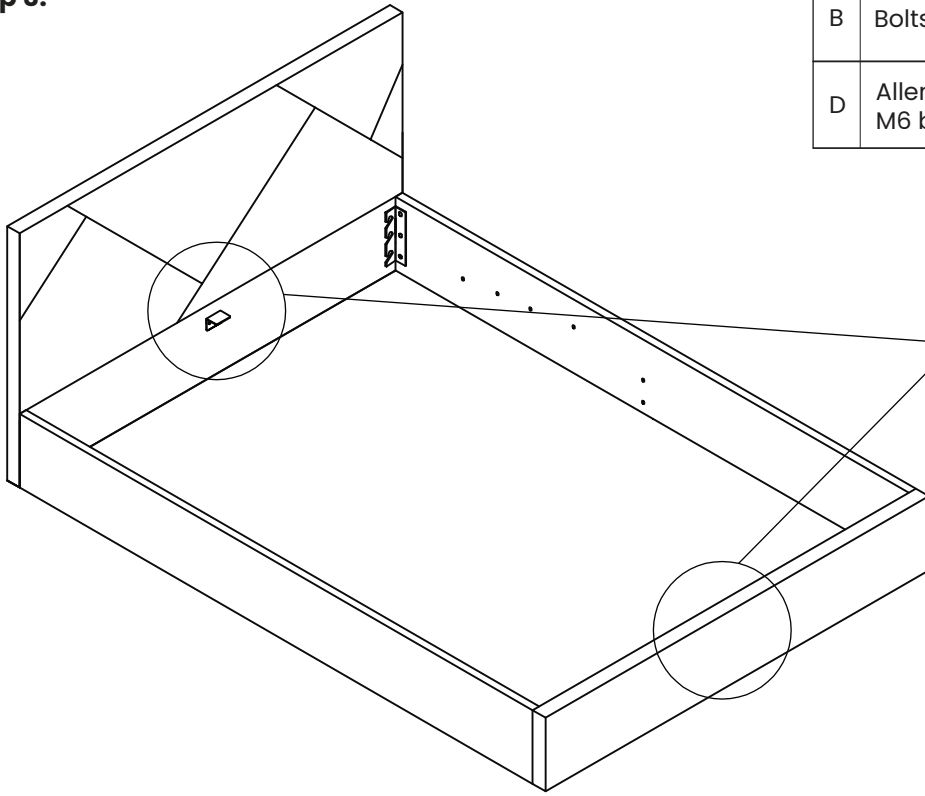
Step 2:

I	Bolts (M8x35mm)		12 pcs
E	Allen key for M8 bolts		1 pc

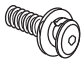
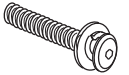



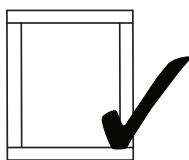
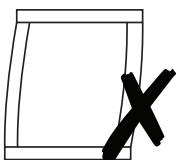
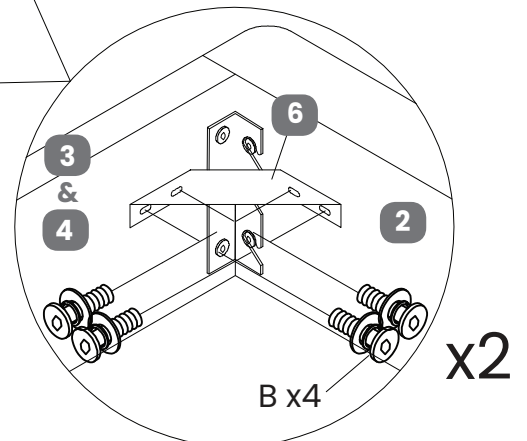
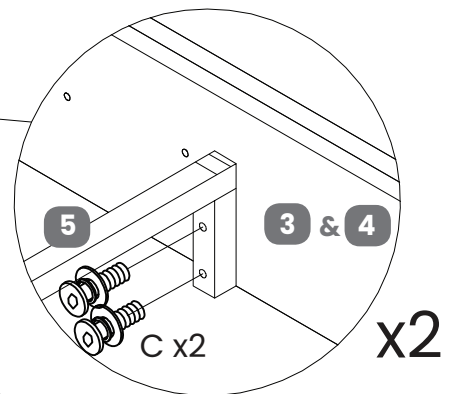
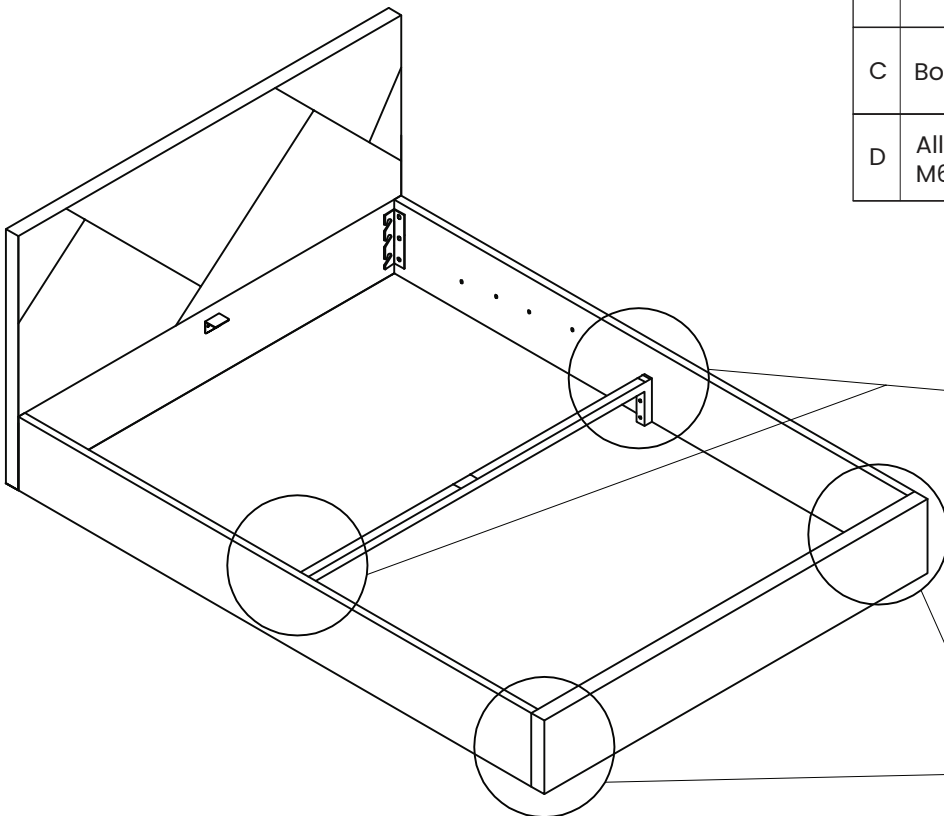
Step 3:

B	Bolts (M6x20mm)		D & K4 pcs
			SK 8 pcs
D	Allen key for M6 bolts		1 pc



Step 4:

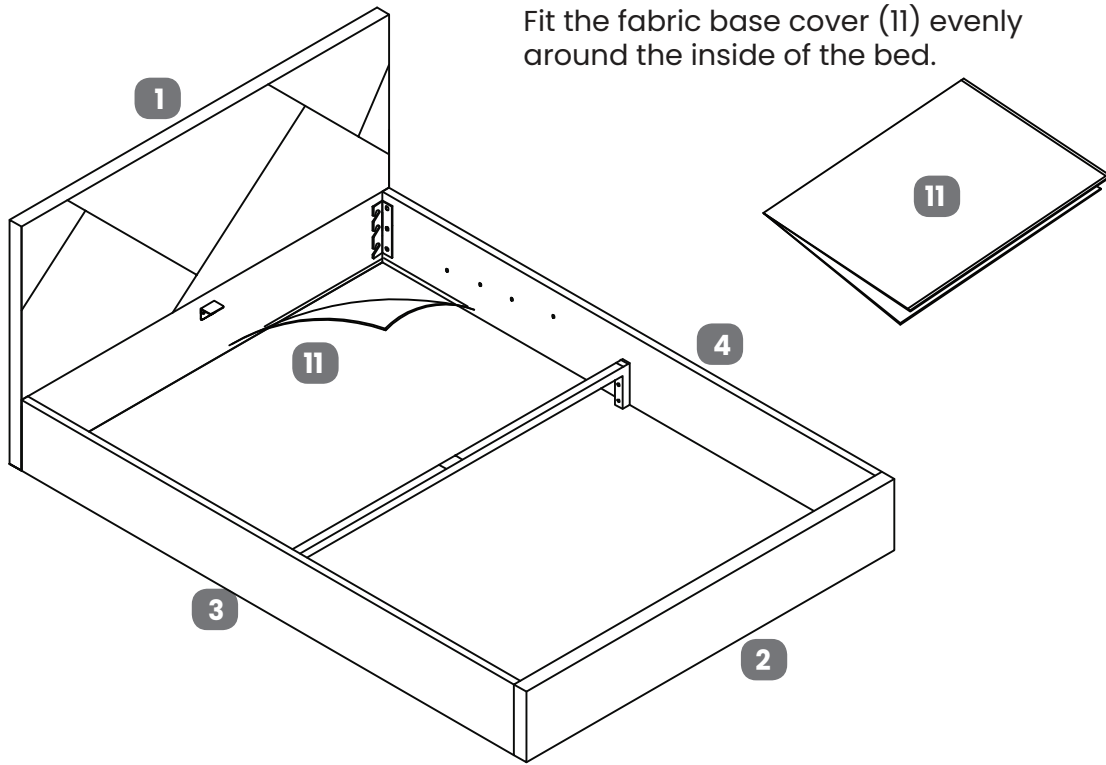
B	Bolts (M6x20mm)		8 pcs
C	Bolts (M6x45mm)		4 pcs
D	Allen key for M6 bolts		1 pc





Make certain the bed is squared up as shown in the diagram then tighten all bed assembly bolts 100%.

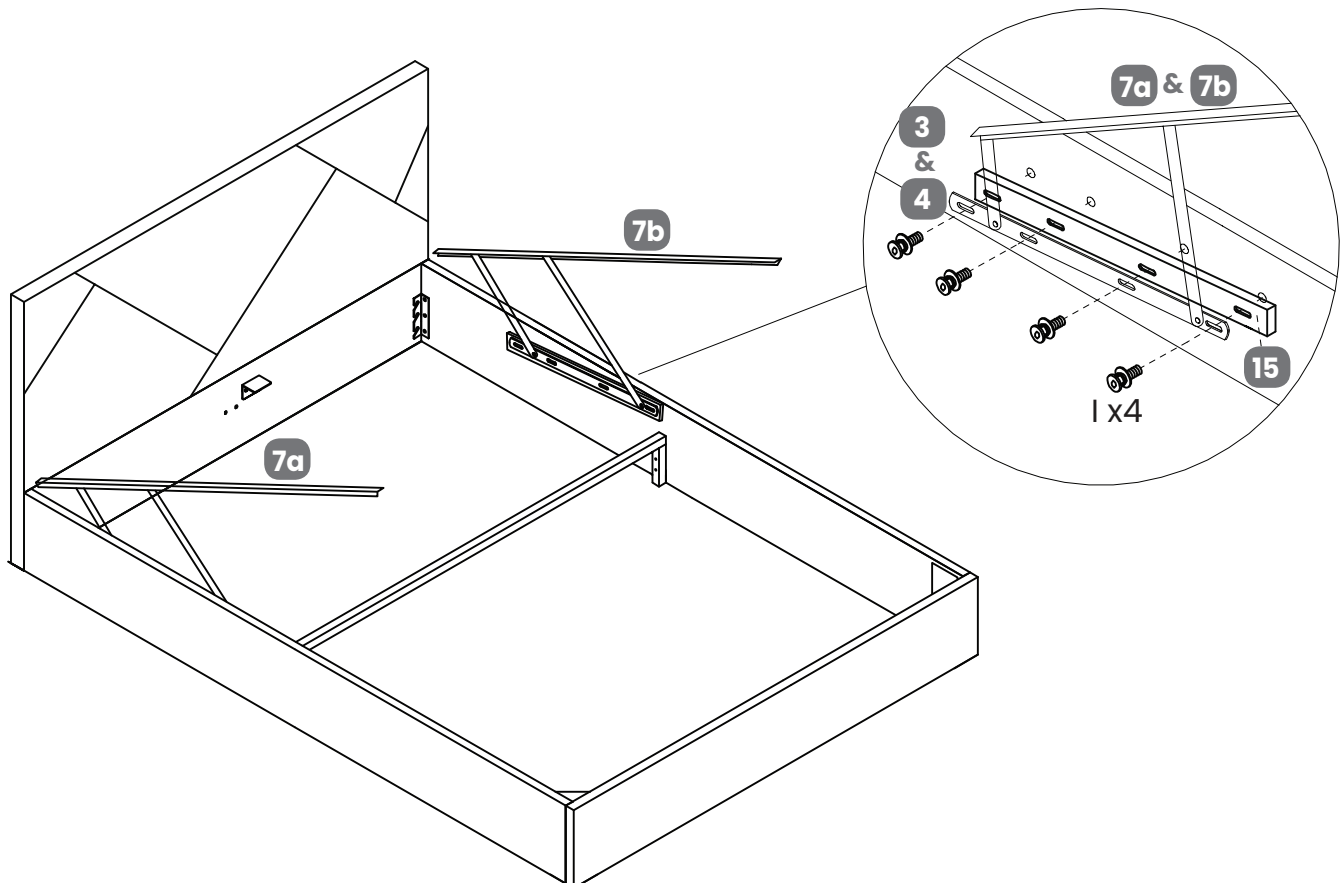
Step 5:

Fit the fabric base cover (11) evenly around the inside of the bed.






Step 6:



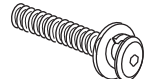
I	Bolts (M8x35mm)		8 pcs
E	Allen key for M8 bolts		1 pc



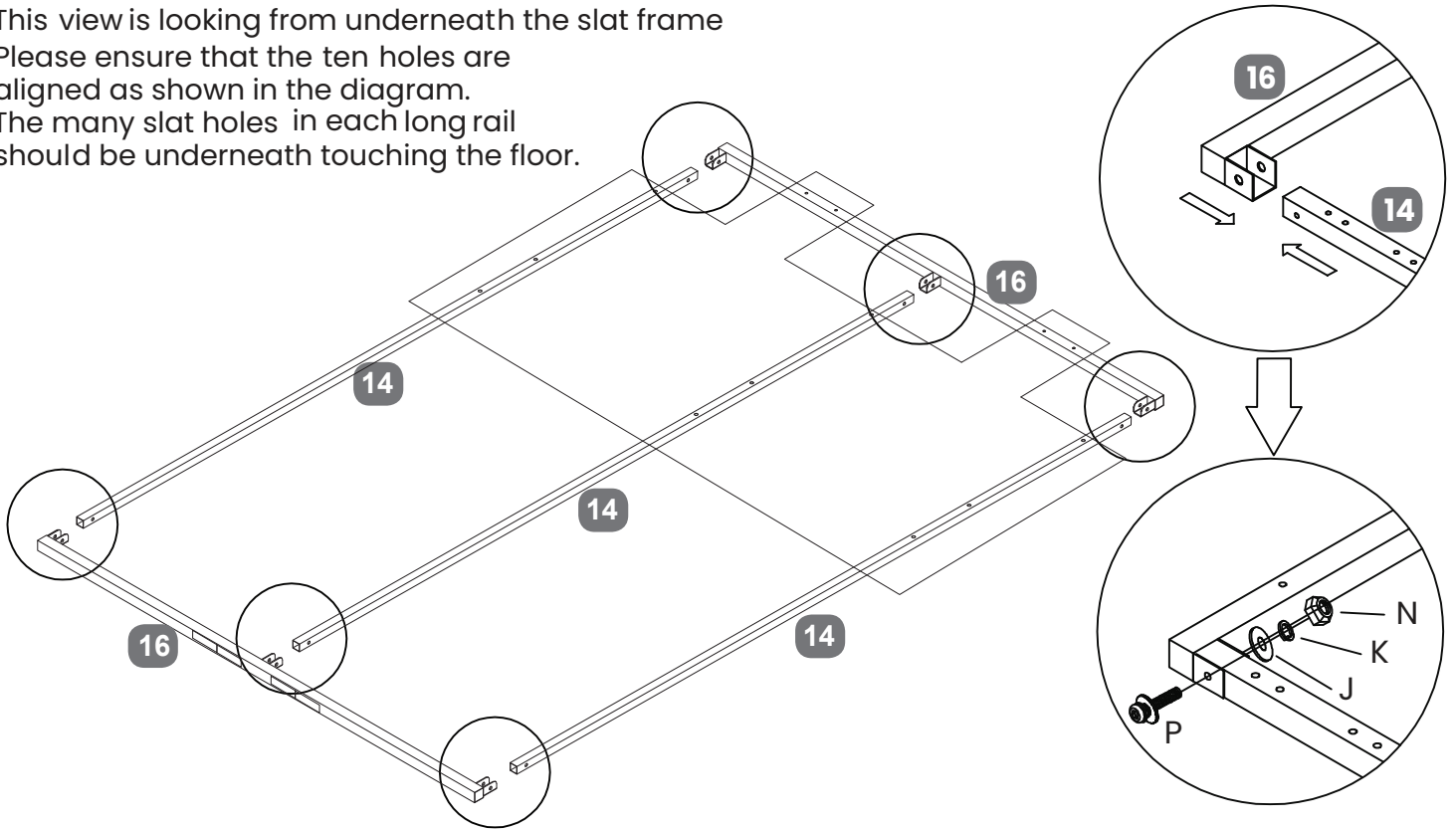
Step 7a:

For Double and King Size

K	Spring Washer for M8 bolts		6 pcs
J	Flat Washer for M8 bolts		6 pcs
E	Allen Key for M8 bolts		1 pc

N	Flanged M8 lock-nuts for gas-lift piston		6 pcs
O	Spanner for flanged M8 lock-nuts		1 pc
P	Bolts (M8x50mm)		6 pcs

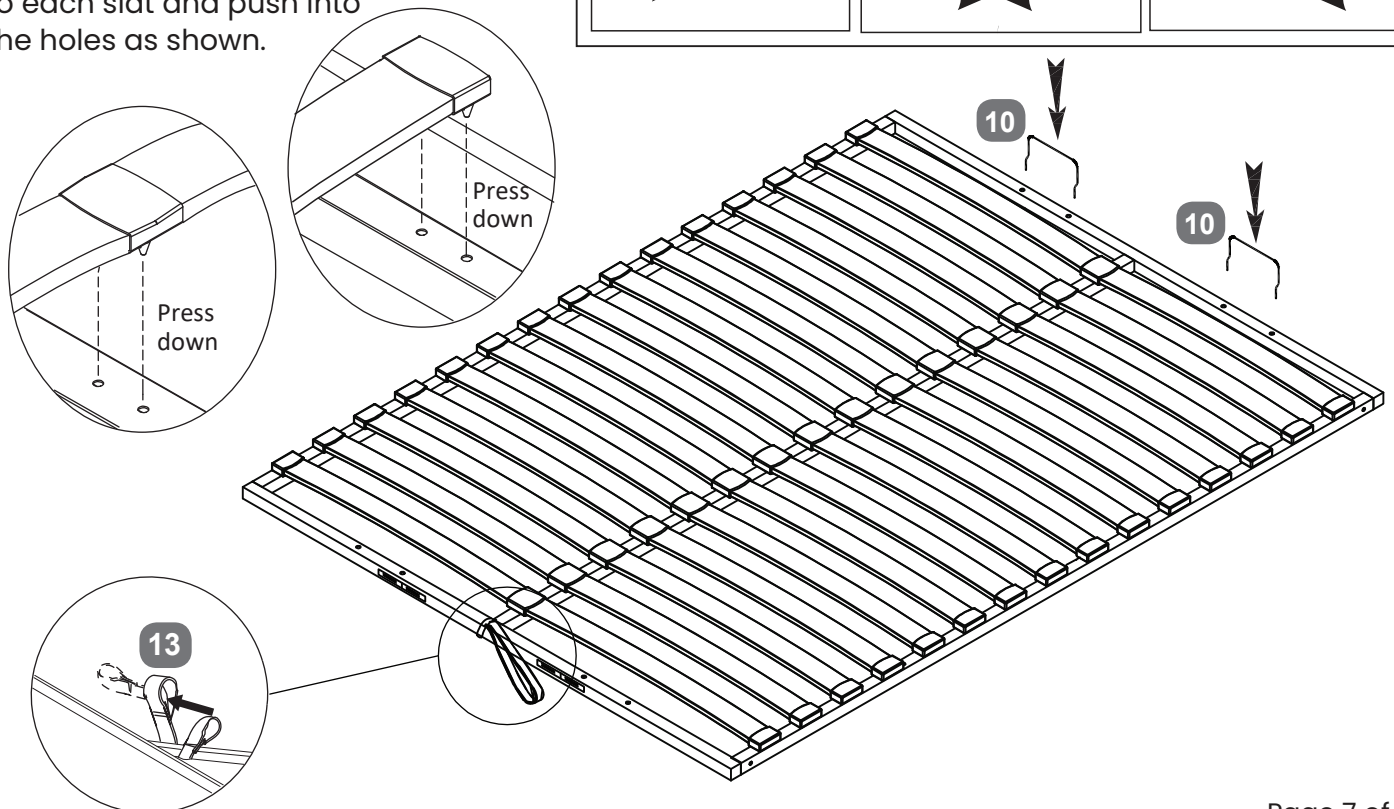
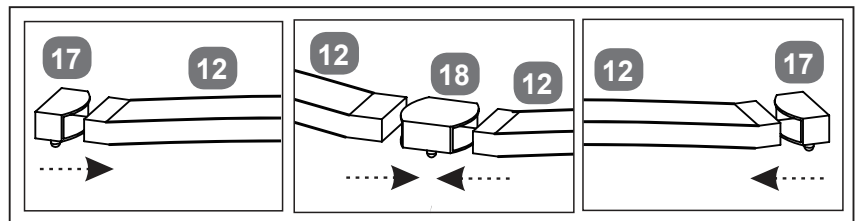
This view is looking from underneath the slat frame
Please ensure that the ten holes are aligned as shown in the diagram.
The many slat holes in each long rail should be underneath touching the floor.



Step 8a:




For Double and King Size



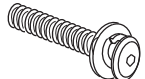
After assembling the frame, please turn it over, fit caps to each slat and push into the holes as shown.



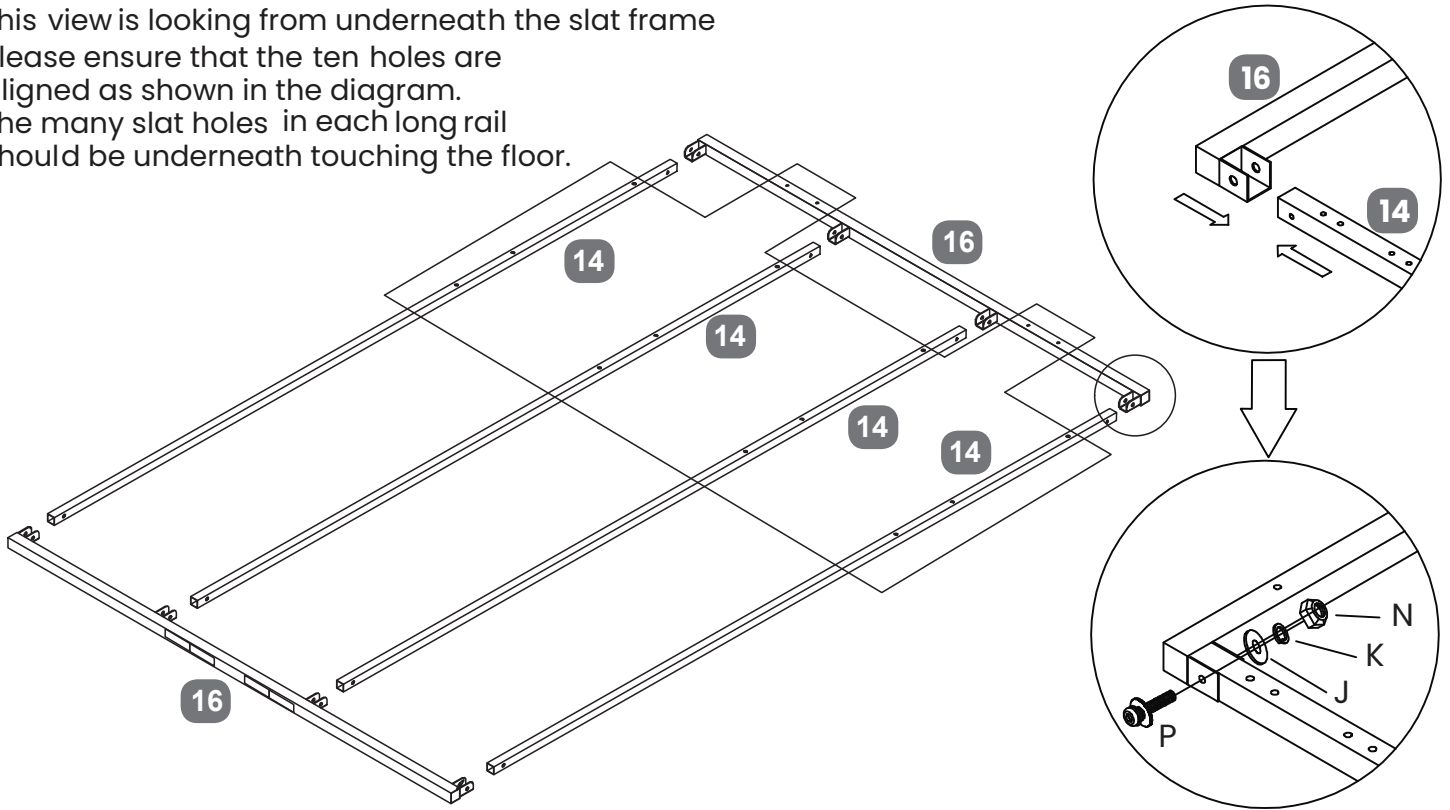
Step 7b:

For Super King Size

K	Spring Washer for M8 bolts		8 pcs
J	Flat Washer for M8 bolts		8 pcs
E	Allen Key for M8 bolts		1 pc

N	Flanged M8 lock-nuts for gas-lift piston		8 pcs
O	Spanner for flanged M8 lock-nuts		1 pc
P	Bolts (M8x50mm)		8 pcs

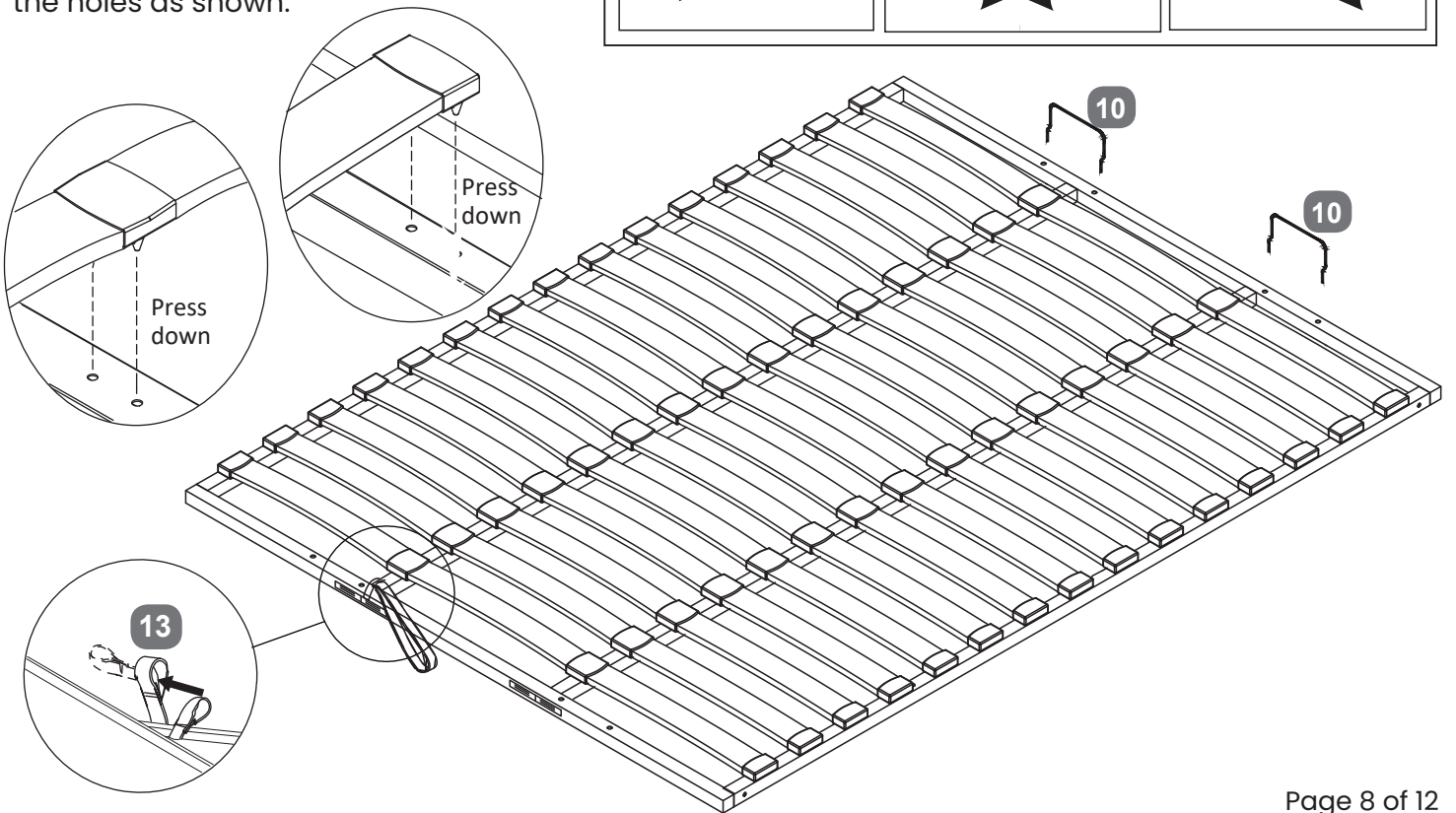
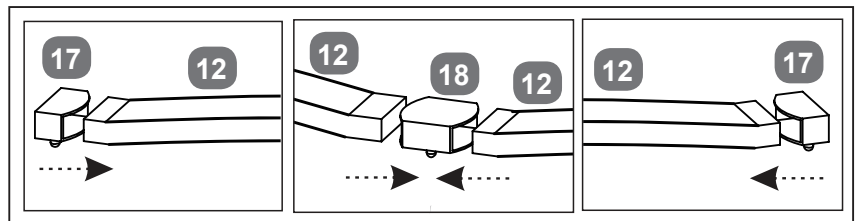
This view is looking from underneath the slat frame
Please ensure that the ten holes are aligned as shown in the diagram.
The many slat holes in each long rail should be underneath touching the floor.



Step 8b:

For Super King Size

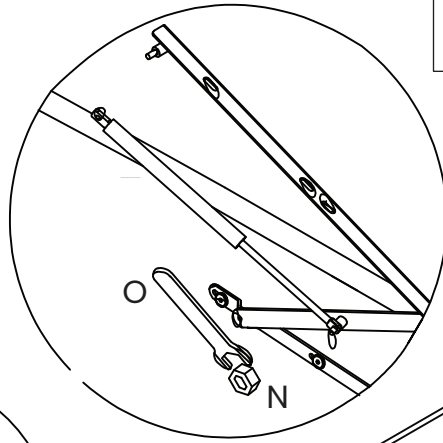
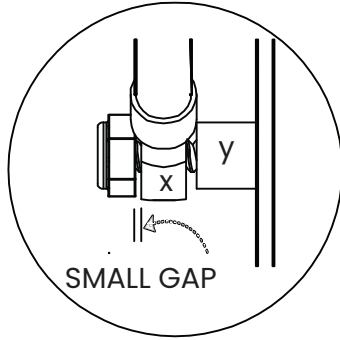
After assembling the frame, please turn it over, fit caps to each slat and push into the holes as shown.



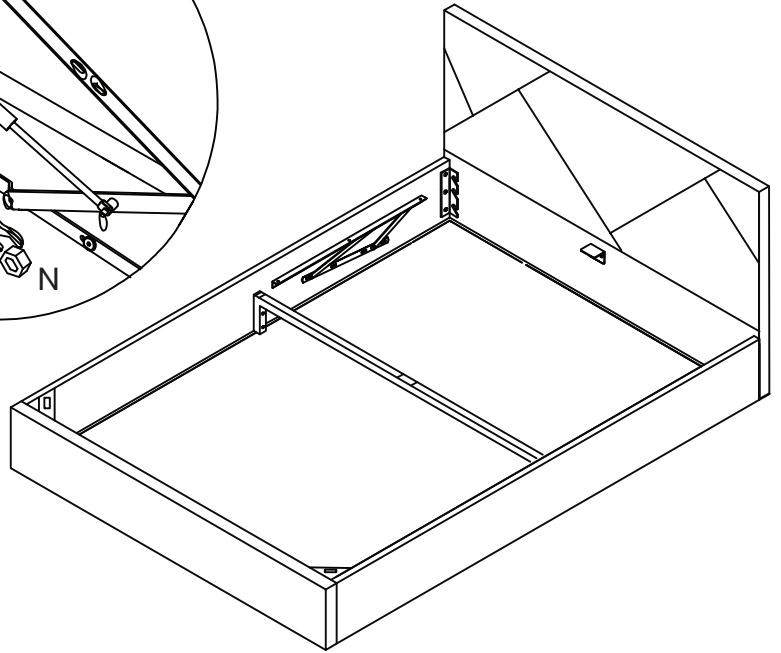
Step 9:

Slide gas-lift piston stem (x) onto the axle (y) then fit the flange lock-nut (N). Tighten nut with spanner (O) - do not over-tighten




A small gap must be left so stem can move freely - this is important, see sketch below.


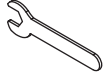



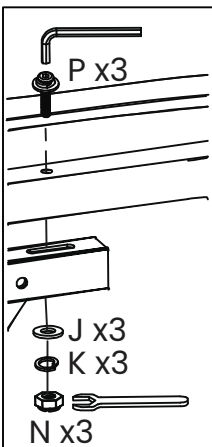
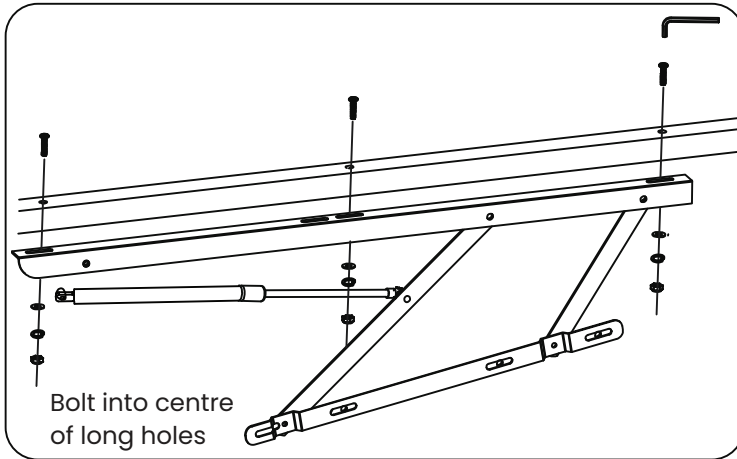
N	Flanged M8 lock-nuts for gas-lift piston		2 pcs
O	Spanner for flanged M8 lock-nuts		1 pc



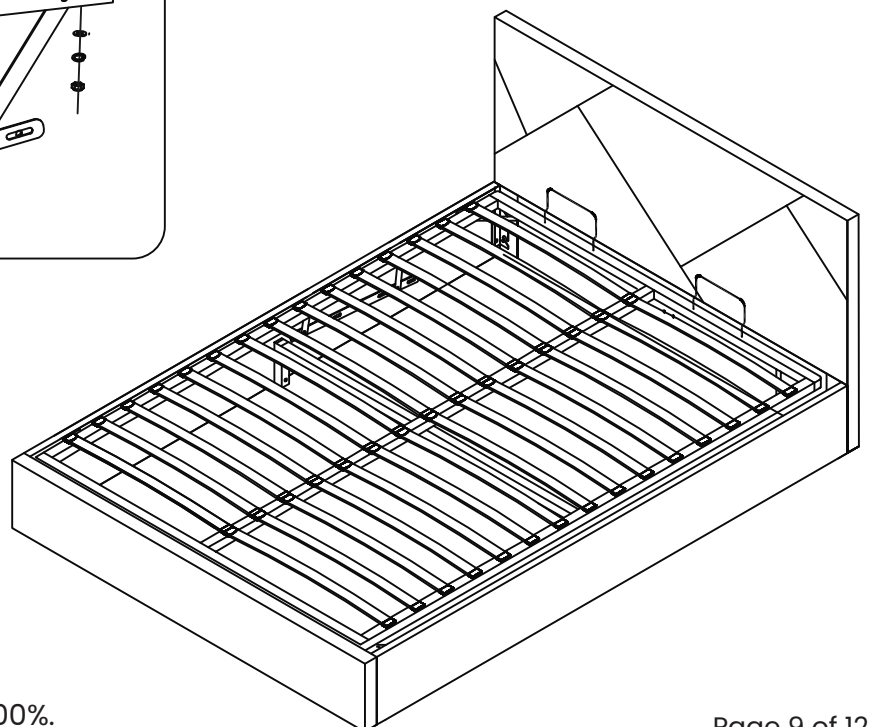
Step 10:

K	Spring Washer for M8 bolts		6 pcs
J	Flat Washer for M8 bolts		6 pcs
E	Allen Key for M8 bolts		1 pc



N	Flanged M8 lock-nuts for gas-lift piston		6 pcs
O	Spanner for flanged M8 lock-nuts		1 pc
P	Bolts (M8x50mm)		6 pcs

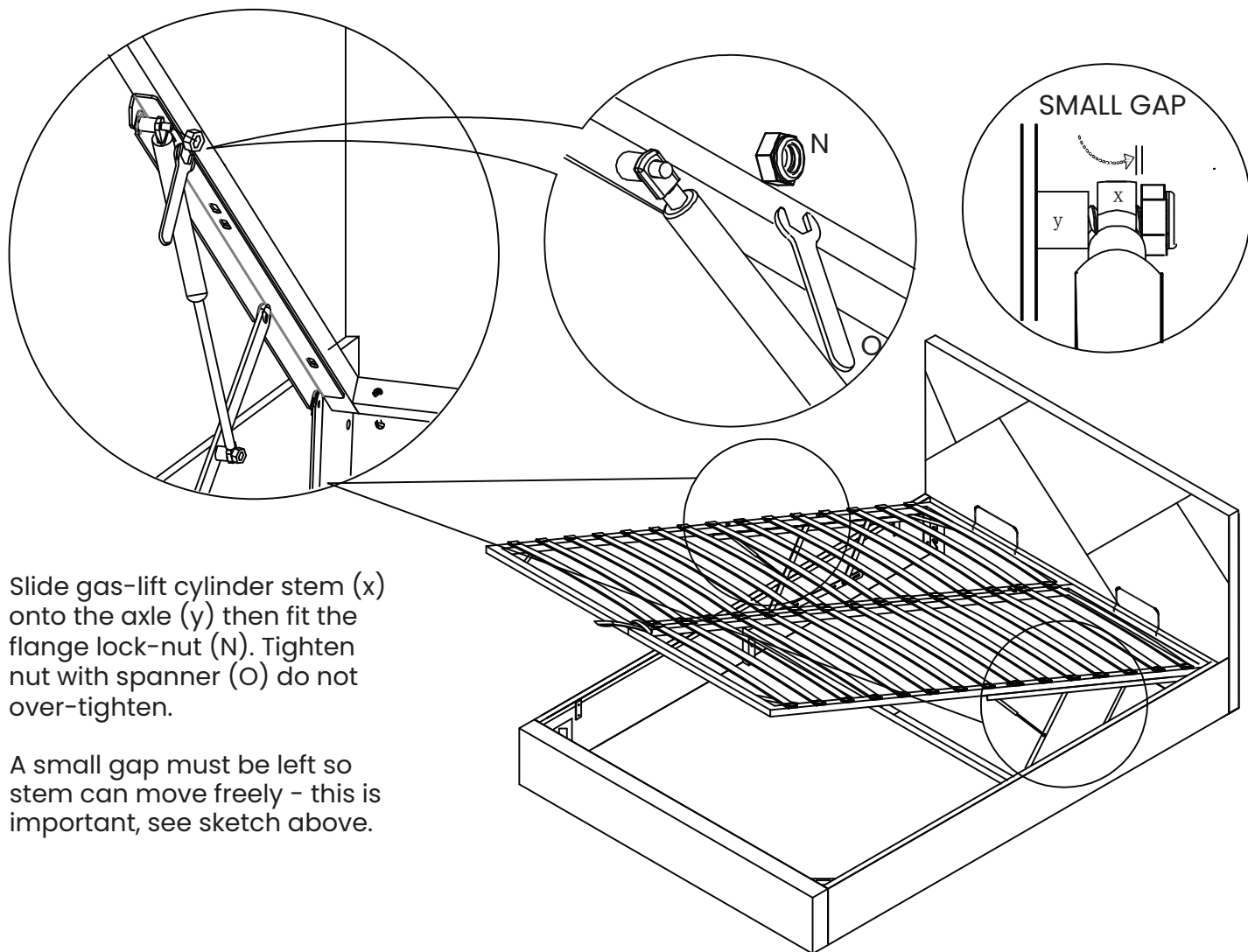


Loosely fit three bolt sets on each side (P, J, K & N), carefully hold frame down and align so there even gaps at each side, then tighten all bolts 100%.



Step 11:

N	Flanged M8 lock-nuts for gas-lift piston		2 pcs	O	Spanner for flanged M8 lock-nuts	 1 pc
---	--	--	-------	---	----------------------------------	---



Slide gas-lift cylinder stem (x) onto the axle (y) then fit the flange lock-nut (N). Tighten nut with spanner (O) do not over-tighten.

A small gap must be left so stem can move freely - this is important, see sketch above.

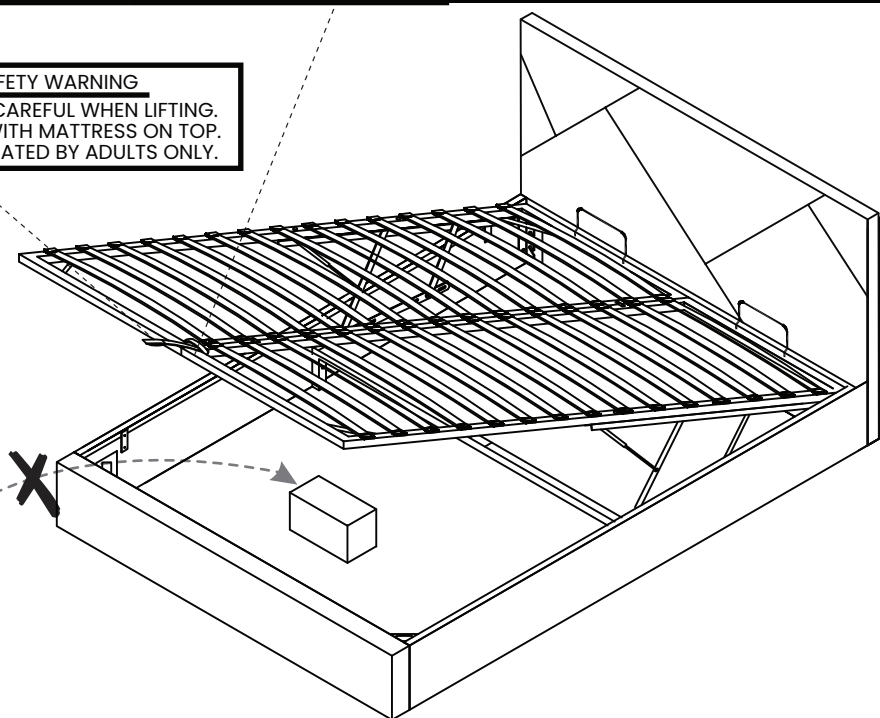
Step 12:

WARNING: ONLY USE THE HANDLE TO LIFT & LOWER THE BED FRAME TO AVOID TRAPPING FINGERS!

TO AVOID ACCIDENTS
TO ACCESS THE STORAGE AREA THE OTTOMAN FRAME **MUST BE FULLY OPENED** AND THEN **FULLY CLOSED** AFTERWARDS

SAFETY WARNING
PLEASE DO NOT ALLOW CHILDREN OR PETS INSIDE THE STORAGE AREA.

SAFETY WARNING
PLEASE BE CAREFUL WHEN LIFTING. ONLY LIFT WITH MATTRESS ON TOP. TO BE OPERATED BY ADULTS ONLY.



Note: Be very careful what you store under the bed - the top of an item, like a suitcase or a box, must not touch the slats or they may be damaged. Maximum storage height is 200mm.

Technical Specifications

Overall Dimensions (LWH mm)

Double: 2030 x 1430 x 980
King: 2130 x 1580 x 980
Super King: 2130 x 1880 x 980

Storage Dimensions (LWH mm)

Double: 1930 x 1380 x 300
King: 2030 x 1530 x 300
Super King: 2030 x 1830 x 300

Ottoman Piston Strength

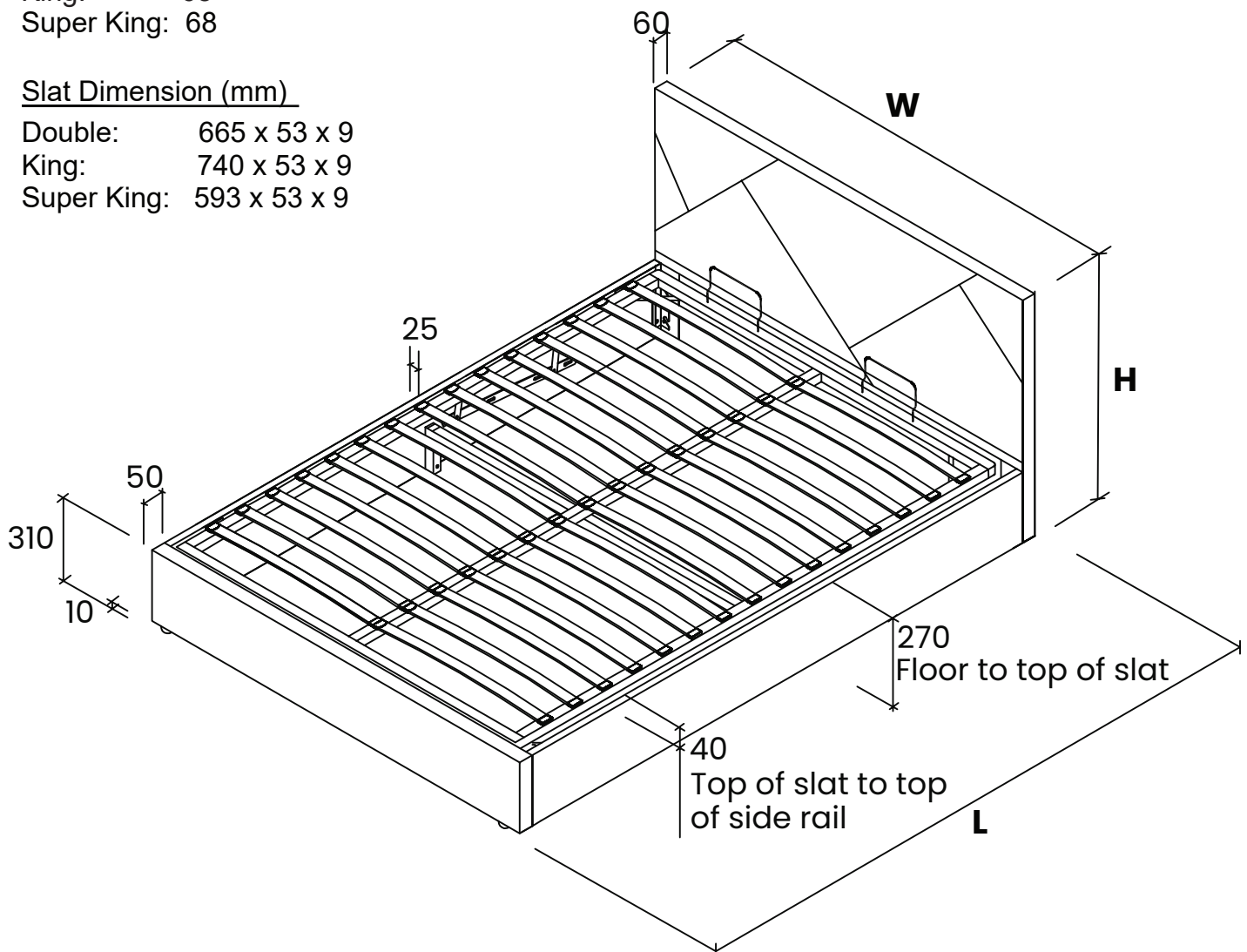
Double&King 800N
Super King 900N

Distance between slats (mm)

Double: 70
King: 68
Super King: 68

Slat Dimension (mm)

Double: 665 x 53 x 9
King: 740 x 53 x 9
Super King: 593 x 53 x 9



Important for Ottoman and other gas lift beds

Please follow these final steps to ensure the best experience with your new bed

- Please ensure the pistons are fitted to the bed frame.
- Please place the mattress on top of the bed frame.
- Standing at the foot of the frame (looking at the headboard) open the base and the press quite forcefully down on the mattress - please do not attempt to do this without the mattress being in place.
- Please do not pull on the strap handles.
- Please note as the pistons are full of gas - you will need to press heavily to release the compressed gas.
- Once done the pistons should start operating as normal.



IMPORTANT OTTOMAN SAFETY WARNINGS Cont.

- Use caution when operating, always use the handle when lifting.
- Note: This bed uses a pressurised mechanism.
- To be operated by adults only.
- Please ensure that children and pets are kept away from the bed when operating the lift mechanism.
- Keep children and pets away from the storage area.
- Do not overload the internal storage base.
- Do not stand inside the internal storage area of the bed.
- Before removing the mattress secure the frame to ensure it does not open unexpectedly.
- Do not attempt to lie on the mattress when the ottoman is in the raised position.
- When lifting the ottoman, remove all bedding except the fitted sheet.

Please dispose of all packaging safely.

General Care & Maintenance

Wipe clean with a slightly damp cloth.

Avoid the use of all household cleaners and abrasives.

Periodically check all screw & fixings to ensure they are secure.

When moving your product, carefully lift into place. Never drag or push the pieces across the floor as this will cause damage to the joints and could result in failure to the product that will invalidate the warranty.

For more information on cleaning and product care visit:

<https://www.happybeds.co.uk/help-and-advice>

Notes

We've tried to make this product as easy to assemble as possible. In the unlikely event that you have problems putting it together or have damaged or missing pieces, please contact us by visiting:

<https://www.happybeds.co.uk/customer-service>