



Assembly Instructions

Title of Product

CHLOE Wooden 4 Drawer Chest



Important before assembly:

Read these instructions carefully before assembling or using the product.

Please check the contents of the boxes before attempting to assemble this product. The instructions will have a checklist of parts and fittings.

It would be sensible to lay a rug or a carpet on the floor where you intend to assemble the product, to avoid scratches and damaging the product or the floor.

Assemble the product as close to its intended final location/room as possible.

Do NOT use any power tools as this may damage the frame.

Health & Safety:

This product or some parts of this product will be heavy. Please use an assistant when lifting.

Please keep small parts out of reach of children.

Always use on a level, even surface.

DO NOT jump on the product or any of its parts.

DO NOT use this product if any parts are missing, damaged or worn.

DO NOT use this product unless all fixings are secured.

Please keep these instructions for future reference.



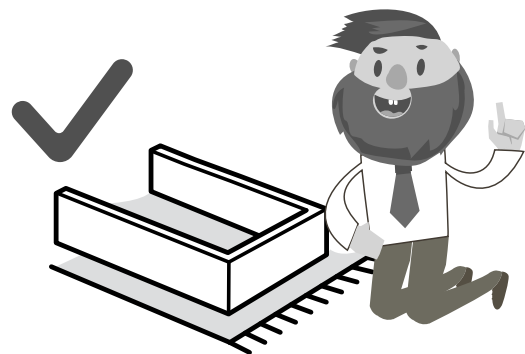
(Not metal)

These tools are not necessary, but may help to assemble certain parts of the product.

Do NOT use any power tools as this may damage the frame.



This product or some parts of this product will be heavy. Please use an assistant when lifting.



Never drag or push the pieces across a hard or stone floor as this will cause damage to the joints. Use a carpet or a rug for extra care.

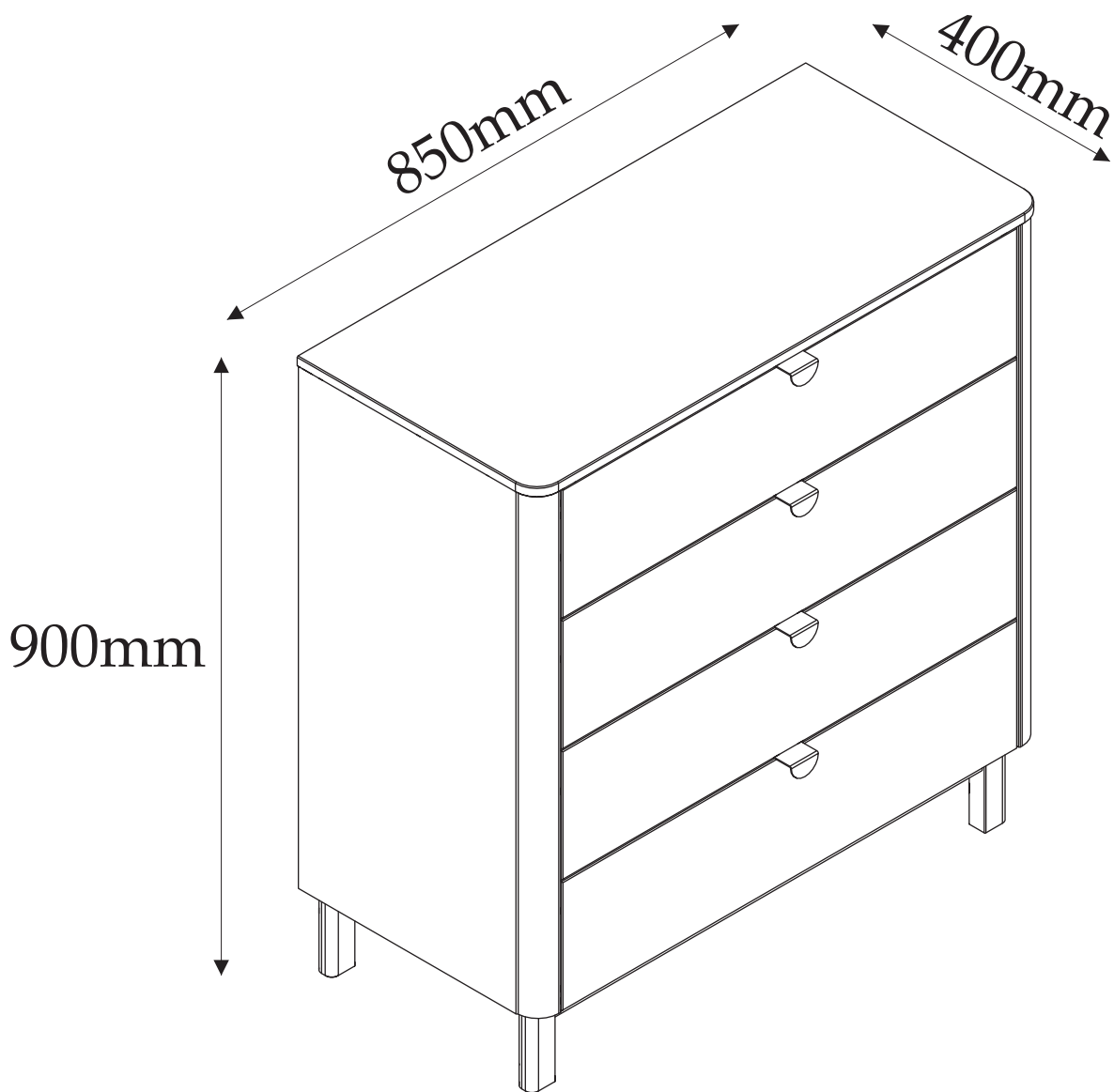


If you have problems assembling or have damaged or missing pieces, please contact us by visiting:

<https://www.happybeds.co.uk/customer-service>

4 Drawer Chest

Assembly Instructions



HARDWARE



A
3,5x14mm
12x



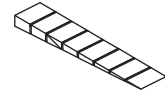
B
4x40mm
1x



C
15x11mm
37x



D
8x30mm
36x



E
88x20mm
2x



F
4x



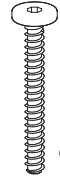
G
6x12mm
32x



H
8x8mm
28x



I
150x15mm
1x



J
7x60mm
4x



K
4,5x50mm
6x



L
4x40mm
16x



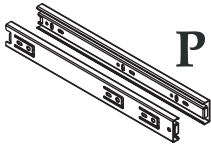
M
3,5x16mm
1x



N
755mm
16x

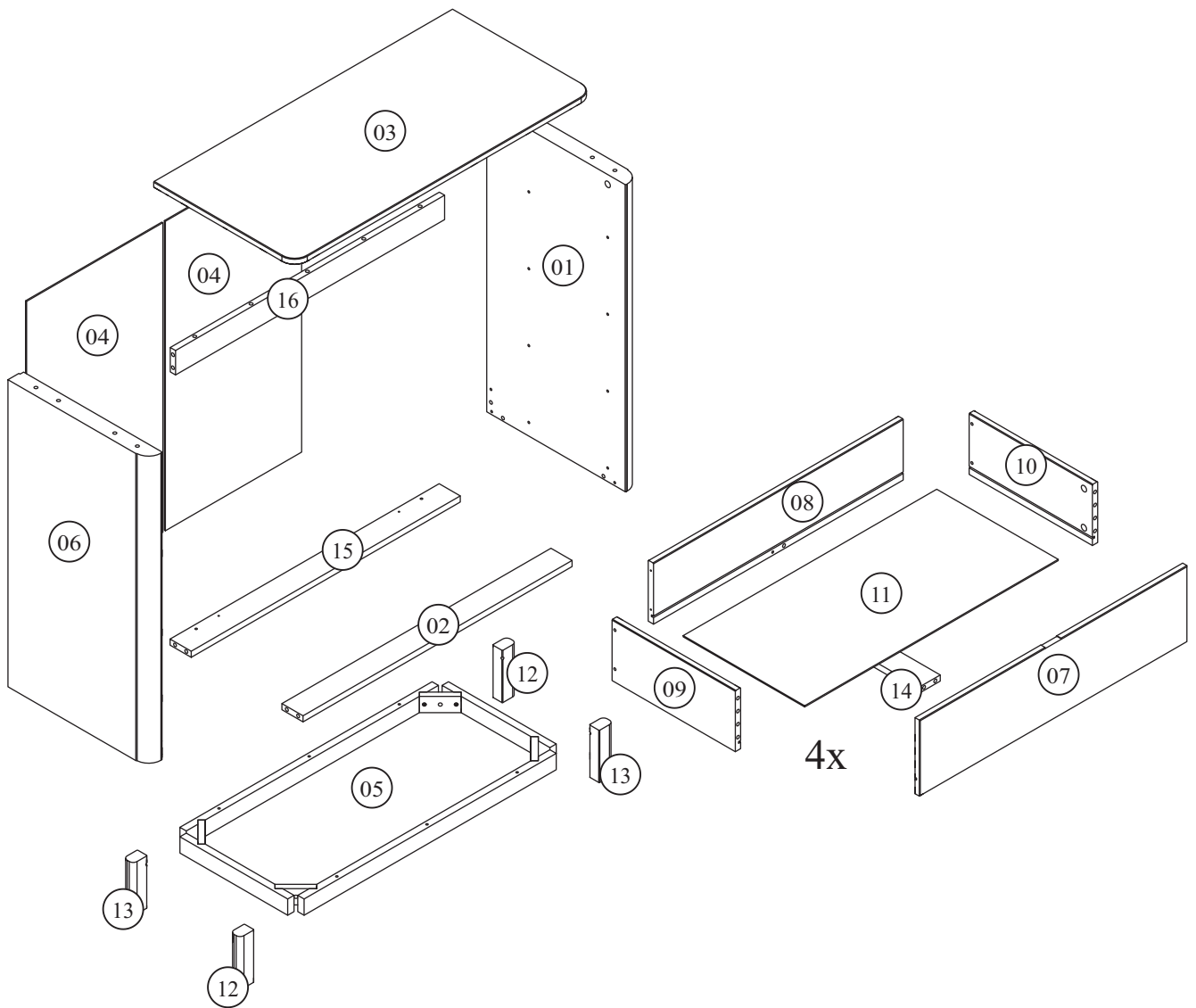


O
6,5x35mm
37x



P
350mm
1x

PARTS



Safety Advice

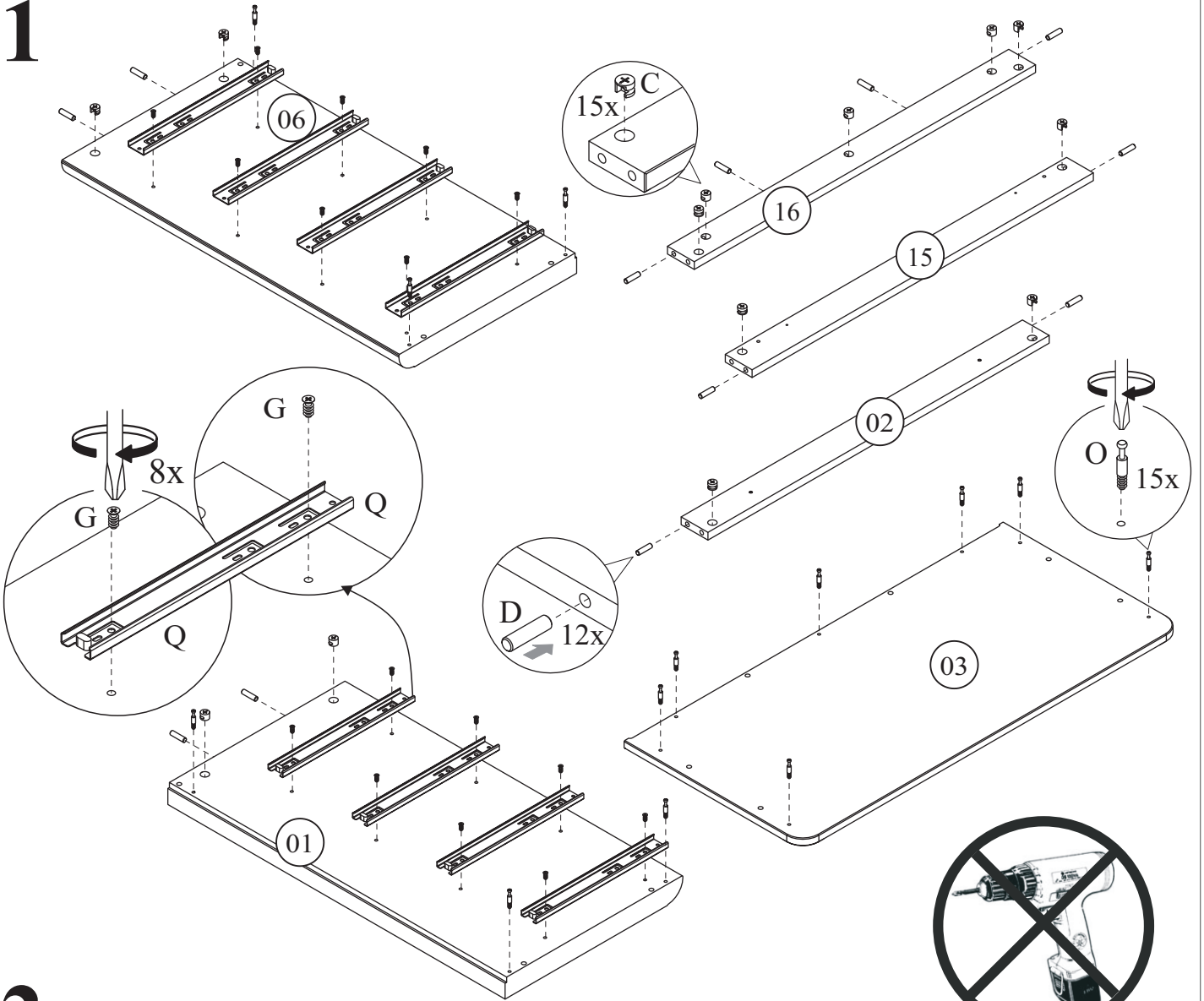
Please take the time to carefully read through the whole of these instructions before you commence. Keep these instructions for future reference. Unpack, inspect and check off all of the contents. Please dispose of all packaging safely. Small component parts could choke a child if swallowed. We strongly recommend that you keep children well away from the work area. It would be sensible to lay a sheet or blanket on the floor where you intend to work to avoid scratching this product and to protect your floor. This product is heavy. Take extreme care when lifting to avoid personal injury or damage to the product. Assemble the product as close to its intended final position in the room as possible.

HANDY HINT: If you keep the hardware in a bowl during assembly you will be less likely to lose them.

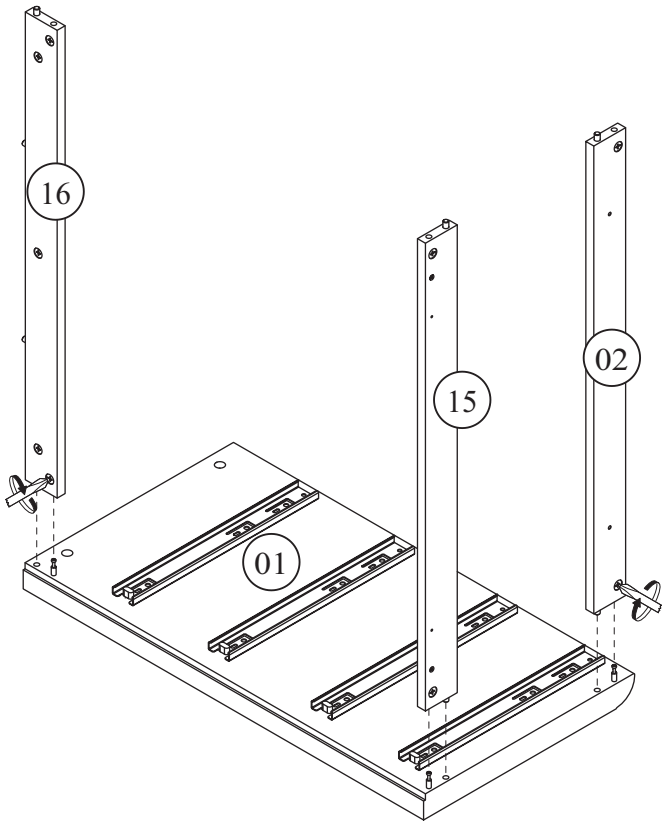
We strongly urge that you do not use Power Tools, such as drills or electric screwdrivers during this assembly as this could cause irreparable damage to your product and will invalidate the warranty.

“WARNING: In order to prevent overturning this product must be used with the wall attachment device provided.”

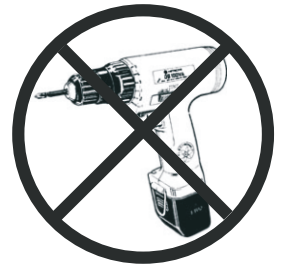
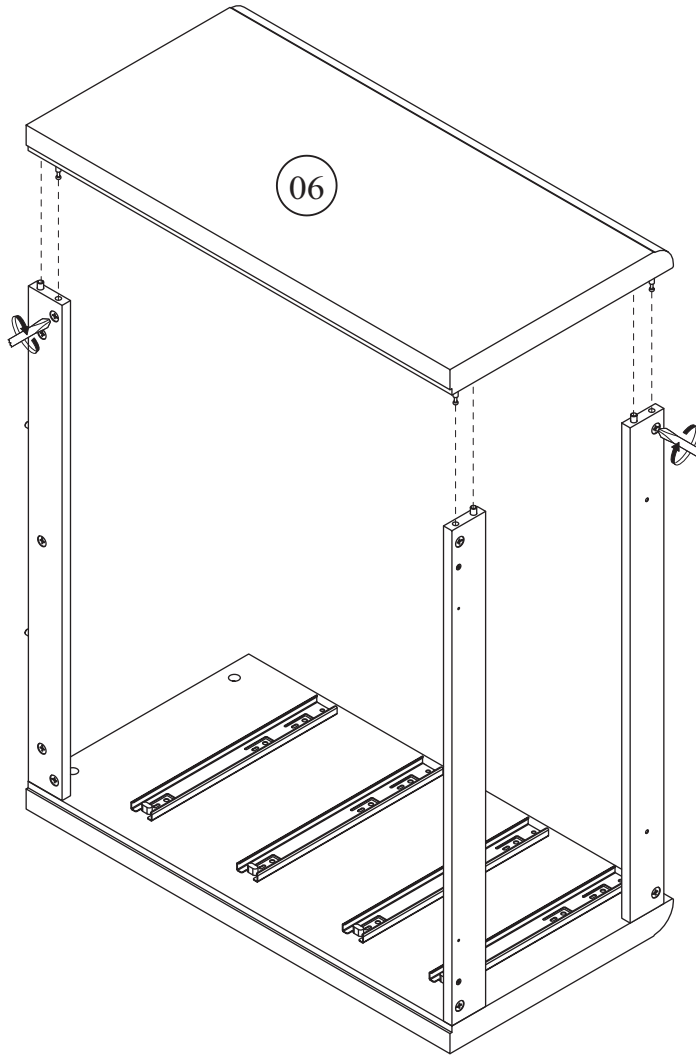
1



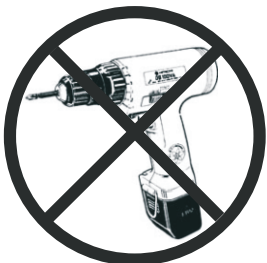
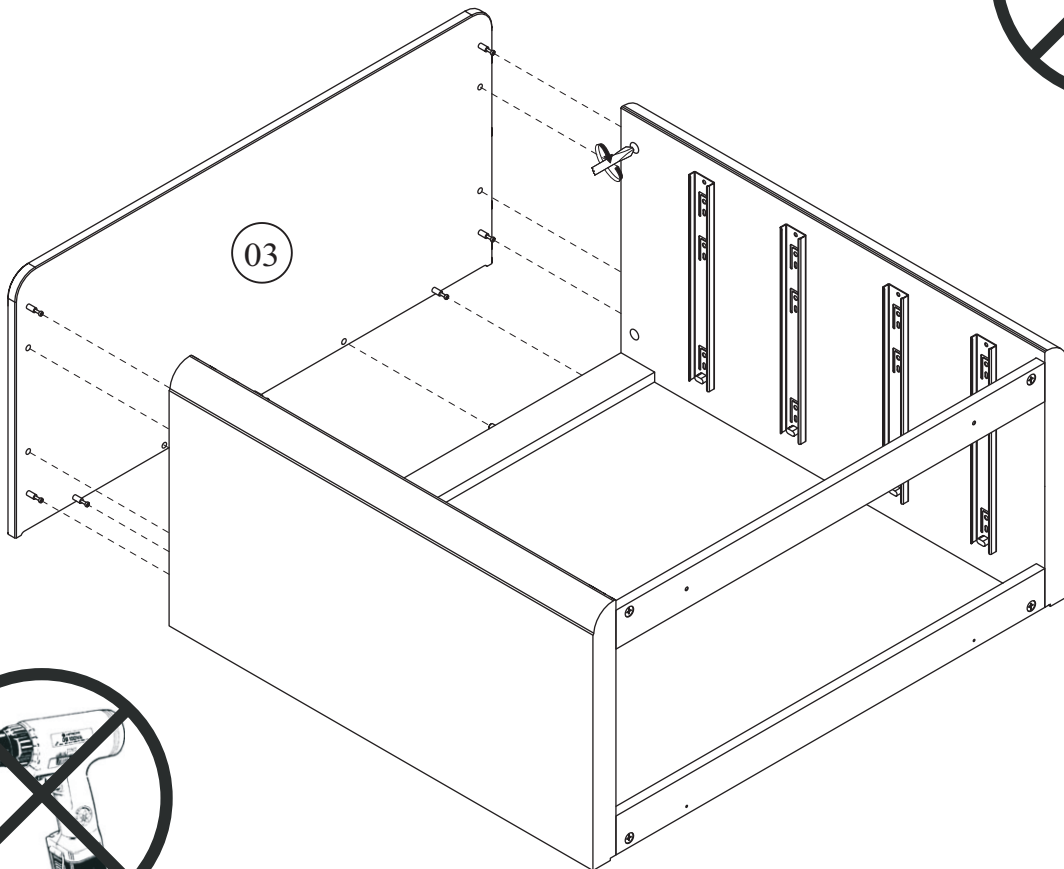
2



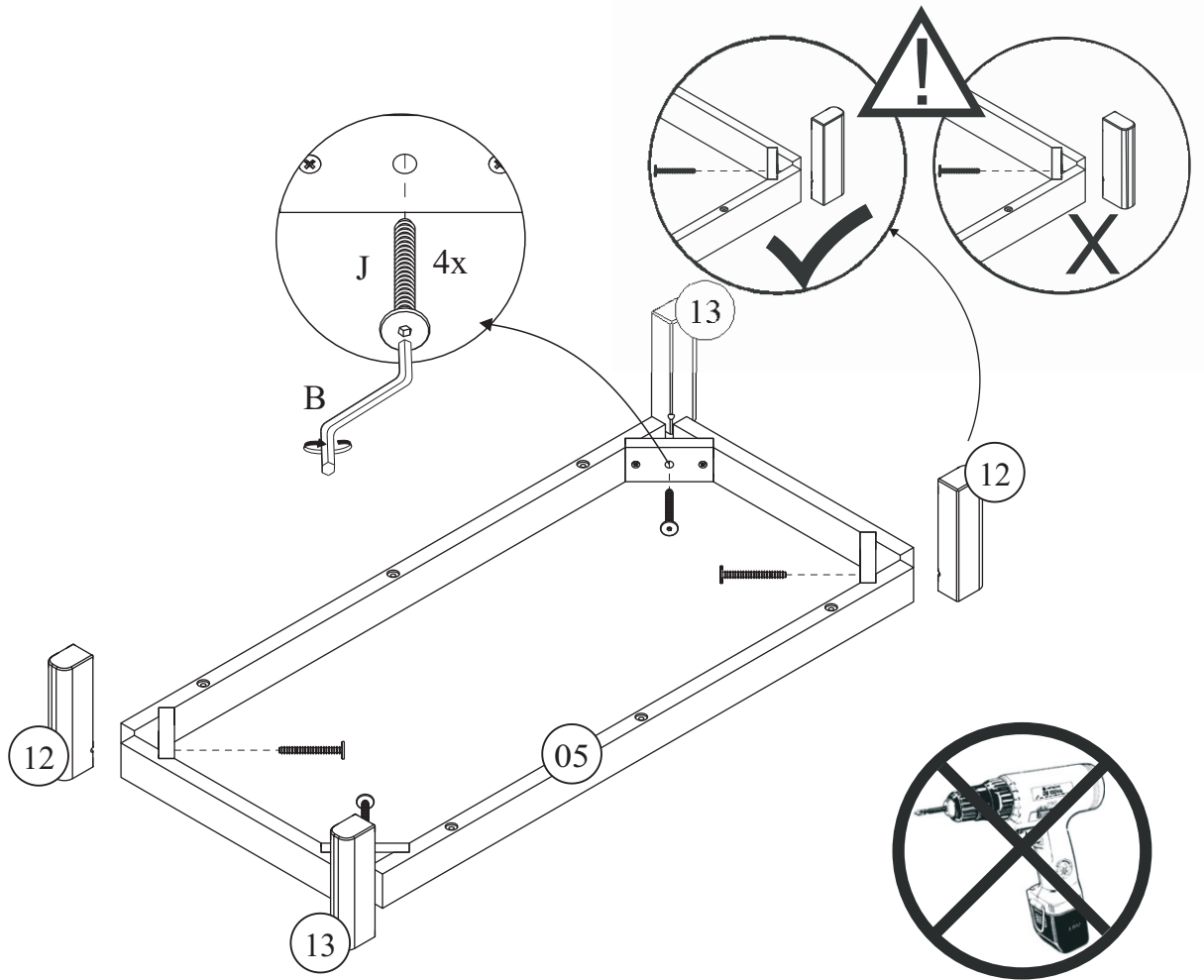
3



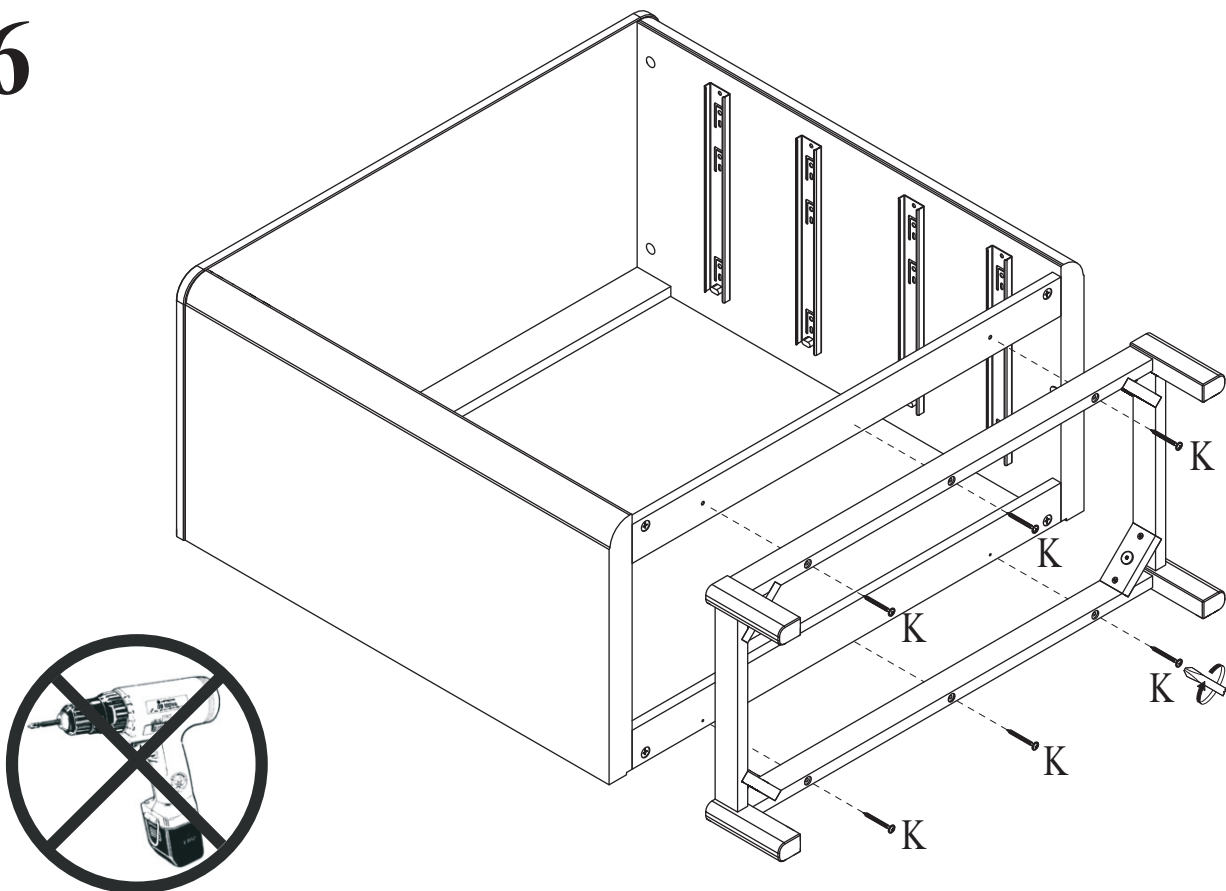
4



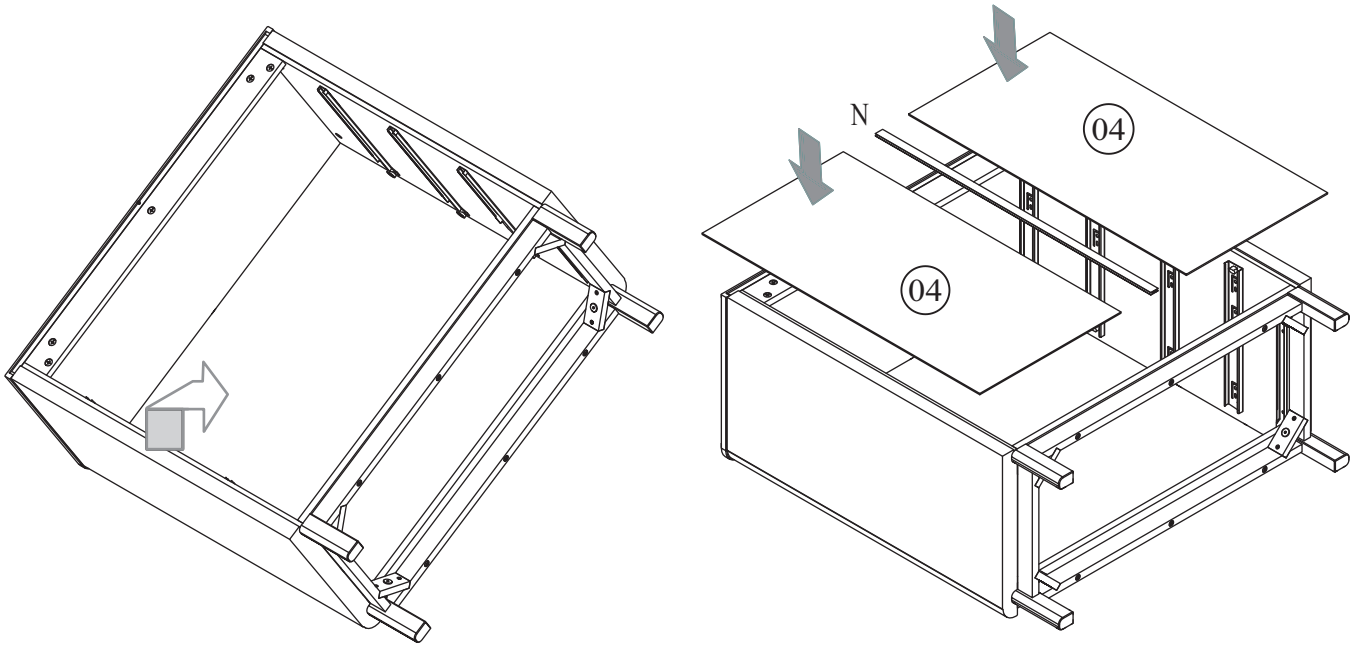
5



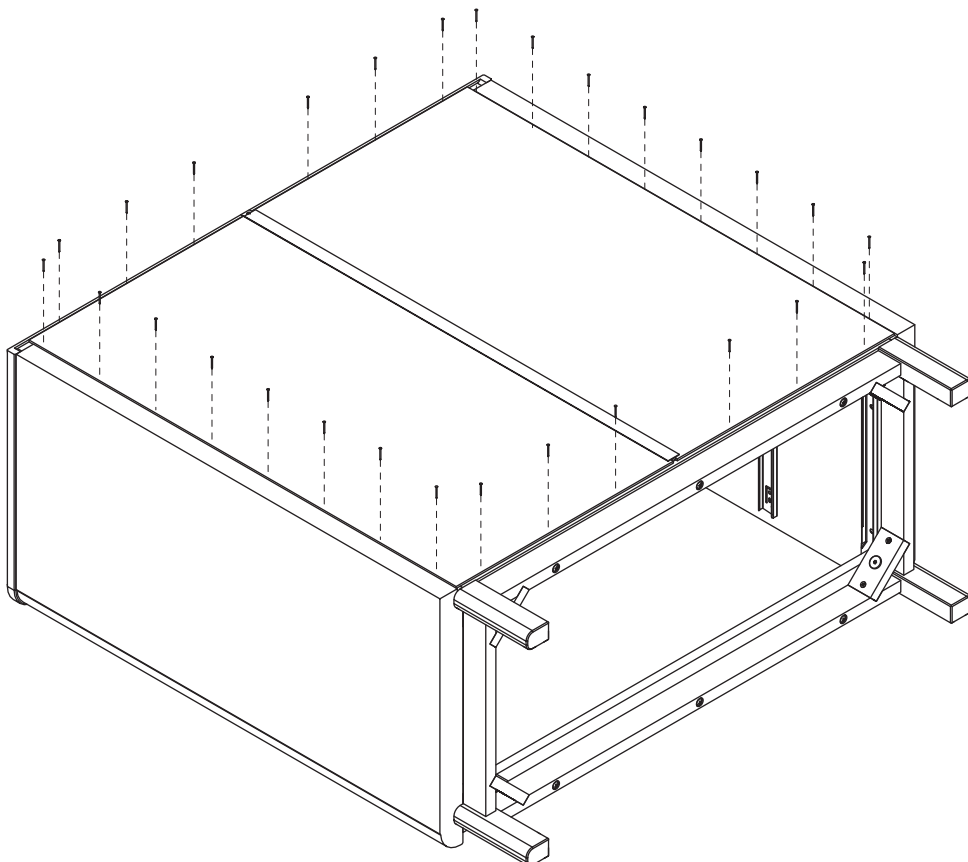
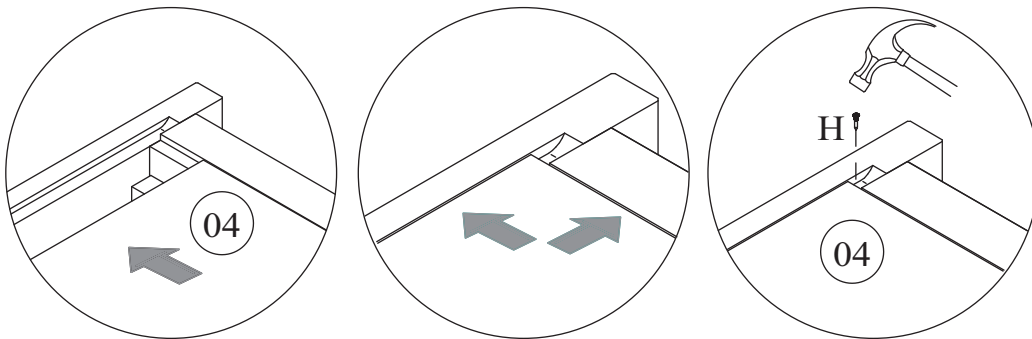
6



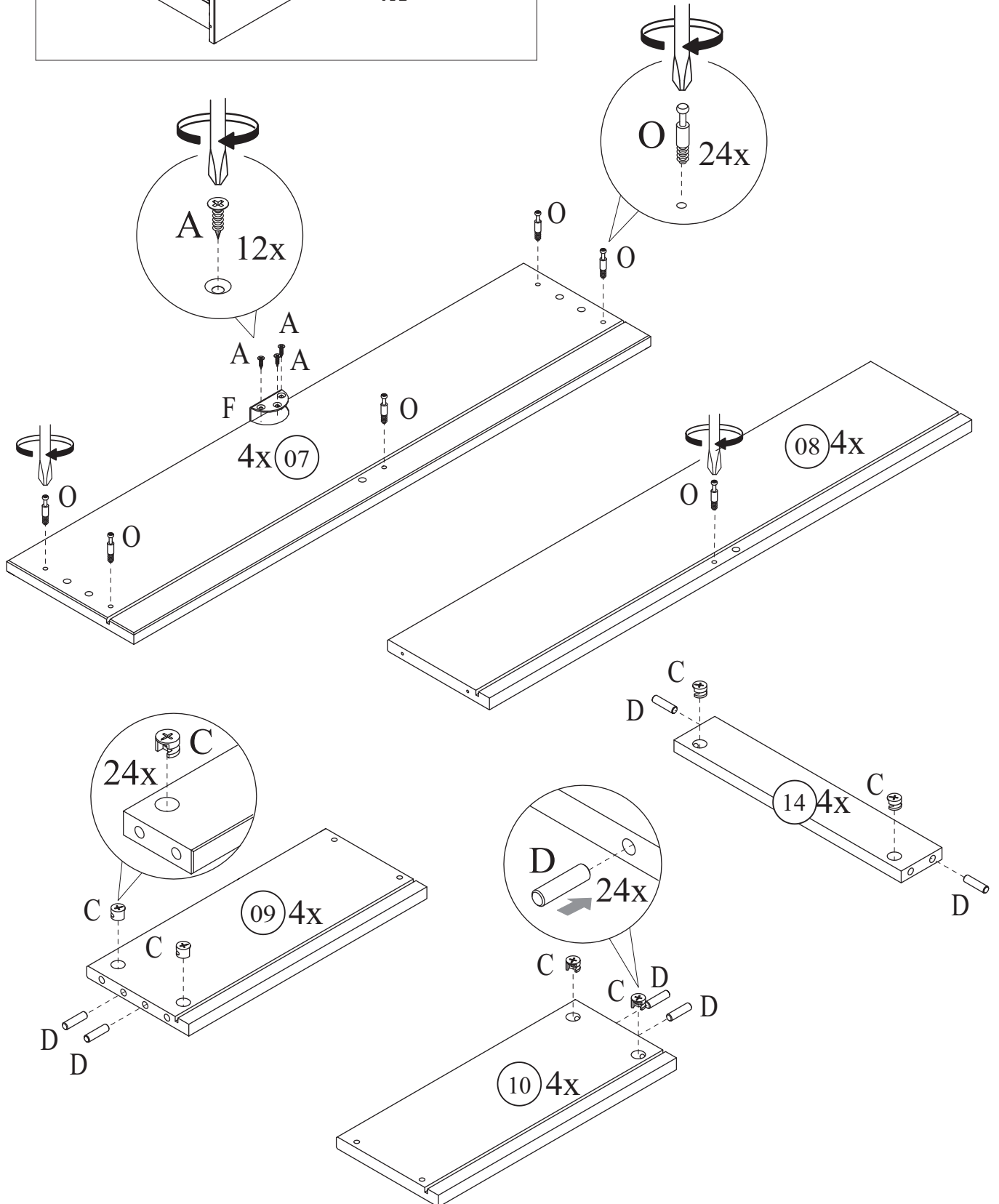
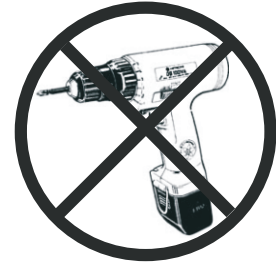
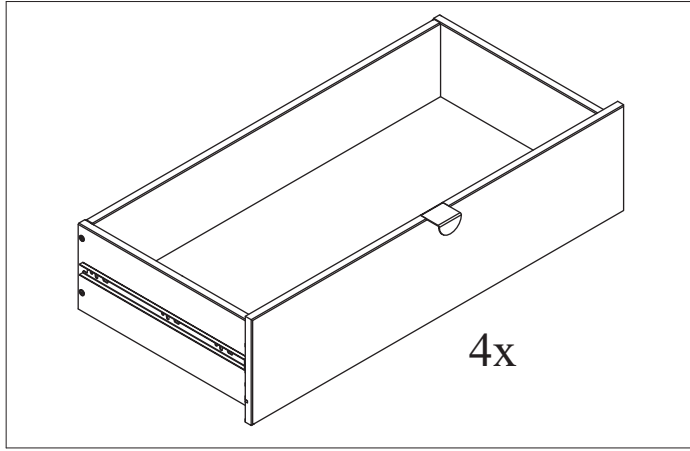
7

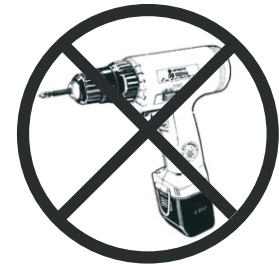
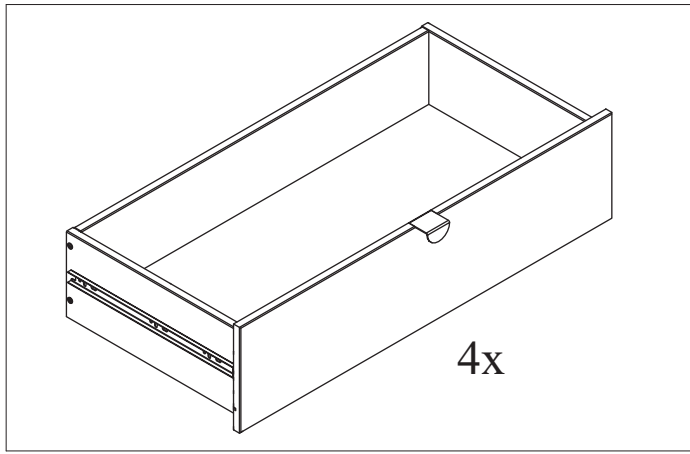


8

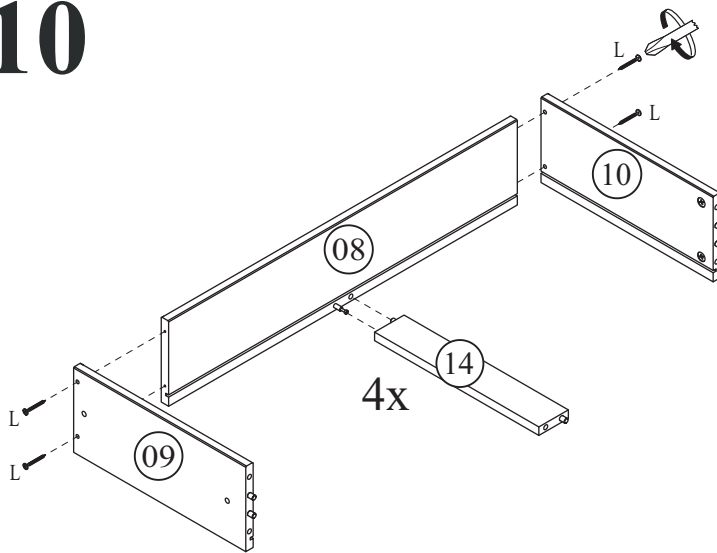


9

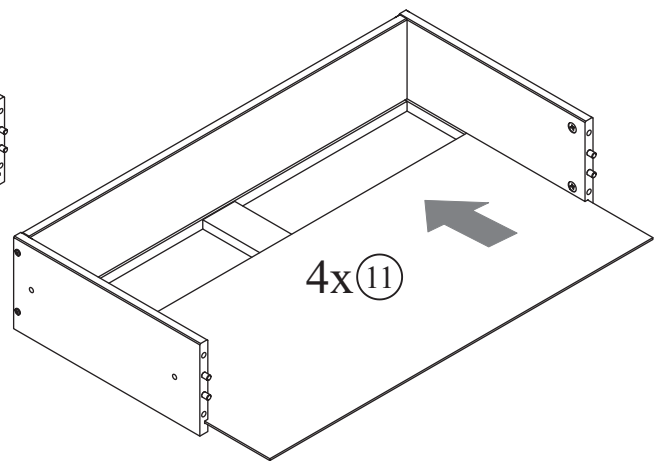




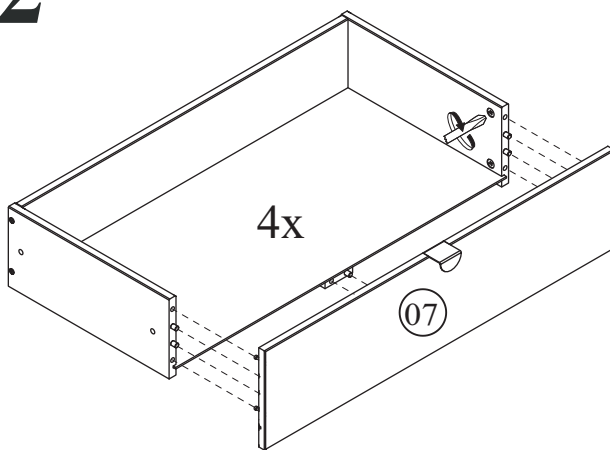
10



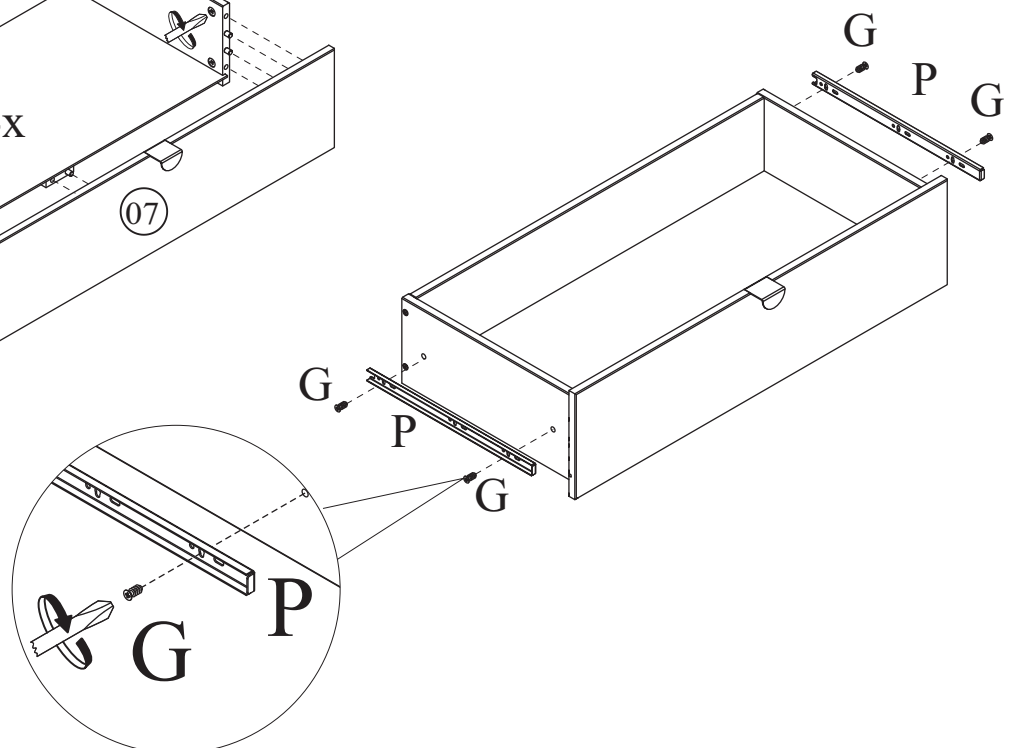
11

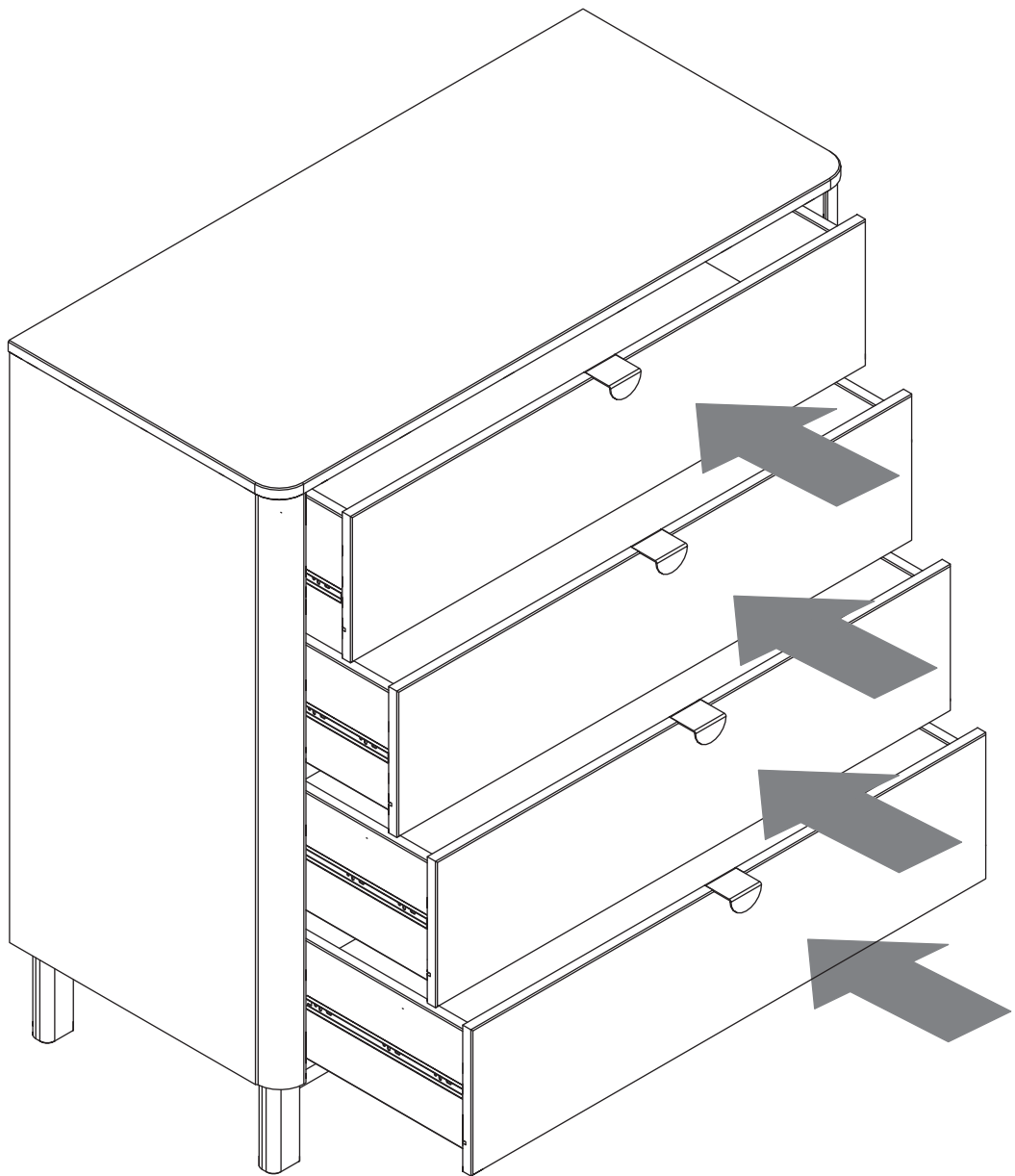


12

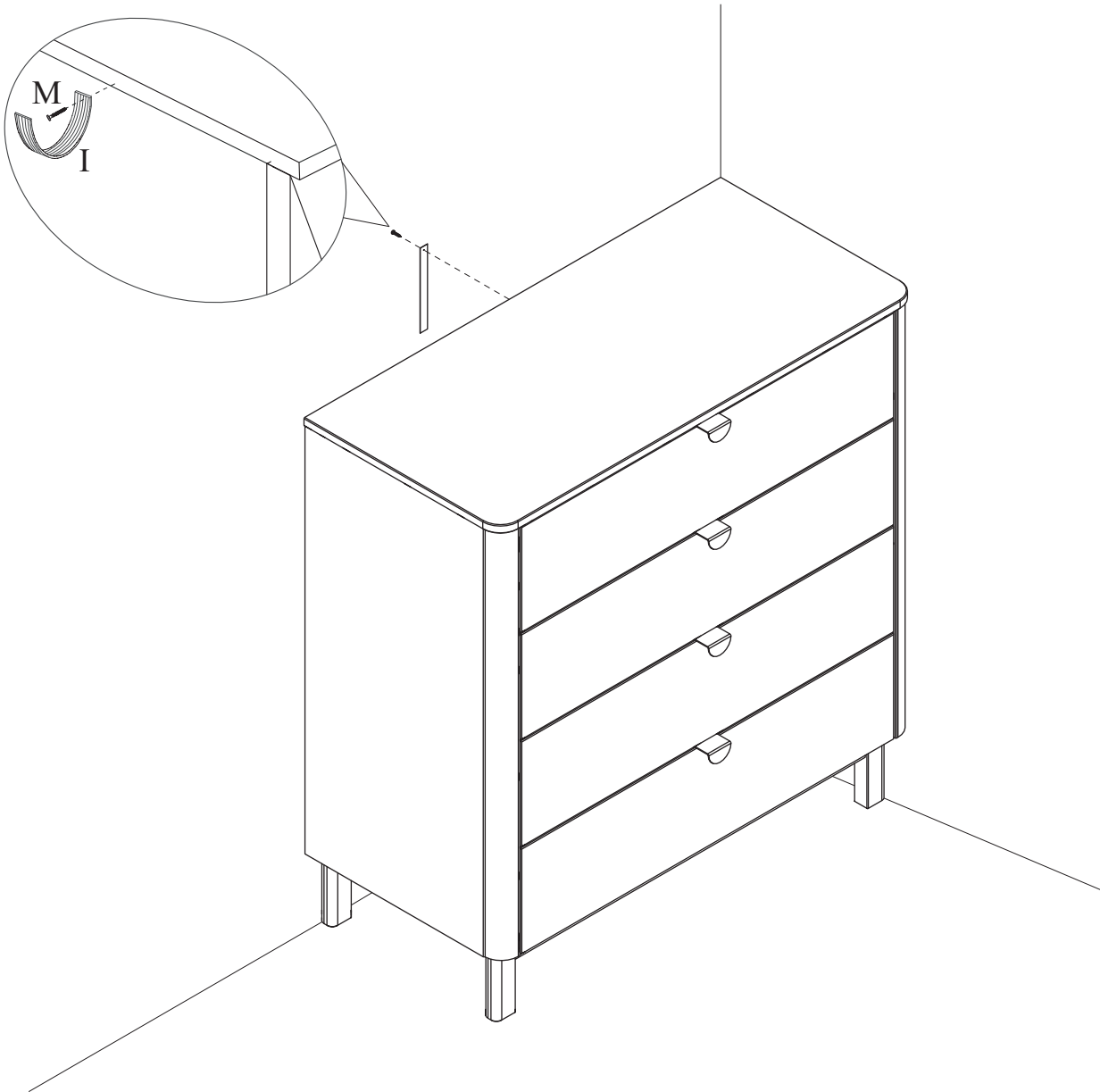


13





15



ADDITIONAL SAFETY INFORMATION

In the interest of safety, particularly where small children are concerned, we advise securing your furniture to the wall to prevent the product from tipping forwards when loaded.

The screw included in this fitting pack is only intended for fixing the safety strap to the piece of furniture.

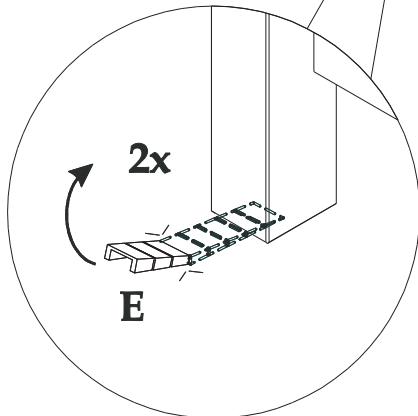
Use fixing devices suitable for the walls in your home. (NOT INCLUDED)

If you are unsure what type of fixings to use, please seek further advice from your local DIY store.

16



Use as necessary



Please dispose of all packaging safely.

General Care & Maintenance

Wipe clean with a slightly damp cloth.
Avoid the use of all household cleaners and abrasives.

Periodically check all screw & fixings to ensure they are secure.
When moving your product, carefully lift into place. Never drag or push the pieces across the floor as this will cause damage to the joints and could result in failure to the product that will invalidate the warranty.

For more information on cleaning and product care visit:
<https://www.happybeds.co.uk/help-and-advice>

Notes

We've tried to make this product as easy to assemble as possible. In the unlikely event that you have problems putting it together or have damaged or missing pieces, please contact us by visiting:

<https://www.happybeds.co.uk/customer-service>



www.happybeds.co.uk

