

Assembly Instructions

Important before assembly:

Read these instructions carefully before assembling or using the product.

Please check the contents of the boxes before attempting to assemble this product. The instructions will have a checklist of parts and fittings.

Assemble the product as close to its intended final location/room as possible.

Health & Safety:

This product or some parts of this product will be heavy. Please use an assistant when lifting.

Please keep small parts out of reach of children.

Always use on a level, even surface.

DO NOT jump on the product or any of its parts.

DO NOT use this product if any parts are missing, damaged or worn.

DO NOT use this product unless all fixings are secured.

Further instructions are on the following pages.

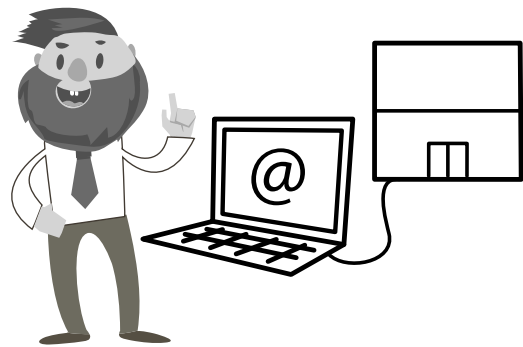
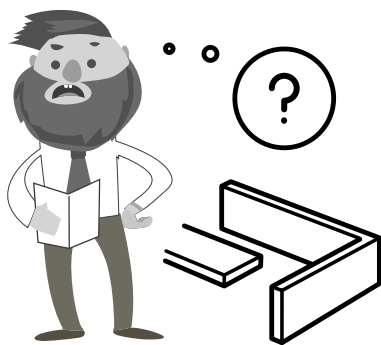
Please keep these instructions for future reference.



This product or some parts of this product will be heavy. Please use an assistant when lifting.



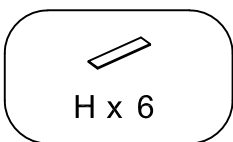
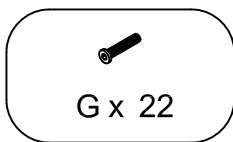
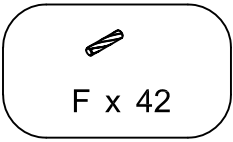
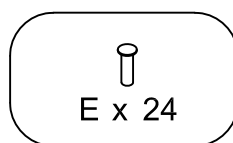
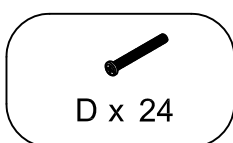
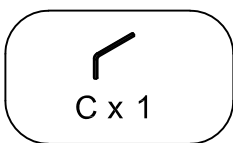
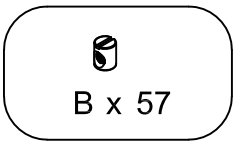
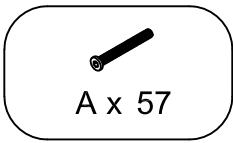
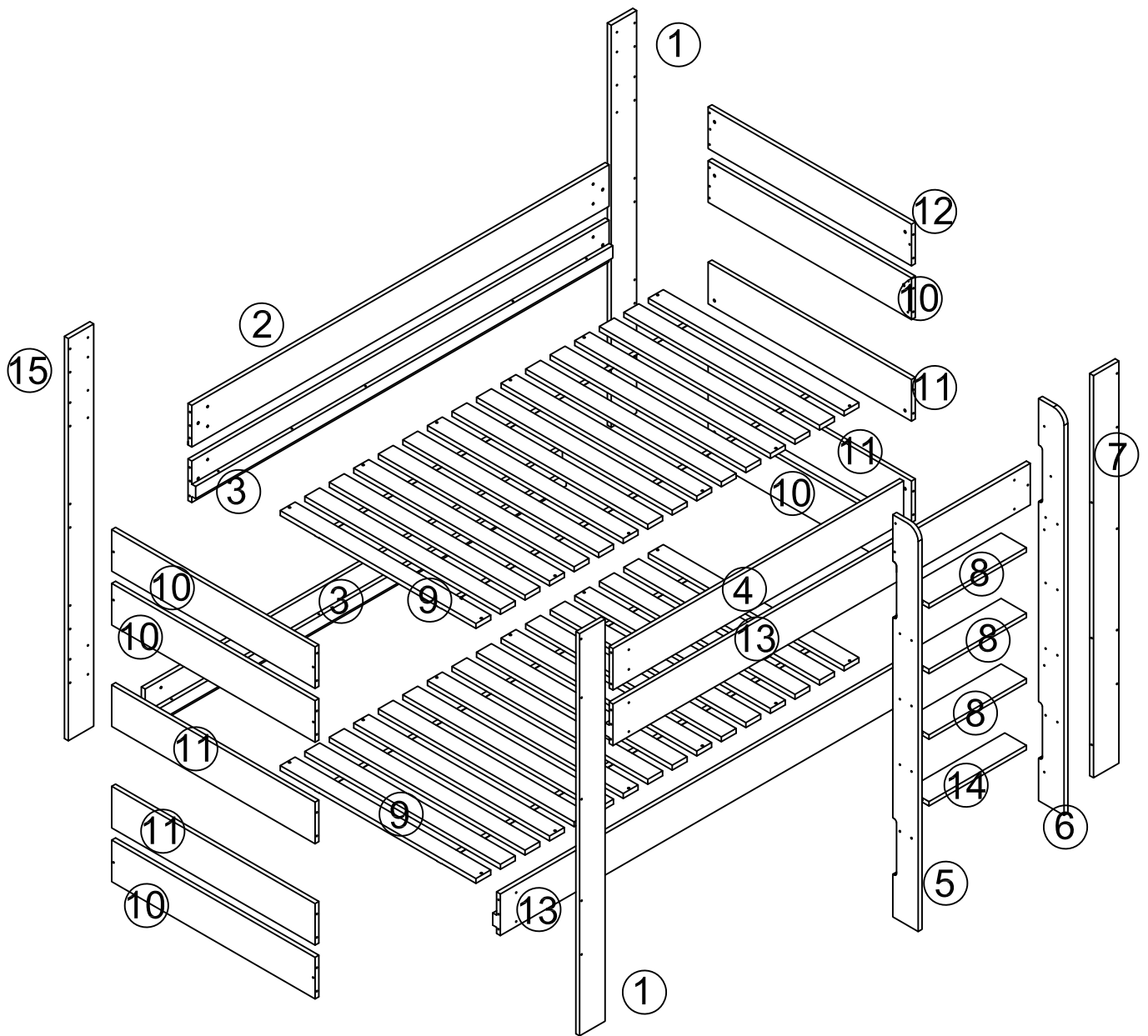
Never drag or push the pieces across a hard or stone floor as this will cause damage to the joints. Use a carpet or a rug for extra care.



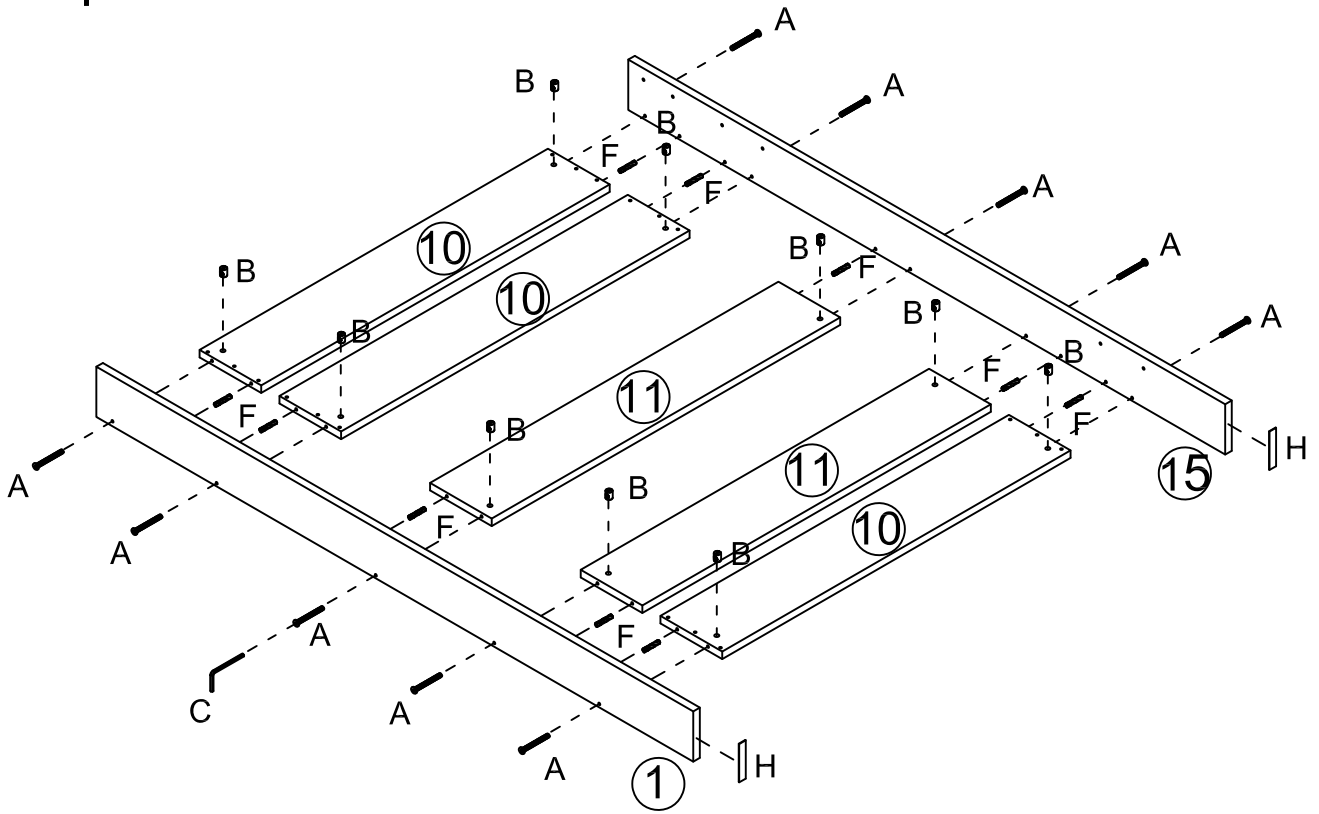
If you have problems assembling or have damaged or missing pieces, please contact our customer services (details at the back of these instructions)

IMPORTANT – READ CAREFULLY – RETAIN FOR FUTURE REFERENCE

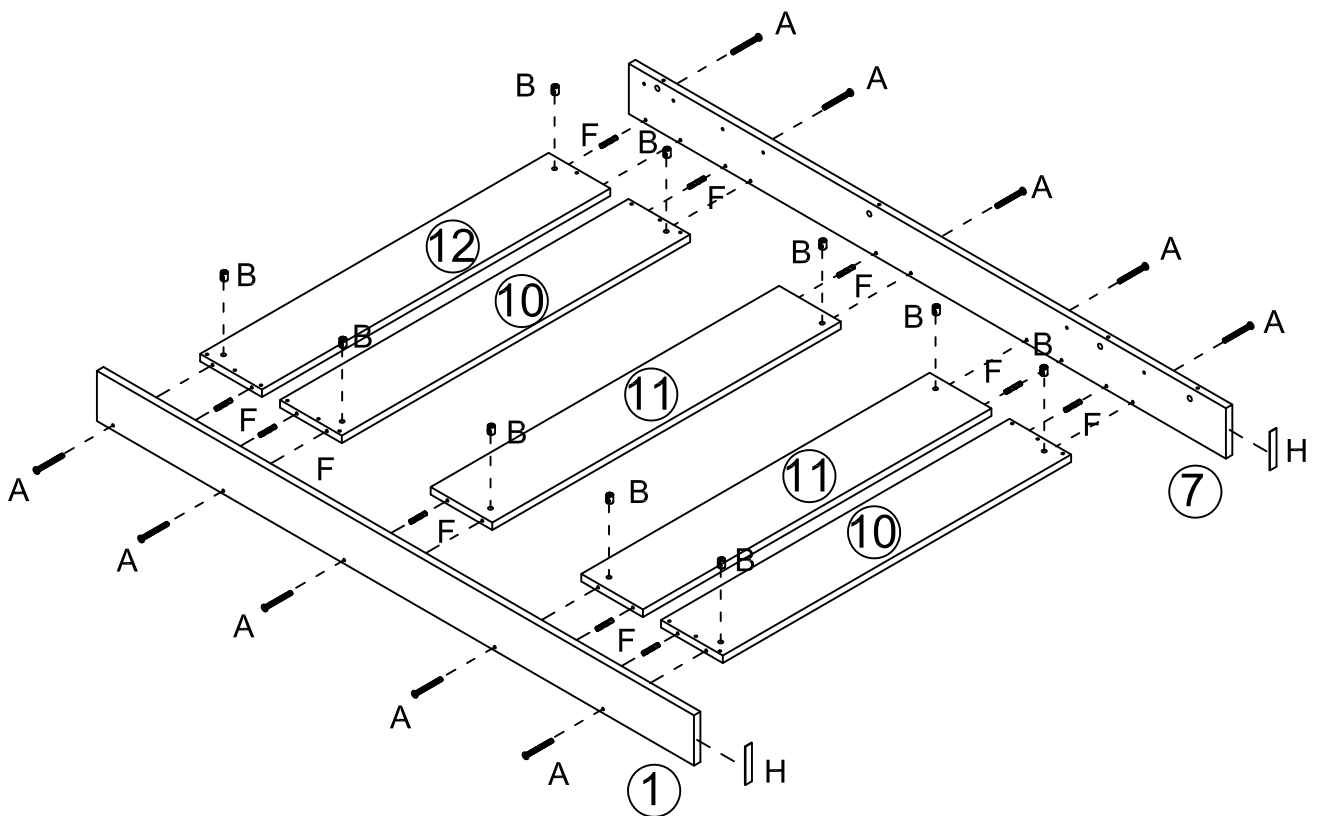
- A. WARNING – High beds and the upper bed of bunk beds are not suitable for children under six years due to the risk of injury from falls.
- B. WARNING – Bunk beds and high beds can present a serious risk of injury from strangulation if not used correctly. Never attach or hang items to any part of the bunk bed that are not designed to be used with the bed, for example, but not limited to ropes, strings, cords, hooks, belts and bags.
- C. WARNING – Children can become trapped between the bed and the wall, a roof pitch, the ceiling, adjoining pieces of furniture (e.g cupboards) and the like. To avoid risk of serious injury the distance between the top safety barrier and adjoining structure shall not exceed 75 mm or shall be more than 230 mm.
- D. WARNING – Do not use the bunk bed/high bed if any structural part is broken or missing.
- E. Always follow the manufacturer's instructions.
- F. The recommended size of the mattress Height 150 mm x Width 900 mm x Depth 1900 mm.
- G. The room upon which the item is placed should be well ventilated to keep the humidity low to prevent mould in and around the bed.
- H. The maximum thickness of the mattress should be 150 mm.
- I. Regularly check that all fastenings and fittings are properly tightened.
- J. European Standard - **EN 747-1:2012+A1:2015**



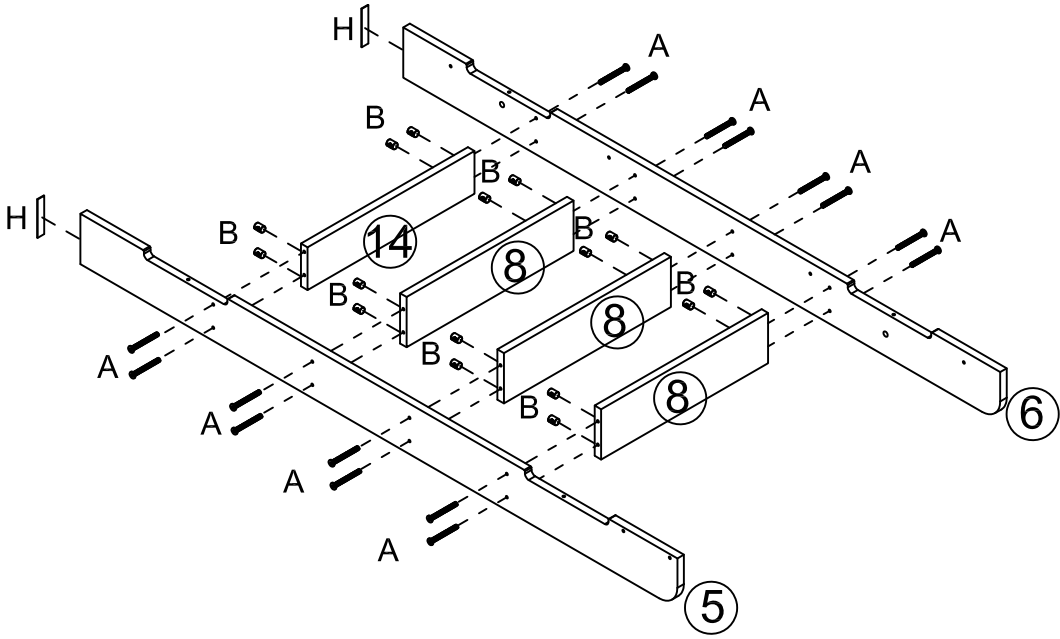
Step 1



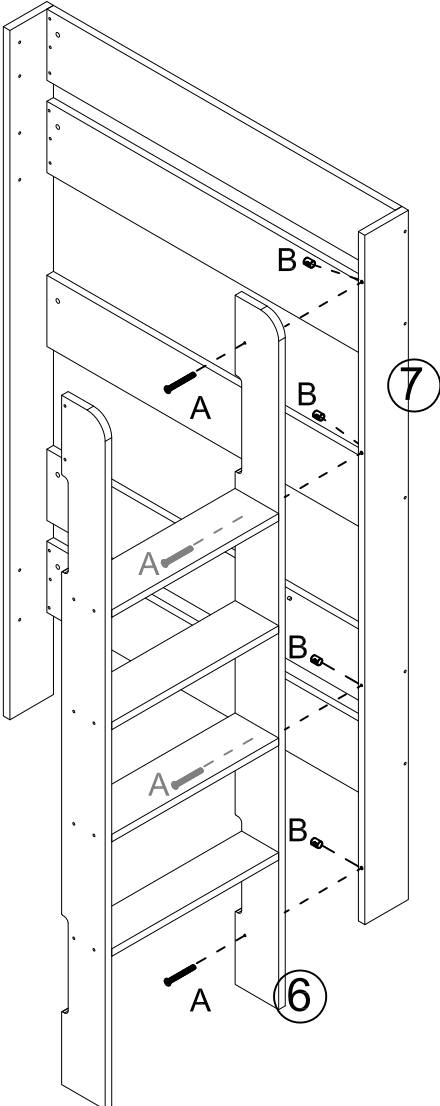
Step 2



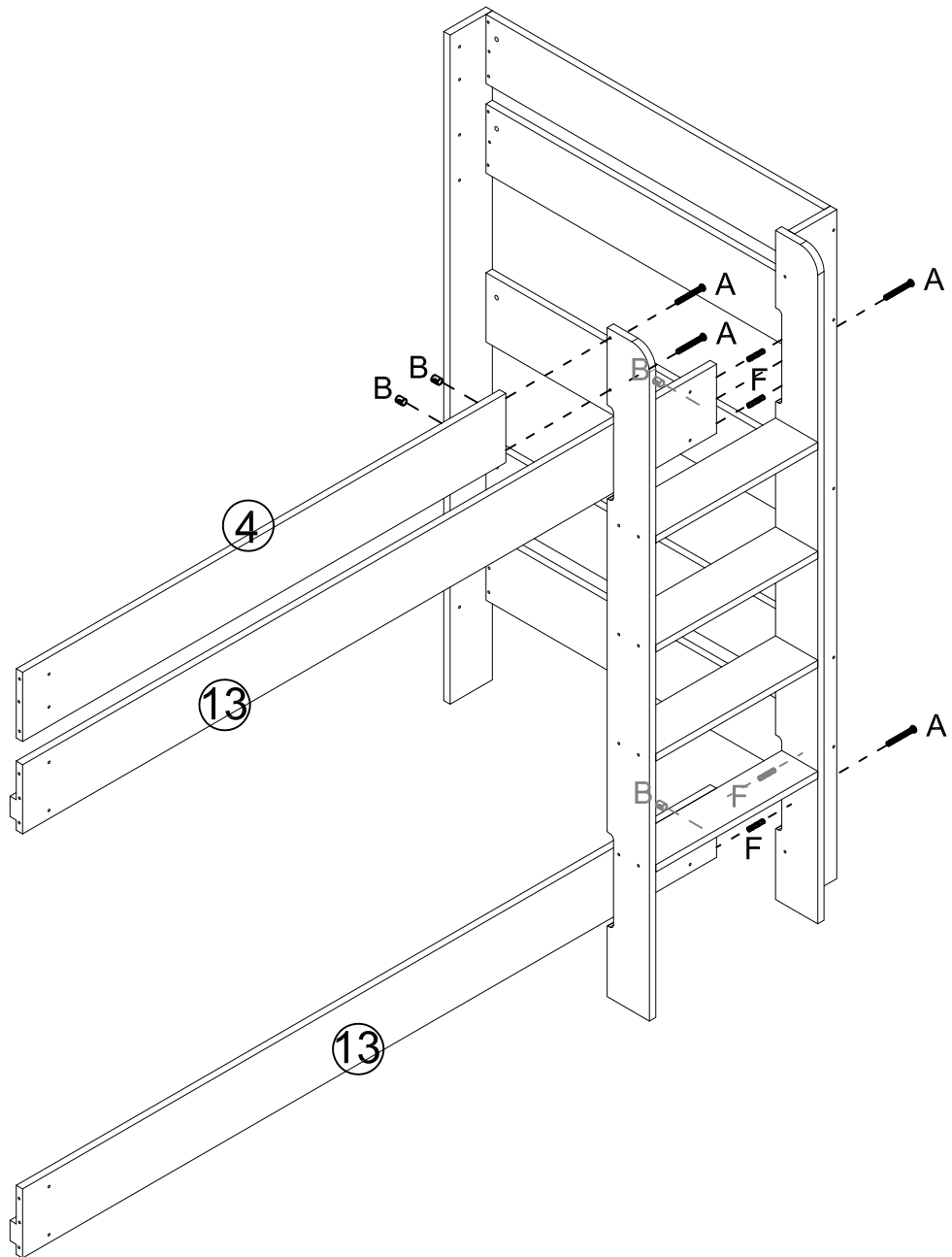
Step 3



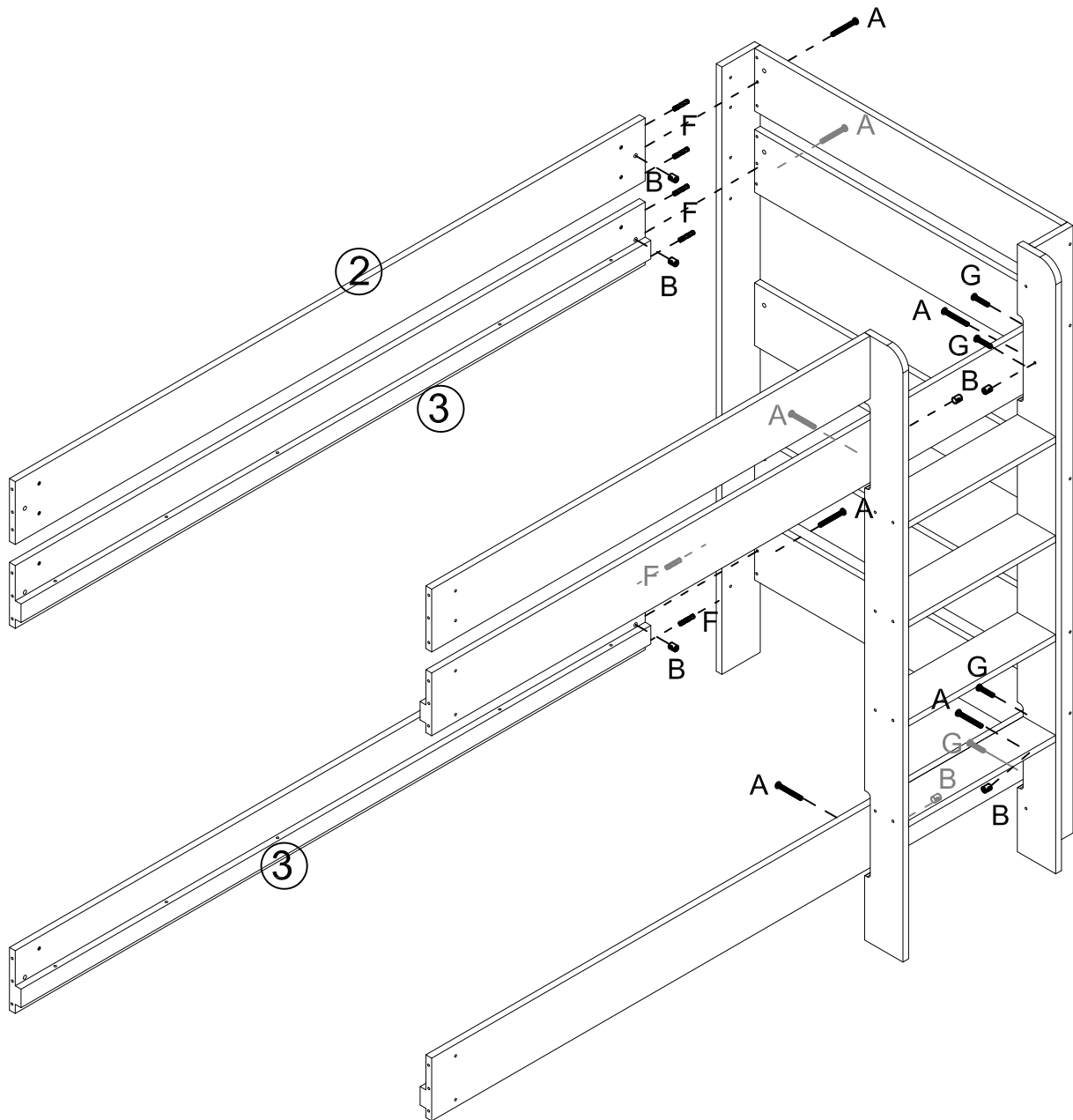
Step 4



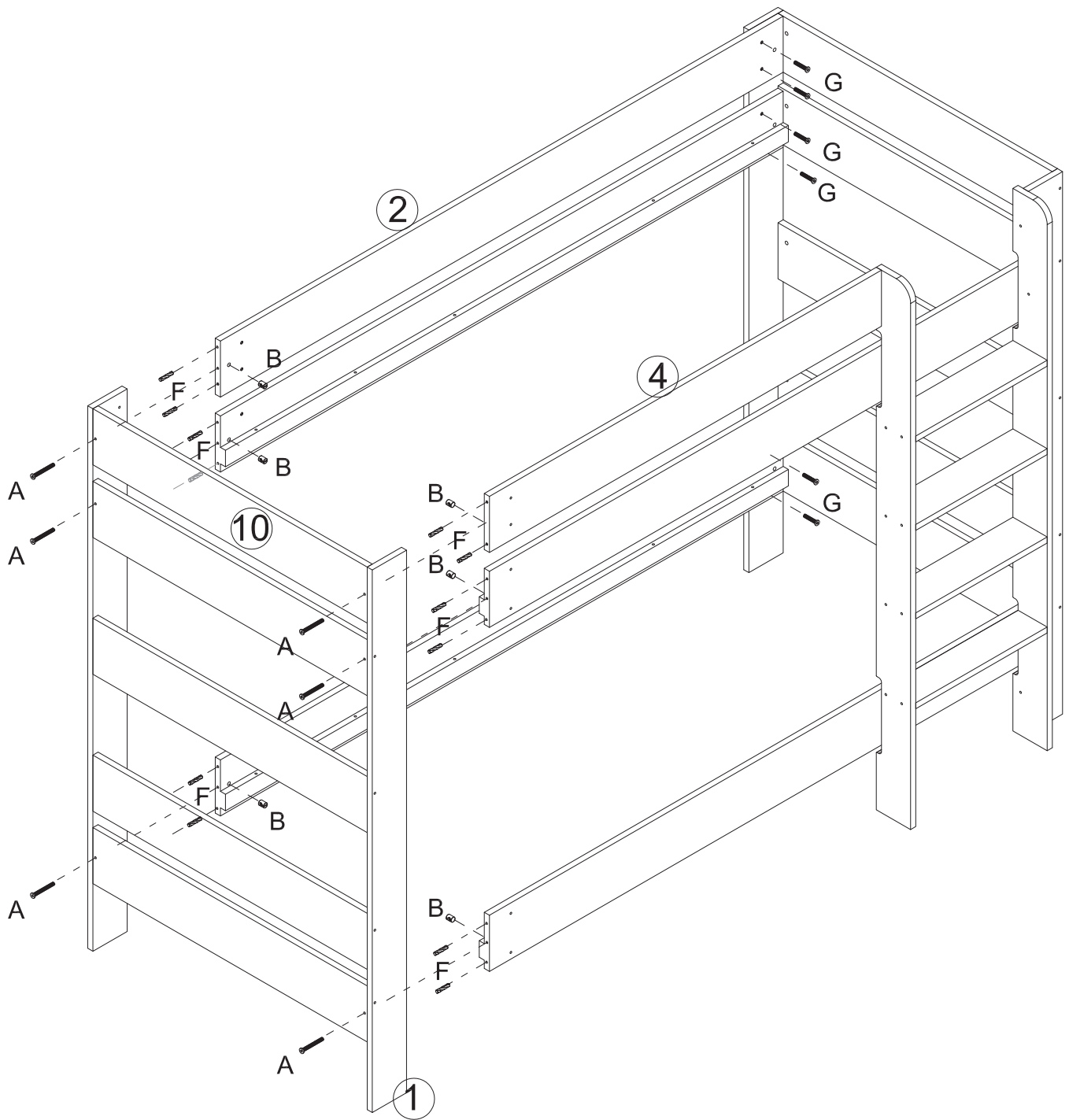
Step 5



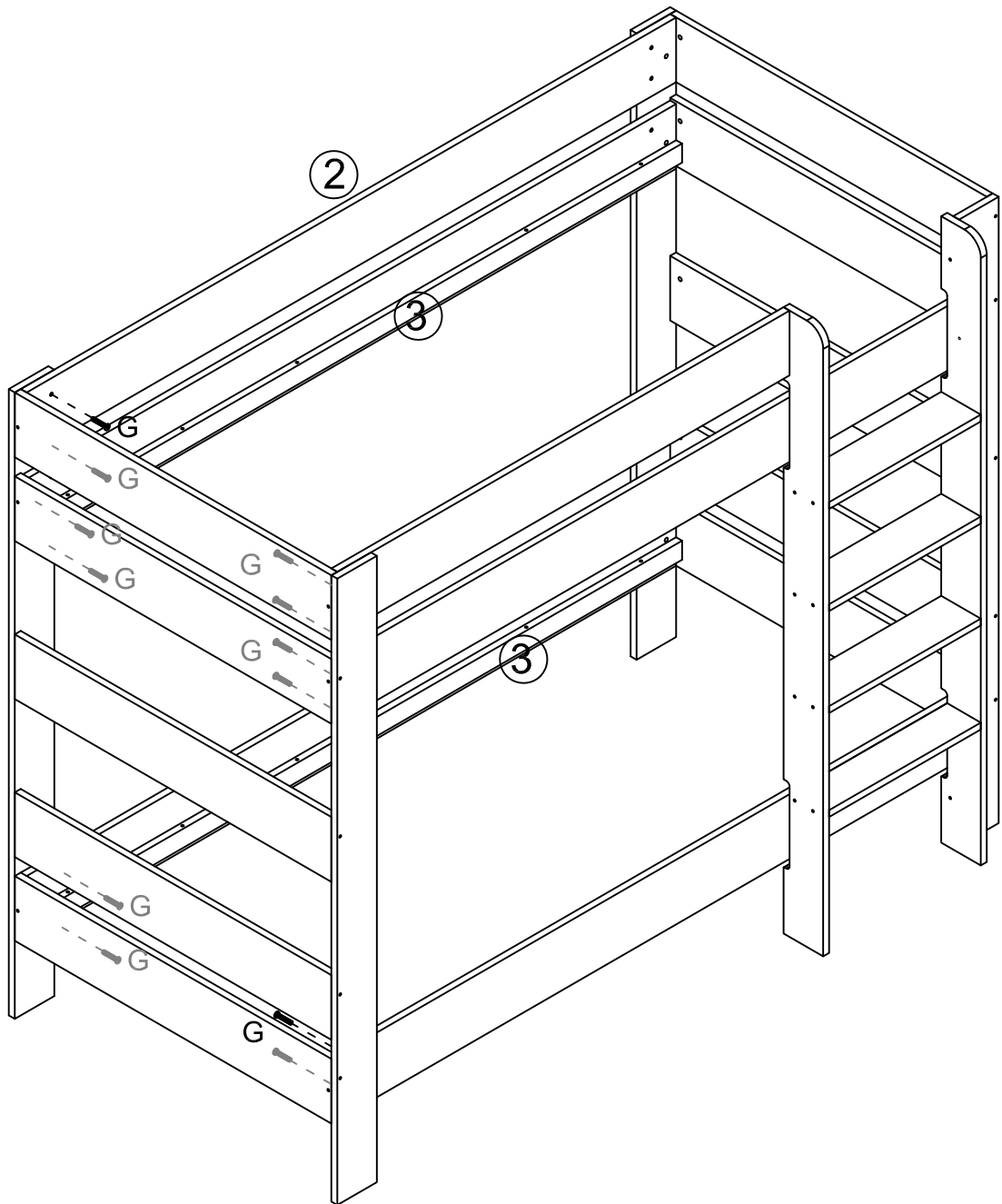
Step 6



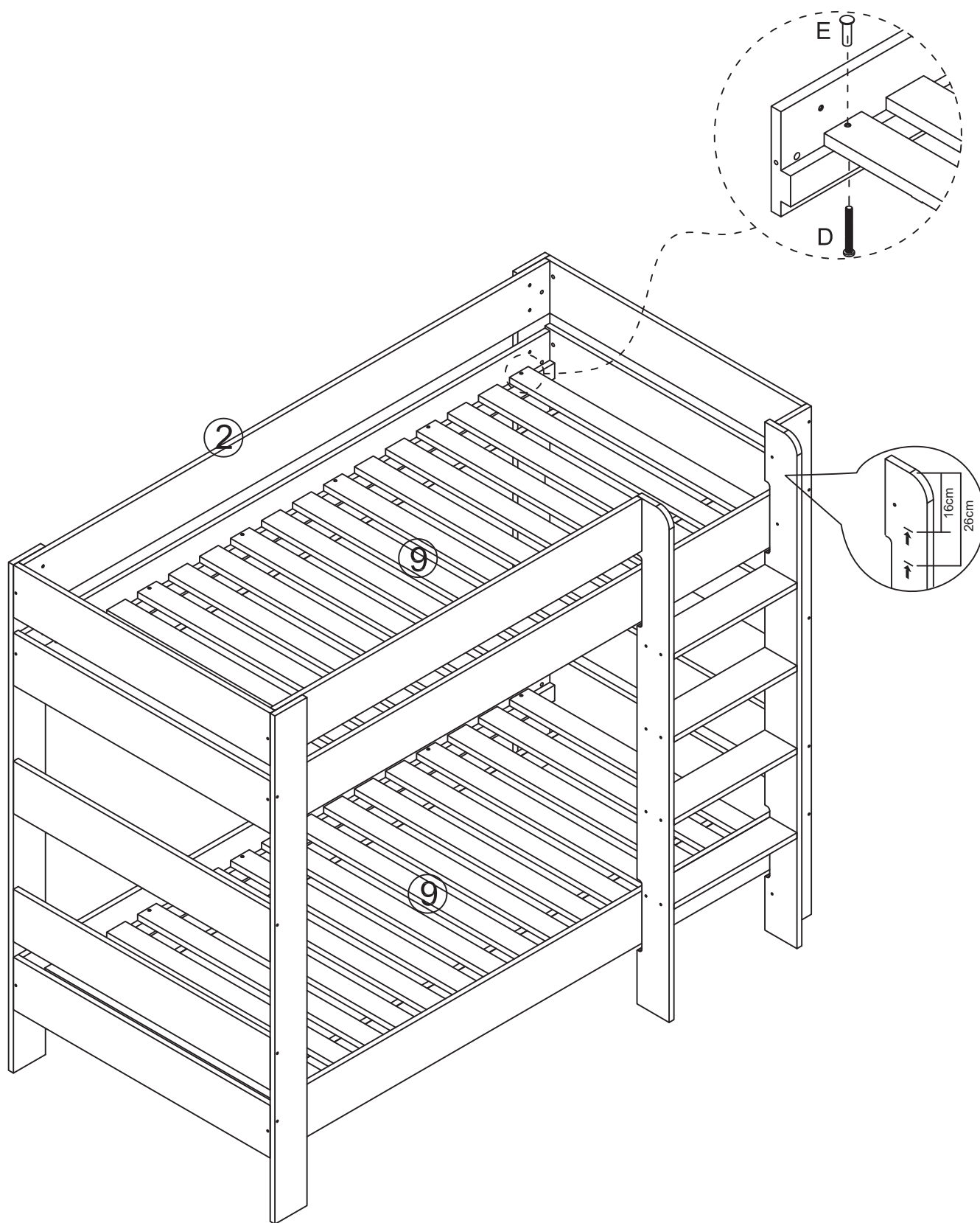
Step 7

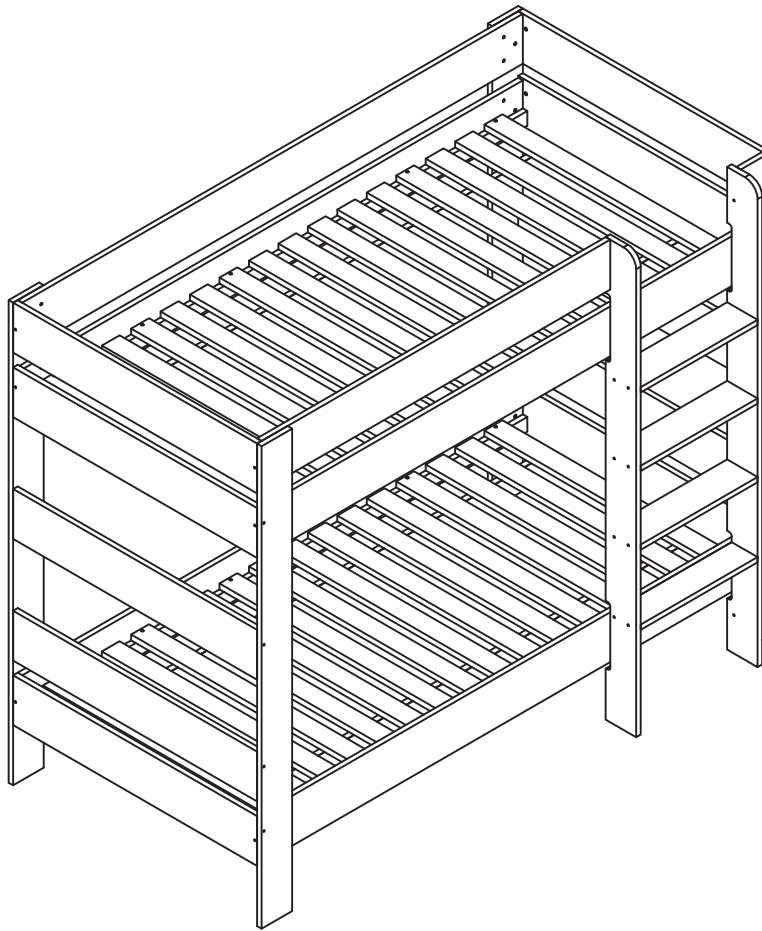


Step 8



Step 9





The unit is now complete, please read the user guide notes to maintain the unit to its highest standard.

Please dispose of all packaging safely.

General Care & Maintenance

Wipe clean with a slightly damp cloth.
Avoid the use of all household cleaners and abrasives.

Periodically check all screw & fixings to ensure they are secure.

When moving your product, carefully lift into place. Never drag or push the product across the floor as this will cause damage to the joints. If the product is used on hard flooring, such as wood or laminated floor, you must place some protection under the legs to stop the product from moving. If this is not adhered to, it could result in failure to the product that will invalidate the warranty.

For more information on cleaning and product care visit:
<https://www.happybeds.co.uk/help-and-advice>

Notes

In the unlikely event that you have problems putting this product together or have damaged or missing parts, please contact us by visiting:
<https://www.happybeds.co.uk/customer-service>