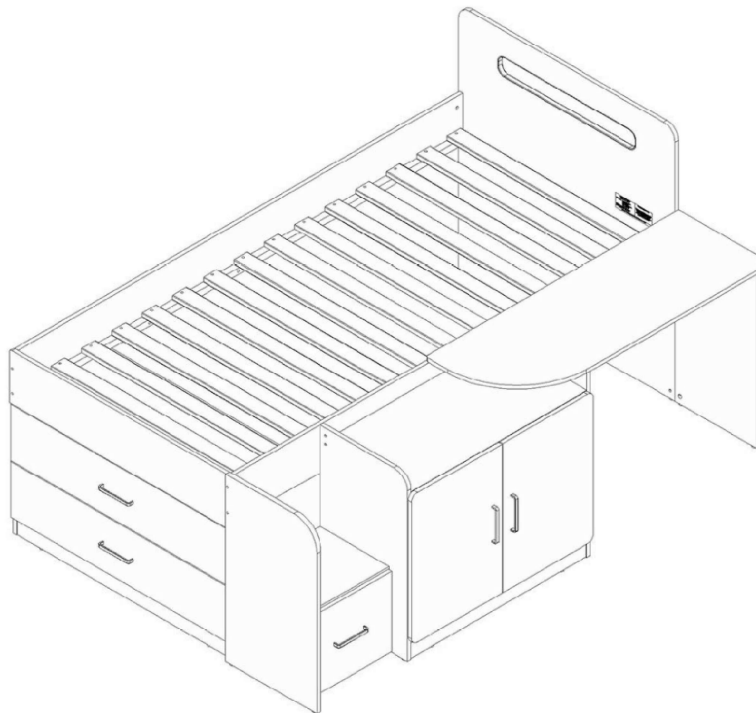




Assembly Instructions

Cookie Cabin Bed



Important before assembly:

Read these instructions carefully before assembling or using the product.

Please check the contents of the boxes before attempting to assemble this product. The instructions will have a checklist of parts and fittings.

It would be sensible to lay a rug or a carpet on the floor where you intend to assemble the product, to void scratches and damaging the product or the floor.

Assemble the product as close to its intended final location/room as possible.

Do NOT use any power tools as this may damage the frame.

Health & Safety:

This product or some parts of this product will be heavy. Please use an assistant when lifting.

DO NOT jump on the product or any of its parts.

DO NOT use this product if any parts are missing, damaged or worn.

DO NOT use this product unless all fixings are secured.

Please keep small parts out of reach of children.

Always use on a level, even surface.

Please keep these instructions for future reference.



(Not metal)

These tools are not necessary, but may help to assemble certain parts of the product.

Do NOT use any power tools as this may damage the frame.



This product or some parts of this product will be heavy. Please use an assistant when lifting.



Never drag or push the pieces across a hard or stone floor as this will cause damage to the joints. Use a carpet or a rug for extra care.

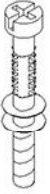


If you have problems assembling or have damaged or missing pieces, please contact us by visiting:

<https://www.happybeds.co.uk/customer-service>

HARDWARE

A



Cam Stud

47PCS

B



Cam

50PCS

C



M8 x 50mm

3CS

D



M8 x 25mm

90PCS

E



M4 x 38mm

12PCS

F



M4 x 22mm

8PCS

G



M3.5 x 14mm

46PCS

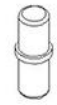
N



M4 x 20mm

10PCS

P



M5 x 15mm

4PCS

Q



M6 x 13mm

3PCS

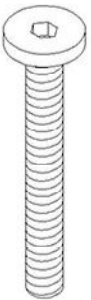
R



M6 Round Nut

12PCS

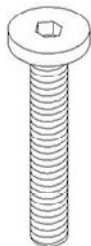
S



M6 x 50mm

12PCS

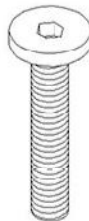
T



M6 x 40mm

2PCS

U



M6 x 35mm

10PCS

V



M6 x 30mm

30PCS

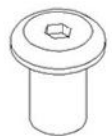
W



M6 x 25mm

2PCS

X

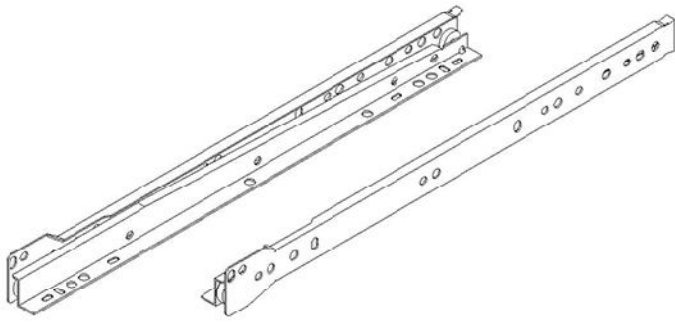


M6

6PCS

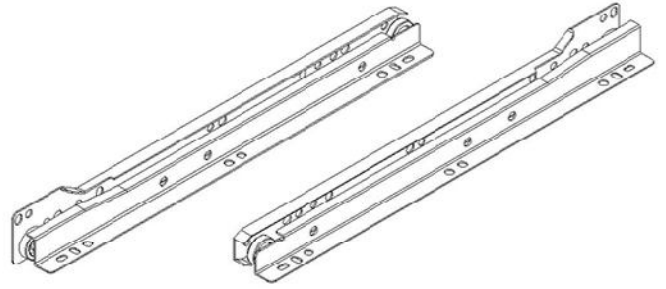
HARDWARE

H



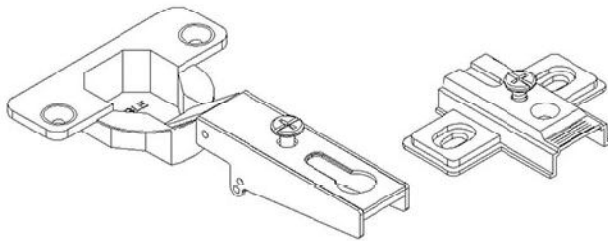
14" Drawer Slide
2 SET

J



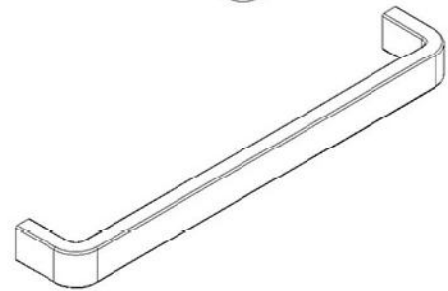
10" Drawer Slide
1 SET

K



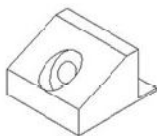
Hinges Arm (VSV)
4 SET

M



Handle
5PCS

L



PVC Back Support
8PCS

Y



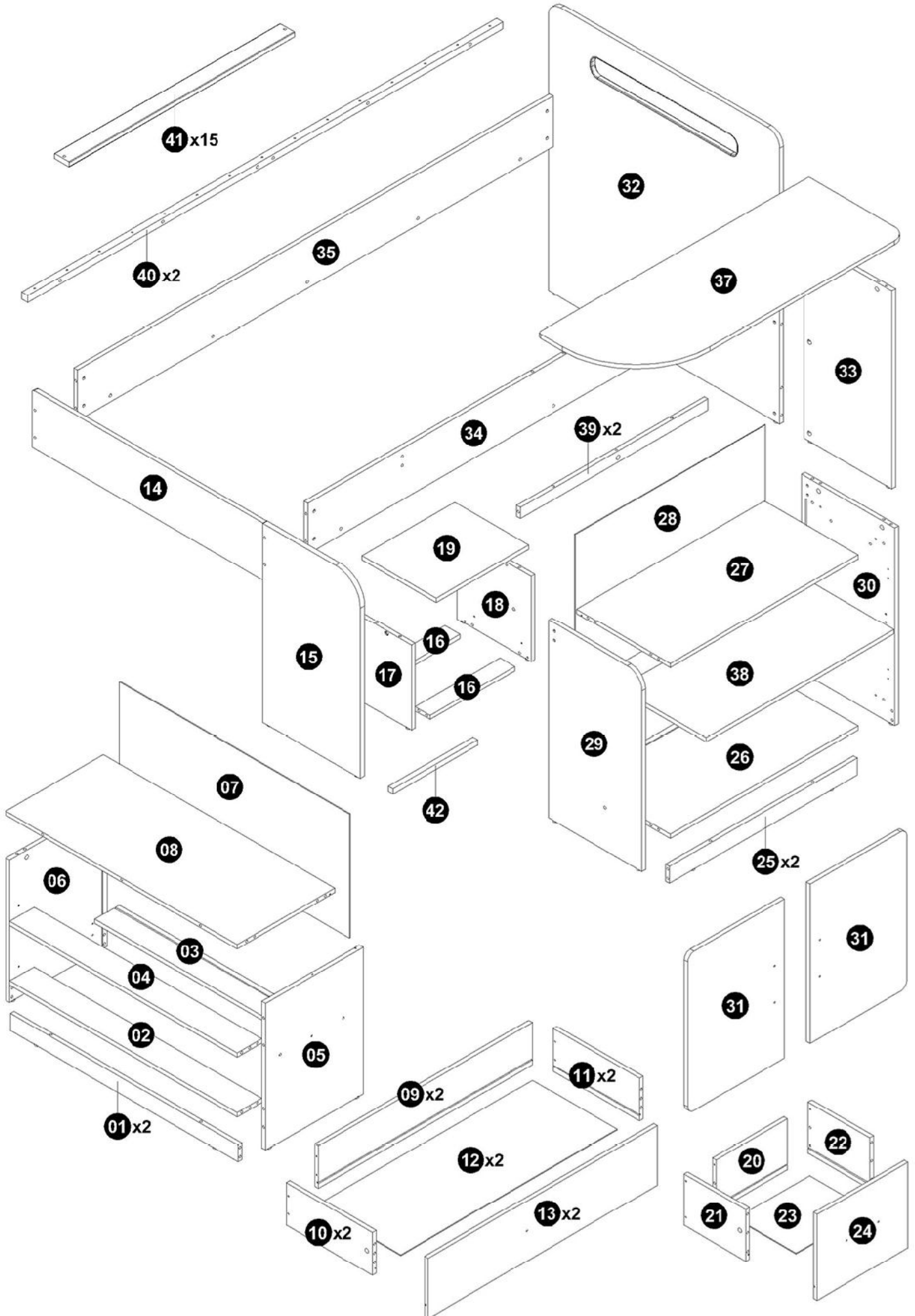
M4
2PCS

Z



Sticker
8PCS

PARTS



IMPORTANT INFORMATION

WARNING: This bed is not suitable for children under 4 years.

WARNING: Do not place this child's bed near heat sources, windows and other furniture.

WARNING: Do not use this Child's Bed if any part is broken, torn or missing.

It is recommended that you always follow the manufacturer's instructions to assemble this product.

This product is intended for use by children over 4 years of age.

Children are likely to play, bounce, jump and climb on beds, therefore the child's bed should not be placed too close to other furniture or windows, blind cords, curtain pulls or other strings or cords and should be placed either tight to the wall or have a gap of 300mm between the wall and side of bed.

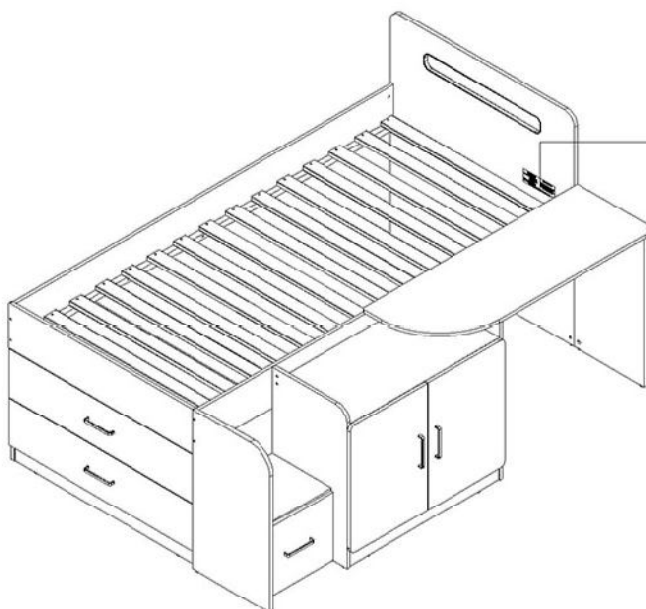
This bed may be dismantled for storage or transportation but checks must be made to ensure parts are not damaged before re-assembling. Replacement parts can be obtained from Julian Bowen Limited where available and at an additional cost.

Recommended Mattress Size: 90cm x 190cm (UK Single) with a depth of no more than 23cm.

It is necessary to frequently ventilate the room in order to keep the humidity low and to prevent mould in and around the bed.

Please periodically check all the fixings of the item and re-tighten when necessary.

This item conforms to British Safety Standards – BS8509:2008 + A1:2011



COOKIE CABIN BED	CERTIFICATION LABEL
Product Code - COO101 Distributed by : Julian Bowen Limited Bentnick House, Park Lane Business Park, Kirby-in-Ashfield, Notts, NG17 9LE Factory ID: Manufactured in Malaysia Date of Manufacture: January 2017	This childrens bed has been tested by an independent laboratory and is in compliance with BS8509:2008 + A1:2011 - Standard Consumer Safety Specification For Junior Beds
WARNING: This bed is not suitable for children under 4 years	

Safety Advice

Please take the time to carefully read through the whole of these instructions before you commence.

Keep these instructions for future reference.

Unpack, inspect and check off all of the contents.

Please dispose of all packaging safely.

Small component parts could choke a child if swallowed.

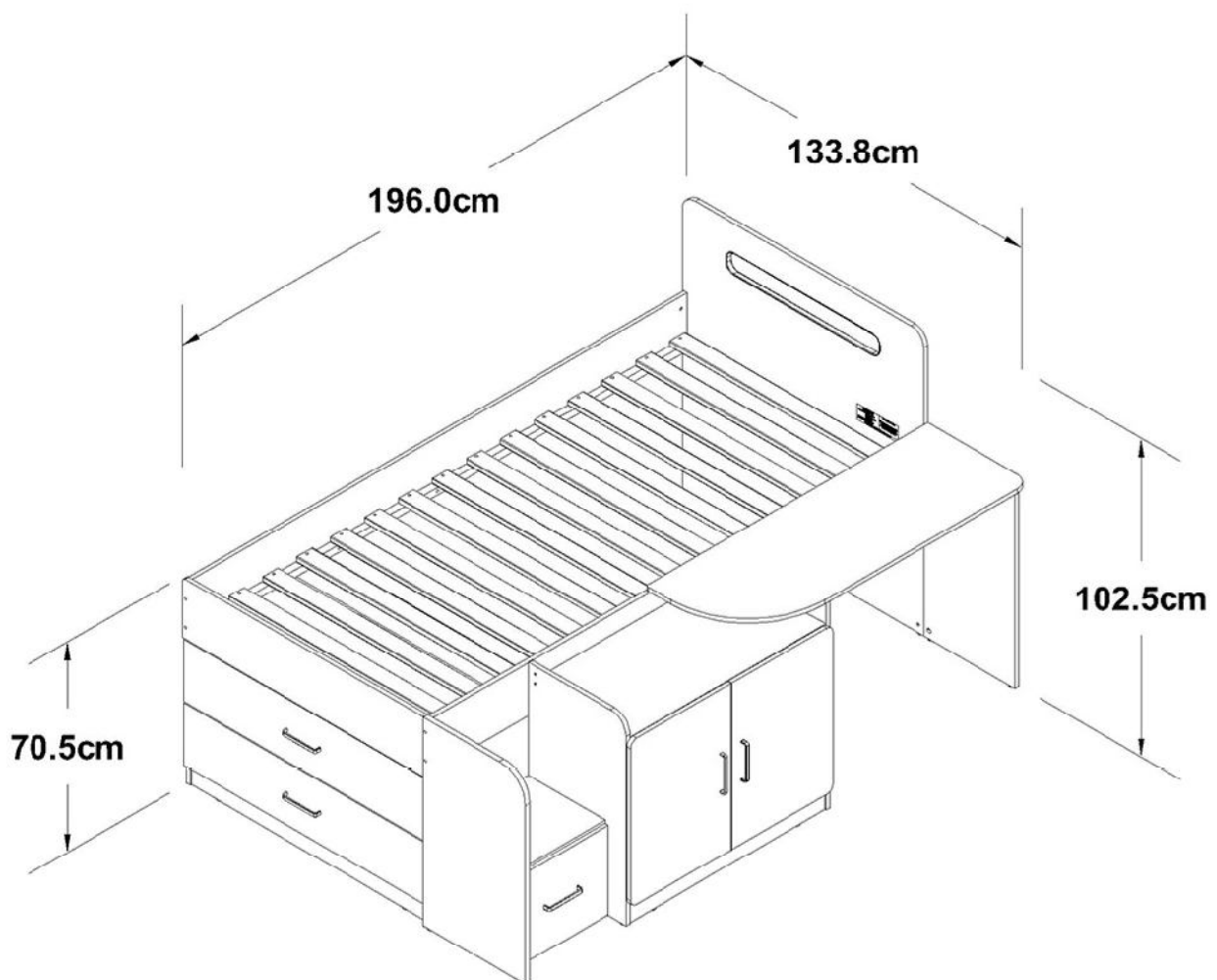
We strongly recommend that you keep children well away from the work area.

It would be sensible to lay a sheet or blanket on the floor where you intend to work to avoid scratching this product and to protect your floor.




This product is heavy. Take extreme care when lifting to avoid personal injury or damage to the product.

Assemble the product as close to its intended final position in the room as possible.

HANDY HINT: If you keep the hardware in a bowl during assembly you will be less likely to lose them.



1




	A x 4
	B x 4
	D x 8

13 x 2

10 x 2

11 x 2

WHEN FITTING CAMS
ENSURE STARTING POSITION IS CORRECT
BEFORE YOU INSERT CONNECTING BOLT
TURN CLOCKWISE UNTIL SECURE


✓  **CORRECT**   **WRONG** ✗

↑ **A**

↑ **A** **A** **A**

D

2

	E x 8
--	-------

3

10

09

11

E

12

Do This Step 2 Times



Do This Step 2 Times

4

13

x 2

5

	M x 2
	N x 4

13

M

N

N

Do This Step 2 Times

Do This Step 2 Times

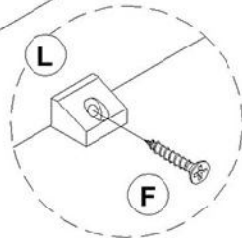
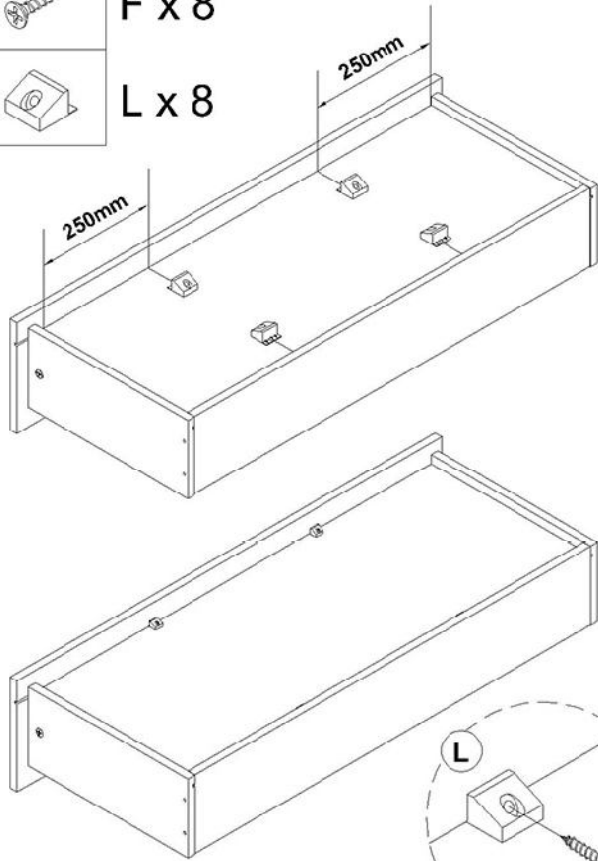
6



F x 8



L x 8



Do This Step 2 Times

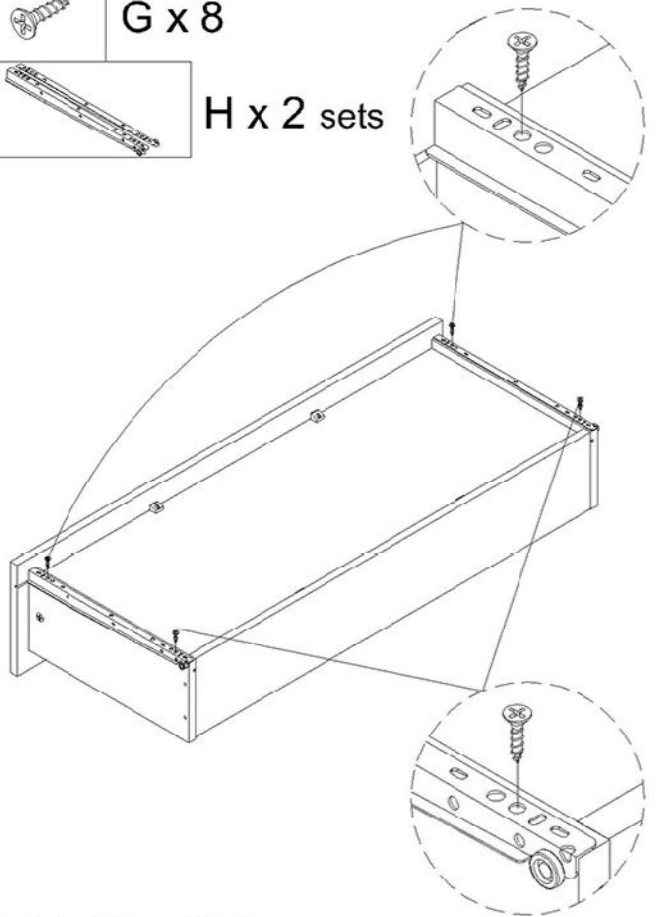
7



G x 8



H x 2 sets



Do This Step 2 Times

8



B x 4



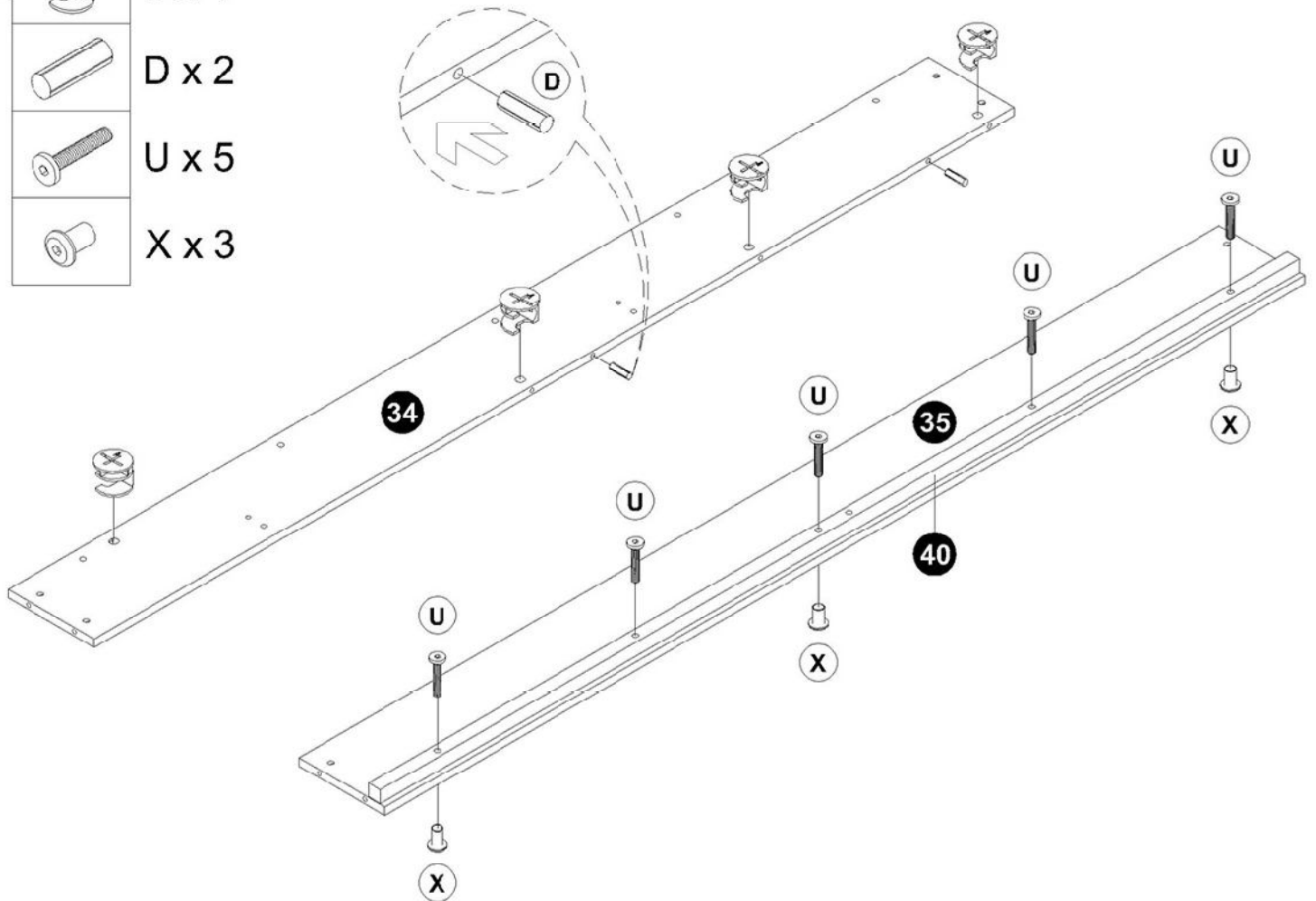
D x 2



U x 5

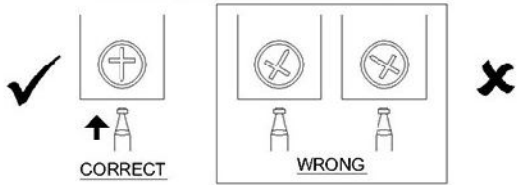


X x 3

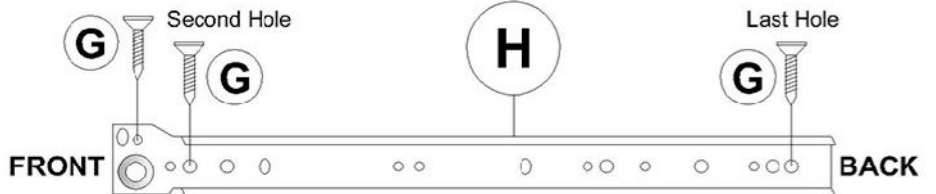


WHEN FITTING CAMS

ENSURE STARTING POSITION IS CORRECT
BEFORE YOU INSERT CONNECTING BOLT
TURN CLOCKWISE UNTIL SECURE



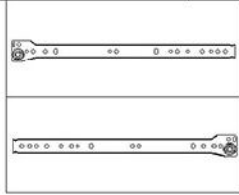
To Assembly the Drawer Slide, Please Follow Step as Below



9



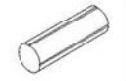
A x 11



H x 2 sets



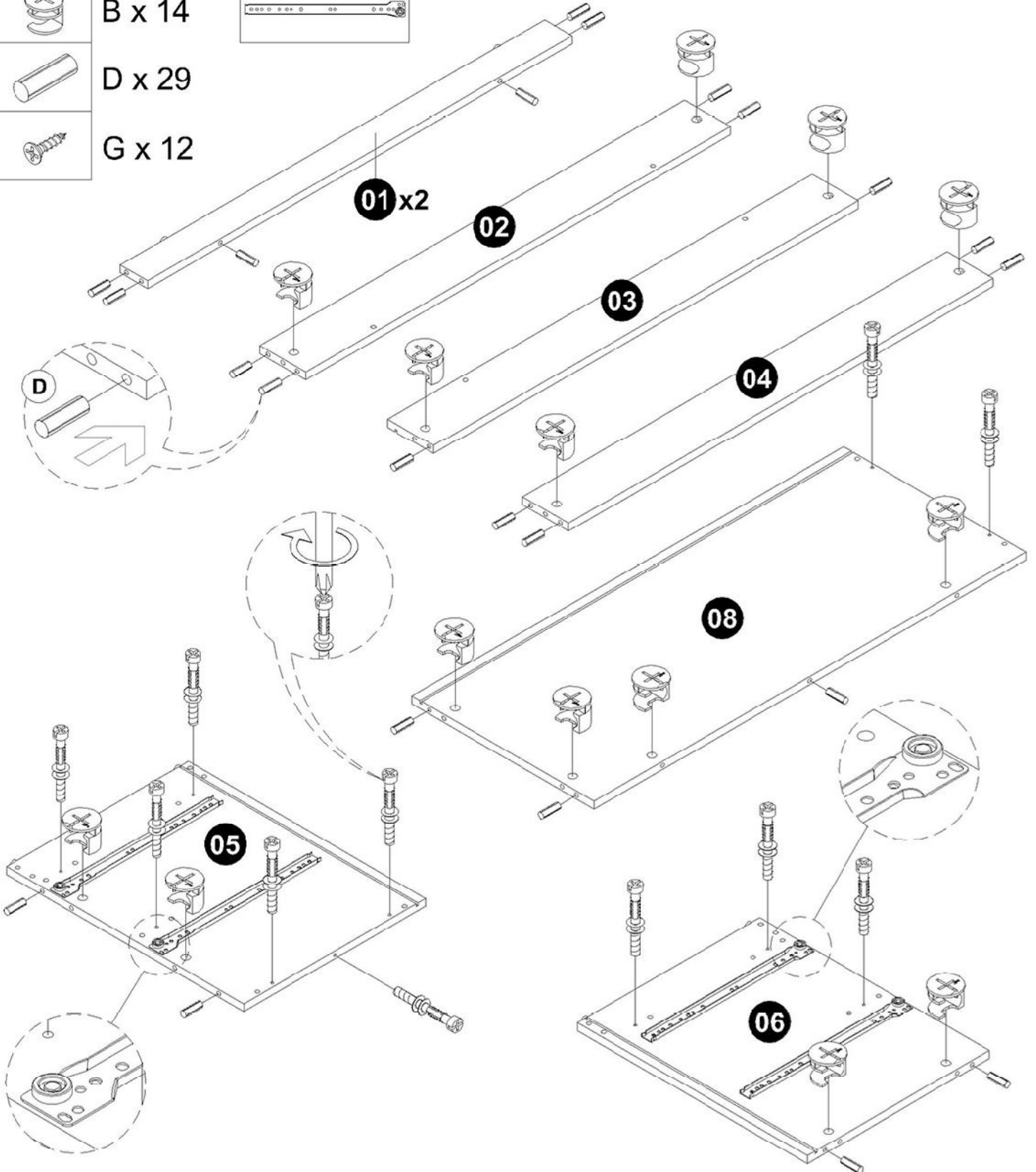
B x 14



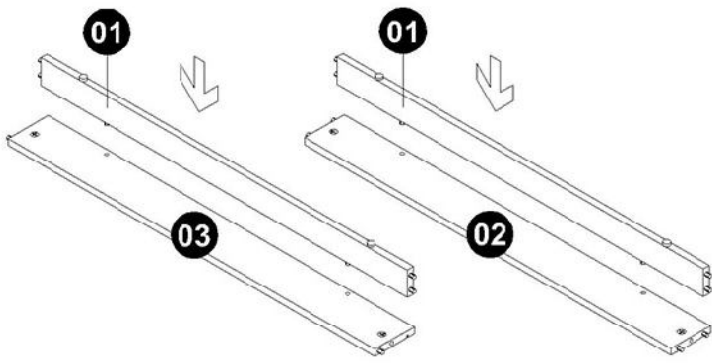
D x 29



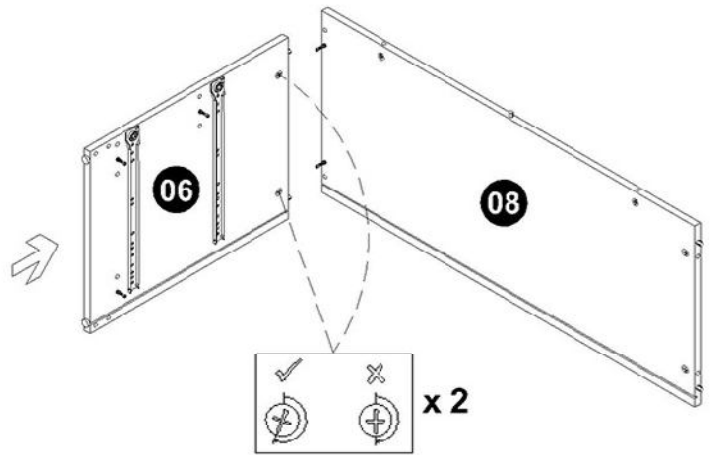
G x 12



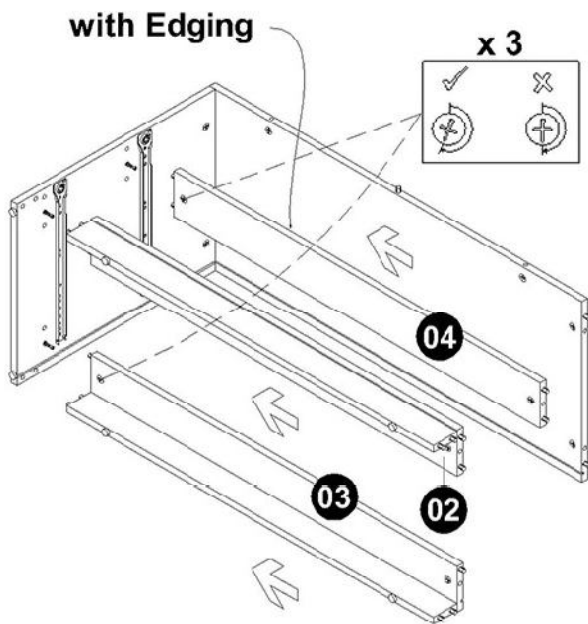
10



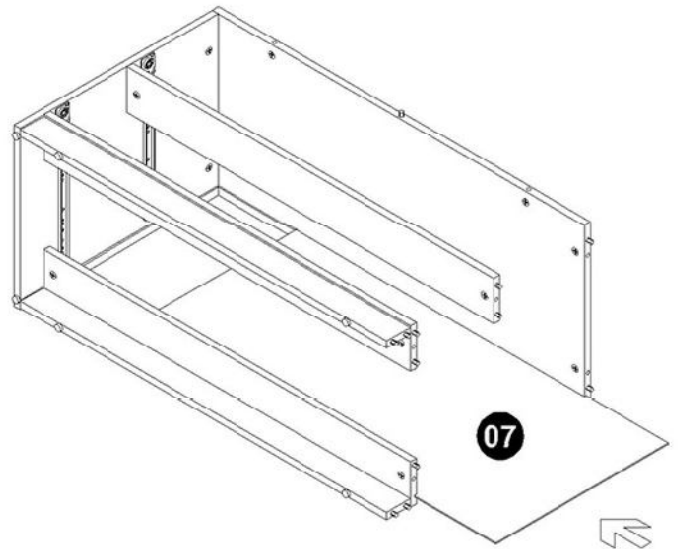
11



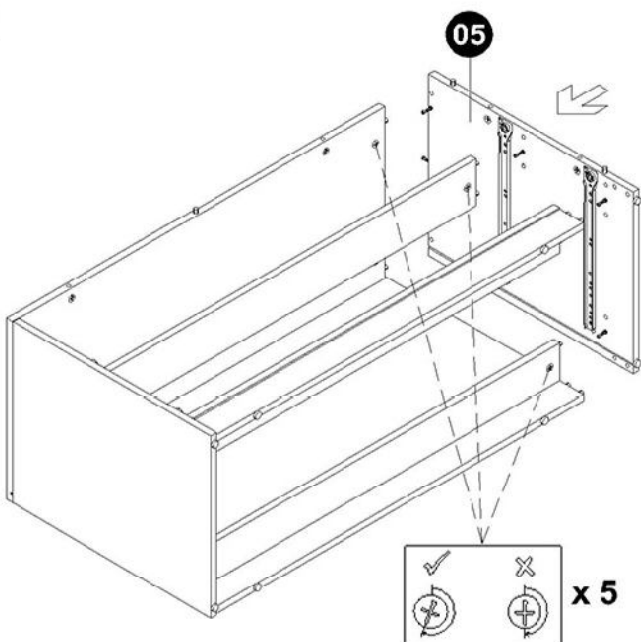
12



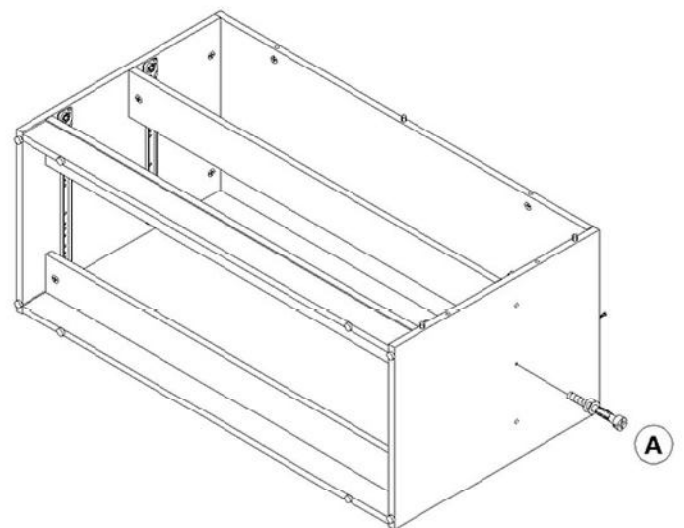
13



14

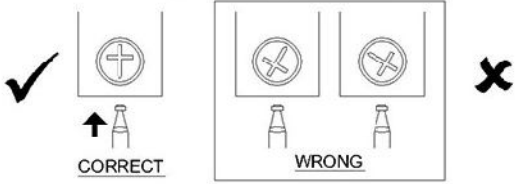


15

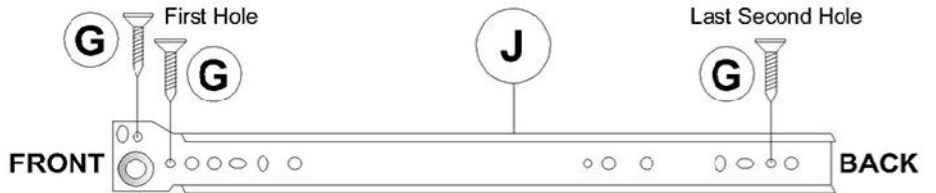


WHEN FITTING CAMS

ENSURE STARTING POSITION IS CORRECT
BEFORE YOU INSERT CONNECTING BOLT
TURN CLOCKWISE UNTIL SECURE



To Assembly the Drawer Slide, Please Follow Step as Below



16



A x 12



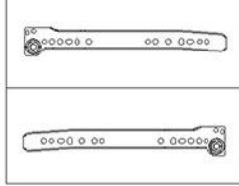
B x 9



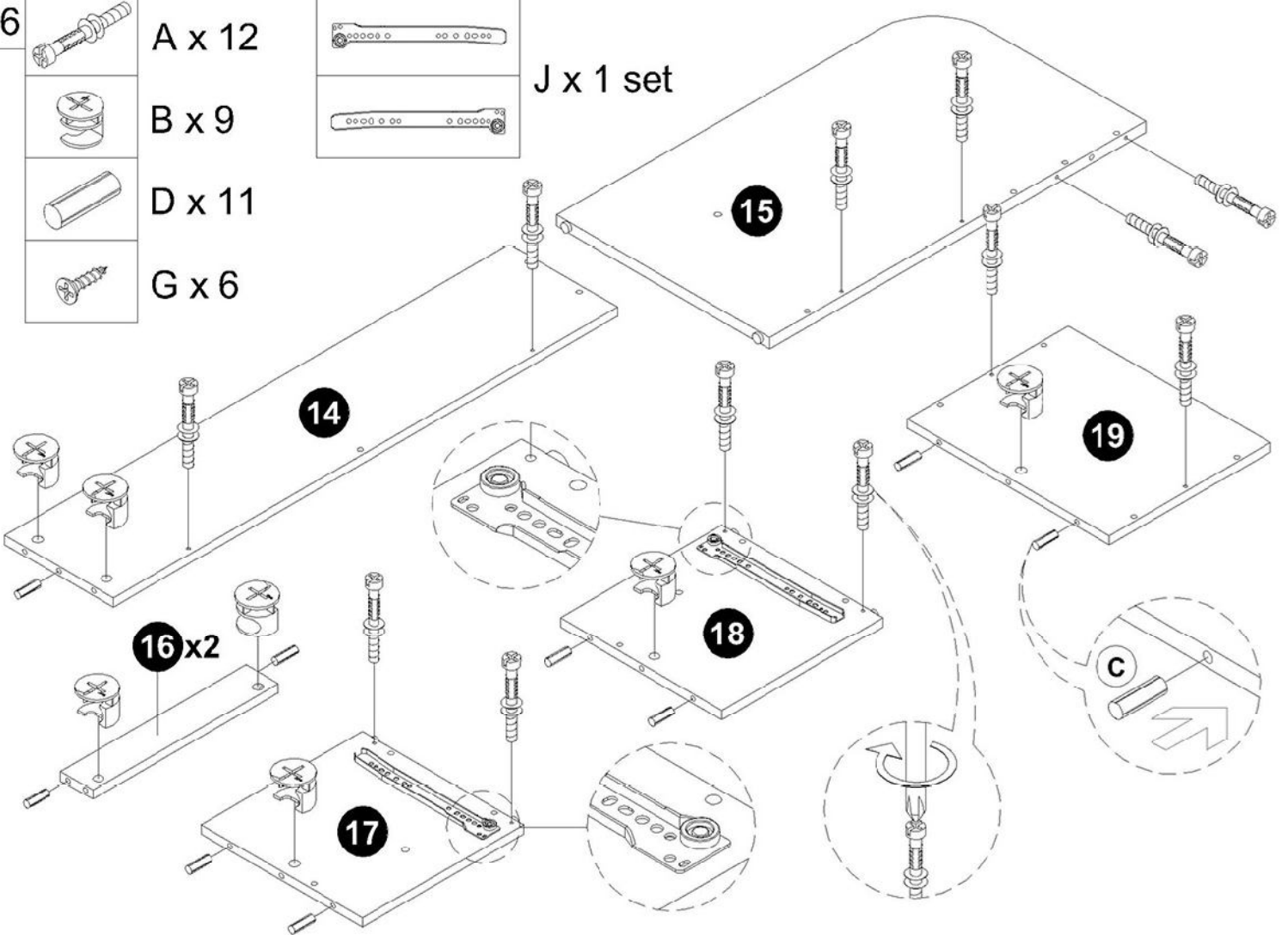
D x 11



G x 6



J x 1 set

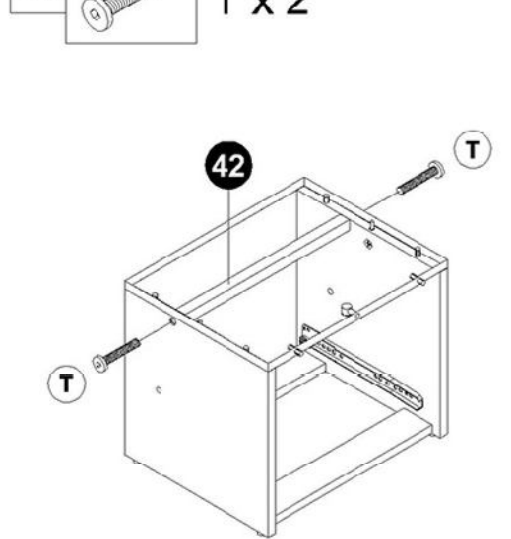
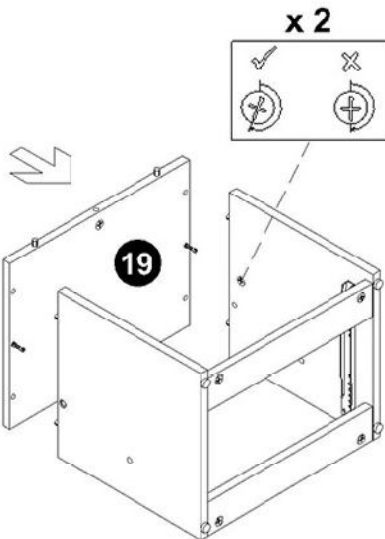
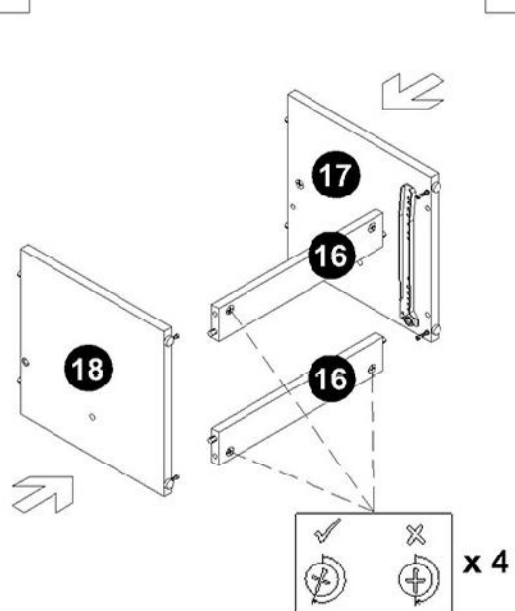


17

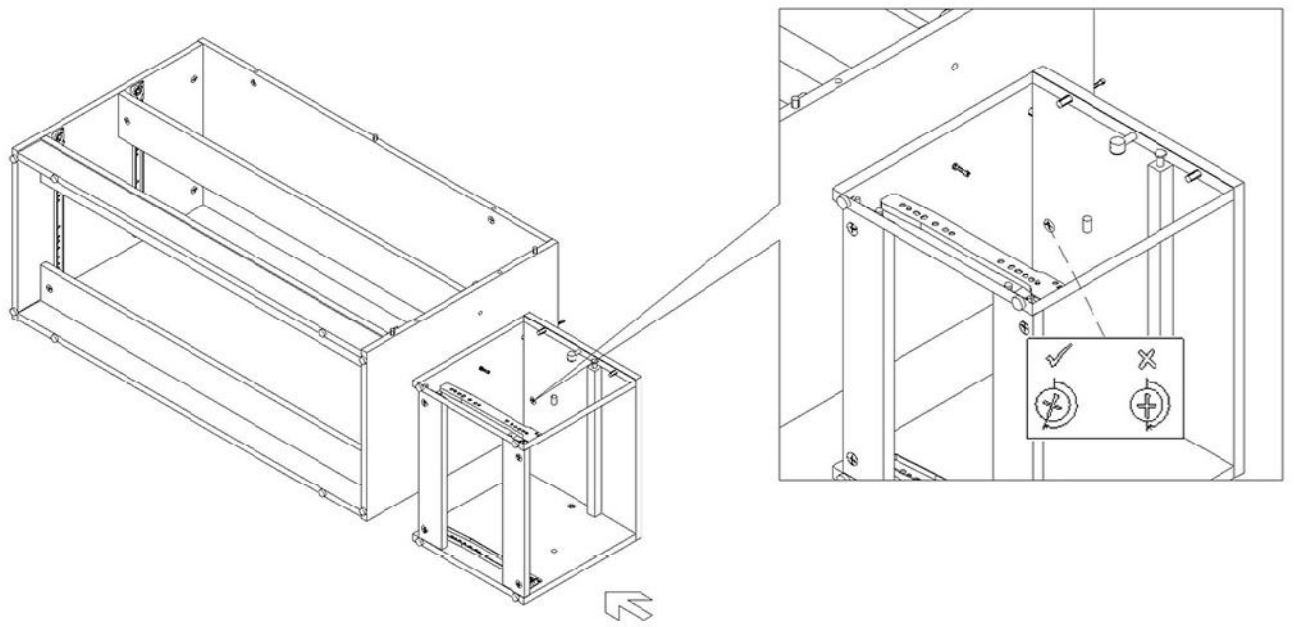
18

19

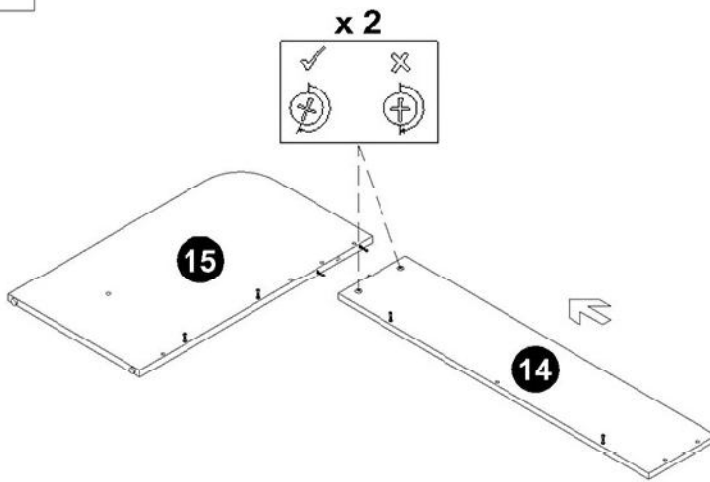
T x 2



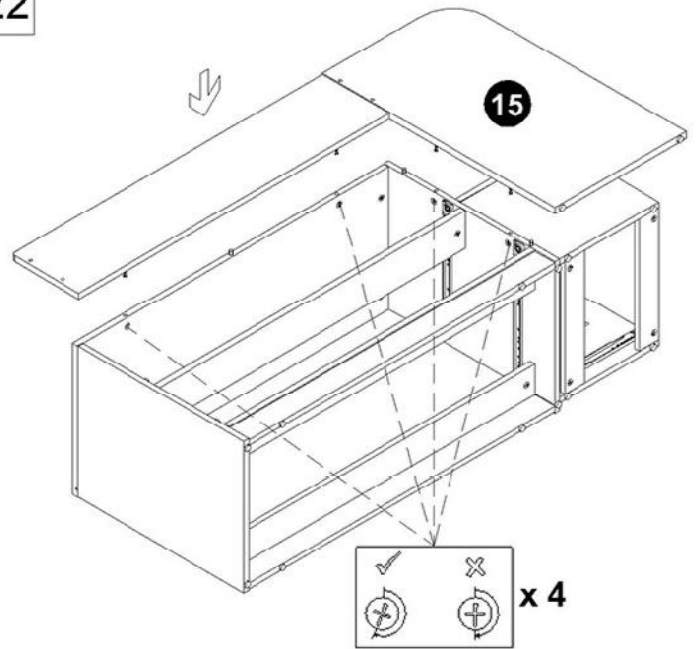
20



21



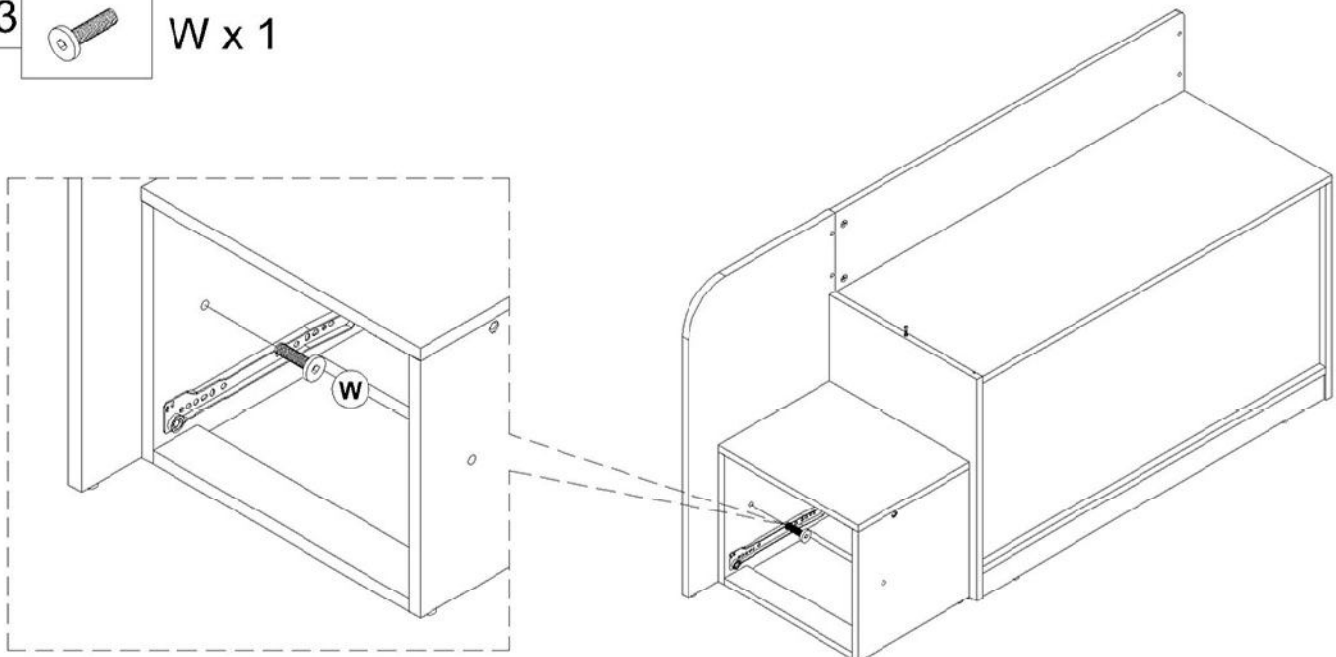
22



23



W x 1



24



A x 10



K x 4



B x 12



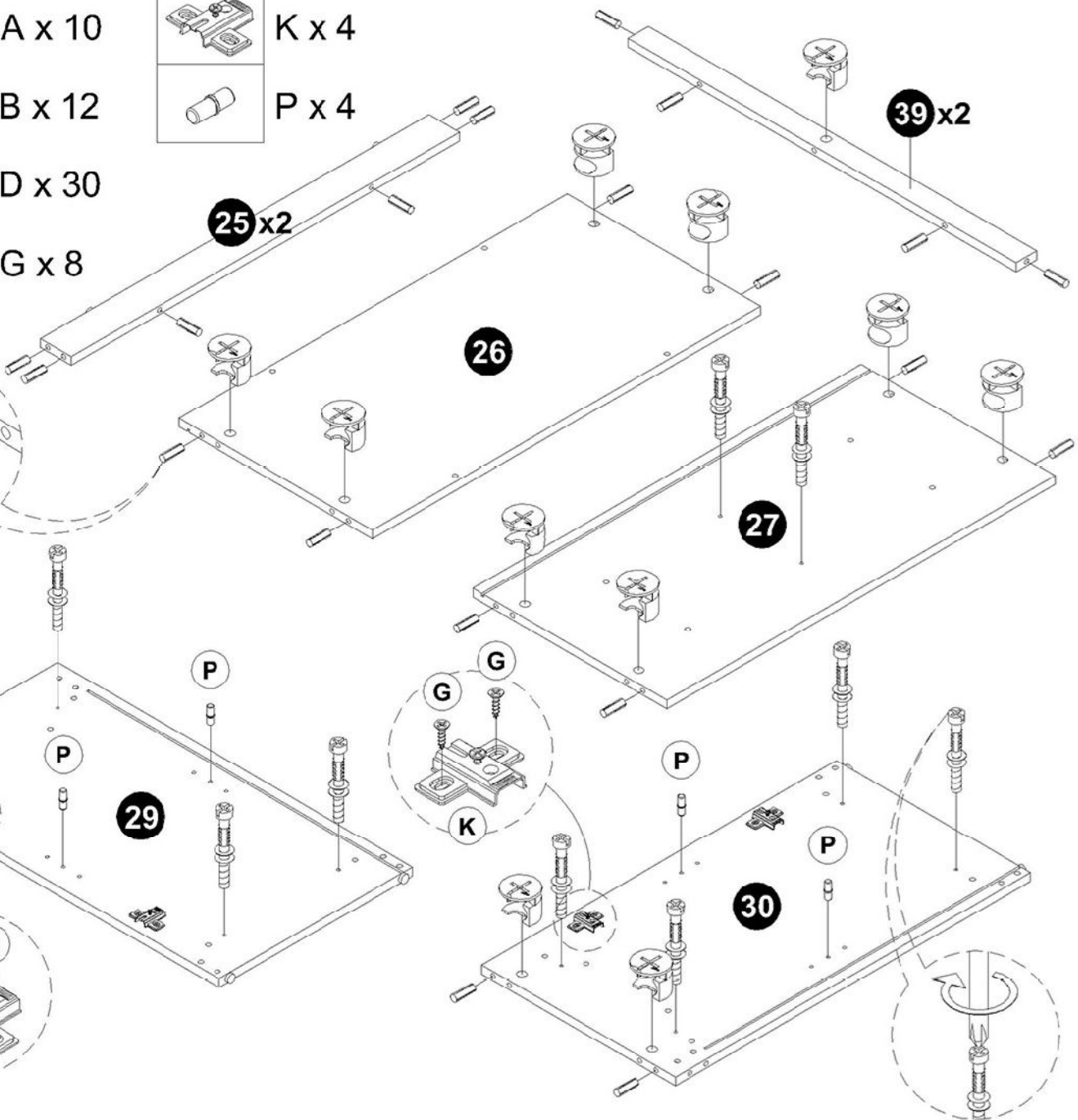
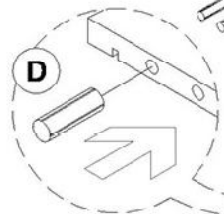
P x 4



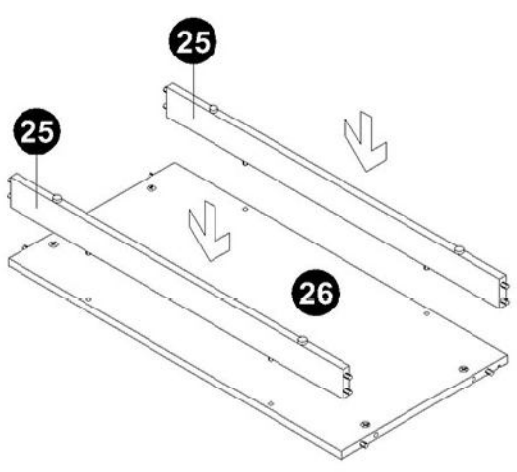
D x 30



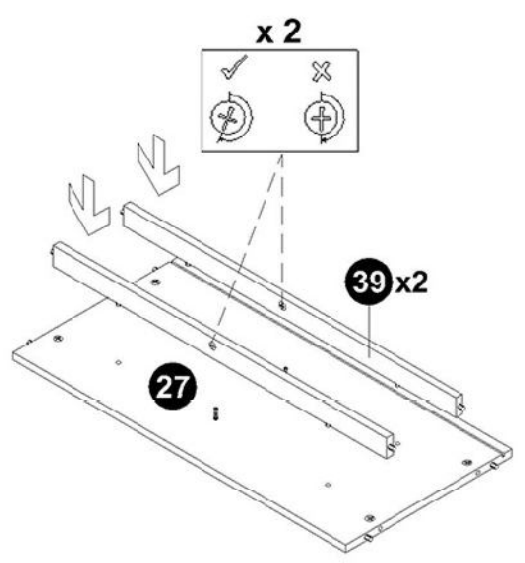
G x 8



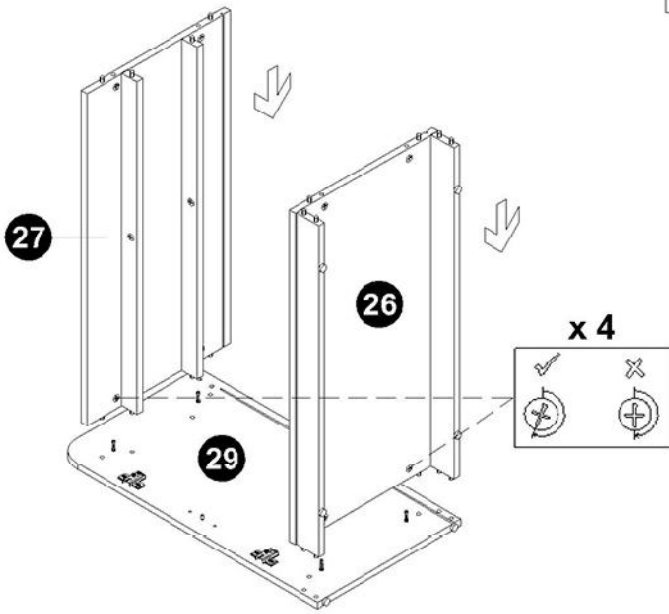
25



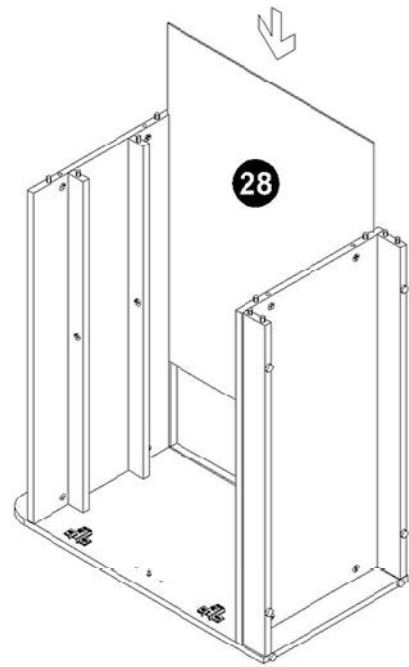
26



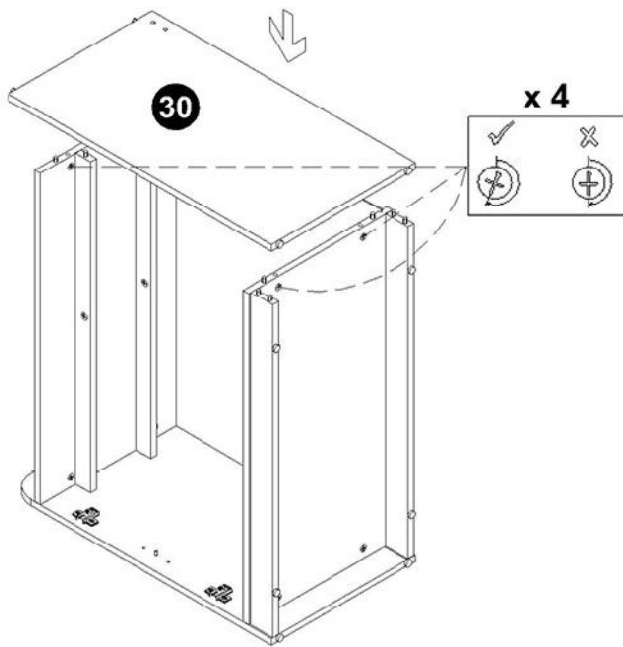
27



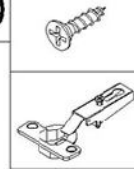
28



29

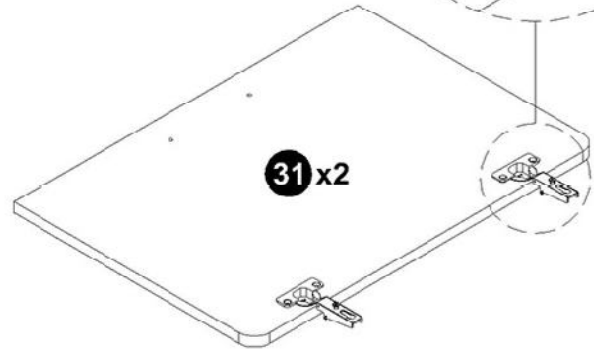
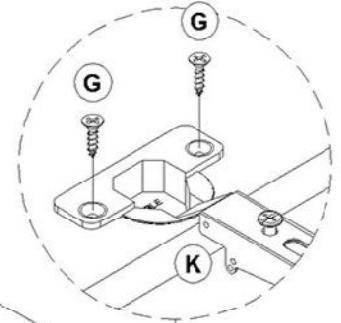


30



G x 8

K x 4



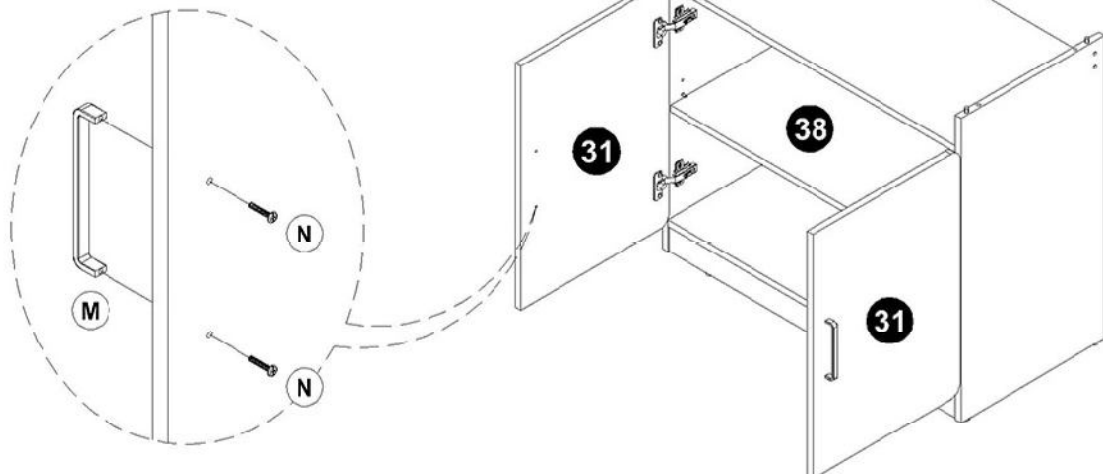
31






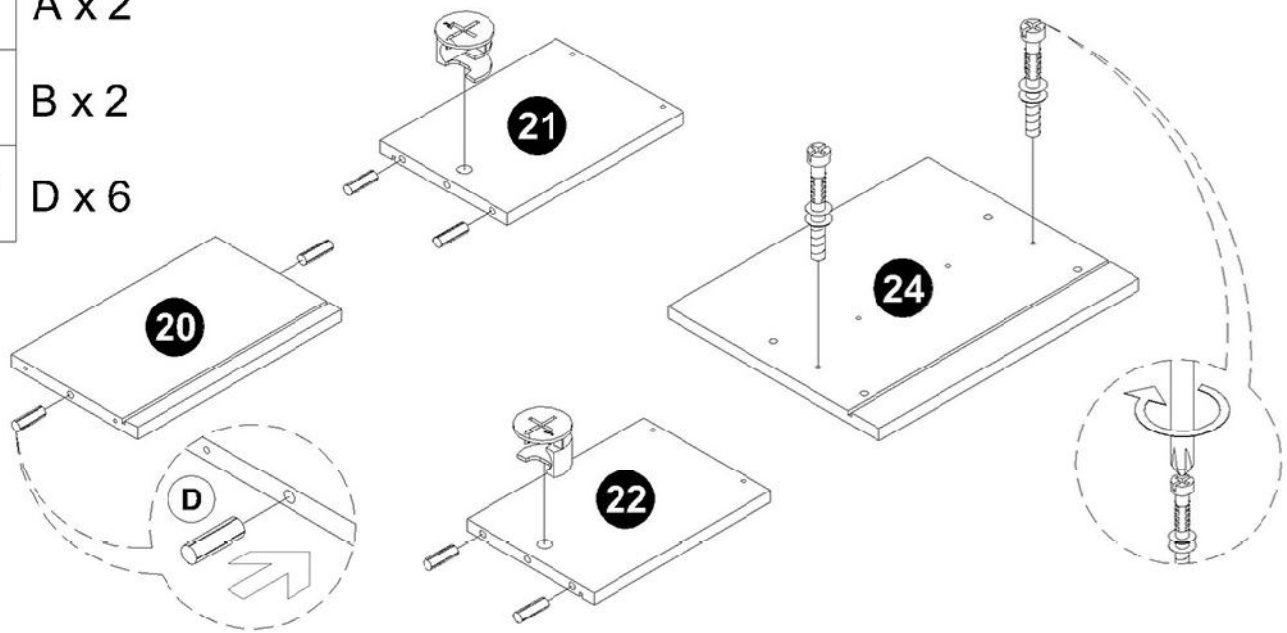
M x 2




N x 4



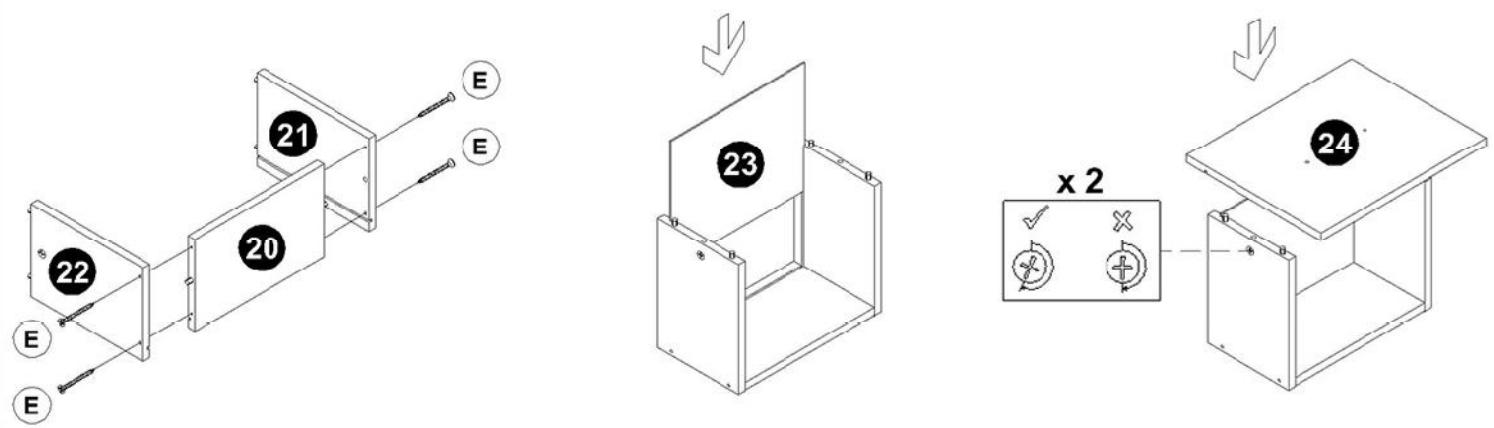
- 32  A x 2
-  B x 2
-  D x 6







- 33  E x 4

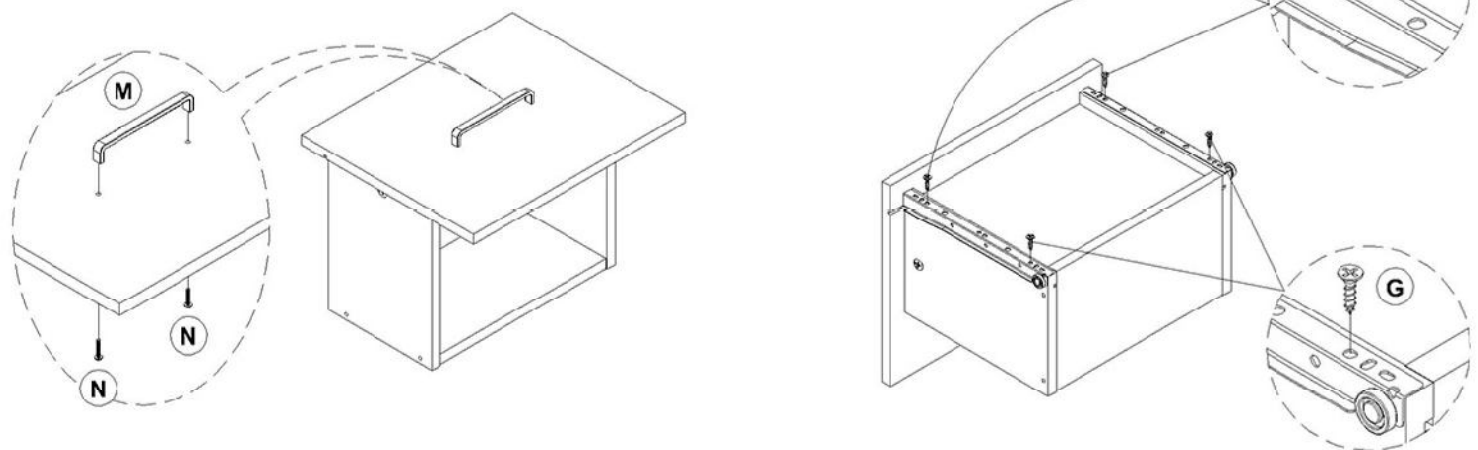
34

35

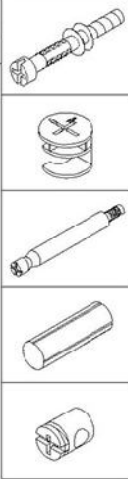


- 36  M x 1
-  N x 2

- 37  G x 4
-  J x 1 set



38



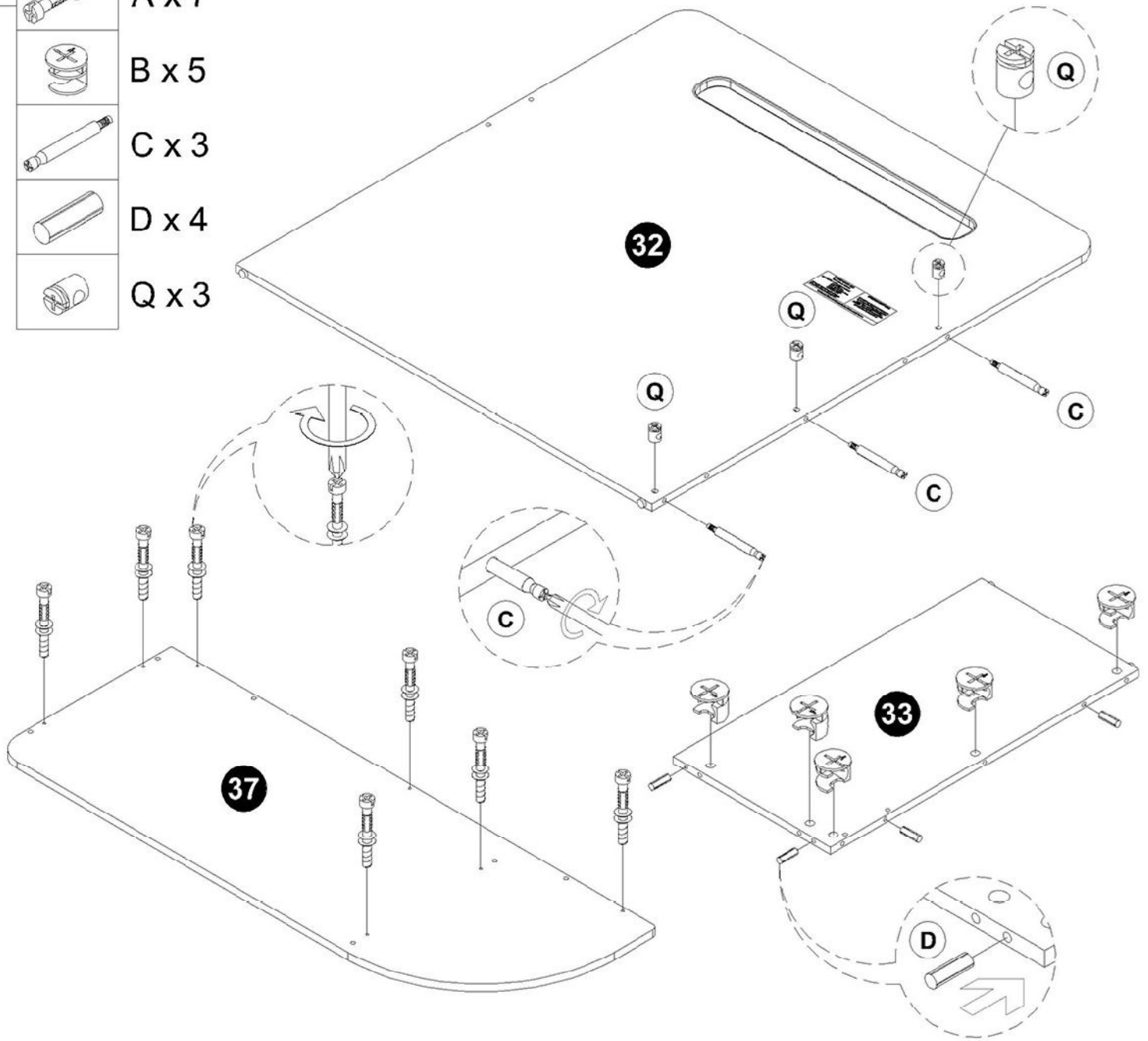
A x 7

B x 5

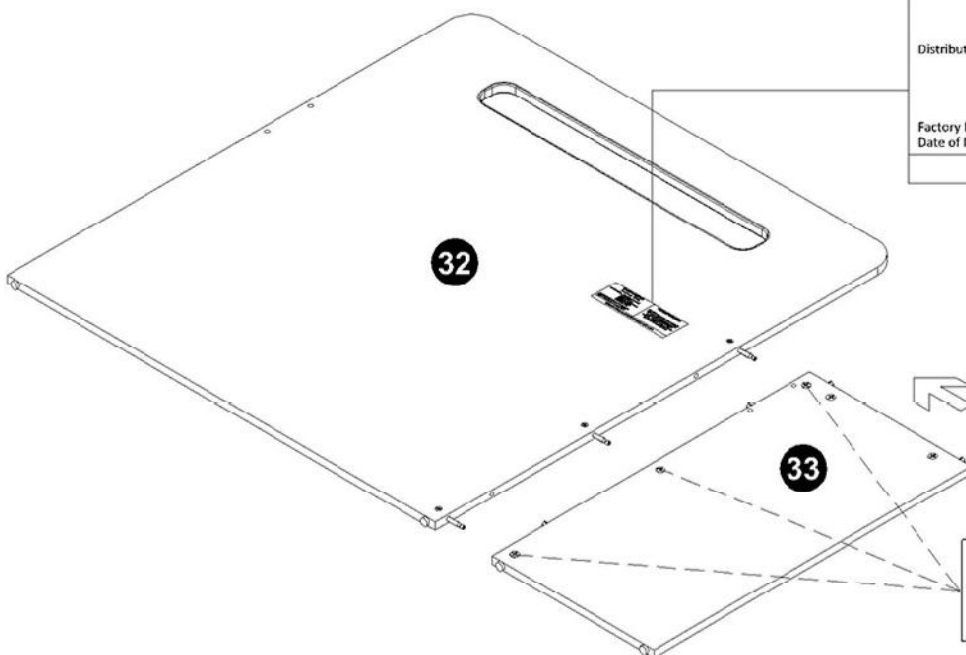
C x 3

D x 4

Q x 3

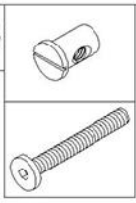


39



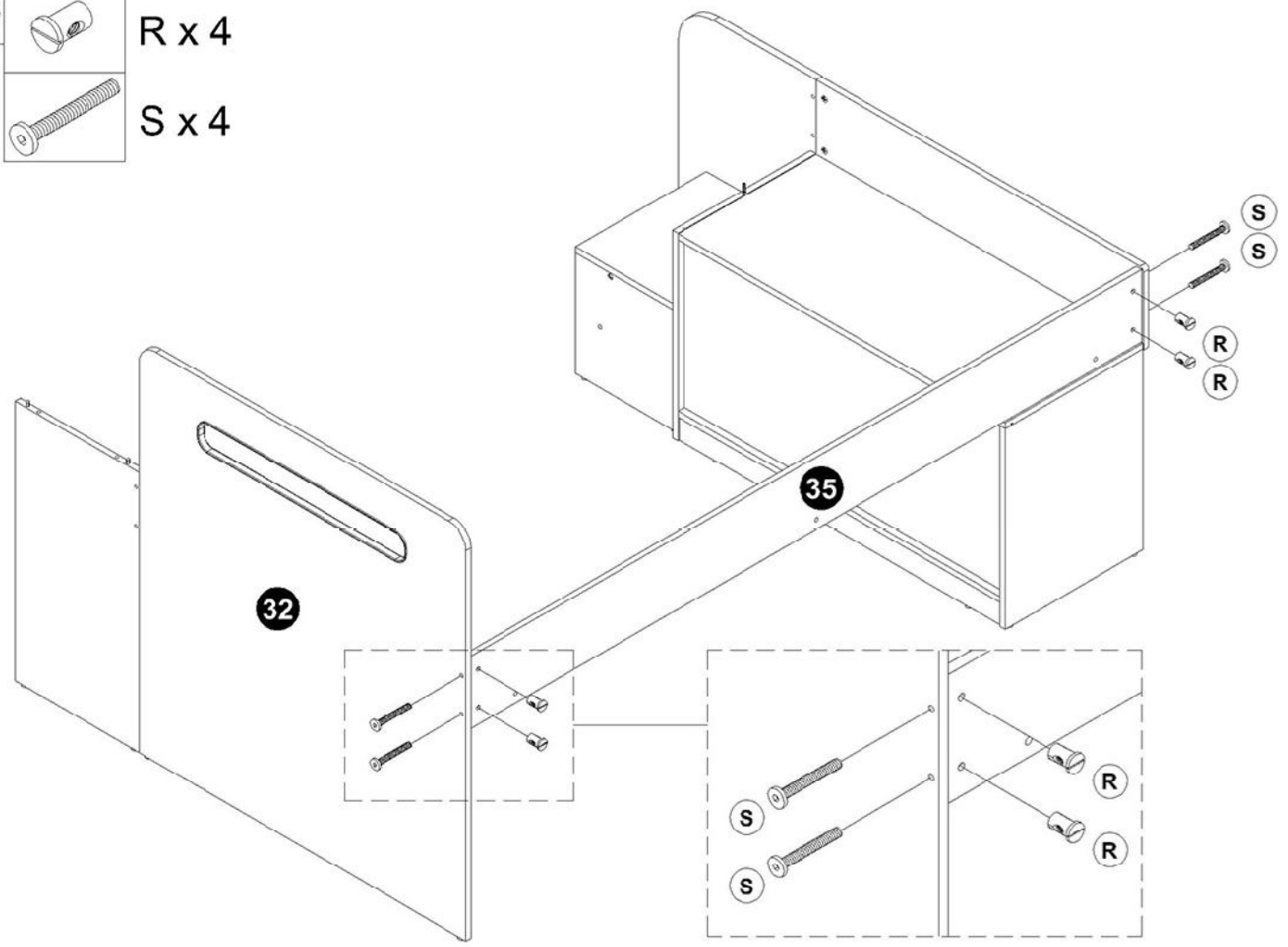
<p>COOKIE CABIN BED Product Code - COO101 Distributed by: Julian Bowen Limited Bentinck House, Park Lane Business Park, Kirby-in-Bishfield, Notts. NG17 9LE Factory ID: Manufactured in Malaysia Date of Manufacture: January 2017</p>	<p>CERTIFICATION LABEL This childrens bed has been tested by an independent laboratory and is in compliance with BS8509:2008 + A1:2011 - Standard Consumer Safety Specification For Junior Beds</p>
<p>WARNING: This bed is not suitable for children under 4 years</p>	

40

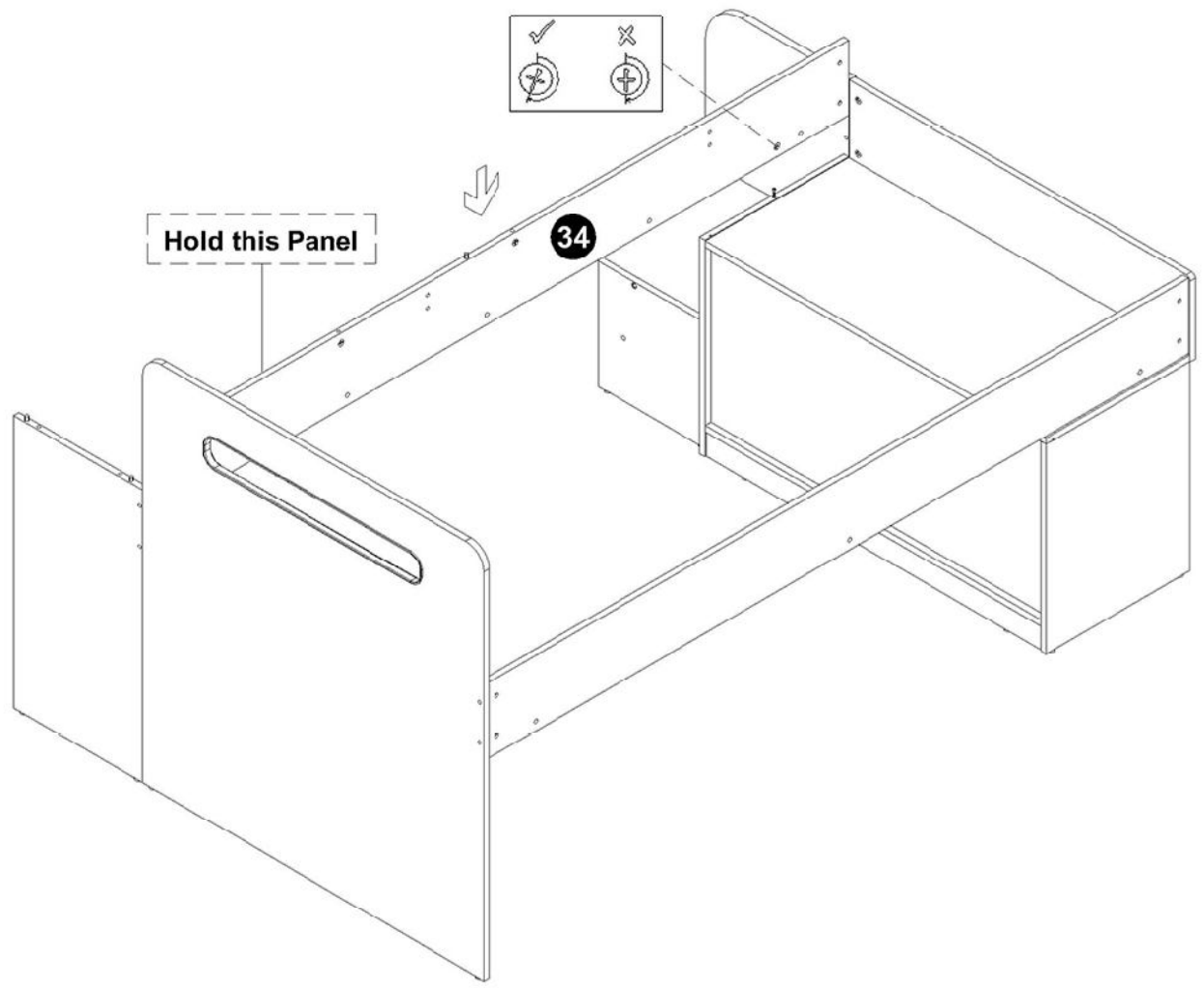


R x 4

S x 4



41



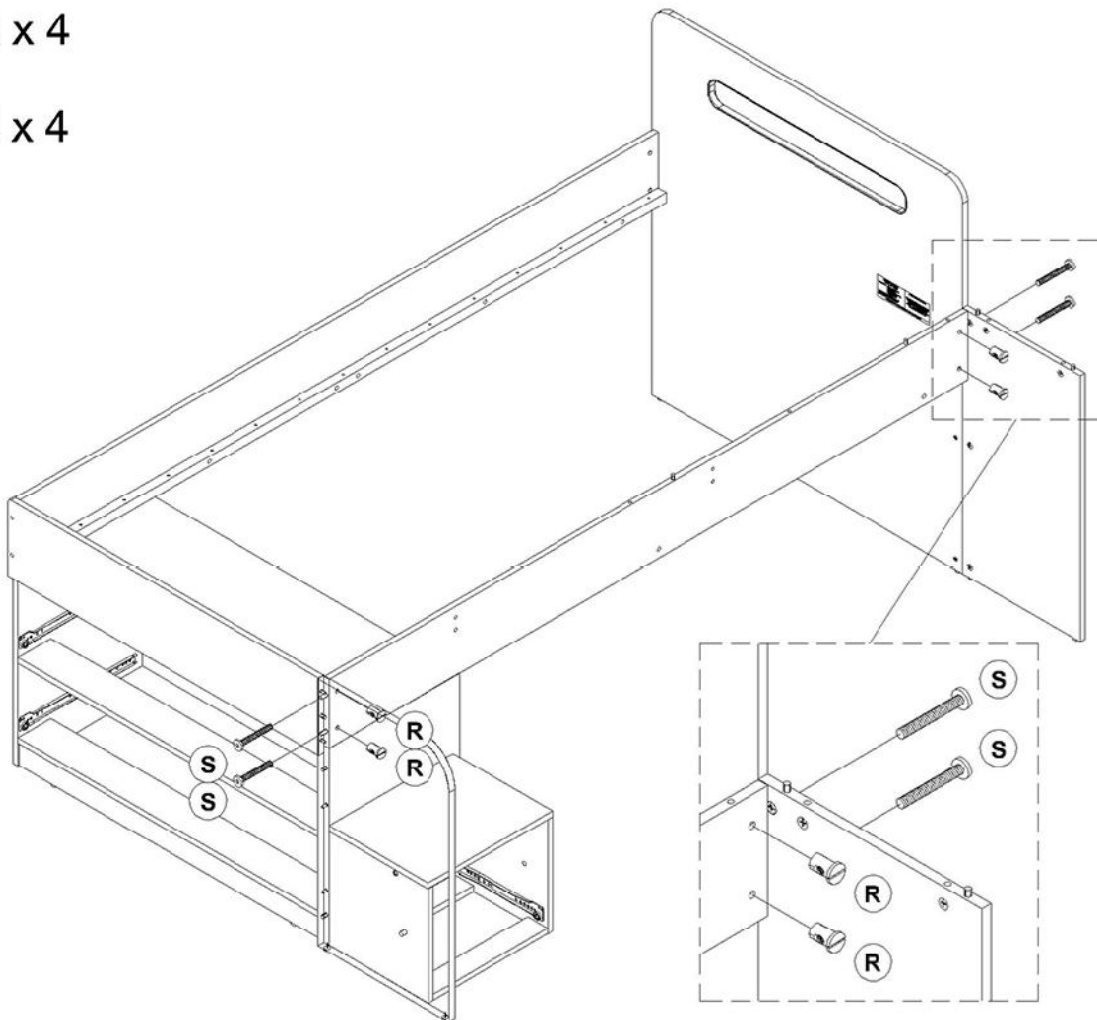
42



R x 4



S x 4



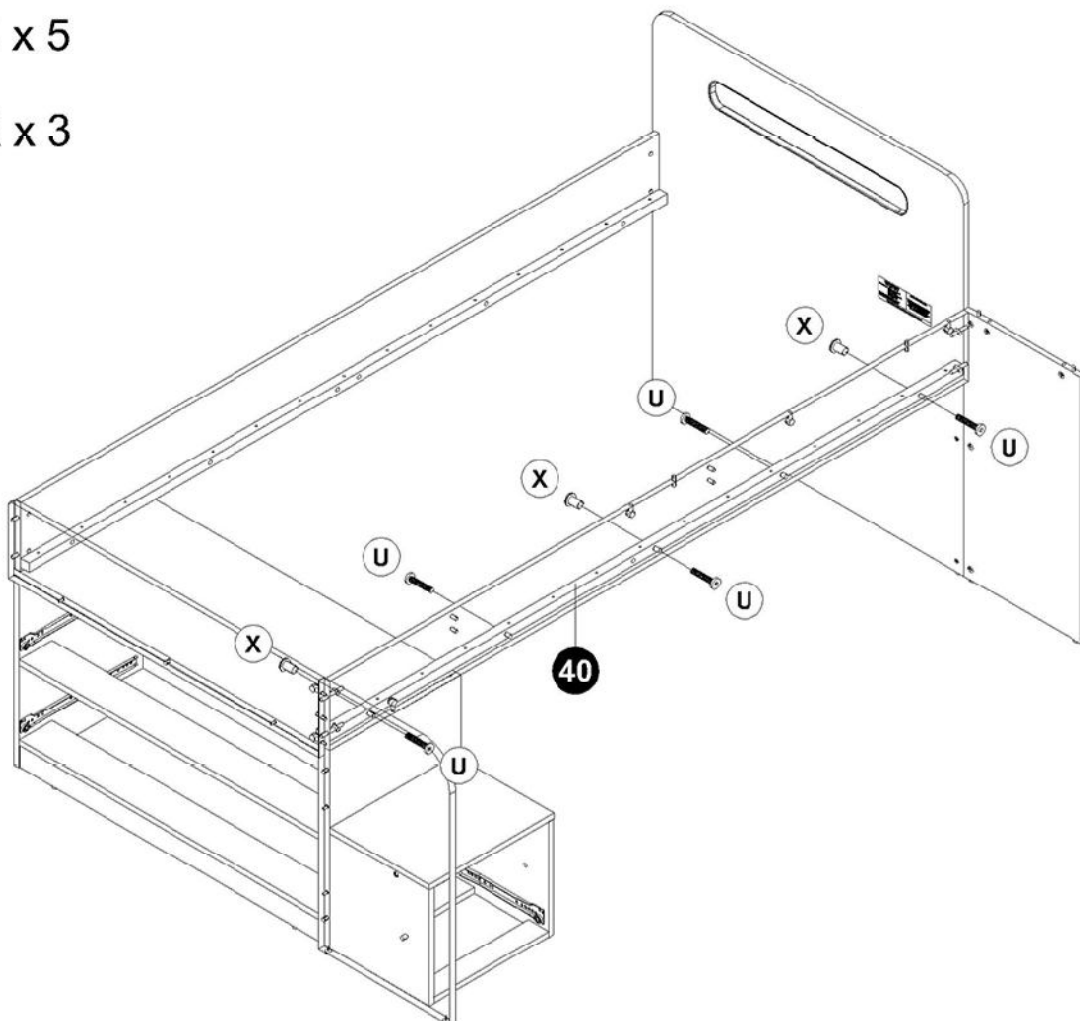
43



U x 5



X x 3



44



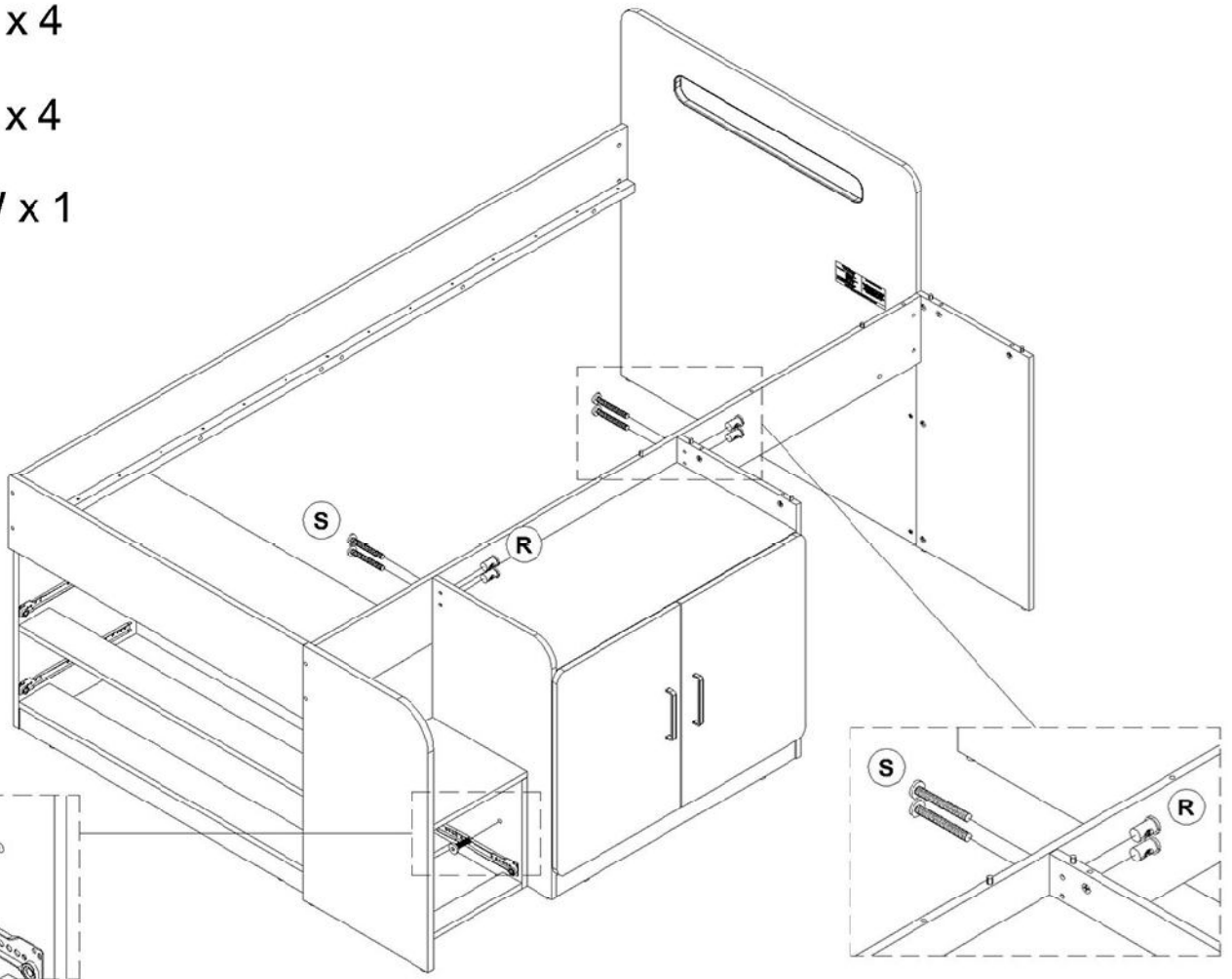
R x 4



S x 4



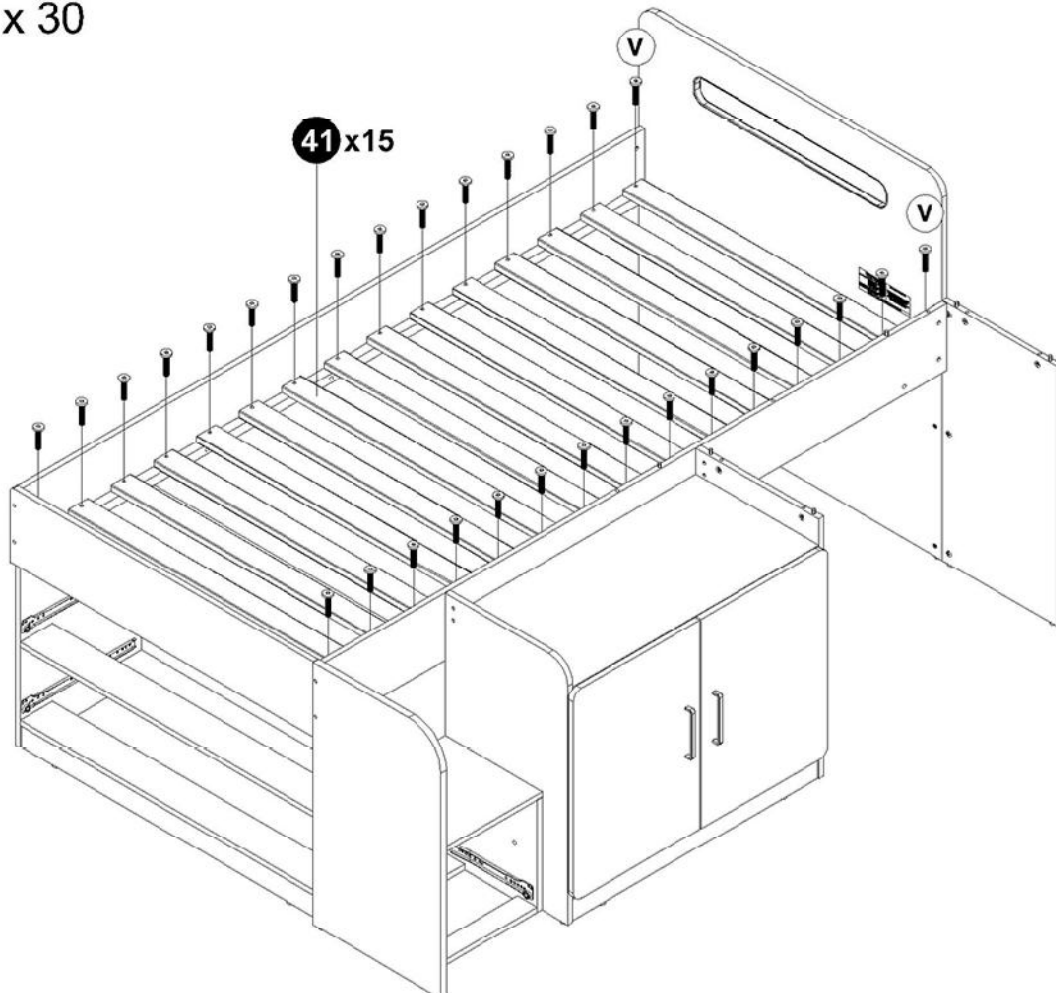
W x 1



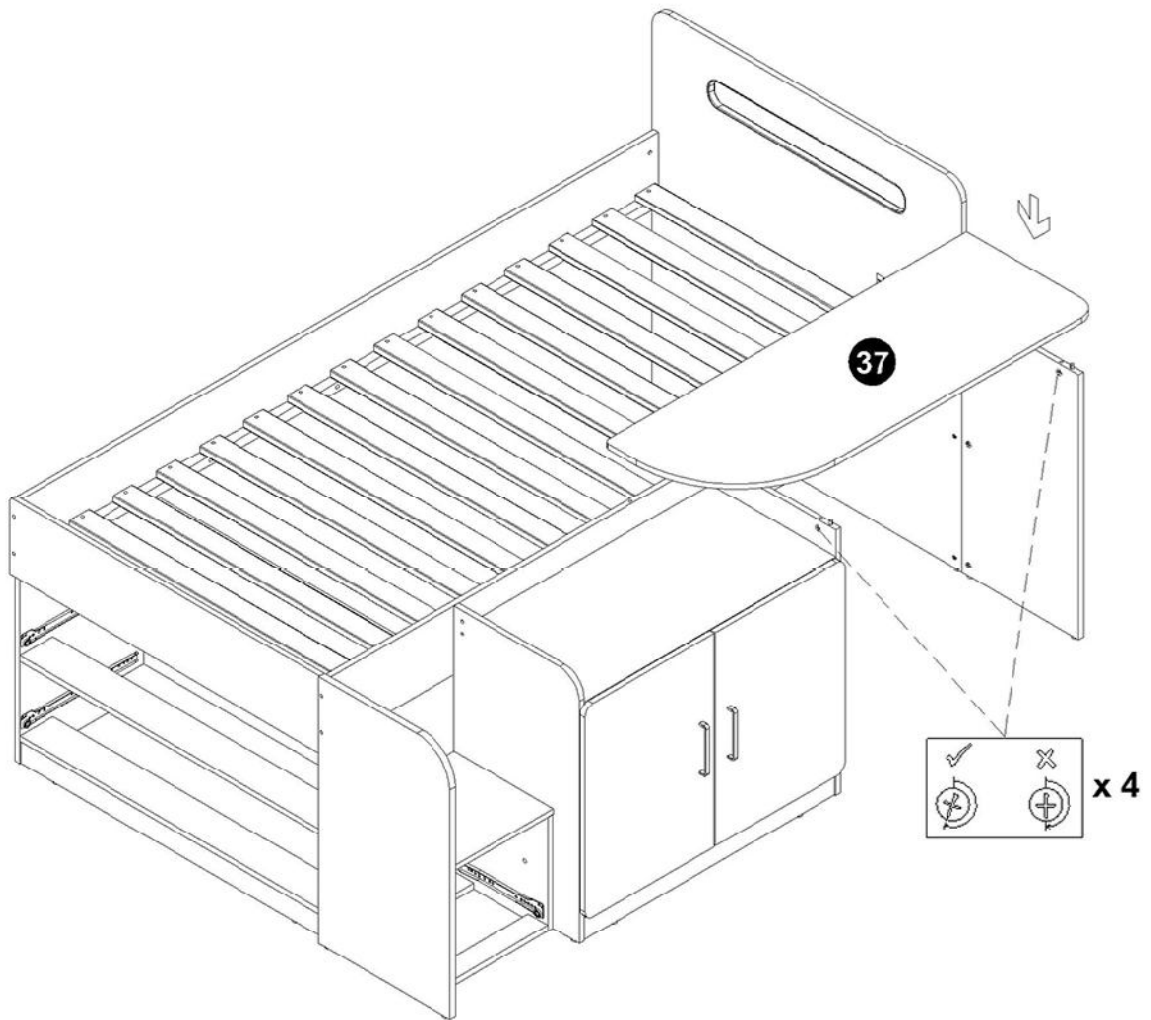
45



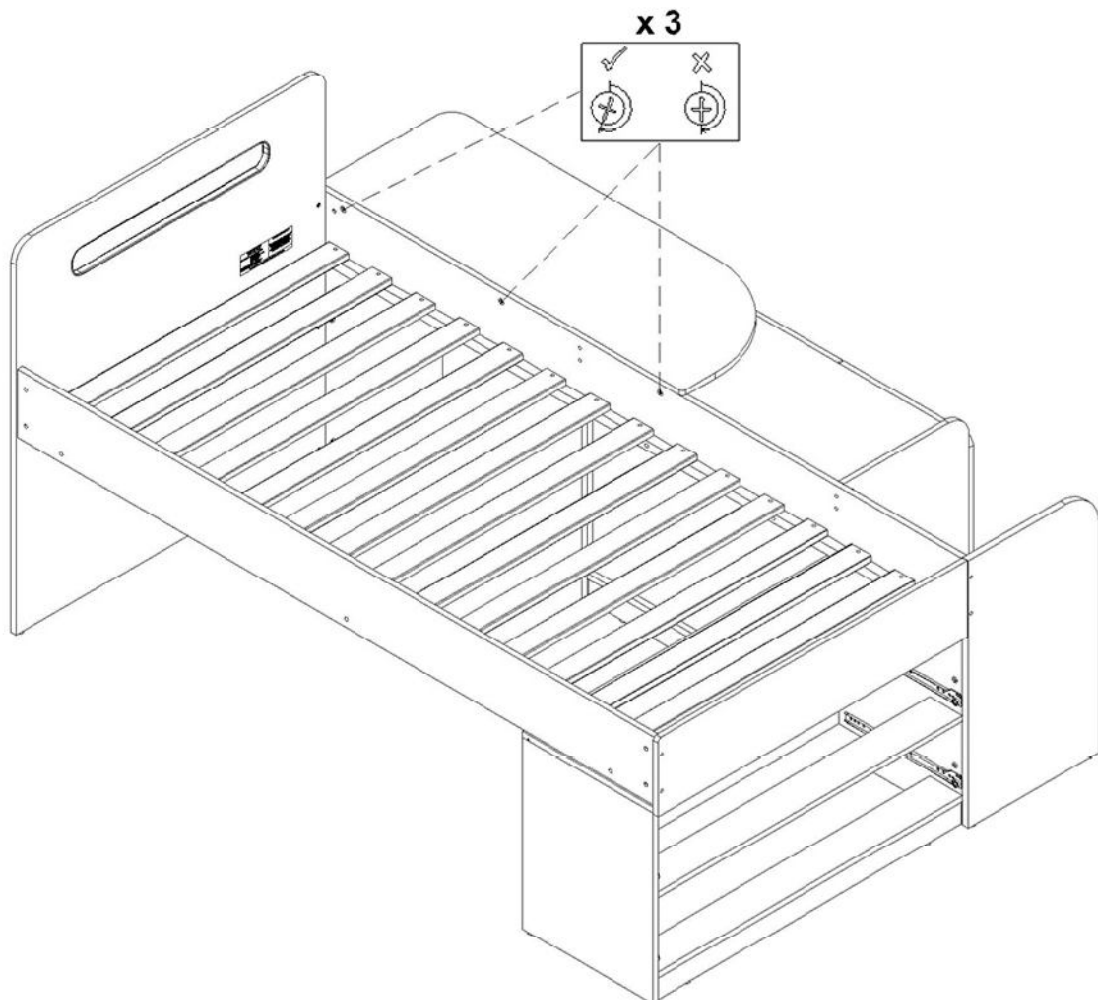
V x 30



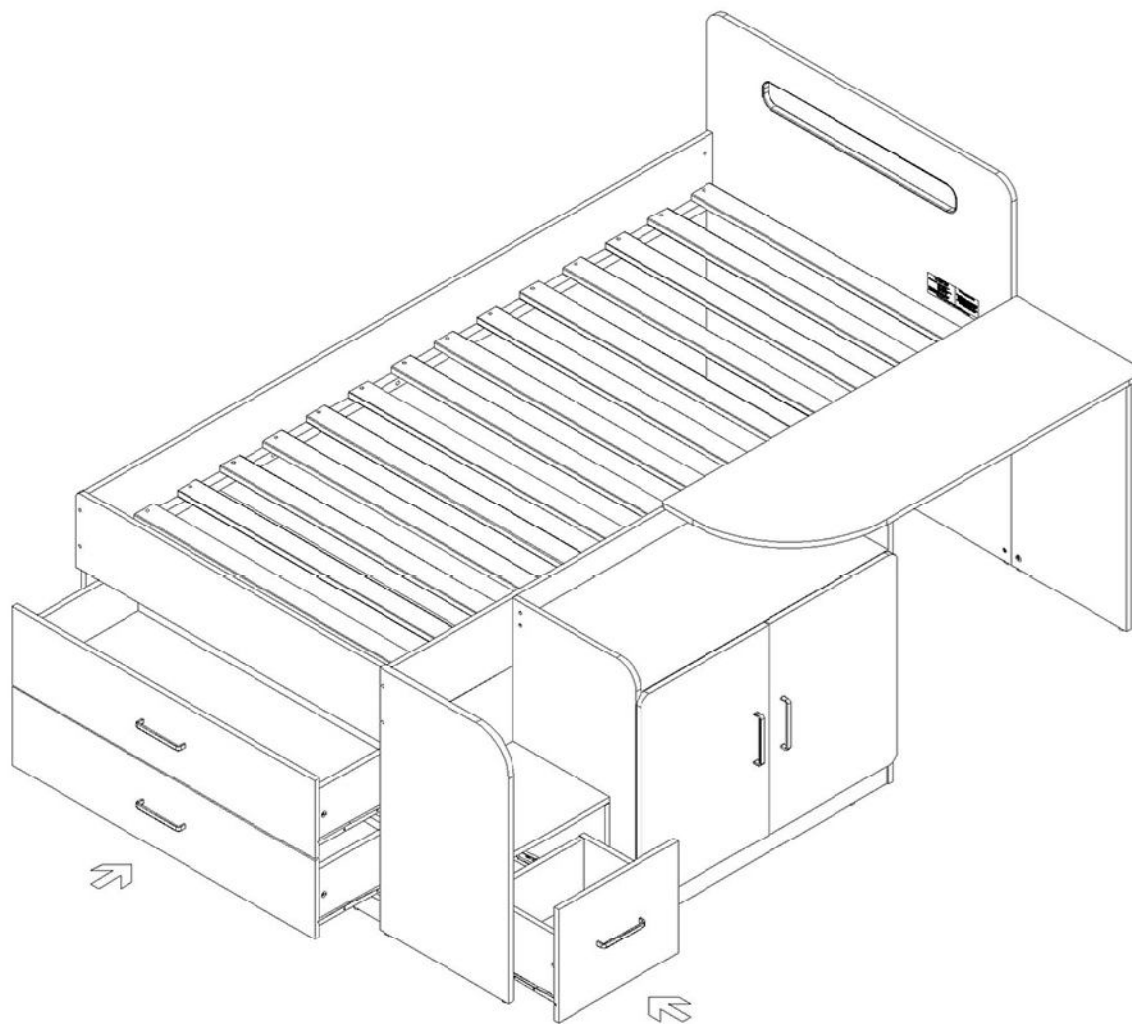
46



47



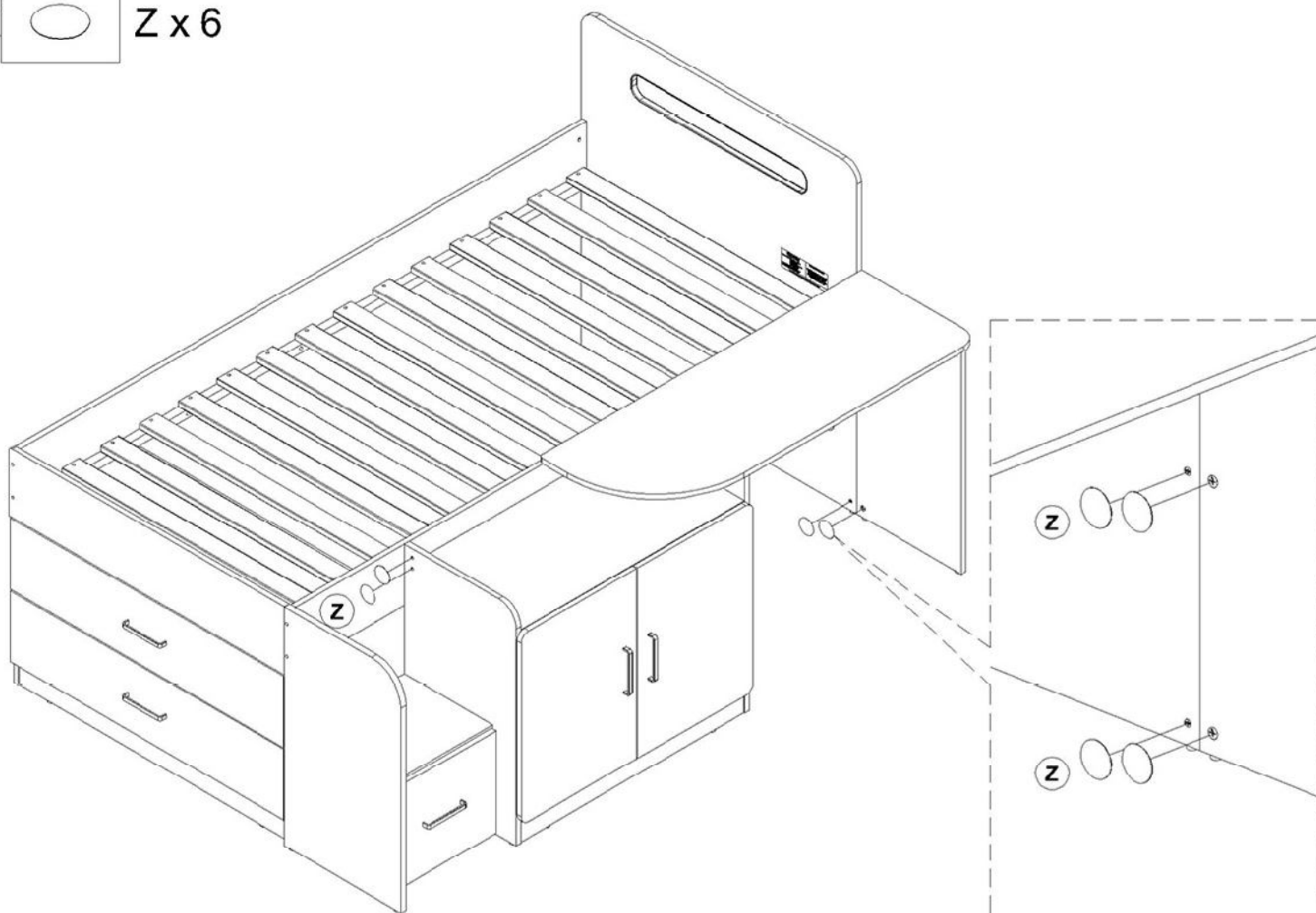
48



49



Z x 6



General Care

Wipe clean with a slightly damp soft cloth.

Avoid the use of all household cleaners and abrasives.

When moving your furniture, carefully lift into place. Never drag or push the pieces across the floor as this will cause damage to the joints and could result in failure to the product that will invalidate the warranty.

Recommendations

Periodical re-tightening of fixings.

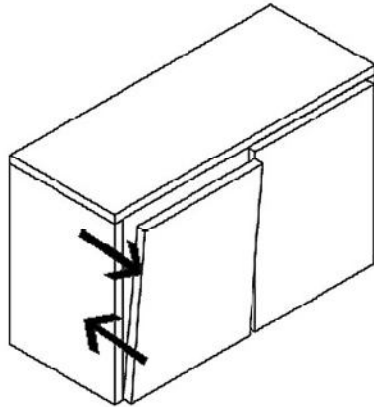
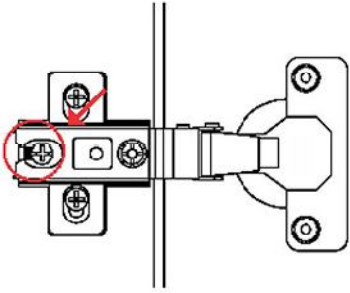
Warning

This unit is heavy. Please use an assistant when lifting.

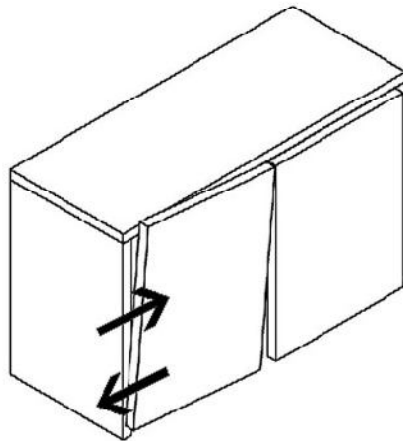
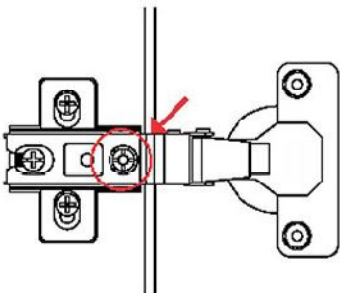
Notes

We've tried to make this piece of furniture as easy to assemble as possible. In the unlikely event that you have problems putting it together or have damaged or missing pieces, please contact our customer services on 01623 727374

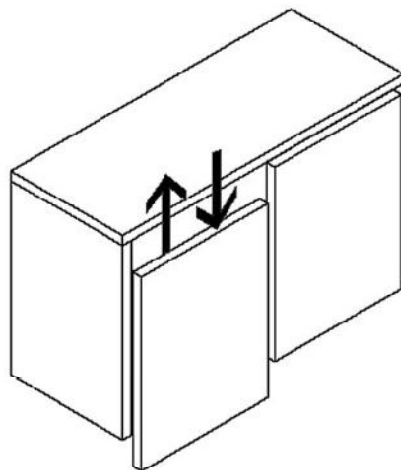
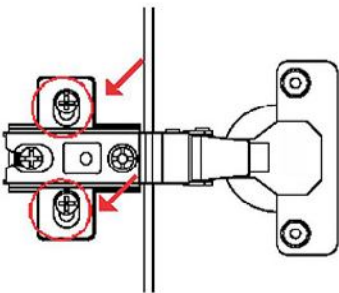
Adjusting Possibilities



Depth Adjustment
after loosening the hinge
arm mounting screw



Lateral Adjustment
by adjusting screw



Vertical Adjustment
via mounting plate (via
slots or, if in two pieces,
via screw)