

## **Assembly Instructions**

### **Important before assembly:**

Read these instructions carefully before assembling or using the product.

Please check the contents of the boxes before attempting to assemble this product. The instructions will have a checklist of parts and fittings.

Assemble the product as close to its intended final location/room as possible.

### **Health & Safety:**

This product or some parts of this product will be heavy. Please use an assistant when lifting.

Please keep small parts out of reach of children.

Always use on a level, even surface.

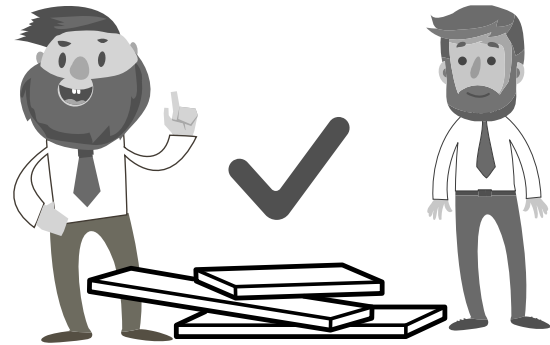
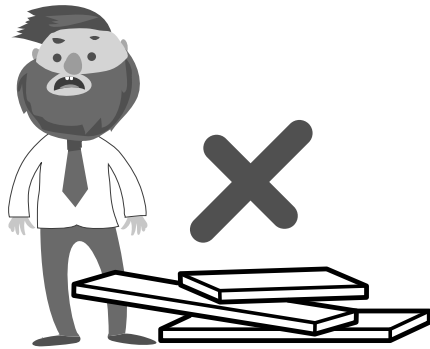
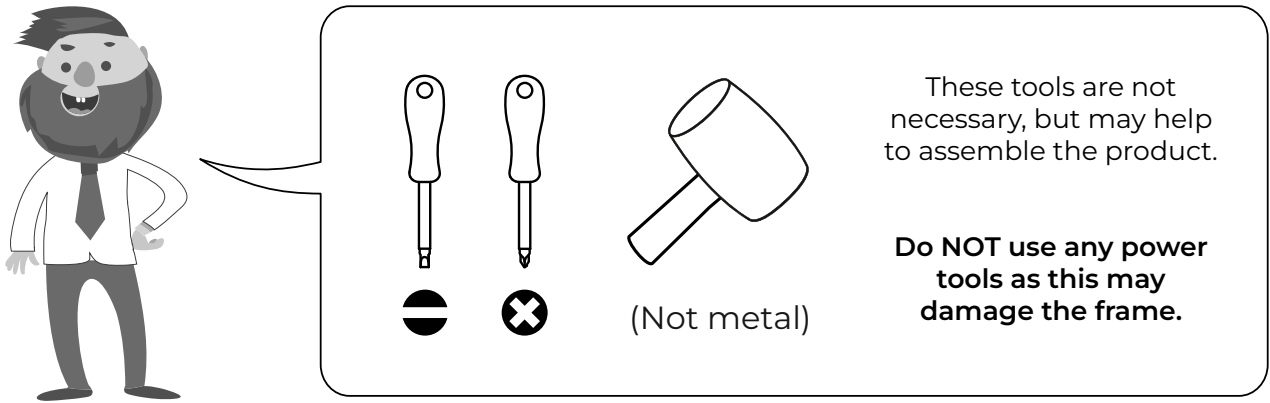
DO NOT jump on the product or any of its parts.

DO NOT use this product if any parts are missing, damaged or worn.

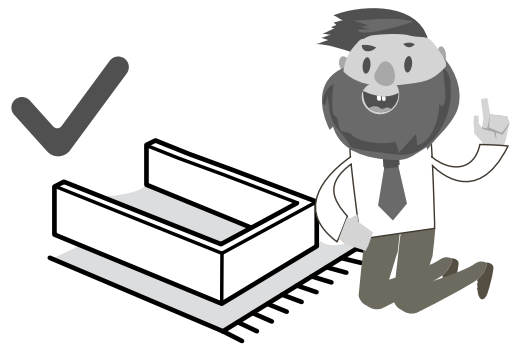
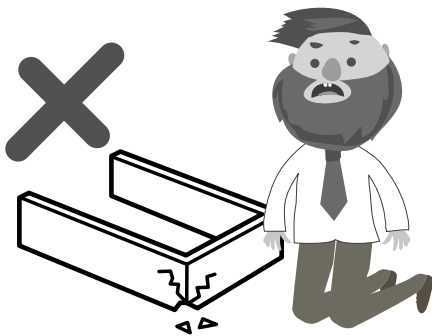
DO NOT use this product unless all fixings are secured.

**Further instructions are on the following pages.**

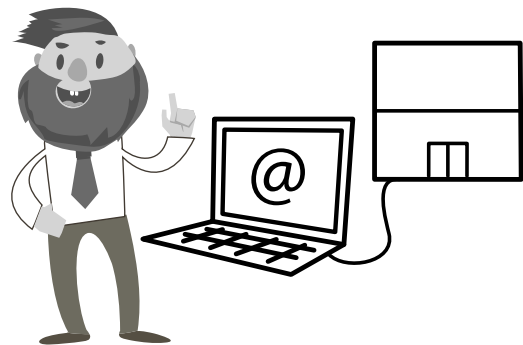
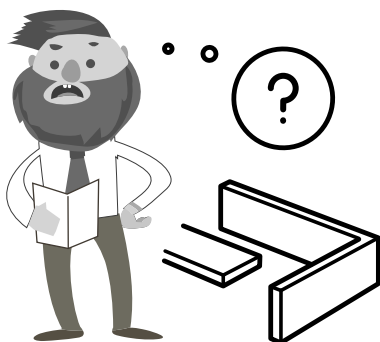
Please keep these instructions for future reference.



This product or some parts of this product will be heavy. Please use an assistant when lifting.



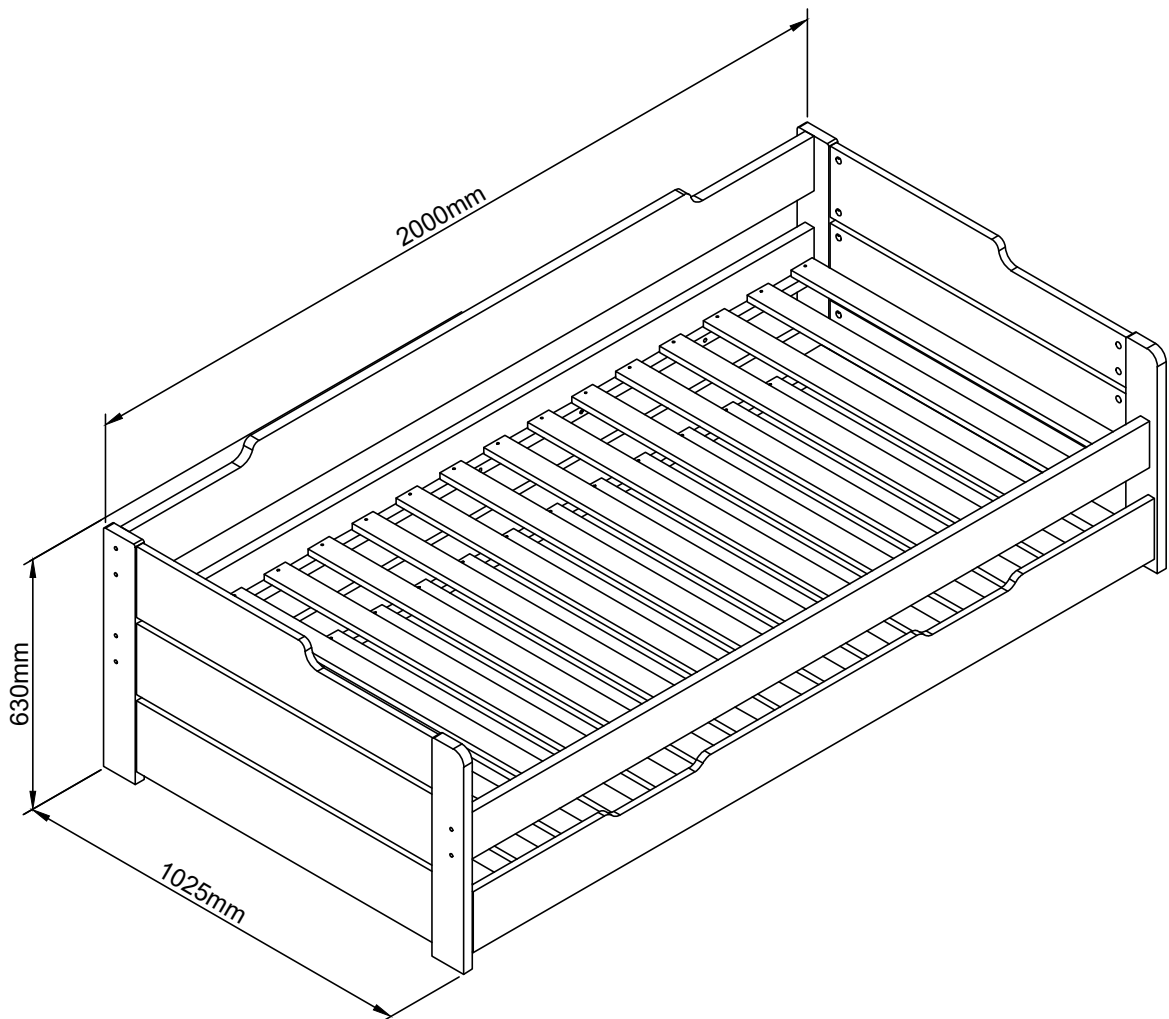
Never drag or push the pieces across a hard or stone floor as this will cause damage to the joints. Use a carpet or a rug for extra care.



If you have problems assembling or have damaged or missing pieces, please contact our customer services (details at the back of these instructions)

# COPELLA DAY BED + GUEST BED TRUNDLE

## ASSEMBLY INSTRUCTION



All measurements are approximate

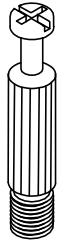
# Hardware

A



Cam  
24 PCS

B



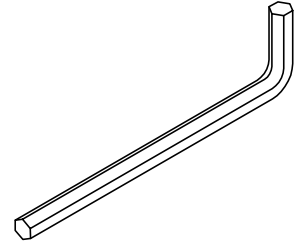
Cam Stud  
24 PCS

C



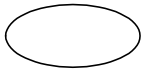
M8 x 30mm  
22 PCS

D



M4 Allen key  
1 PC

E



Round Sticker  
38 PCS

F



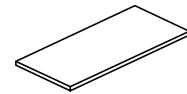
Unitar JCBC Screw  
M6 x 55mm  
16 PCS

G



JCBC W Screw  
M6 X 30MM  
60PCS

H



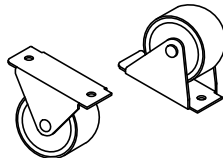
FELT PAD  
4PCS

I



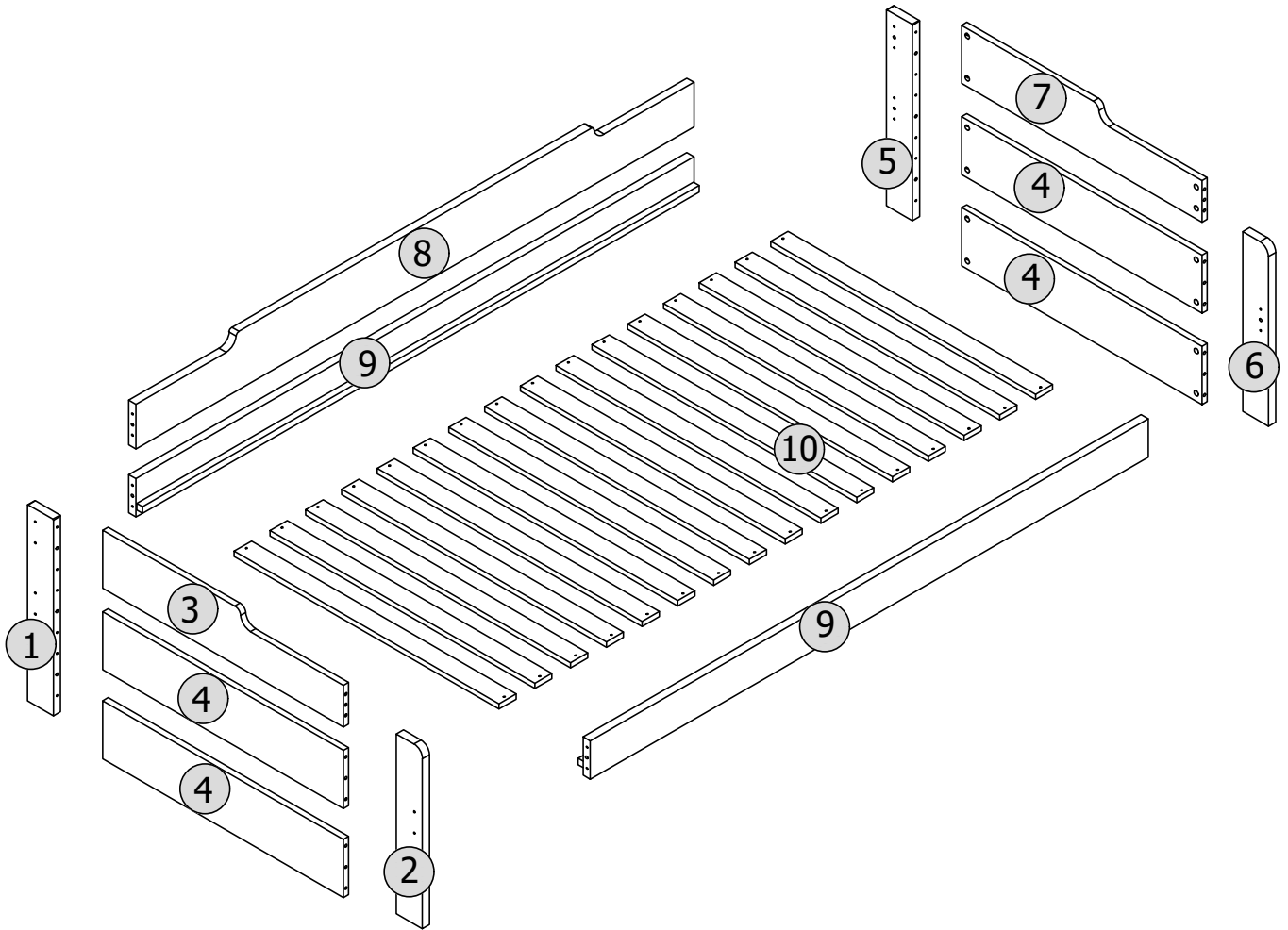
Chipboard screw  
M3.5 x 16mm  
8 PCS

J



Castor  
4PCS

# Parts


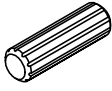


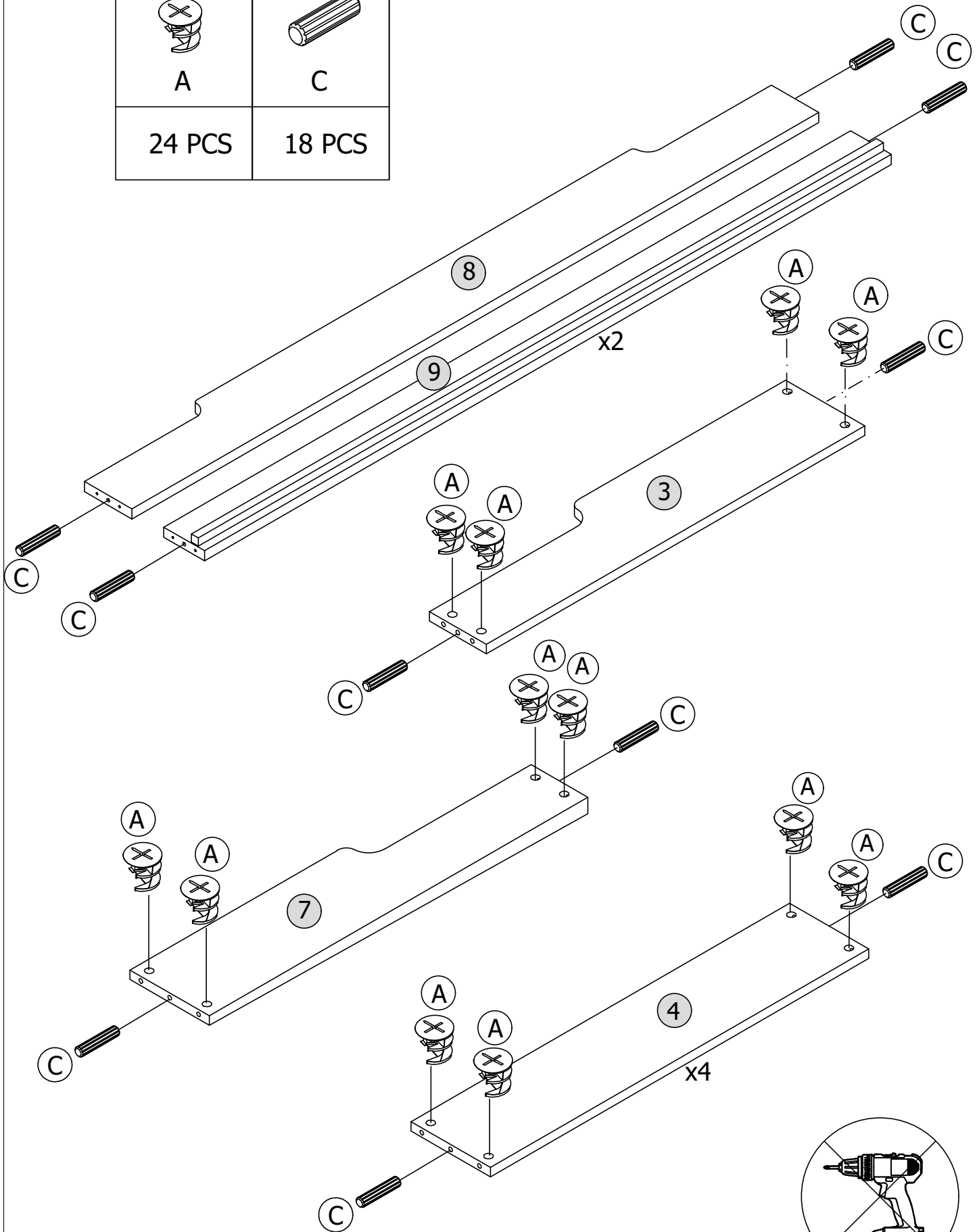
ALL PARTS ARE NUMBERED ACCORDINGLY

## Copella Day Bed Part List:

CARTON 1 OF 1		
NO.	DESCRIPTION	QTY
1	BACK POST (LEFT)	1
2	FRONT POST (LEFT)	1
3	LEFT SIDE CURVE PANEL	1
4	SIDE PANEL	4
5	BACK POST (RIGHT)	1
6	FRONT POST (RIGHT)	1
7	RIGHT SIDE CURVE PANEL	1
8	BACK PANEL	1
9	SIDE RAIL FRONT & BACK	2
10	LVL SLAT	16

Step 1

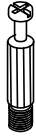
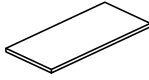
	
A	C
24 PCS	18 PCS

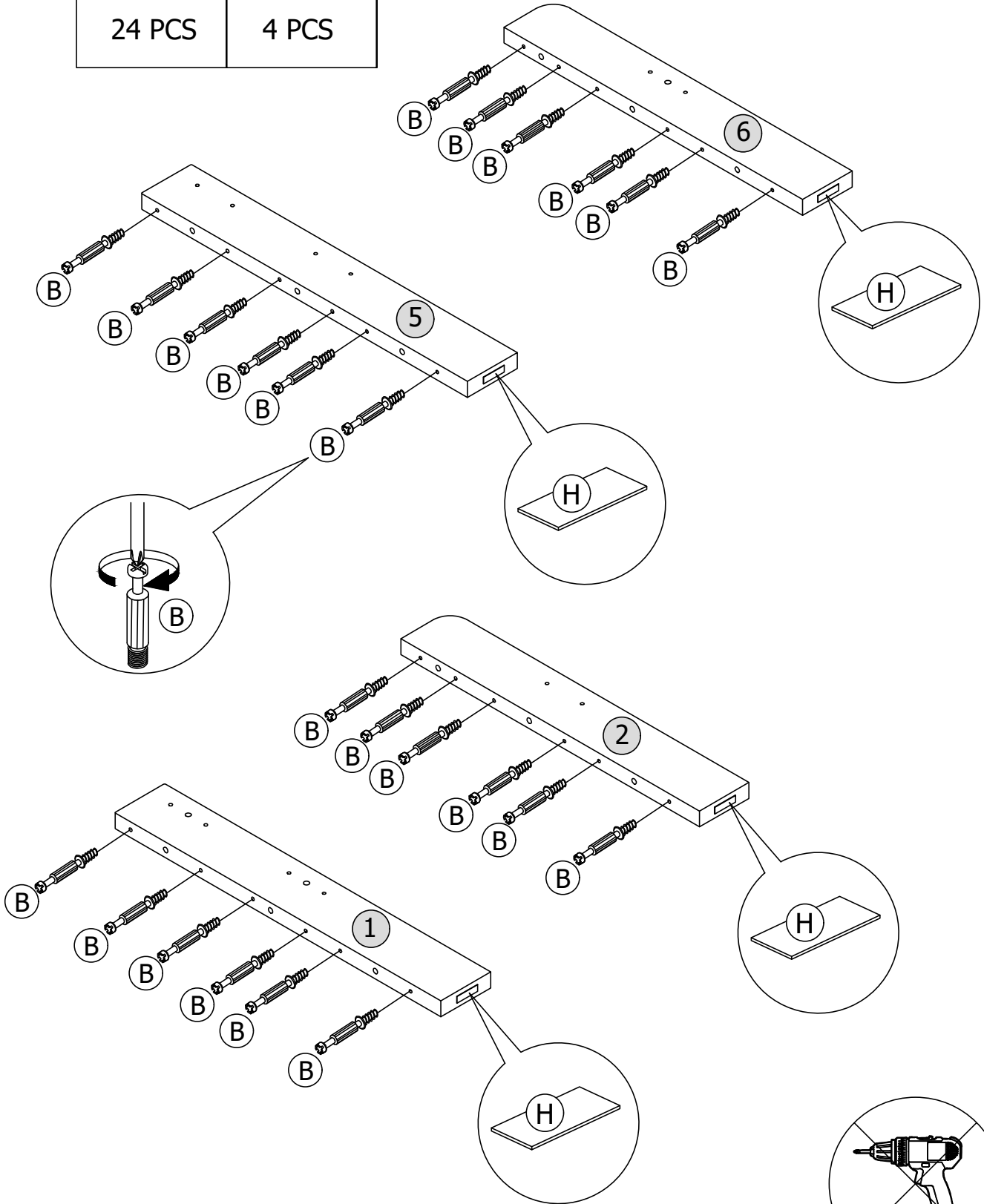


DO NOT USE POWER TOOLS AS THIS MAY DAMAGE THE FRAME AND WILL INVALIDATE ANY CLAIM.

DO NOT USE POWER TOOLS

Step 2

 B	 H
24 PCS	4 PCS

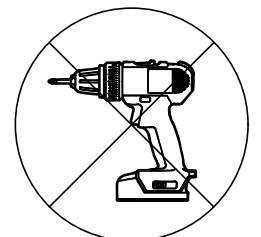
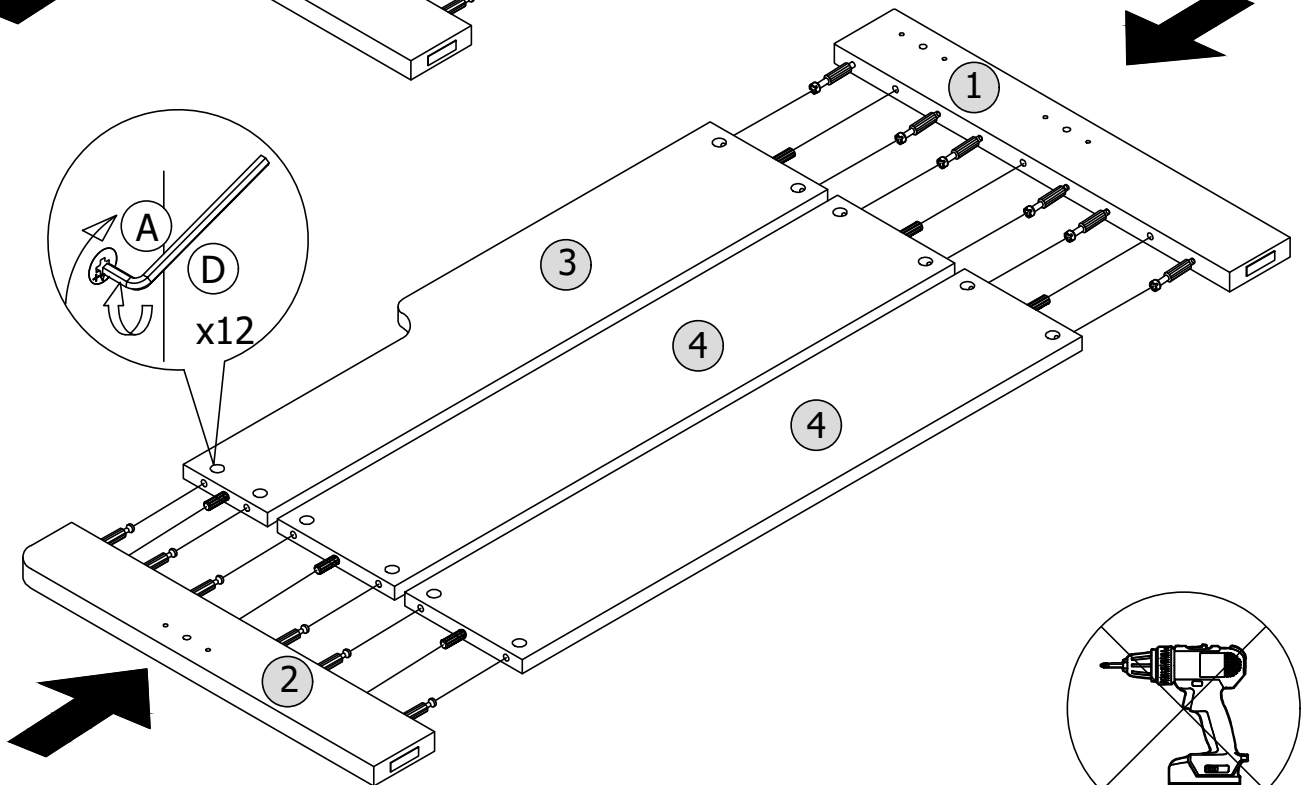
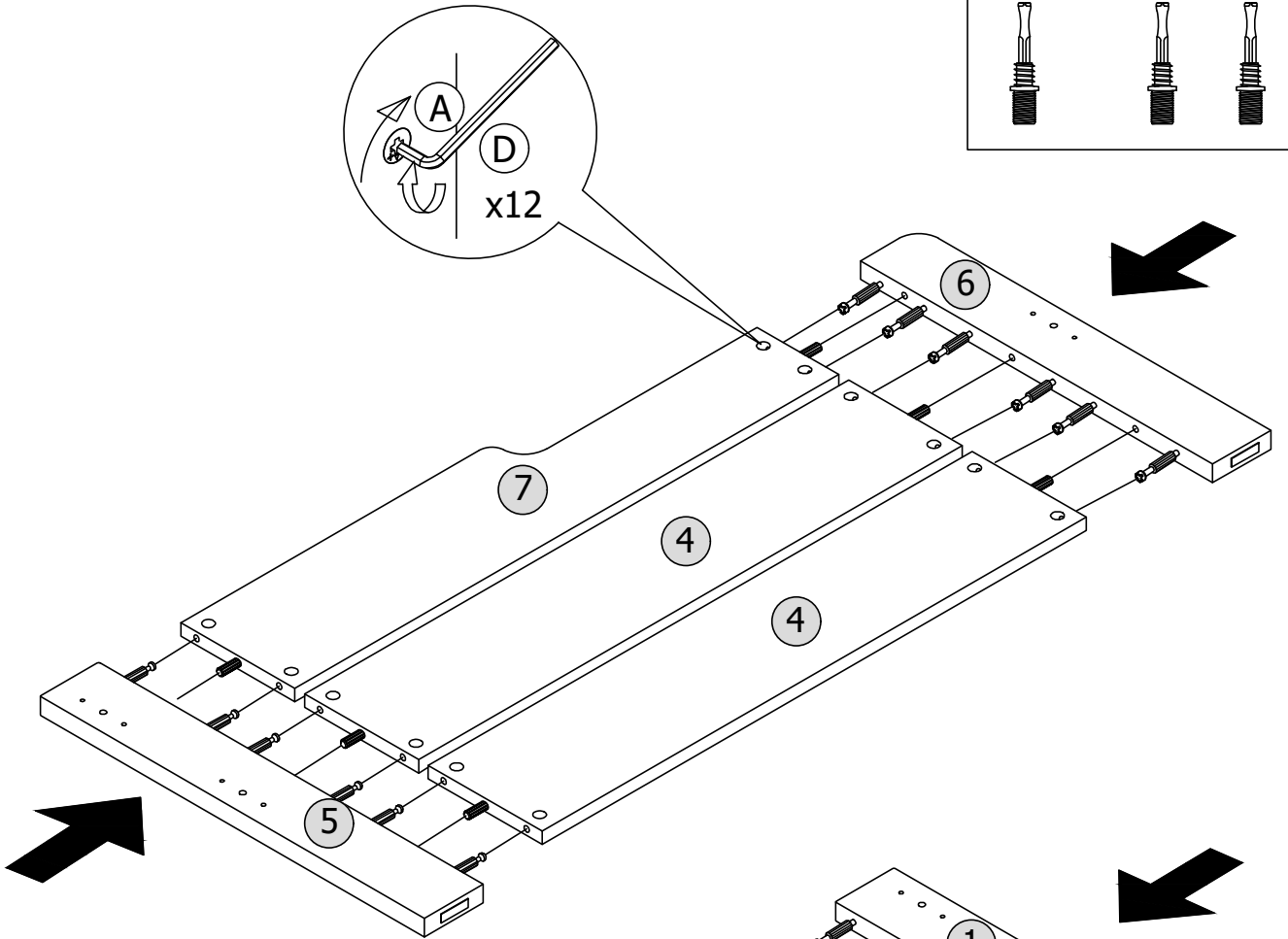
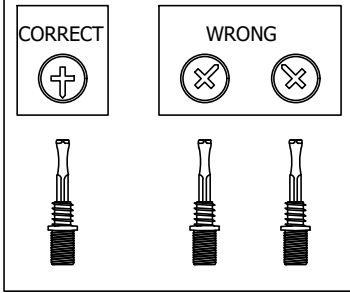


DO NOT USE POWER TOOLS AS THIS MAY DAMAGE THE FRAME AND WILL INVALIDATE ANY CLAIM.

DO NOT USE POWER TOOLS

# Step 3

**WHEN FITTING CAMS**  
ENSURE STARTING POSITION IS CORRECT  
BEFORE YOU INSERT CONNECTING BOLT  
TURN CLOCKWISE UNTIL SECURE


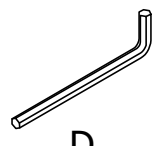


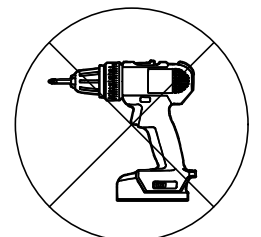
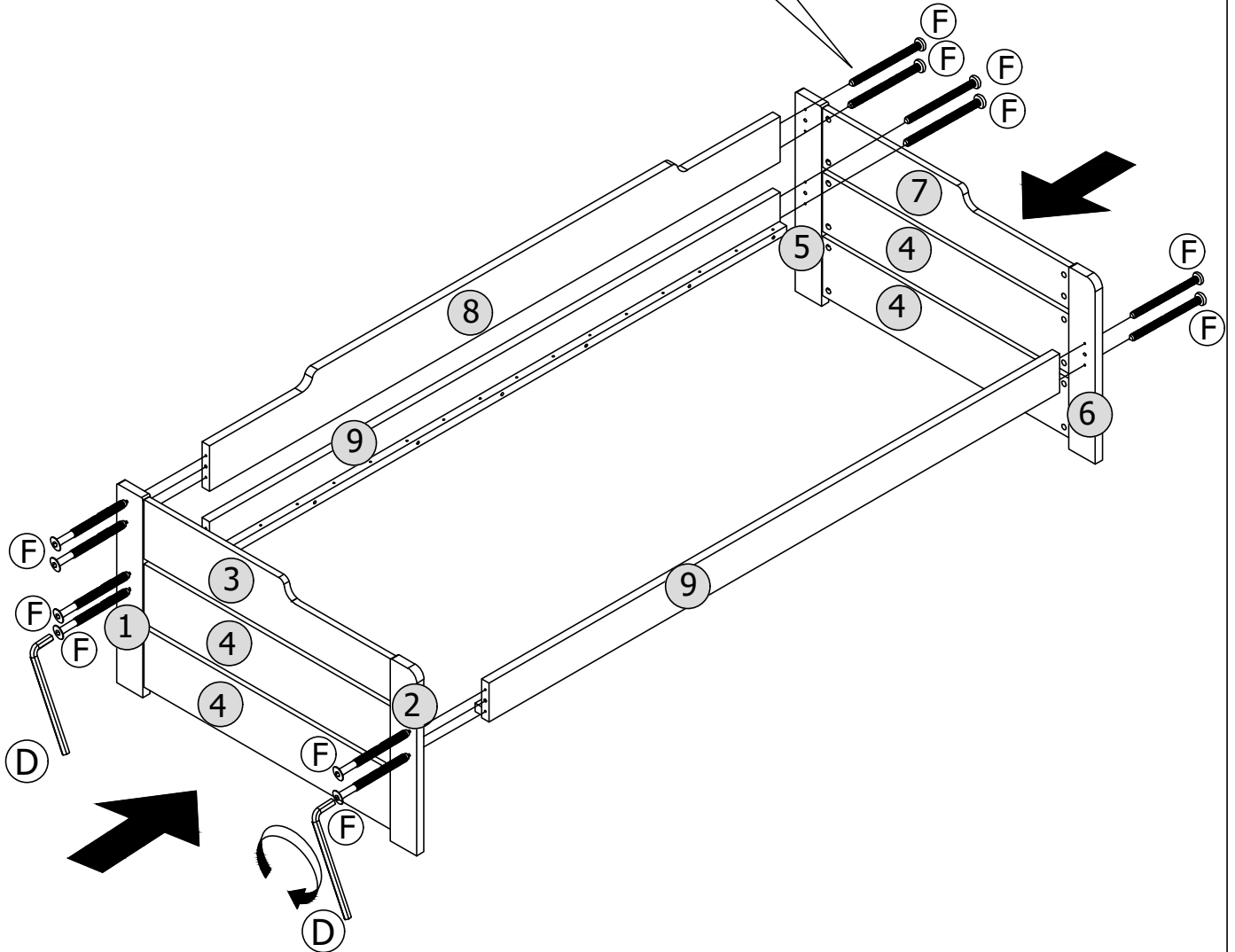
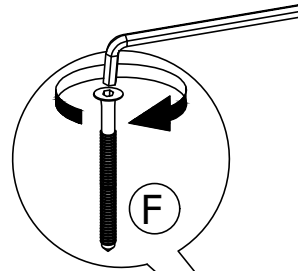
DO NOT USE POWER TOOLS AS THIS MAY DAMAGE THE FRAME AND WILL INVALIDATE ANY CLAIM.

DO NOT USE POWER TOOLS



Step 4


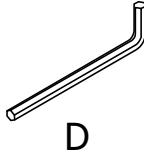
 F	 D
12 PCS	1 PC

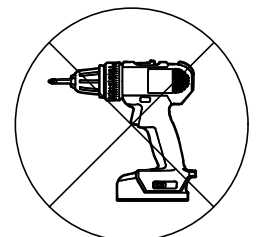
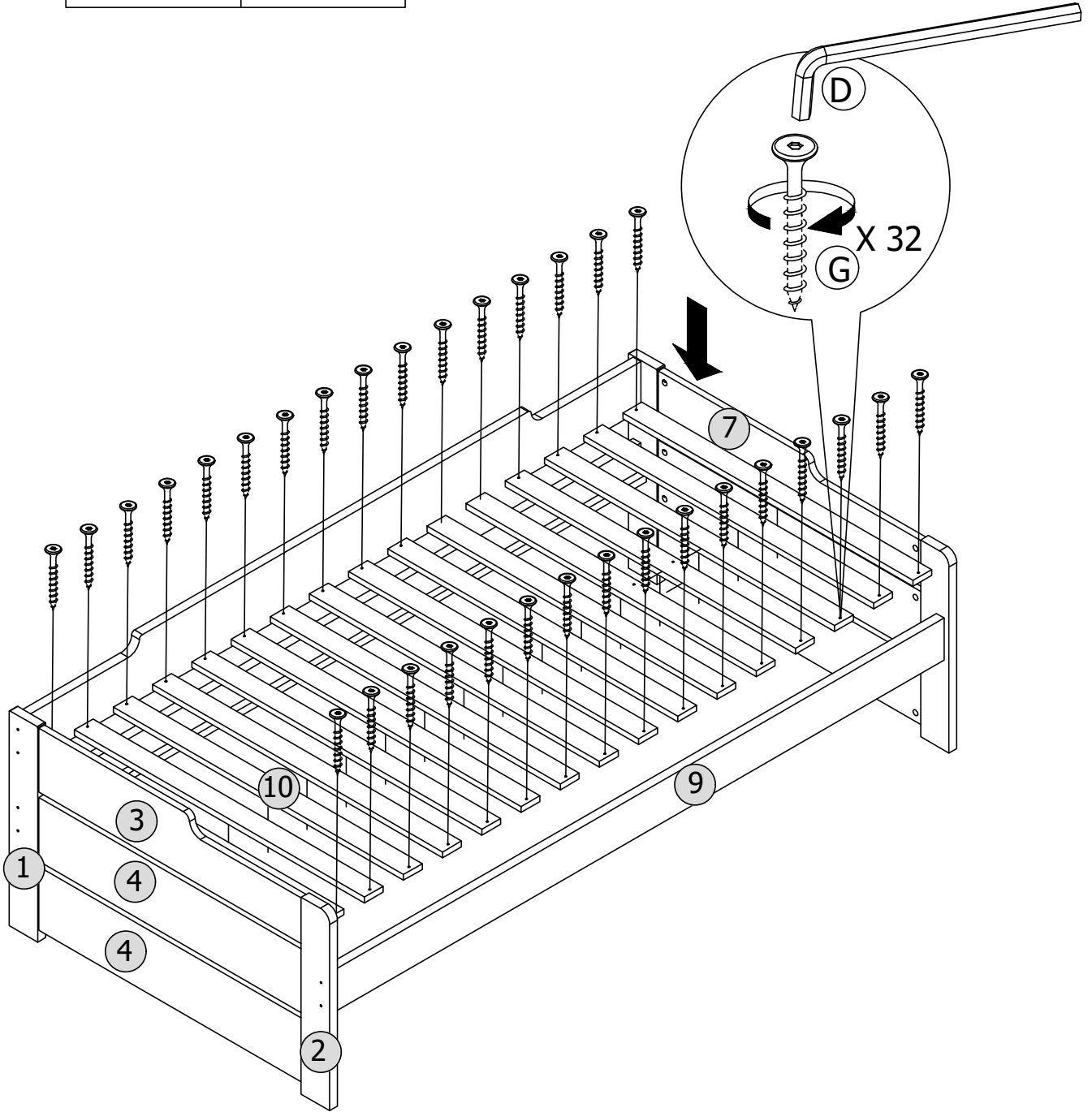


DO NOT USE POWER TOOLS AS THIS MAY DAMAGE THE FRAME AND WILL INVALIDATE ANY CLAIM.

DO NOT USE POWER TOOLS

Step 5

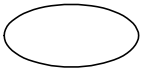
 G	 D
32 PCS	1 PC

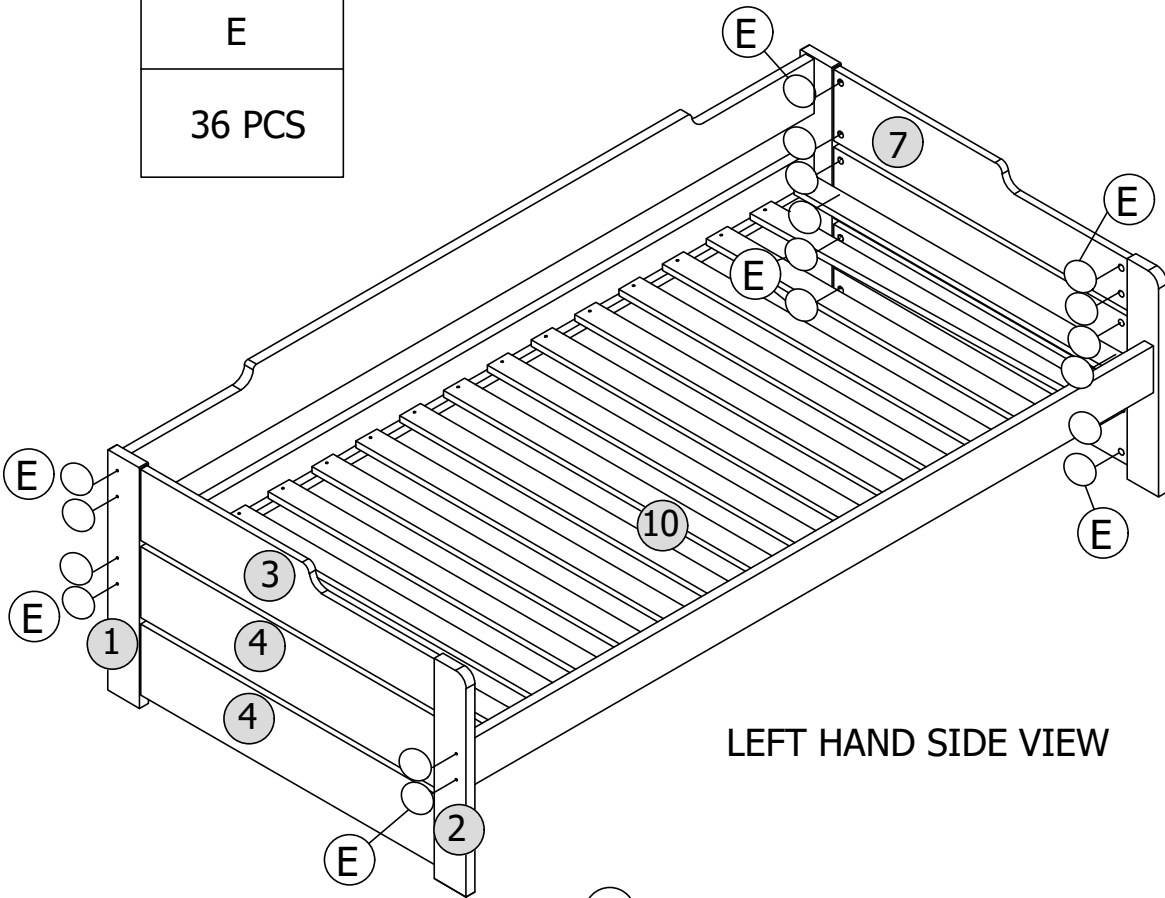


DO NOT USE POWER TOOLS AS THIS MAY DAMAGE THE FRAME AND WILL INVALIDATE ANY CLAIM.

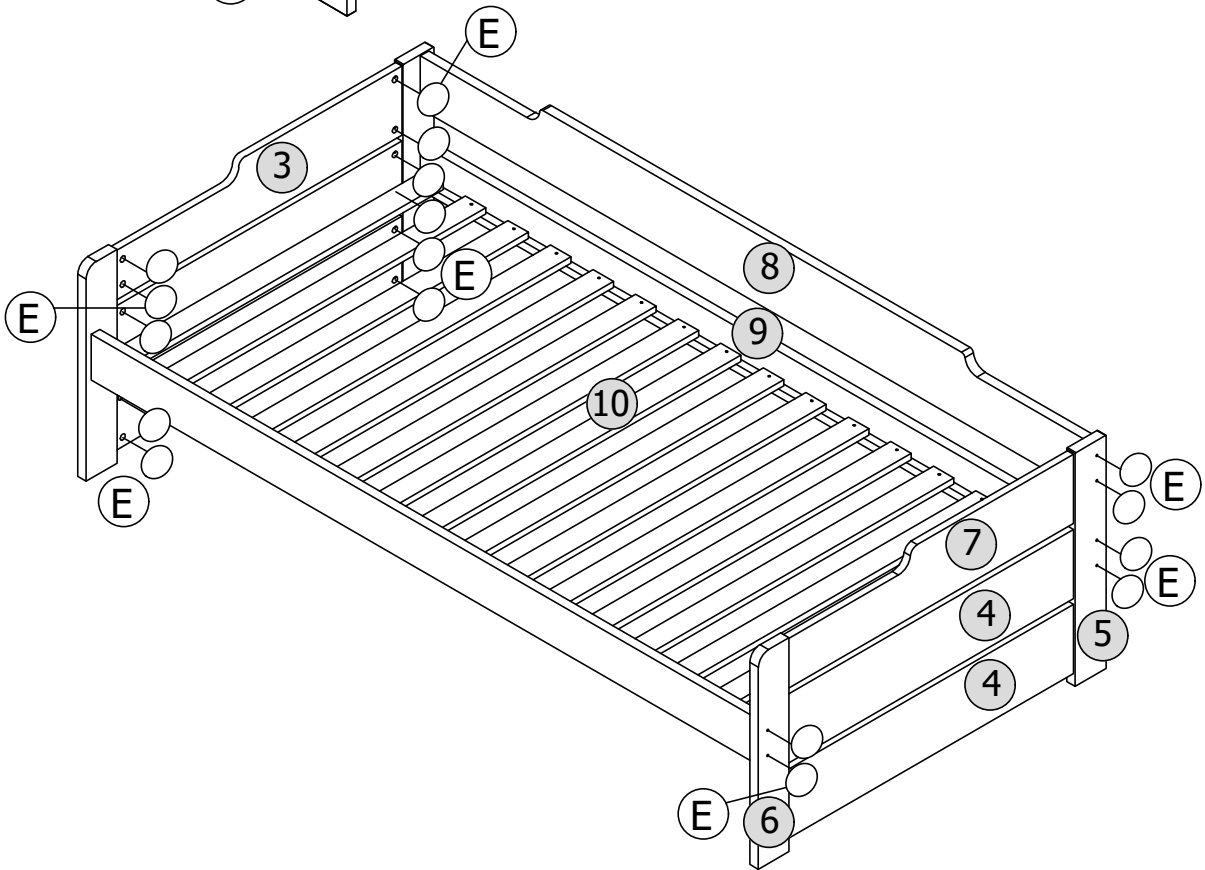
DO NOT USE POWER TOOLS

Step 6

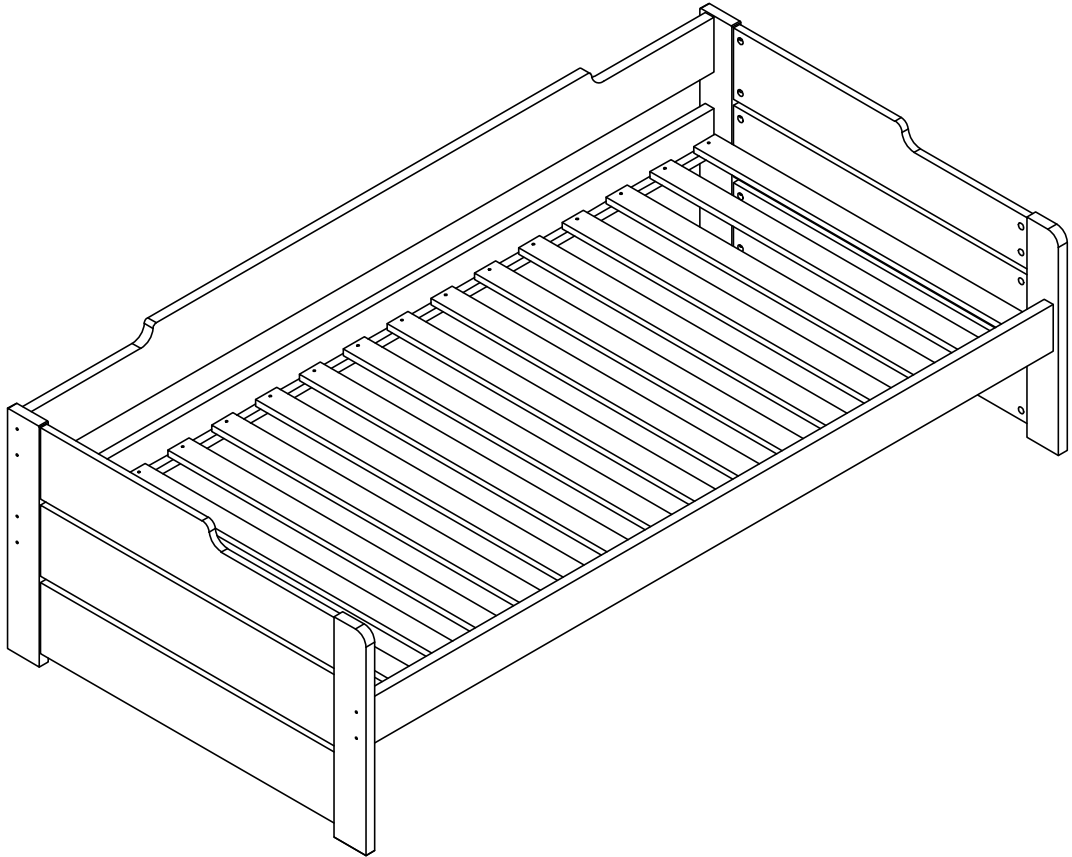

E
36 PCS



LEFT HAND SIDE VIEW



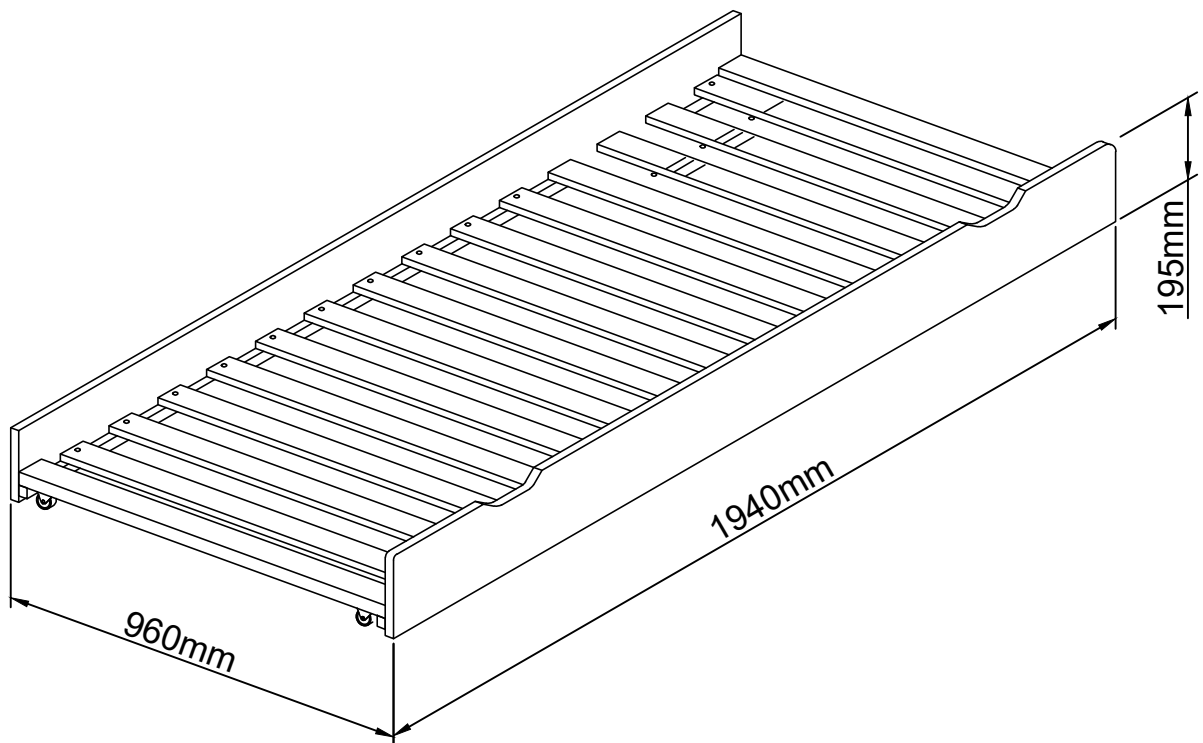
RIGHT HAND SIDE VIEW



YOUR COPELLA DAY BED IS NOW READY FOR USE.

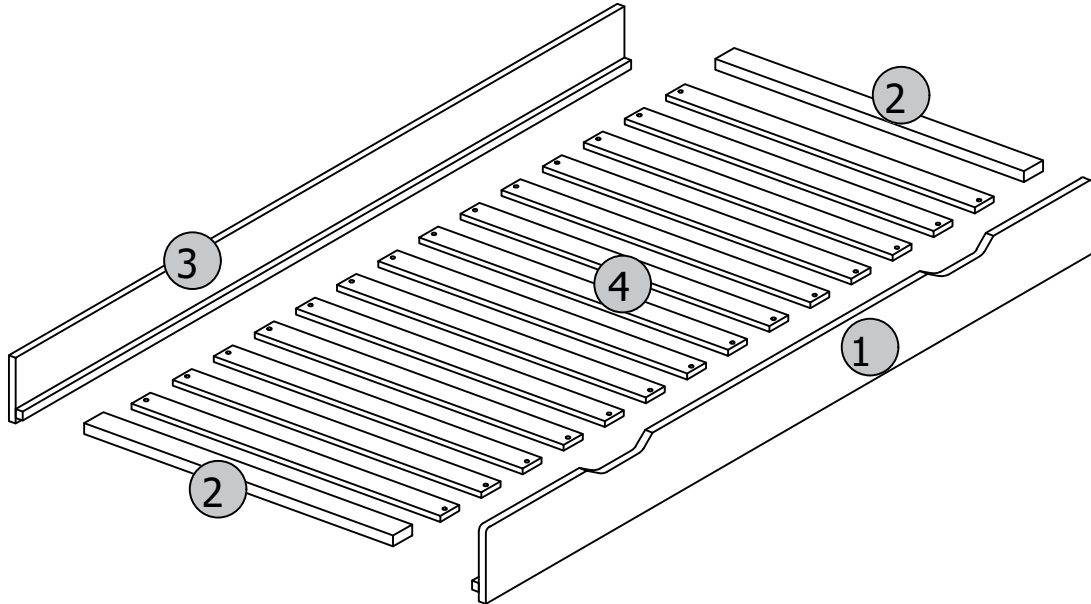
# COPELLA GUEST BED TRUNDLE

## ASSEMBLY INSTRUCTION



All measurements are approximate

# Parts

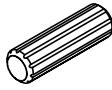
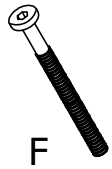
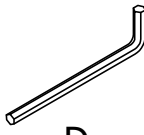


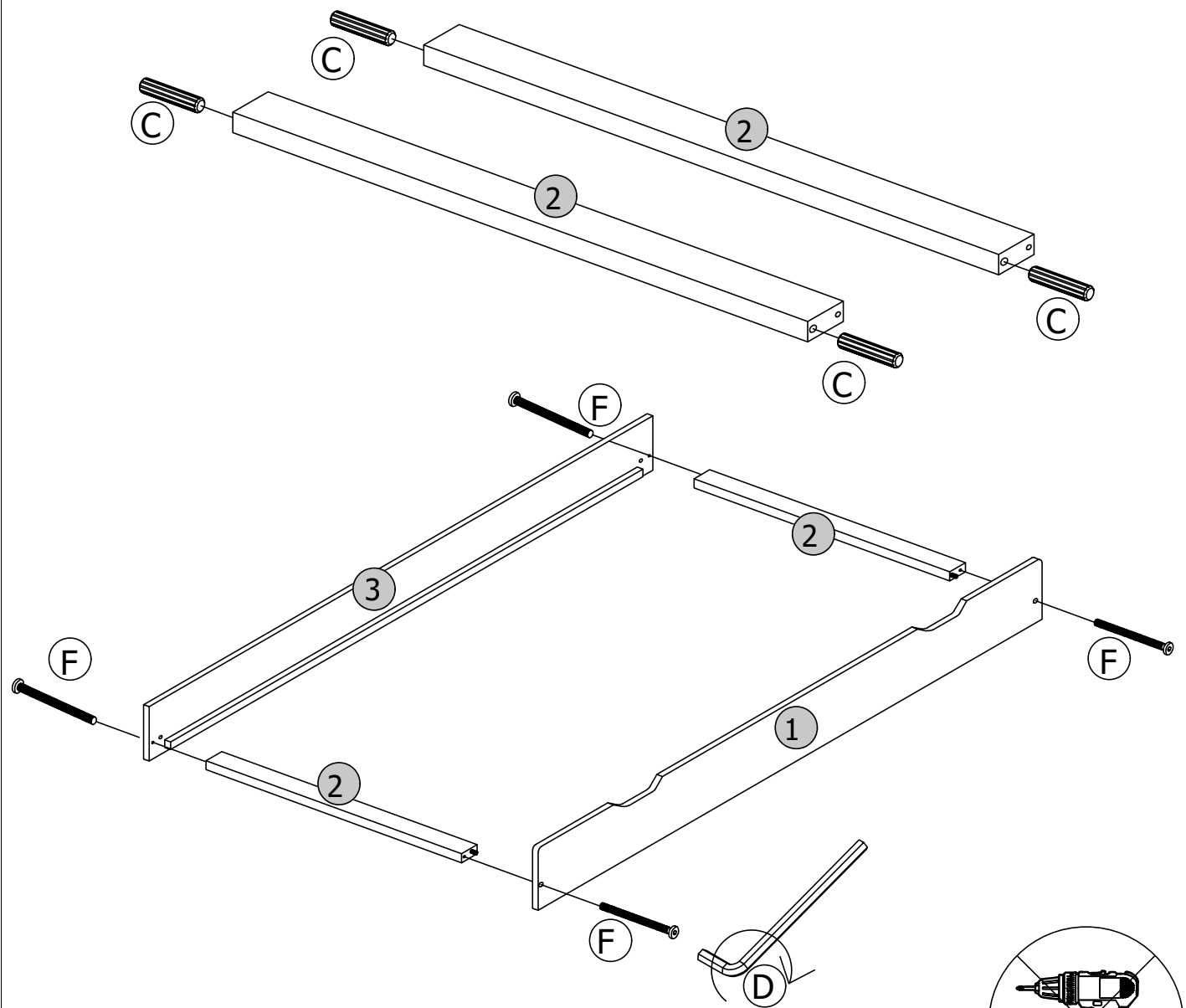
ALL PARTS ARE NUMBERED ACCORDINGLY

## Copella Guest Bed Trundle Part List:

CARTON 1 OF 1		
NO.	DESCRIPTION.	QTY
1	FRONT PANEL	1
2	LEFT & RIGHT SIDE PANEL	2
3	SIDE RAIL	1
4	LVL SLATS	14

Step 1



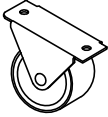
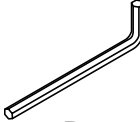
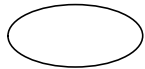
		
C	F	D
4 PCS	4 PCS	1 PC

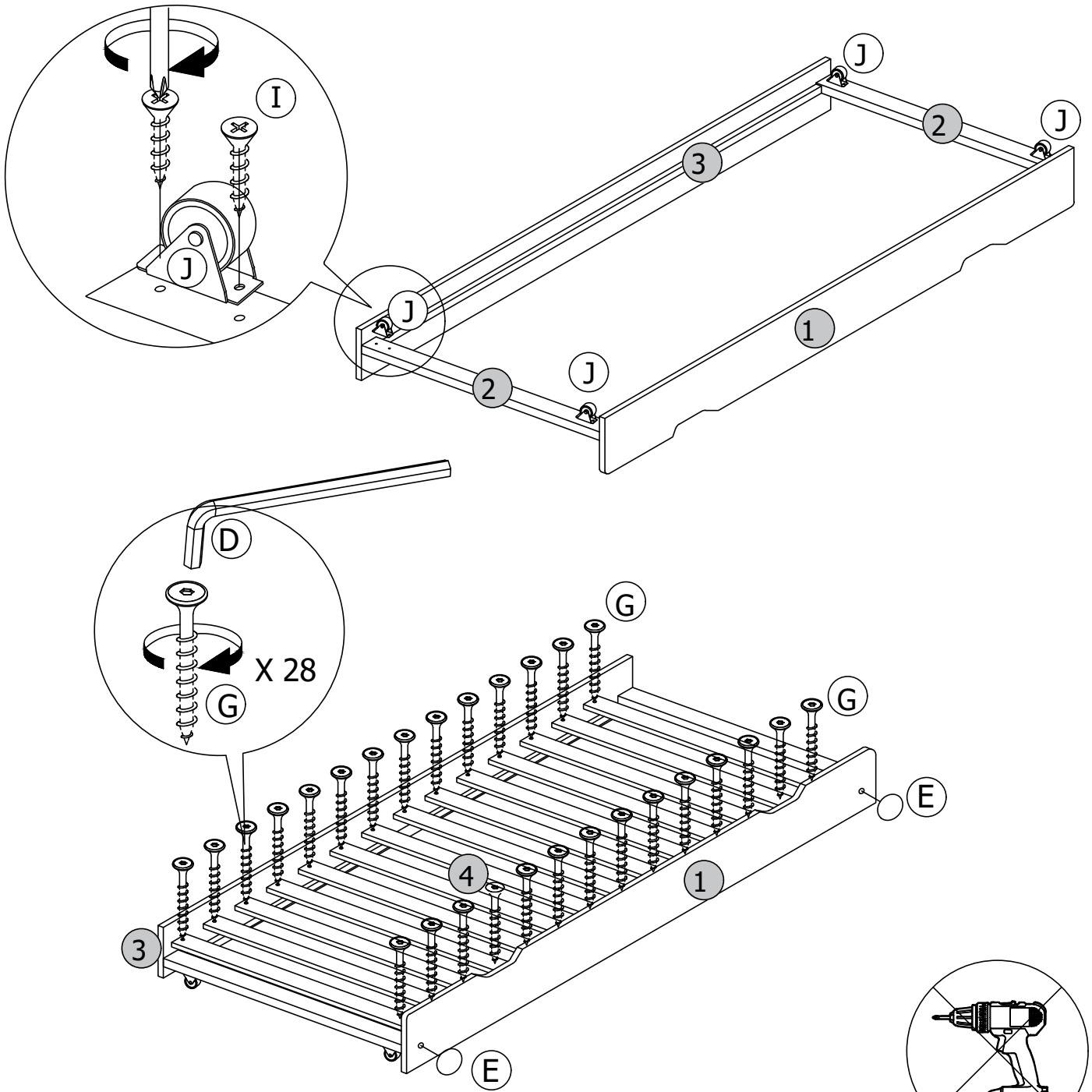


DO NOT USE POWER TOOLS AS THIS MAY DAMAGE THE FRAME AND WILL INVALIDATE ANY CLAIM.

DO NOT USE POWER TOOLS

Step 2

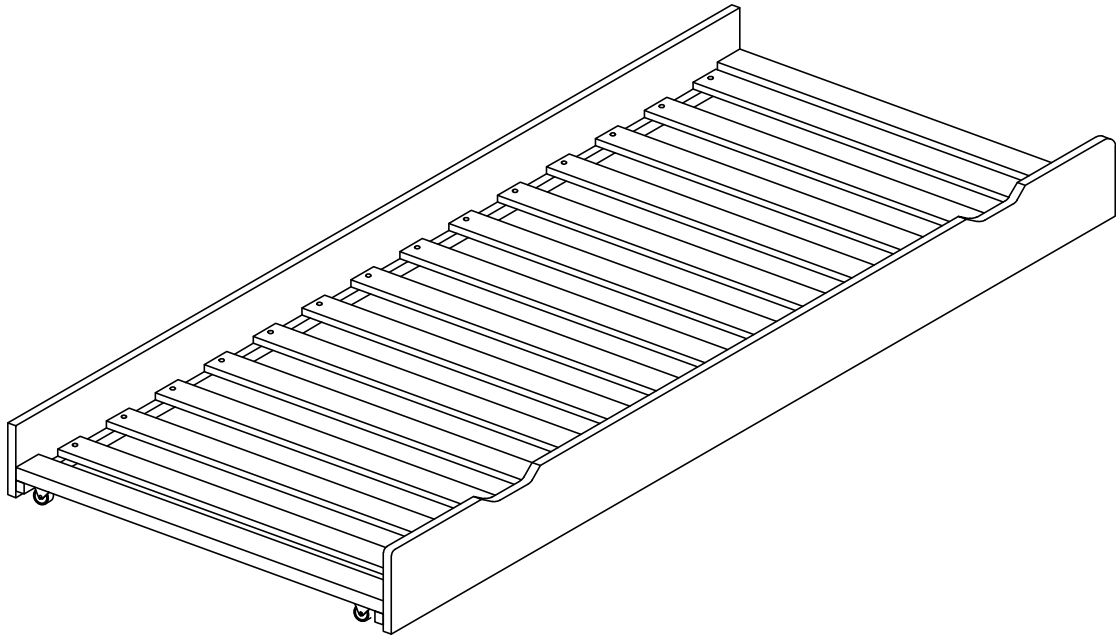
				
I	G	J	D	E
8 PCS	28 PCS	4 PCS	1 PC	2 PCS



DO NOT USE POWER TOOLS AS THIS MAY DAMAGE THE FRAME AND WILL INVALIDATE ANY CLAIM.

DO NOT USE POWER TOOLS





YOUR COPELLA GUEST BED TRUNDLE NOW READY FOR USE.

Please dispose of all packaging safely.

## General Care & Maintenance

Wipe clean with a slightly damp cloth.  
Avoid the use of all household cleaners and abrasives.

Periodically check all screw & fixings to ensure they are secure.

When moving your product, carefully lift into place. Never drag or push the product across the floor as this will cause damage to the joints. If the product is used on hard flooring, such as wood or laminated floor, you must place some protection under the legs to stop the product from moving. If this is not adhered to, it could result in failure to the product that will invalidate the warranty.

For more information on cleaning and product care visit:  
<https://www.happybeds.co.uk/help-and-advice>

## Notes

In the unlikely event that you have problems putting this product together or have damaged or missing parts, please contact us by visiting:  
<https://www.happybeds.co.uk/customer-service>