



Assembly Instructions

Important before assembly:

Read these instructions carefully before assembling or using the product.

Please check the contents of the boxes before attempting to assemble this product. The instructions will have a checklist of parts and fittings.

Assemble the product as close to its intended final location/room as possible.

Health & Safety:

This product or some parts of this product will be heavy. Please use an assistant when lifting.

Please keep small parts out of reach of children.

Always use on a level, even surface.

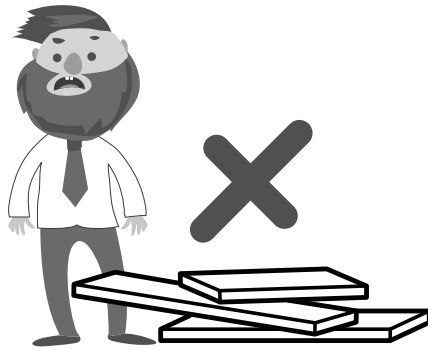
DO NOT jump on the product or any of its parts.

DO NOT use this product if any parts are missing, damaged or worn.

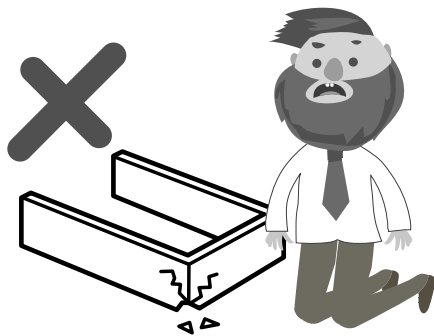
DO NOT use this product unless all fixings are secured.

Further instructions are on the following pages.

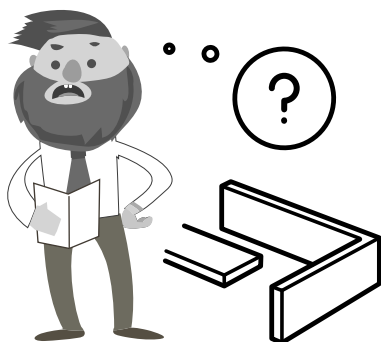
Please keep these instructions for future reference.



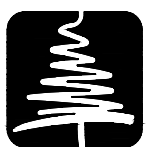
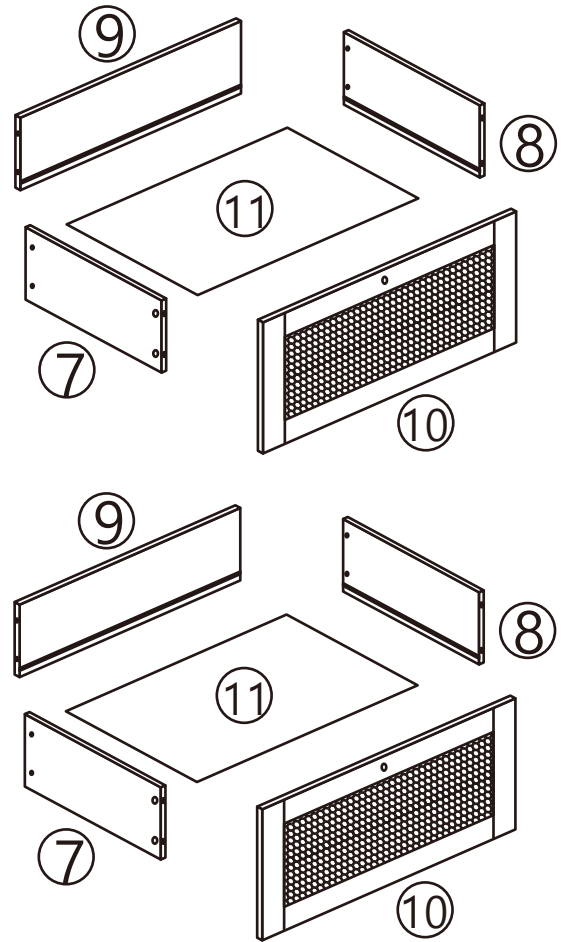
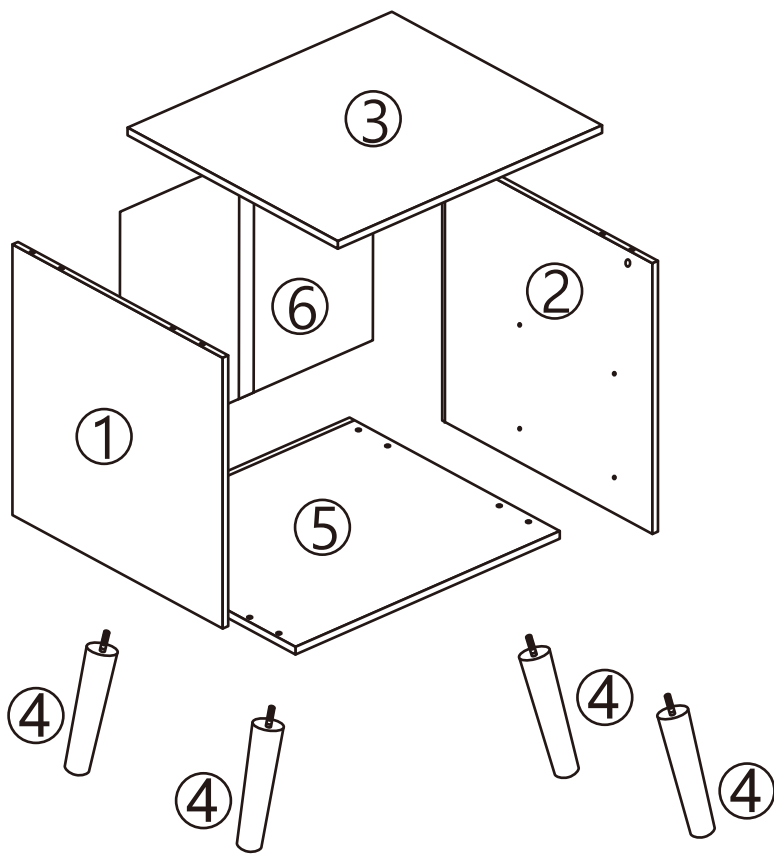
This product or some parts of this product will be heavy. Please use an assistant when lifting.



Never drag or push the pieces across a hard or stone floor as this will cause damage to the joints. Use a carpet or a rug for extra care.





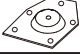









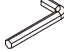






If you have problems assembling or have damaged or missing pieces, please contact our customer services (details at the back of these instructions)



Birlea

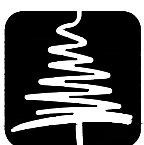
Suppliers of inspiration

Parts List				Hardware List		
Part	Description	Box	Qty	Part	Description	Qty
1	Side Panel(Left)	1	1	A	Cam Bolt 	12
2	Side Panel(Right)	1	1	B	Cam Lock 	12
3	Top Panel	1	1	C	Wooden Dowel 	8
4	Wooden Leg	1	4	D	Screw 	8
5	Bottom Panel	1	1	E	Metal Sheet 	4
6	Back Panel	1	1	F	Screw 	21
7	Drawer Side(Left)	1	2	G	Screw 	20
8	Drawer Side(Right)	1	2	H	Handle+Screw 	2
9	Drawer Back	1	2	I	Plastic Wedge+Screw 	4
10	Drawer Front	1	2	J	Foot pad 	4
11	Drawer Bottom	1	2	K	Hole sticker 	8
				L	Washer 	1
				M	Safe strap 	1
				N	Screw 	4
				O	Allen Key 	1
				DL	Rail 	2
				DR	Rail 	2
				CL	Rail 	2
				CR	Rail 	2

**** You will need a small mallet and a screwdriver for assembly.**

**** Some screws and wooden dowel may remain.**

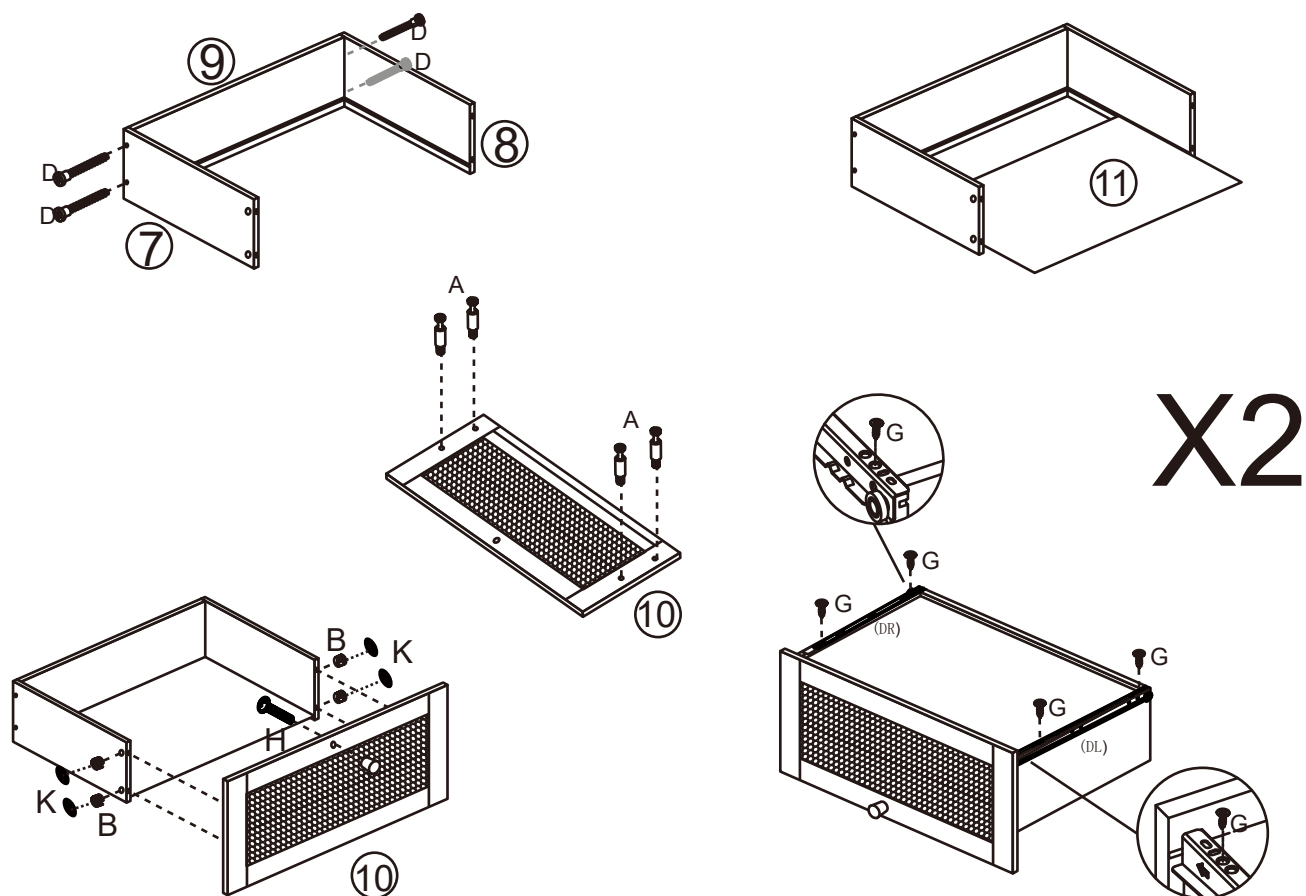
**** Note : To secure the item to the wall.**



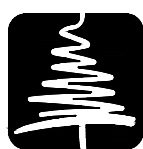
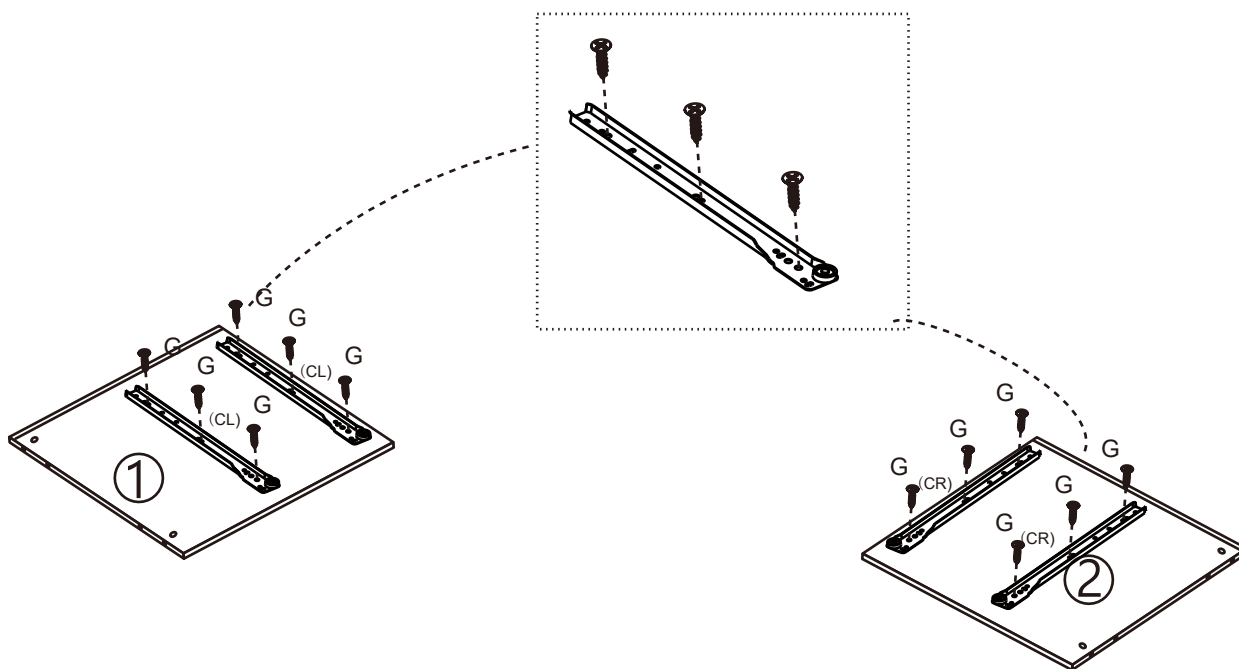
Birlea

Suppliers of inspiration

Step 1: Attach drawer back panel(9) to drawer side paanel(7),(8) using hardware D;
 Attach the bottom panel(11) before assembly the drawer front panel;
 Attach the drawer front panel(10) by hardware A,B,K;and then,assemble the handle(H);
 Attach the hardware(DL),(DR) by hardware G.
DO NOT use any power tools as this may damage the frame and will invalidate any claim.



Step 2: Attach the hardware(CL),(CR) on side panel(1),(2) by hardware G.
DO NOT use any power tools as this may damage the frame and will invalidate any claim.

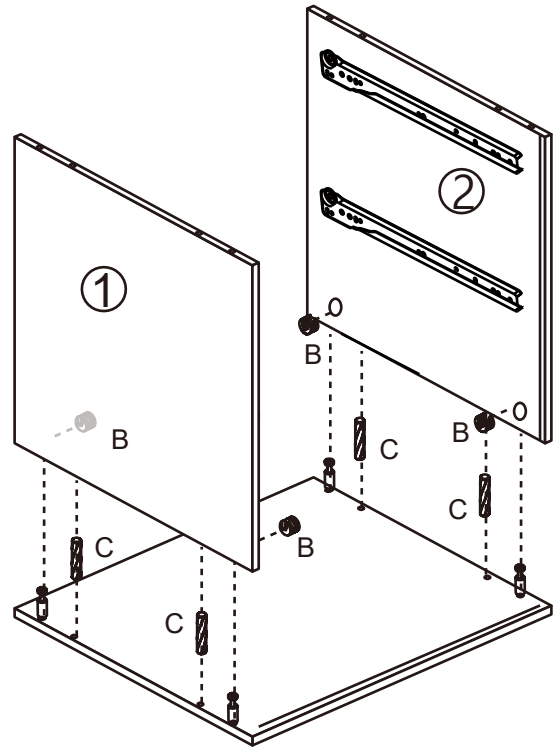
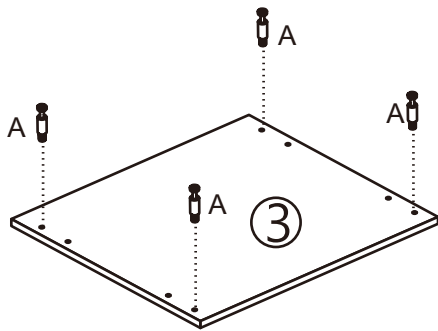


Birlea

Suppliers of inspiration

Step 3: Assemble top panel(3) with side panel(1),(2) by hardware A,B,C.

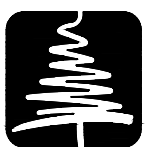
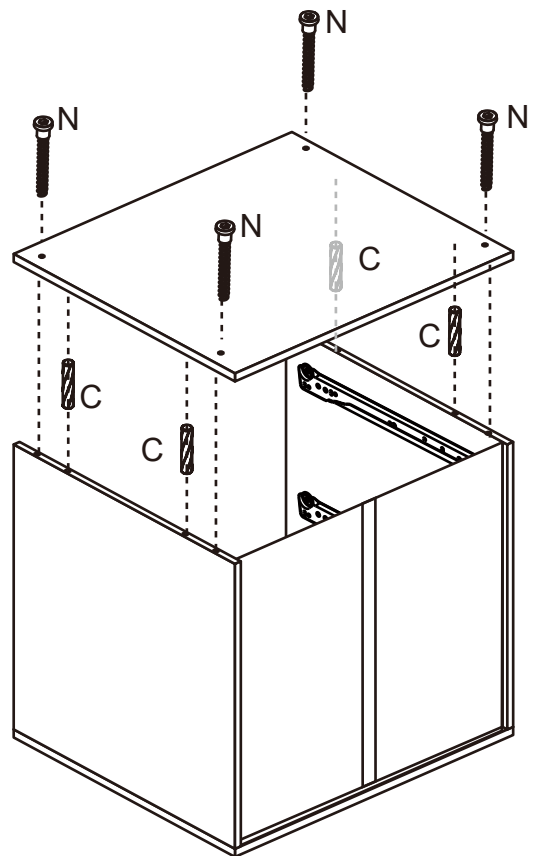
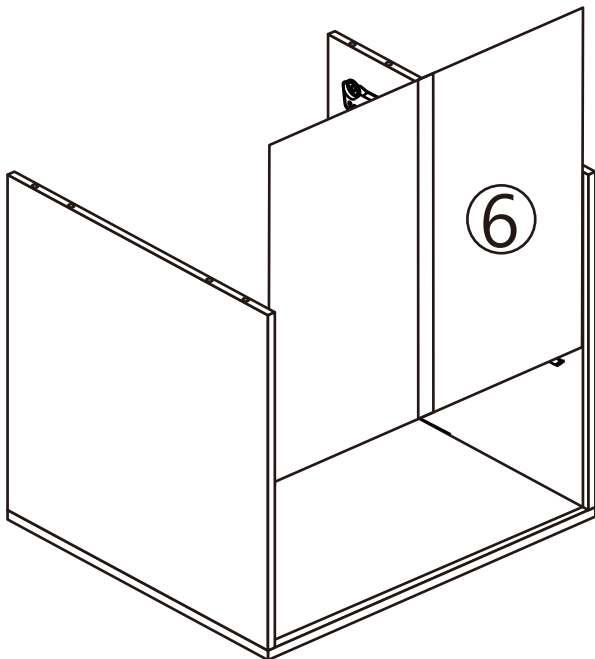
DO NOT use any power tools as this may damage the frame and will invalidate any claim.



Step 4: Attach the back panel(6) before assemble the bottom panel;

Attach the bottom panel(5) by hardware C,N.

DO NOT use any power tools as this may damage the frame and will invalidate any claim.

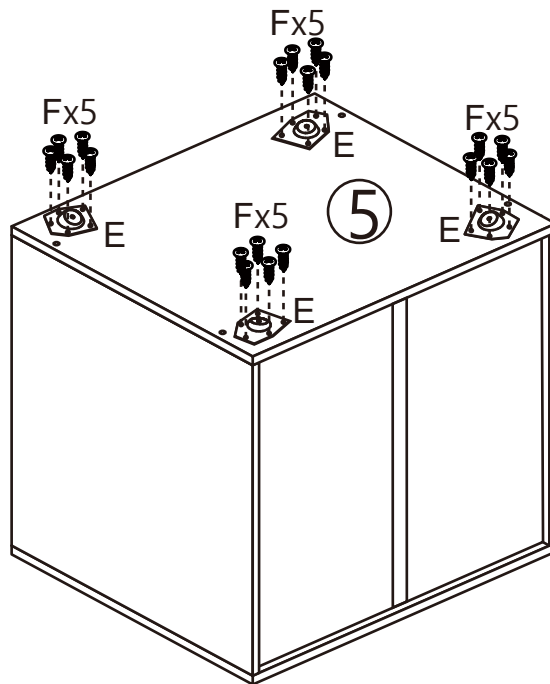


Birlea

Suppliers of inspiration

Step 5: Attach the leg sheet(E) by hardware F.

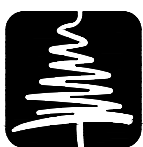
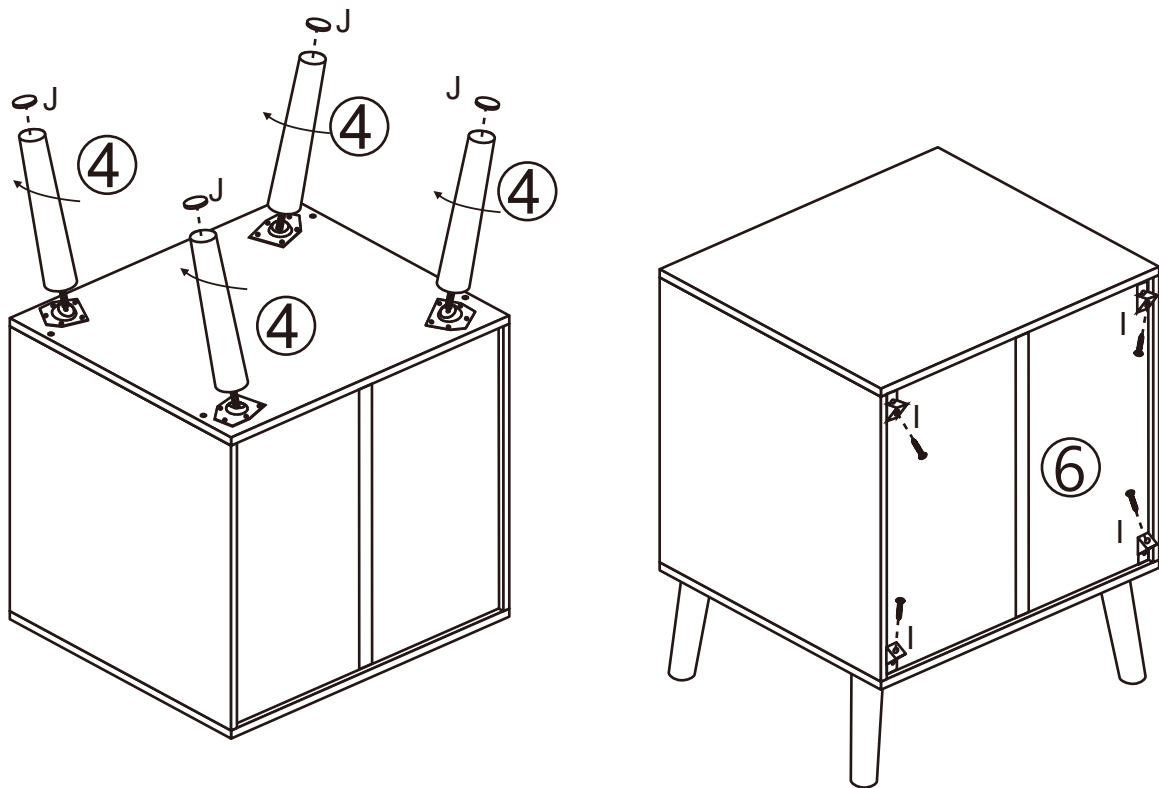
DO NOT use any power tools as this may damage the frame and will invalidate any claim.



Step 6: Attach the legs(4),and then attach the pad(J);

Attach the hardware I on the back of the item.

DO NOT use any power tools as this may damage the frame and will invalidate any claim.

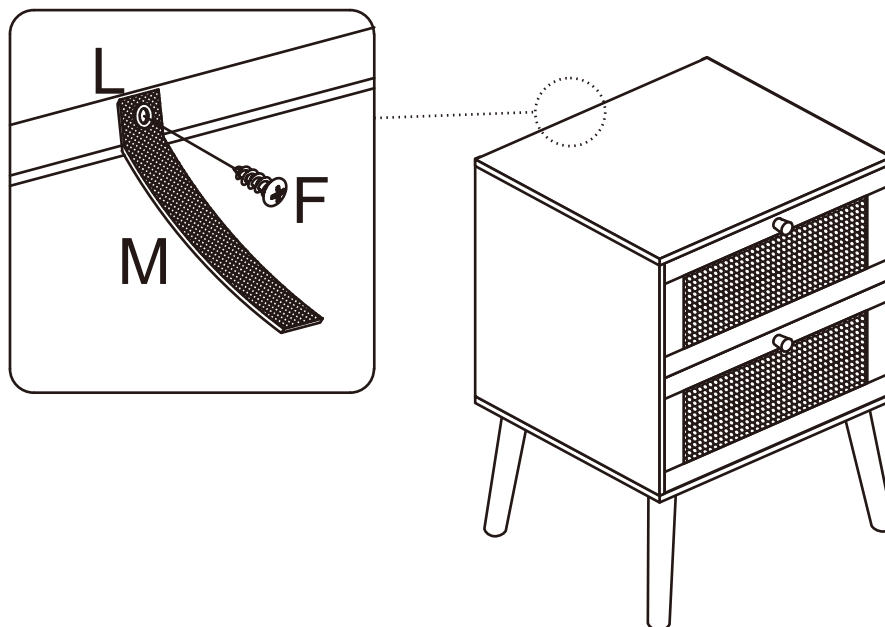


Birlea

Suppliers of inspiration

Step 7: Secure the safety belt (M) by hardware F, L.

DO NOT use any power tools as this may damage the frame and will invalidate any claim.

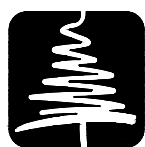


PLEASE NOTE that wall fixings are not supplied as different wall materials require different fixing devices. You must use fixings devices suitable for the type of wall you intend to mount product to. Ensure the head of any screw used has a diameter greater than the mounting hole and the fixing is safe and secure before use.

Birlea Furniture advise you use the wall straps provided to further enhance the safety of this product.

Additional Information:

- For complete product information, images and dimension diagrams please visit the website www.birlea.com
- If you have any issues with your item please contact the retailer directly you purchased it from who will be able to resolve any issues with Birlea.
- Why don't you send us photos of your assembled furniture to info@birlea.com to be shared in our #birleahome feature on instagram.



Birlea

Suppliers of inspiration

Please dispose of all packaging safely.

General Care & Maintenance

Wipe clean with a slightly damp cloth.
Avoid the use of all household cleaners and abrasives.

Periodically check all screw & fixings to ensure they are secure.

When moving your product, carefully lift into place. Never drag or push the product across the floor as this will cause damage to the joints. If the product is used on hard flooring, such as wood or laminated floor, you must place some protection under the legs to stop the product from moving. If this is not adhered to, it could result in failure to the product that will invalidate the warranty.

For more information on cleaning and product care visit:
<https://www.happybeds.co.uk/help-and-advice>

Notes

In the unlikely event that you have problems putting this product together or have damaged or missing parts, please contact us by visiting:
<https://www.happybeds.co.uk/customer-service>