

## Assembly Instructions

### Important before assembly:

Read these instructions carefully before assembling or using the product.

Please check the contents of the boxes before attempting to assemble this product. The instructions will have a checklist of parts and fittings.

Assemble the product as close to its intended final location/room as possible.

### Health & Safety:

This product or some parts of this product will be heavy. Please use an assistant when lifting.

Please keep small parts out of reach of children.

Always use on a level, even surface.

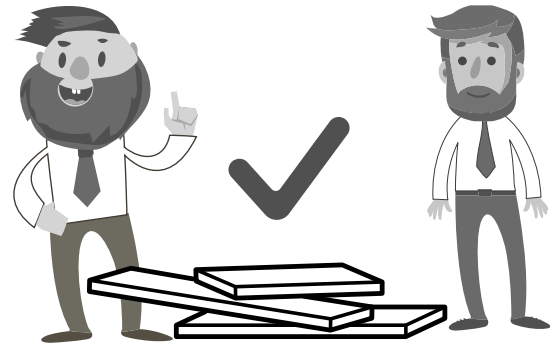
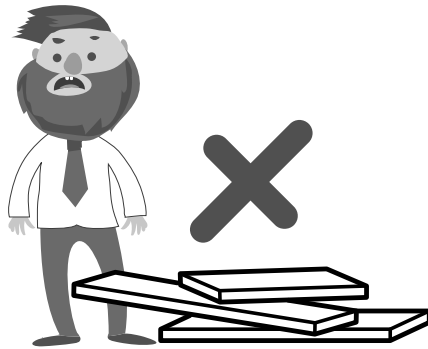
DO NOT jump on the product or any of its parts.

DO NOT use this product if any parts are missing, damaged or worn.

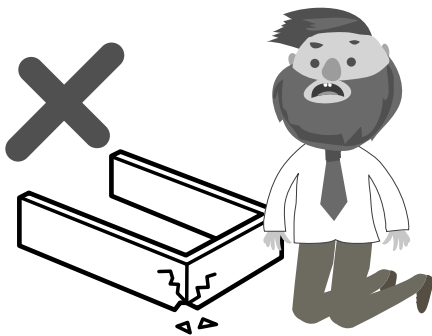
DO NOT use this product unless all fixings are secured.

**Further instructions are on the following pages.**

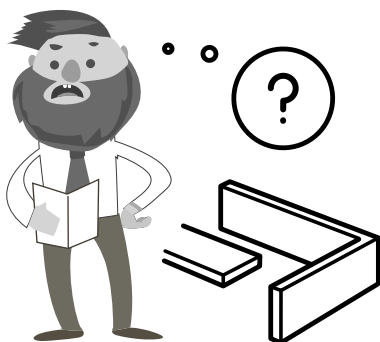
Please keep these instructions for future reference.


















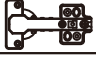







This product or some parts of this product will be heavy. Please use an assistant when lifting.



Never drag or push the pieces across a hard or stone floor as this will cause damage to the joints. Use a carpet or a rug for extra care.



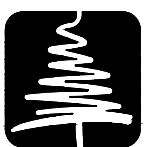
If you have problems assembling or have damaged or missing pieces, please contact our customer services (details at the back of these instructions)

| Parts List |                     |     |     | Hardware List |   |     |
|------------|---------------------|-----|-----|---------------|---|-----|
| Part       | Description         | Box | Qty | Part          | Description   | Qty |
| 1          | Side Panel(Left)    | 1   | 1   | A             | Cam Bolt             | 21  |
| 2          | Side Panel(Right)   | 1   | 1   | B             | Cam Lock             | 21  |
| 3          | Top Panel           | 2   | 1   | C             | Wooden Dowel         | 14  |
| 4          | Bottom Panel        | 2   | 1   | D             | Screw                | 5   |
| 5          | Hanging             | 2   | 1   | E             | Handle+Screw         | 4   |
| 6          | Back Panel          | 1   | 1   | F             | Screw                | 2   |
| 7          | Back Rail           | 2   | 1   | G             | Screw                | 50  |
| 8          | Middle Divider      | 2   | 1   | H             | Tube bracket         | 2   |
| 9          | Drawer Front        | 2   | 1   | I             | Plastic Wedge+Screw  | 10  |
| 10         | Drawer Support Rail | 2   | 1   | J             | Food Pad             | 4   |
| 11         | Wooden Leg          | 2   | 4   | K             | Hole Sticker         | 10  |
| 12         | Door panel          | 1   | 2   | L             | Washer               | 2   |
| 13         | Drawer Back         | 2   | 1   | M             | Safe Strap           | 2   |
| 14         | Drawer Side(Left)   | 2   | 1   | N             | Screw                | 6   |
| 15         | Drawer Side(Right)  | 2   | 1   | O             | Allen key           | 1   |
| 16         | Drawer Bottom       | 2   | 1   | P             | Hinges             | 6   |
|            |                     |     |     | Q             | Screw              | 8   |
|            |                     |     |     | DL            | Rail               | 1   |
|            |                     |     |     | DR            | Rail               | 1   |
|            |                     |     |     | CL            | Rail               | 1   |
|            |                     |     |     | CR            | Rail               | 1   |
|            |                     |     |     | R             | Door Stopper       | 4   |
|            |                     |     |     | S             | Screw              | 4   |

**\*\* You will need a small mallet and a screwdriver for assembly.**

**\*\* Some screws and wooden dowel**

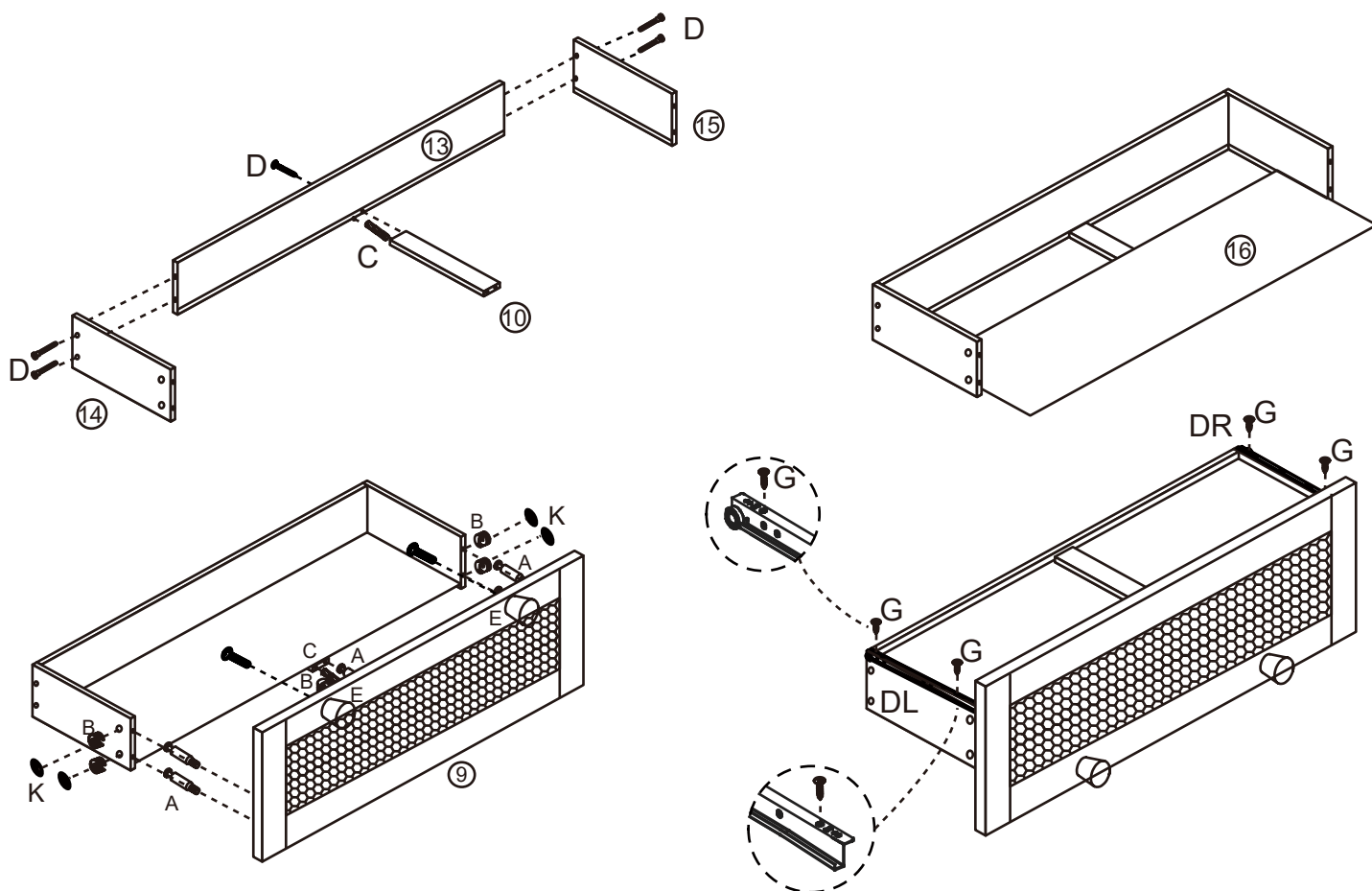
**\*\* Note : To secure the item to the wall.**



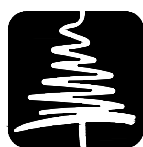
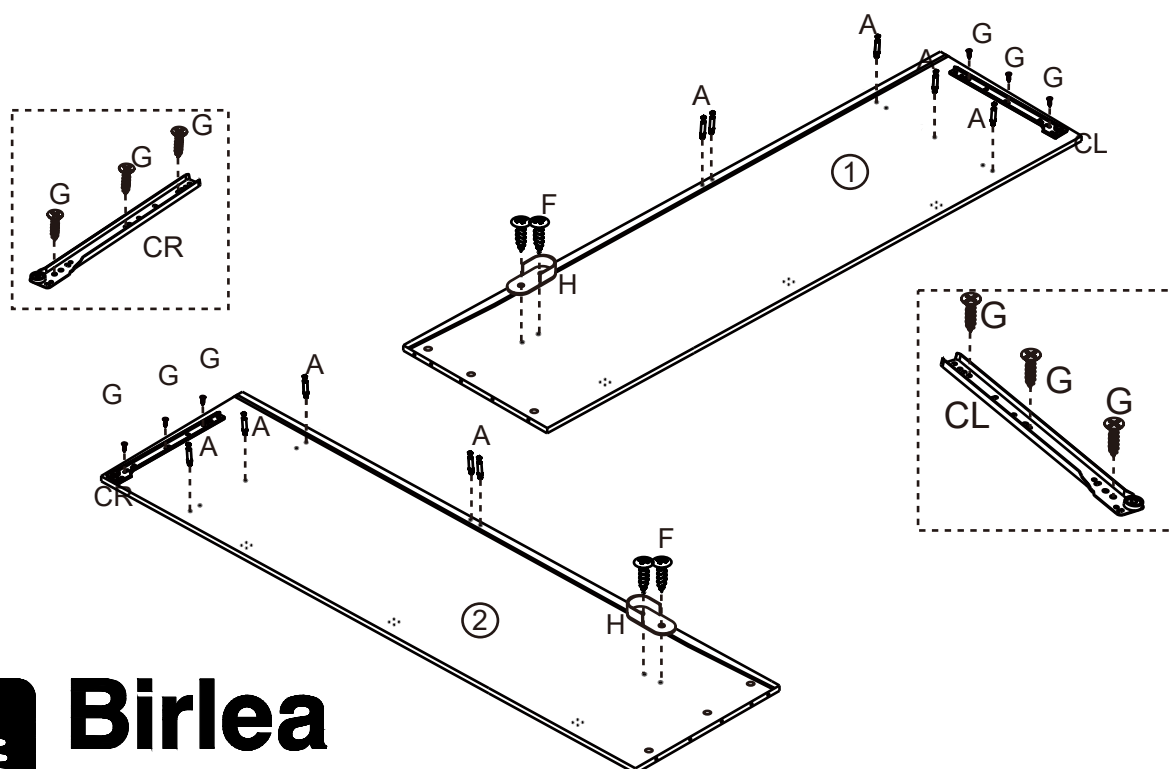
**Birlea**

Suppliers of inspiration

**Step 1:** Assemble drawer side panel(14),(15),drawer back(13)and drawer support rail(10) by hardwareC,D;  
 Attach the drawer bottom panel 16;Then,assemble the drawer front panel by hardwareA,B,C,K;  
 Then,attach the handle E.  
 Assemble hardware (DR),(DL) by hardware G.  
**DO NOT use any power tools as this may damage the frame and will invalidate any claim.**



**Step 2:** Assemble hardware(CL),(CR) on side panels(1),(2) by hardware G;Then,attach the hardware A on both panels;Then,assemble hardware H by hardware F.  
**DO NOT use any power tools as this may damage the frame and will invalidate any claim.**



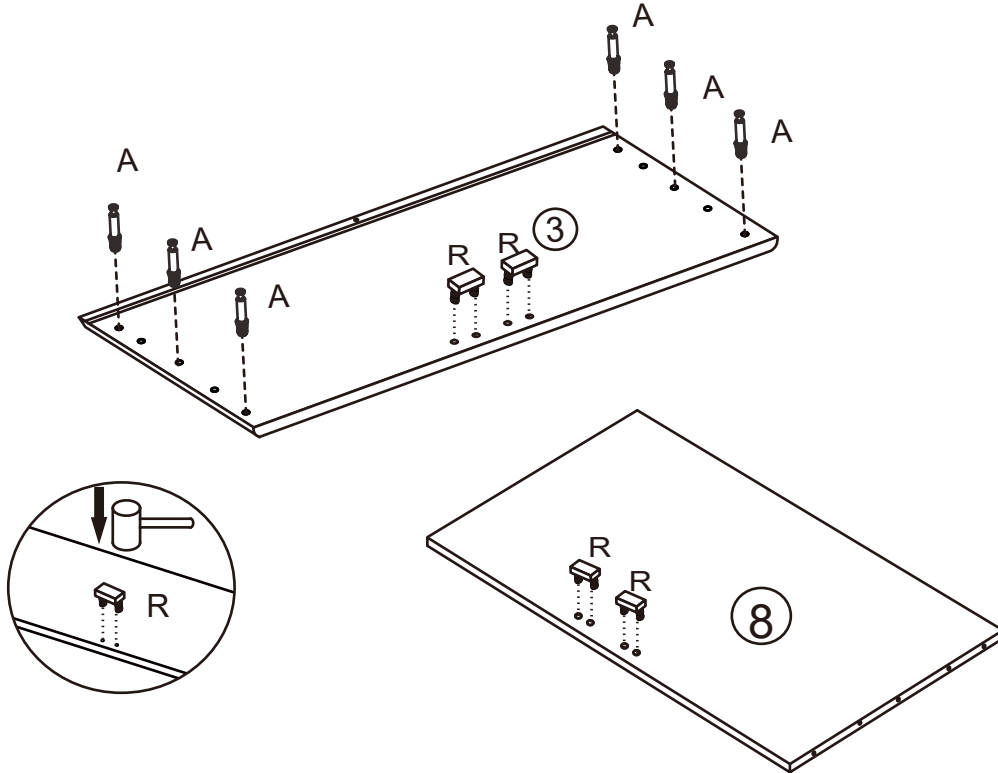
**Birlea**

Suppliers of inspiration

**Step 3:** Attach hardware A on top panel(3);

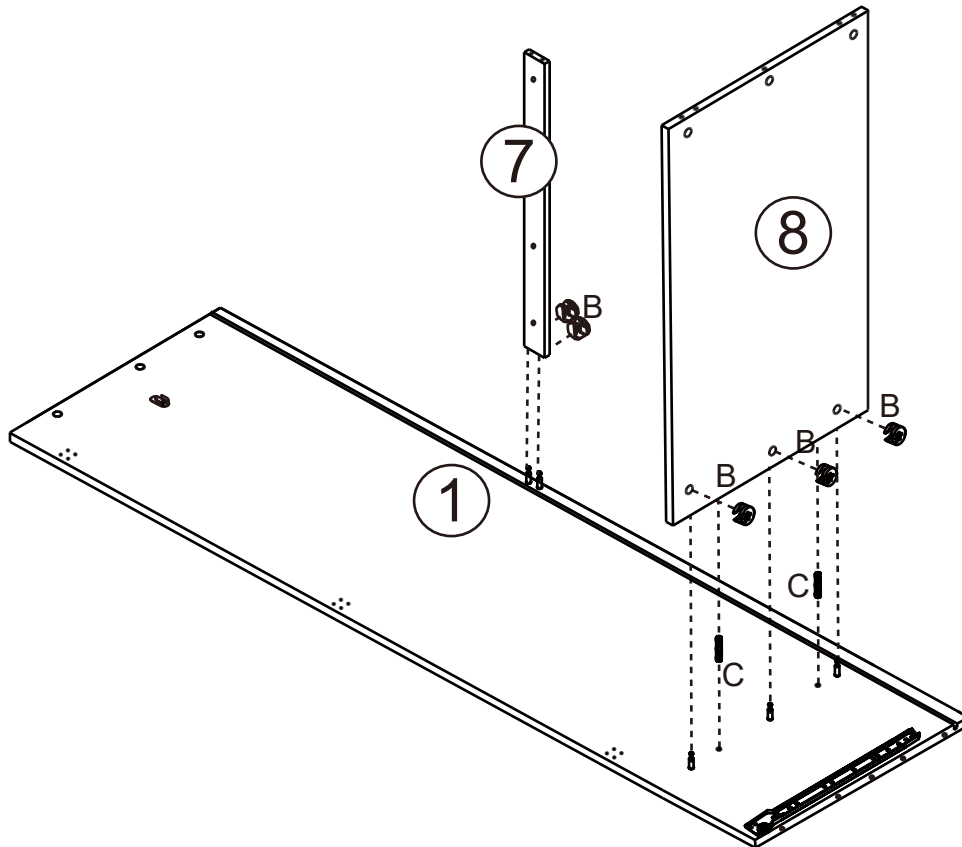
Then,attach the door stopper(R) on top panel(3) and middle divider(8).

**DO NOT use any power tools as this may damage the frame and will invalidate any claim.**



**Step 4:** Assemble the back rail(7),middle divider(8) with side panel(1) by hardware B,C;

**DO NOT use any power tools as this may damage the frame and will invalidate any claim.**

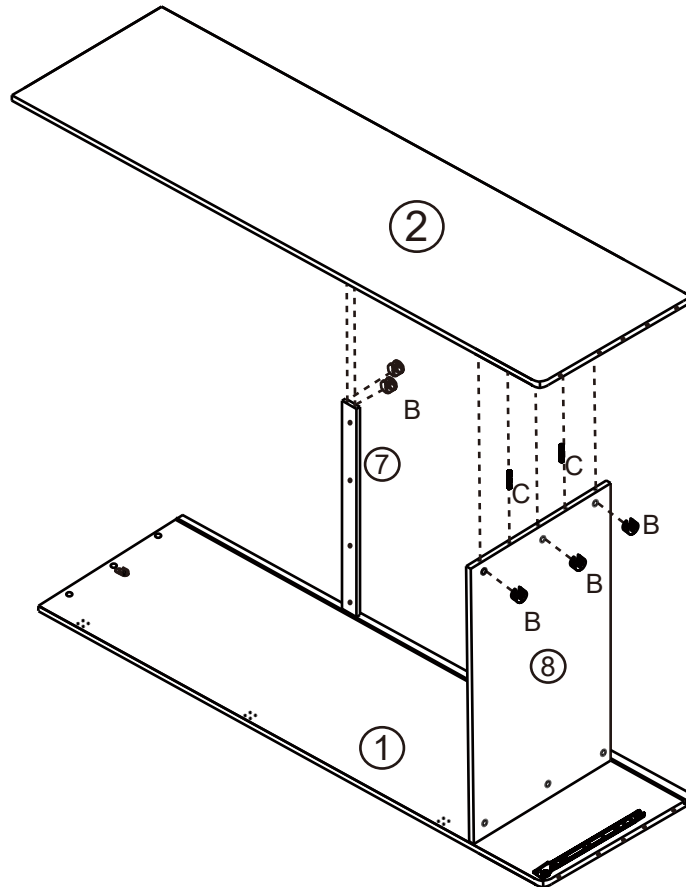


**Birlea**

Suppliers of inspiration

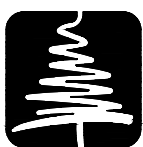
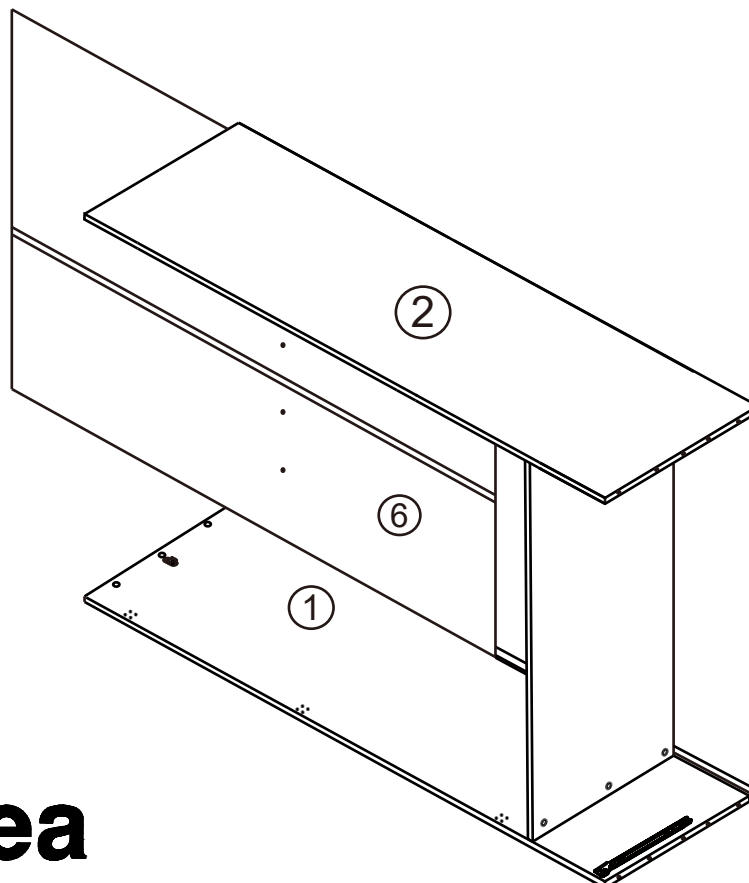
**Step 5:** Assemble the right side panel(2) by hardware B,C.

**DO NOT use any power tools as this may damage the frame and will invalidate any claim.**



**Step 6:** Attach the back panel(6).

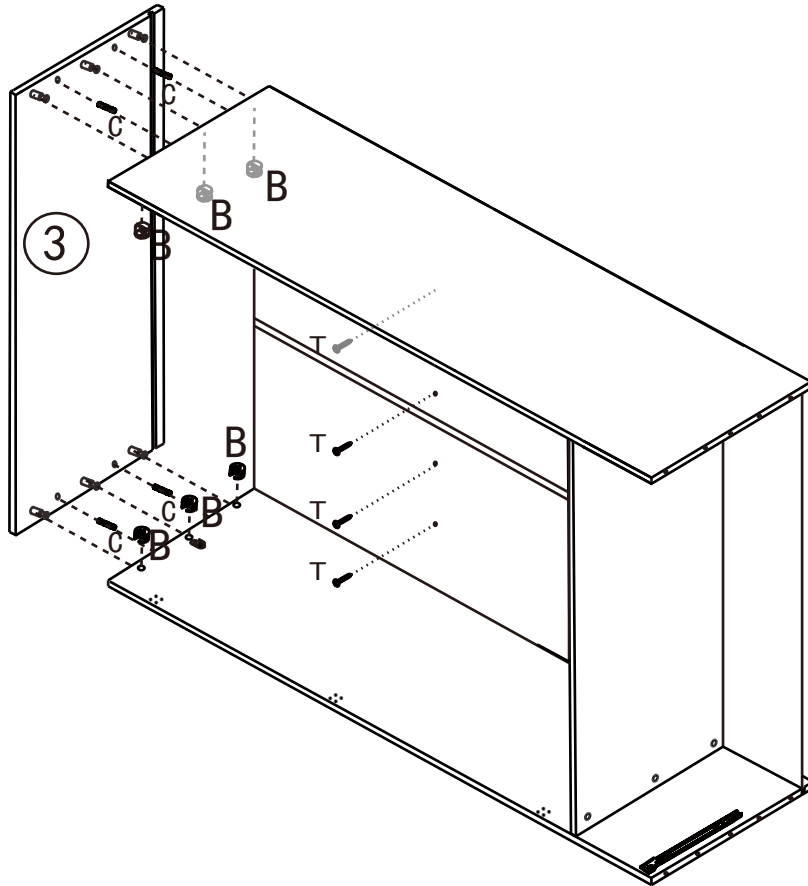
**DO NOT use any power tools as this may damage the frame and will invalidate any claim.**



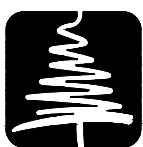
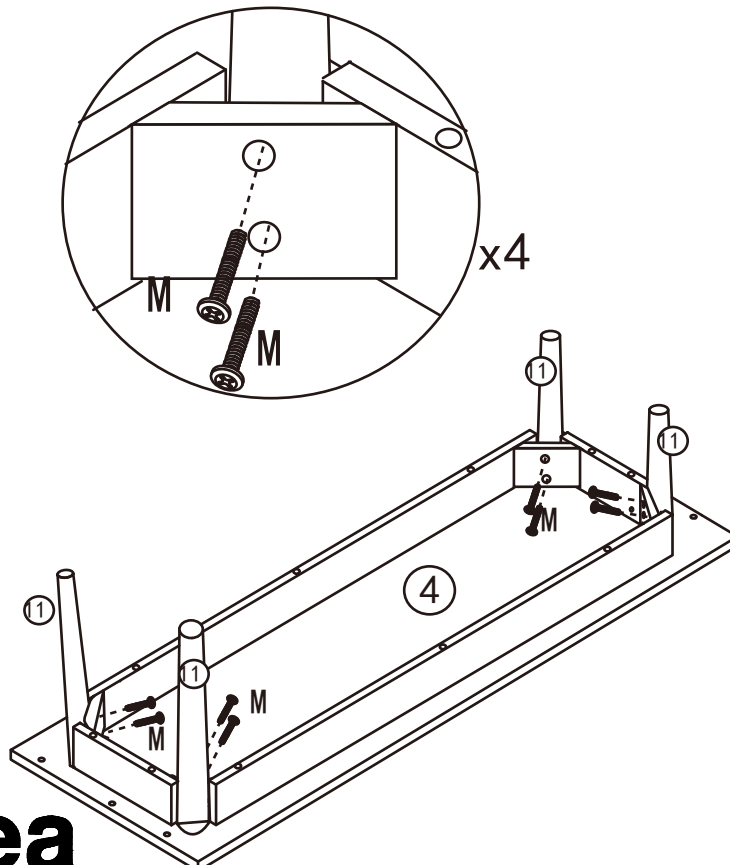
**Birlea**

Suppliers of inspiration

**Step 7:** Attach the top panel(3) with frame by hardware B,C;Then, connect the back panel&back rail by hardware T.  
**DO NOT use any power tools as this may damage the frame and will invalidate any claim.**



**Step 8** Assemble the leg(11) with base frame(4) by hardware M;  
**DO NOT use any power tools as this may damage the frame and will invalidate any claim.**

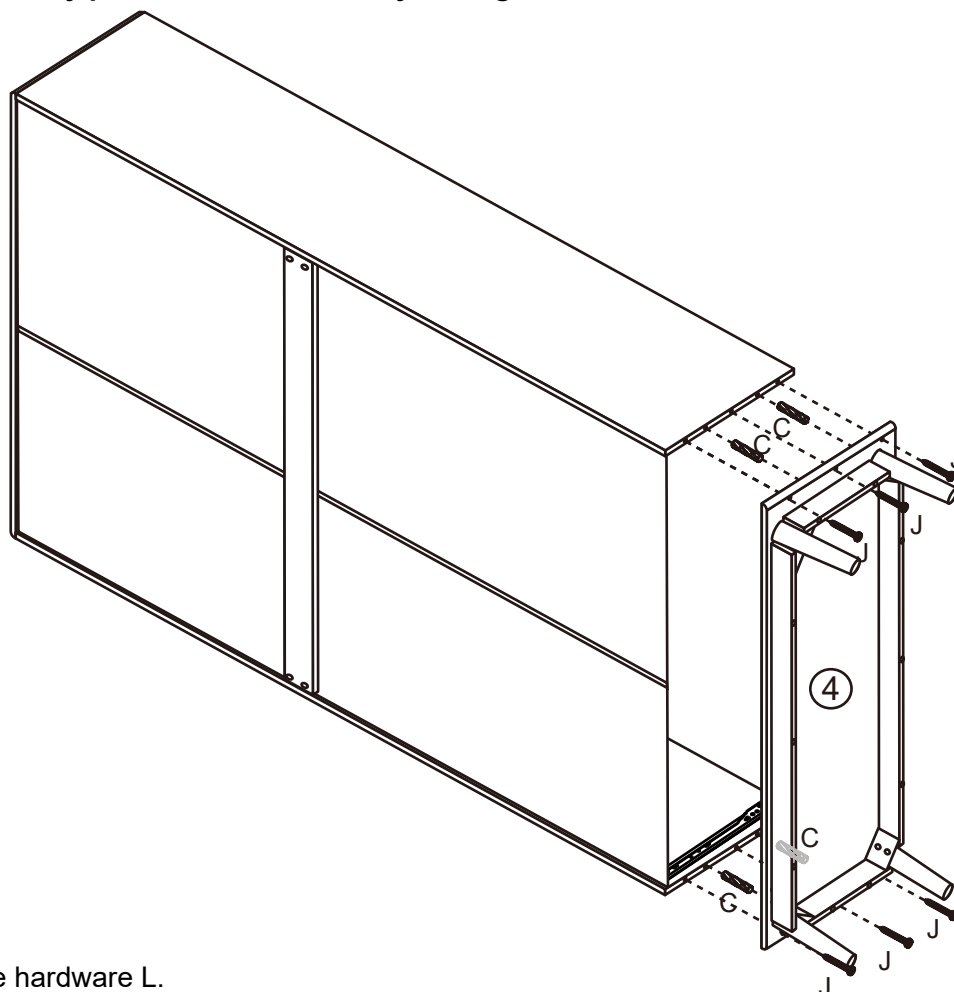


**Birlea**

Suppliers of inspiration

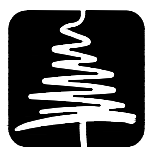
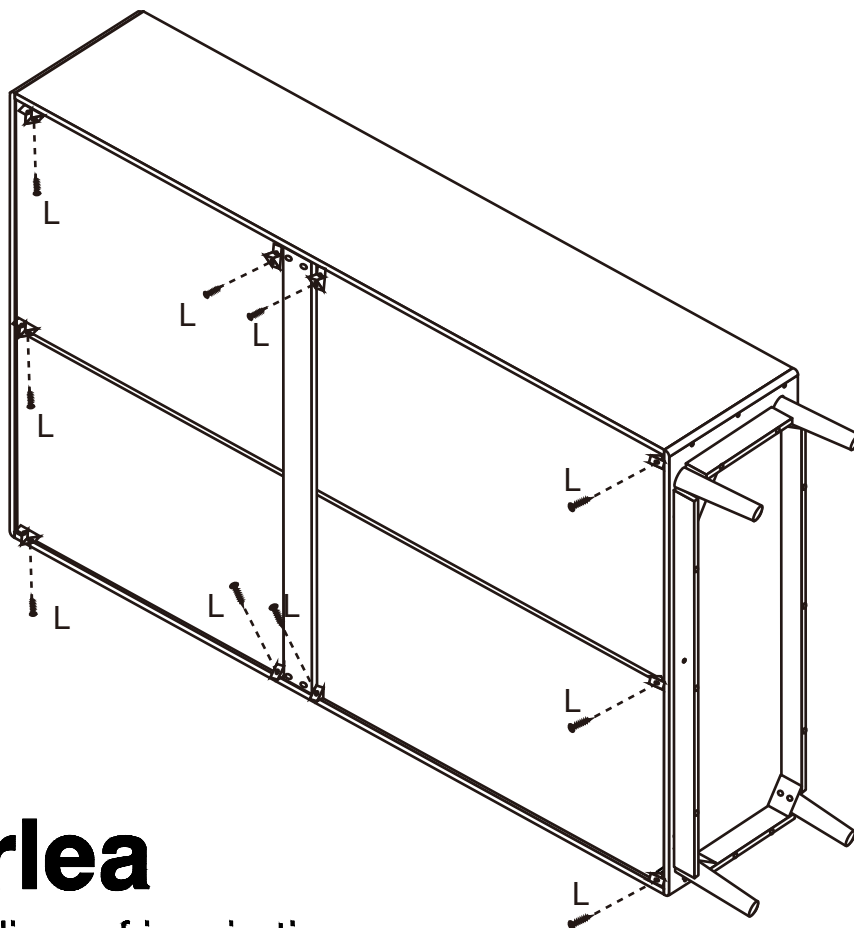
**Step 9:** Assemble the base with frame by hardware C,J.

**DO NOT use any power tools as this may damage the frame and will invalidate any claim.**



**Step 10:** Attach the hardware L.

**DO NOT use any power tools as this may damage the frame and will invalidate any claim.**



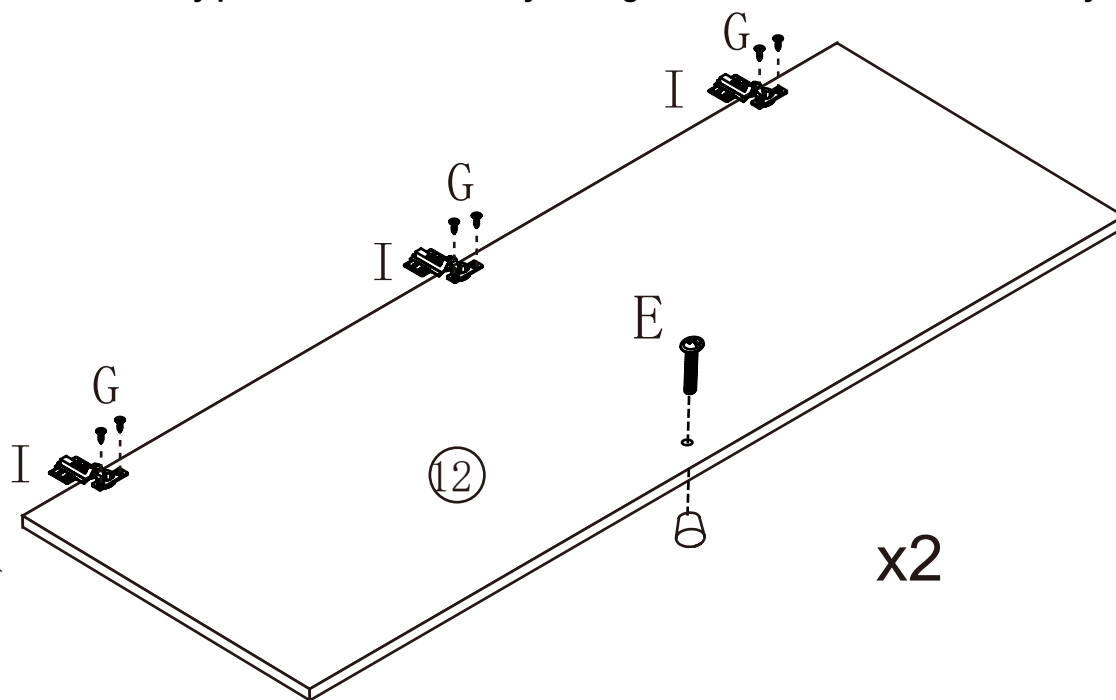
**Birlea**

Suppliers of inspiration



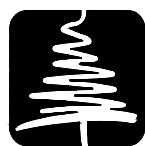
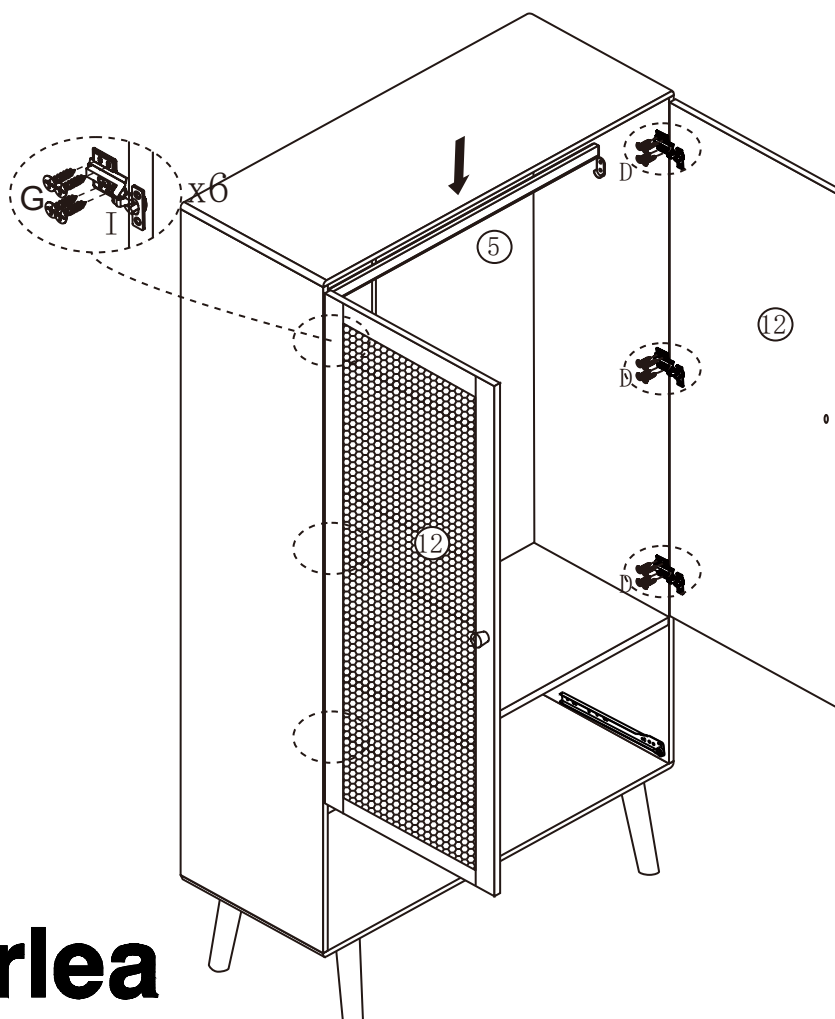
**Step 11:** Attach hardware I on door(12) by hardware D;  
Then,attach the handle E.

**DO NOT use any power tools as this may damage the frame and will invalidate any claim.**



**Step 12:** Assemble the door(12) with side panels(1),(2) by hardware G;  
Attach the hanging 5;

**DO NOT use any power tools as this may damage the frame and will invalidate any claim.**

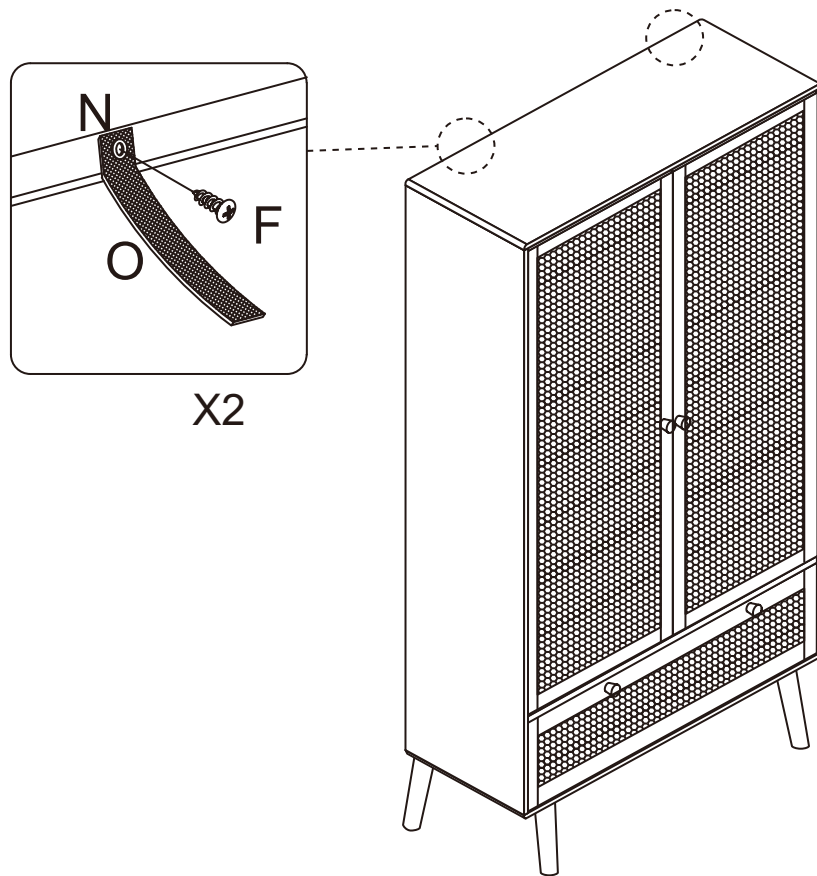


**Birlea**

Suppliers of inspiration

**Step 13:** Secure the safety strap(O) by hardware F,N.

**DO NOT use any power tools as this may damage the frame and will invalidate any claim.**



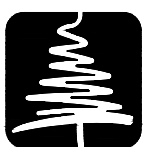
**PLEASE NOTE** that wall fixings are not supplied as different wall materials require different fixing devices. You must use fixings devices suitable for the type of wall you intend to mount product to. Ensure the head of any screw used has a diameter greater than the mounting hole and the fixing is safe and secure before use.

Birlea Furniture advise you use the wall straps provided to further enhance the safety of this product.

### **Additional Information:**

- For complete product information, images and dimension diagrams please visit the website [www.birlea.com](http://www.birlea.com)
- If you have any issues with your item please contact the retailer directly you purchased it from who will be able to resolve any issues with Birlea.
- Why don't you send us photos of your assembled furniture to [info@birlea.com](mailto:info@birlea.com) to be shared in our #birleahome feature on instagram.

滚滚长江东逝水



# **Birlea**

Suppliers of inspiration

Please dispose of all packaging safely.

## General Care & Maintenance

Wipe clean with a slightly damp cloth.  
Avoid the use of all household cleaners and abrasives.

Periodically check all screw & fixings to ensure they are secure.

When moving your product, carefully lift into place. Never drag or push the product across the floor as this will cause damage to the joints. If the product is used on hard flooring, such as wood or laminated floor, you must place some protection under the legs to stop the product from moving. If this is not adhered to, it could result in failure to the product that will invalidate the warranty.

For more information on cleaning and product care visit:  
<https://www.happybeds.co.uk/help-and-advice>

## Notes

In the unlikely event that you have problems putting this product together or have damaged or missing parts, please contact us by visiting:  
<https://www.happybeds.co.uk/customer-service>