

## **Assembly Instructions**

### **Important before assembly:**

Read these instructions carefully before assembling or using the product.

Please check the contents of the boxes before attempting to assemble this product. The instructions will have a checklist of parts and fittings.

Assemble the product as close to its intended final location/room as possible.

### **Health & Safety:**

This product or some parts of this product will be heavy. Please use an assistant when lifting.

Please keep small parts out of reach of children.

Always use on a level, even surface.

DO NOT jump on the product or any of its parts.

DO NOT use this product if any parts are missing, damaged or worn.

DO NOT use this product unless all fixings are secured.

**Further instructions are on the following pages.**

Please keep these instructions for future reference.



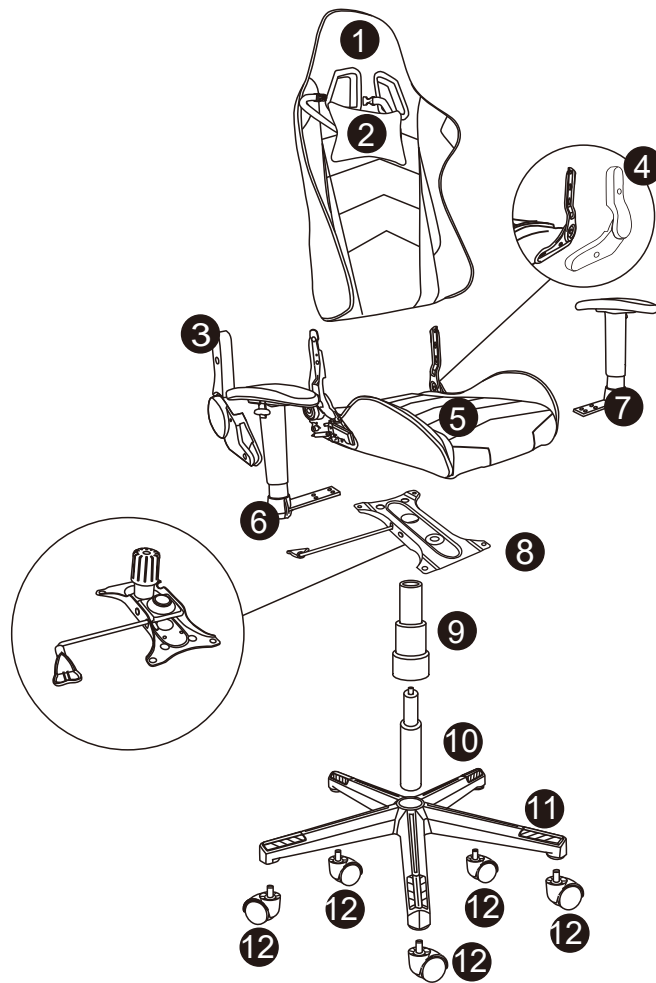
This product or some parts of this product will be heavy. Please use an assistant when lifting.



Never drag or push the pieces across a hard or stone floor as this will cause damage to the joints. Use a carpet or a rug for extra care.



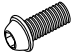




If you have problems assembling or have damaged or missing pieces, please contact our customer services (details at the back of these instructions)



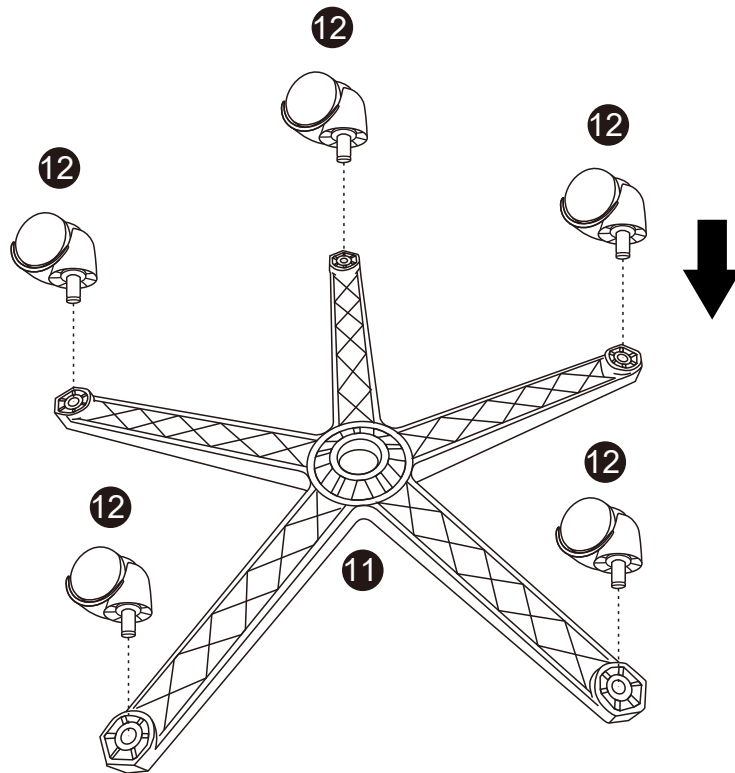
### Parts List

PART	DESCRIPTION	QTY	BOX	PART	DESCRIPTION	QTY	BOX
1	Backrest	1	1	7	Left Armrest	1	1
2	Headrest	1	1	8	Mechanism	1	1
3	Right Plastic Cover	1	1	9	Telescoping Cover	1	1
4	Left Plastic Cover	1	1	10	Gas Lift	1	1
5	Seat Cushion	1	1	11	Star Base	1	1
6	Right Armrest	1	1	12	Castor	5	1

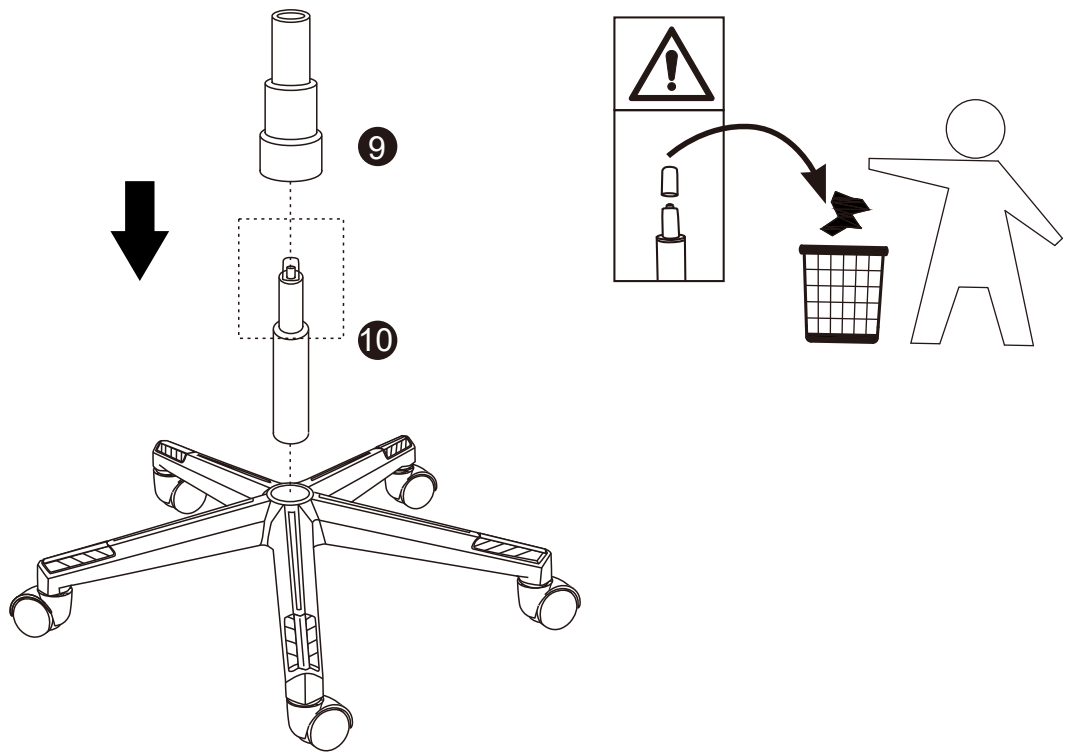
## HARDWARE (IN BOX 1)

A		M8x20mm	16	D		M5x10mm	2
B		Ø17xØ8.5x1mm	4	E			1
C		M5x8mm	4				

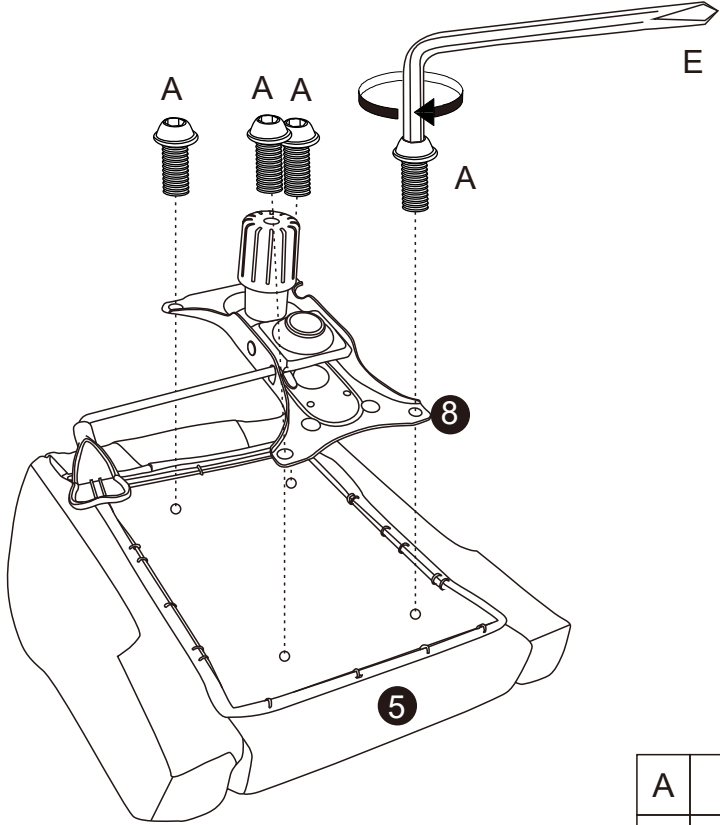
01




02

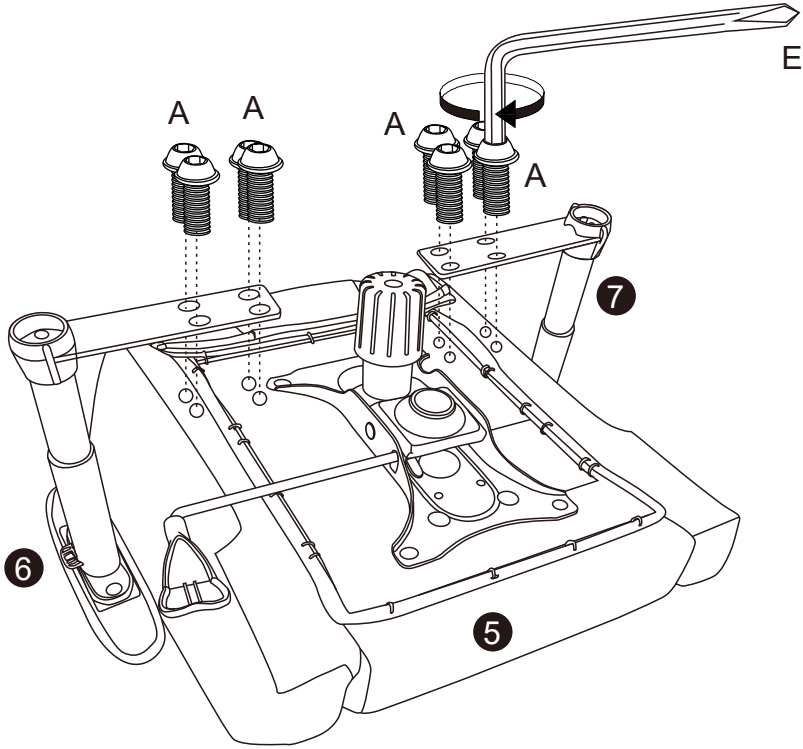




# 03



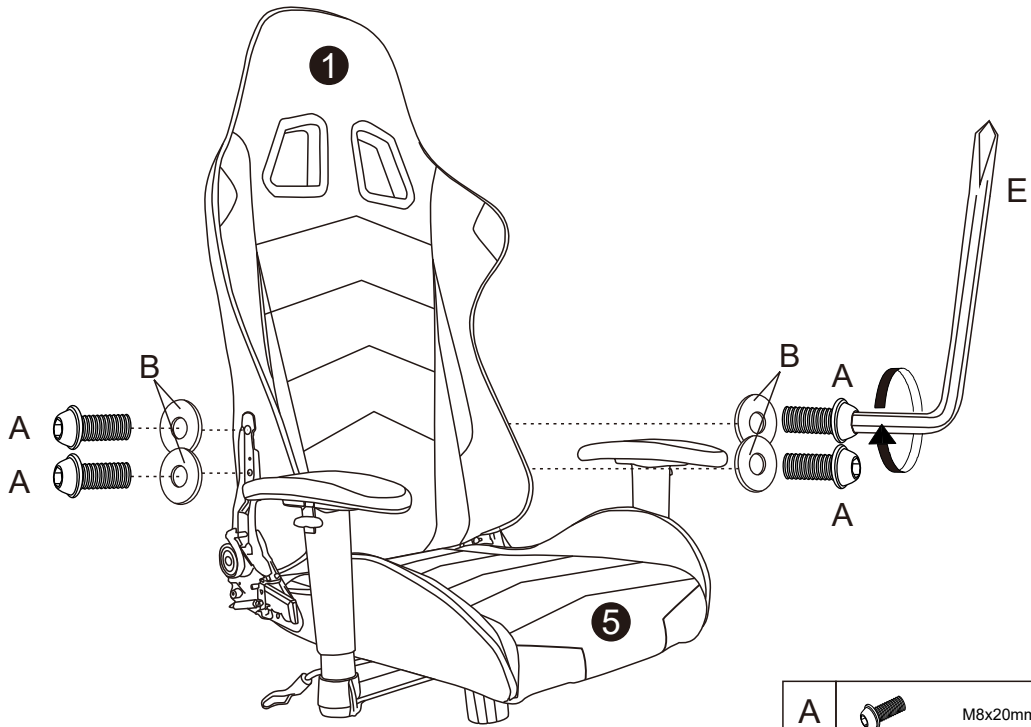
A		M8x20mm	4
E			1




# 04



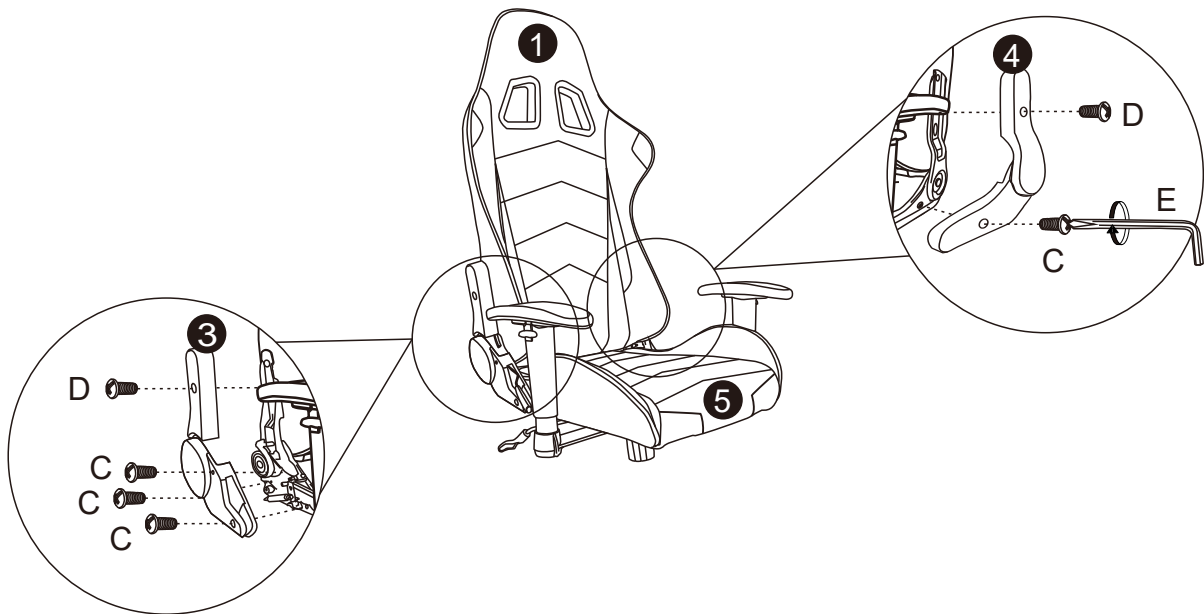
A		M8x20mm	8
E			1




# 05



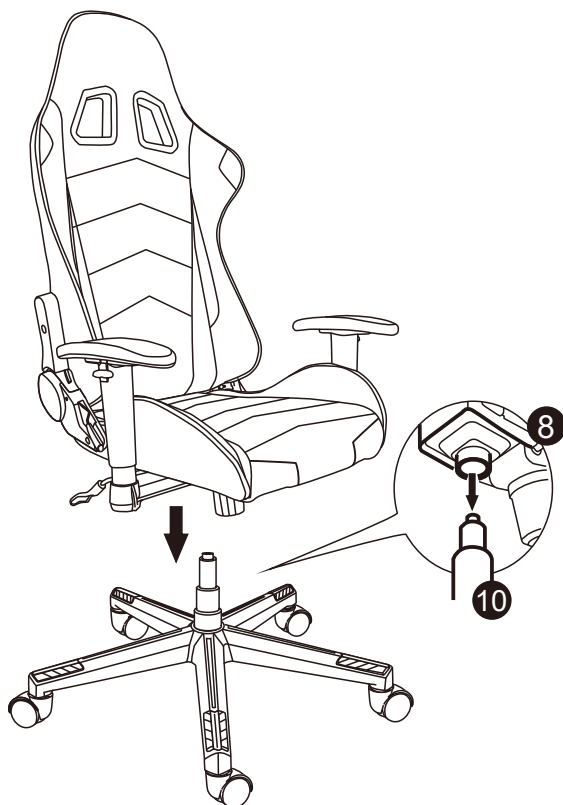
A		M8x20mm	4
B		Ø17x1mm	4
E			1

# 06

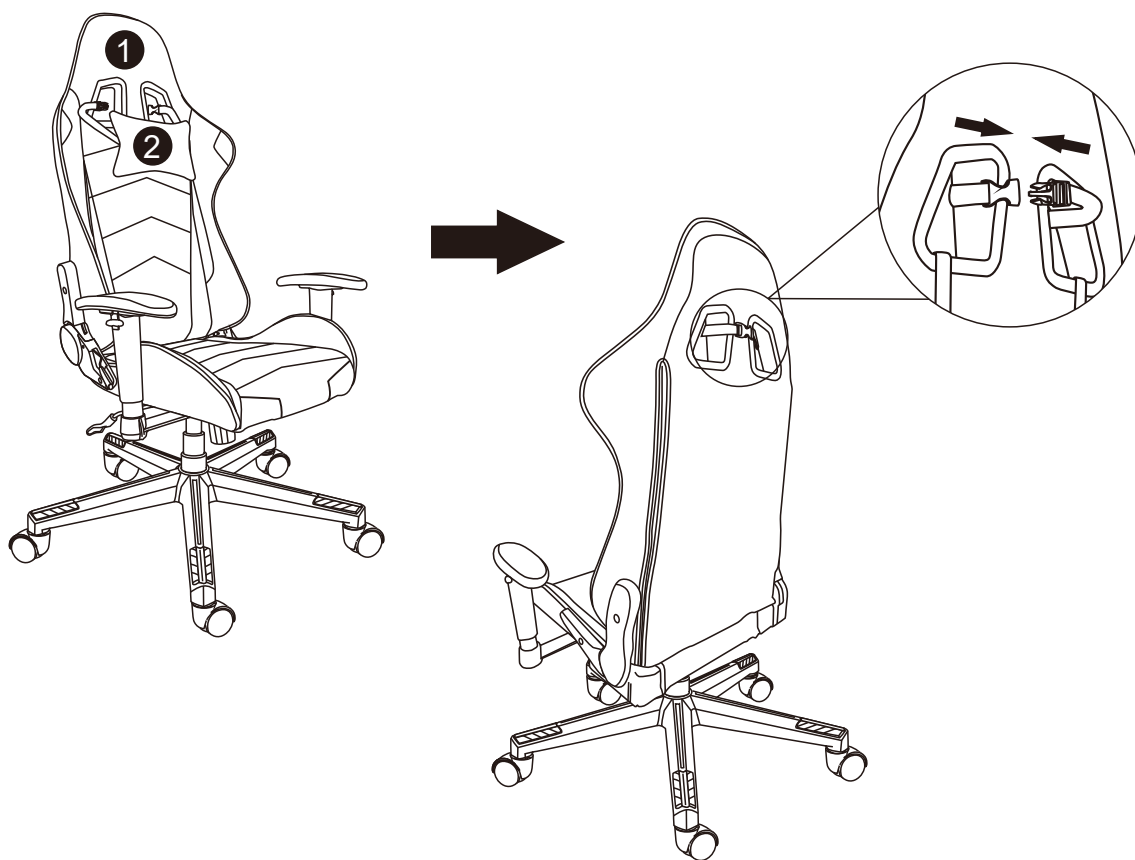


C		M5x8mm	4
D		M5x10mm	2
E			1

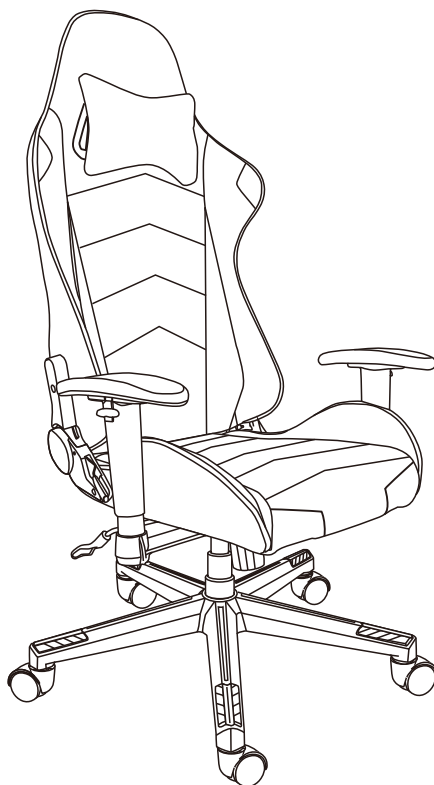
07



08



**09**



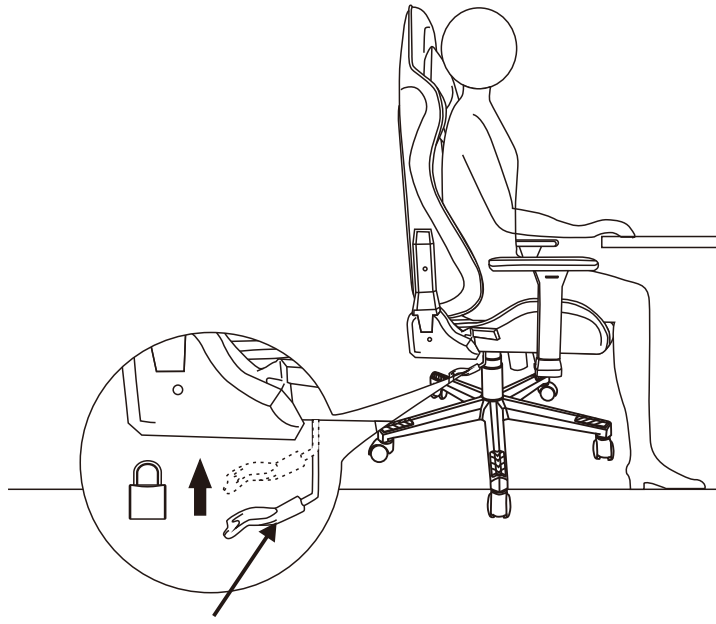
**⚠ WARNING!**

Do NOT place this chair near heat sources, windows or under the sunshine.

Do NOT use the chair if any part is broken, torn or missing and use only spare parts approved by the manufacturer.

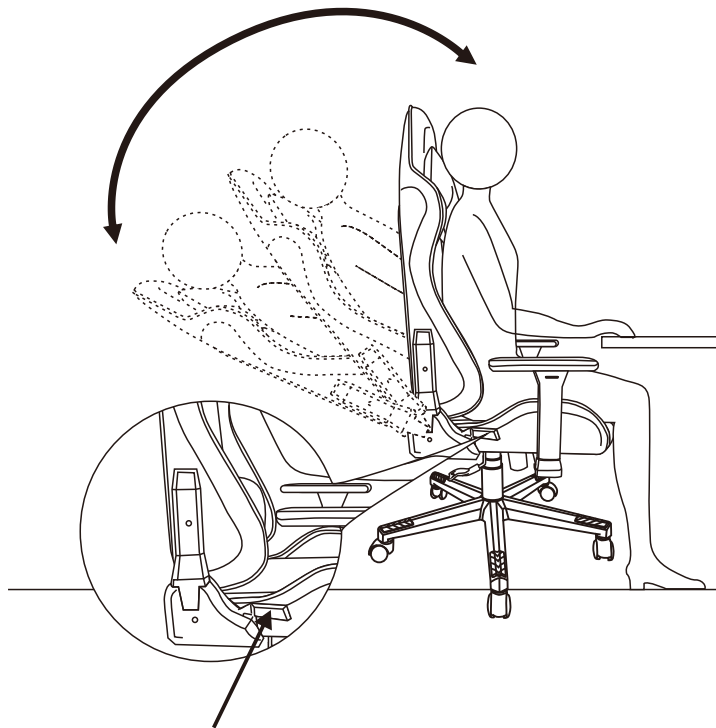


# Functional introduction:



Base control handle

**STEP1:** Push the base control handle inside to lock the base.



Tilt control handle

**STEP2:** Lie down slowly when you pull the control handle to tilt the chair backwards.

## **WARNING!**

*Please do not lie down before you lock the base, there is a risk of falling when the chair is in a fully tilted position.*

*Do not put your weight on the backrest. Weight must be on the seat itself.*

*Do not let anyone press down on the backrest while the seat is in a leaning position.*

Please dispose of all packaging safely.

## General Care & Maintenance

Wipe clean with a slightly damp cloth.  
Avoid the use of all household cleaners and abrasives.

Periodically check all screw & fixings to ensure they are secure.

When moving your product, carefully lift into place. Never drag or push the product across the floor as this will cause damage to the joints. If the product is used on hard flooring, such as wood or laminated floor, you must place some protection under the legs to stop the product from moving. If this is not adhered to, it could result in failure to the product that will invalidate the warranty.

For more information on cleaning and product care visit:  
<https://www.happybeds.co.uk/help-and-advice>

## Notes

In the unlikely event that you have problems putting this product together or have damaged or missing parts, please contact us by visiting:  
<https://www.happybeds.co.uk/customer-service>