

## Assembly Instructions

### Important before assembly:

Read these instructions carefully before assembling or using the product.

Please check the contents of the boxes before attempting to assemble this product. The instructions will have a checklist of parts and fittings.

Assemble the product as close to its intended final location/room as possible.

### Health & Safety:

This product or some parts of this product will be heavy. Please use an assistant when lifting.

Please keep small parts out of reach of children.

Always use on a level, even surface.

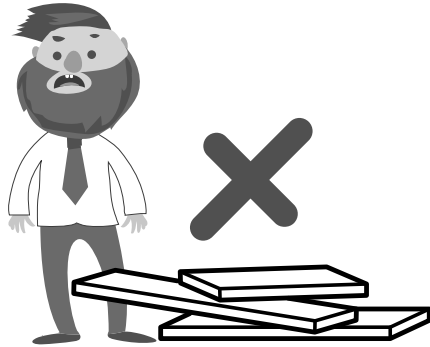
DO NOT jump on the product or any of its parts.

DO NOT use this product if any parts are missing, damaged or worn.

DO NOT use this product unless all fixings are secured.

**Further instructions are on the following pages.**

Please keep these instructions for future reference.



This product or some parts of this product will be heavy. Please use an assistant when lifting.



Never drag or push the pieces across a hard or stone floor as this will cause damage to the joints. Use a carpet or a rug for extra care.



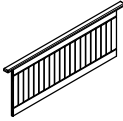

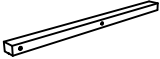
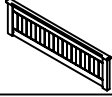



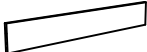



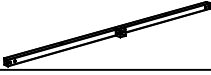

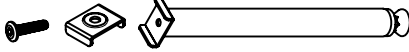

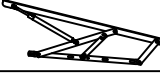

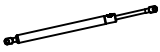
If you have problems assembling or have damaged or missing pieces, please contact our customer services (details at the back of these instructions)










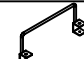











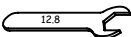
## Important for Ottoman and other gas lift beds

**Please follow these final steps to ensure the best experience with your new bed**

- Please ensure the pistons are fitted to the bed frame.
- Please place the mattress on top of the bed frame.
- Standing at the foot of the frame (looking at the headboard) open the base and the press quite forcefully down on the mattress - please do not attempt to do this without the mattress being in place.
- Please do not pull on the strap handles.
- Please note as the pistons are full of gas - you will need to press heavily to release the compressed gas.
- Once done the pistons should start operating as normal.


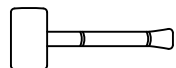
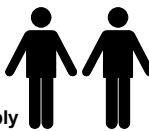


Parts List			
Parts	Description	Qty	Box
1	Headboard Frame 	1	1 / 4
2	Left Wooden Post 	1	2 / 4
3	Right Wooden Post 	1	
4	Footboard 	1	1 / 4
5	Left Side Rail 	1	4 / 4
6	Right Side Rail 	1	
7	Centre Storage Panel 	1	
8	Back Storage Panel 	1	
9	Hydraulic Arm Spacer 	2	3 / 4
10	Side Metal Bar 	2	
11	End Metal Bar (HEADBOARD) 	1	
12	End Metal Bar (FOOTBOARD) 	1	
13	Center Metal Bar 	1	
14	Metal Leg 	2	
15	Slat 	28	
16	Left Hydraulic Base Support c/w Pump Stopper 	1	
17	Right Hydraulic Base Support 	1	
18	Hydraulic Base Pump 	2	

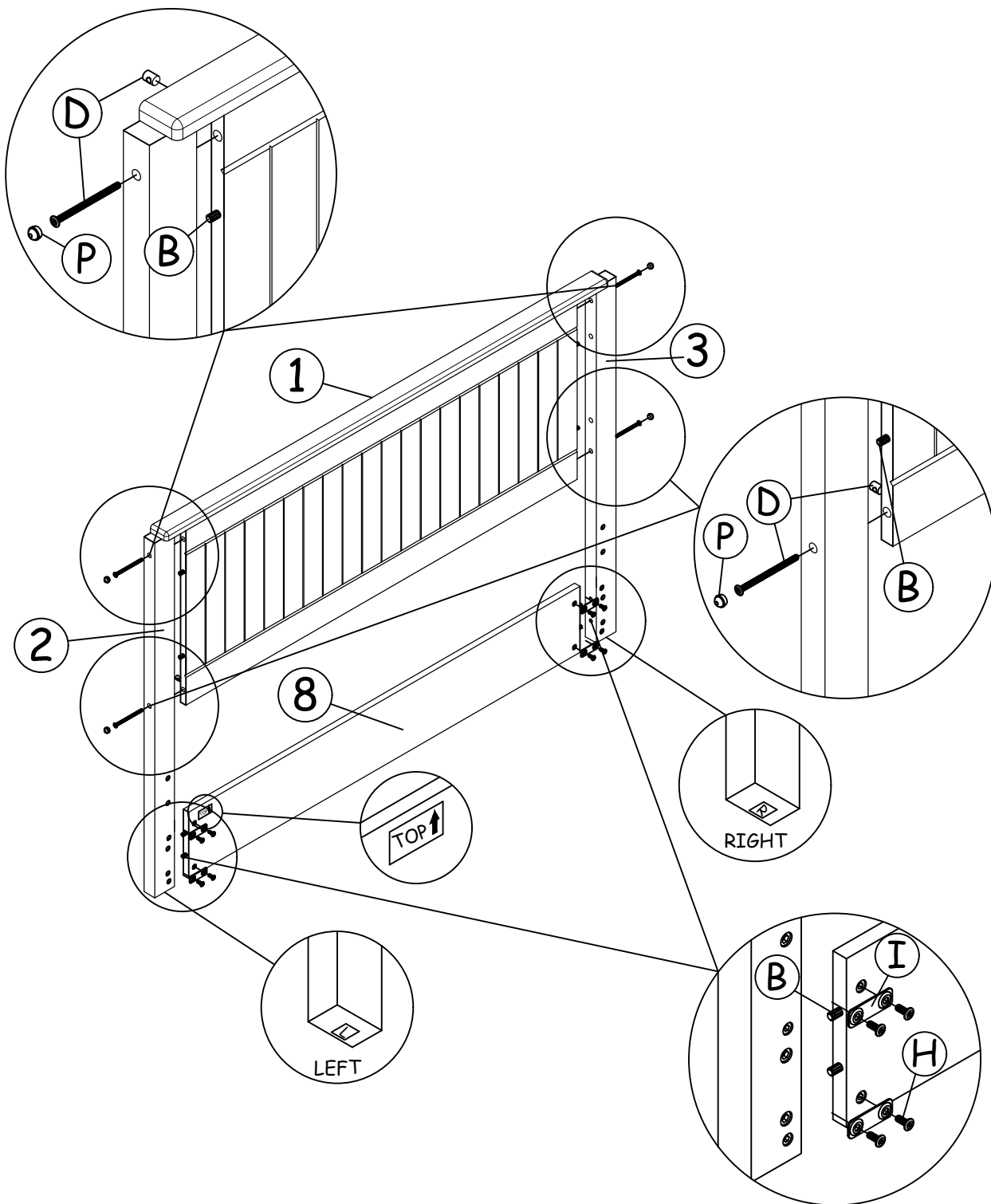
Hardware List (Found in box 3 and 4)				
Parts	Description	Qty	Box	
A	Mini Fix 	4	3 / 4	
B	8 x 30 mm Wooden Dowel 	12		
C	Metal Corner Block 	2		
D	M6 x 90 mm RBW + Barrel Nut 	4		
E	M8 x 25 mm JCBB Bolt RBW 	16		
F	M8 x 15 mm JCBB Bolt RBW 	8		
G	M8 x 35 mm JCBB Bolt (BLACK) 	10		
H	M6 x 15 mm JCBC Bolt RBW 	8		
I	Bracket 20mm x 58mm 	4		
J	Base Handle (HEADBOARD) 	1		
K	Base Handle (FOOTBOARD) 	1		
L	M6 x 40 mm JCBC Bolt BLK 	14		
M	M8 x 45 mm JCBB Bolt RBW with Nut Bracket, Spring & Flat Washer 	6		4 / 4
N	Single Slat Cap 	28		
O	Double Slat Cap 	14		
P	Wooden Button 	4	3 / 4	
Q	M4 Allen Key 	1		
R	M5 Allen Key 	1		
S	Flat Washer BLK 	8		
T	Nut Bracket 	4		
U	Self adhesive 4mm X 35mm 	2		
V	M12.8 Spanner 	1		

We very strongly advice that you do not use Power Tools, such as drill or electric screwdrivers during assembly as this may cause irreparable damage and will invalidate you warranty.

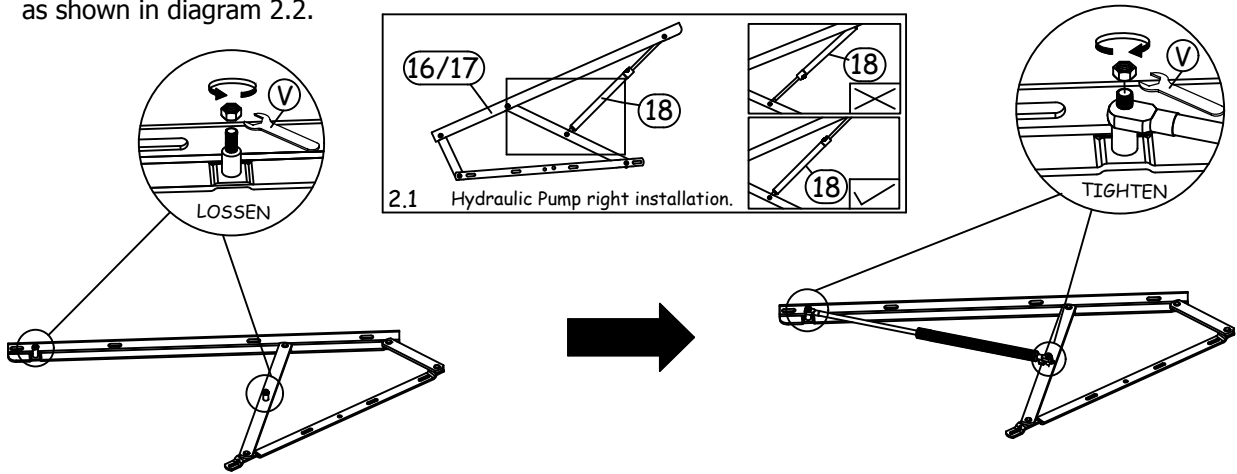
\*\* You will also need a screwdriver and small mallet ( not provided ).

	Rubber or Wood Hammer 	
NOT PROVIDED	NOT PROVIDED	

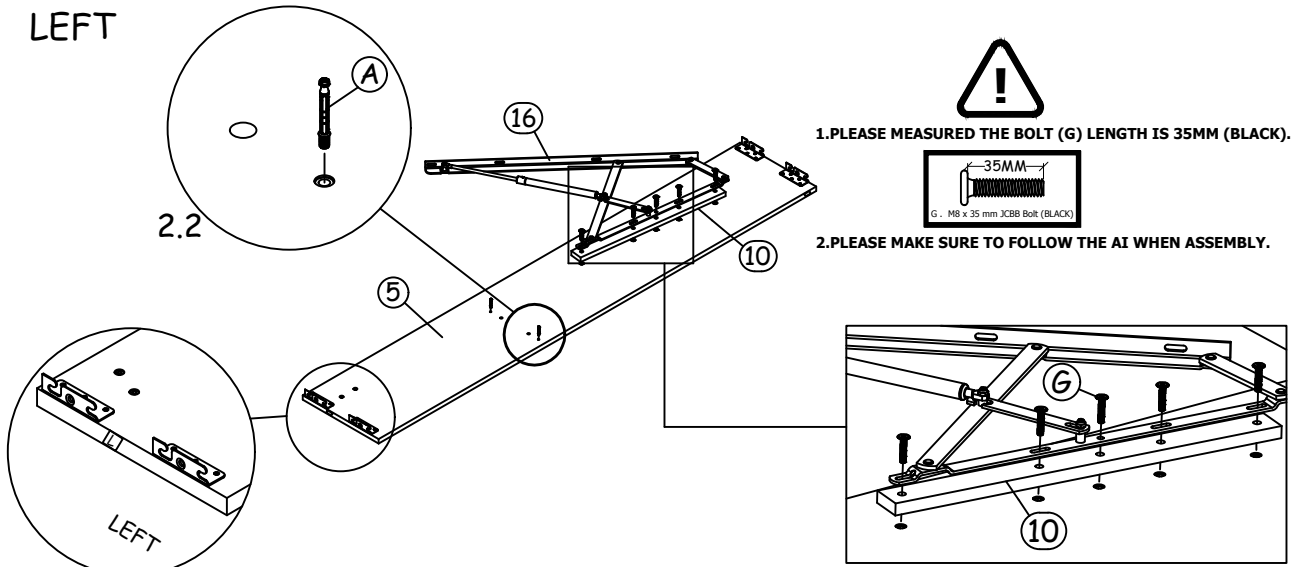
**Step 1:** Attach the headboard frame (1) and back storage panel (8) to the left wooden post (2) and right wooden post (3). Secure the headboard frame using hardware parts **B**, **D** and **P**, then secure the back storage panel with hardware parts **B**, **H** and **I**.  
DO NOT use any power tools as this may damage the frame and will invalidate any claim.



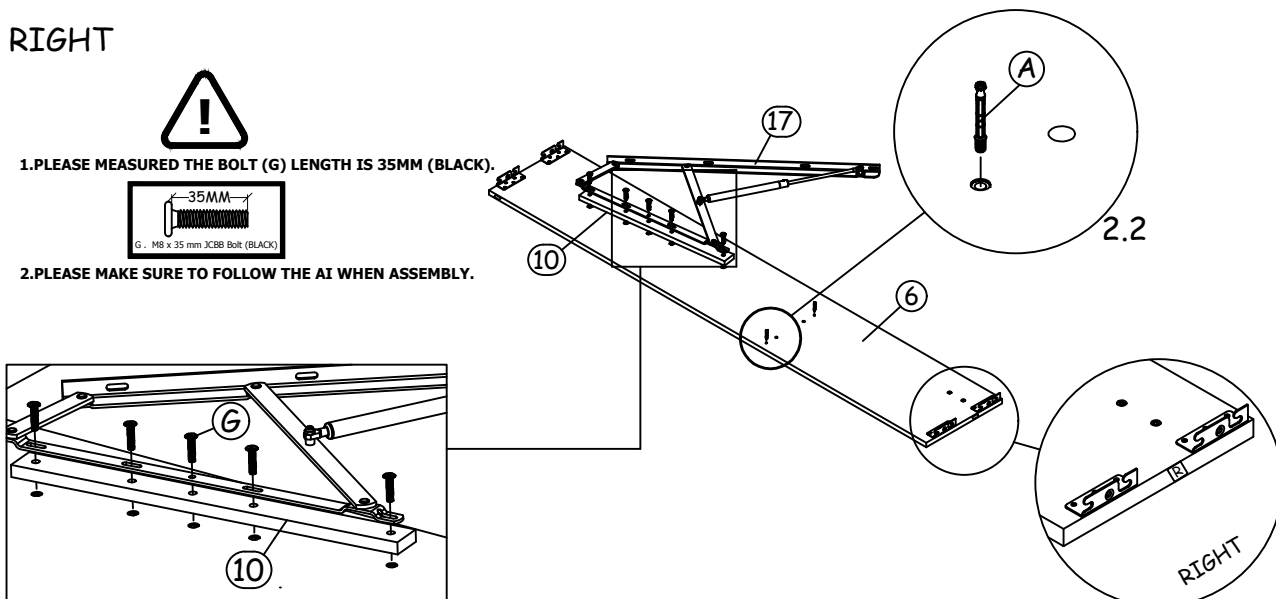
**Step 2:** Firstly, Loosen the **Hex Nut** from the Left & Right Hydraulic Base Support ,then fix the hydraulic pump to each hydraulic base using the same **Hex Nut & V**. (shown in diagram 2.1. )  
 Next, fix the left & right hydraulic spacer together with hydraulic rails supporter to the both side rails using bolts **G** and than screw the minifix part **A** to the both side rails as shown in diagram 2.2.



**LEFT**

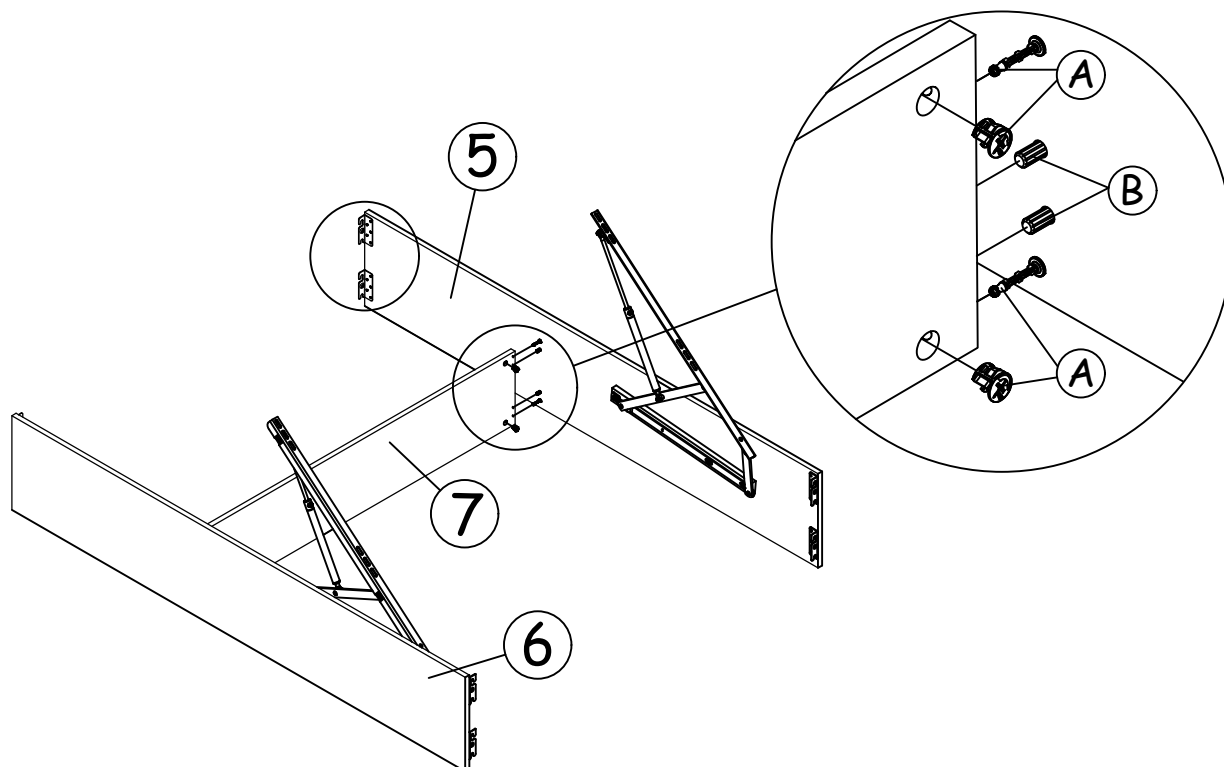


**RIGHT**



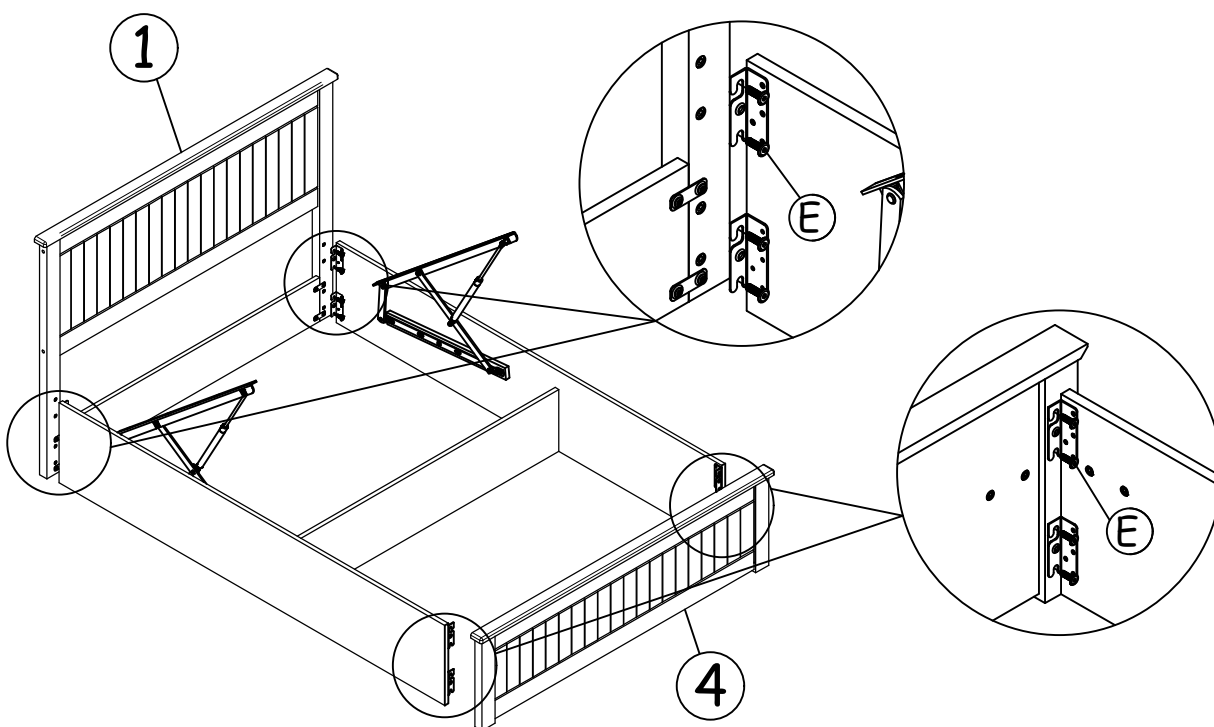
**Step 3:** Join together the left side rail (5) and right side rail (6) with the centre storage panels (7) by using hardware parts **A** and **B**.

DO NOT use any power tools as this may damage the frame and will invalidate any claim.



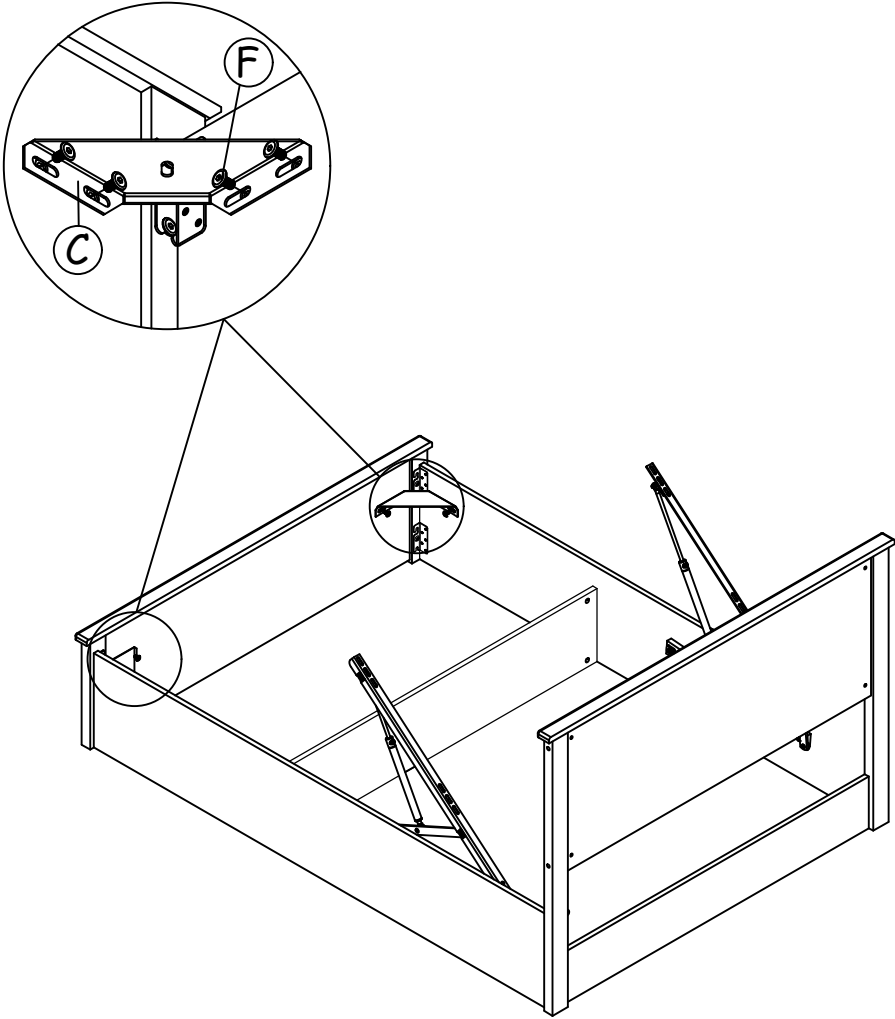
**Step 4:** Attach the headboard frame (1) and footboard (4) using hardware part **E**.

DO NOT use any power tools as this may damage the frame and will invalidate any claim.

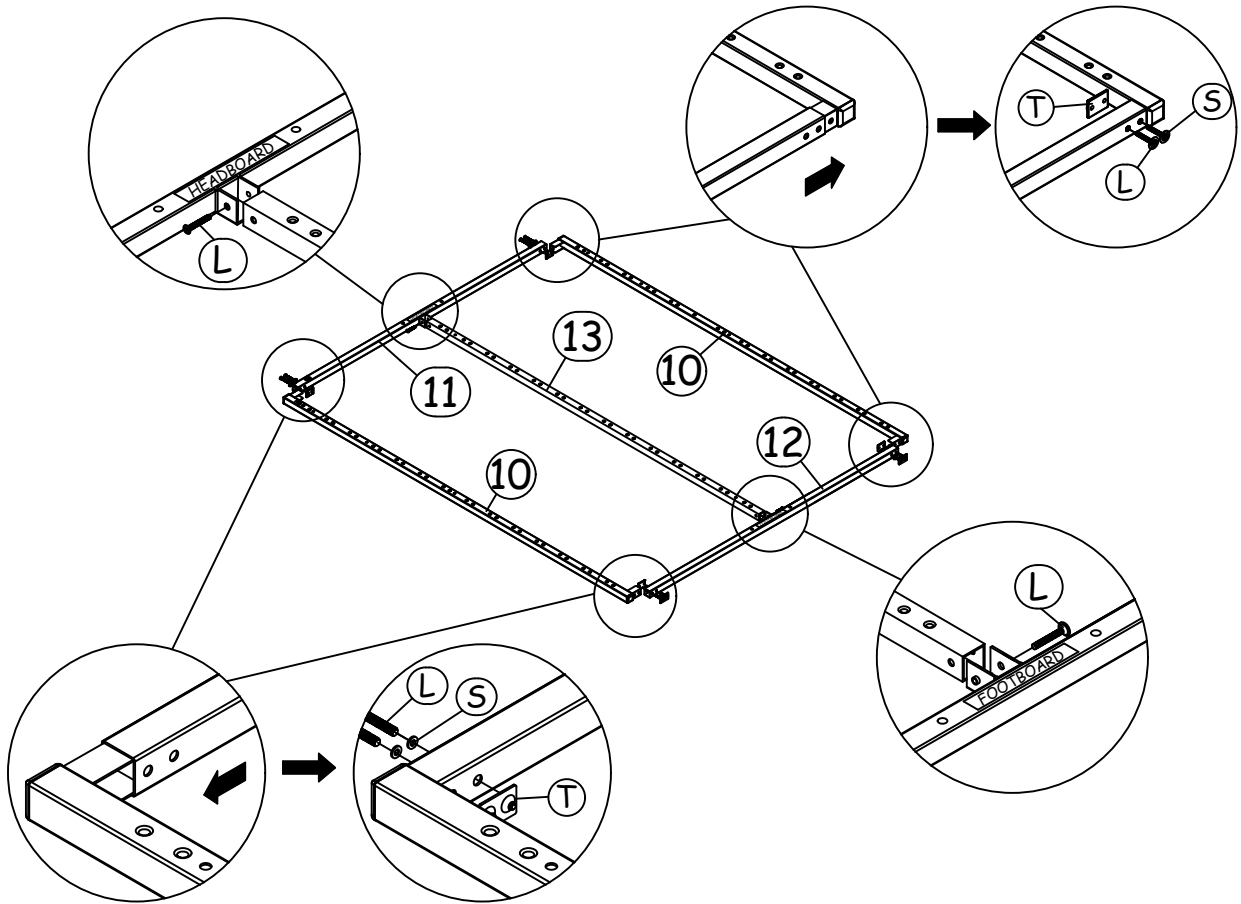




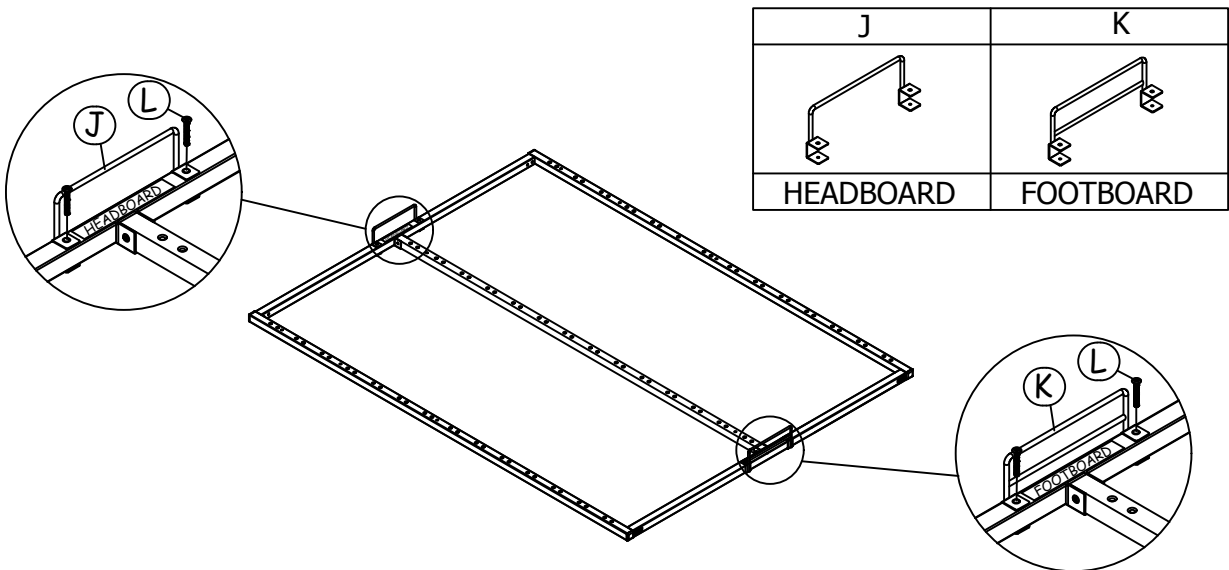
**Step 5:** Fix metal corner block **C** to the edge of footboard and side rails with bolt **F** as shown. DO NOT use any power tools as this may damage the frame and will invalidate any claim.



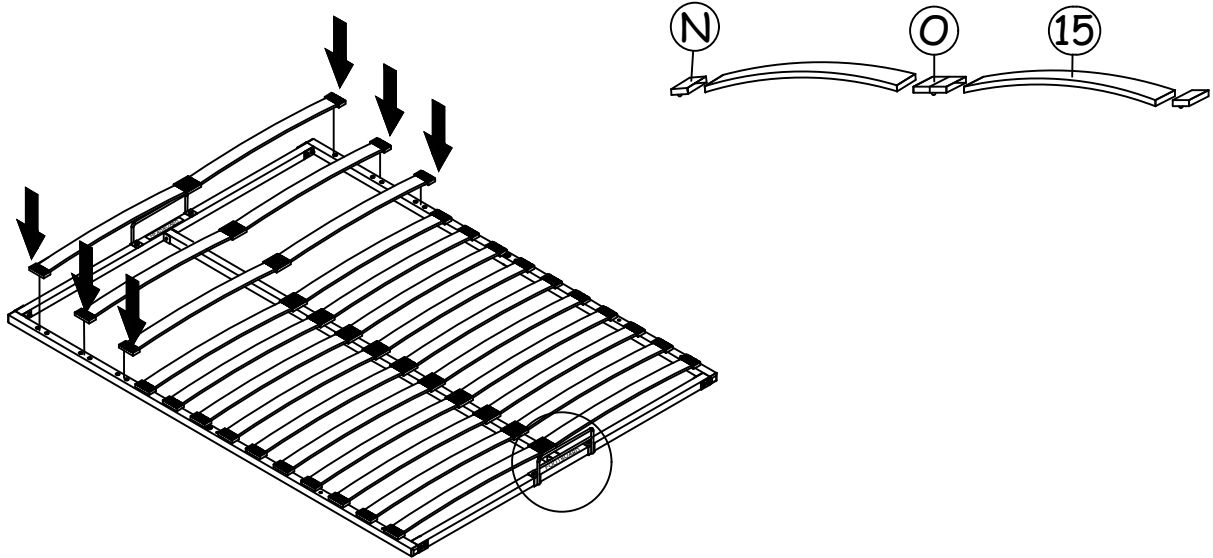
**Step 6:** Join together all the bed base parts (10),(11),(12) and (13) by using hardware parts L,S,T.  
**Important note: Please assemble follow arrow direction.**  
 DO NOT use any power tools as this may damage the frame and will invalidate any claim.



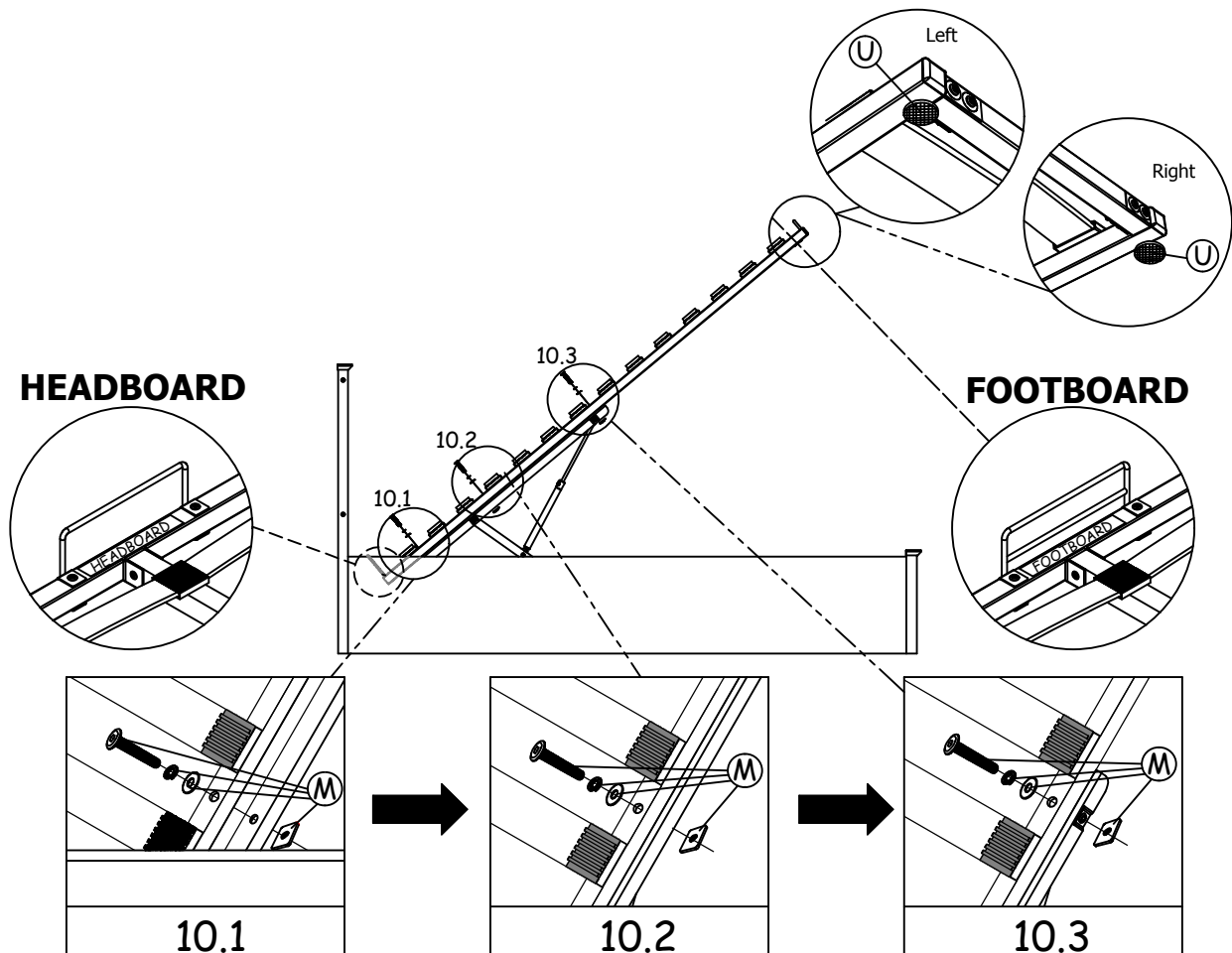
**Step 7:** Attach hardware parts J and K using hardware part L.  
**Important note: Please assemble follow arrow direction.**  
 DO NOT use any power tools as this may damage the frame and will invalidate any claim.



**Step 8:** Insert the slats (15) to hardware parts **N** and **O** then press into the base making sure they are secure.  
 DO NOT use any power tools as this may damage the frame and will invalidate any claim.

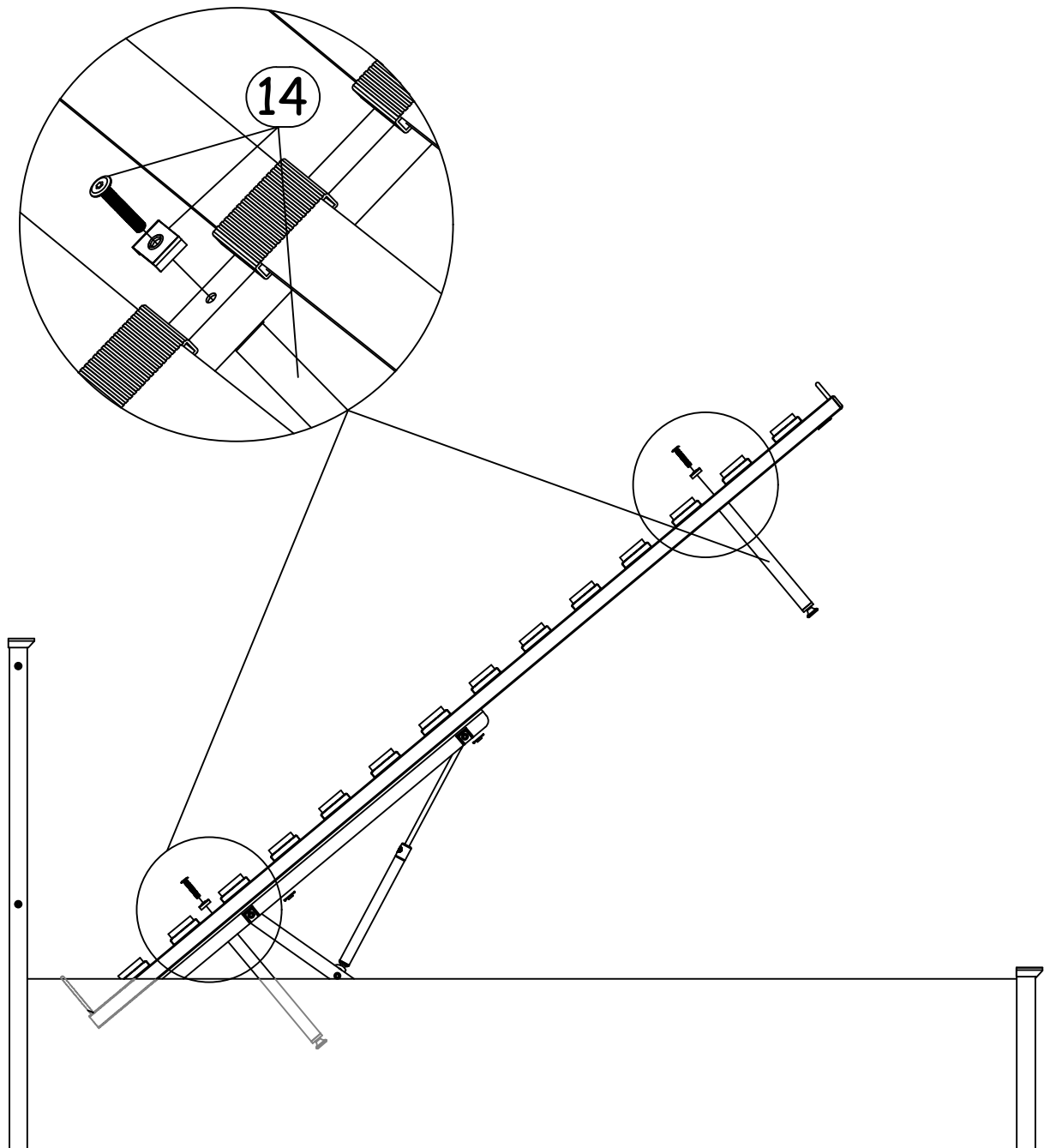


**Step 9:** Assemble the bed base on the right & left hydraulic frame and fix bolts **M** starting from ' 10.1 ' to ' 10.3 ' as shown and stick it the self adhesive **U** as shown.  
 Important note : **Do not tighten the bolts yet!**, and this assemble must be done by two persons.

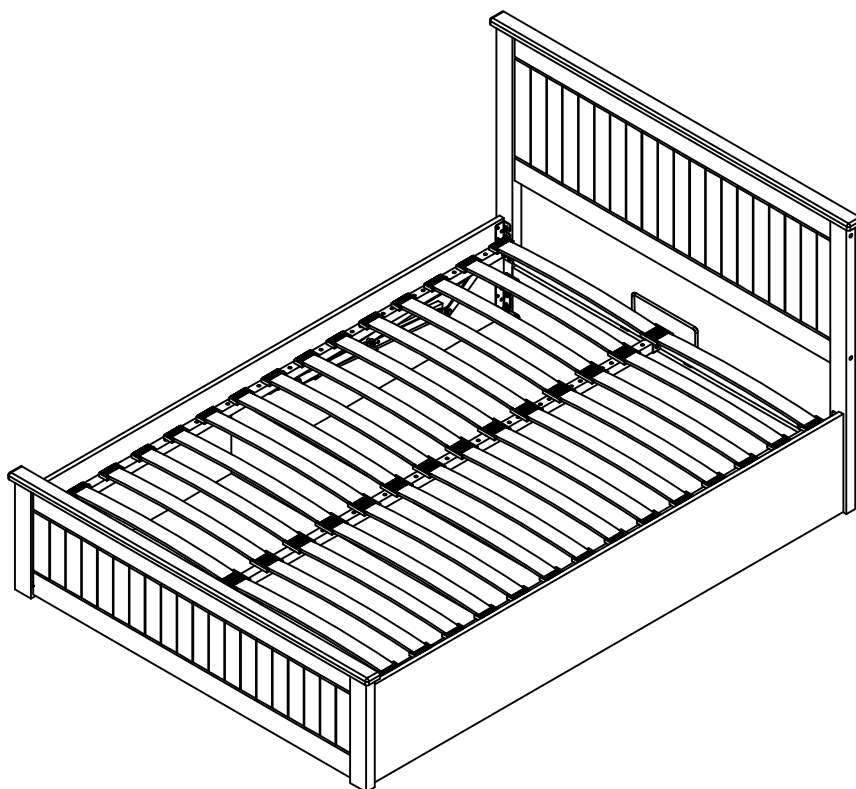
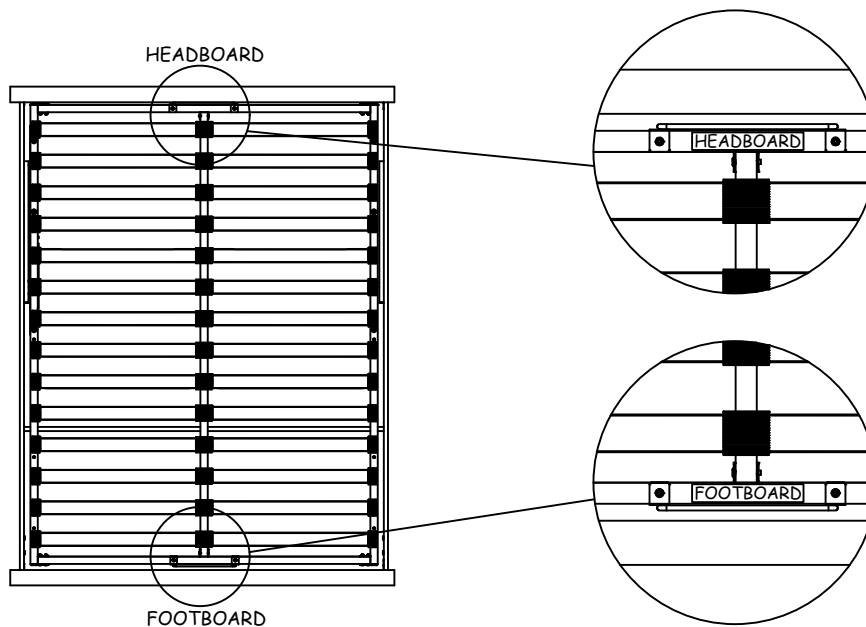


**Step 10:** Assemble the support leg (14) to the bed base as shown.

Important note : **Do not tighten the bolts yet!, and this assemble must be done by two persons.**



**Step 10:** Tighten all bolts and screws now. Top view of assembly bed.  
DO NOT use any power tools as this may damage the frame and will invalidate any claim.

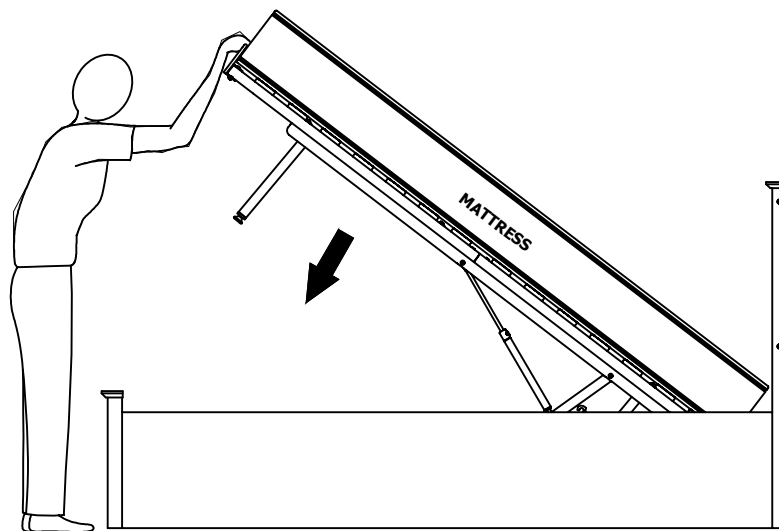


## IMPORTANT NOTE

WHEN THE BED IS BUILT AND THE MATTRESS FRAME IS AT 45 DEGREE ANGLE PLEASE PLACE THE MATTRESS ON THE BED.

PLEASE NOTE THAT THE WEIGHT OF THE MATTRESS IS REQUIRED TO HELP CLOSE THE BED.

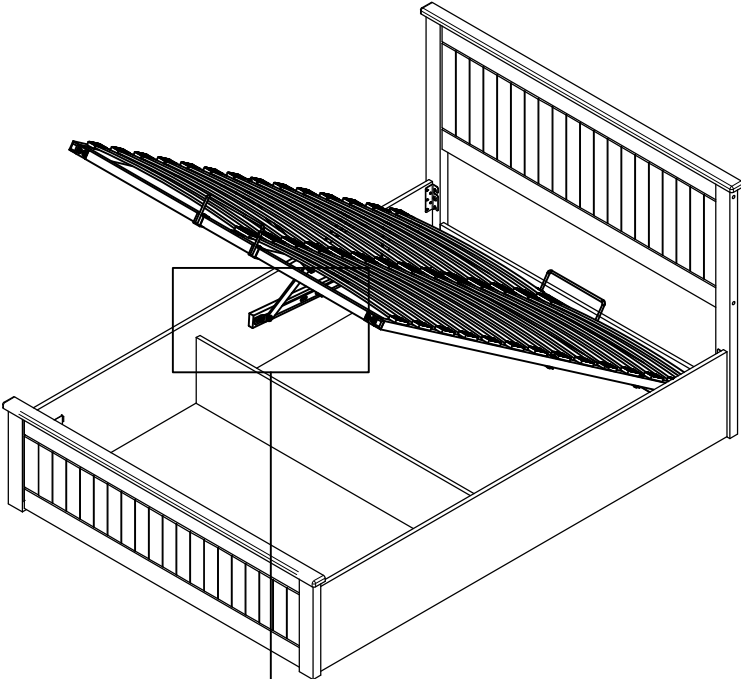
TO LOWER THE SLEEPING PLATFORM STAND AT THE FOOT END OF THE BED AND PUSH SHARPLY DOWNWARDS USING BOTH HANDS.



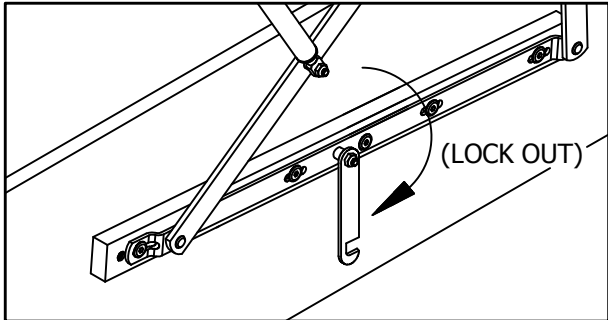
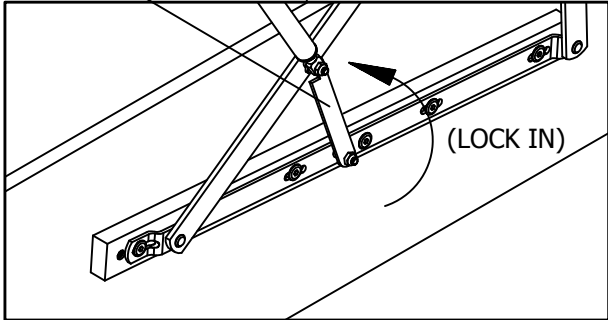
**WARNING:** Take care when assembling the base. Assemble the ottoman as closed to its final position. The Ottoman has a powerful, mechanism and after assembly should only be opened when the mattress is in place.

# CAUTION :

PLEASE USE HYDRAULIC PUMP STOPPER FOR SAFETY PURPOSE.



HYDRAULIC PUMP STOPPER



Please dispose of all packaging safely.

## General Care & Maintenance

Wipe clean with a slightly damp cloth.  
Avoid the use of all household cleaners and abrasives.

Periodically check all screw & fixings to ensure they are secure.

When moving your product, carefully lift into place. Never drag or push the product across the floor as this will cause damage to the joints. If the product is used on hard flooring, such as wood or laminated floor, you must place some protection under the legs to stop the product from moving. If this is not adhered to, it could result in failure to the product that will invalidate the warranty.

For more information on cleaning and product care visit:  
<https://www.happybeds.co.uk/help-and-advice>

## Notes

In the unlikely event that you have problems putting this product together or have damaged or missing parts, please contact us by visiting:  
<https://www.happybeds.co.uk/customer-service>