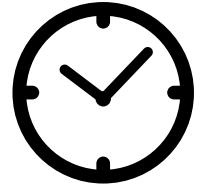


Happy beds™

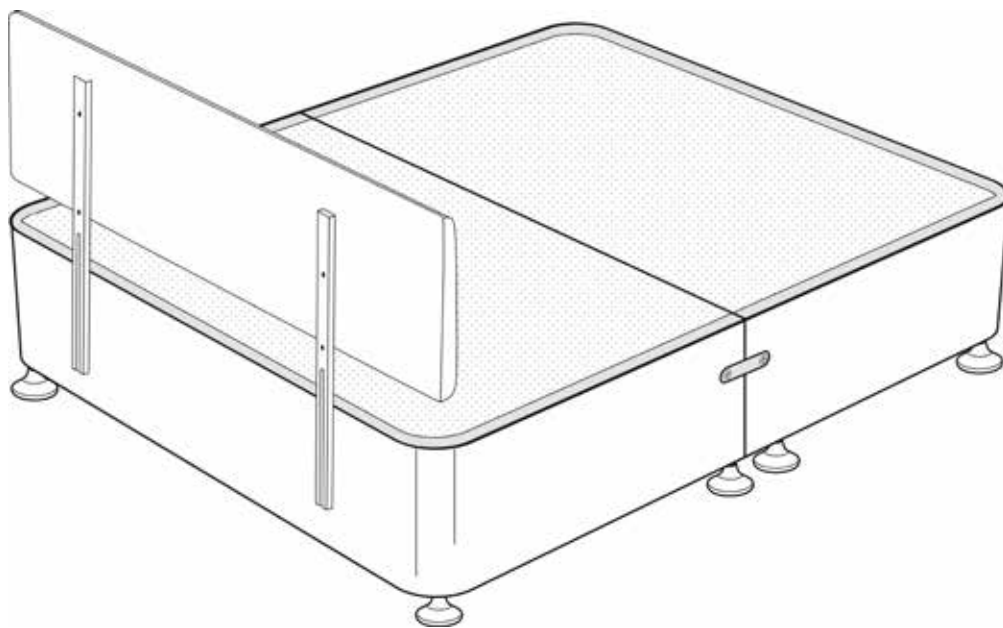


5 mins
Assembly

Assembly Instructions

Divan Beds

(Inc. Build Your Own Bed)



Important before assembly:

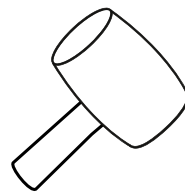
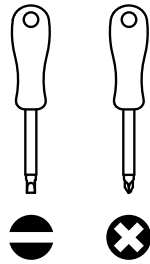
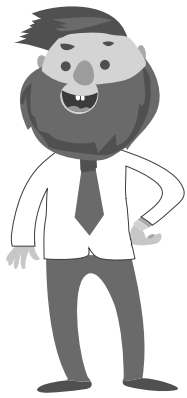
Read these instructions carefully before assembling or using the product.

- Please check the contents of the boxes before attempting to assemble this product. The instructions will have a checklist of parts and fittings.
- It would be sensible to lay a rug or a carpet on the floor where you intend to assemble the product, to avoid scratches and damaging the product or the floor.
- Assemble the product as close to its intended final location/room as possible.
- Do NOT use any power tools as this may damage the frame.

Health & Safety:

- This product or some parts of this product will be heavy. Please use an assistant when lifting.
- DO NOT jump on the product or any of its parts.
- DO NOT use this product if any parts are missing, damaged or worn.
- DO NOT use this product unless all fixings are secured.
- Please keep small parts out of reach of children.
- Always use on a level, even surface.

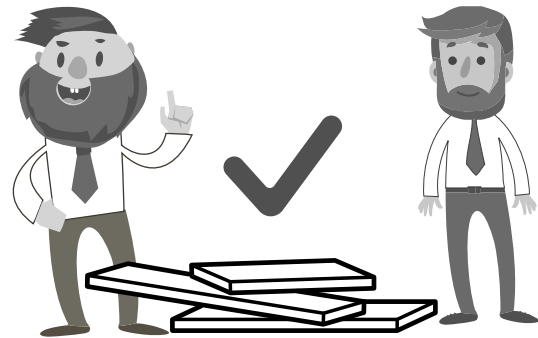
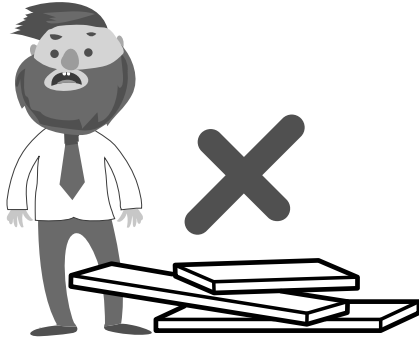
Please keep these instructions for future reference.



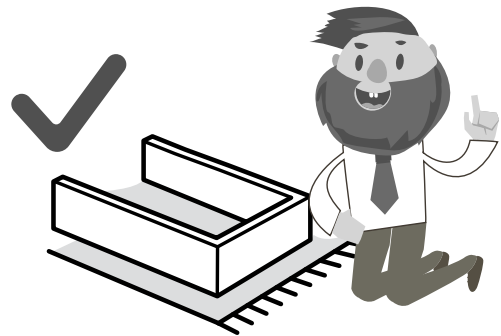
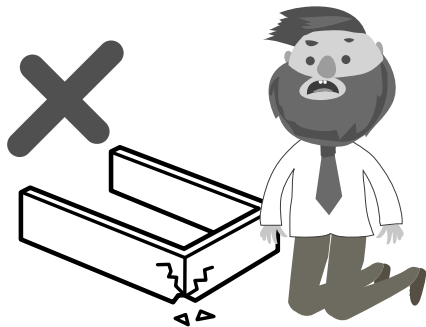
(Not metal)

These tools are not necessary, but may help to assemble certain parts of the product.

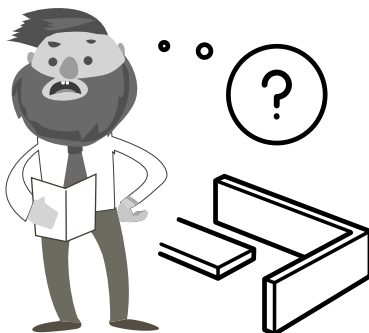
Do NOT use any power tools as this may damage the frame.



This product or some parts of this product will be heavy. Please use an assistant when lifting.



Never drag or push the pieces across a hard or stone floor as this will cause damage to the joints. Use a carpet or a rug for extra care.



If you have problems assembling or have damaged or missing pieces, please contact us by visiting:

<https://www.happybeds.co.uk/customer-service>

Contents

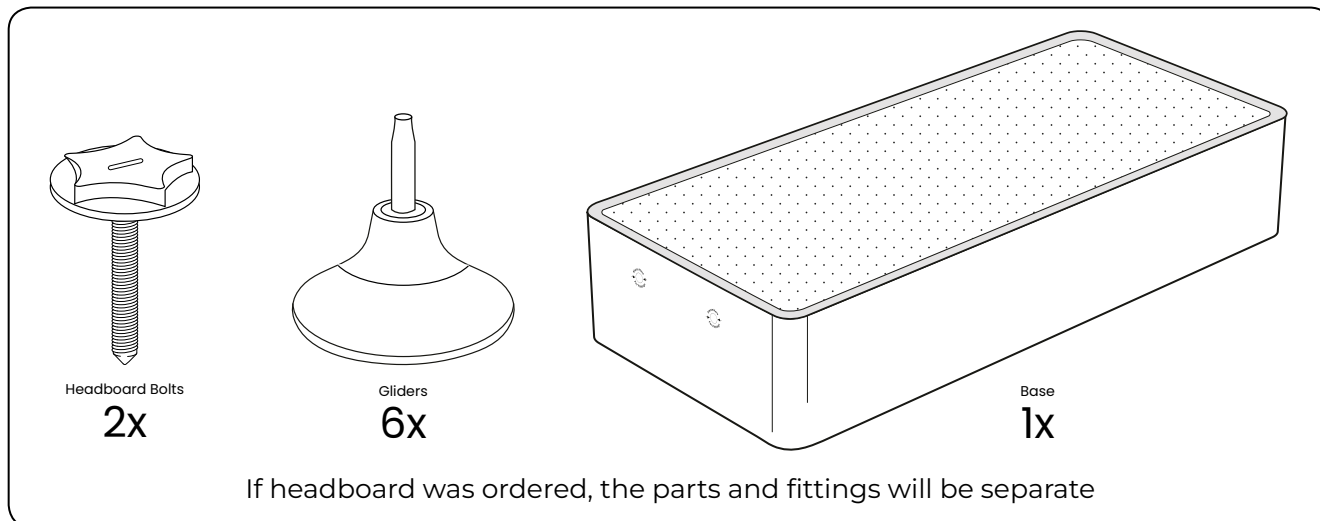
Assembly Instructions:

For Single Bases (2ft6, 3ft)	4
For Double Bases (4ft, 4ft6)	7
For King & Superking Bases (5ft, 6ft)	11

For Single Bases (2ft6, 3ft)

(Skip to Page 7 for Double or Page 11 for King/Superking)

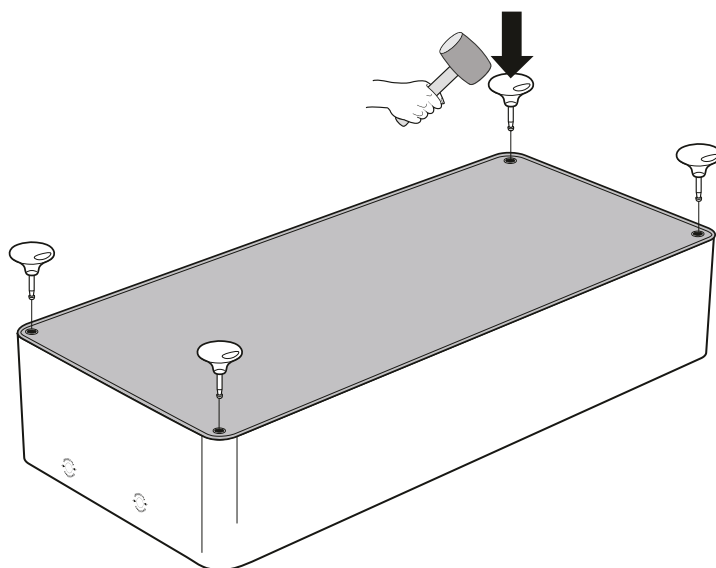
Parts & Fittings Check List



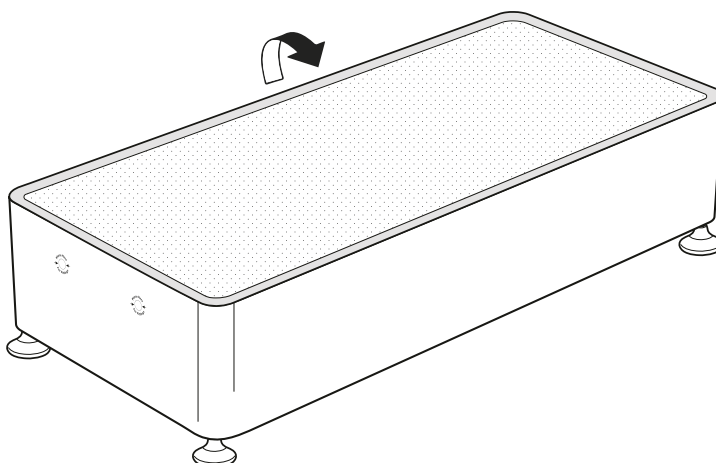
Instructions

1. Remove the outer packaging and cardboard corner protectors.
2. Flip the divan base on its top so that the underside is accessible.
3. Locate the pre-drilled holes at each corner of the base.
4. Securely insert the four gliders into the bottom of the base.

(Please Note: This may require the use of a blunt tool, such as a rubber mallet)



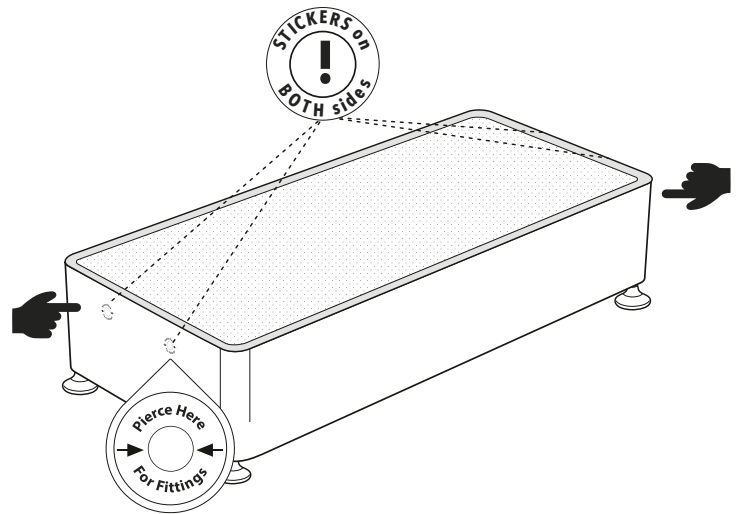
5. Carefully flip the base so that it is now resting atop the gliders, firmly pressing down on each of the corners of the base to ensure that it is stable.



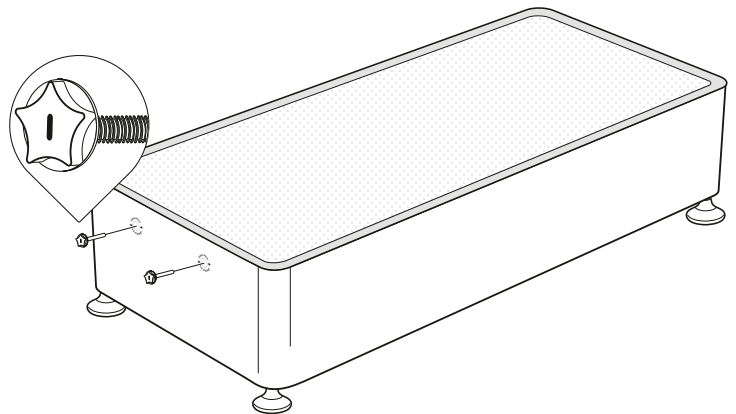
If you have a headboard to attach (or have an existing one)...

6. Locate the headboard stickers on either end of the base.
7. Decide which end the headboard will attach to and pierce the centre of the stickers.

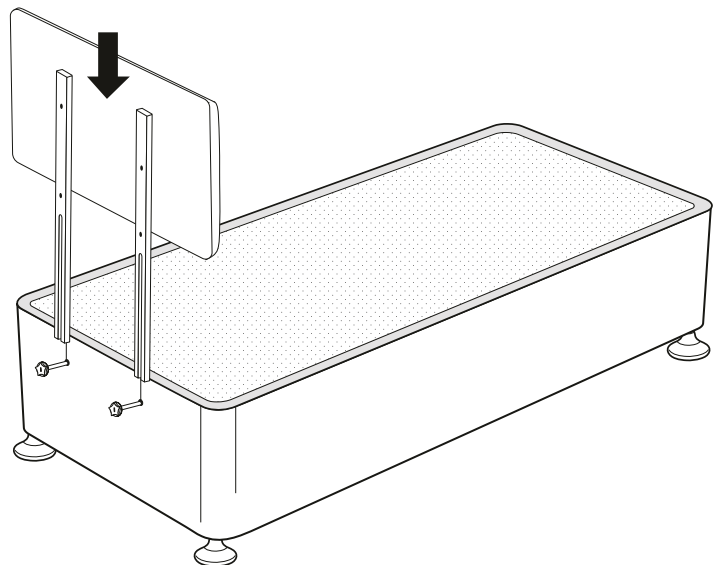
(Please Note: This action is irreversible, so please be sure of which end the headboard will attach. **DO NOT PIERCE BOTH SIDES!**)



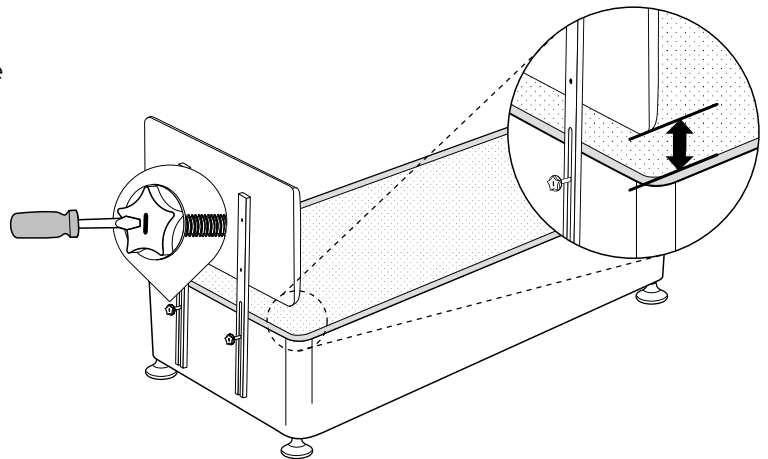
8. Press both headboard screws into the pierced holes until meeting resistance. Proceed to screw the headboard screws clockwise, leaving enough space for the headboard struts to fit into place.



(for the headboard struts fixing, please follow the instructions that came separately with the headboard)



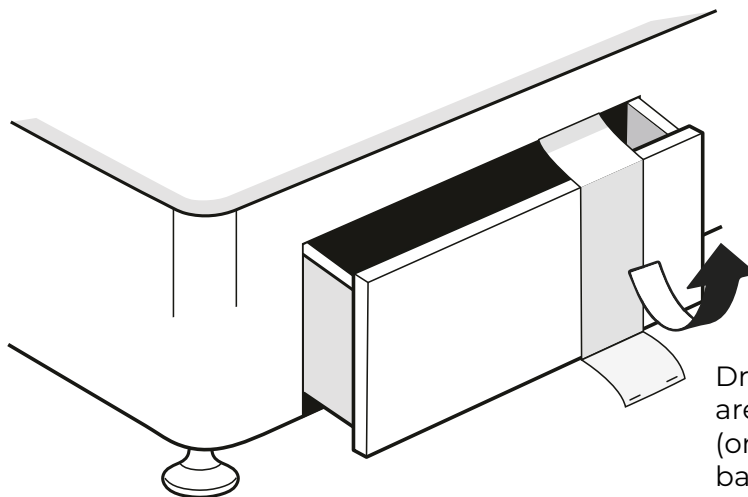
9. Drop the headboard struts down over the headboard screws. Once the headboard is at the desired height tighten the headboard screws until the headboard is locked in place.
10. Be sure to adjust the height of the headboard to allow for the depth of the mattress.



(For Divan Beds with drawers)

11. The drawers are already installed within the Divan Bed base. Strips of fabric keep the drawers in place during transit and will need to be removed to allow access to the drawers. Remove these strips of fabric via pulling, tugging or cutting them off.

(Please Note: The strips of fabric are secured via staples, so please take care when removing them)

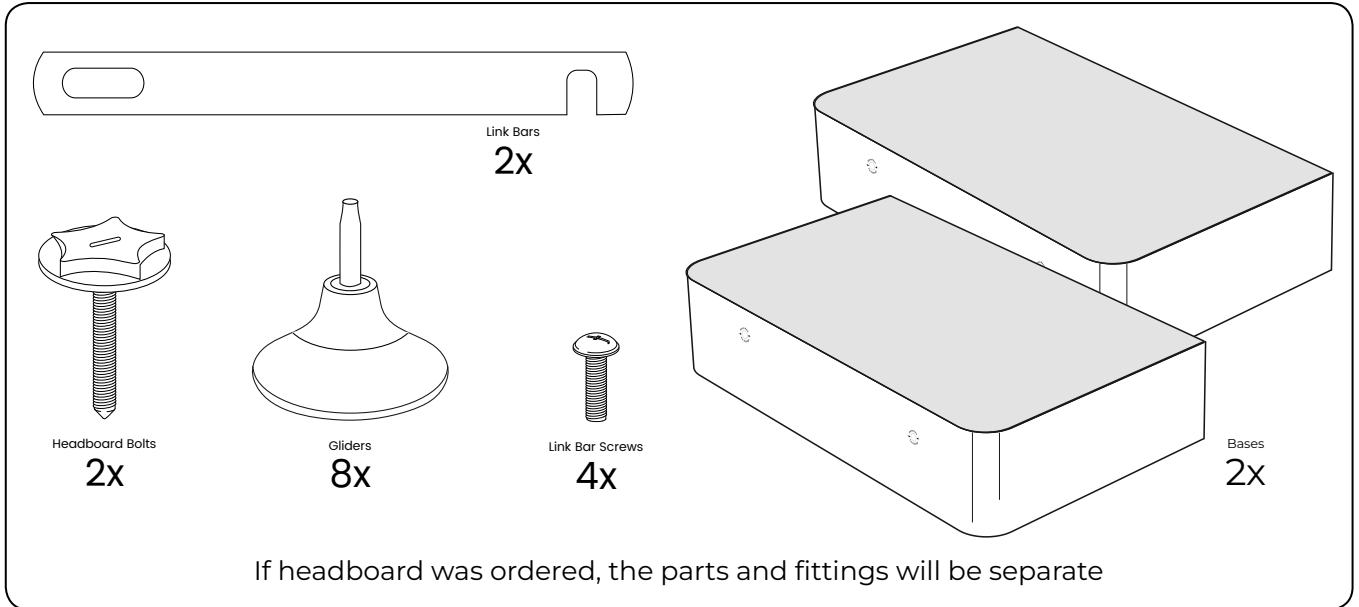


Drawer retaining straps are on each drawer (only applies to divan bases with drawers)

For Double Bases (4ft, 4ft6)

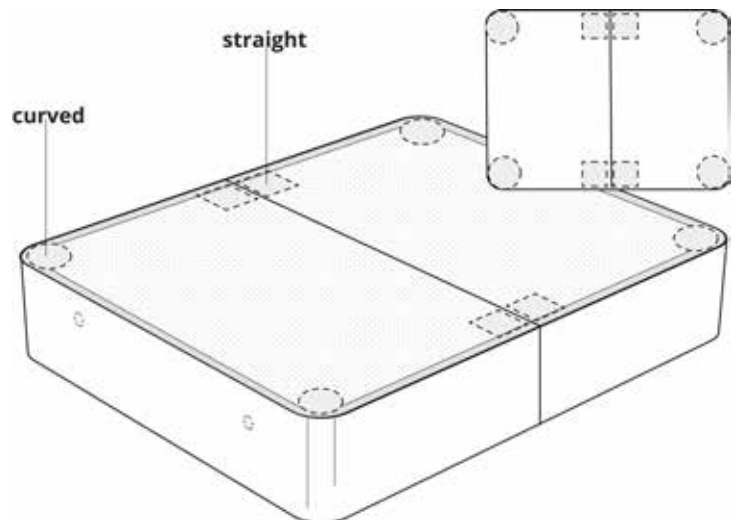
(Go to Page 4 for Single or Page 11 for King/Superking)

Parts & Fittings Check List

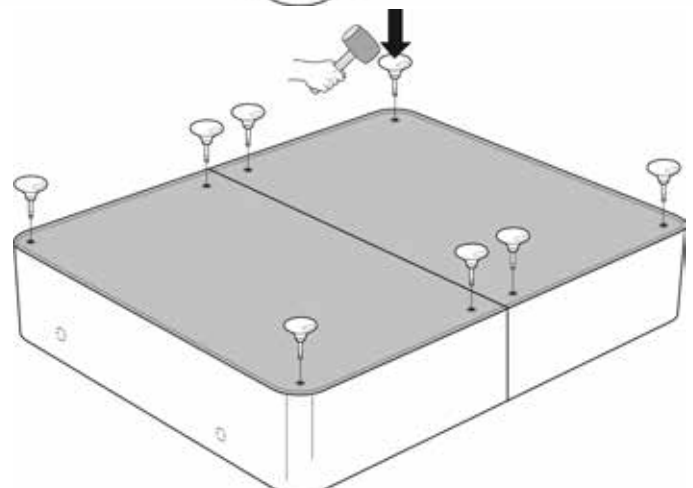


Instructions

1. Remove the outer packaging and cardboard corner protectors.
2. Locate which corners are straight and which are curved. Straight corners indicate where both of the bases will connect.

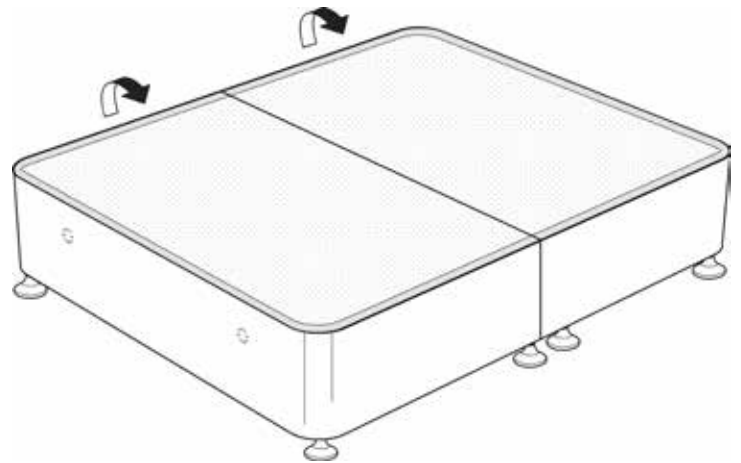


3. Flip both of the divan bases on their tops so that the undersides are accessible.
4. Locate the four pre-drilled holes at each corner of the bases.
5. Securely insert the eight (8) gliders into the bottom of the bases, each base requires four (4).



(Please Note: This may require the use of a blunt tool, such as a rubber mallet)

- Carefully flip the bases so that they are now resting atop the gliders, firmly pressing down on each corner of the bases to ensure that they are stable.

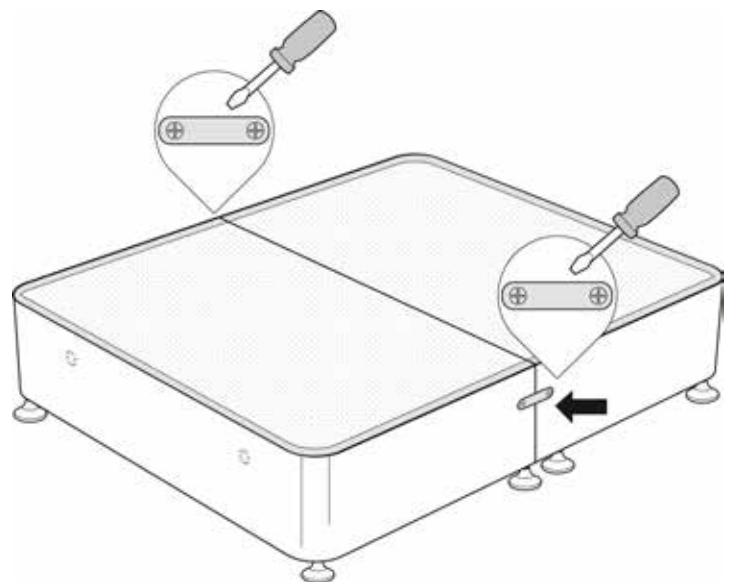


- Locate the link bar holes where the two straight sides of the bases meet. They should be located near the top of the bases.

- (You may need to feel with your finger, as the holes will be hidden under the fabric, and may not be marked).

- Place the link bar along these holes and screw in the nuts. It is advised that the right hand side of the link bar (the side with a smaller hole) is screwed in first so that the larger hole on the left can be adjusted if required.

- Complete screwing the nuts into both sides of the bases.

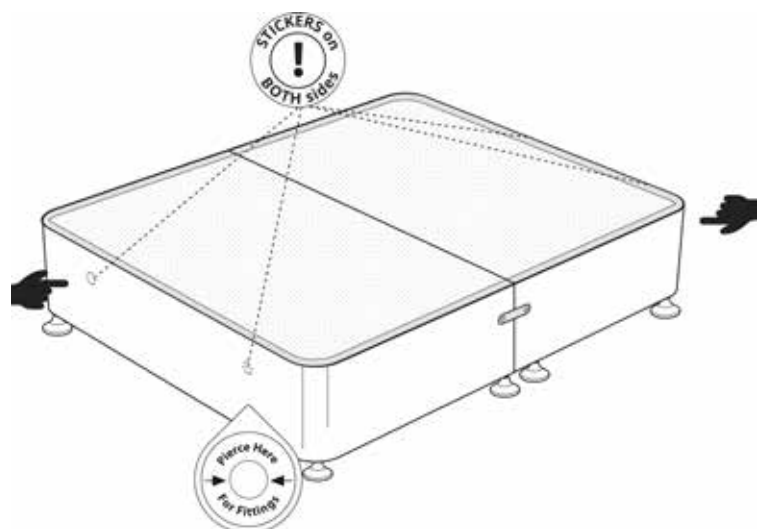


If you have a headboard to attach (or have an existing one)...

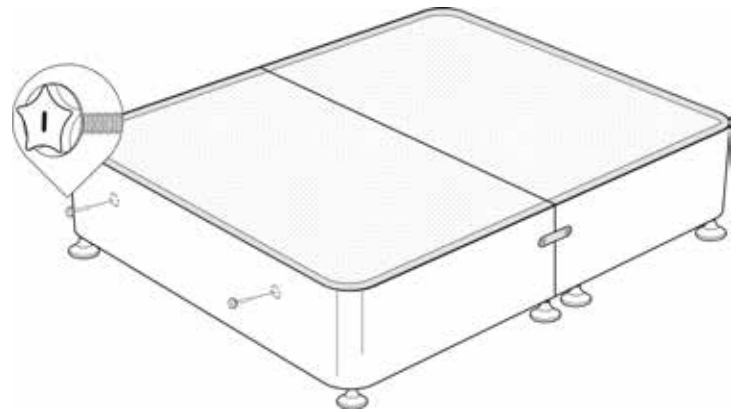
- Locate the headboard stickers on either end of the bases.

- Decide which end the headboard will attach to and pierce the centre of the stickers.

(Please Note: This action is irreversible, so please be sure of which end the headboard will attach. **DO NOT PIERCE BOTH SIDES!**)

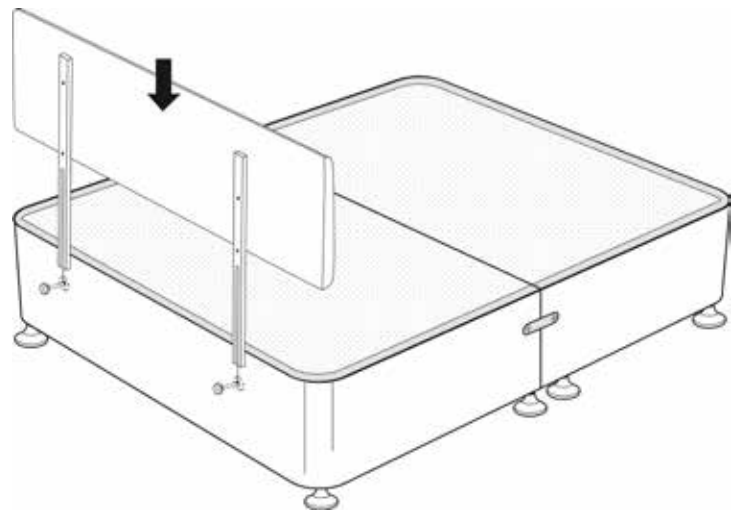


- Press both headboard screws into the pierced holes until meeting resistance. Proceed to screw the headboard screws clockwise, leaving enough space for the headboard struts to fit into place.

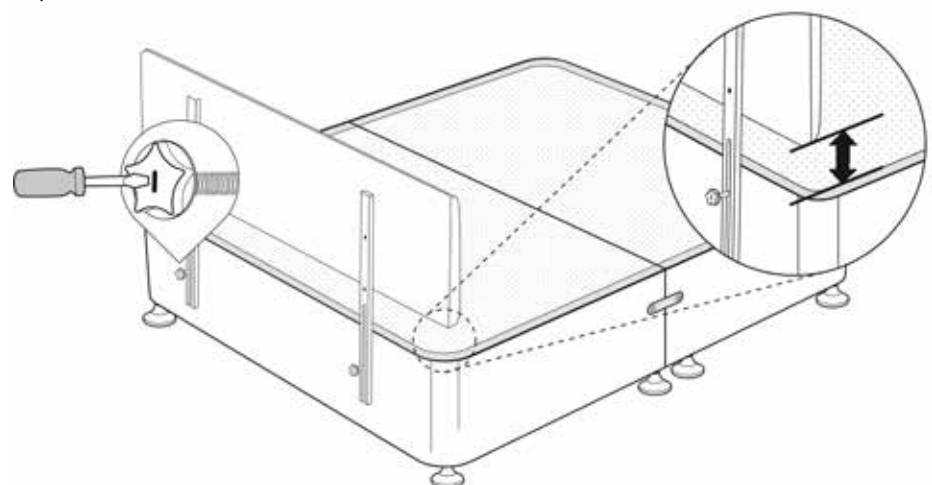


(for the headboard struts fixing, please follow the instructions that came separately with the headboard)

- Drop the headboard struts down over the headboard screws. Once the headboard is at the desired height tighten the headboard screws until the headboard is locked in place.



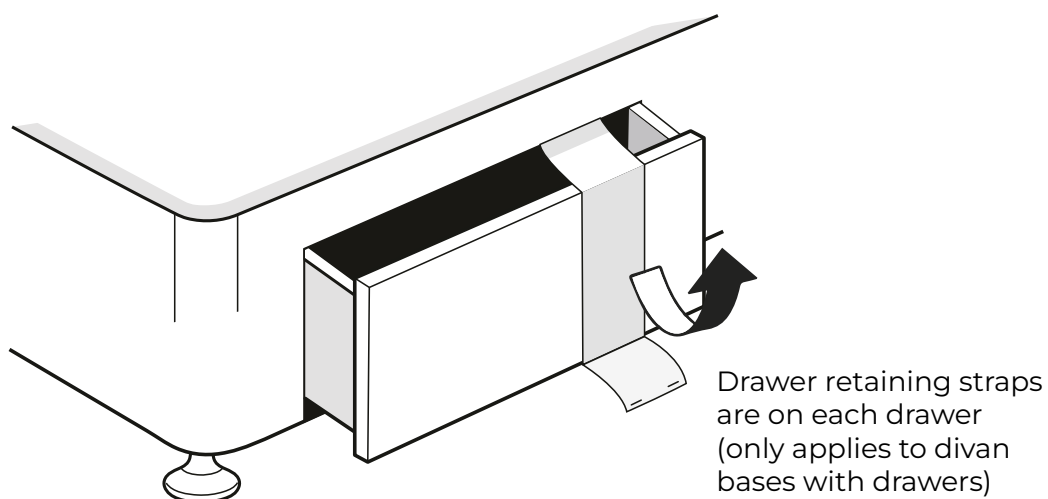
- Be sure to adjust the height of the headboard to allow for the depth of the mattress.



(For Divan Beds with drawers)

16. The drawers are already installed within the Divan Bed base. Strips of fabric keep the drawers in place during transit and will need to be removed to allow access to the drawers. Remove these strips of fabric via pulling, tugging or cutting them off.

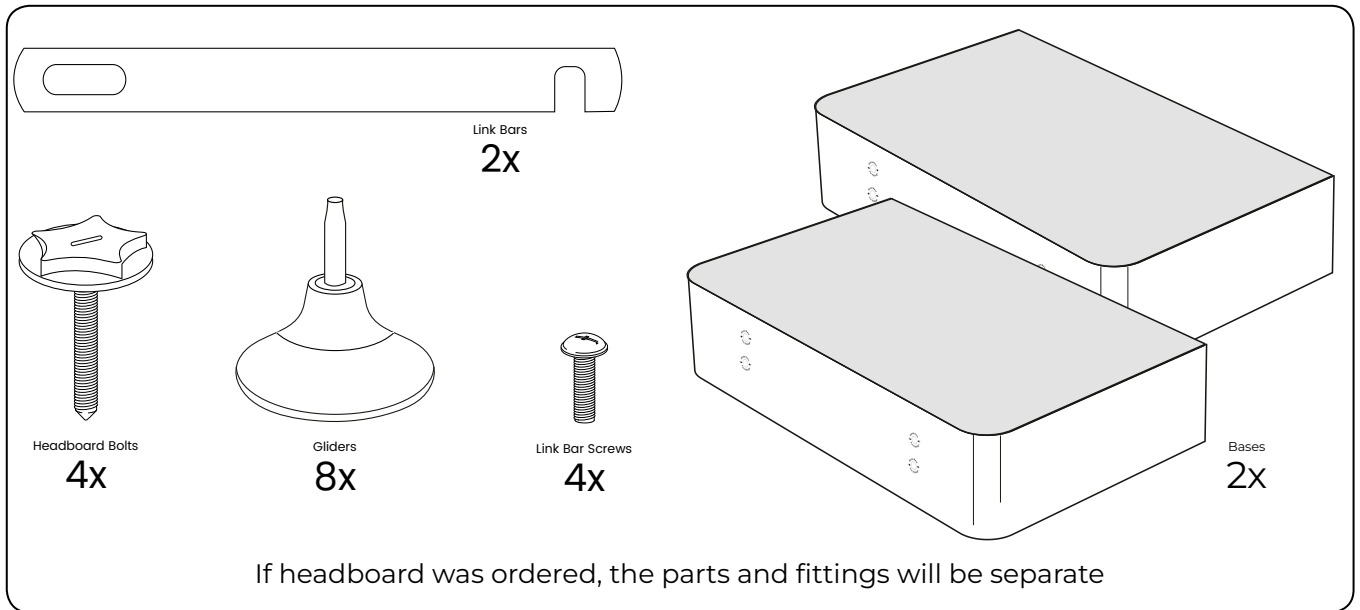
(Please Note: The strips of fabric are secured via staples, so please take care when removing them)



For King & Superking Bases (5ft, 6ft) Happy beds™

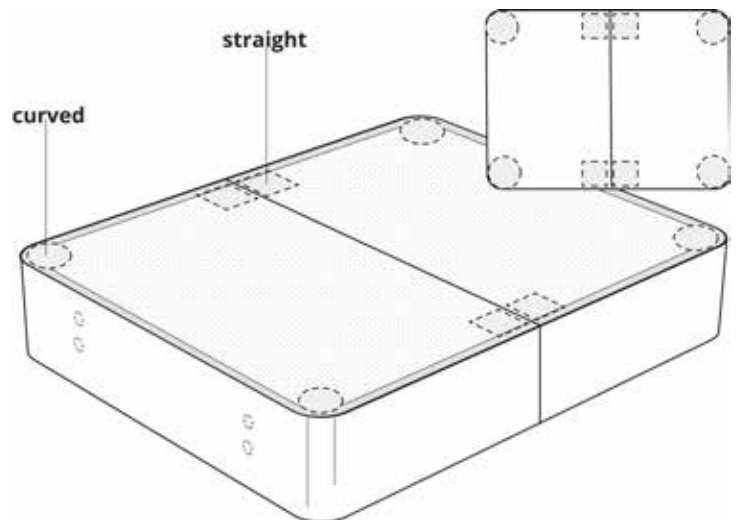
(Go to **Page 4** for Single or **Page 7** for Double)

Parts & Fittings Check List



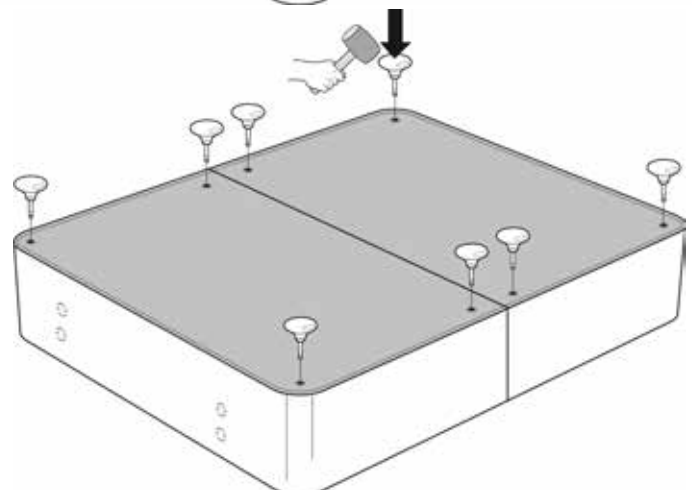
Instructions

1. Remove the outer packaging and cardboard corner protectors.
2. Locate which corners are straight and which are curved. Straight corners indicate where both of the bases will connect.

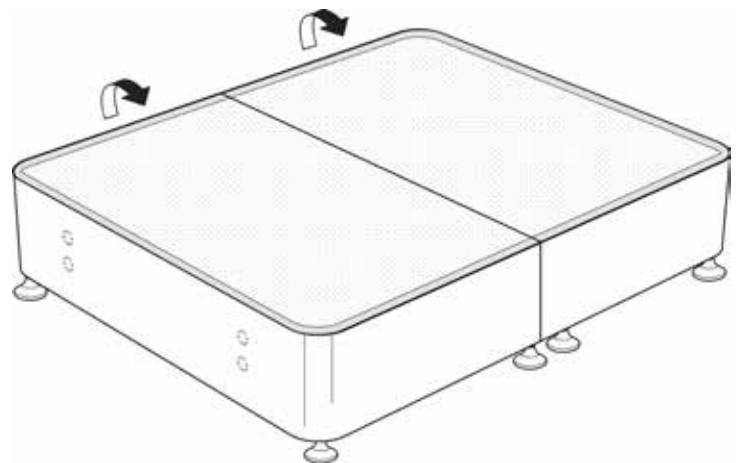


3. Flip both of the divan bases on their tops so that the undersides are accessible.
4. Locate the four pre-drilled holes at each corner of the bases.
5. Securely insert the eight (8) gliders into the bottom of the bases, each base requires four (4).

(Please Note: This may require the use of a blunt tool, such as a rubber mallet)



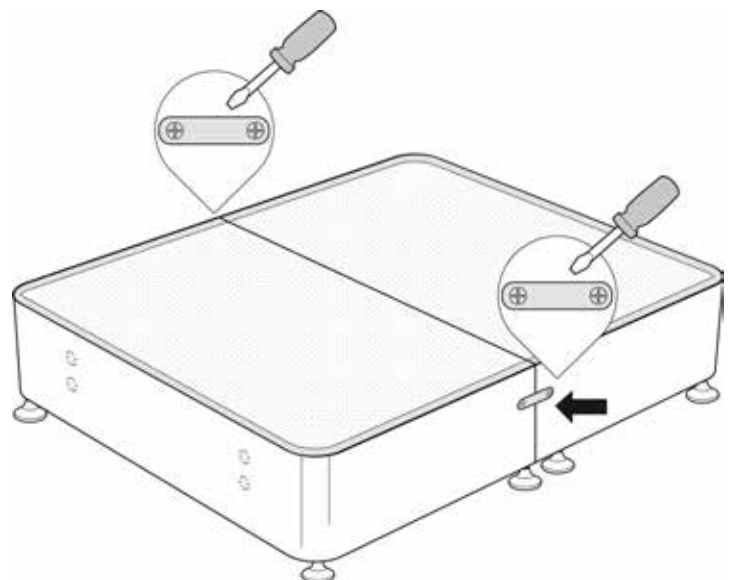
- Carefully flip the bases so that they are now resting atop the gliders, firmly pressing down on each corner of the bases to ensure that they are stable.



- Locate the link bar holes where the two straight sides of the bases meet. They should be located near the top of the bases.

(You may need to feel with your finger, as the holes will be hidden under the fabric, and may not be marked).

- Place the link bar along these holes and screw in the nuts. It is advised that the right hand side of the link bar (the side with a smaller hole) is screwed in first so that the larger hole on the left can be adjusted if required.



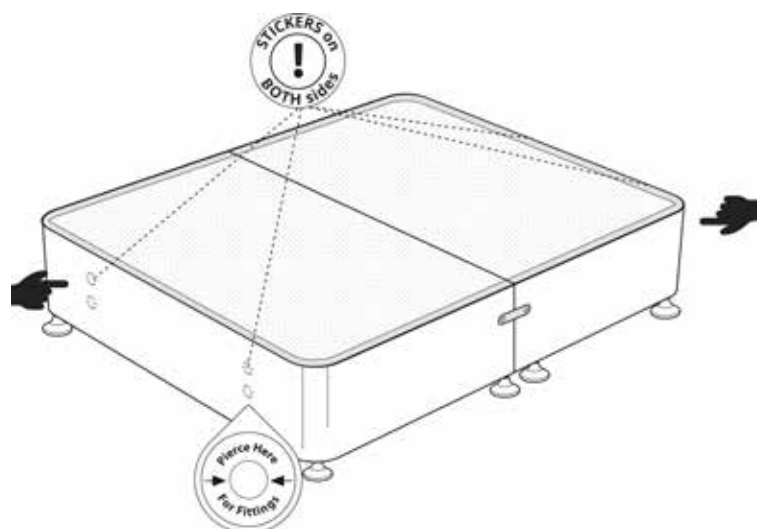
- Complete screwing the nuts into both sides of the bases.

If you have a headboard to attach (or have an existing one)...

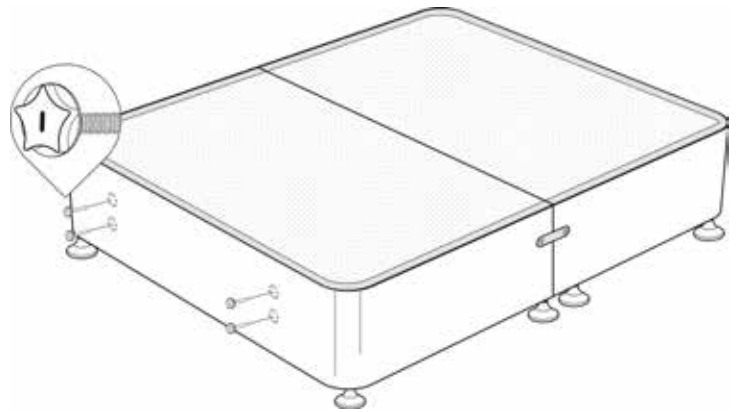
- Locate the headboard stickers on either end of the bases.

- Decide which end the headboard will attach to and pierce the centre of the stickers.

(Please Note: This action is irreversible, so please be sure of which end the headboard will attach. **DO NOT PIERCE BOTH SIDES!**)

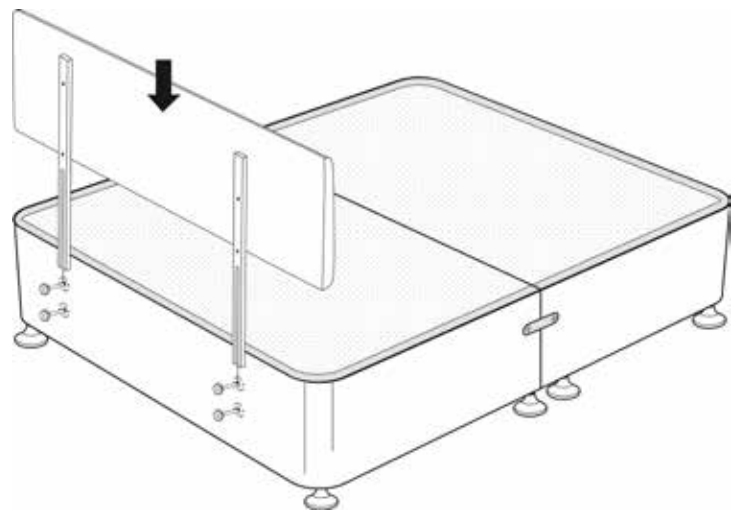


12. Press all 4 headboard screws into the pierced holes until meeting resistance. Proceed to screw the headboard screws clockwise, leaving enough space for the headboard struts to fit into place.

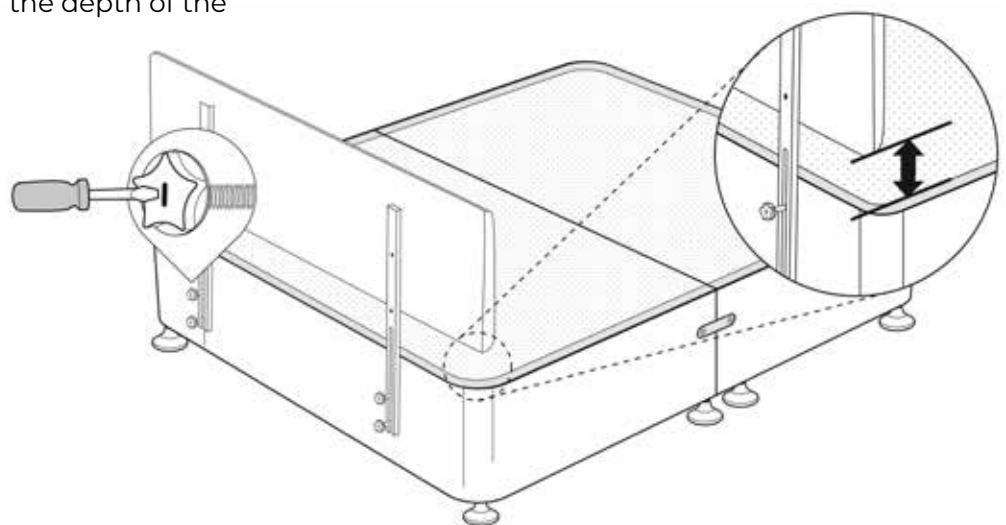


(for the headboard struts fixing, please follow the instructions that came separately with the headboard)

13. Drop the headboard struts down over the headboard screws. Once the headboard is at the desired height tighten the headboard screws until the headboard is locked in place.



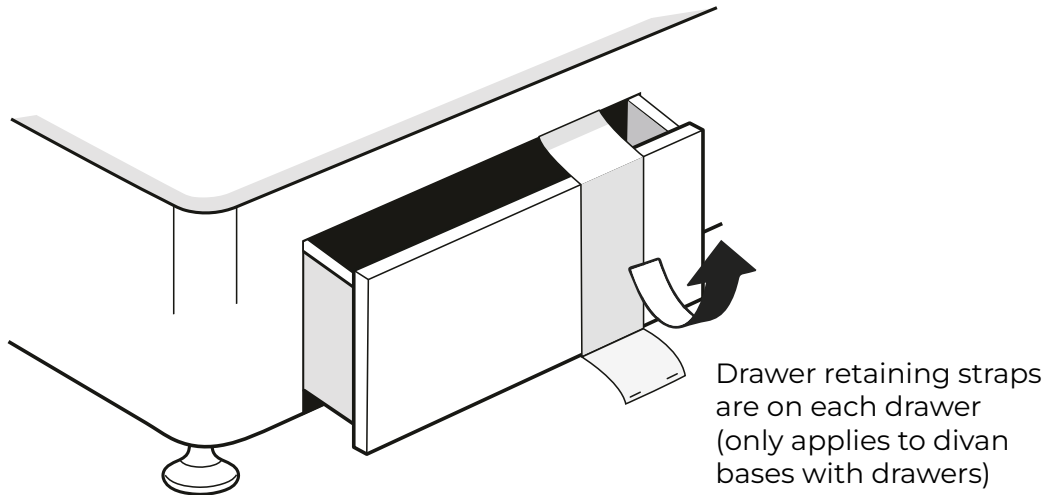
14. Be sure to adjust the height of the headboard to allow for the depth of the mattress.



(For Divan Beds with drawers)

15. The drawers are already installed within the Divan Bed base. Strips of fabric keep the drawers in place during transit and will need to be removed to allow access to the drawers. Remove these strips of fabric via pulling, tugging or cutting them off.

(Please Note: The strips of fabric are secured via staples, so please take care when removing them)



Please dispose of all packaging safely.

General Care & Maintenance

Wipe clean with a slightly damp cloth.
Avoid the use of all household cleaners and abrasives.

Periodically check all screw & fixings to ensure they are secure.

When moving your product, carefully lift into place. Never drag or push the product across the floor as this will cause damage to the joints. If the product is used on hard flooring, such as wood or laminated floor, you must place some protection under the legs to stop the product from moving. If this is not adhered to, it could result in failure to the product that will invalidate the warranty.

For more information on cleaning and product care visit:
<https://www.happybeds.co.uk/help-and-advice>

Notes

In the unlikely event that you have problems putting this product together or have damaged or missing parts, please contact us by visiting:
<https://www.happybeds.co.uk/customer-service>