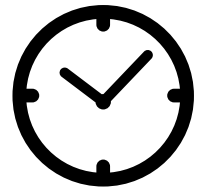


Happy beds™

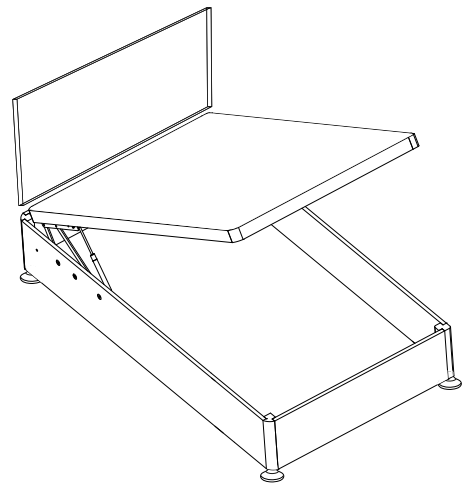
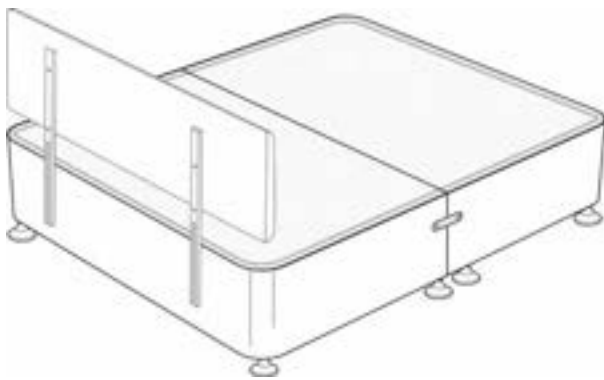
Assembly Instructions

Divan Beds

(Including Ottoman Beds & Build Your Own Bed)



5 - 10 mins
Assembly



Important before assembly:

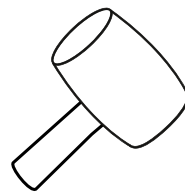
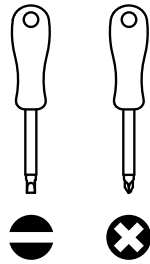
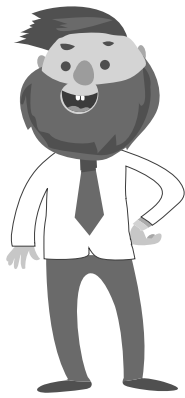
Read these instructions carefully before assembling or using the product.

- Please check the contents of the boxes before attempting to assemble this product. The instructions will have a checklist of parts and fittings.
- It would be sensible to lay a rug or a carpet on the floor where you intend to assemble the product, to avoid scratches and damaging the product or the floor.
- Assemble the product as close to its intended final location/room as possible.
- Do NOT use any power tools as this may damage the frame.

Health & Safety:

- This product or some parts of this product will be heavy. Please use an assistant when lifting.
- DO NOT jump on the product or any of its parts.
- DO NOT use this product if any parts are missing, damaged or worn.
- DO NOT use this product unless all fixings are secured.
- Please keep small parts out of reach of children.
- Always use on a level, even surface.

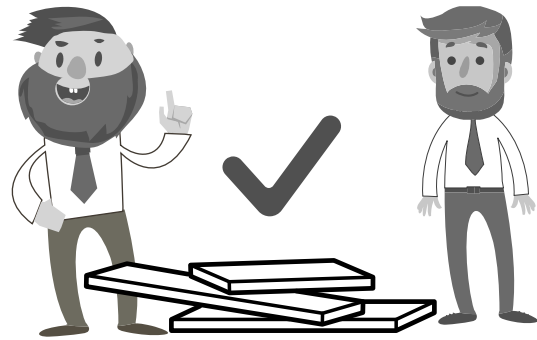
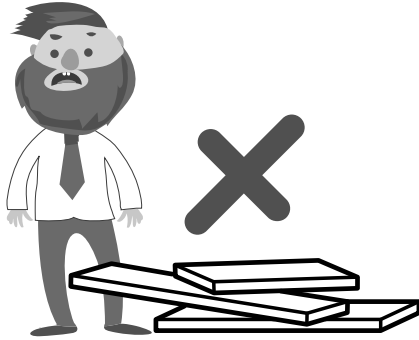
Please keep these instructions for future reference.



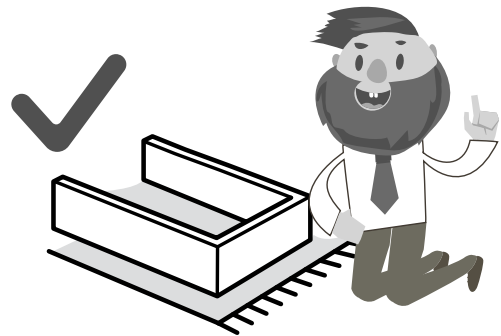
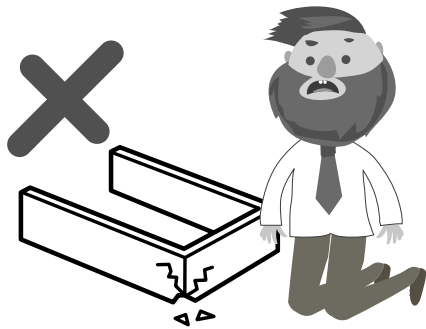
(Not metal)

These tools are not necessary, but may help to assemble certain parts of the product.

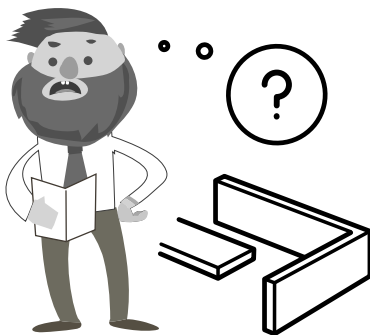
Do NOT use any power tools as this may damage the frame.



This product or some parts of this product will be heavy. Please use an assistant when lifting.



Never drag or push the pieces across a hard or stone floor as this will cause damage to the joints. Use a carpet or a rug for extra care.



If you have problems assembling or have damaged or missing pieces, please contact us by visiting:

<https://www.happybeds.co.uk/customer-service>

Contents

For Single Bases (2ft6, 3ft)	4
For Double Bases (4ft, 4ft6)	7
For King & Super King Bases (5ft, 6ft)	11

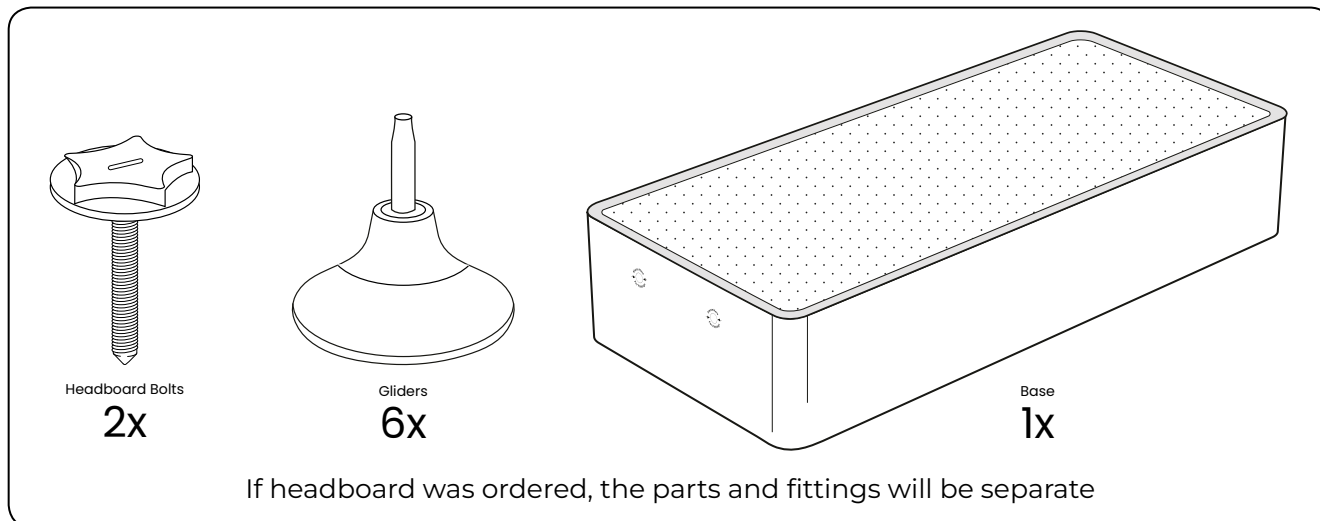
Ottoman Bases:

For Single Ottoman Bases (2ft6, 3ft)	17
For Double Ottoman Bases (4ft, 4ft6, 5ft, 6ft)	18

For Single Bases (2ft6, 3ft)

(Skip to Page 7 for Double or Page 11 for King/Superking)

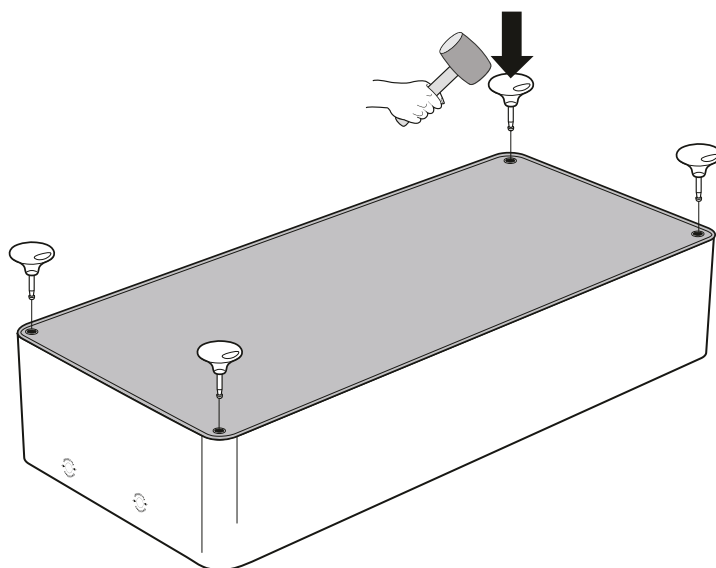
Parts & Fittings Check List



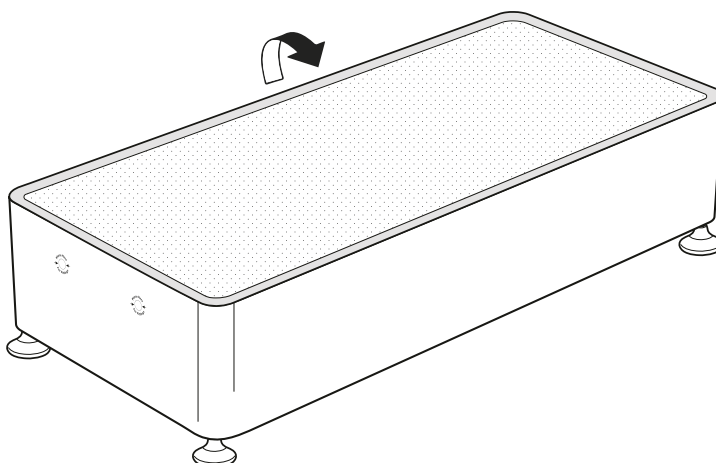
Instructions

1. Remove the outer packaging and cardboard corner protectors.
2. Flip the divan base on its top so that the underside is accessible.
3. Locate the pre-drilled holes at each corner of the base.
4. Securely insert the four gliders into the bottom of the base.

(Please Note: This may require the use of a blunt tool, such as a rubber mallet)



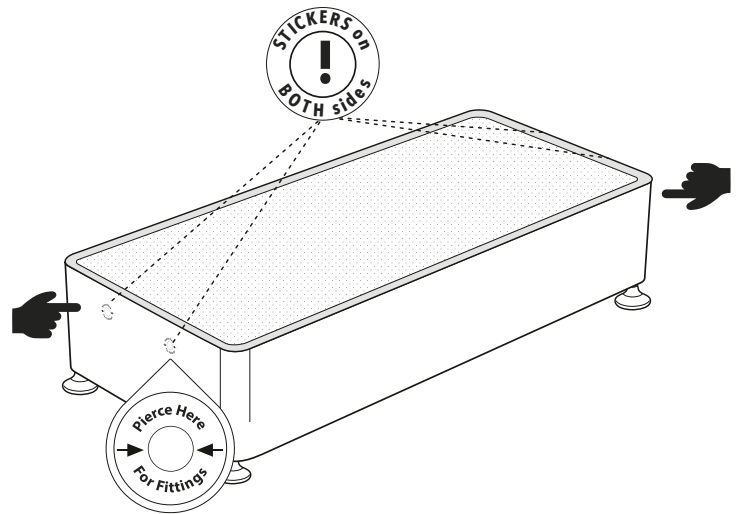
5. Carefully flip the base so that it is now resting atop the gliders, firmly pressing down on each of the corners of the base to ensure that it is stable.



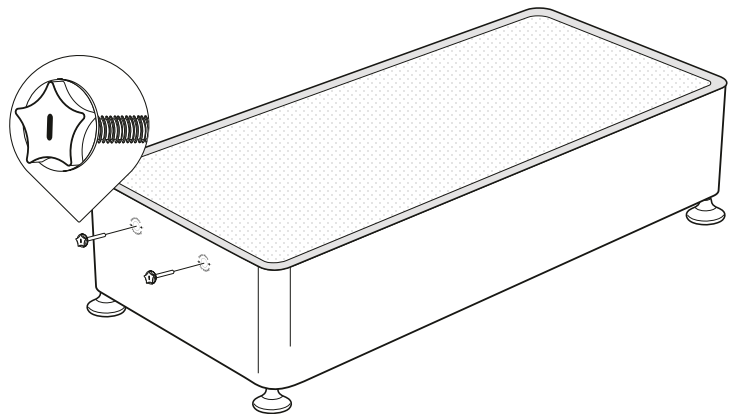
If you have a headboard to attach (or have an existing one)...

6. Locate the headboard stickers on either end of the base.
7. Decide which end the headboard will attach to and pierce the centre of the stickers.

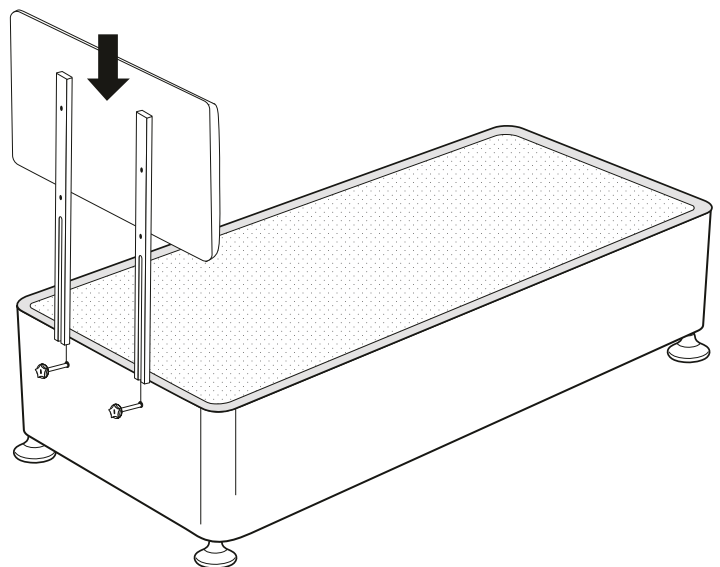
(Please Note: This action is irreversible, so please be sure of which end the headboard will attach. **DO NOT PIERCE BOTH SIDES!**)



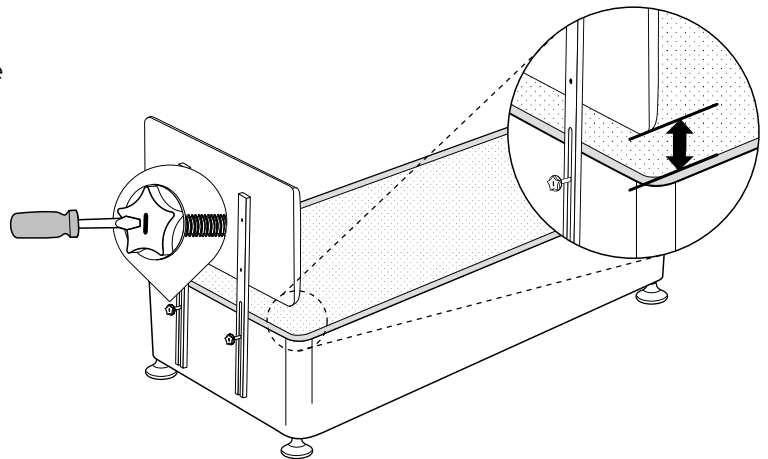
8. Press both headboard screws into the pierced holes until meeting resistance. Proceed to screw the headboard screws clockwise, leaving enough space for the headboard struts to fit into place.



(for the headboard struts fixing, please follow the instructions that came separately with the headboard)



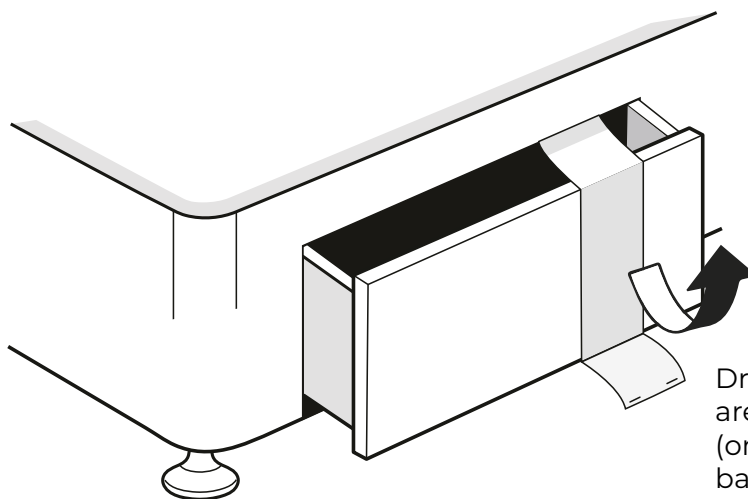
9. Drop the headboard struts down over the headboard screws. Once the headboard is at the desired height tighten the headboard screws until the headboard is locked in place.
10. Be sure to adjust the height of the headboard to allow for the depth of the mattress.



(For Divan Beds with drawers)

11. The drawers are already installed within the Divan Bed base. Strips of fabric keep the drawers in place during transit and will need to be removed to allow access to the drawers. Remove these strips of fabric via pulling, tugging or cutting them off.

(Please Note: The strips of fabric are secured via staples, so please take care when removing them)



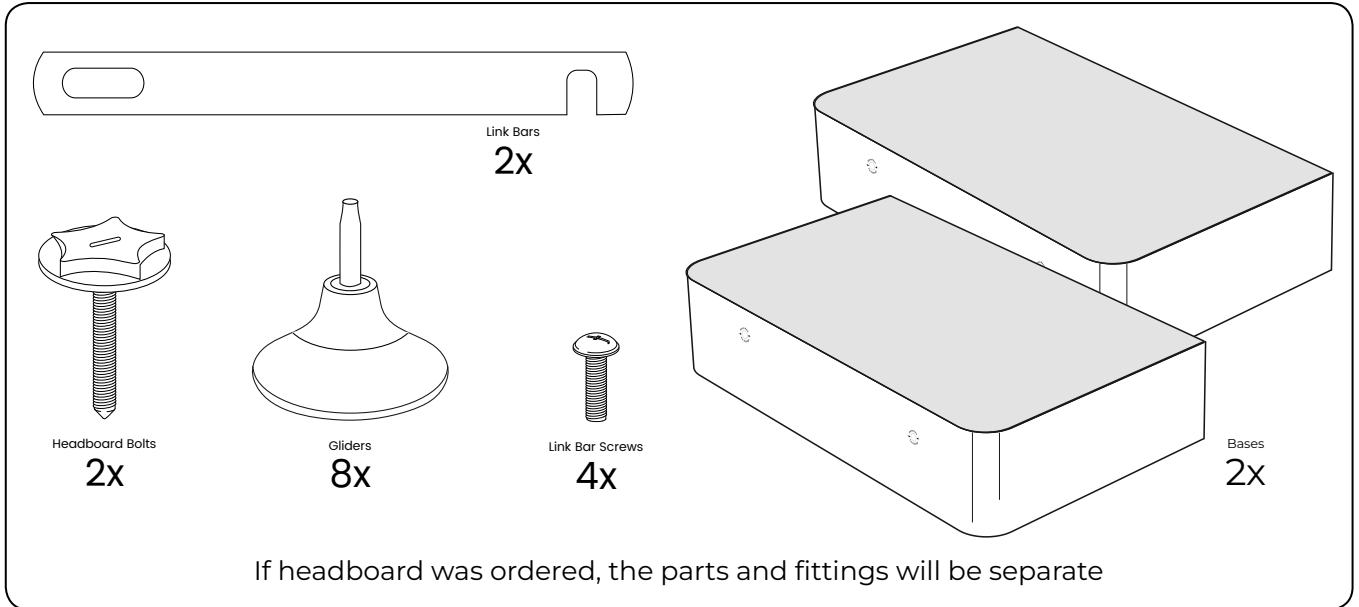
Drawer retaining straps are on each drawer (only applies to divan bases with drawers)

< Double Bases - Next Page >

For Double Bases (4ft, 4ft6)

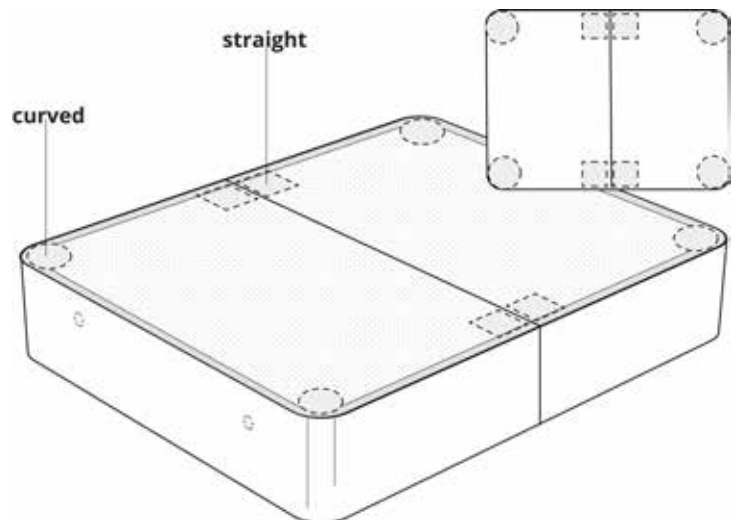
(Go to Page 4 for Single or Page 11 for King/Superking)

Parts & Fittings Check List

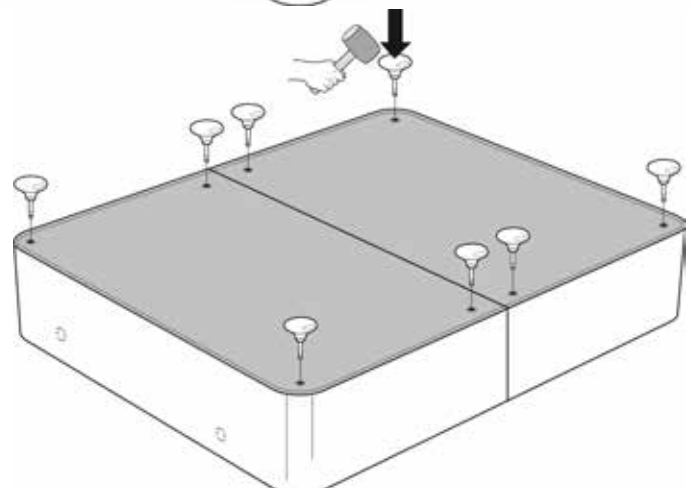


Instructions

1. Remove the outer packaging and cardboard corner protectors.
2. Locate which corners are straight and which are curved. Straight corners indicate where both of the bases will connect.

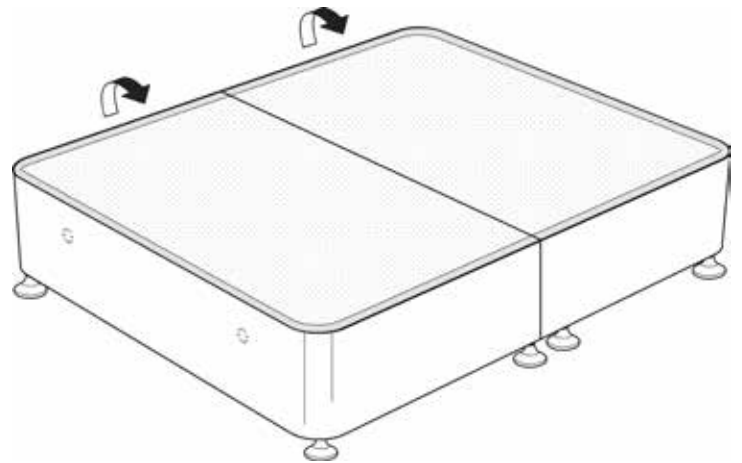


3. Flip both of the divan bases on their tops so that the undersides are accessible.
4. Locate the four pre-drilled holes at each corner of the bases.
5. Securely insert the eight (8) gliders into the bottom of the bases, each base requires four (4).



(Please Note: This may require the use of a blunt tool, such as a rubber mallet)

- Carefully flip the bases so that they are now resting atop the gliders, firmly pressing down on each corner of the bases to ensure that they are stable.

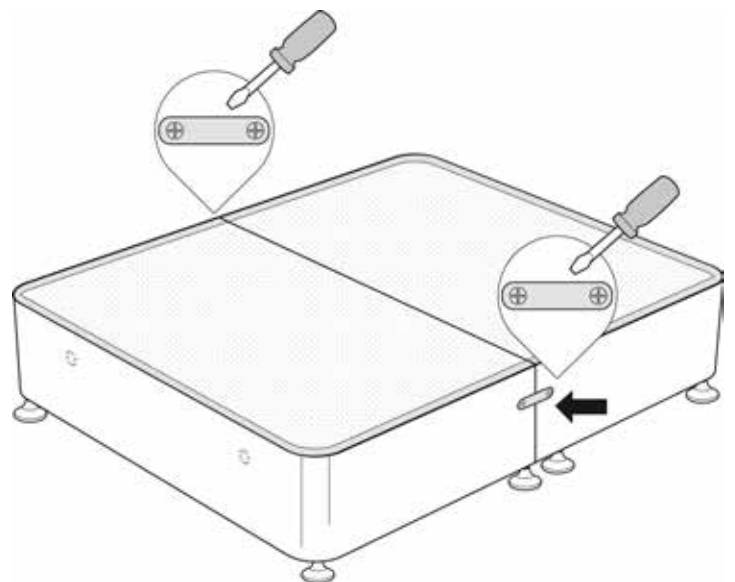


- Locate the link bar holes where the two straight sides of the bases meet. They should be located near the top of the bases.

- (You may need to feel with your finger, as the holes will be hidden under the fabric, and may not be marked).

- Place the link bar along these holes and screw in the nuts. It is advised that the right hand side of the link bar (the side with a smaller hole) is screwed in first so that the larger hole on the left can be adjusted if required.

- Complete screwing the nuts into both sides of the bases.

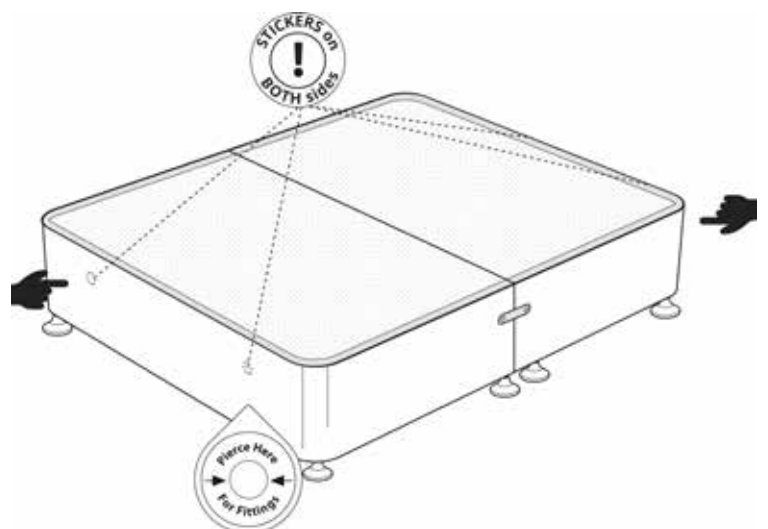


If you have a headboard to attach (or have an existing one)...

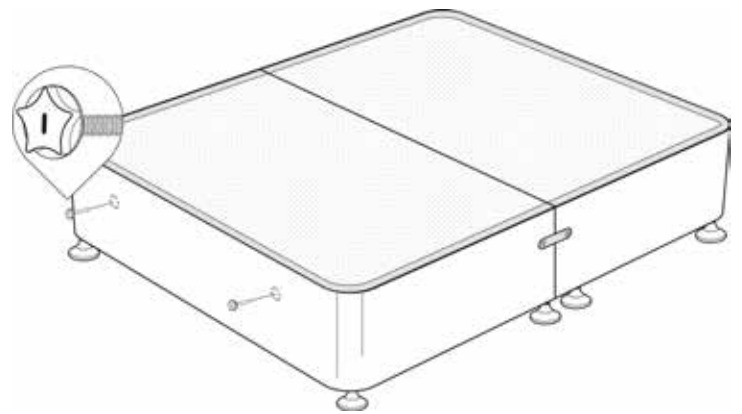
- Locate the headboard stickers on either end of the bases.

- Decide which end the headboard will attach to and pierce the centre of the stickers.

(Please Note: This action is irreversible, so please be sure of which end the headboard will attach. **DO NOT PIERCE BOTH SIDES!**)

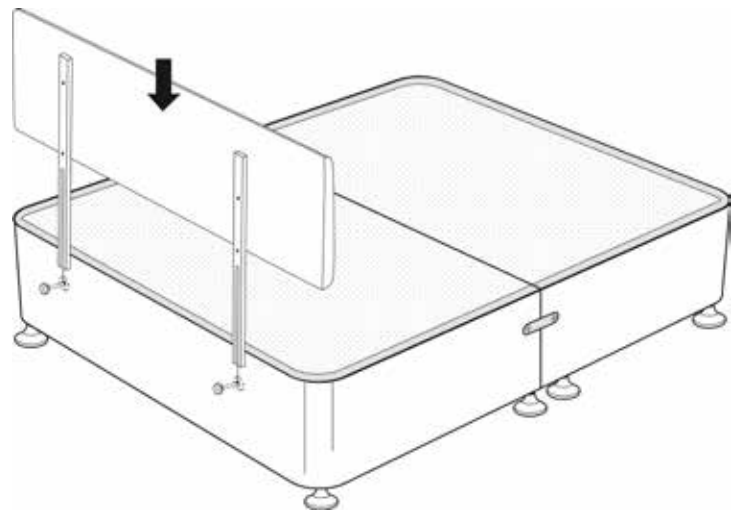


13. Press both headboard screws into the pierced holes until meeting resistance. Proceed to screw the headboard screws clockwise, leaving enough space for the headboard struts to fit into place.

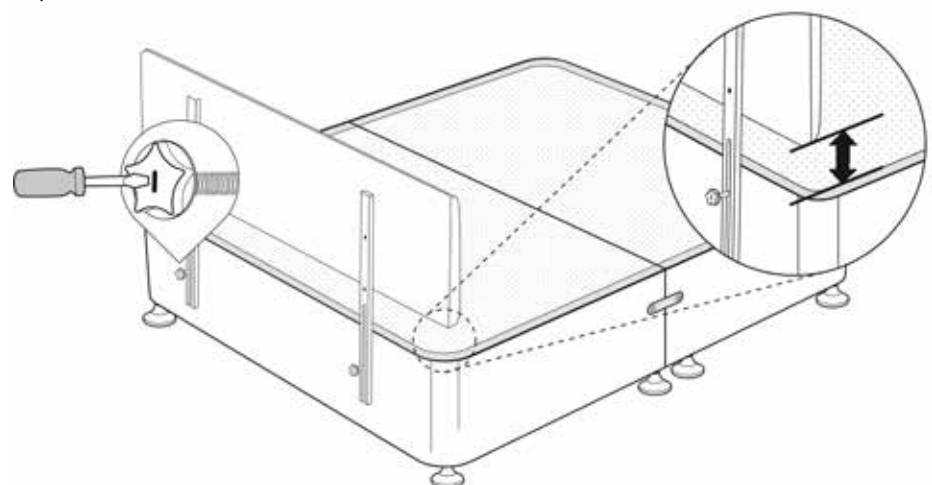


(for the headboard struts fixing, please follow the instructions that came separately with the headboard)

14. Drop the headboard struts down over the headboard screws. Once the headboard is at the desired height tighten the headboard screws until the headboard is locked in place.



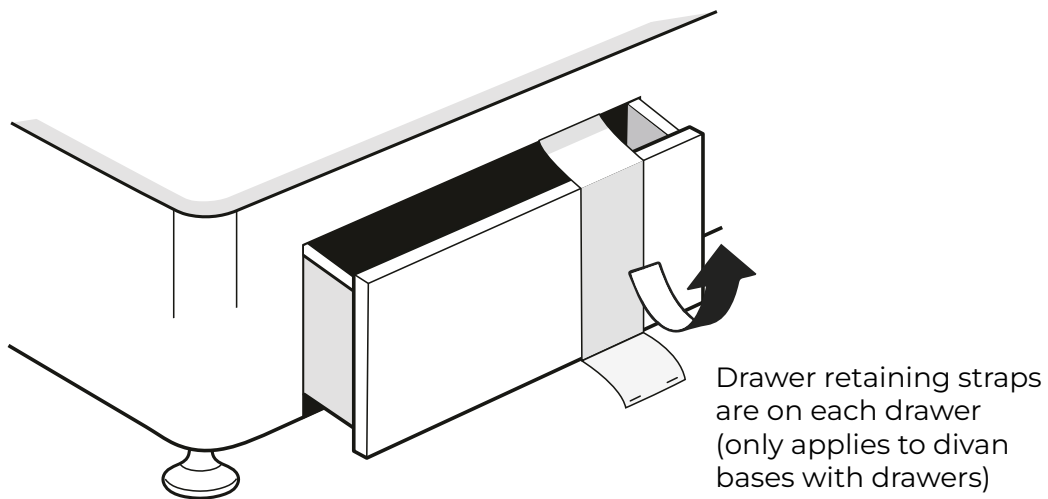
15. Be sure to adjust the height of the headboard to allow for the depth of the mattress.



(For Divan Beds with drawers)

16. The drawers are already installed within the Divan Bed base. Strips of fabric keep the drawers in place during transit and will need to be removed to allow access to the drawers. Remove these strips of fabric via pulling, tugging or cutting them off.

(Please Note: The strips of fabric are secured via staples, so please take care when removing them)

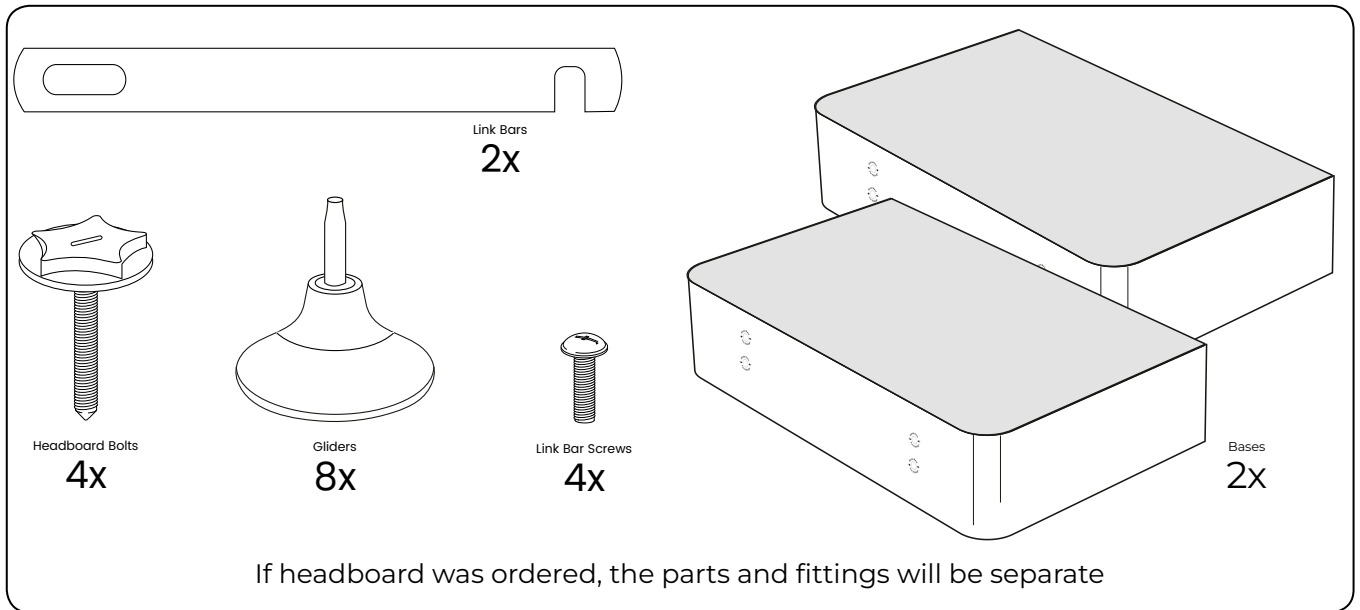


< King & Super King Bases - Next Page >

For King & Superking Bases (5ft, 6ft) Happy beds™

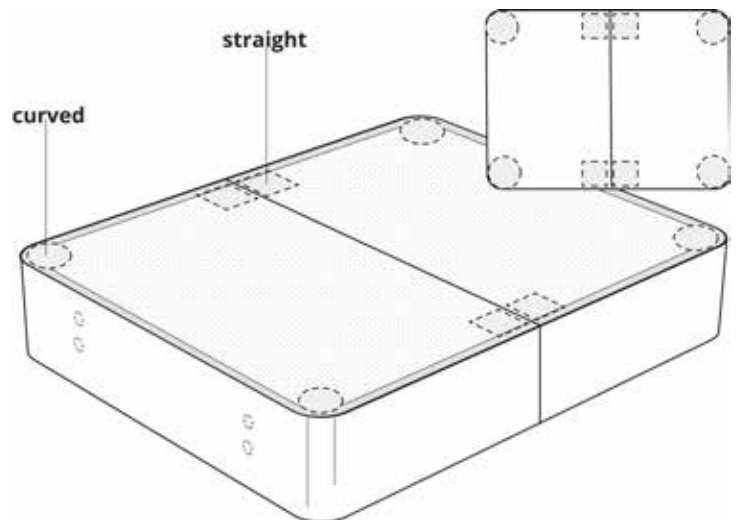
(Go to **Page 4** for Single or **Page 7** for Double)

Parts & Fittings Check List



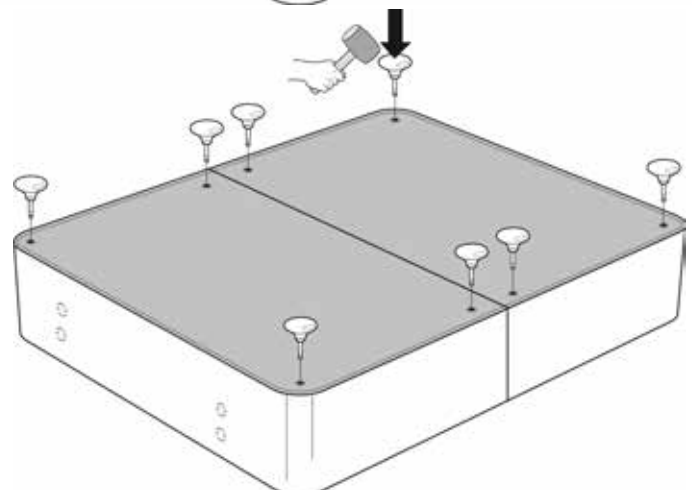
Instructions

1. Remove the outer packaging and cardboard corner protectors.
2. Locate which corners are straight and which are curved. Straight corners indicate where both of the bases will connect.

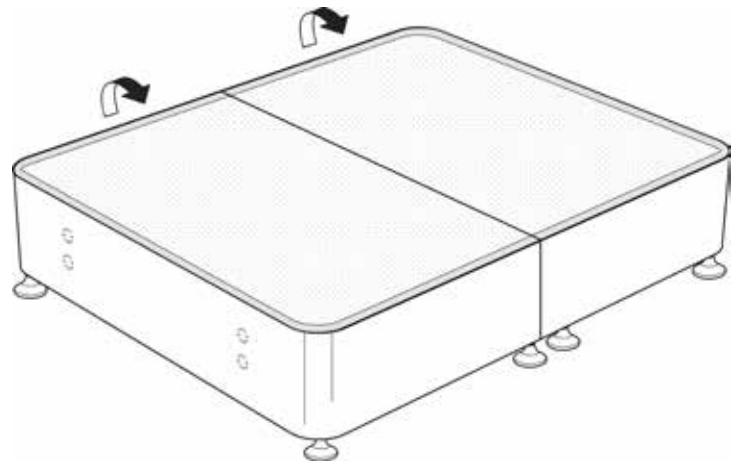


3. Flip both of the divan bases on their tops so that the undersides are accessible.
4. Locate the four pre-drilled holes at each corner of the bases.
5. Securely insert the eight (8) gliders into the bottom of the bases, each base requires four (4).

(Please Note: This may require the use of a blunt tool, such as a rubber mallet)



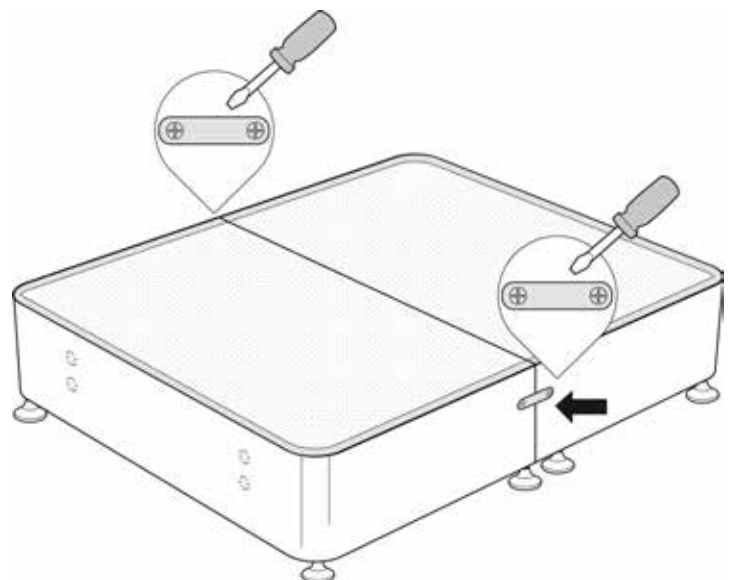
- Carefully flip the bases so that they are now resting atop the gliders, firmly pressing down on each corner of the bases to ensure that they are stable.



- Locate the link bar holes where the two straight sides of the bases meet. They should be located near the top of the bases.

(You may need to feel with your finger, as the holes will be hidden under the fabric, and may not be marked).

- Place the link bar along these holes and screw in the nuts. It is advised that the right hand side of the link bar (the side with a smaller hole) is screwed in first so that the larger hole on the left can be adjusted if required.



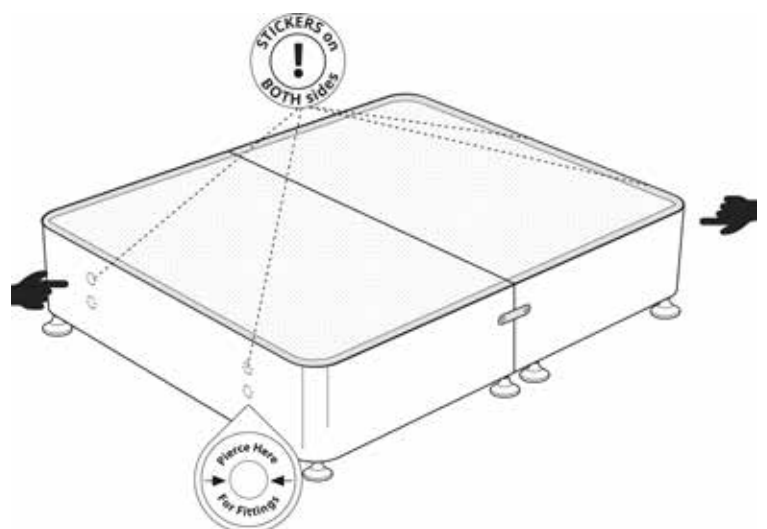
- Complete screwing the nuts into both sides of the bases.

If you have a headboard to attach (or have an existing one)...

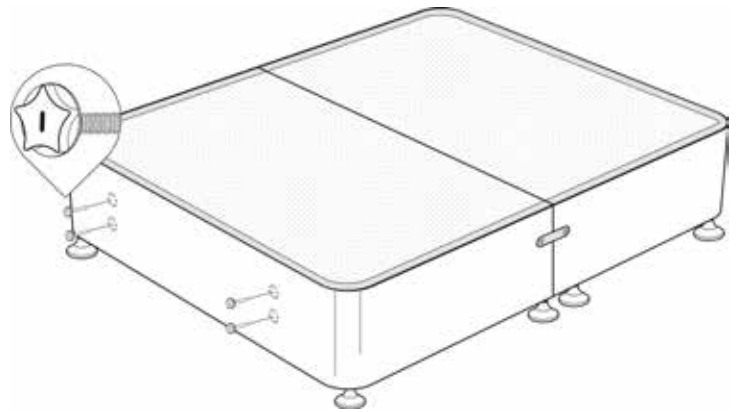
- Locate the headboard stickers on either end of the bases.

- Decide which end the headboard will attach to and pierce the centre of the stickers.

(Please Note: This action is irreversible, so please be sure of which end the headboard will attach. **DO NOT PIERCE BOTH SIDES!**)

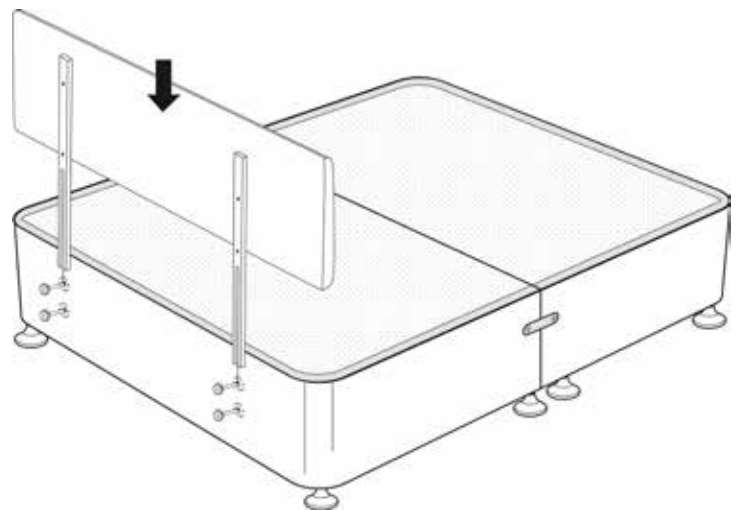


12. Press all 4 headboard screws into the pierced holes until meeting resistance. Proceed to screw the headboard screws clockwise, leaving enough space for the headboard struts to fit into place.

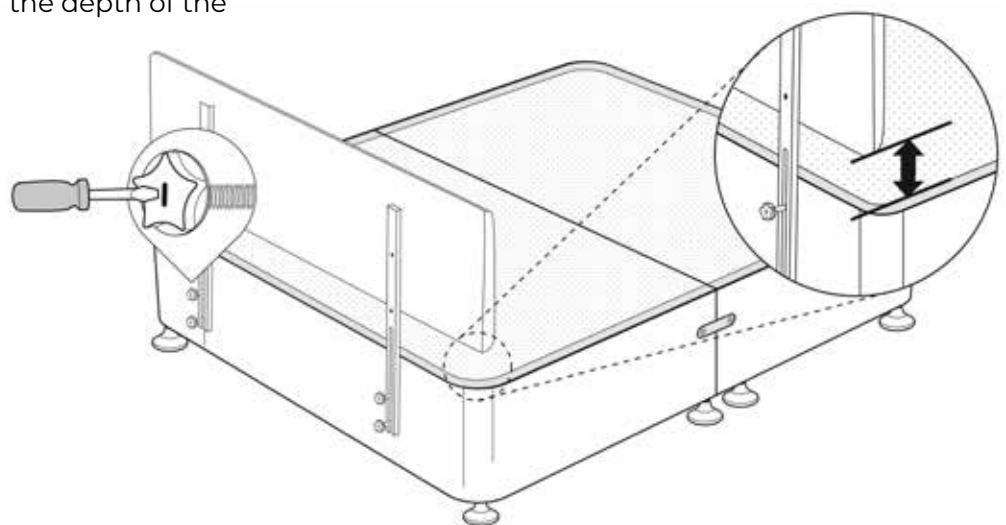


(for the headboard struts fixing, please follow the instructions that came separately with the headboard)

13. Drop the headboard struts down over the headboard screws. Once the headboard is at the desired height tighten the headboard screws until the headboard is locked in place.



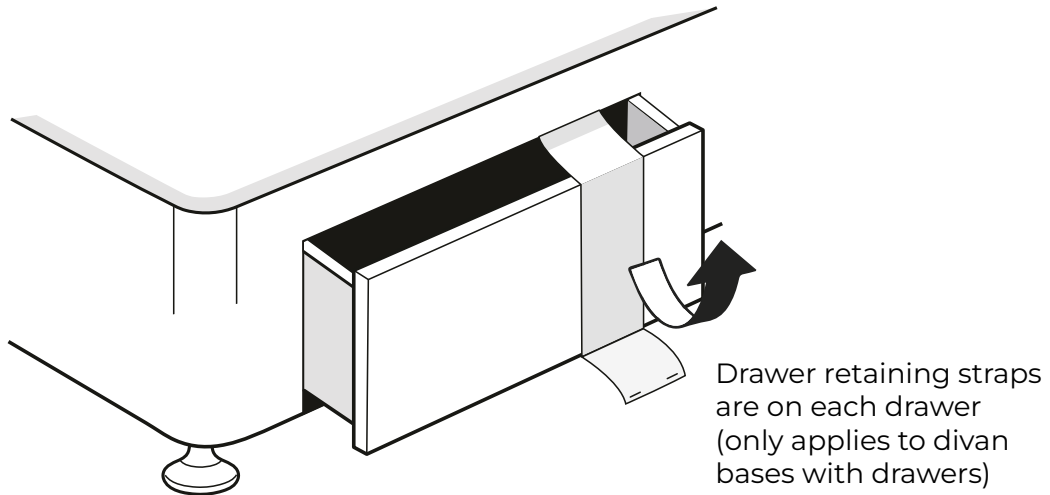
14. Be sure to adjust the height of the headboard to allow for the depth of the mattress.



(For Divan Beds with drawers)

15. The drawers are already installed within the Divan Bed base. Strips of fabric keep the drawers in place during transit and will need to be removed to allow access to the drawers. Remove these strips of fabric via pulling, tugging or cutting them off.

(Please Note: The strips of fabric are secured via staples, so please take care when removing them)

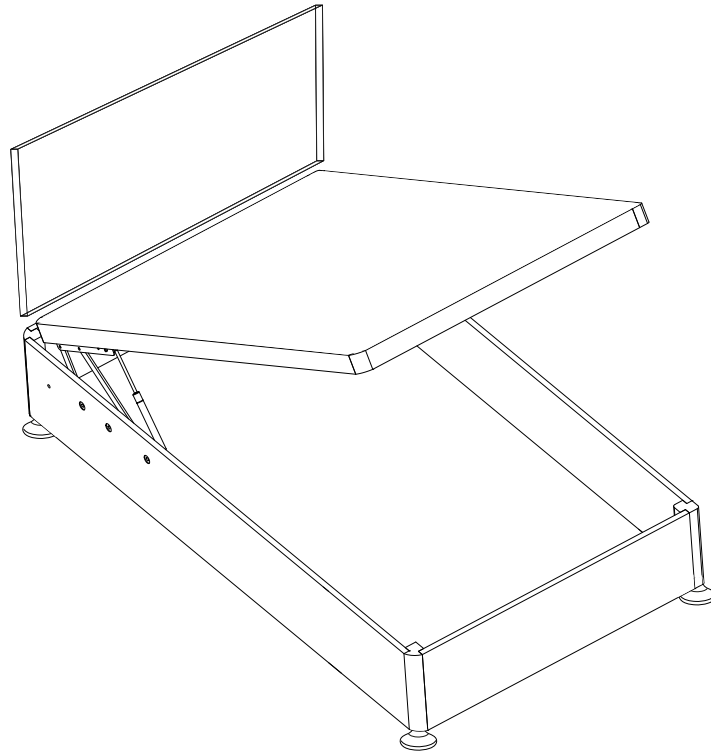


< Ottoman Beds - Next Page >

Happy beds™

Assembly Instructions

Ottoman Beds



Important before assembly:

Read these instructions carefully before assembling or using the product.

- Please check the contents of the boxes before attempting to assemble this product. The instructions will have a checklist of parts and fittings.
- It would be sensible to lay a rug or a carpet on the floor where you intend to assemble the product, to avoid scratches and damaging the product or the floor.
- Assemble the product as close to its intended final location/room as possible.
- Do NOT use any power tools as this may damage the frame.

Health & Safety:

- This product or some parts of this product will be heavy. Please use an assistant when lifting.
- DO NOT jump on the product or any of its parts.
- DO NOT use this product if any parts are missing, damaged or worn.
- DO NOT use this product unless all fixings are secured.
- Please keep small parts out of reach of children.
- Always use on a level, even surface.



Important for Ottoman and other gas lift beds

Note:

The bed base is in the upright position when first assembled as the gas lifts are fully extended during shipment for safety. After assembly a firm downward push will be required to overcome any resistance in the gas lifts as these may initially stick. We suggest placing a mattress on top of the bed base to aide this and also test the operation of your new lift up bed by lifting and pushing down the bed base a few times to allow the lifting mechanism to bed in.

The lift mechanism provides assistance with the lift of the mattress fitted to the base. It does not lift the mattress for you. The system has been designed to effectively lift the base system fitted with a variety of mattress weights and combinations of depths. Depending on the combination of the mattress weight and depth determines the degree of assistance provided by the mechanism.

Following the installation of the mechanism lift, pull the base up and down a few times to free off the system. The gas cylinders fitted to the system may be stiff when first used or if the system has not been operated for a period of time.

Use the strap handles to lift up the mattress base using two hands. Pull the mattress base down using two hands equally spaced from the centre of the mattress base. DO NOT pull down on one side of the base only as this is likely to damage the base system with potential failure of the mattress base system and lift mechanism.

Do NOT operate the lift up mechanism without the mattress placed on the base.

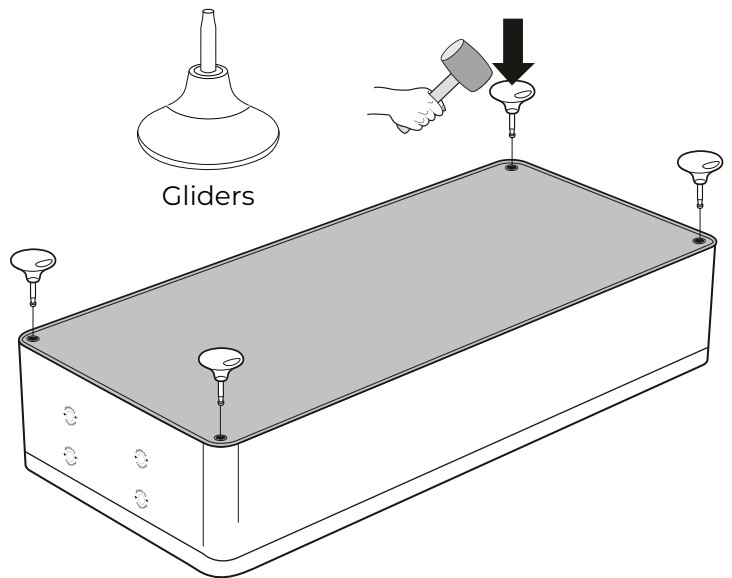
Caution:

Do NOT allow children to operate the lift mechanism.
Do NOT allow children near the lift base when operating the mechanism.
Do NOT allow children in the area of the internal storage base.
Keep hands clear of the mechanism when operating the base system.
Do NOT stand inside the bed or the internal storage base.
Do NOT overload the internal storage base.

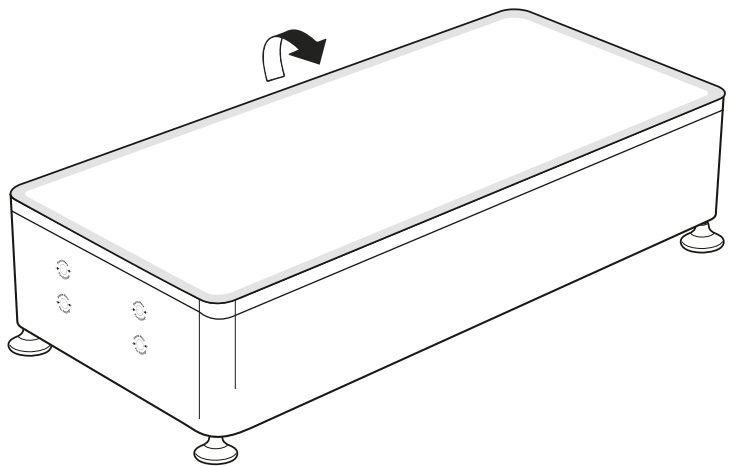
Instructions

1. Remove the outer packaging and cardboard corner protectors.
2. Flip the divan base on its top so that the underside is accessible.
3. Locate the pre-drilled holes at each corner of the base.
4. Securely, but gently, insert the four gliders into the bottom of the base.

(Please Note: This may require the use of a blunt tool, such as a rubber mallet)

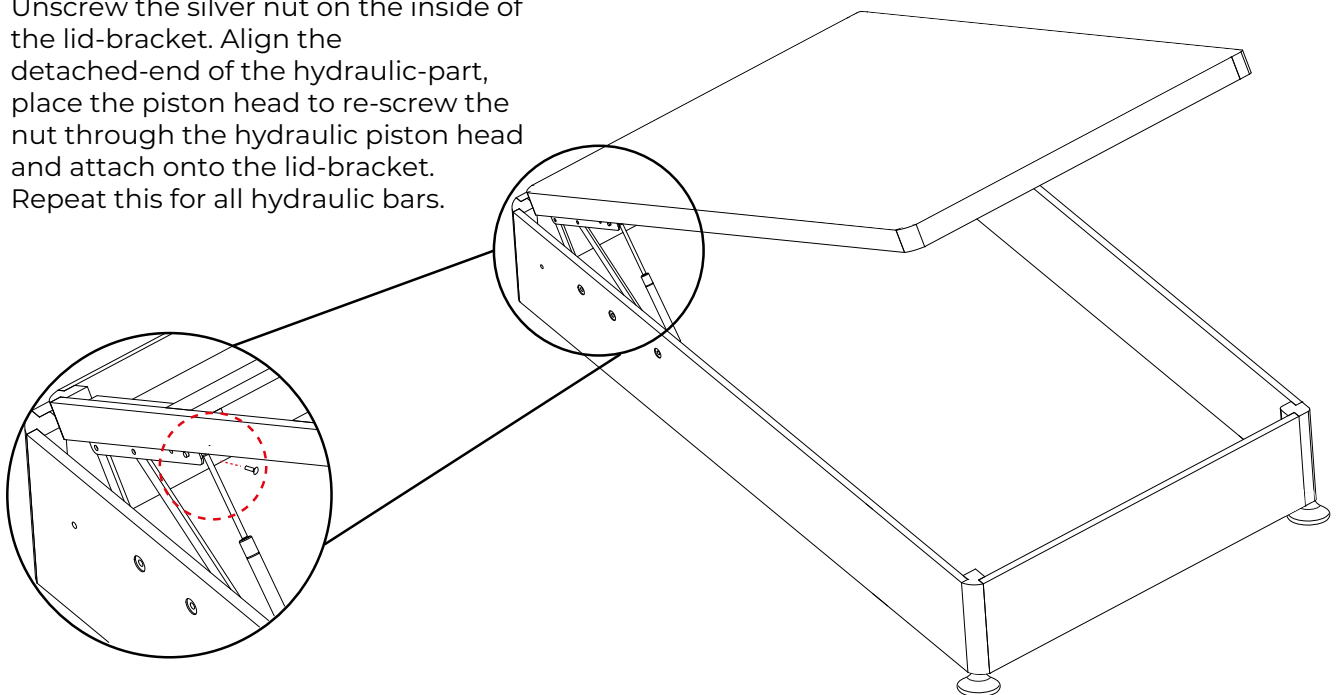


5. Carefully flip the base so that it is now resting atop the gliders, firmly pressing down on each of the corners of the base to ensure that it is stable.

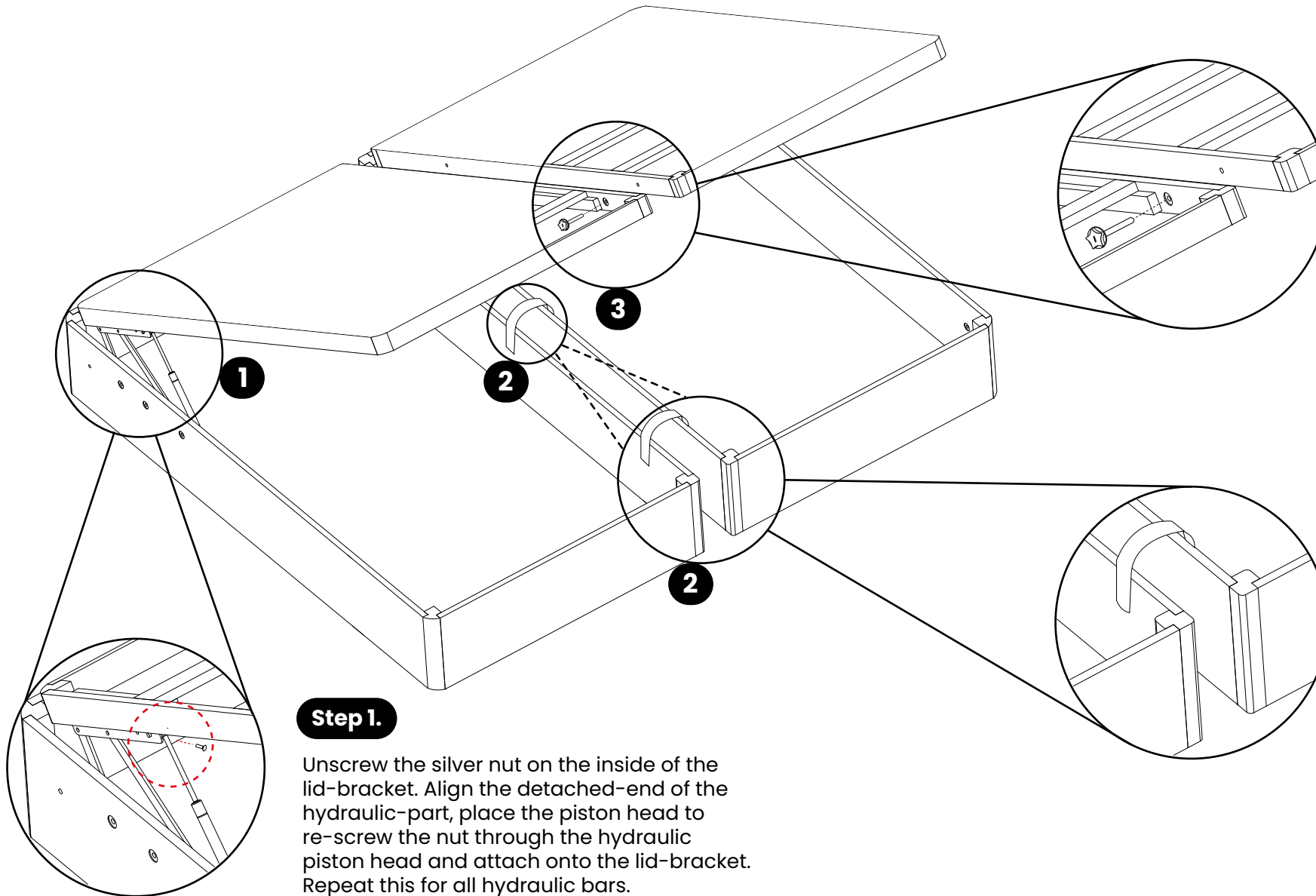


For Single Bases

6. Unscrew the silver nut on the inside of the lid-bracket. Align the detached-end of the hydraulic-part, place the piston head to re-screw the nut through the hydraulic piston head and attach onto the lid-bracket. Repeat this for all hydraulic bars.



For Double Bases

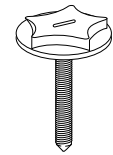


Step 1.

Unscrew the silver nut on the inside of the lid-bracket. Align the detached-end of the hydraulic-part, place the piston head to re-screw the nut through the hydraulic piston head and attach onto the lid-bracket. Repeat this for all hydraulic bars.

Step 3.

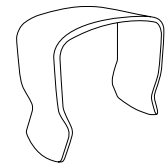
Join the two lid-frames together with the bolt provided under the lid.



Bolt

Step 2.

Join both halves of the base together using the two link clips provided. Ensure the square edges are adjacent. Space out each clip along the base.

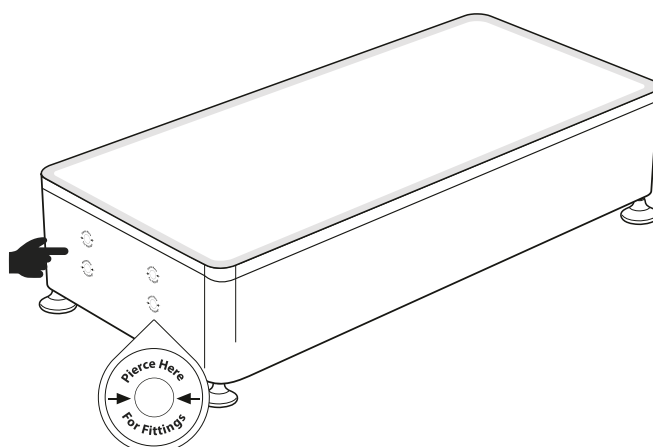


2 x Link Clips

If you have a headboard to attach (or have an existing one)...

7. Locate the headboard stickers on the end of the base.

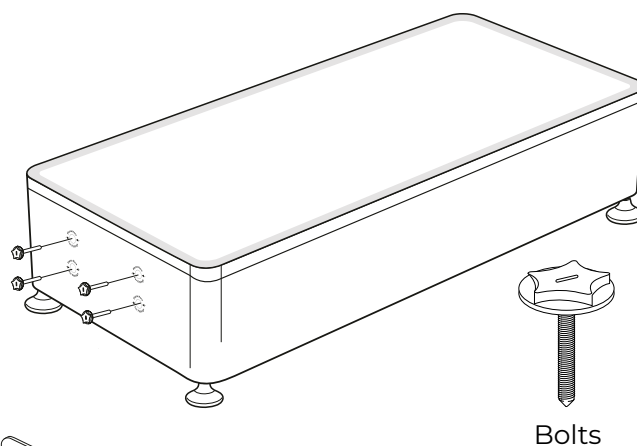
IMPORTANT: For Double or King bases, NOT ALL the stickers will be pierced, but only those that are required, aligning with the headboard struts on both bases.



8. Pierce the centre of the stickers as required.

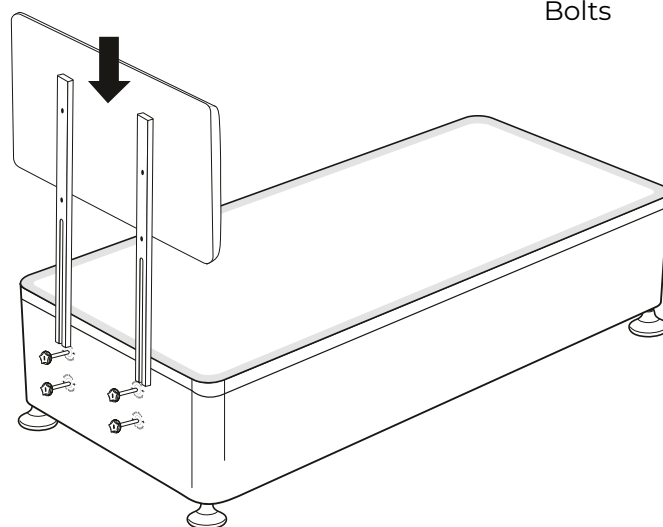
(Please Note: This action is irreversible, so please be sure before piercing).

9. Press the headboard screws into the pierced holes until meeting resistance. Proceed to screw the headboard screws clockwise, leaving enough space for the headboard struts to fit into place.

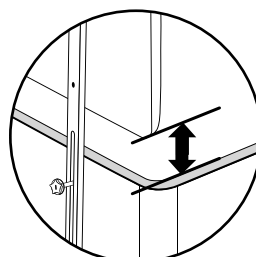


(for the headboard struts fixing, please follow the instructions that came separately with the headboard)

10. Drop the headboard struts down over the headboard screws. Once the headboard is at the desired height tighten the headboard screws until the headboard is locked in place.



11. Be sure to adjust the height of the headboard to allow for the depth of the mattress.



Please dispose of all packaging safely.

General Care & Maintenance

Wipe clean with a slightly damp cloth.
Avoid the use of all household cleaners and abrasives.

Periodically check all screw & fixings to ensure they are secure.

When moving your product, carefully lift into place. Never drag or push the product across the floor as this will cause damage to the joints. If the product is used on hard flooring, such as wood or laminated floor, you must place some protection under the legs to stop the product from moving. If this is not adhered to, it could result in failure to the product that will invalidate the warranty.

For more information on cleaning and product care visit:
<https://www.happybeds.co.uk/help-and-advice>

Notes

In the unlikely event that you have problems putting this product together or have damaged or missing parts, please contact us by visiting:
<https://www.happybeds.co.uk/customer-service>