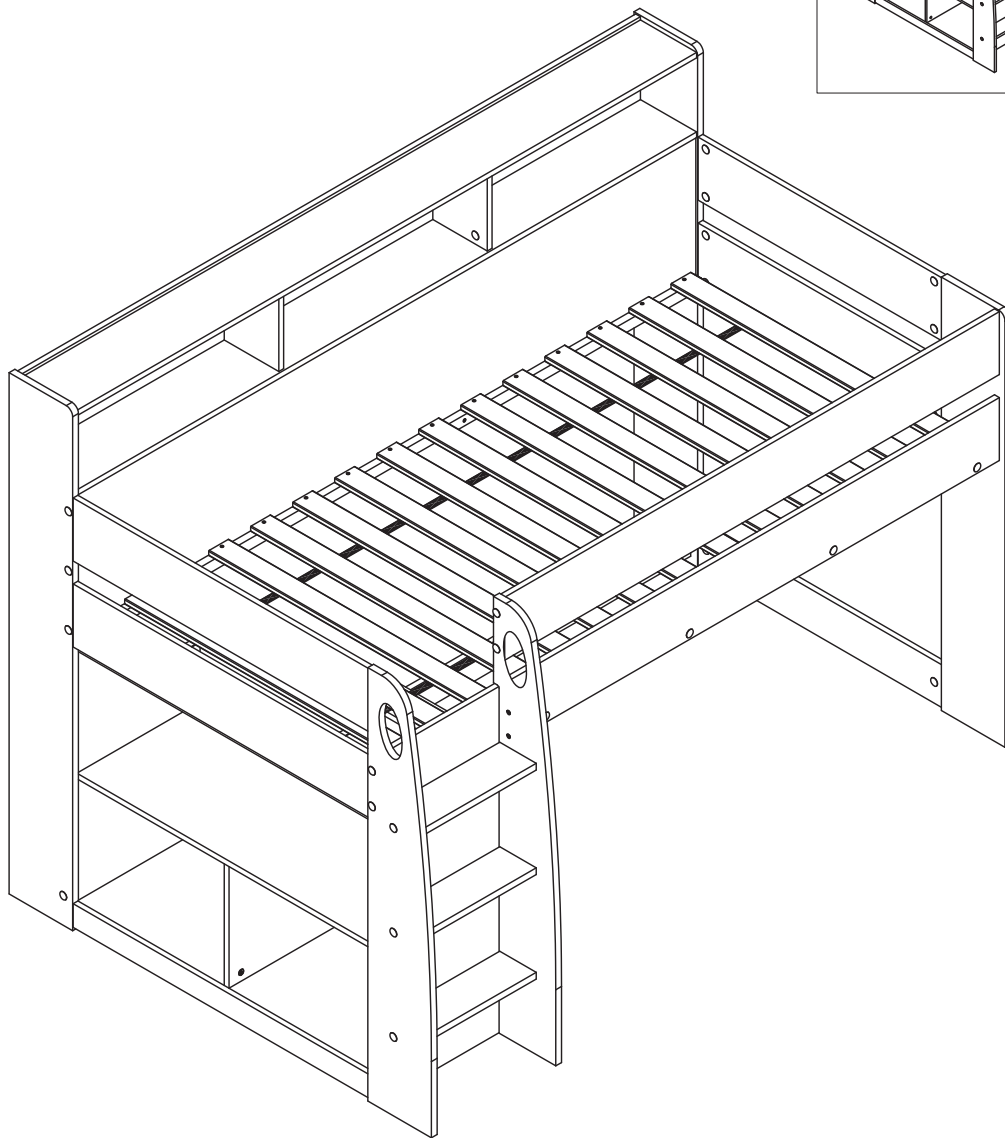
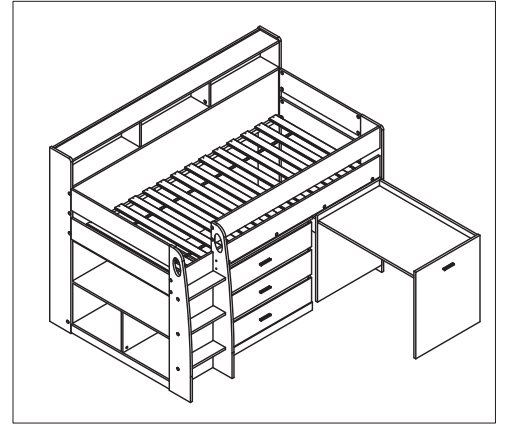


# Ersa Midsleeper

## Assembly Instructions



## SAFETY ADVICE

Please take the time to carefully read through the whole of these instructions before you commence.

Keep these instructions for future reference.

Unpack, inspect and check of all of the contents.

Please dispose of all packing safely.

Small components parts could choke a child is swallowed.

We strongly recommend that you keep children well away from the work area.

It would be sensible to lay a sheet or blanket on the floor where you intend to work to avoid Scratching this product and protect your floor.

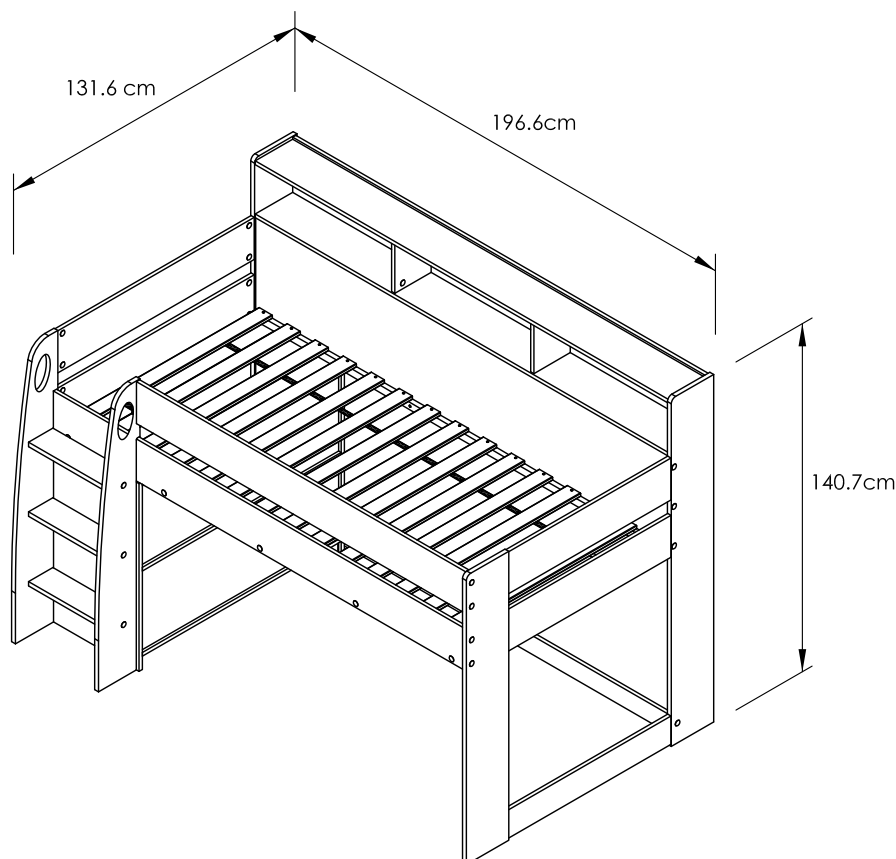
This product is heavy. Take extreme care when lifting to avoid personal injury or damage to the product.

This bed is heavy. Always lift this bed with two people.

Assemble the product as close to its intended final position in the room as possible.

Keep any sharp object away from the bed frame.

**HANDY HINT:** If you keep the hardware in a bowl during assembly you will be less likely to lose them.



## BS EN 747-1:2012+A1:2015 SAFETY WARNINGS AND GENERAL NOTES: IMPORTANT - READ CAREFULLY - RETAIN FOR FUTURE REFERENCE

WARNING - High beds and the upper bed of bunk beds are not suitable for children under six years due to the risk of injury from falls.

WARNING - Bunk beds and high beds can present a serious risk of injury from strangulation if not used correctly. Never attach or hang items to any part of the bunk bed that are not designed to be used with the bed, for example, but not limited to ropes, strings, cords, hooks, belts and bags.

WARNING - Children can become trapped between the bed and the wall, a roof pitch, the ceiling, adjoining pieces of furniture (e.g. cupboards) and the like. To avoid risk of serious injury the distance between the top safety barrier and the adjoining structure shall not exceed 75mm or shall be more than 230mm.

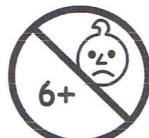
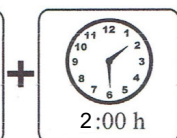
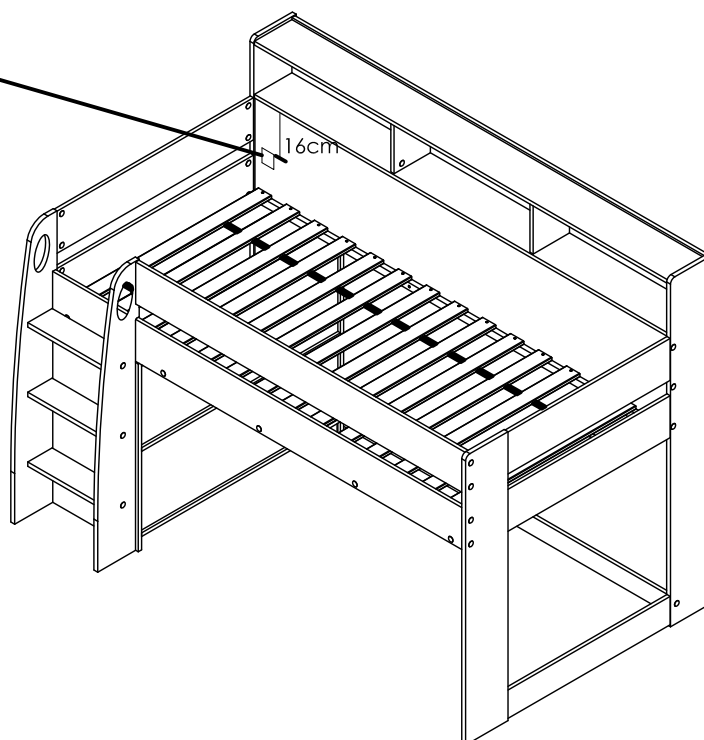
WARNING - Do not use the bunk bed / high bed if any structural part is broken or missing.

- Always follow the manufacturer's instructions.
- Prohibit horseplay on or under the bed. Always prohibit jumping on the bed.
- Prohibit more than one person on high bed and upper bunk.
- Always use the ladder for entering and leaving the high bed and upper bunk.
- Only use a mattress that is 1905mm (75") long and 915mm (36") wide on upper bunk bed.  
The top of the mattress shall be at least 160mm (6-1/4") below the edge of the safety barriers.
- Ensure thickness of mattress below the mark that had been made at the entrance of upper bunk.
- Ensure that ventilation of the room is necessary in order to keep the humidity low and to prevent mould in and around the bed.
- All assembly fastenings should always be tightened properly and that care should be taken that no fittings are loose.

WARNING - Do not use any power tools as this may damage the frame and will invalid any claim.

This item conforms the European Safety Standards - BS EN 747-1:2012+A1:2015.

The top of the mattress must  
not come above this line



# PART LIST

Model : Ersa Midsleeper

**Carton 1 of 6**

No.	Part Name	Pcs
①L	FOOTBOARD POST (LEFT)	1
①R	HEADBOARD POST (RIGHT)	1
②L	FOOTBOARD POST (LEFT)	1
②R	HEADBOARD POST (RIGHT)	1
③L	FOOTBOARD PANEL (LEFT)	2
③R	HEADBOARD PANEL (RIGHT)	2
④L	FOOTBOARD RAIL (LEFT)	1
④R	HEADBOARD RAIL (RIGHT)	1
⑬	LADDER SIDE (RIGHT)	1
⑭	LADDER SLAT	3

**Carton 2 of 6**

⑤	TOP SIDE RAIL (FRONT)	1
⑤A	BOTTOM RAIL	1
⑥	SLAT SUPPORT	2
⑦	SEMI GUARD RAIL	1
⑧	FULL GUARD RAIL	1
⑨	TOP SHELF	1
⑩	BOTTOM SHELF	1
⑪	DIVIDER	2
⑫	BACK PANEL	1

**FITTING LIST**

**Carton 3 of 6**

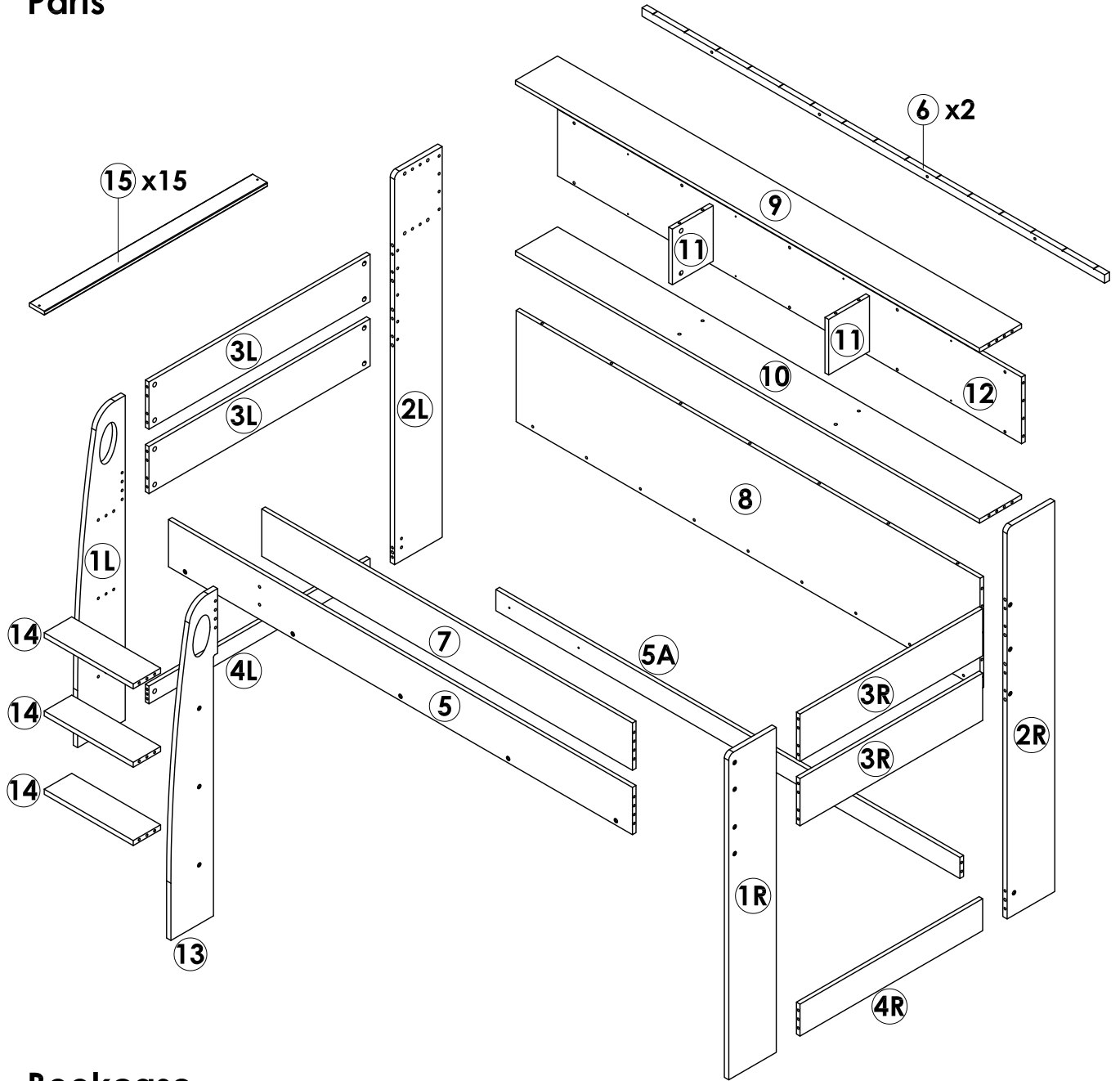
⑮	SLAT	15
---	------	----

**Carton 4 of 6**

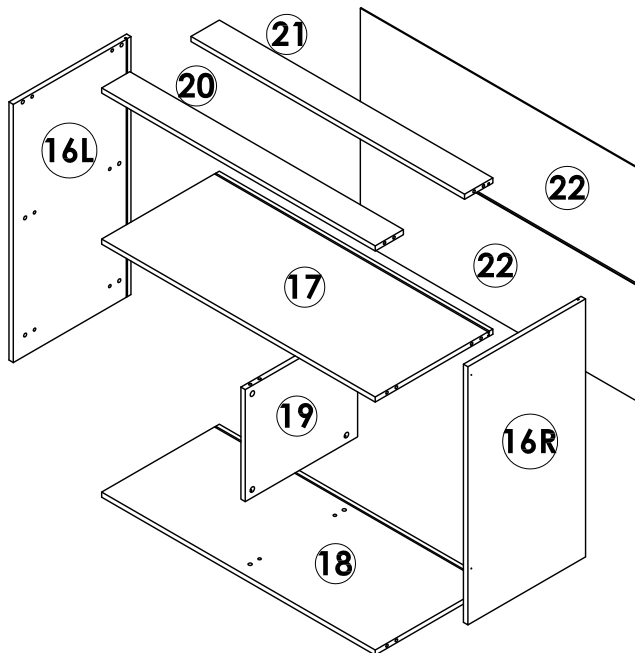
⑯L	SIDE PANEL (LEFT) - BOOKCASE	1
⑯R	SIDE PANEL (RIGHT) - BOOKCASE	1
⑰	TOP SHELF- BOOKCASE	1
⑱	BOTTOM SHELF- BOOKCASE	1
⑲	DIVIDER - BOOKCASE	1
⑳	TOP RAIL (FRONT) - BOOKCASE	1
㉑	TOP RAIL (REAR) - BOOKCASE	1
㉒	BACK PANEL - BOOKCASE	2

**FITTING LIST**

# Parts

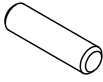


# Bookcase



# Hardware (Bed)

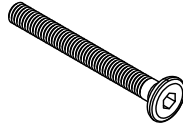
**A**



PLASTIC DOWEL (M8 x 30MM)

**91 PCS**

**B**



JCBC BOLT (M6 x 55MM)

**24 PCS**

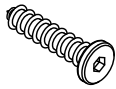
**C**



JRN NUT (M6 x 13MM)

**24 PCS**

**D**



JCBC W SCREW (M7 x 32MM)

**10 PCS**

**E**



CONNECTING BOLT (24MM)

**36 PCS**

**F**



MINIFIX (12MM)

**36 PCS**

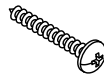
**G**



CSK C/B SCREW (M4 x 32MM)

**30 PCS**

**H**



P/H RATTAN SCREW (#8 x 32MM)

**10 PCS**

**J**



EURO NYLON

**36 PCS**

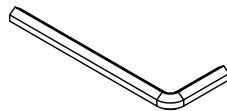
**K**



ROUND STICKER (0.5 x 21MM)

**51 PCS**

**L**

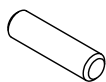


ALLEN KEY (M4 x 60MM)

**1 PC**

# Hardware (Bookcase)

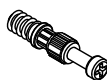
**A**



PLASTIC DOWEL (M8 x 30MM)

**16 PCS**

**B**



CONNECTING BOLT (24MM)

**16 PCS**

**C**



MINIFIX (12MM)

**16 PCS**

**D**



CSK C/B SCREW (3.5 x 16MM)

**6 PCS**

**E**



P/H RATTAN SCREW (#8 x 25MM)

**2 PCS**

**F**



EURO NYLON

**16 PCS**

**G**



2 HOLE L-BRACKET S39 (18 x 20 x 2MM)

**3 PCS**

## Hardware (Bookcase)

(A)



PLASTIC DOWEL (M8 x 30MM)  
16 PCS

(B)



CONNECTING BOLT (24MM)  
16 PCS

(C)



MINIFIX (12MM)  
16 PCS

(D)



CSK C/B SCREW (3.5 x 16MM)  
6 PCS

(E)



P/H RATTAN SCREW (#8 x 25MM)  
2 PCS

(F)



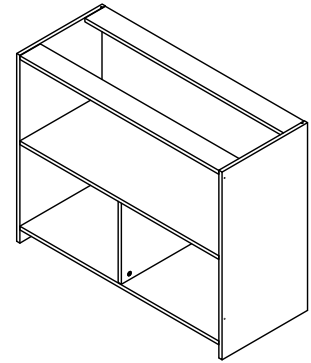
EURO NYLON  
16 PCS

(G)



2 HOLE L-BRACKET S39 (18 x 20 x 2MM)  
3 PCS

Bookcase

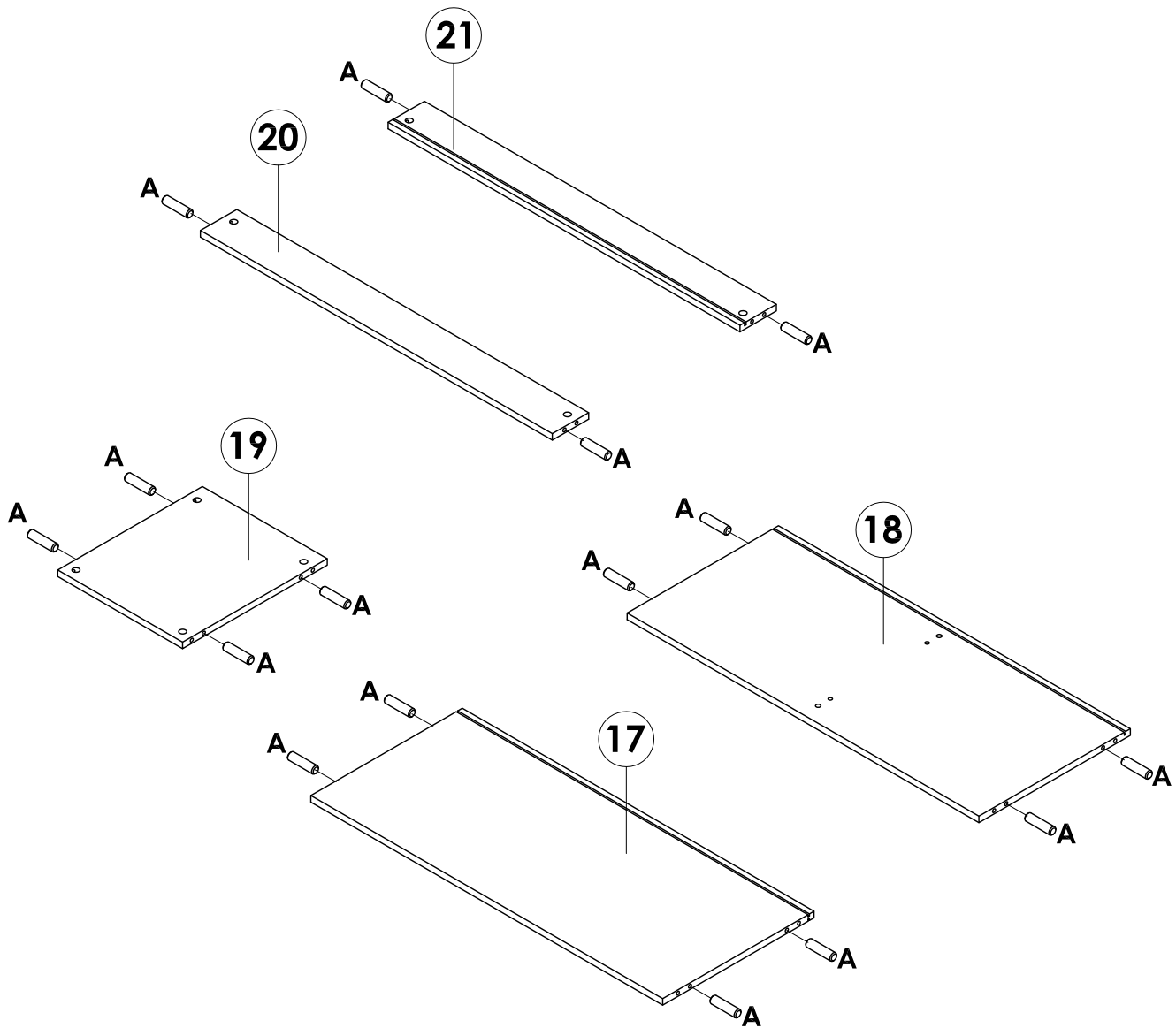


## STEP 1

A





16

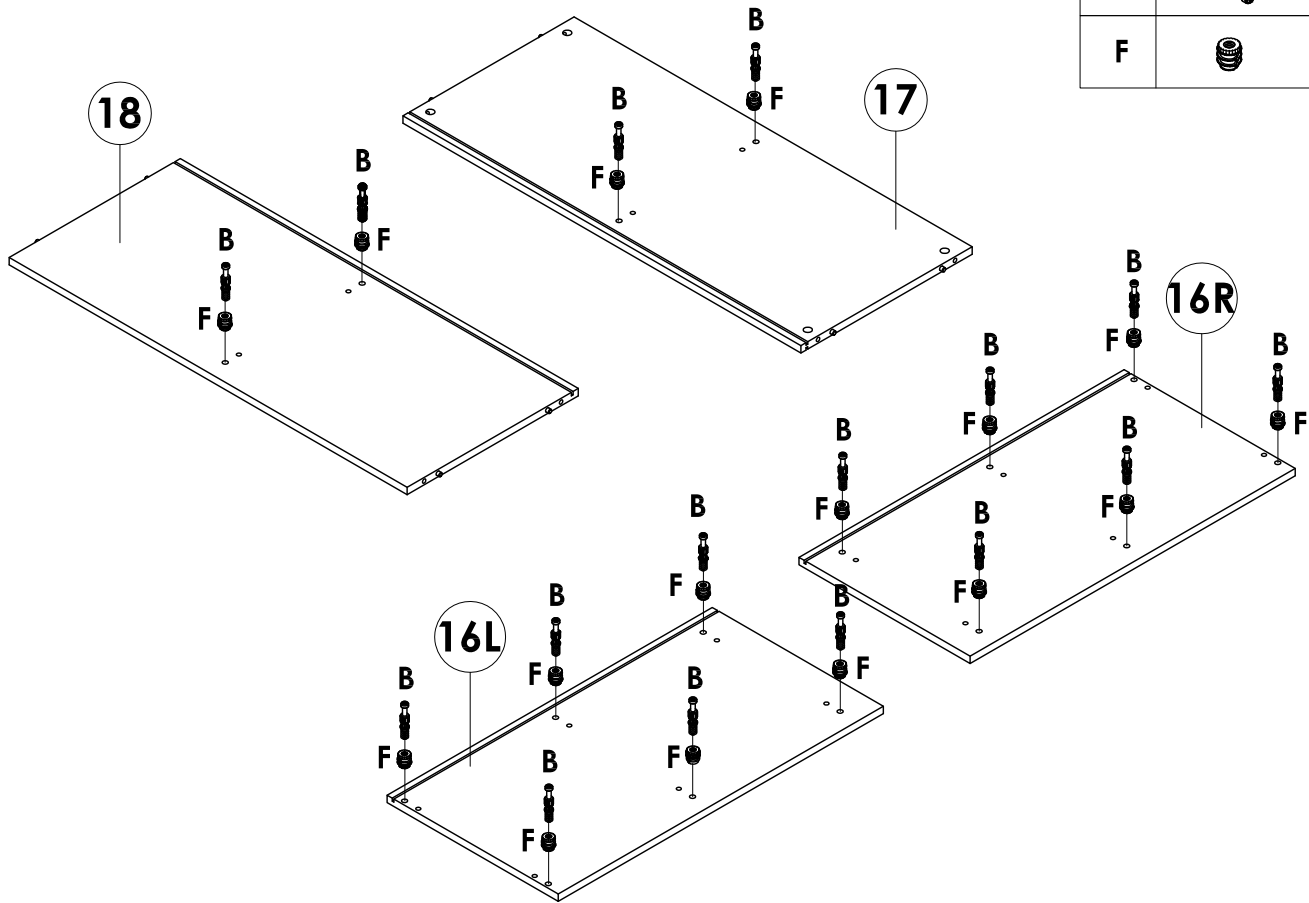


Insert (A) into Ø8MM holes on **Side Panel (Left), Side Panel (Right), Divider, Top Rail (Front) and Top Rail (Rear).**



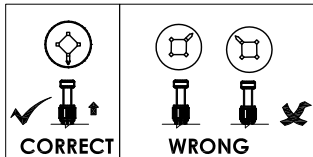
**STEP 2** DO NOT use any power tools as this may damage the bed frame and will invalidate any claim.

B		16
F		16



Insert (F) and (B) into Ø10MM holes on **Top Shelf**, **Bottom Shelf**, **Side Panel (Left)** and **Side Panel (Right)**.

**STEP 3**

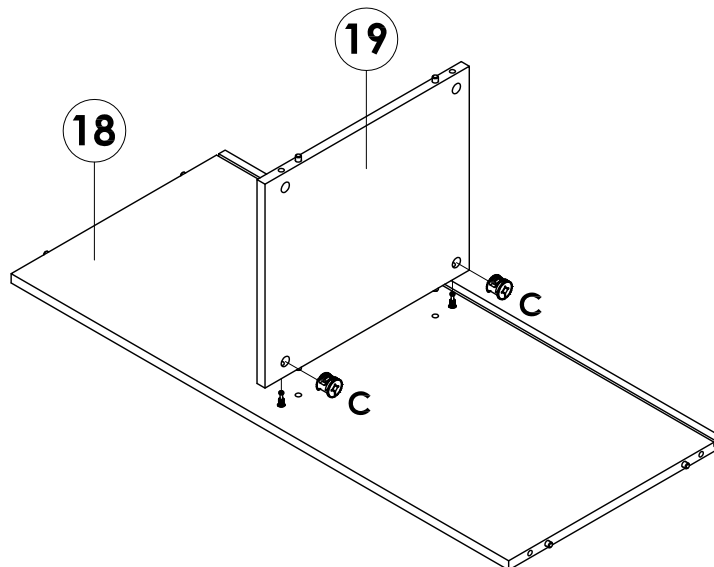


**WHEN FITTING CAMS**

ENSURE STARTING POSITION IS CORRECT BEFORE YOU INSERT CONNECTING BOLT TURN CLOCKWISE UNTIL SECURE.

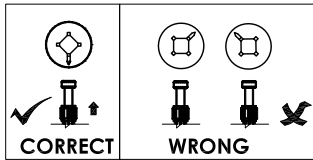
C		2
---	---	---

DO NOT use any power tools as this may damage the bed frame and will invalidate any claim.



Attach and secure **Divider** onto **Bottom Shelf** and insert (C) tighten it up by using a Crosshead Screw Driver.

## STEP 4

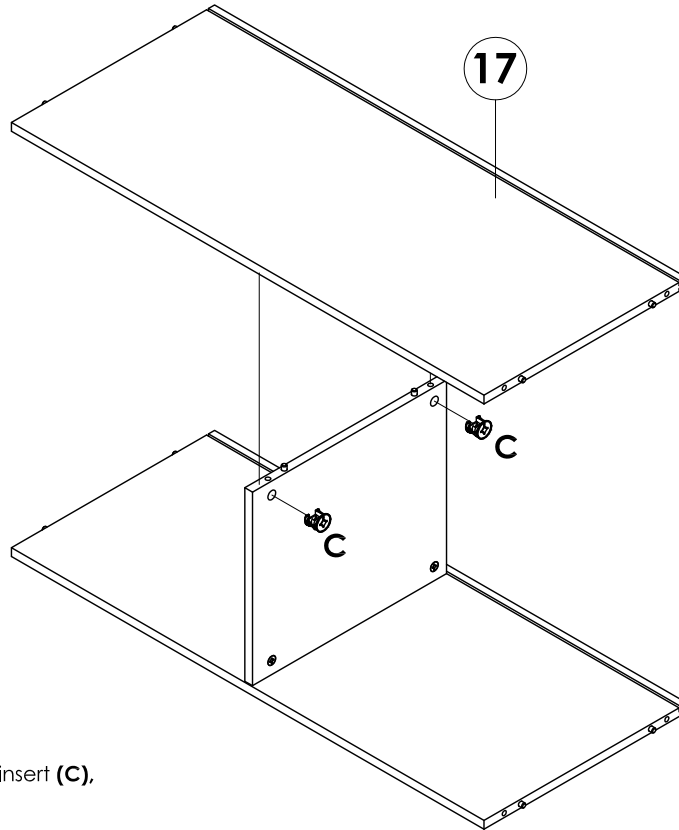


### WHEN FITTING CAMS

ENSURE STARTING POSITION IS CORRECT BEFORE YOU INSERT CONNECTING BOLT TURN CLOCKWISE UNTIL SECURE.

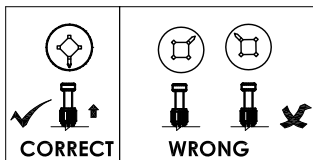
C		2
---	--	---

DO NOT use any power tools as this may damage the bed frame and will invalidate any claim.



Attach and secure **Top Shelf** onto **Divider** and insert (C), tighten it up by using a Crosshead Screw Driver.

## STEP 5

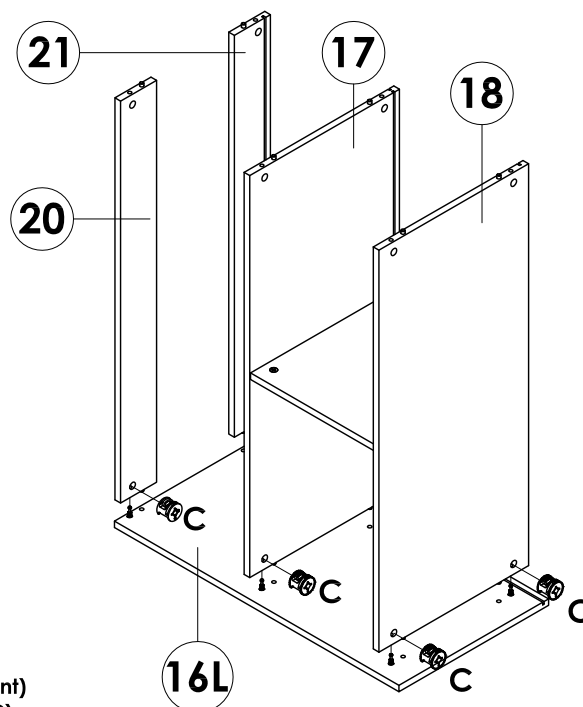


### WHEN FITTING CAMS

ENSURE STARTING POSITION IS CORRECT BEFORE YOU INSERT CONNECTING BOLT TURN CLOCKWISE UNTIL SECURE.

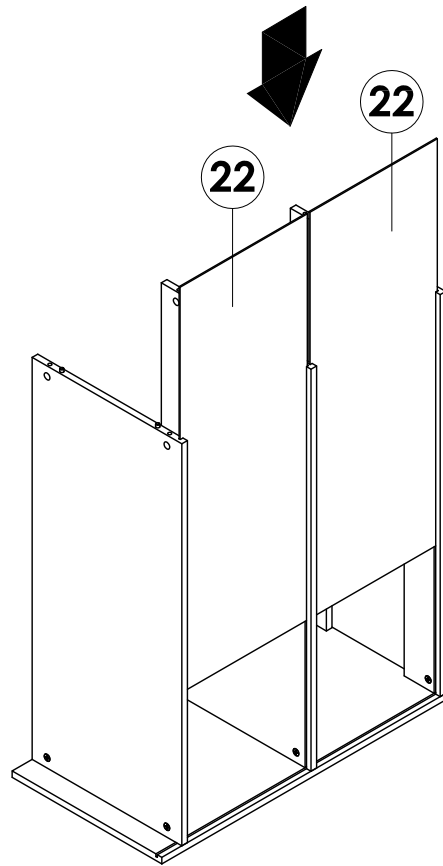
C		6
---	--	---

DO NOT use any power tools as this may damage the bed frame and will invalidate any claim.



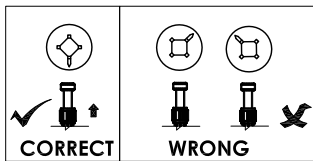
Attach and secure **Top Shelf, Bottom Shelf, Top Rail (Front)** and **Top Rail (Rear)** onto **Side Panel (Left)** and insert (C), tighten it up by using a Crosshead Screw Driver.

## STEP 6



Slot **Back Panel** into **Top Shelf, Bottom Shelf** and **Top Rail (Rear)**.

## STEP 7

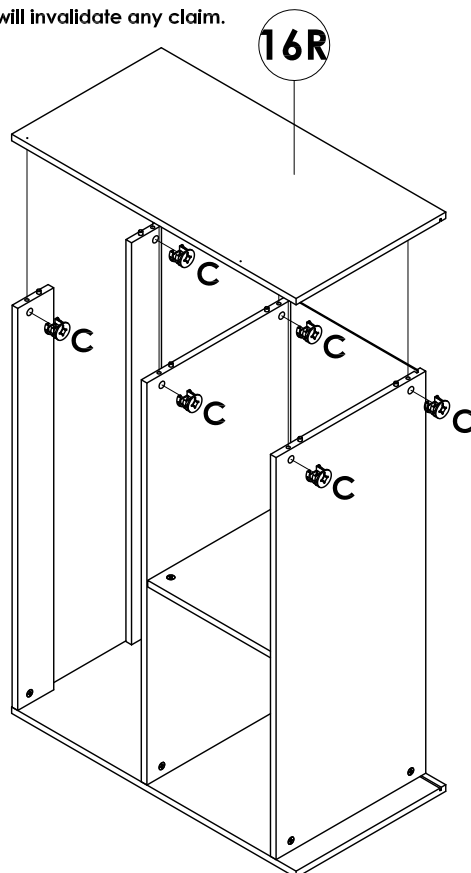


### WHEN FITTING CAMS

ENSURE STARTING POSITION IS CORRECT  
BEFORE YOU INSERT CONNECTING BOLT  
TURN CLOCKWISE UNTIL SECURE.



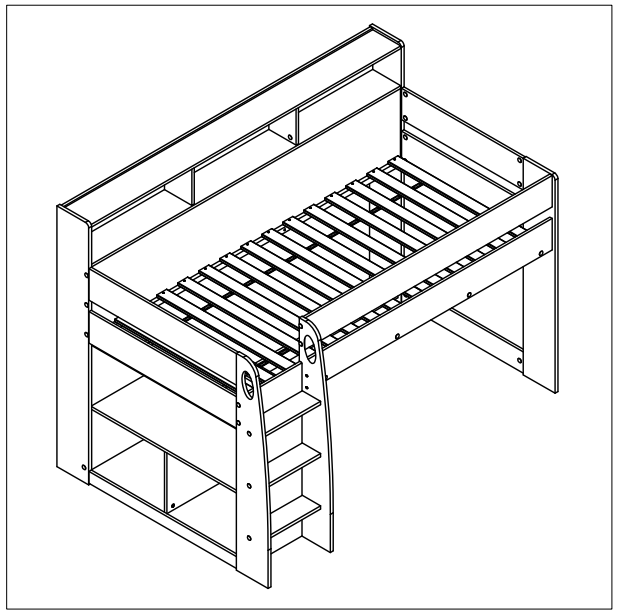
DO NOT use any power tools as this may damage the bed frame and will invalidate any claim.



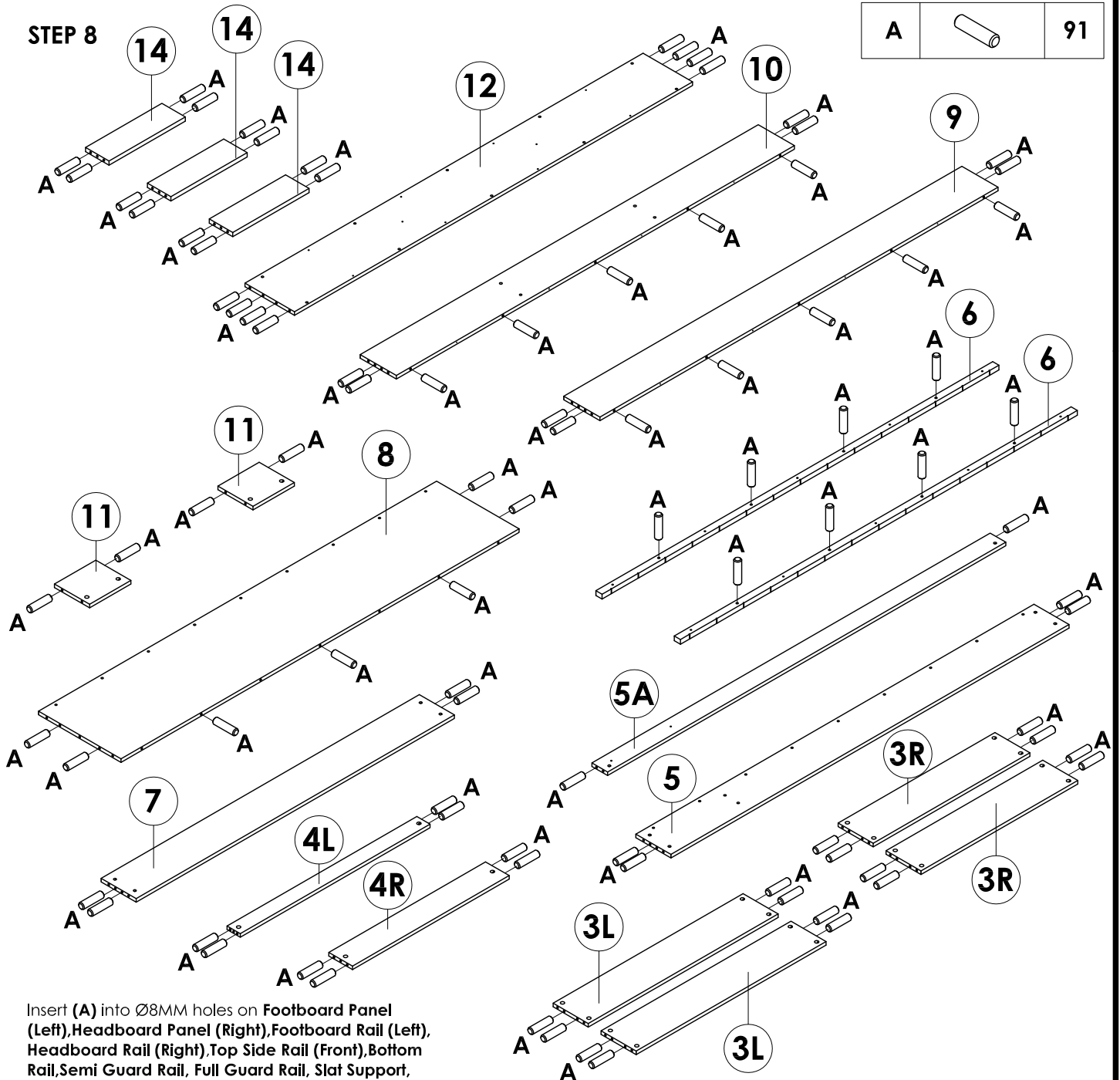
Attach and secure **Side Panel (Right)** onto  
**Top Shelf, Bottom Shelf, Top Rail (Front)** and  
**Top Rail (Rear)** and insert **(C)**, tighten  
it up by using a Crosshead Screw Driver.

**Hardware (Bed)**

- (A)**  
PLASTIC DOWEL (M8 x 30MM)  
91 PCS
- (B)**  
JCBC BOLT (M6 x 60MM)  
24 PCS
- (C)**  
JRN NUT (M6 x 13MM)  
24 PCS
- (D)**  
JCBC W SCREW (M7 x 32MM)  
10 PCS
- (E)**  
CONNECTING BOLT (24MM)  
36 PCS
- (F)**  
MINIFIX (12MM)  
36 PCS
- (G)**  
CSK C/B SCREW (M4 x 32MM)  
30 PCS
- (H)**  
P/H RATTAN SCREW (#8 x 32MM)  
10 PCS
- (J)**  
EURO NYLON  
36 PCS
- (K)**  
ROUND STICKER (Ø3.5 x 21MM)  
51 PCS
- (L)**  
ALLEN KEY (M4 x 60MM)  
1 PC





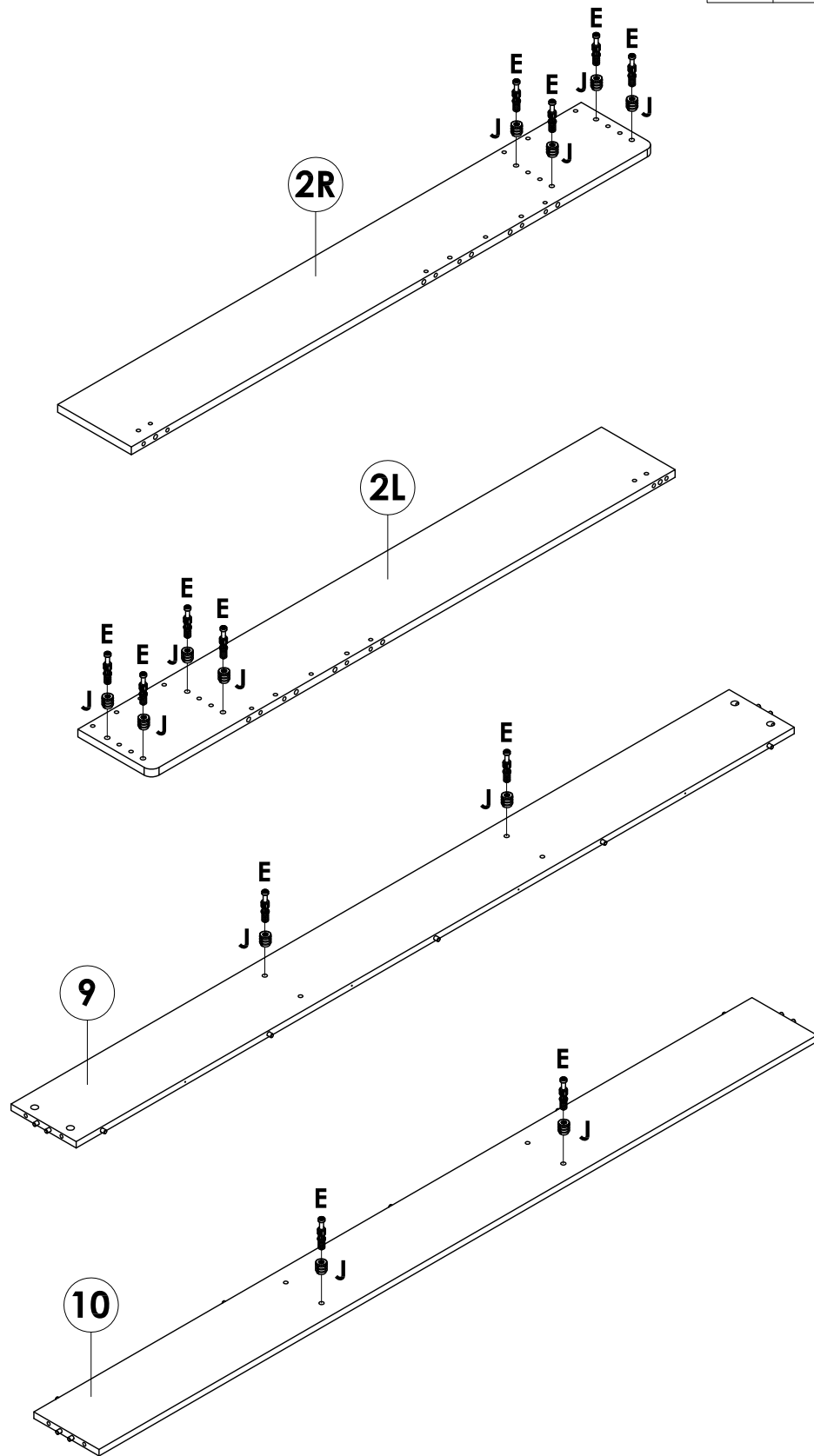
**STEP 8**



Insert (A) into Ø8MM holes on **Footboard Panel (Left), Headboard Panel (Right), Footboard Rail (Left), Headboard Rail (Right), Top Side Rail (Front), Bottom Rail, Semi Guard Rail, Full Guard Rail, Slat Support, Top Shelf, Bottom Shelf, Divider, Back Panel and Ladder Slat.**




**STEP 9** DO NOT use any power tools as this may damage the bed frame and will invalidate any claim.

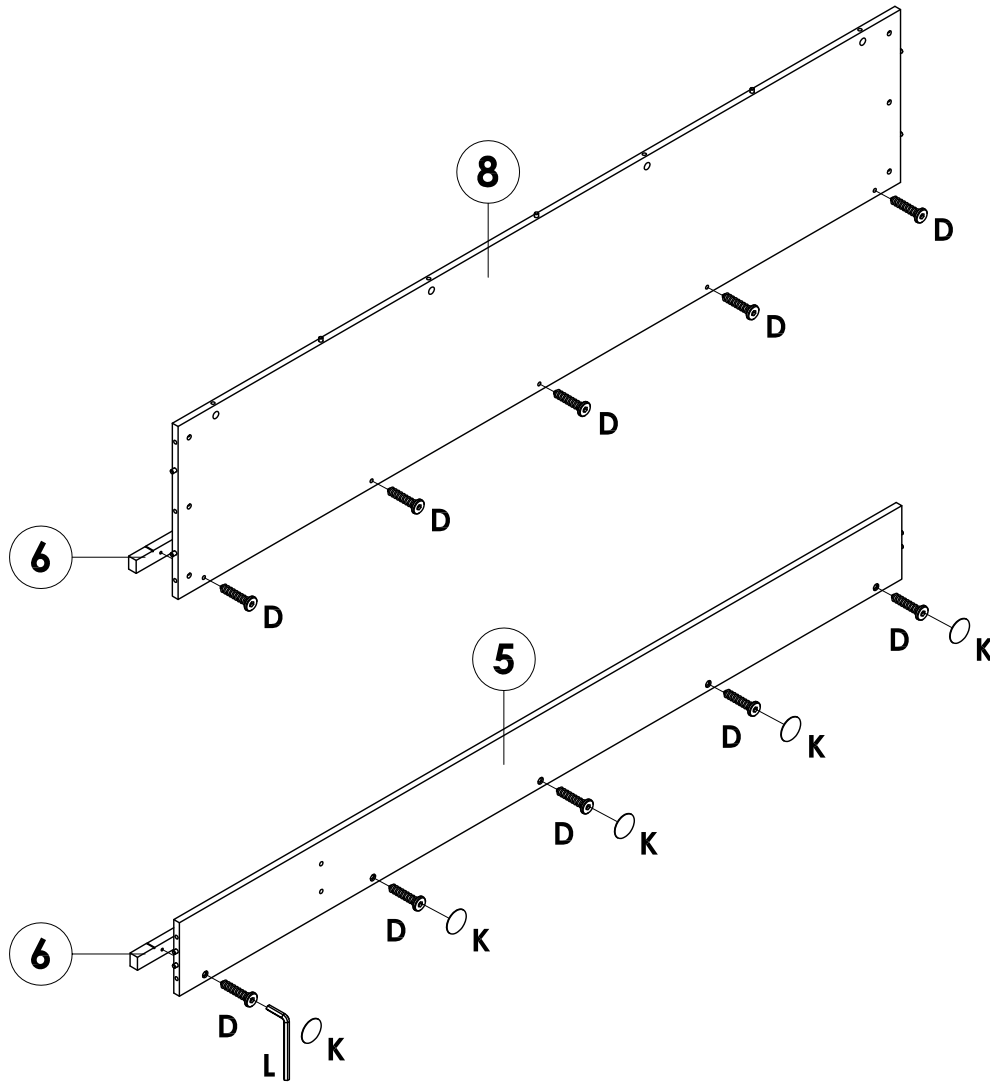
E		12
J		12



Insert (J) and (E) into  $\varnothing 10\text{MM}$  holes on **Footboard Post (Left), Headboard Post (Right), Top Shelf and Bottom Shelf**, tighten it up by using a Crosshead Screw Driver.

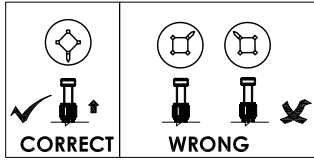
**STEP 10** DO NOT use any power tools as this may damage the bed frame and will invalidate any claim.

D		10
K		5
L		1



Attach and secure **Slat Support** onto **Top Side Rail (Front)** and **Full Guard Rail**, by using **(D)**, tighten it up by using **(L)**. Follow it up by attaching **(K)** into screw holes.

### STEP 11

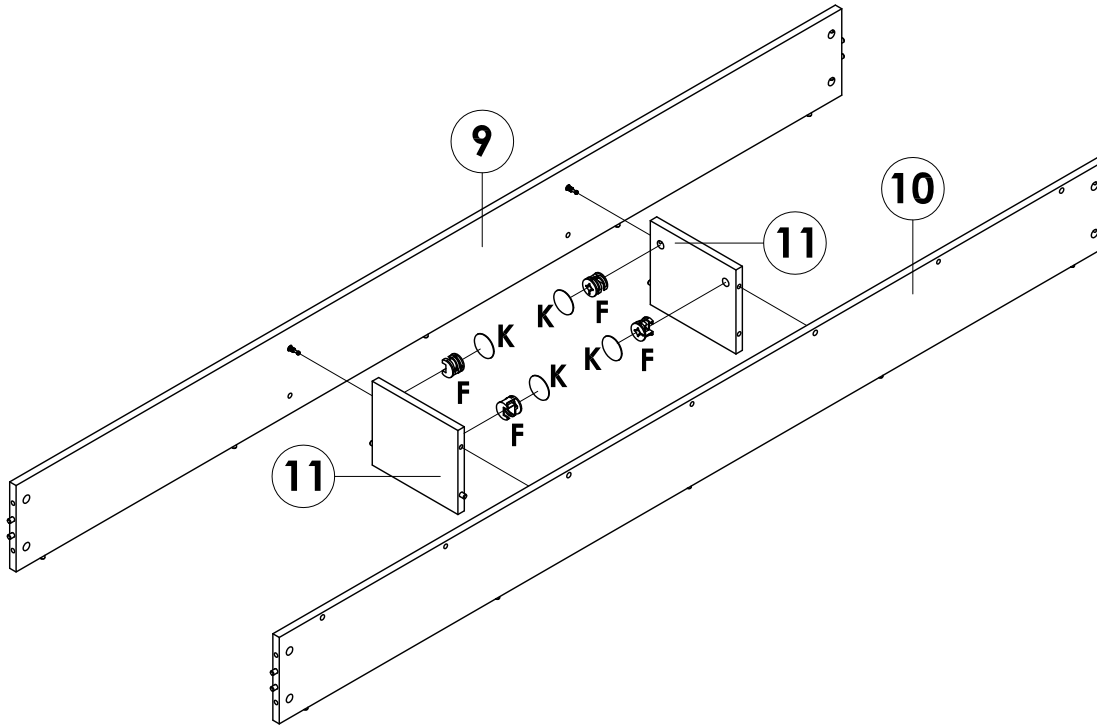


#### WHEN FITTING CAMS

ENSURE STARTING POSITION IS CORRECT BEFORE YOU INSERT CONNECTING BOLT TURN CLOCKWISE UNTIL SECURE.

F		4
K		4

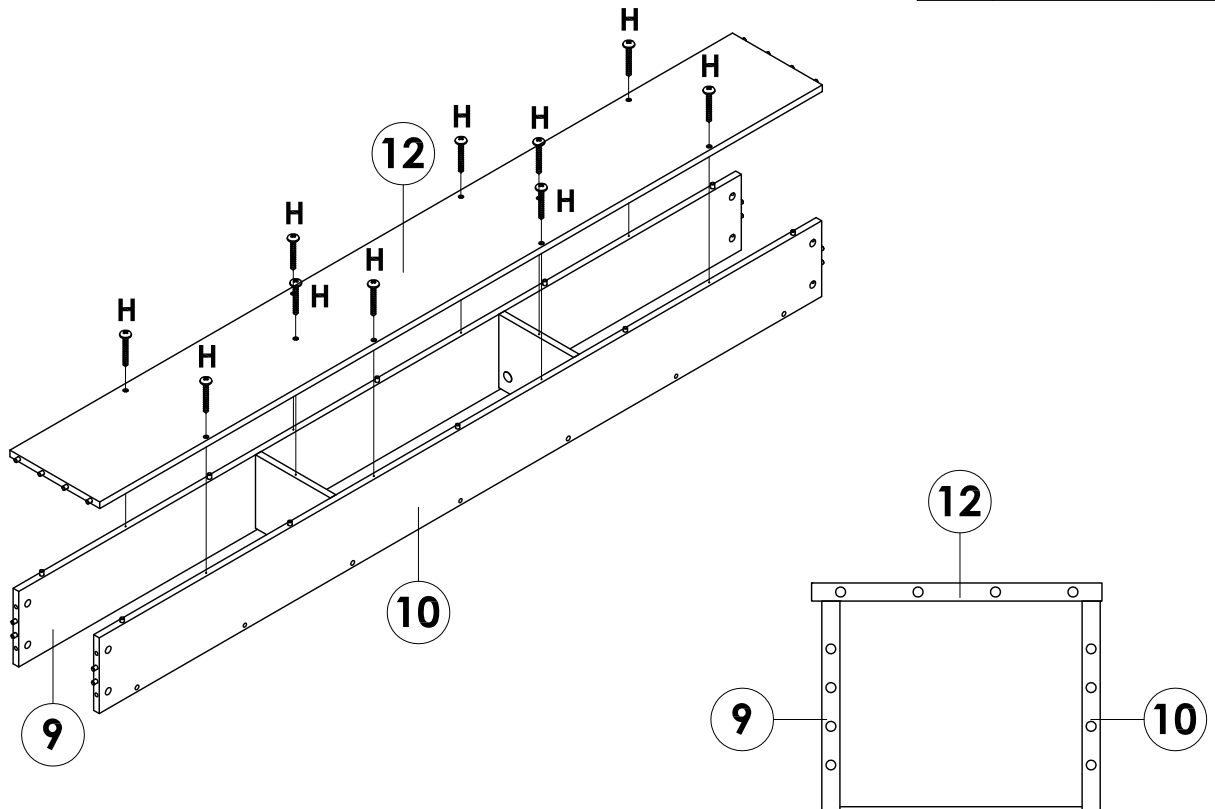
DO NOT use any power tools as this may damage the bed frame and will invalidate any claim.



Attach and secure **Divider** onto **Top Shelf** and **Bottom Shelf** and insert (F) tighten it up by using a Crosshead Screw Driver. Follow it up by attaching (K) into screw holes.



### STEP 12 DO NOT use any power tools as this may damage the bed frame and will invalidate any claim.

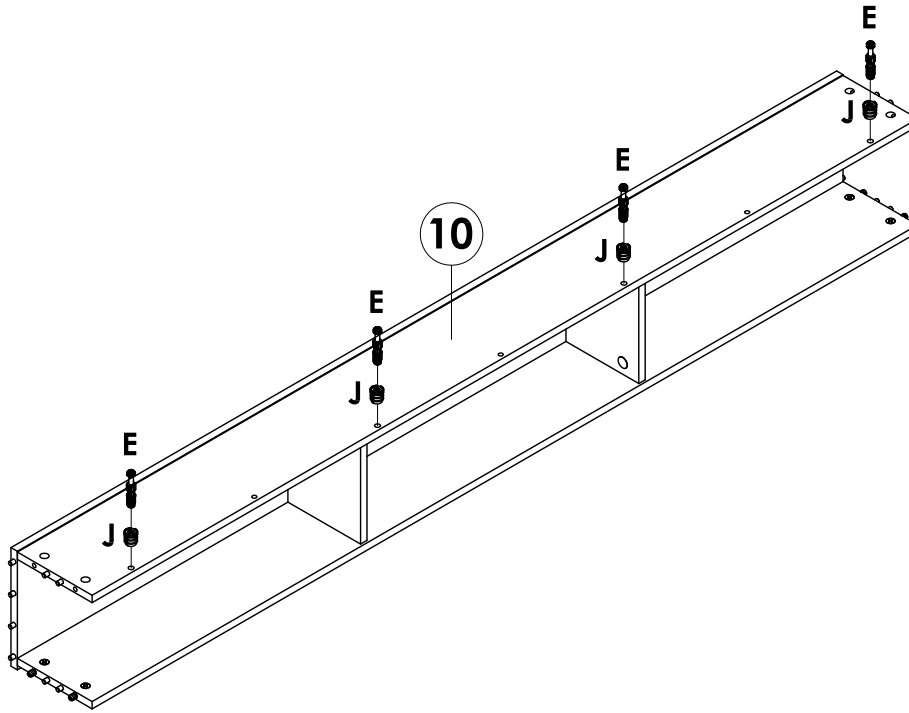
H		10
---	--	----



Attach and secure **Back Panel** onto **Top Shelf**, **Bottom Shelf** and **Divider** by using (H), tighten it up by using Crosshead Screw Driver.

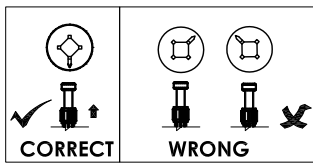
**STEP 13** DO NOT use any power tools as this may damage the bed frame and will invalidate any claim.

E		4
J		4



Insert **(J)** and **(E)** into  $\varnothing 10\text{MM}$  Holes on **Bottom Shelf**, tighten it up by using crosshead screw driver.

**STEP 14**

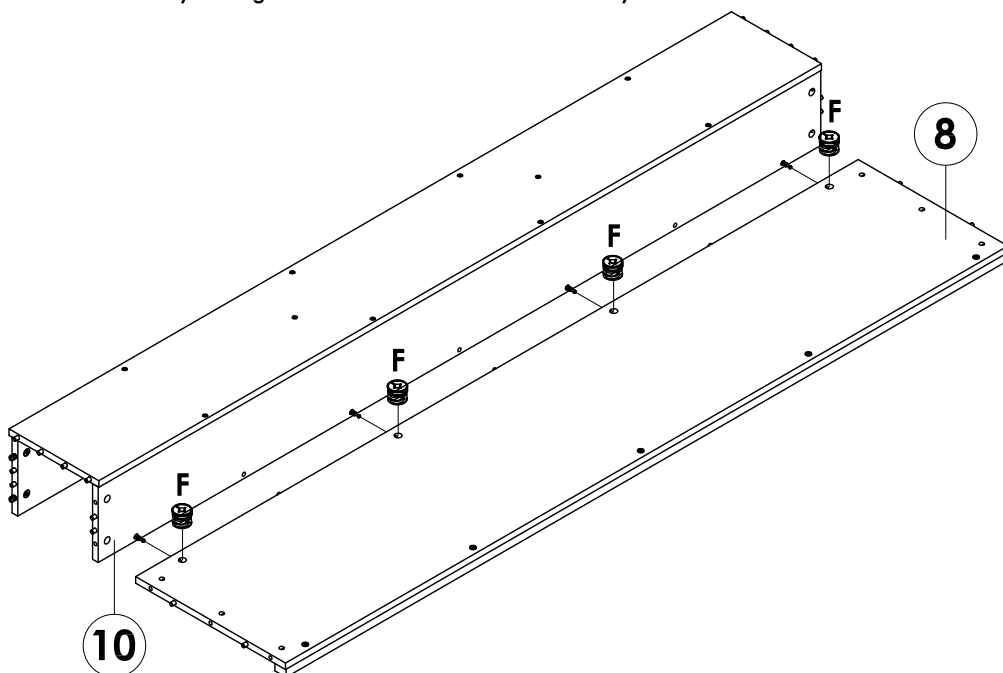


**WHEN FITTING CAMS**

ENSURE STARTING POSITION IS CORRECT BEFORE YOU INSERT CONNECTING BOLT TURN CLOCKWISE UNTIL SECURE.

F		4
---	---	---

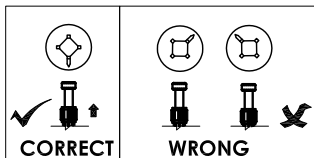
DO NOT use any power tools as this may damage the bed frame and will invalidate any claim.



Attach and secure **Full Guard Rail** onto **Bottom Shelf** and insert **(F)**, tighten it up by using a Crosshead Screw Driver.



## STEP 15

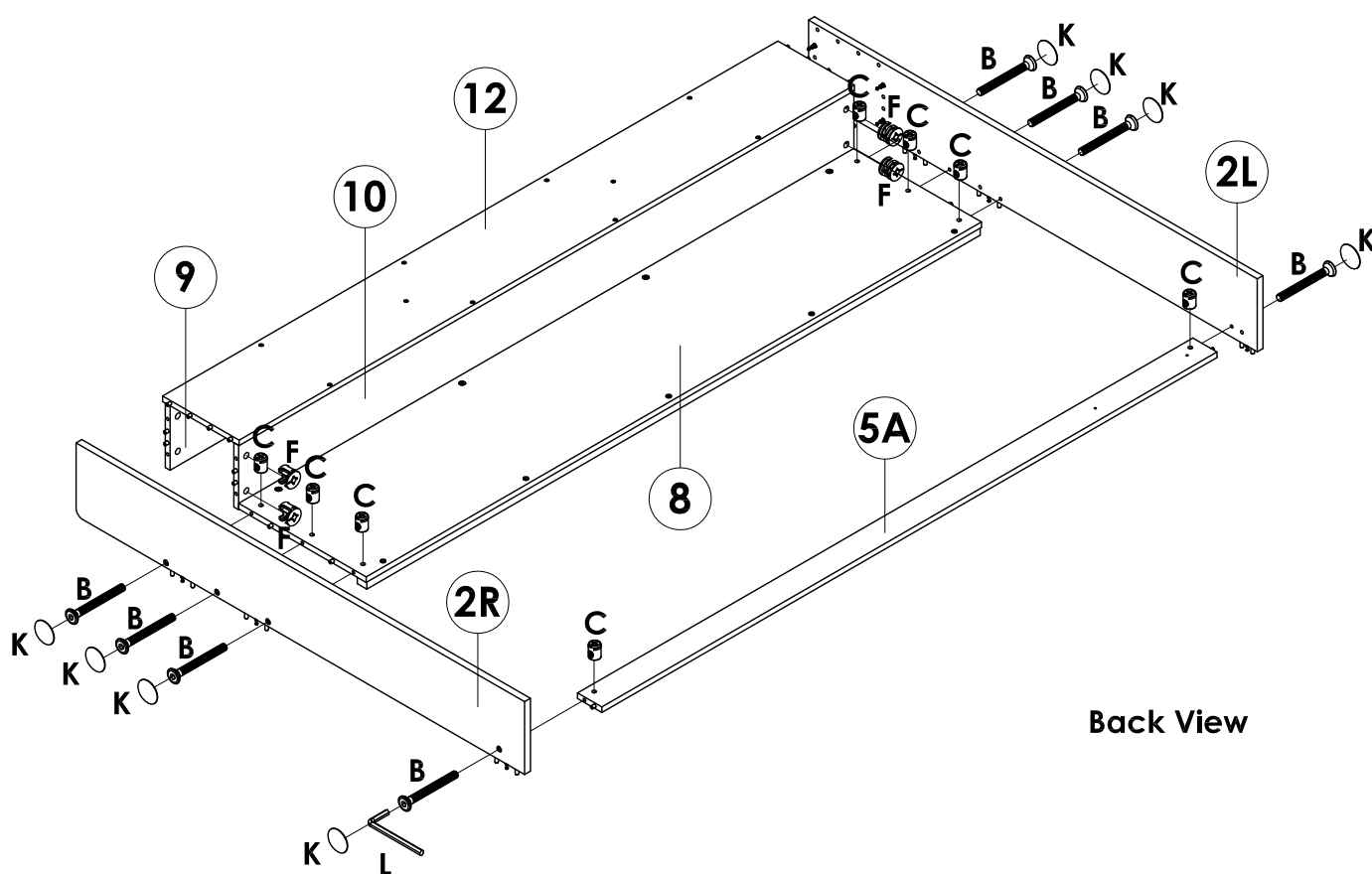


### WHEN FITTING CAMS

ENSURE STARTING POSITION IS CORRECT  
BEFORE YOU INSERT CONNECTING BOLT  
TURN CLOCKWISE UNTIL SECURE.

DO NOT use any power tools as this may damage the bed frame and will invalidate any claim.

B		8
C		8
F		4
K		8
L		1

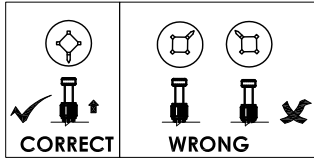


Back View

Attach and secure **Bottom Rail, Full Guard Rail, Top Shelf, Bottom Shelf** and **Back Panel** onto **Headboard Post (Right)** and **Footboard Post (Left)** by using **(B)** and **(C)**, tighten it up by using **(L)**. Follow it up by attaching **(K)** into screw holes.

Insert **(F)**, tighten it up by using crosshead screw driver.

# STEP 16

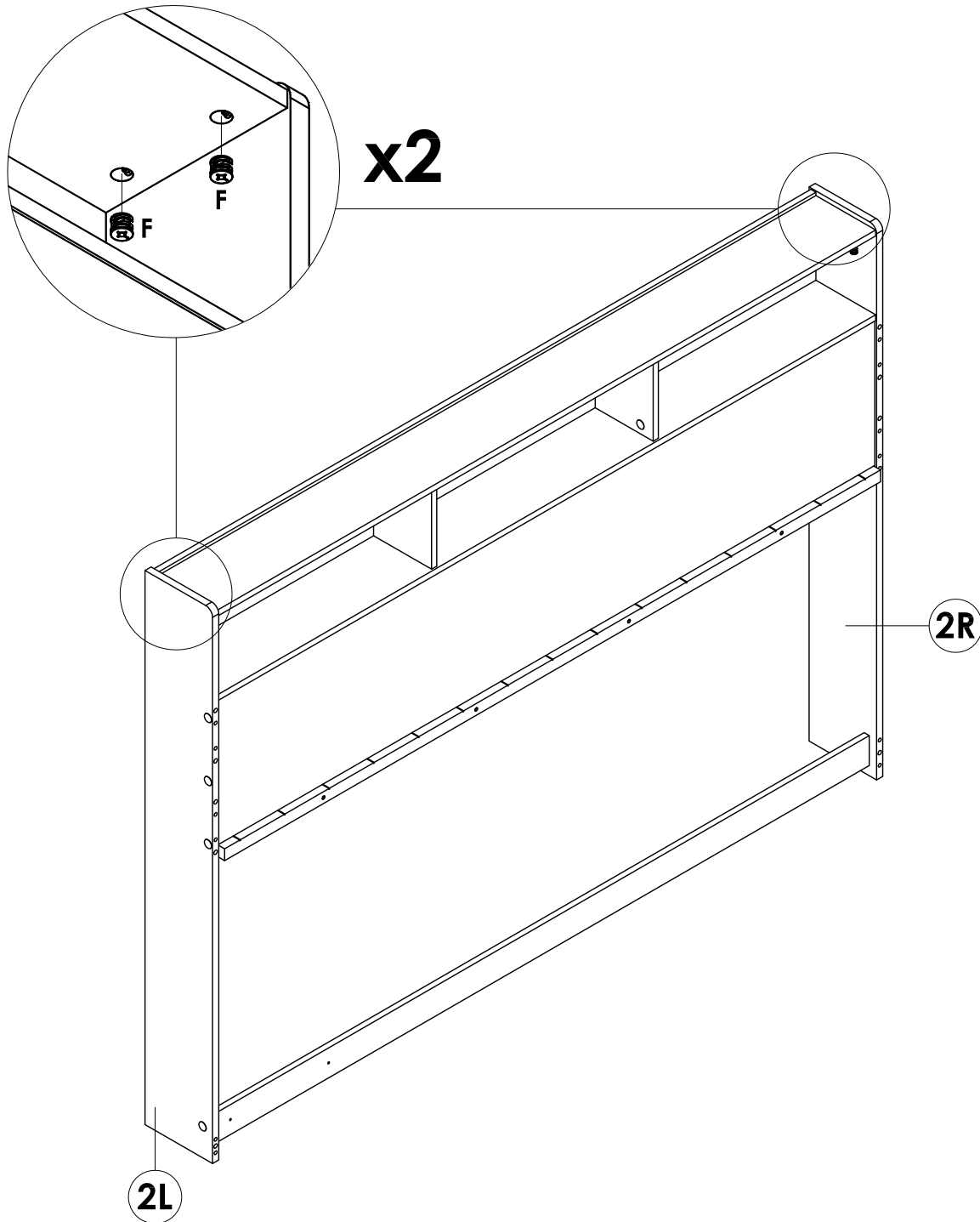


## WHEN FITTING CAMS

ENSURE STARTING POSITION IS CORRECT BEFORE YOU INSERT CONNECTING BOLT TURN CLOCKWISE UNTIL SECURE.



F		4
---	--	---

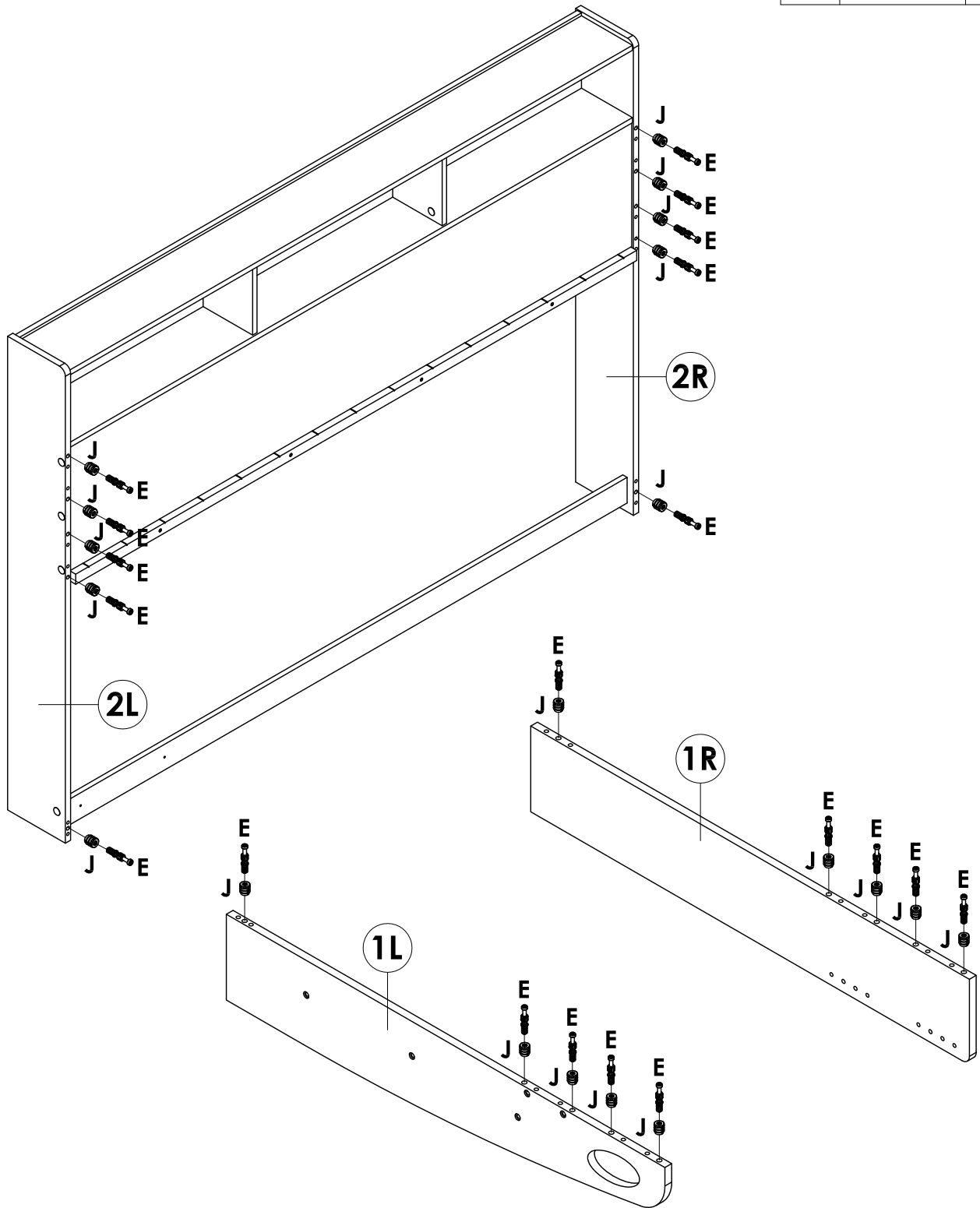
DO NOT use any power tools as this may damage the bed frame and will invalidate any claim.



Insert (F) onto **Top Shelf**, tighten it up by using crosshead screw driver.

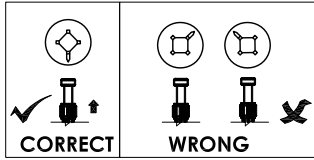
**STEP 17** DO NOT use any power tools as this may damage the bed frame and will invalidate any claim.

E		20
J		20



Insert (J) and (E) into  $\varnothing 10\text{MM}$  holes on  
**Footboard Post (Left), Headboard Post (Right),**  
 tighten it up by using a Crosshead Screw Driver.

# STEP 18

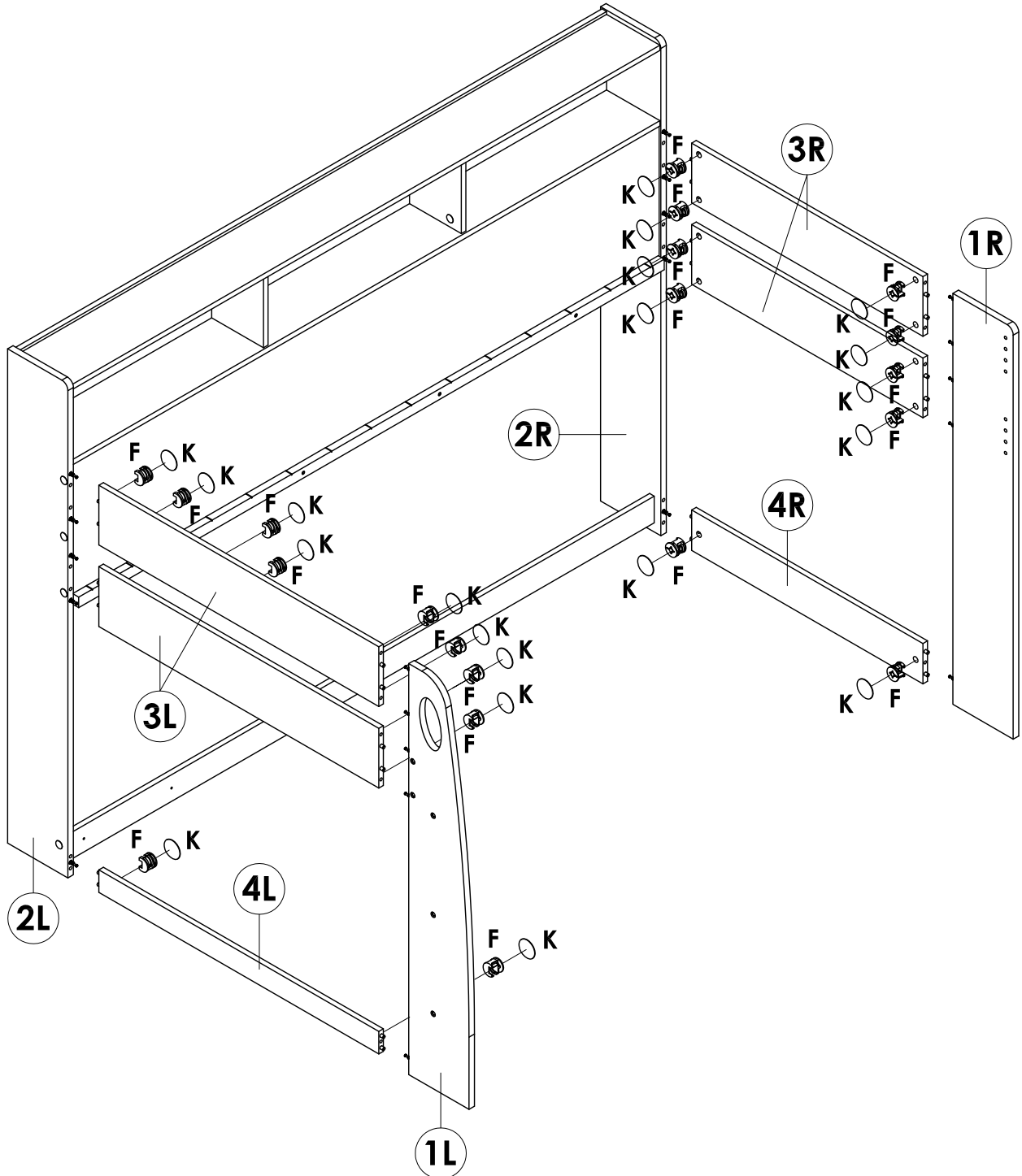


## WHEN FITTING CAMS

ENSURE STARTING POSITION IS CORRECT BEFORE YOU INSERT CONNECTING BOLT TURN CLOCKWISE UNTIL SECURE.

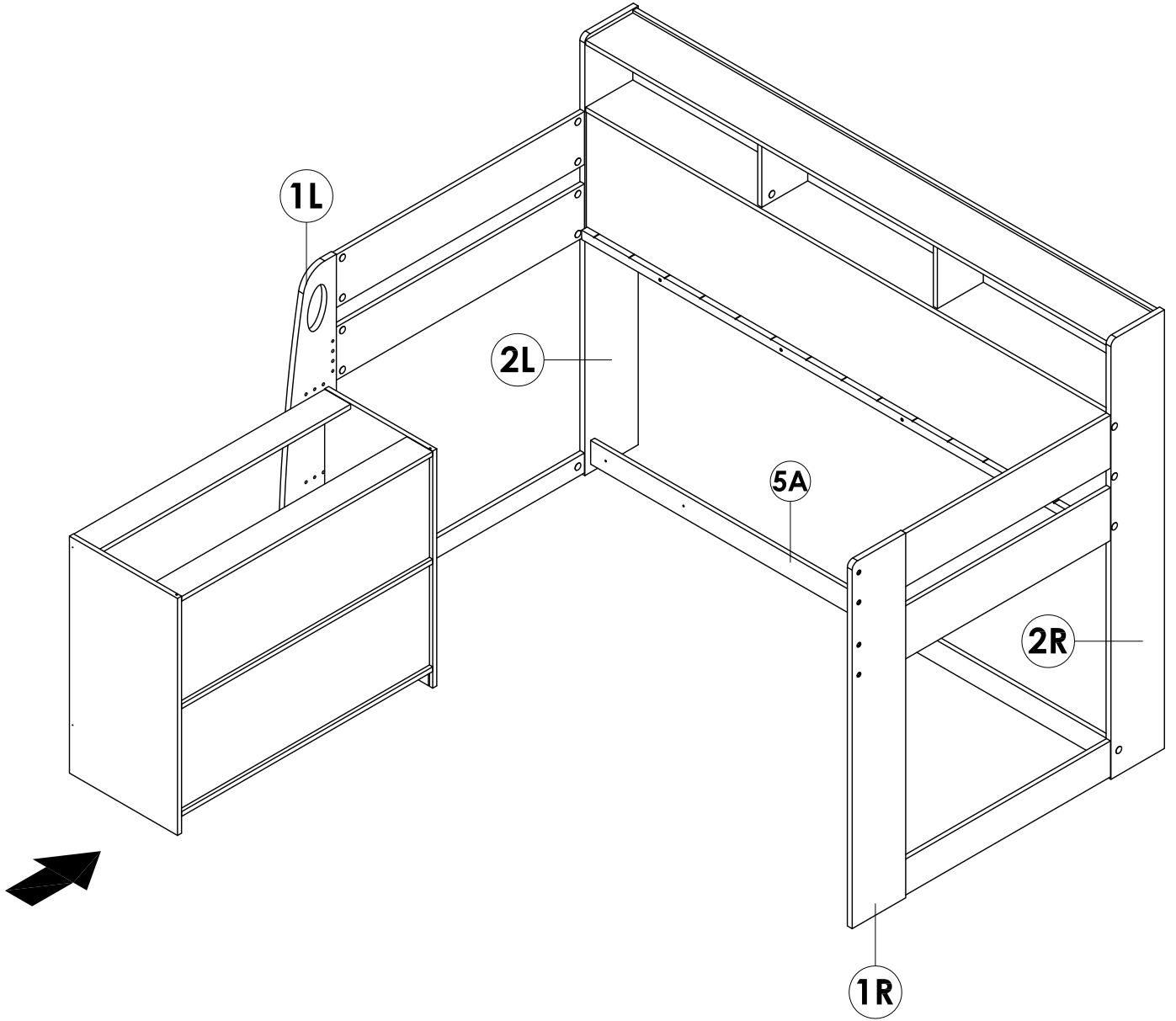
F		20
K		20

DO NOT use any power tools as this may damage the bed frame and will invalidate any claim.






Attach and secure **Footboard Panel (Left)**, **Footboard Rail (Left)**, **Headboard Panel (Right)** and **Headboard Rail (Right)** onto **Footboard Post (Left)**, **Headboard Post (Right)** and insert **(F)**, tighten it up by using a Crosshead Screw Driver. Follow it up by attaching **(K)** into screw holes.

STEP 19

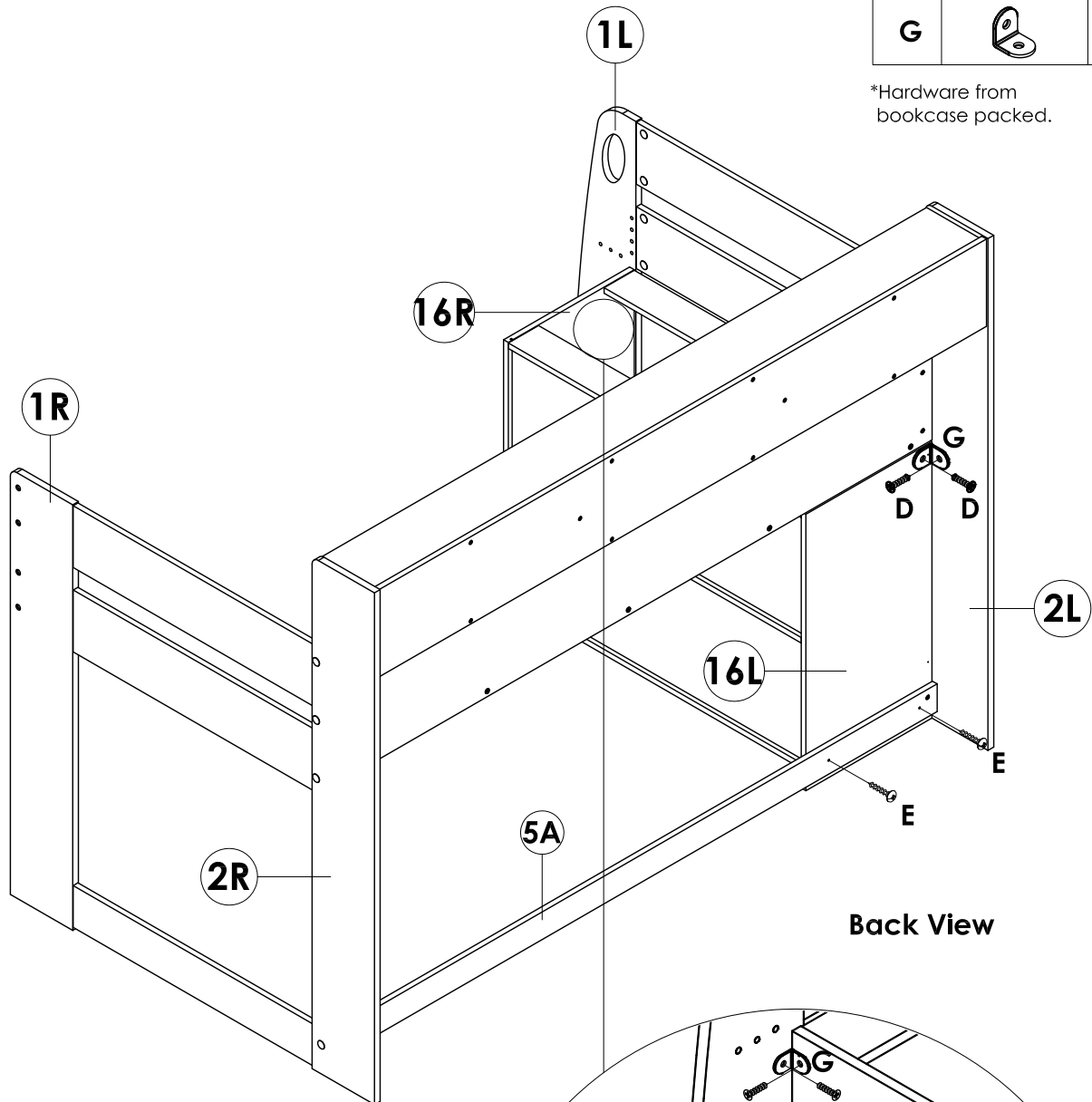


Insert **Bookcase** onto **Bed**.

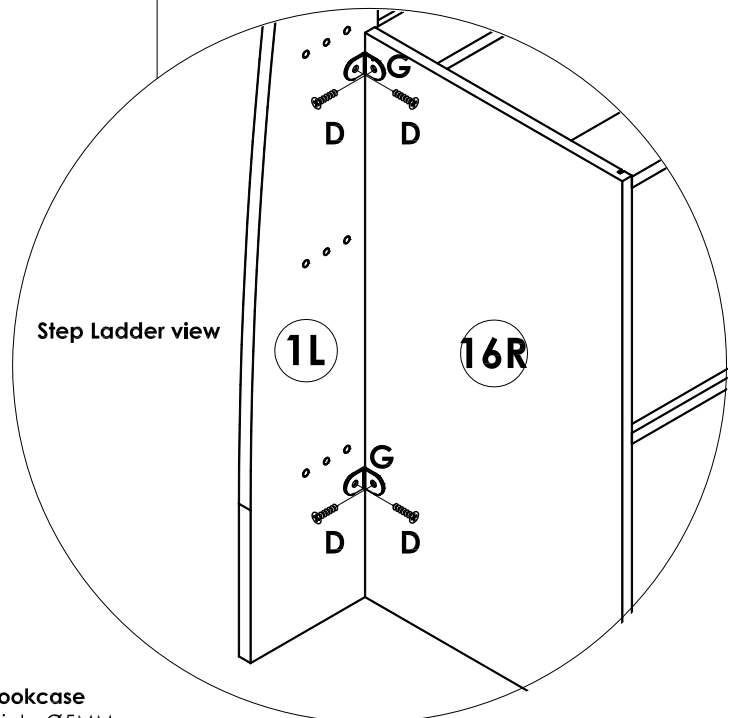
**STEP 20** DO NOT use any power tools as this may damage the bed frame and will invalidate any claim.

D		6
E		2
G		3

\*Hardware from  
bookcase packed.







**Back View**

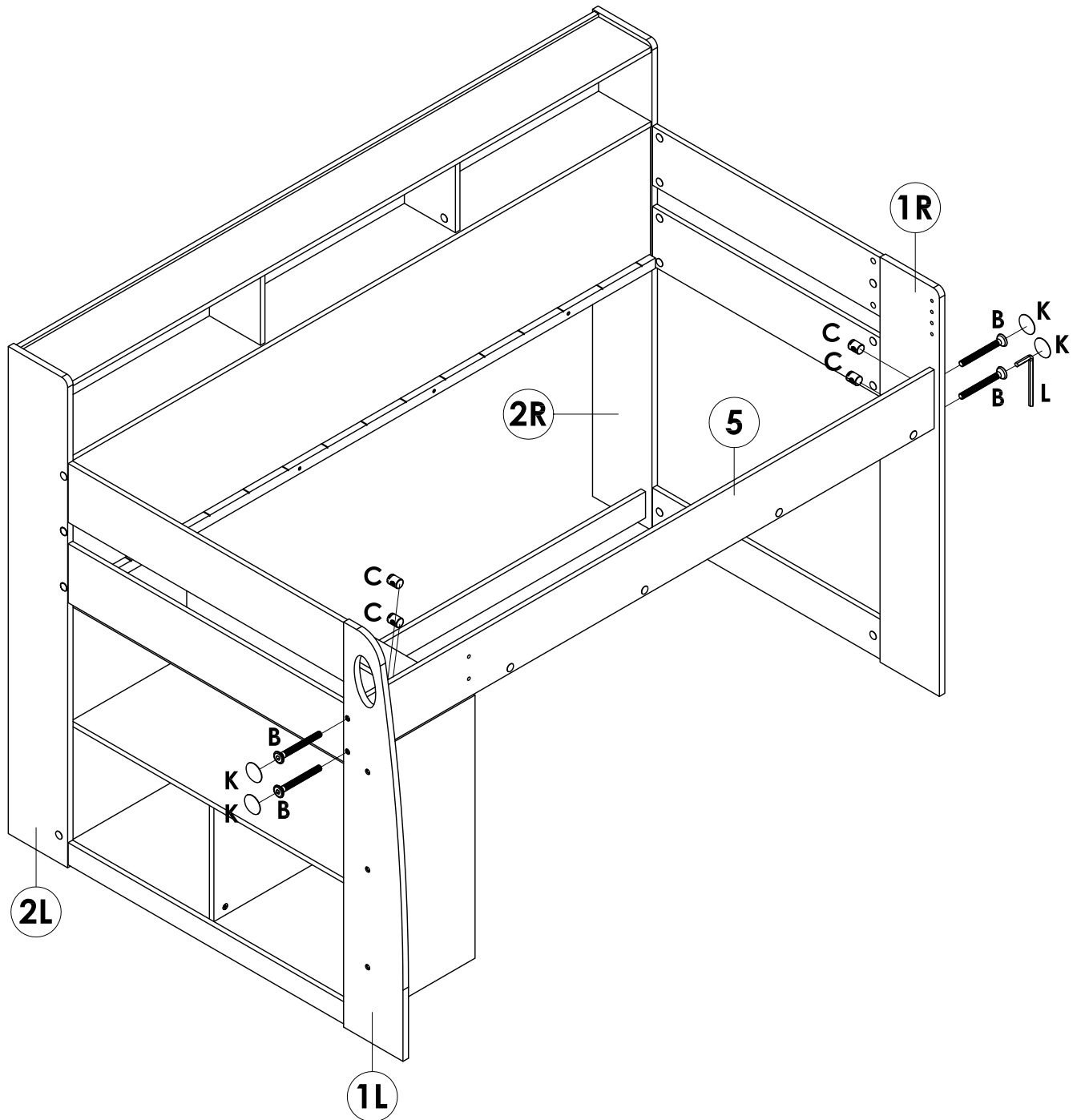


**Step Ladder view**

Attach **(G)** into  $\varnothing 2\text{MM}$  marking holes onto **Side Panel (Left)-Bookcase** and **Side Panel (Right)-Bookcase** by using **(D)** and attach **(E)** into  $\varnothing 5\text{MM}$  marking holes onto **Bottom Rail**, tighten it up by using Crosshead Screw Driver.





**STEP 21** DO NOT use any power tools as this may damage the bed frame and will invalidate any claim.

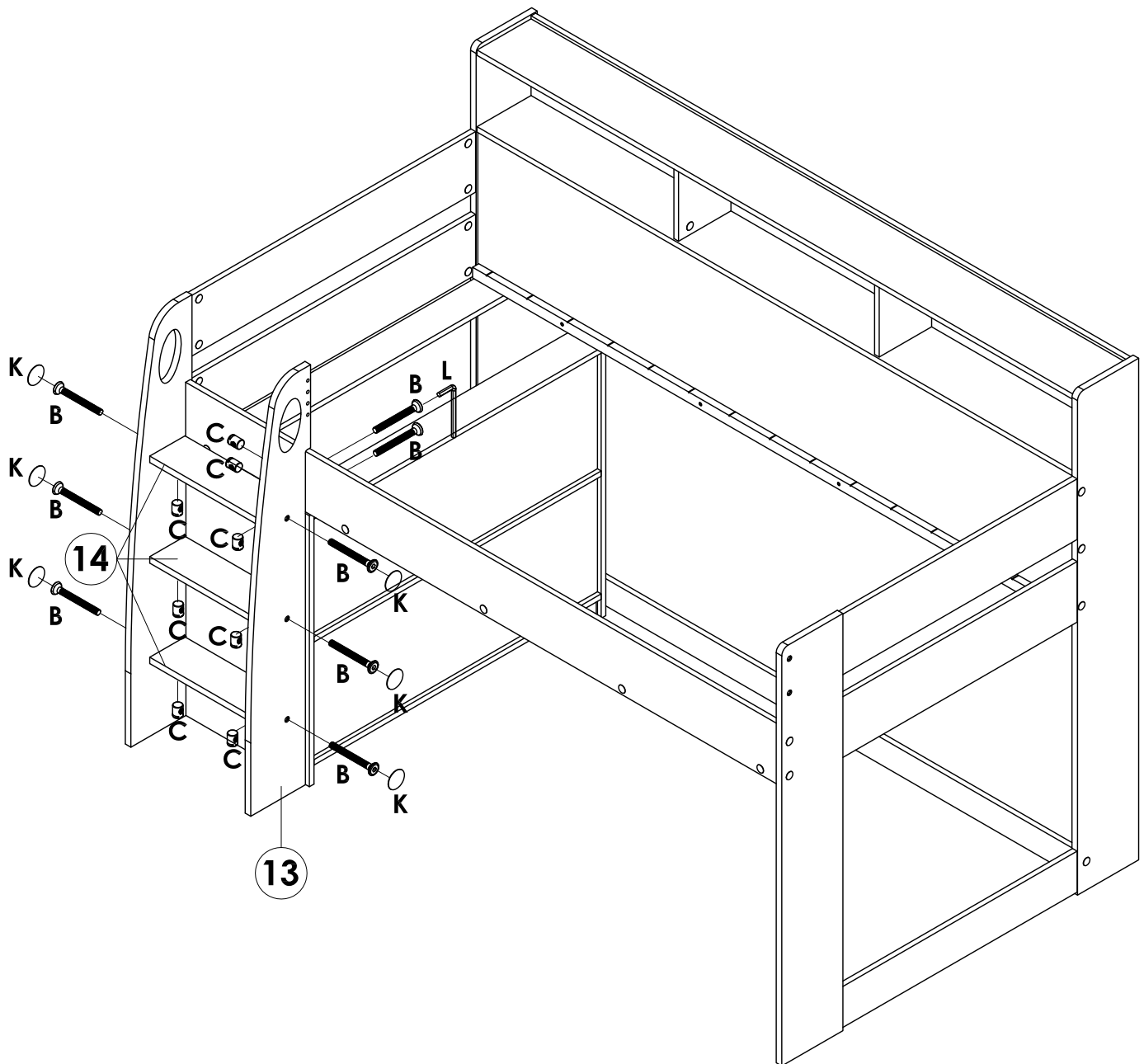
B		4
C		4
K		4
L		1



Attach and secure **Top Side Rail (Front)** onto **Headboard** and **Footboard** by using **(B)** and **(C)**, tighten it up by using **(L)**. Follow it up by attaching **(K)** into screw holes.

**STEP 22** DO NOT use any power tools as this may damage the bed frame and will invalidate any claim.





B		8
C		8
K		6
L		1

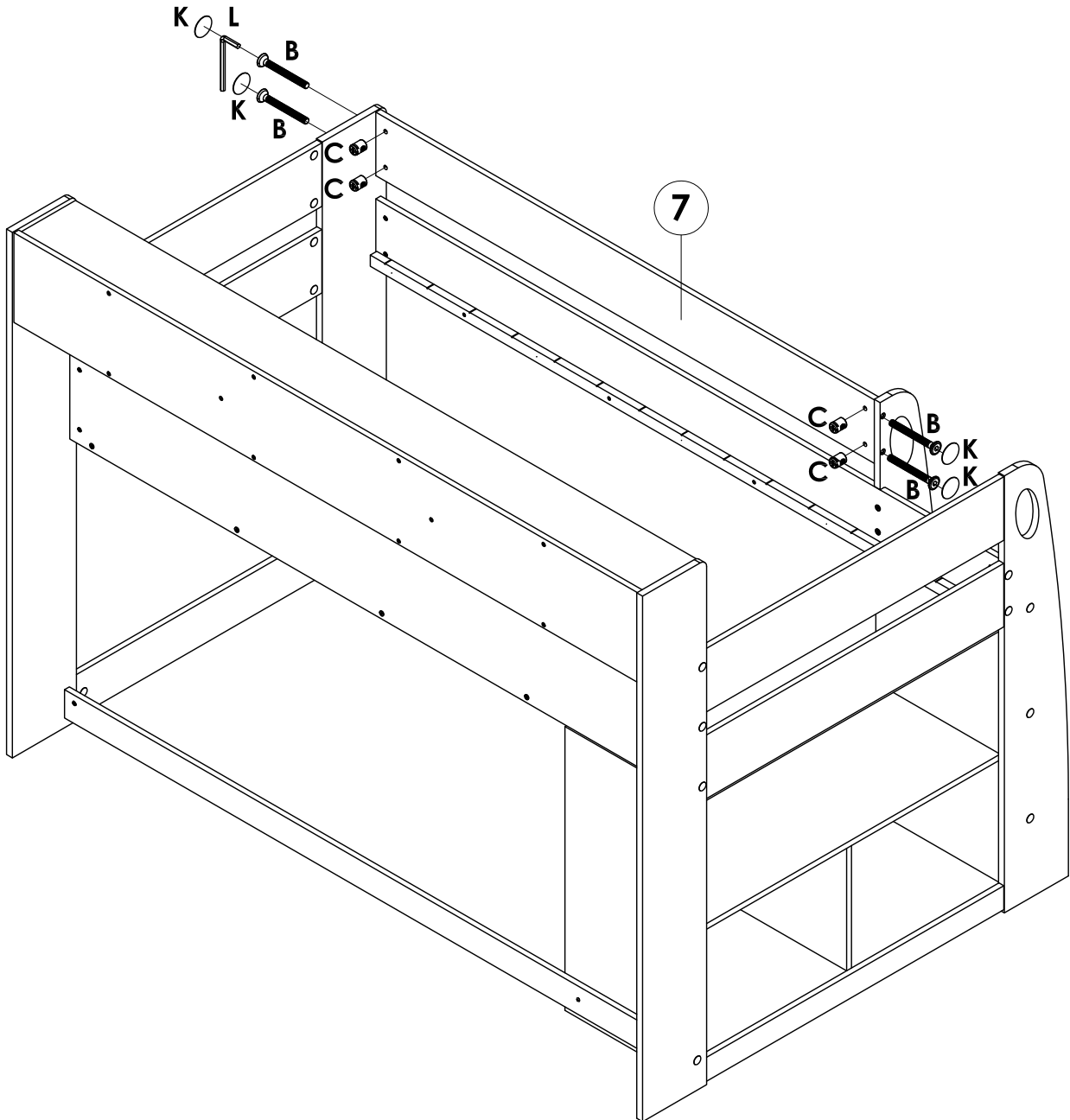


Attach and secure **Ladder Side (Right)** and **Ladder Slat** onto **Top Side Rail (Front)** and **Footboard Post (Left)** by using **(B)** and **(C)**, tighten it up by using **(L)**. Follow it up by attaching **(K)** into screw holes.



**STEP 23** DO NOT use any power tools as this may damage the bed frame and will invalidate any claim.

B		4
C		4
K		4
L		1



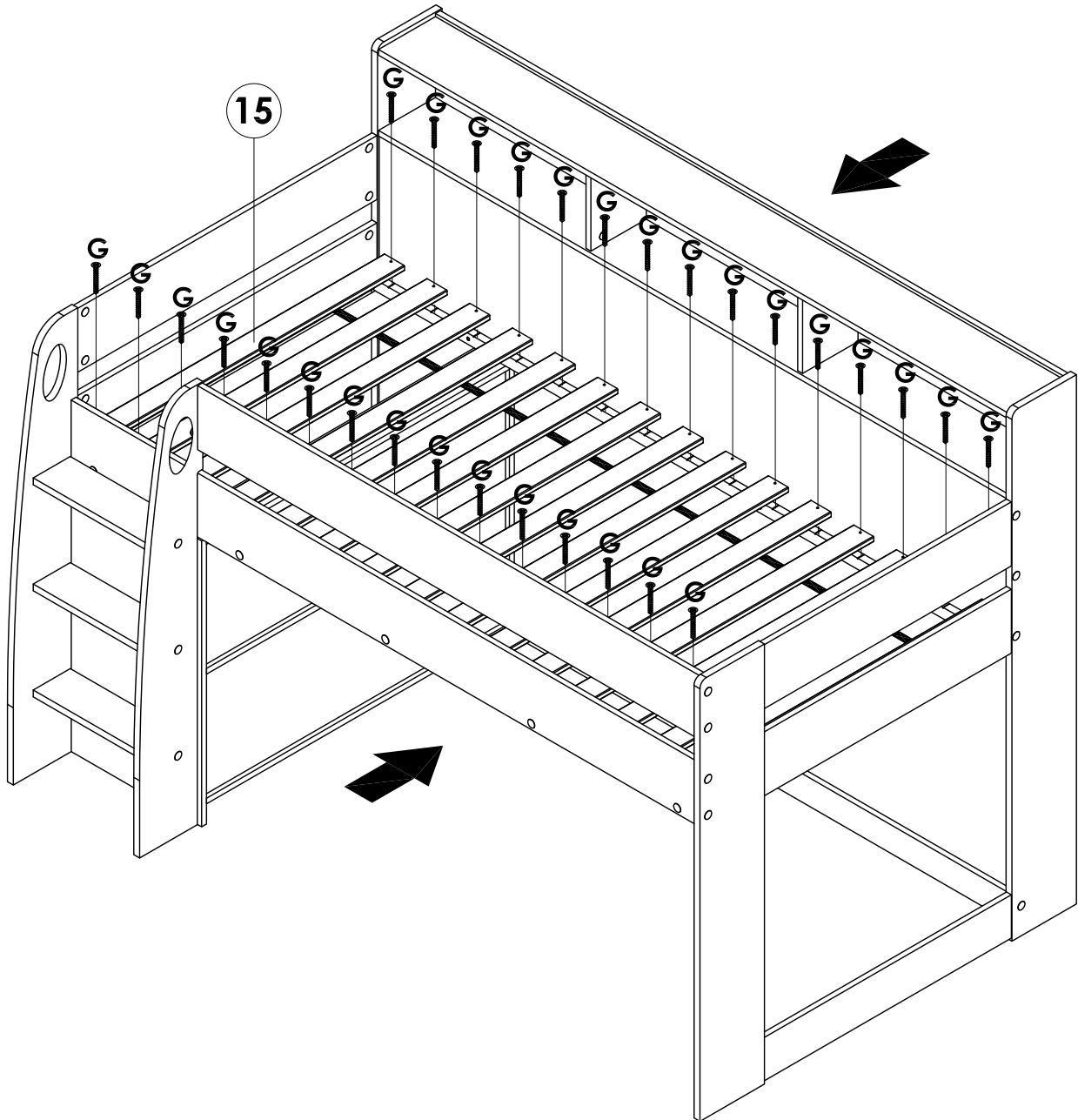
Attach and secure **Semi Guard Rail** onto **Headboard** and **Ladder Side (Right)** by using **(B)** and **(C)** tighten it up by using **(L)**. Follow it up by attaching **(K)** into screw holes.

**STEP 24** DO NOT use any power tools as this may damage the bed frame and will invalidate any claim.

G



30



Attach and secure **Wooden Slat** onto bed **Slat Support** by using **(G)**. tighten it up by using a Crosshead Screw Driver.

*\*Align both **Top Side Rail (Front)** & **Full Guard Rail** before tightening the screws.*

## **General Care**

Wipe clean with a slightly damp soft cloth.

Avoid the use of all household cleaners and abrasive.

When moving your furniture, carefully lift into place. Never drag or push the pieces across the floor as this will cause damage to the joints and could result in failure to the product that will invalidate the warranty.

## **Recommendations**

Periodical re-tightening of fixings.

## **Warning**

This bed frame is heavy. Please use assistance when lifting.

## **Notes**

We've tried to make this bed frame as easy to assemble as possible. In the unlikely event that you have problem putting it together or have damaged or missing pieces, please contact your retailer directly you purchased it from who will be able to resolve any issue.