

# Eli Wooden Mid Sleeper with desk and chest of drawers



## Assembly Instructions

### Important before assembly:

Read these instructions carefully before assembling or using the product.

Please check the contents of the boxes before attempting to assemble this product. The instructions will have a checklist of parts and fittings.

Assemble the product as close to its intended final location/room as possible.

### Health & Safety:

This product or some parts of this product will be heavy. Please use an assistant when lifting.

Please keep small parts out of reach of children.

Always use on a level, even surface.

DO NOT jump on the product or any of its parts.

DO NOT use this product if any parts are missing, damaged or worn.

DO NOT use this product unless all fixings are secured.

**Further instructions are on the following pages.**

Please keep these instructions for future reference.



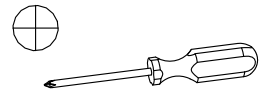
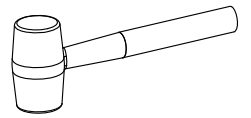
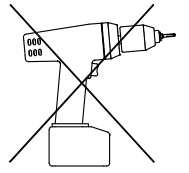
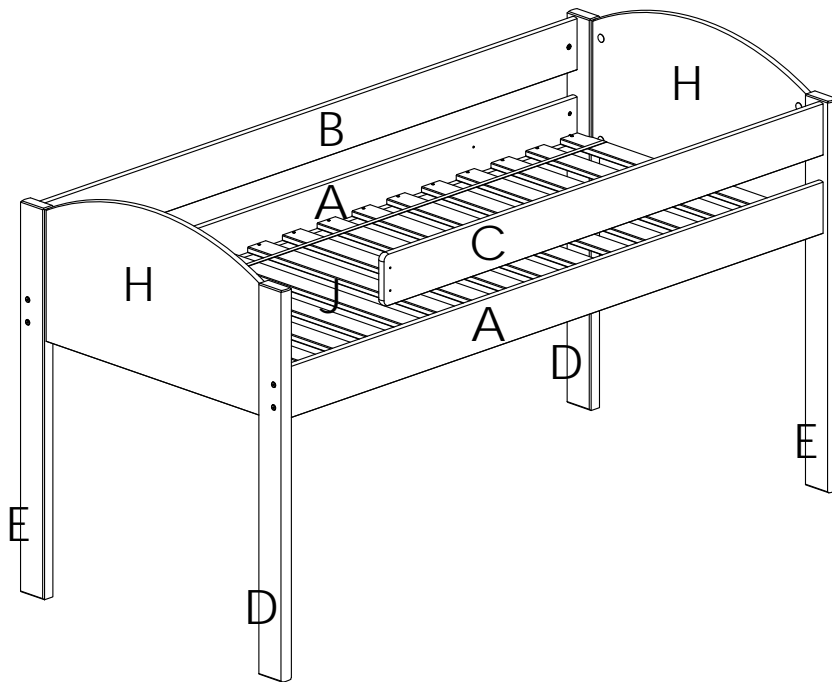
This product or some parts of this product will be heavy. Please use an assistant when lifting.






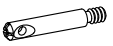


Never drag or push the pieces across a hard or stone floor as this will cause damage to the joints. Use a carpet or a rug for extra care.









If you have problems assembling or have damaged or missing pieces, please contact our customer services (details at the back of these instructions)

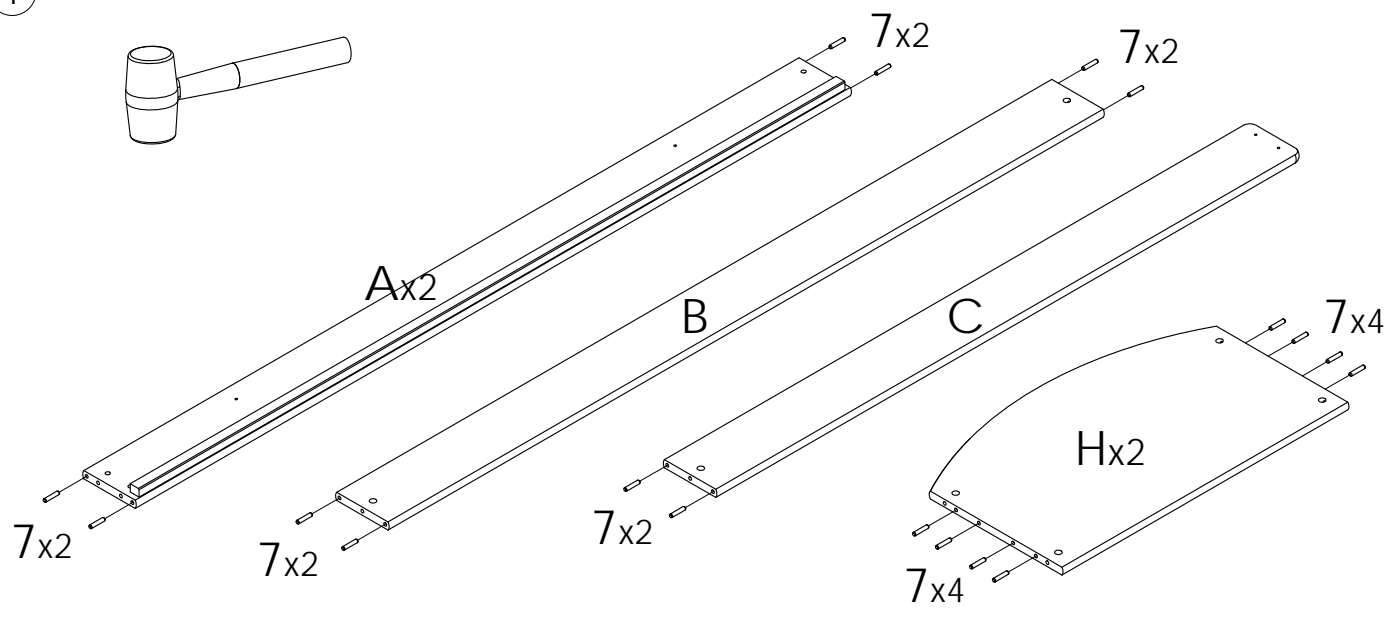


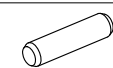
You also need a crosshead screwdriver

1		M6x75	x8
2		M6x10x13	x8
3		M6x8x20	x11
4		7,5x28,5	x11
5		D14x13,5	x11
6		M8x8	x11

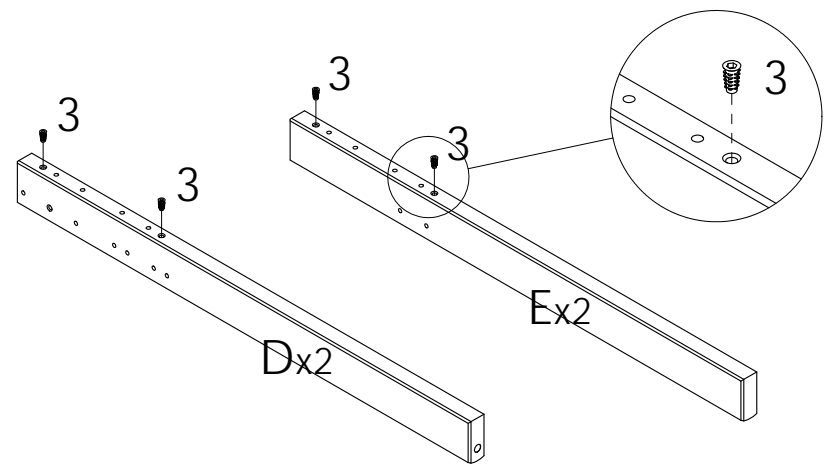
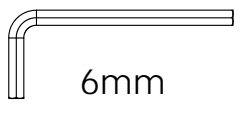
7		8x40	x30
8		D8x13	x3
9		3,5x40	x30
11		D20	x8
12		4mm	x1
13		6mm	x1

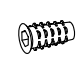
1



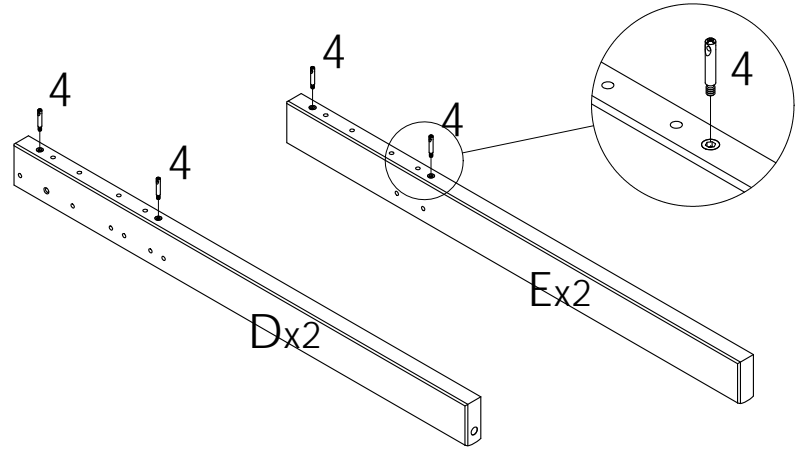
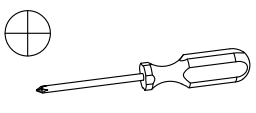
7		8x40	x30
---	---	------	-----

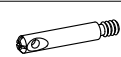
2



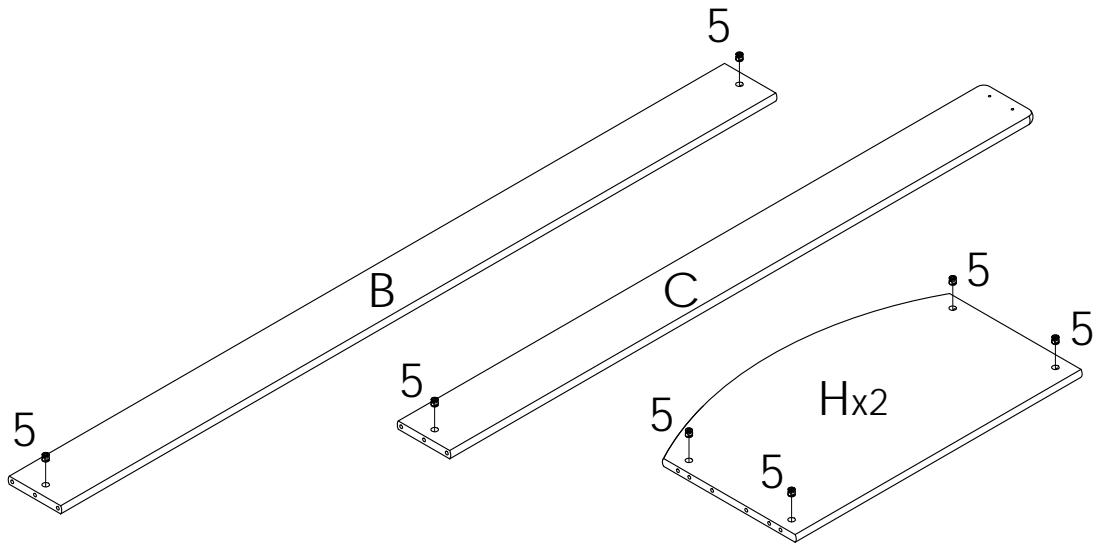
3		M6x8x20	x8
---	---	---------	----

3



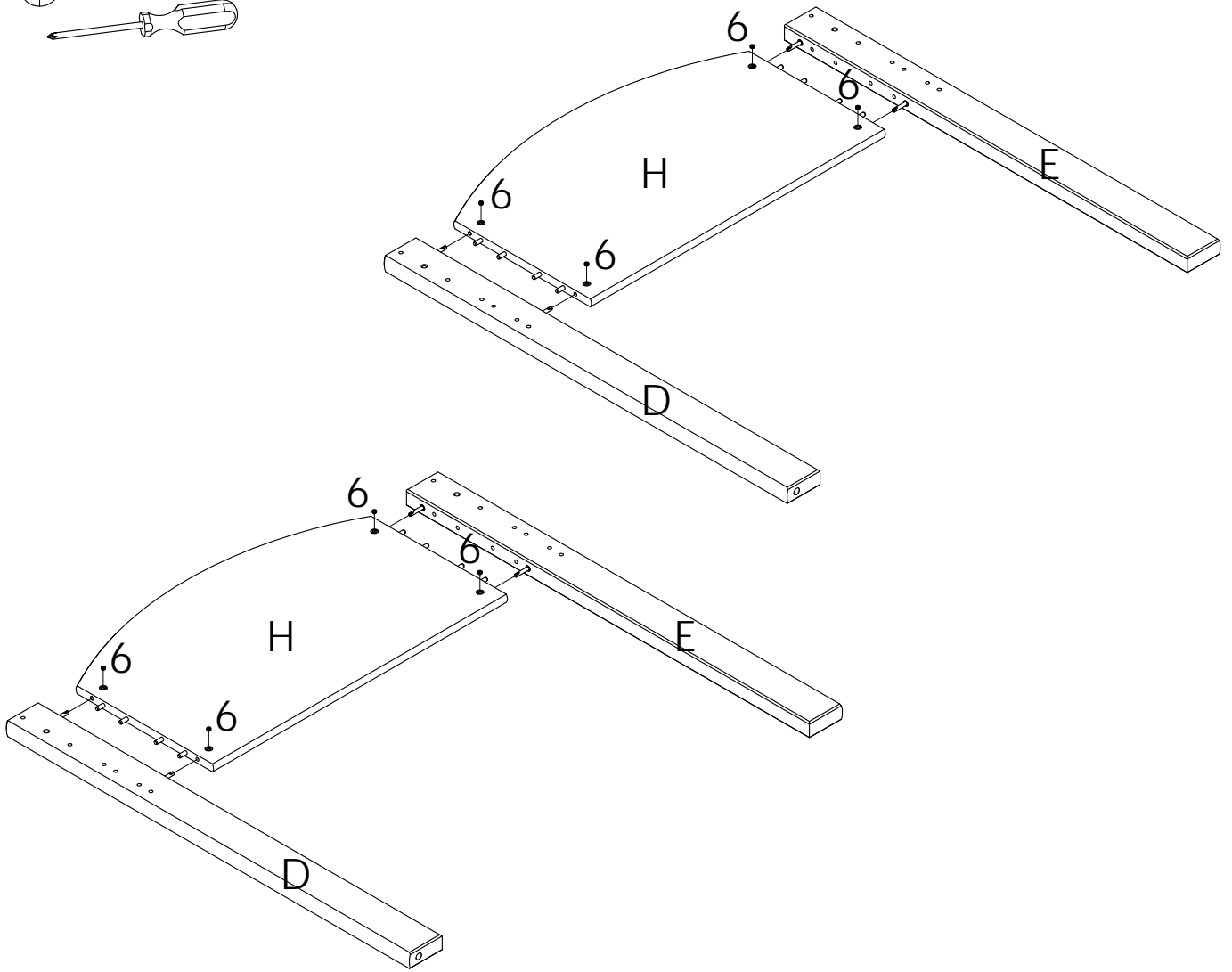
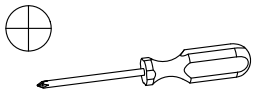
4		7,5x28,5	x8
---	---	----------	----

4

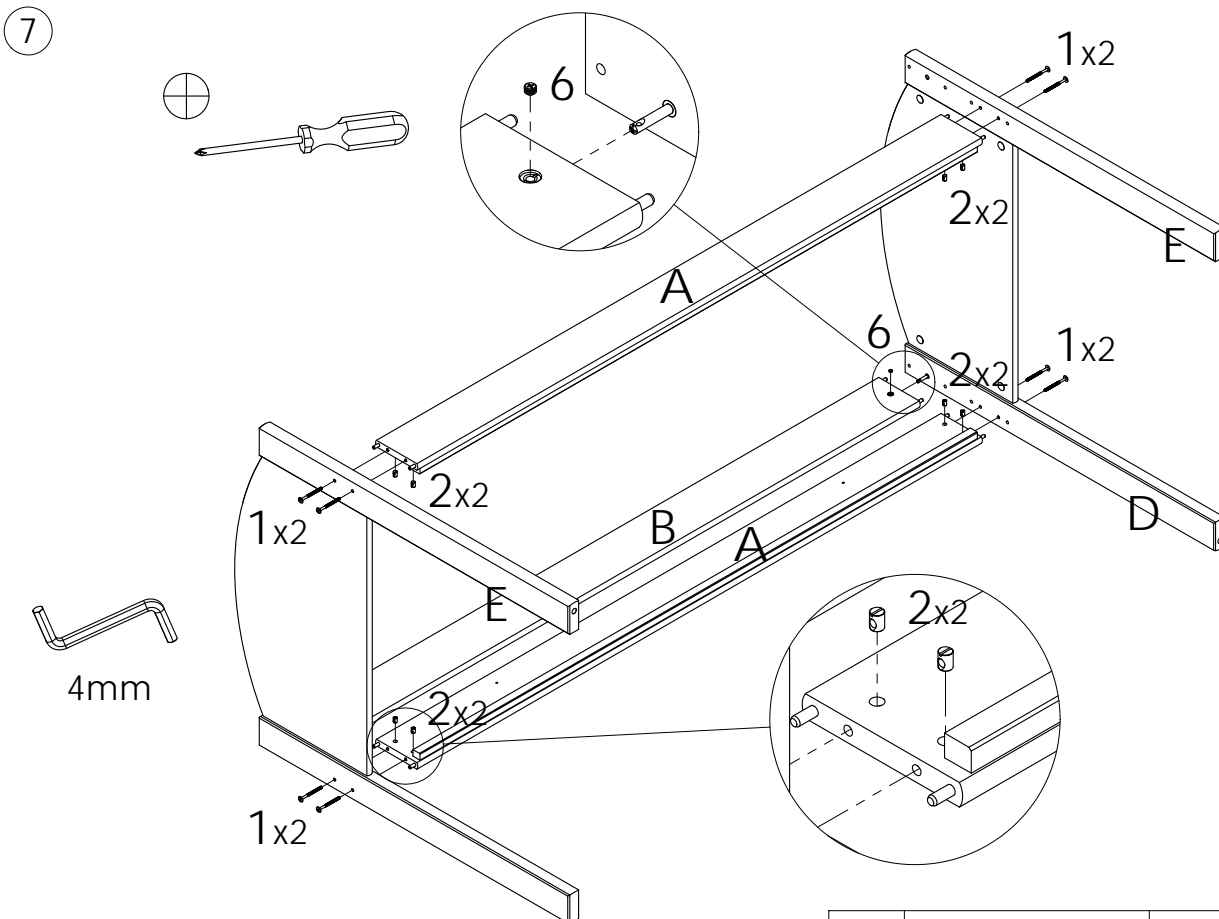
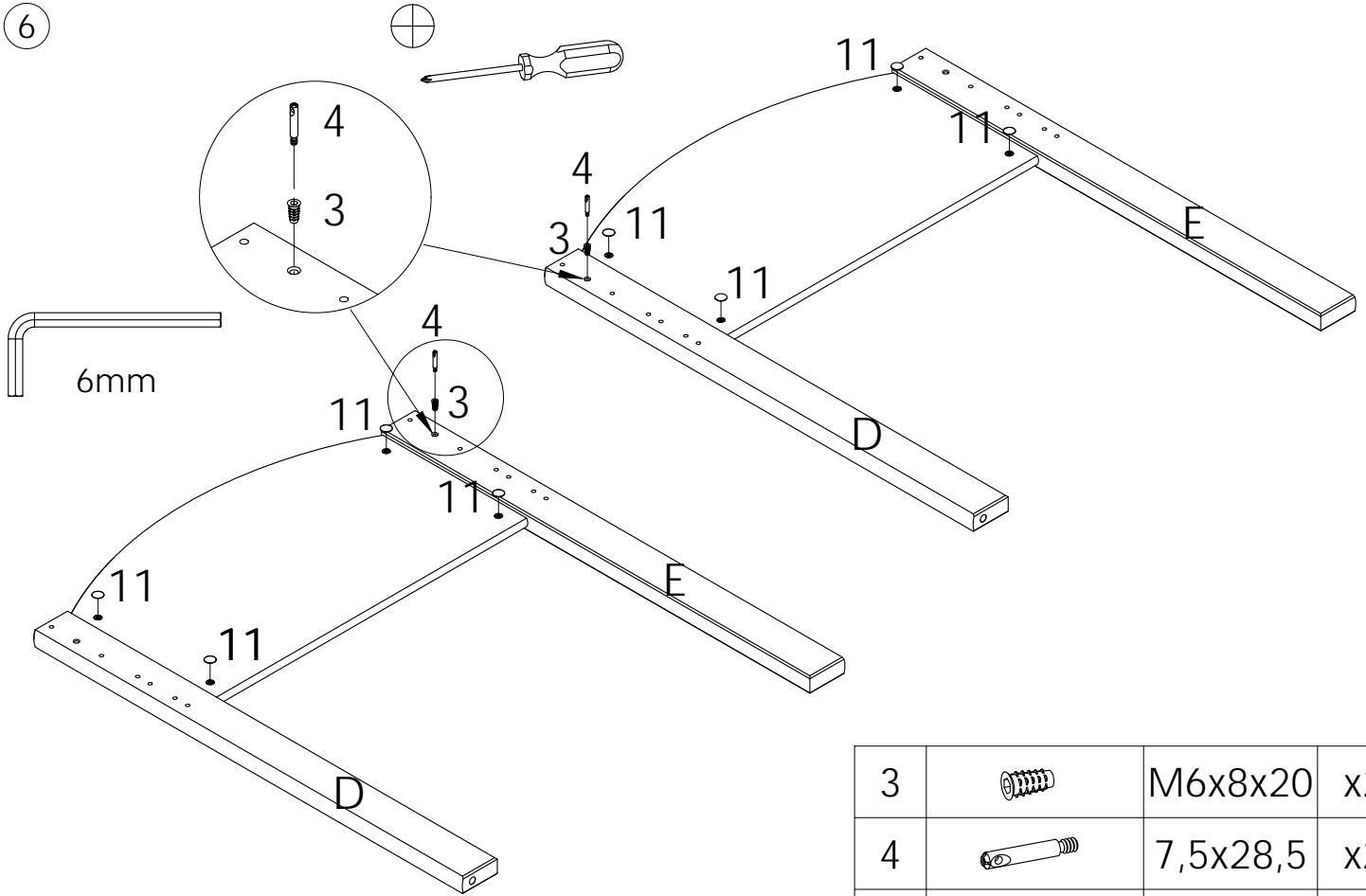


5		D14x13,5	x11
---	---	----------	-----

5



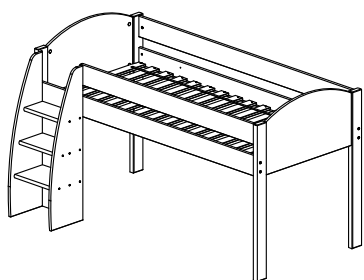
6		M8x8	x8
---	---	------	----



6		M8x8	x2
---	--	------	----

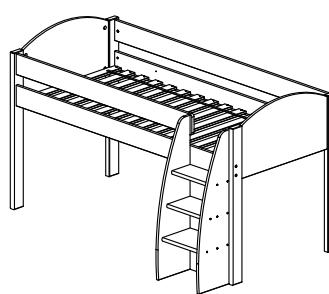
8a

Ladder Left



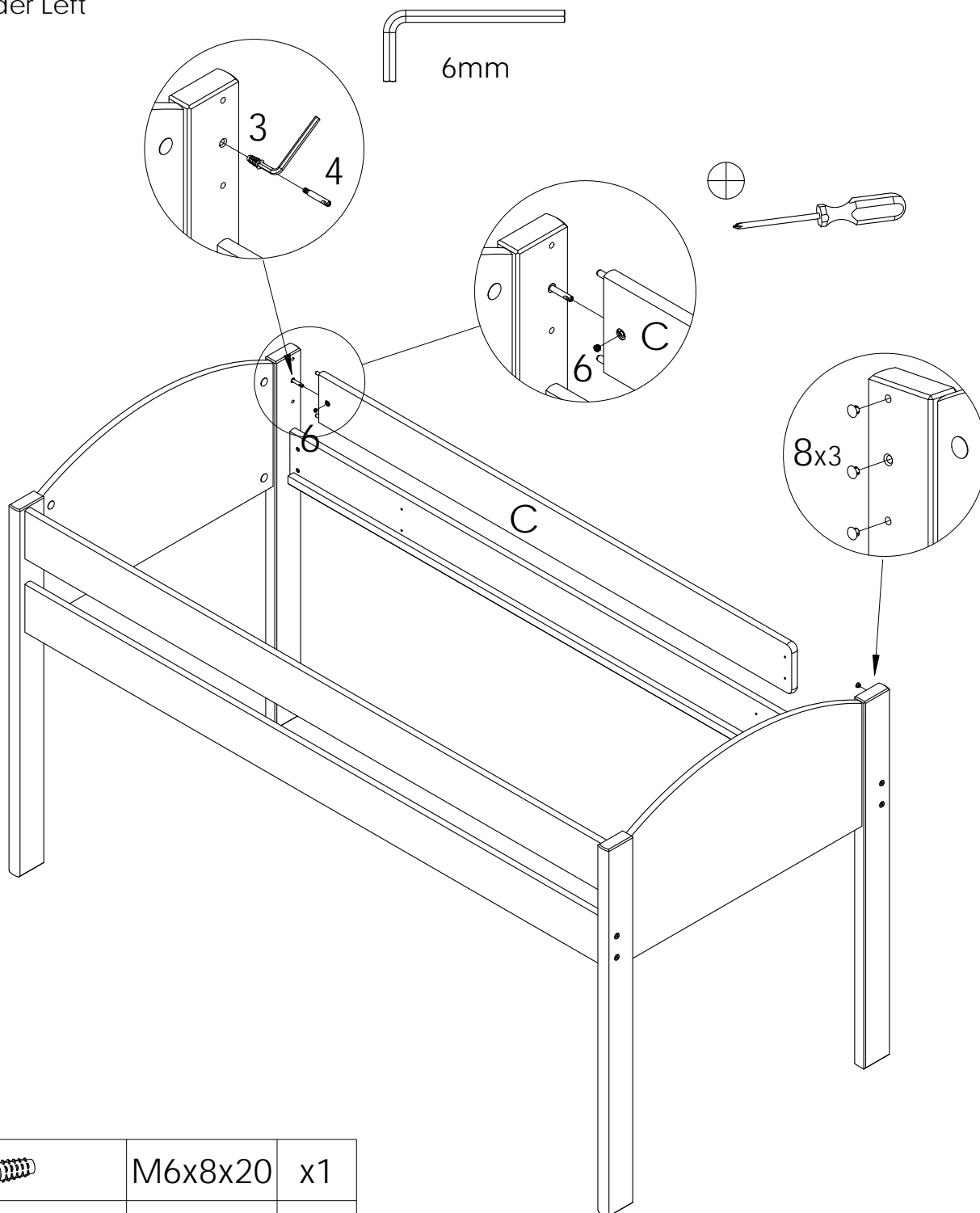
8b

Ladder Right



8a

Ladder Left



3



M6x8x20 x1

4



7,5x28,5 x1

6



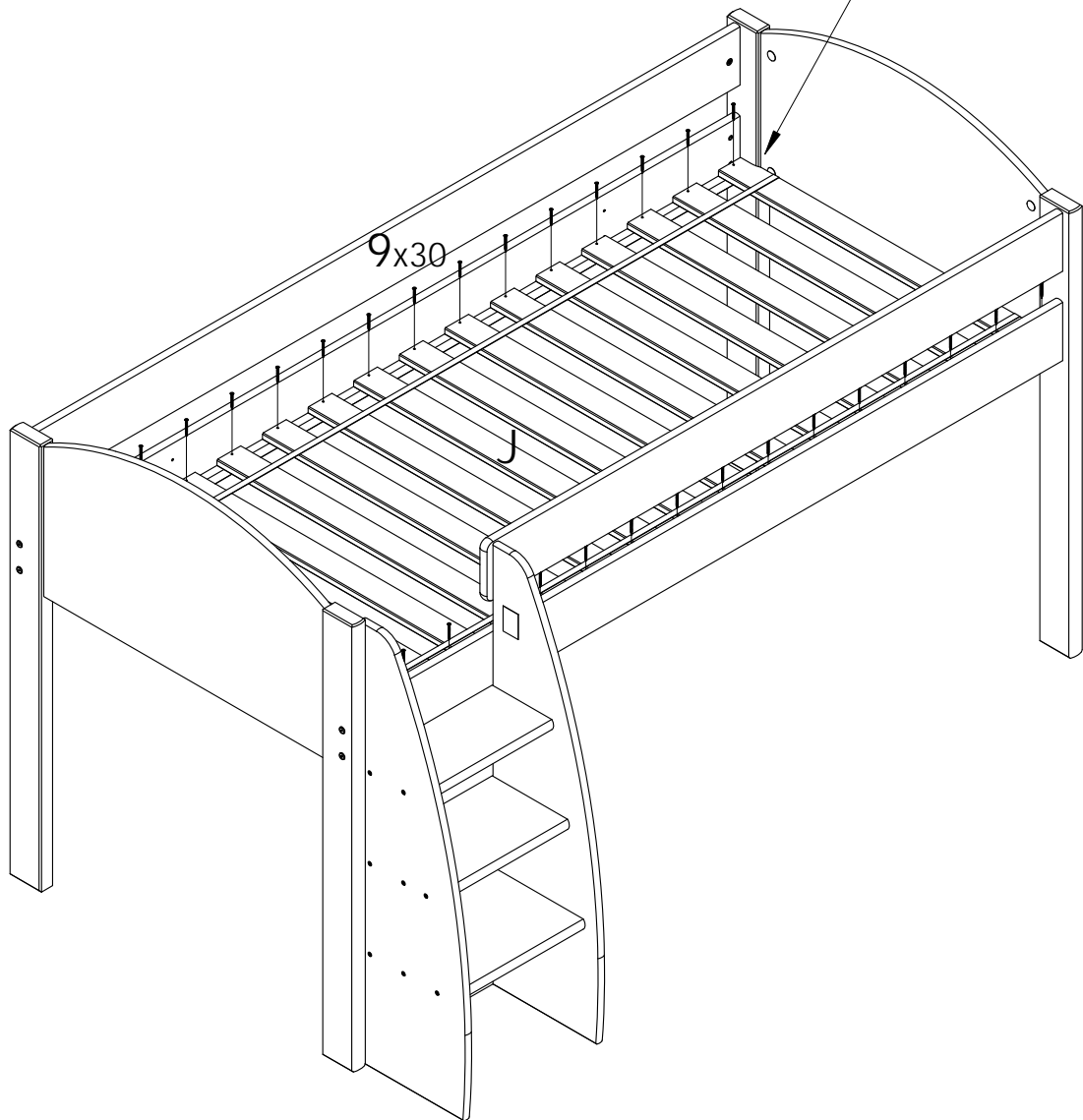
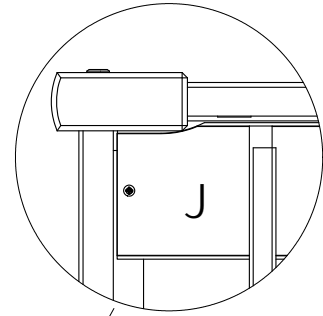
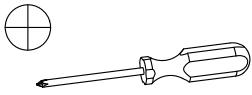
M8x8 x1

8



D8x13 x3

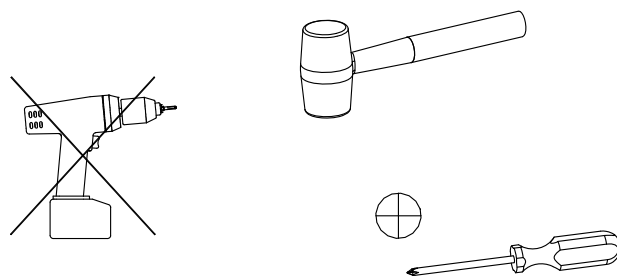
9



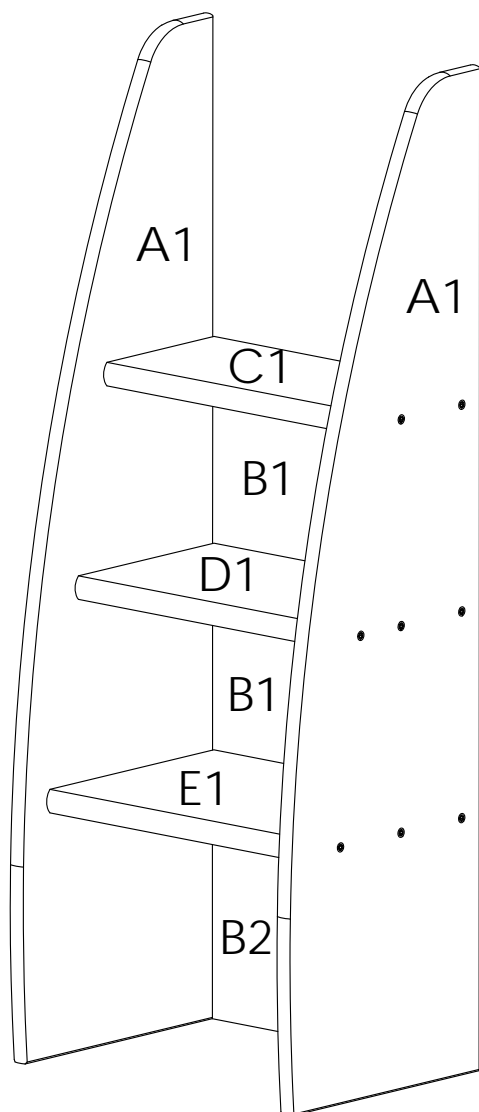
9		3,5x40	x30
---	---	--------	-----








## Ladder



You also need a crosshead screwdriver and a hammer.



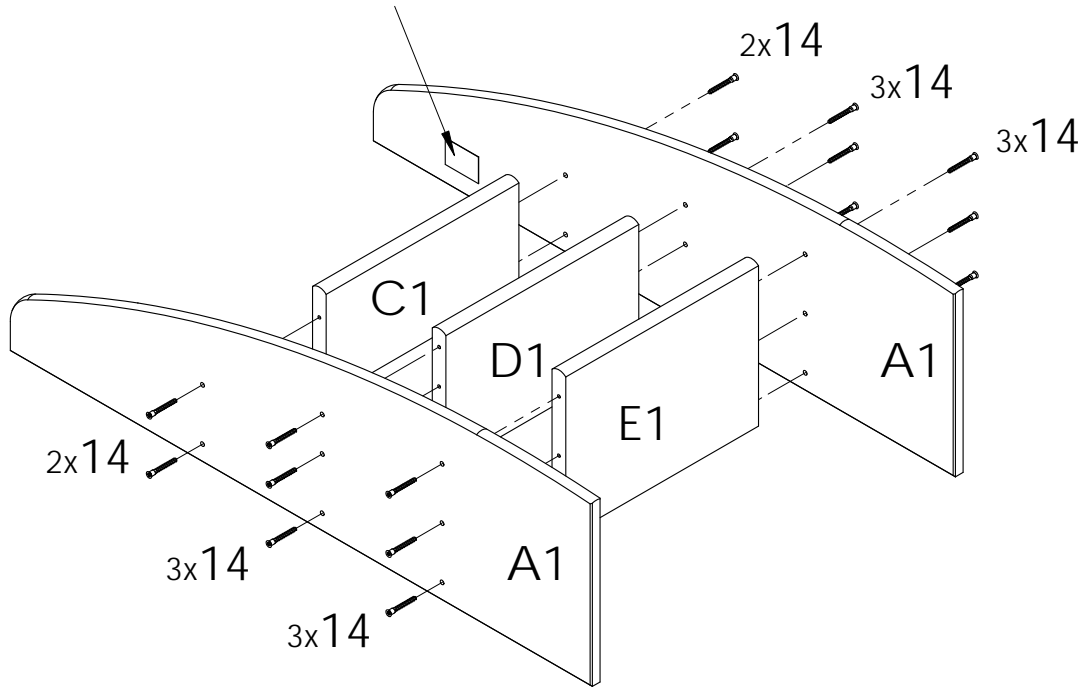
14		7x50	x16
15		1,2x20	x25
16		4,2x45	x4
17		21x21x16	x2
18		3,5x20	x4

1



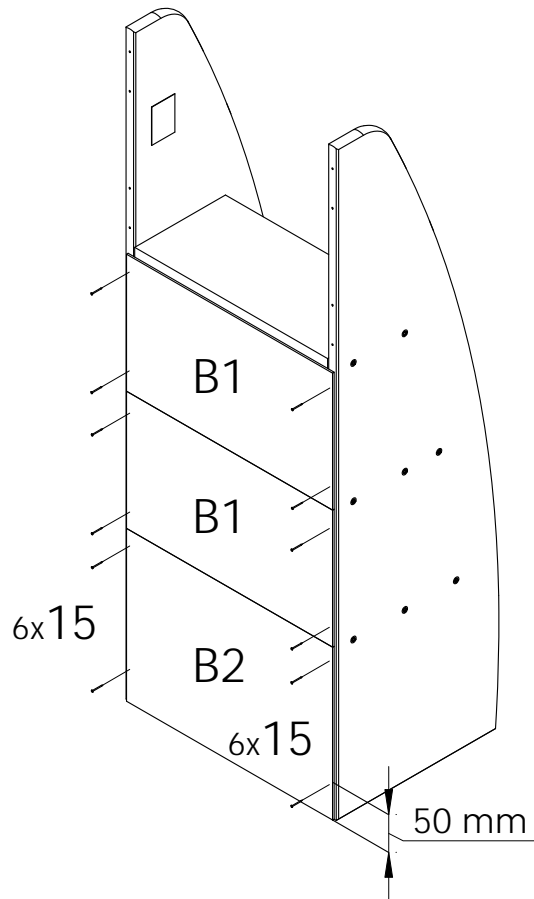
4mm

Maximum mattress thickness



14		7x50	x16
----	---	------	-----

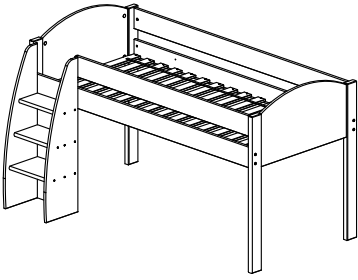
2



15		1,2x20	x25
----	---	--------	-----

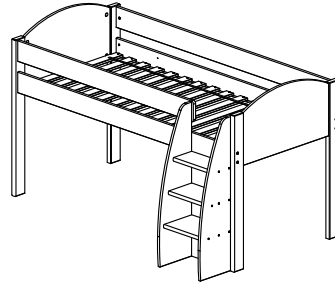
3a

Ladder Left



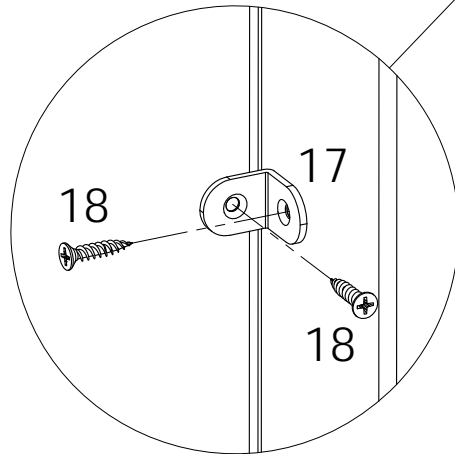
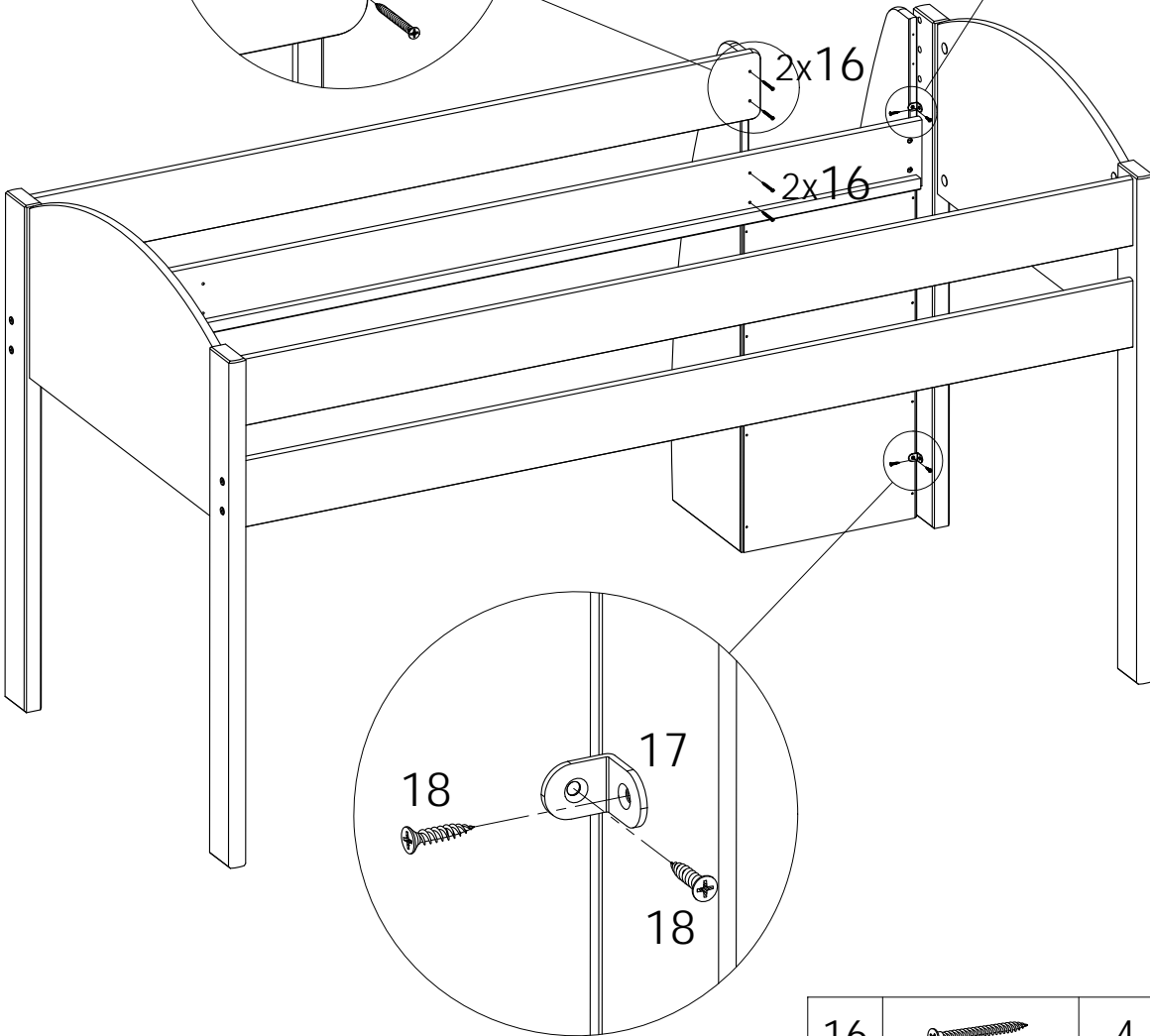
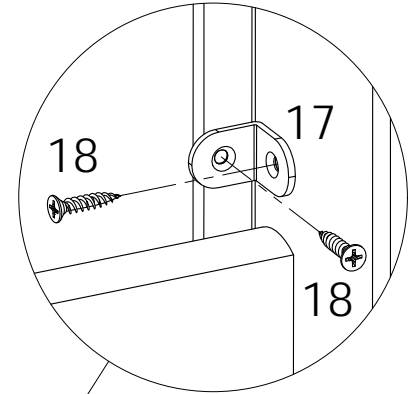
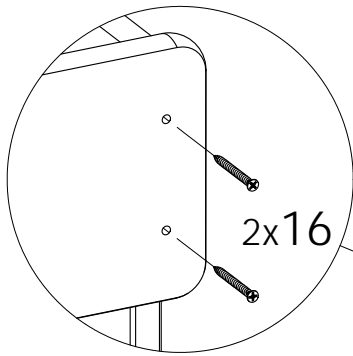
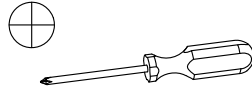
3b




Ladder Right



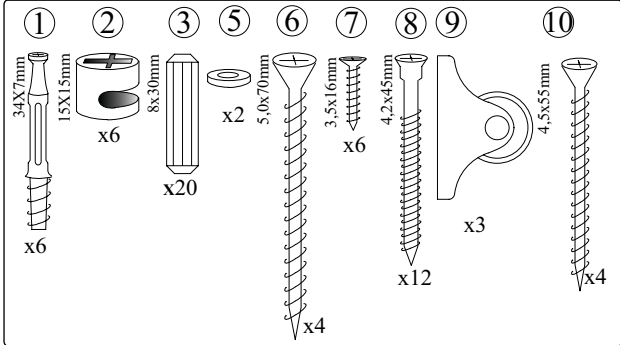
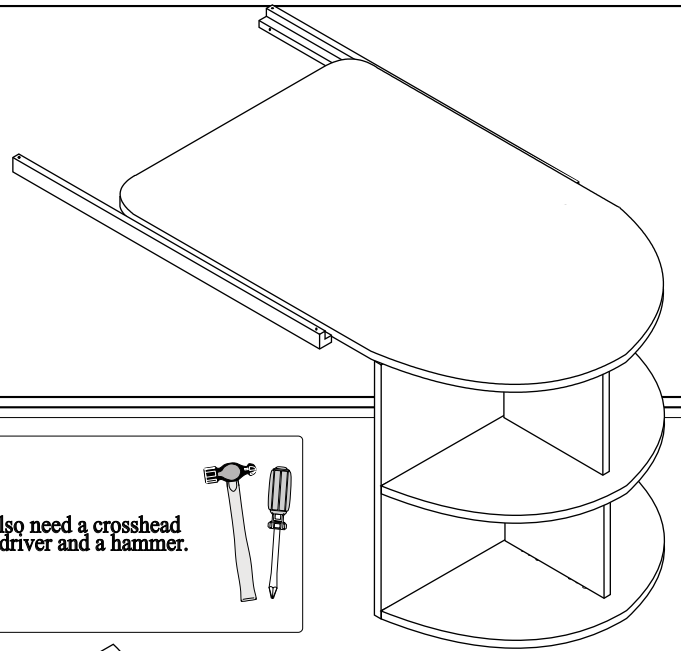
3a

Ladder Left

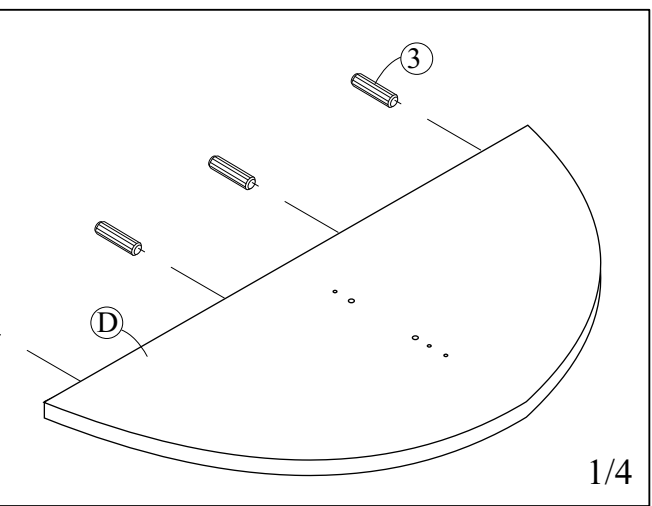
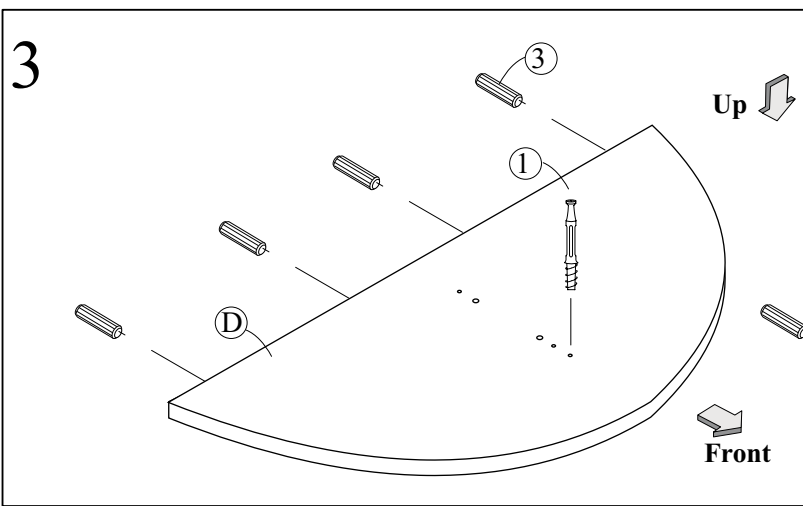
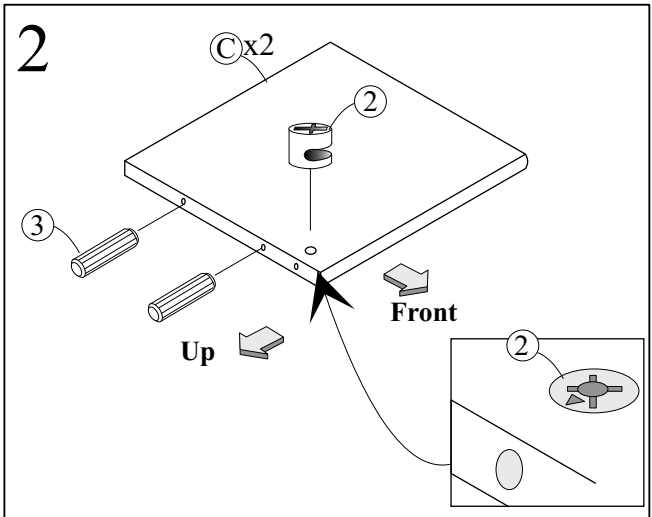
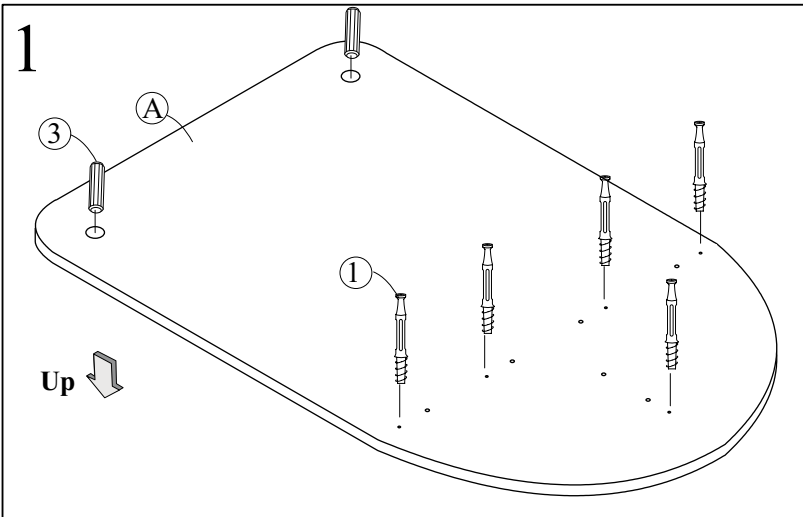
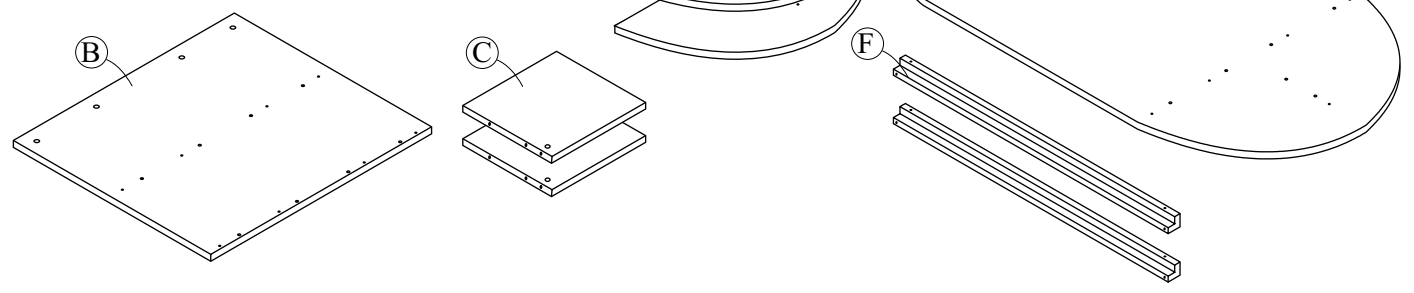


16		4,2x45	x4
17		21x21x16	x2
18		3,5x20	x4

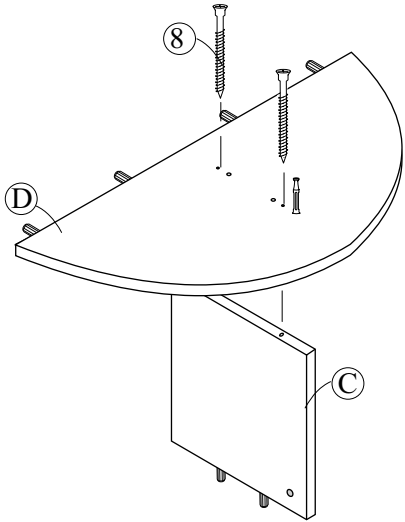
# Extending Desk



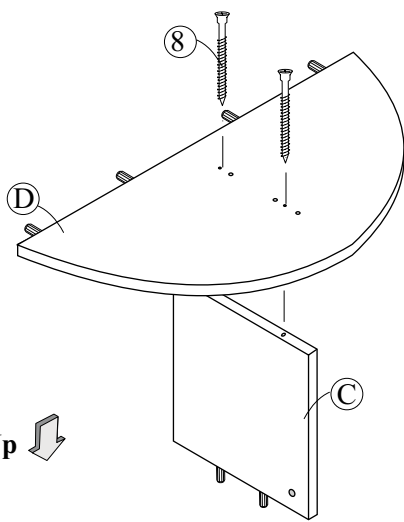
You also need a crosshead screwdriver and a hammer.



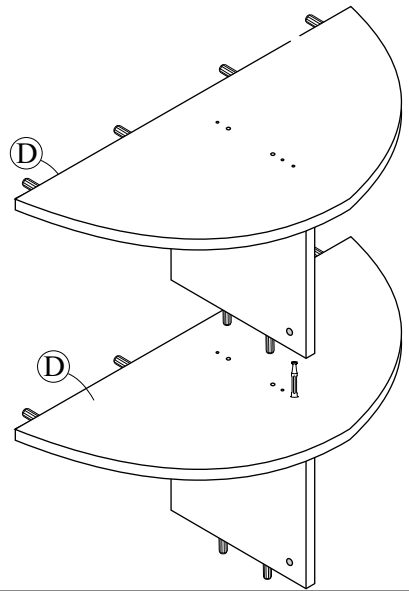
4



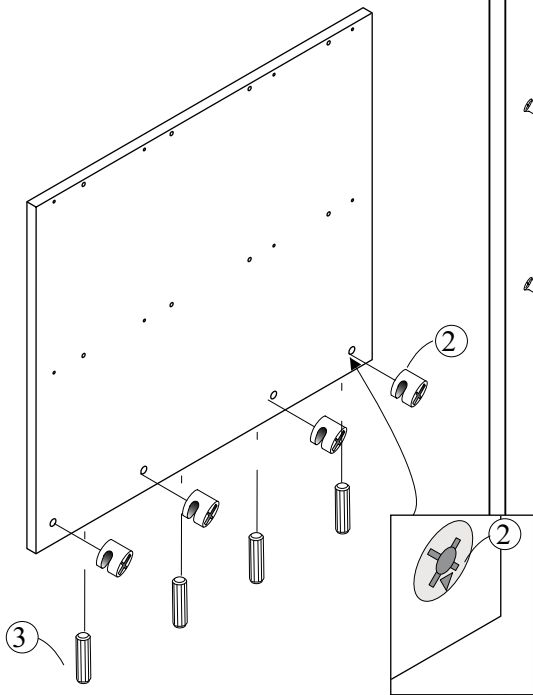
Up ↓



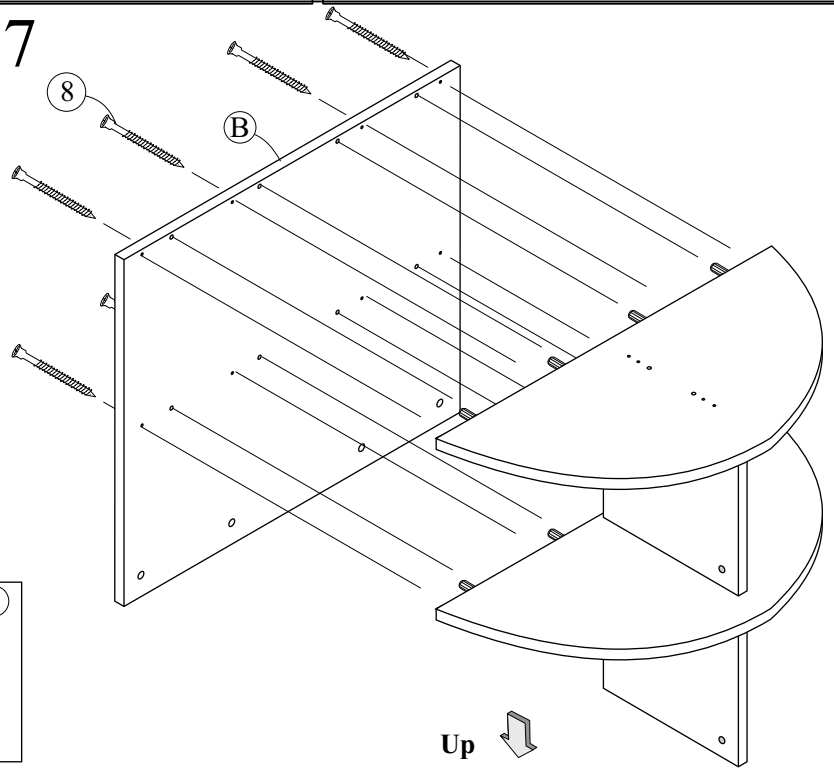
5



6

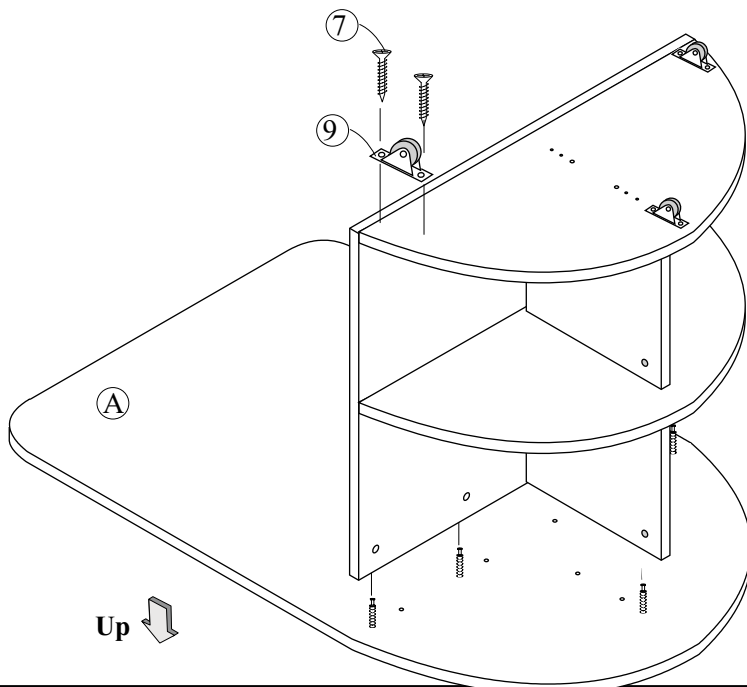


7

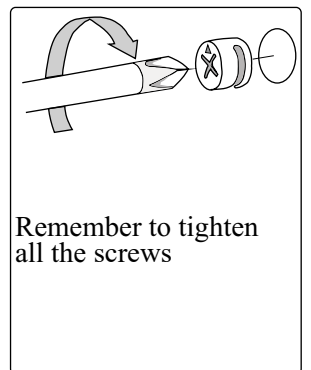


Up ↓

8

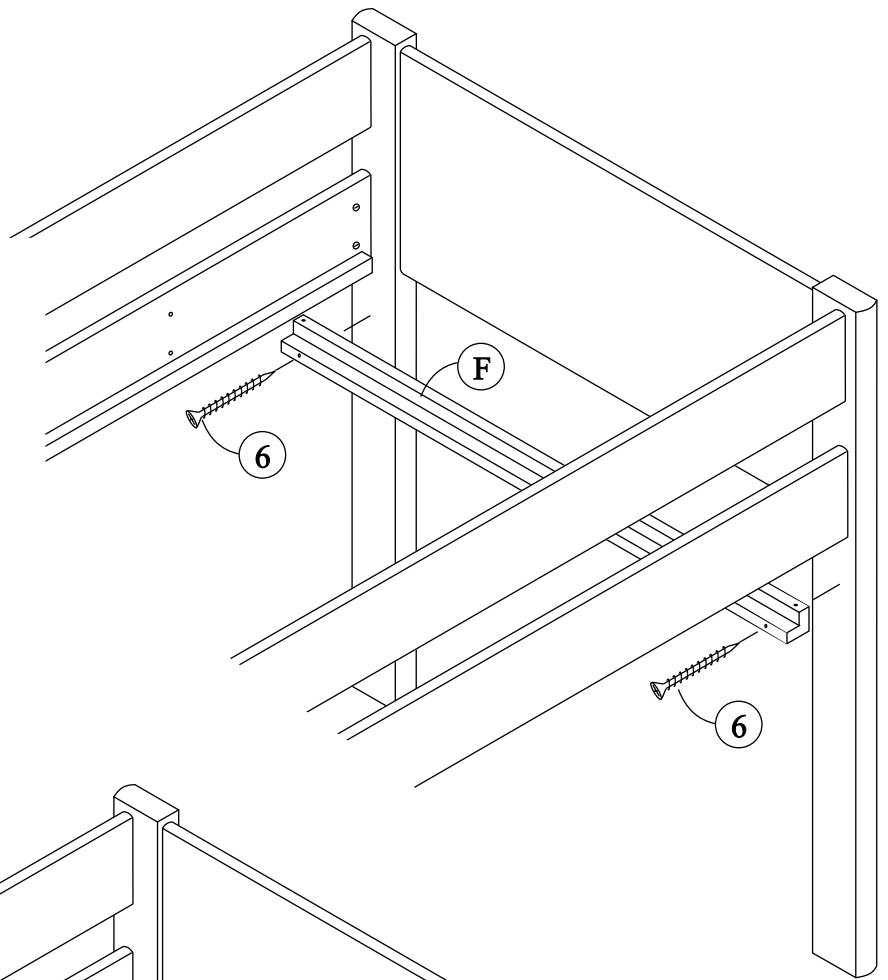
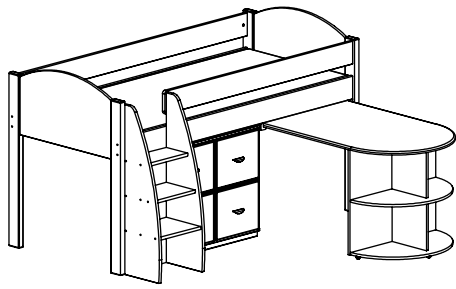


Up ↓

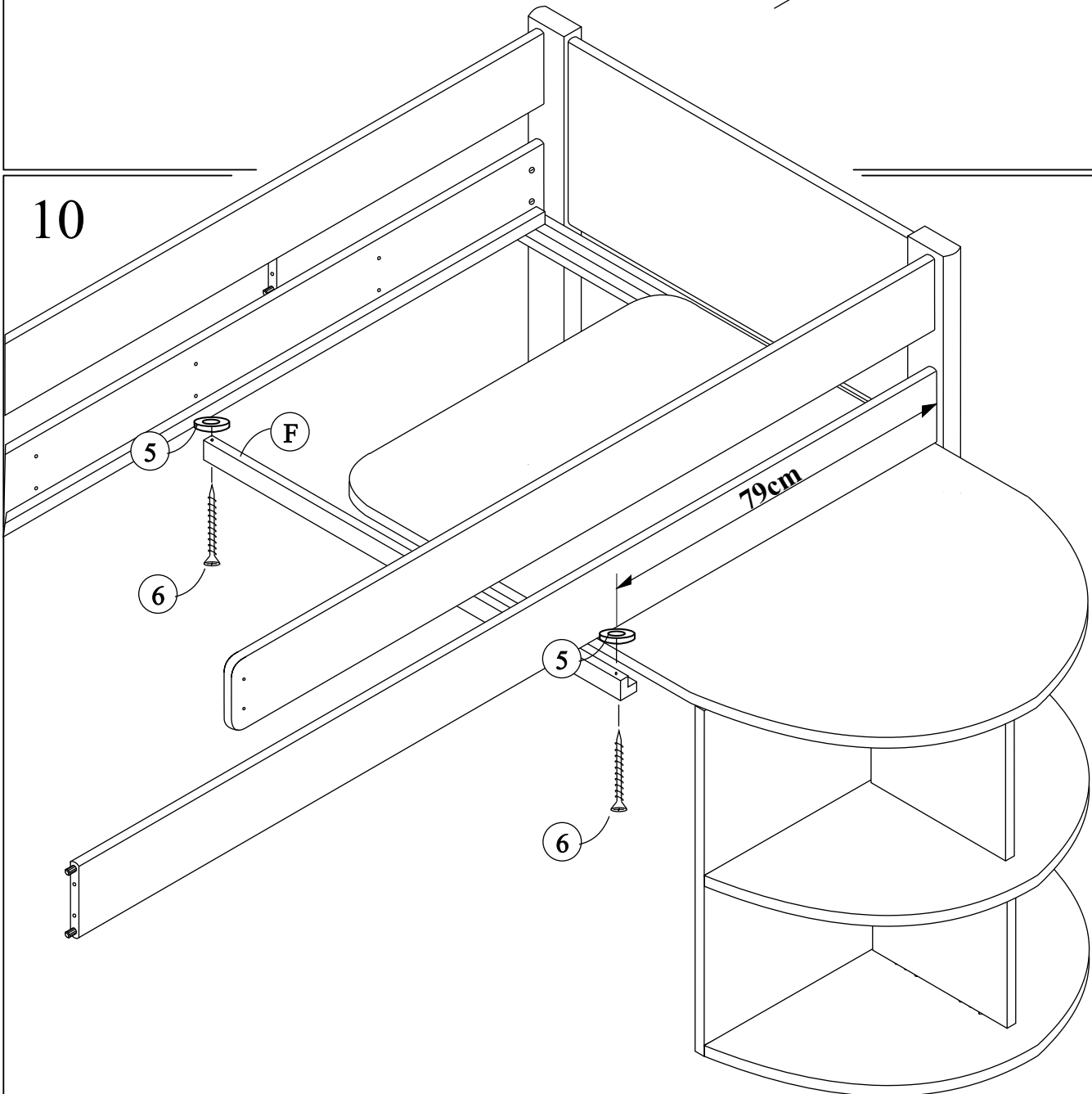


9

Assembly to Mid sleeper

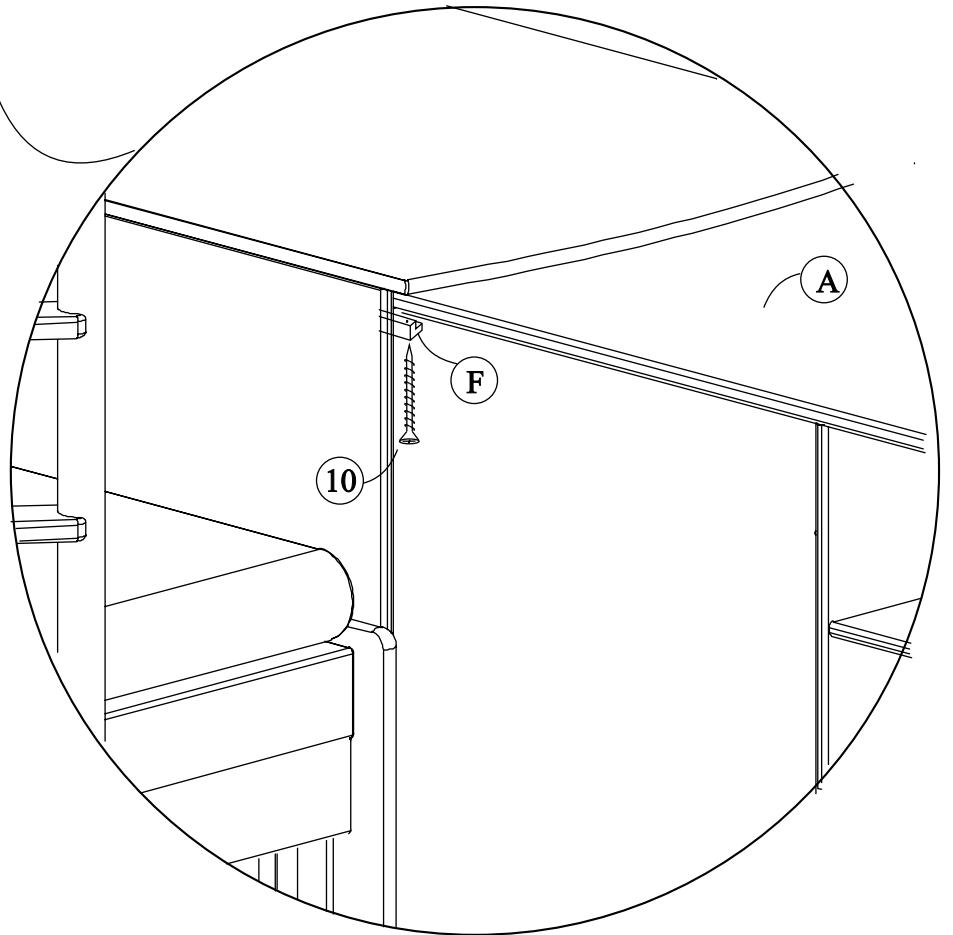
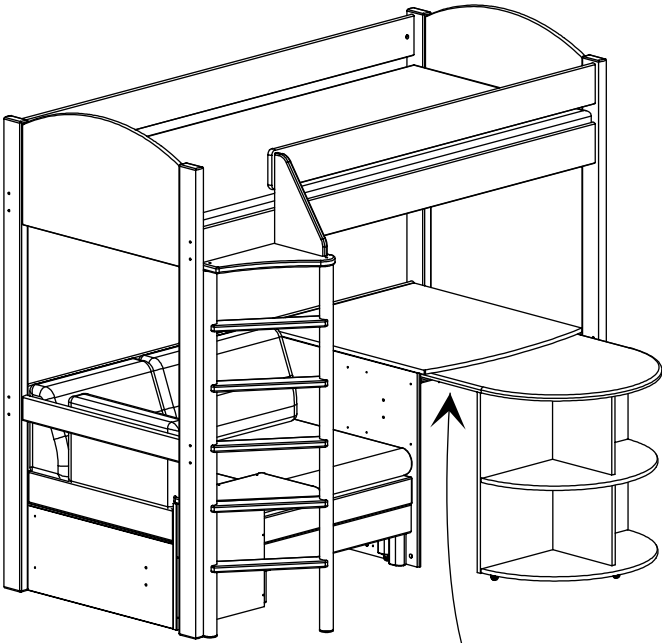


10

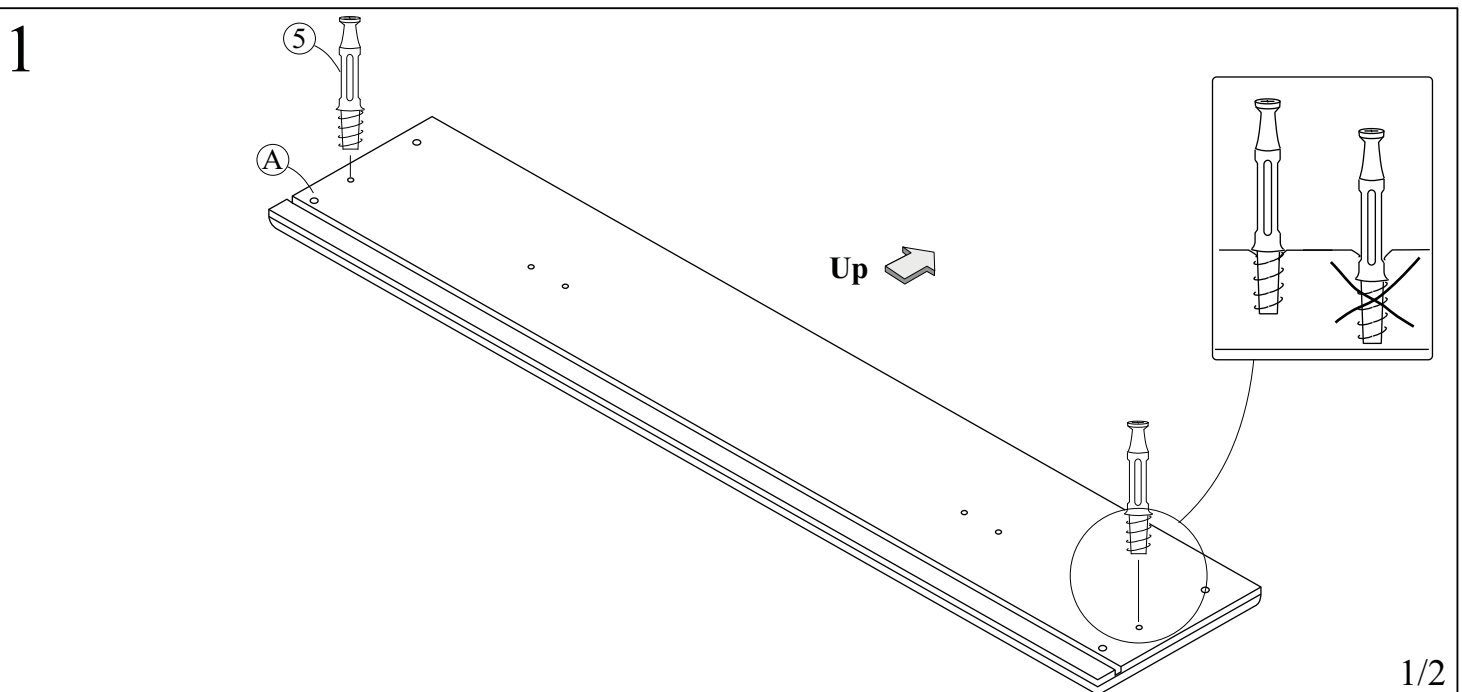
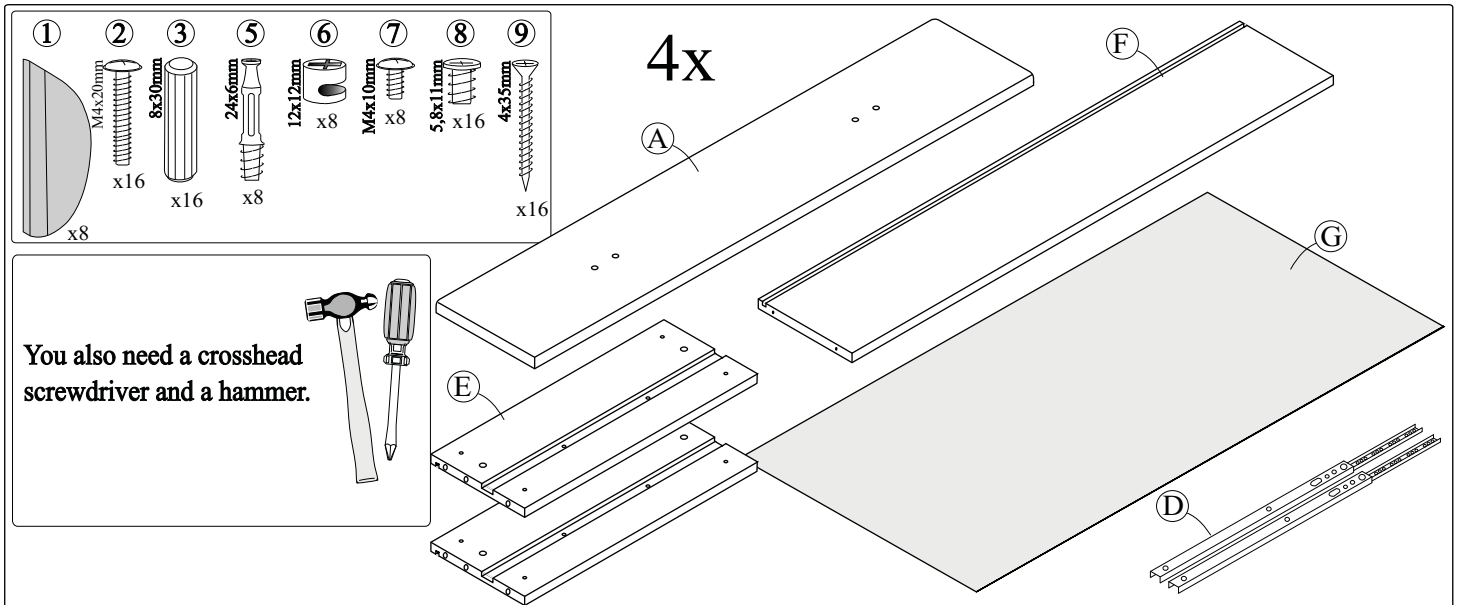
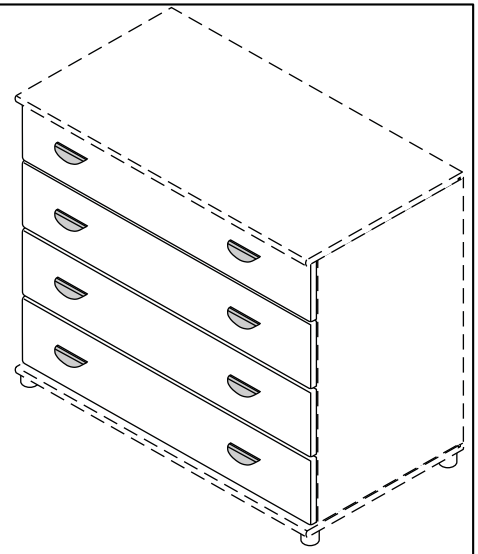


11

Assembly to tall bed

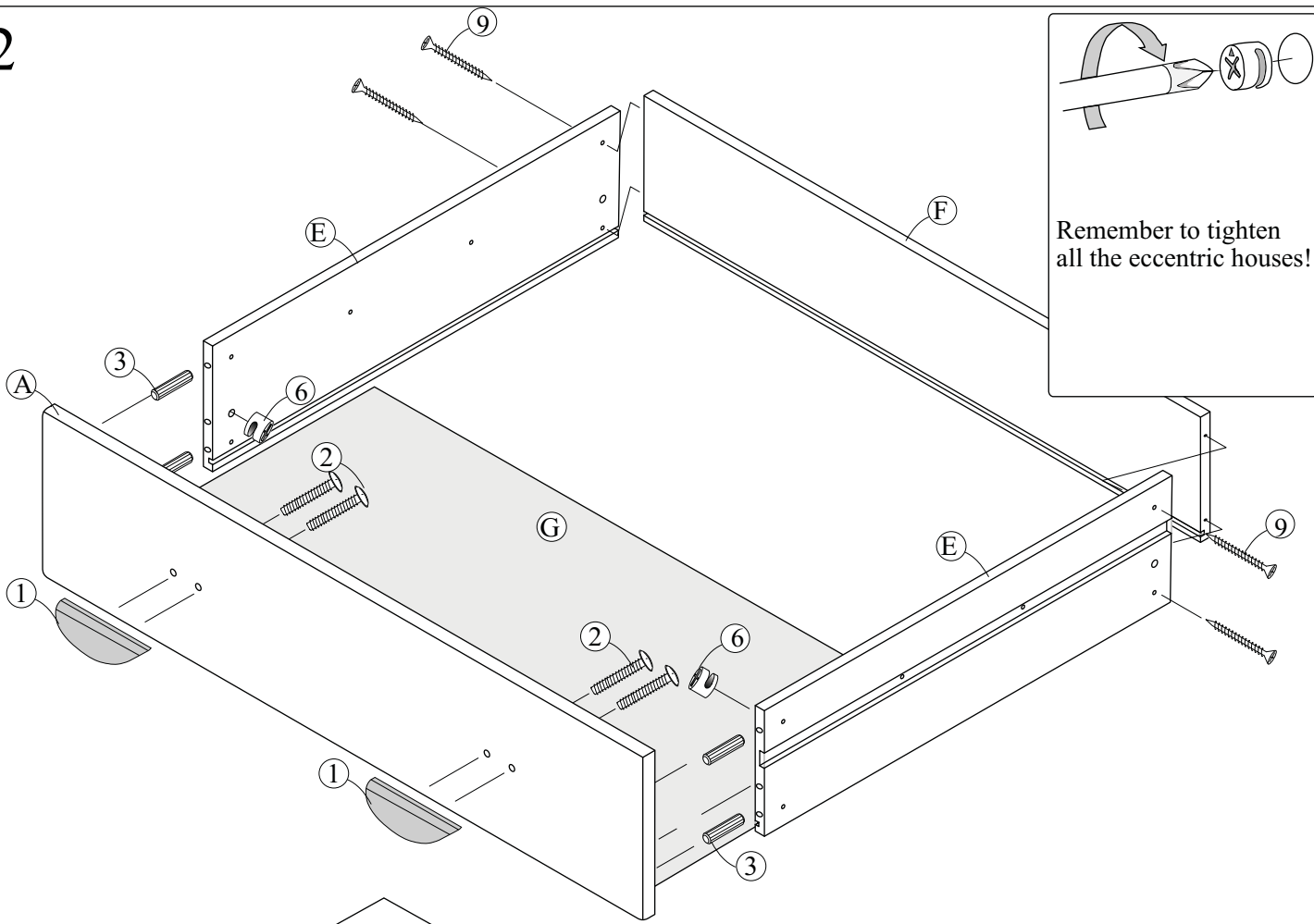


# Chest Of Drawers

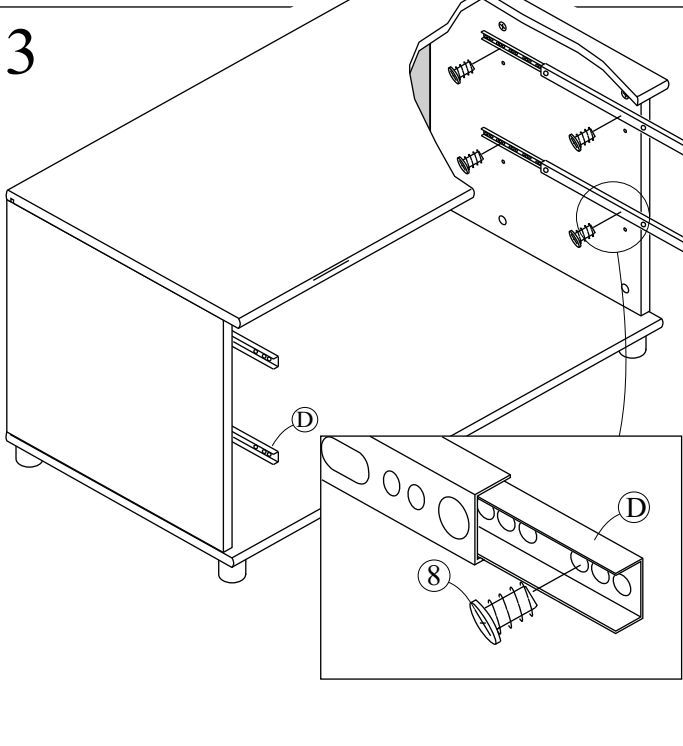




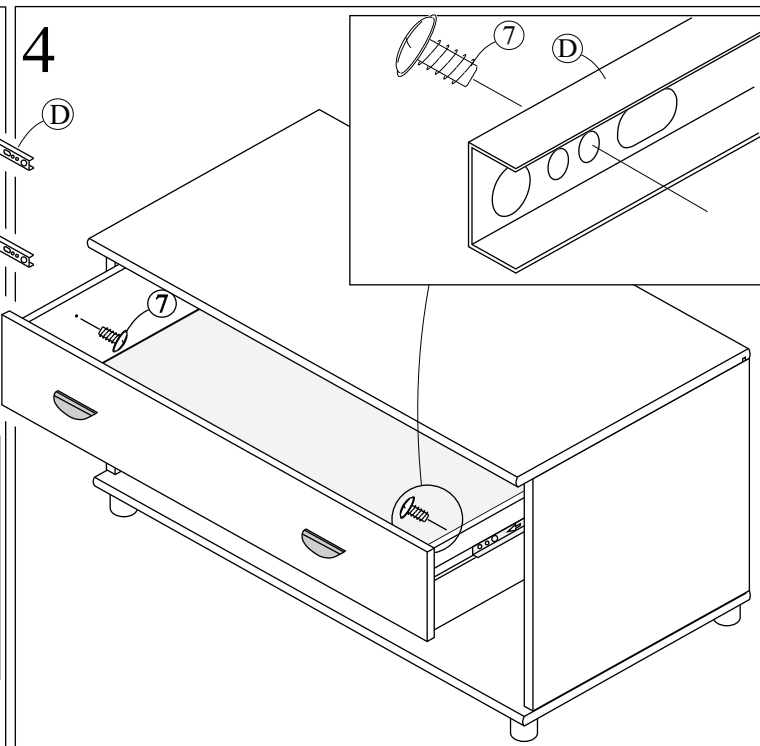
2



3



4



Please dispose of all packaging safely.

## General Care & Maintenance

Wipe clean with a slightly damp cloth.  
Avoid the use of all household cleaners and abrasives.

Periodically check all screw & fixings to ensure they are secure.

When moving your product, carefully lift into place. Never drag or push the product across the floor as this will cause damage to the joints. If the product is used on hard flooring, such as wood or laminated floor, you must place some protection under the legs to stop the product from moving. If this is not adhered to, it could result in failure to the product that will invalidate the warranty.

For more information on cleaning and product care visit:  
<https://www.happybeds.co.uk/help-and-advice>

## Notes

In the unlikely event that you have problems putting this product together or have damaged or missing parts, please contact us by visiting:  
<https://www.happybeds.co.uk/customer-service>