



Assembly Instructions

Emily 4ft & 4ft6 Metal Bed



Important before assembly:

Read these instructions carefully before assembling or using the product.

Please check the contents of the boxes before attempting to assemble this product. The instructions will have a checklist of parts and fittings.

It would be sensible to lay a rug or a carpet on the floor where you intend to assemble the product, to avoid scratches and damaging the product or the floor.

Assemble the product as close to its intended final location/room as possible.

Do NOT use any power tools as this may damage the frame.

Health & Safety:

This product or some parts of this product will be heavy. Please use an assistant when lifting.

Please keep small parts out of reach of children.

Always use on a level, even surface.

DO NOT jump on the product or any of its parts.

DO NOT use this product if any parts are missing, damaged or worn.

DO NOT use this product unless all fixings are secured.

Please keep these instructions for future reference.



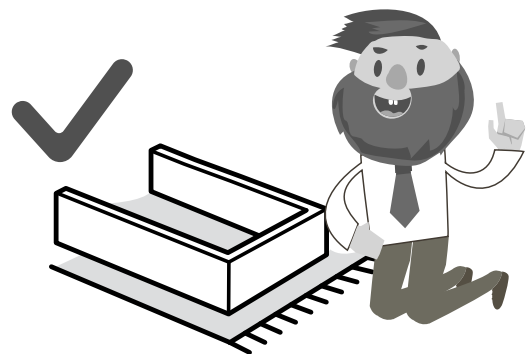
(Not metal)

These tools are not necessary, but may help to assemble certain parts of the product.

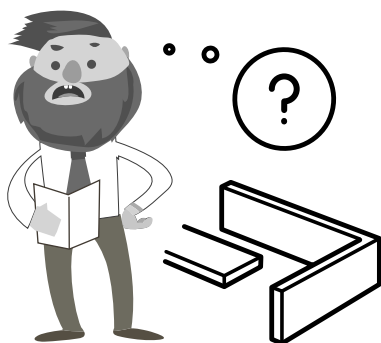
Do NOT use any power tools as this may damage the frame.



This product or some parts of this product will be heavy. Please use an assistant when lifting.



Never drag or push the pieces across a hard or stone floor as this will cause damage to the joints. Use a carpet or a rug for extra care.



If you have problems assembling or have damaged or missing pieces, please contact us by visiting:

<https://www.happybeds.co.uk/customer-service>



ASSEMBLY INSTRUCTIONS

IMPORTANT: READ THESE INSTRUCTIONS CAREFULLY BEFORE ASSEMBLING

PLEASE KEEP THESE INSTRUCTIONS FOR FUTURE REFERENCE.

HEALTH & SAFETY :

DO NOT jump on this bed frame.

DO NOT use this bed frame if any parts are missing, damaged or worn.

DO NOT use this bed frame unless all fixings are secured.

Please keep small parts out of reach of children.

Always use on a level, even surface.

WARNING: If this bed is placed on a non-carpeted floor you must place some protection under all legs to stop the bed frame from moving. If this is not adhered to there is no guarantee if the bed frame collapses.

CARE & MAINTENANCE:

Assemble in the room of use.

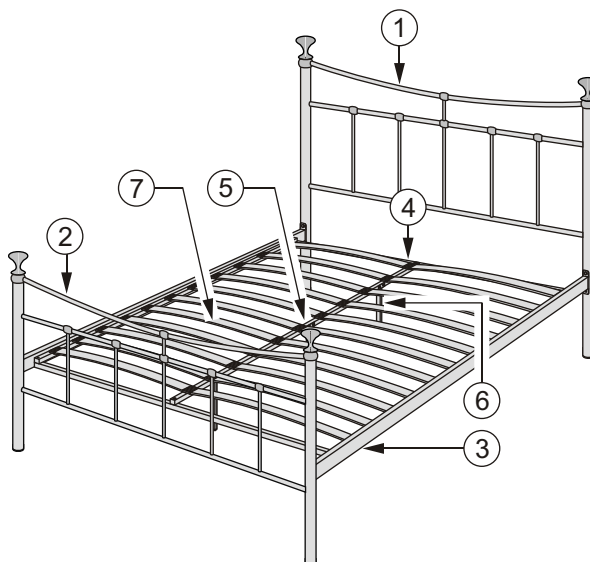
Periodically check all screws & fixings to ensure they are secure.

DO NOT push the bed frame as this will damage the legs.

Always lift the bed with two people to reposition.

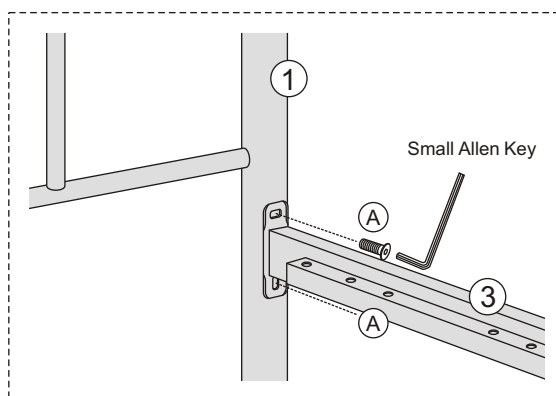
Keep any sharp objects away from the frame.



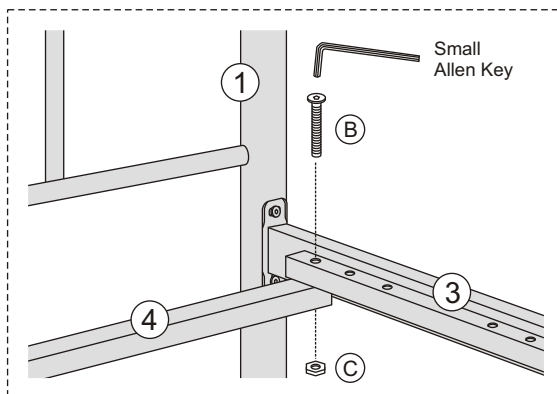


Part List				Hardware List (found in box 1)		
Part	Description	Box	Qty	Part	Description	Qty
1	Headend	1	1	A	M6 x 16mm JCBC Screw	8
2	Footend	1	1	B	M6 x 50mm JCBC Screw	4
3	Side Support	2	2	C	M6 Nut	10
4	Side Frame	2	2	D	M6 x 35mm JCBC Screw	6
5	Mid Support	2	1	E	Double Slat Cap	11
6	Base Leg	1	3	F	Single Slat Cap	22
7	Slat	3	22	G	Finial	4
**M4 Allen Key & M5 Allen Key provided				H	M8 x 50mm JCBC Screw	2
				I	M8 Nut	2

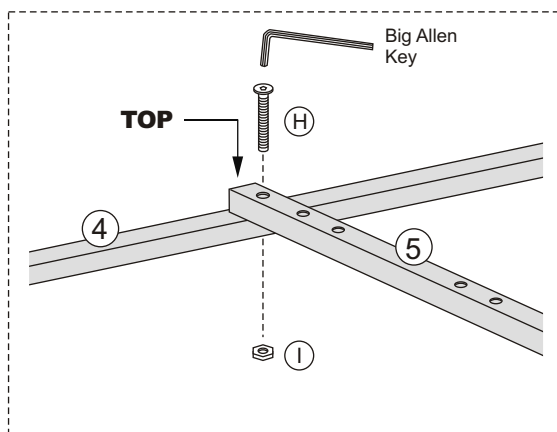
Step 1: Fix the Side Support (3) to the Headend (1) and Footend (2) using hardware part (A) but do not fully tighten yet. **DO NOT use any power tools as this may damage the frame and will invalidate any claim.**



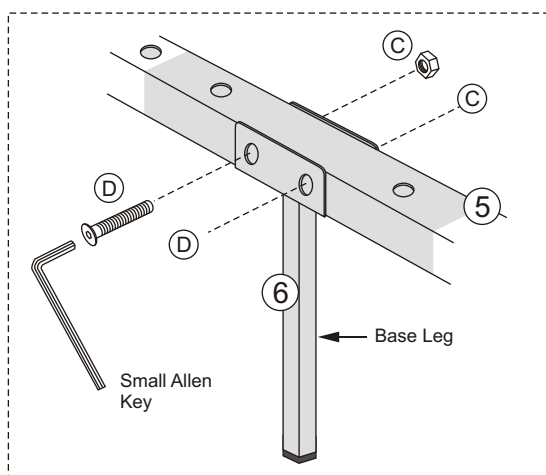
Step 2: Place the Side Frames (4) underneath the Side Supports (3) and secure using hardware parts (B) and (C).
DO NOT use any power tools as this may damage the frame and will invalidate any claim.



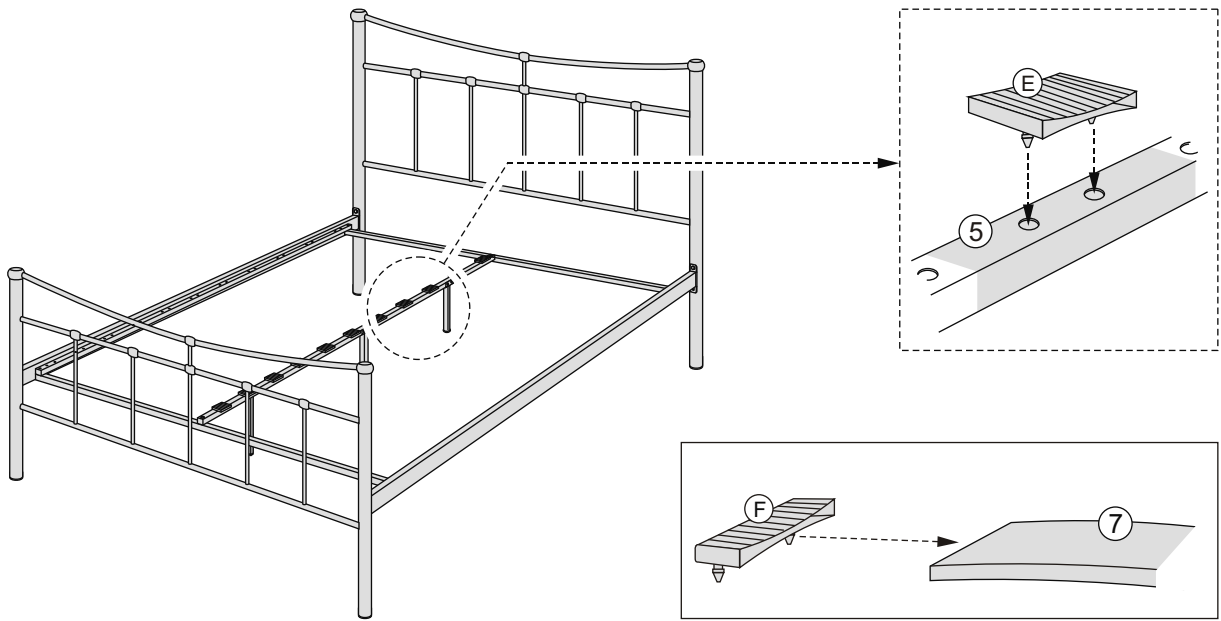
Step 3: Place the Mid Supports (5) **ON TOP** of the Side Frames (4) and secure using hardware parts (H) and (I).
DO NOT use any power tools as this may damage the frame and will invalidate any claim.



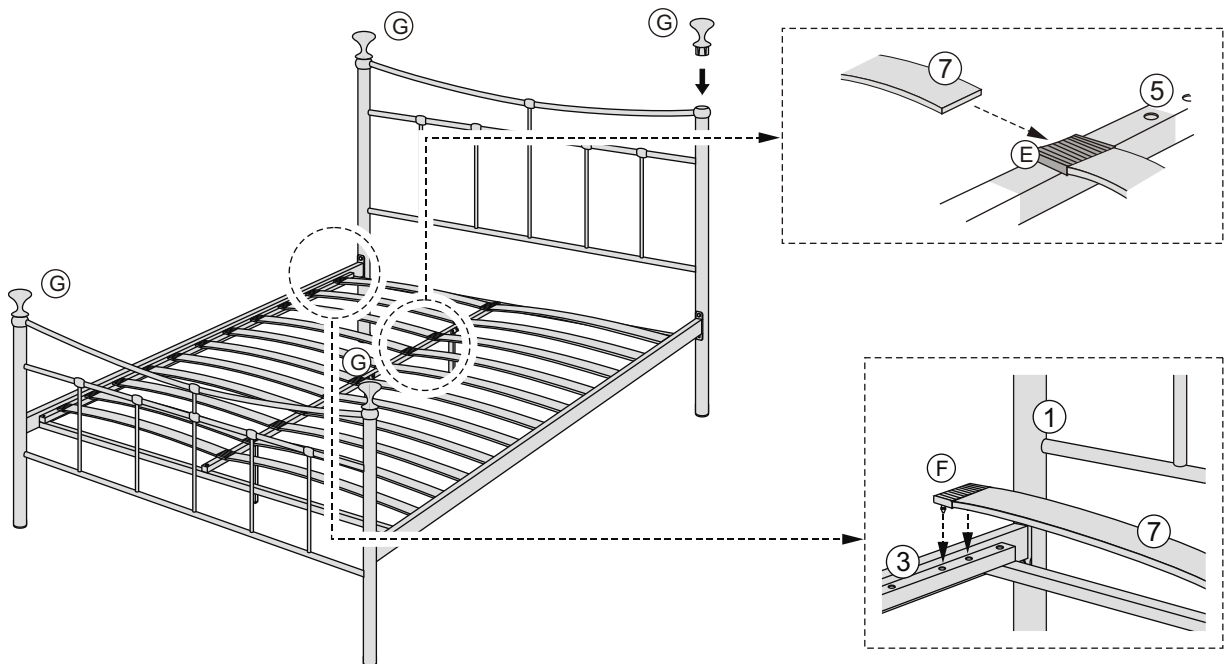
Step 4: Take the Base Leg (6) and fit to the Mid Support (5) according to the holes at the side using hardware parts (C) and (D).
DO NOT use any power tools as this may damage the frame and will invalidate any claim.



Step 5: Push hardware parts (E) into the Mid Support (5) then place hardware part (F) onto each Slat (7).
DO NOT use any power tools as this may damage the frame and will invalidate any claim.



Step 6: Slide the Slats (7) into hardware part (E) on the Mid Support (5) then push the ends into the Side Supports (3) firmly, insert hardware part (G) to the frame posts.
DO NOT use any power tools as this may damage the frame and will invalidate any claim.



Please dispose of all packaging safely.

General Care & Maintenance

Wipe clean with a slightly damp cloth.
Avoid the use of all household cleaners and abrasives.

Periodically check all screw & fixings to ensure they are secure.
When moving your product, carefully lift into place. Never drag or push the pieces across the floor as this will cause damage to the joints and could result in failure to the product that will invalidate the warranty.

For more information on cleaning and product care visit:
<https://www.happybeds.co.uk/help-and-advice>

Notes

We've tried to make this product as easy to assemble as possible. In the unlikely event that you have problems putting it together or have damaged or missing pieces, please contact us by visiting:

<https://www.happybeds.co.uk/customer-service>



www.happybeds.co.uk

