



Assembly Instructions

Enzo Wooden Gaming Desk



Important before assembly:

Read these instructions carefully before assembling or using the product.

Please check the contents of the boxes before attempting to assemble this product. The instructions will have a checklist of parts and fittings.

It would be sensible to lay a rug or a carpet on the floor where you intend to assemble the product, to avoid scratches and damaging the product or the floor.

Assemble the product as close to its intended final location/room as possible.

Do NOT use any power tools as this may damage the frame.

Health & Safety:

This product or some parts of this product will be heavy. Please use an assistant when lifting.

Please keep small parts out of reach of children.

Always use on a level, even surface.

DO NOT jump on the product or any of its parts.

DO NOT use this product if any parts are missing, damaged or worn.

DO NOT use this product unless all fixings are secured.

Please keep these instructions for future reference.



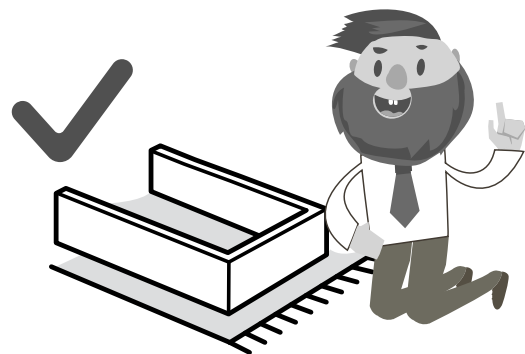
(Not metal)

These tools are not necessary, but may help to assemble certain parts of the product.

Do NOT use any power tools as this may damage the frame.



This product or some parts of this product will be heavy. Please use an assistant when lifting.

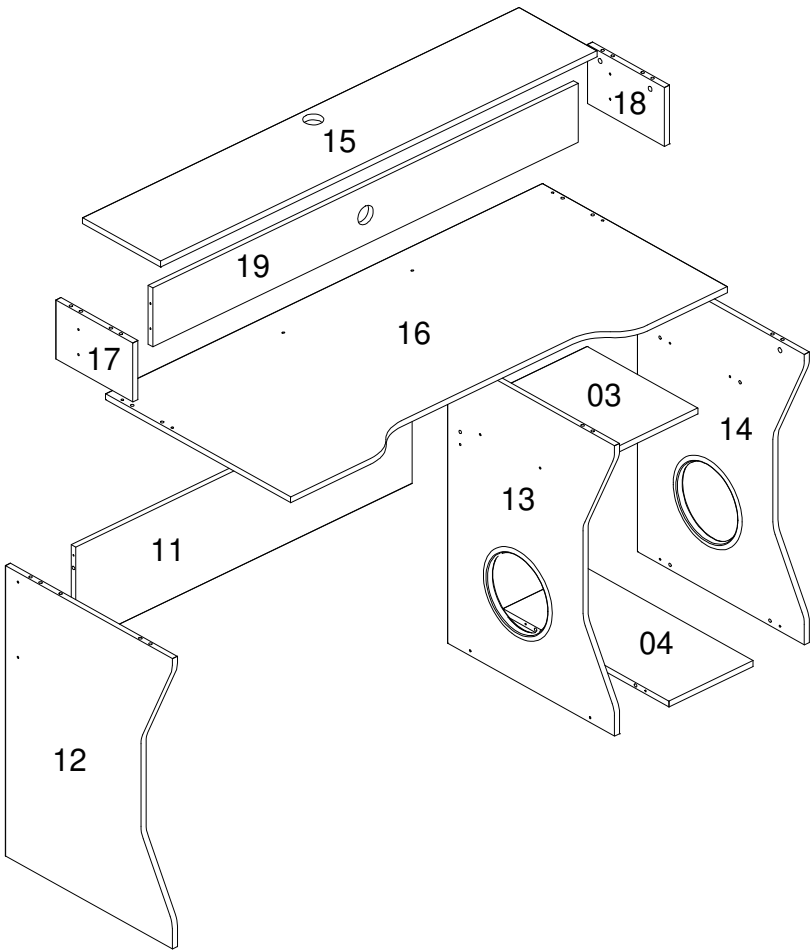


Never drag or push the pieces across a hard or stone floor as this will cause damage to the joints. Use a carpet or a rug for extra care.


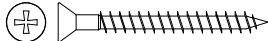
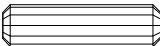
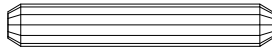
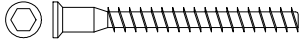


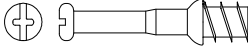



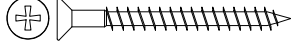



If you have problems assembling or have damaged or missing pieces, please contact us by visiting:

<https://www.happybeds.co.uk/customer-service>

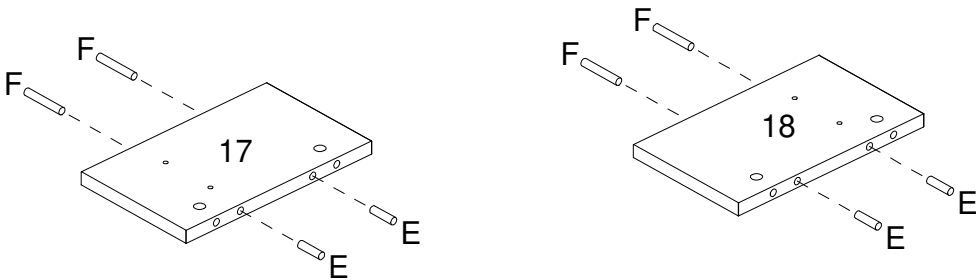
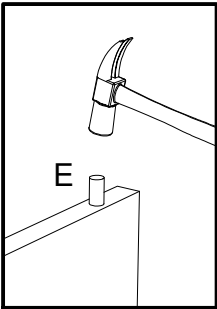


Parts List			
Part	Description	Box	Qty
03	Shelf	1	1
04	Bottom Base	1	1
11	Lower Backboard	1	1
12	Lower Left Side	1	1
13	Lower Division	1	1
14	Lower Right Side	1	1
15	Top Base	1	1
16	Top	1	1
17	Upper Left Side	1	1
18	Upper Right Side	1	1
19	Top Backboard	1	1

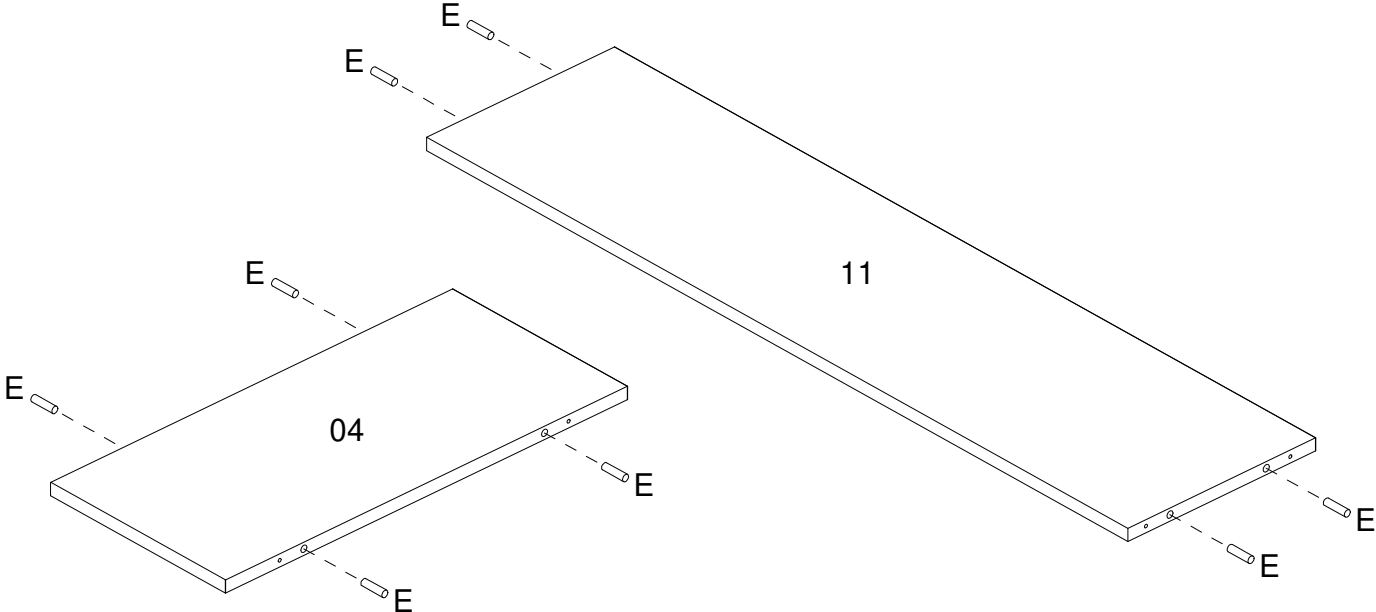
Hardware List		
Part	Description	Qty
A2	Small Plastic foot 	6
D	4,0 x 40 mm Screw 	2
E	8 x 30 mm Wooden Dowel 	20
F	8 x 50 mm Wooden Dowel 	4
G	Structural Screw 	16
H	Allen Key 	1
I	Structural Screw Cover 	16
J	Simple Minifix Screw 	10
L	Cam Lock 	10
M	Bore patch adhesive 	8
N	10 x 10 mm Tack 	6
O	4,5 x 45 mm Screw 	4
P6	Pass Wires 	2

**** You will need a small mallet and a screwdriver for assembly.**
**** Some screws and wooden dowel may remain.**

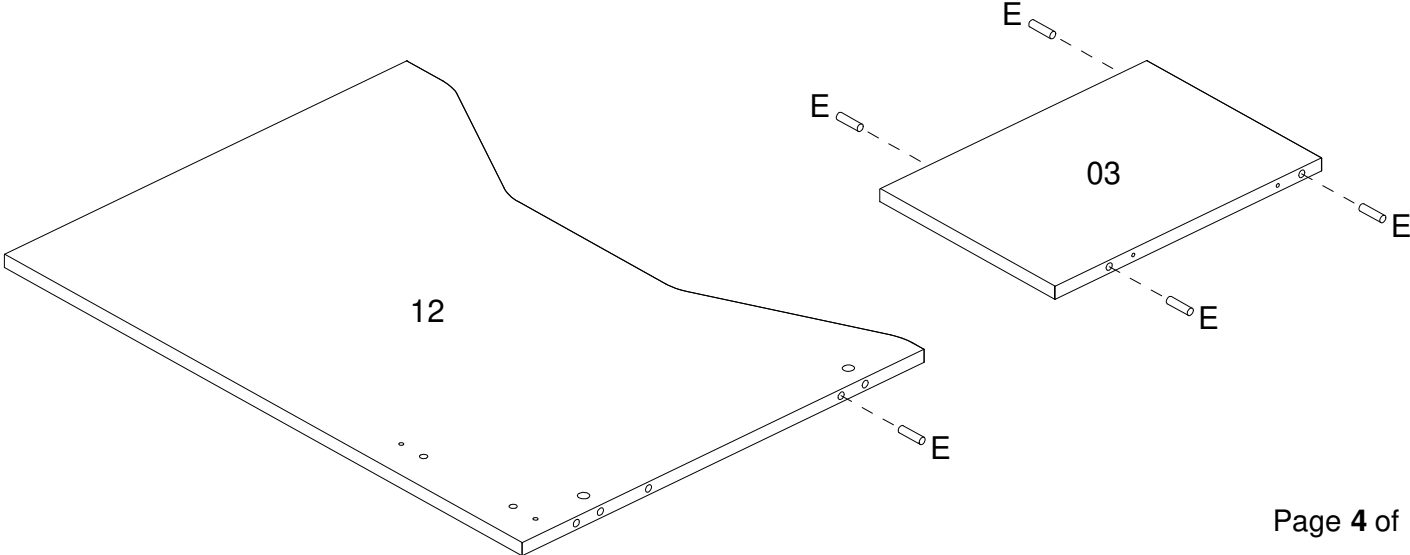
Step 1: Insert hardware parts E and F using small mallet (not provided).
DO NOT use any power tools as this may damage the frame and will invalidate any claim.



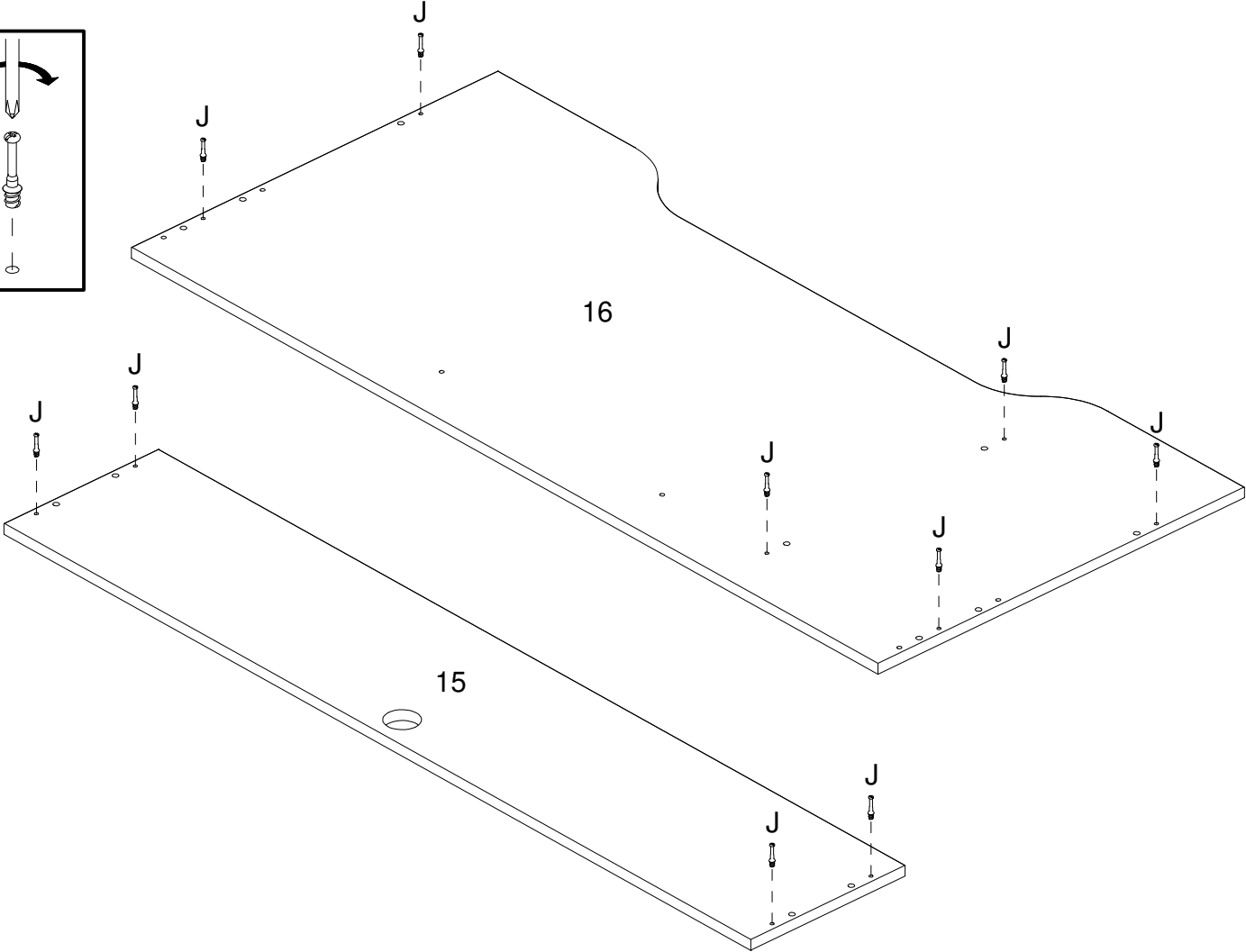
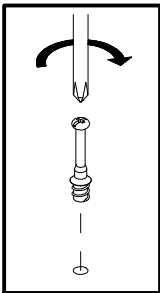
Step 2: Insert hardware part E using small mallet (not provided).
DO NOT use any power tools as this may damage the frame and will invalidate any claim.



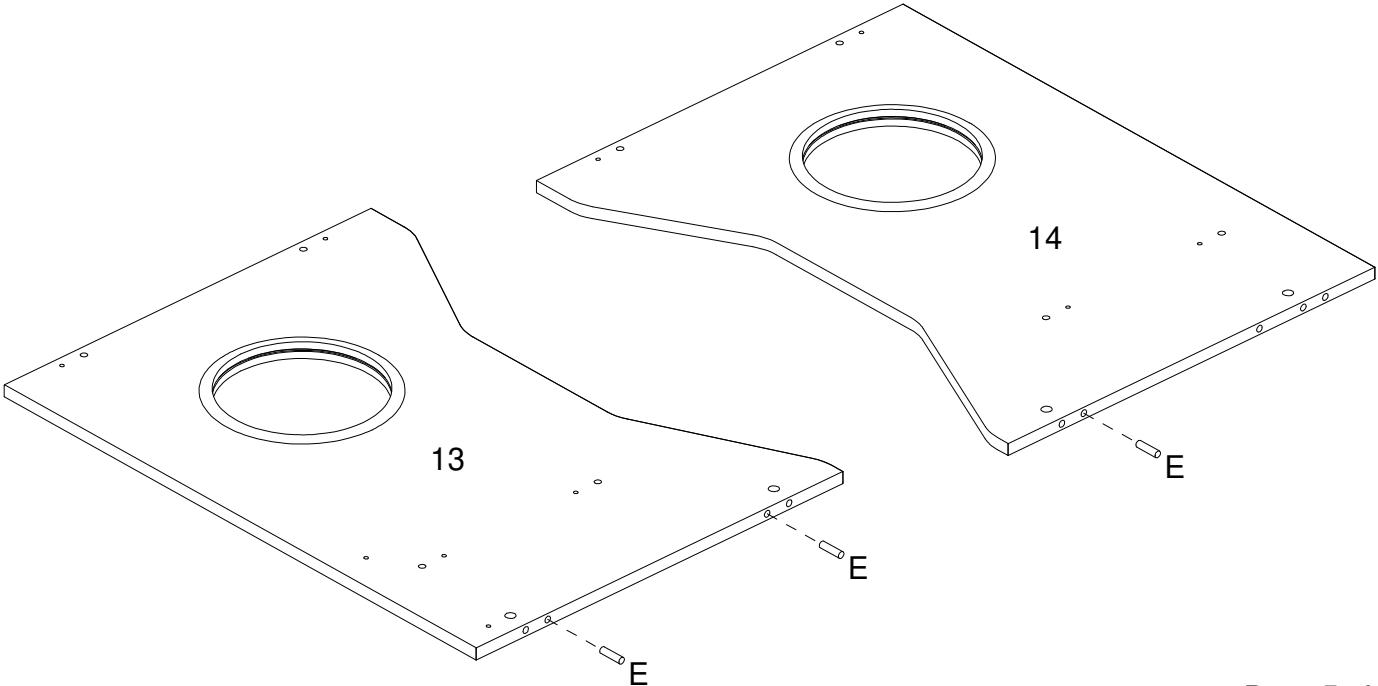
Step 3: Insert hardware part E using small mallet (not provided).
DO NOT use any power tools as this may damage the frame and will invalidate any claim.



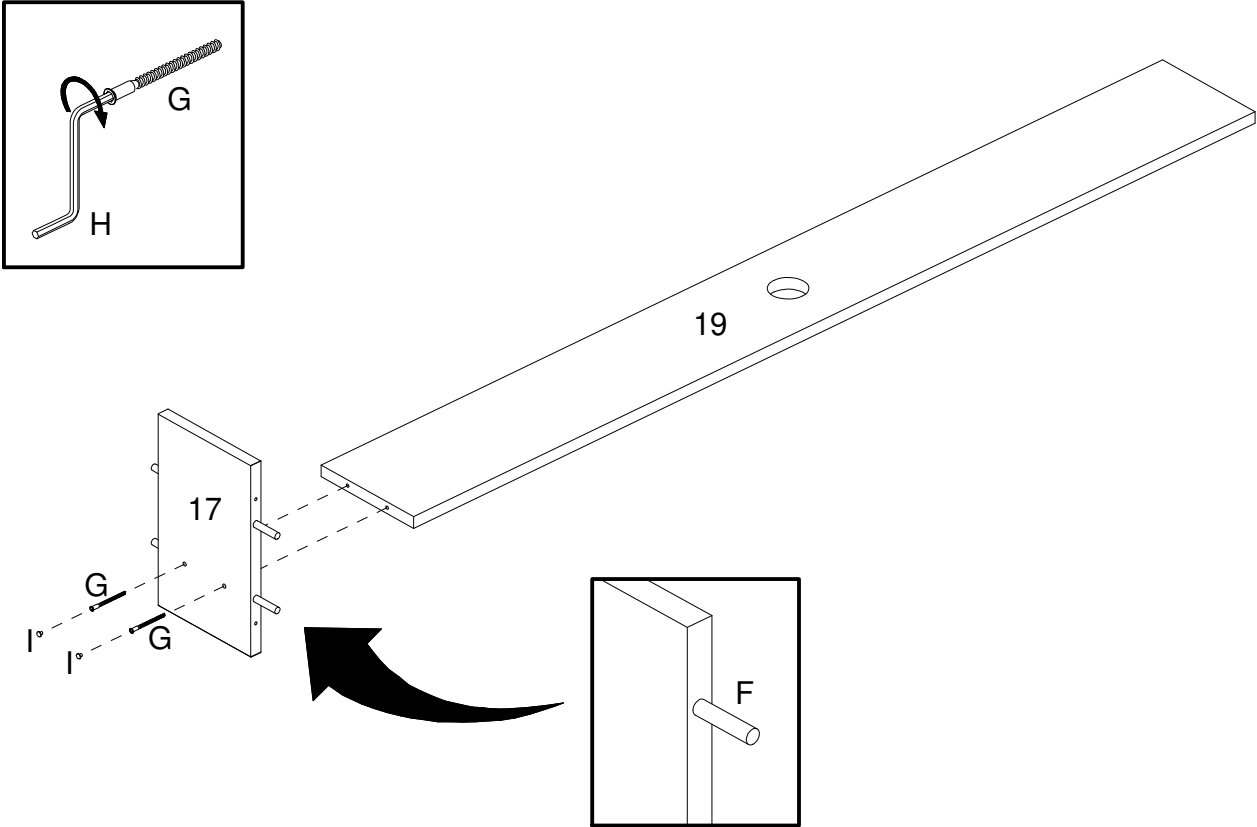
Step 4: Attach the hardware part J to the top base (15) and top (16) using the a screwdriver (not provided). **DO NOT use any power tools as this may damage the frame and will invalidate any claim.**



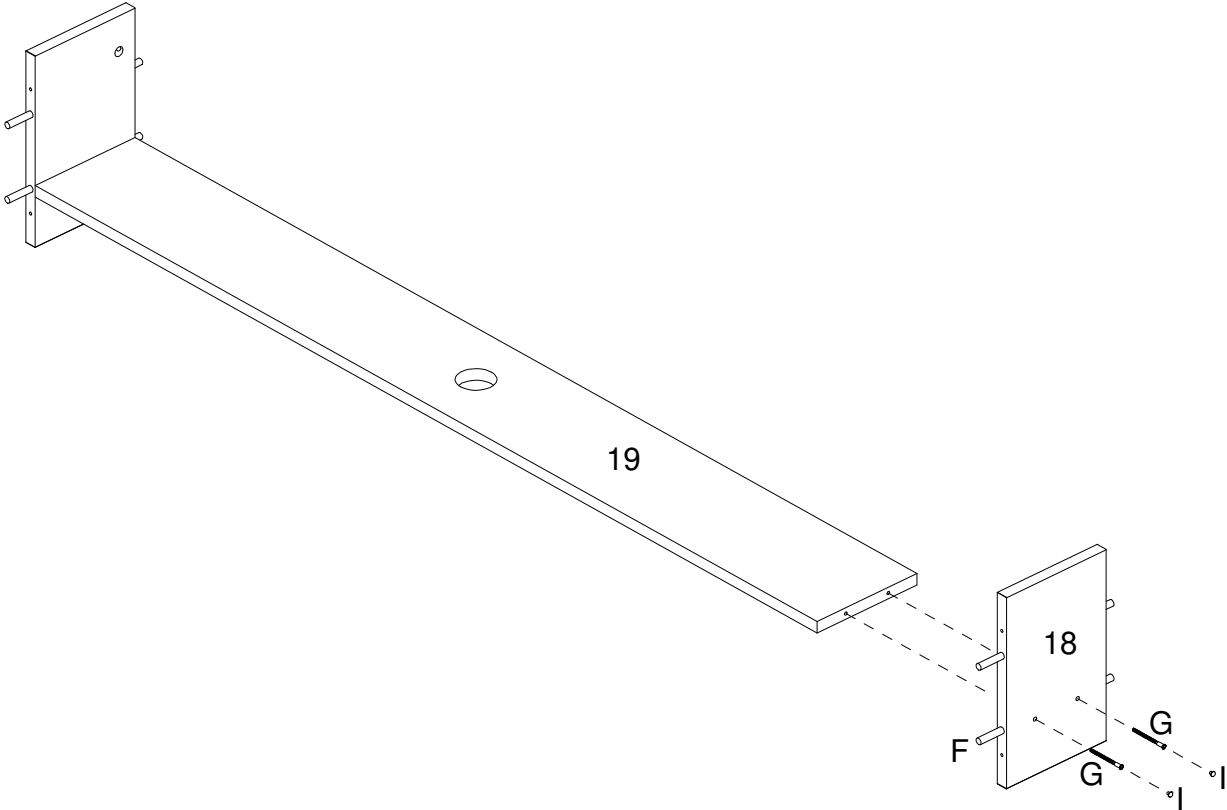
Step 5: Insert hardware part E using small mallet (not provided). **DO NOT use any power tools as this may damage the frame and will invalidate any claim.**



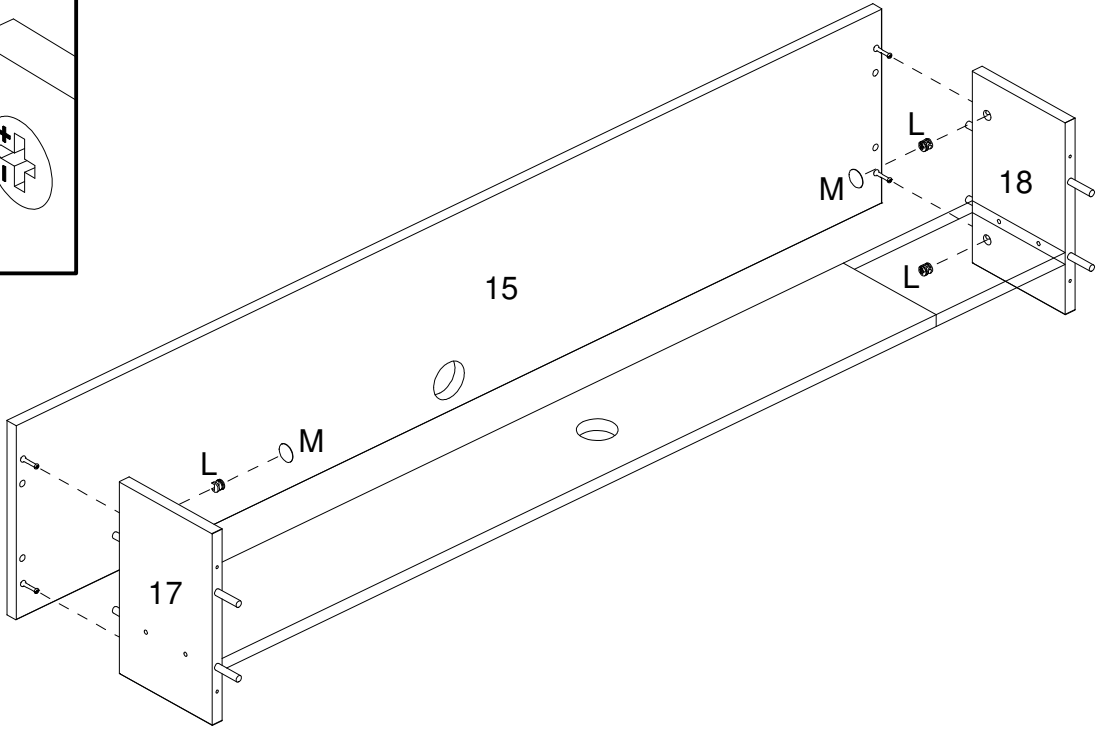
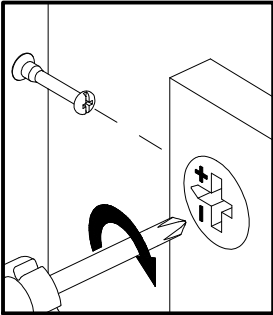
Step 6: Attach the upper left side (17) to the top backboard (19) using hardware part G, H and I. **DO NOT use any power tools as this may damage the frame and will invalidate any claim.**



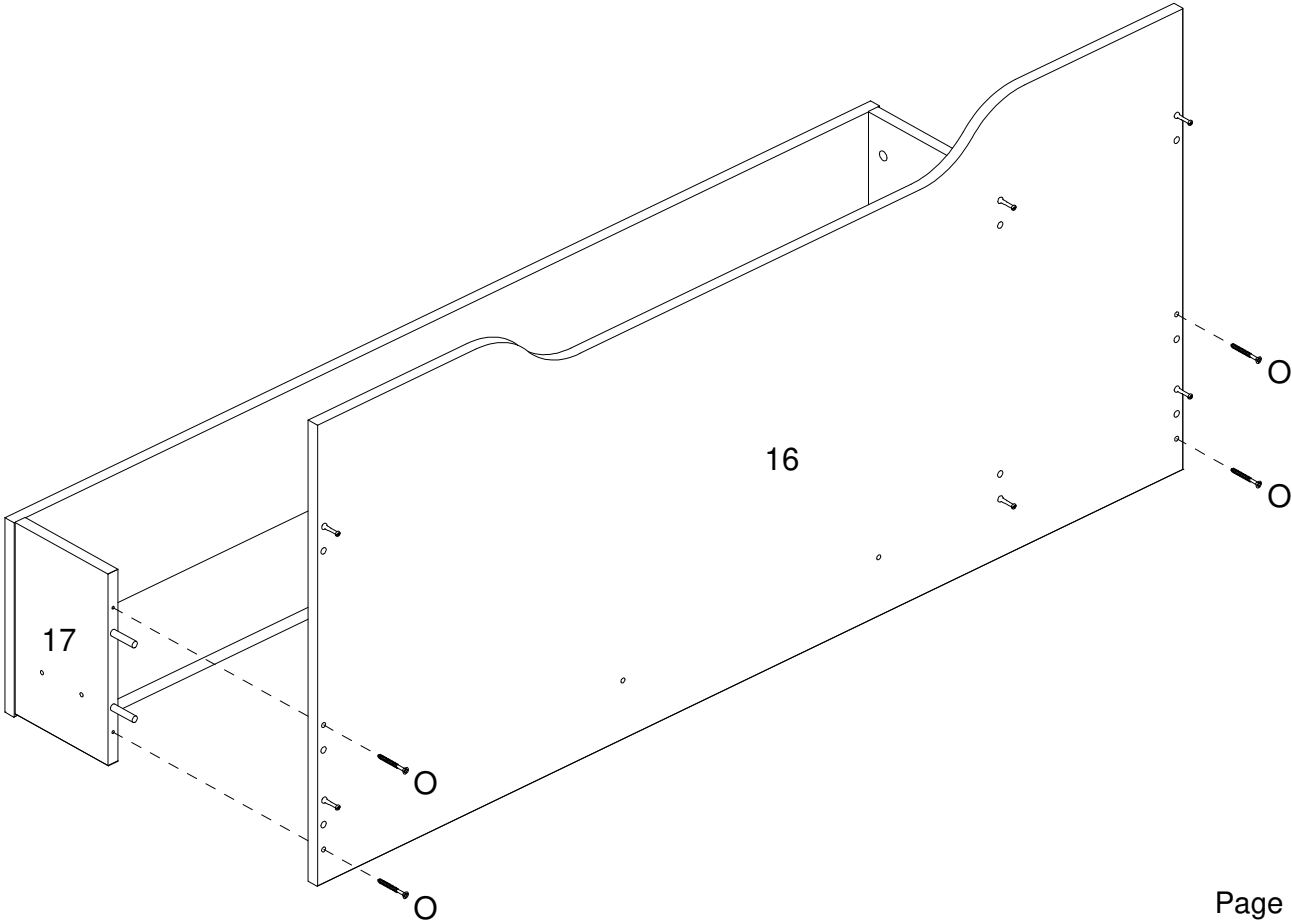
Step 7: Join the upper right side (18) to the assembled section using hardware part G, H and I. **DO NOT use any power tools as this may damage the frame and will invalidate any claim.**



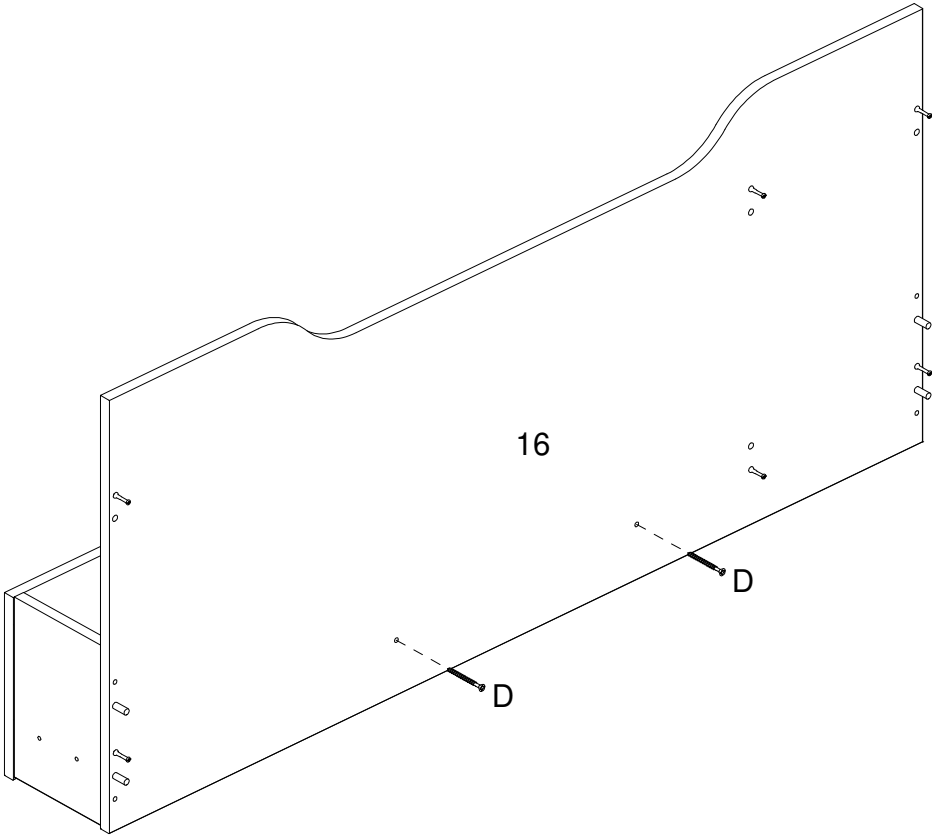
Step 8: Join the top base (15) to the assembled section using hardware part L and a screwdriver. Insert the hardware part M to the upper left side (17) and the upper right side (18).
DO NOT use any power tools as this may damage the frame and will invalidate any claim.



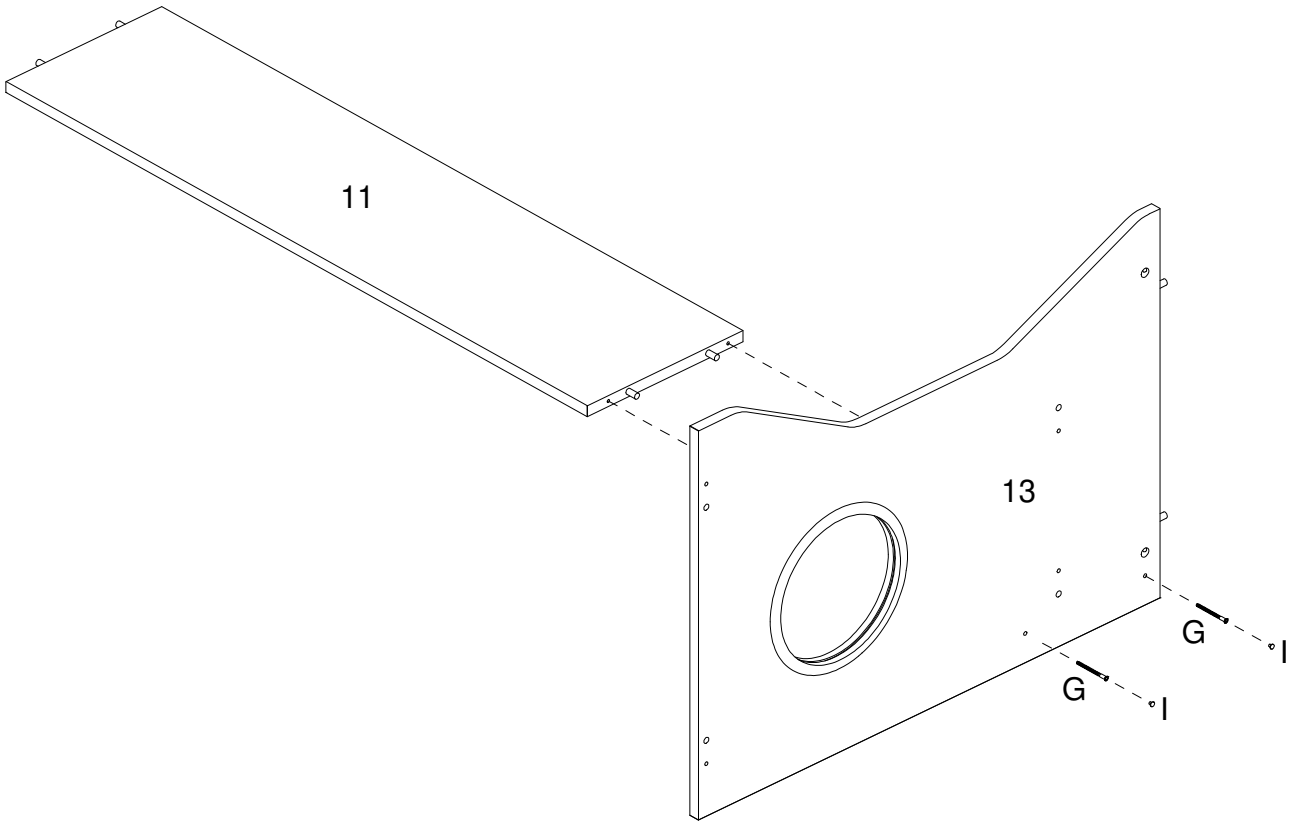
Step 9: Join the top (16) to the assembled section using hardware part O and a screwdriver (not provided).
DO NOT use any power tools as this may damage the frame and will invalidate any claim.



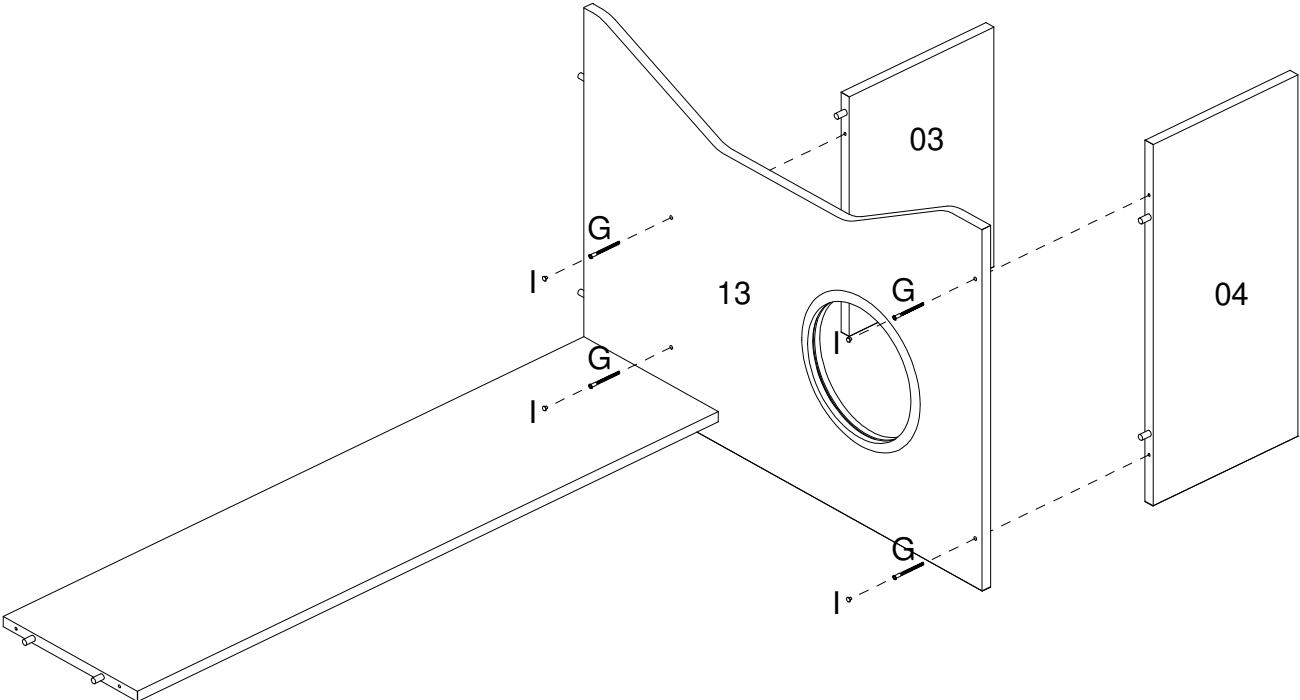
Step 10: Join the top (16) to the top backboard (19) using hardware part D and a screwdriver (not provided). **DO NOT use any power tools as this may damage the frame and will invalidate any claim.**



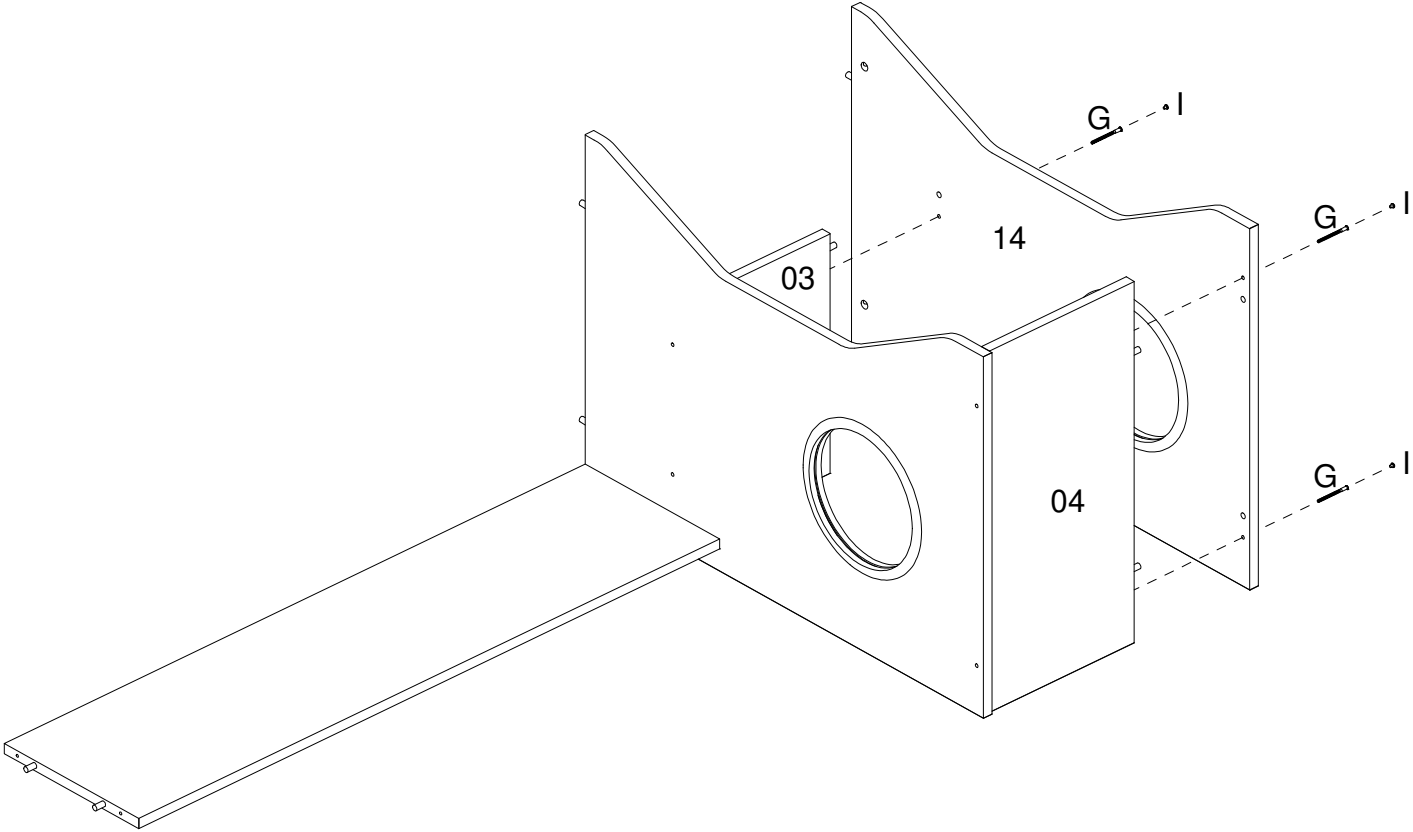
Step 11: Attach the lower division (13) to the lower backboard (11) using hardware part G, H and I. **DO NOT use any power tools as this may damage the frame and will invalidate any claim.**



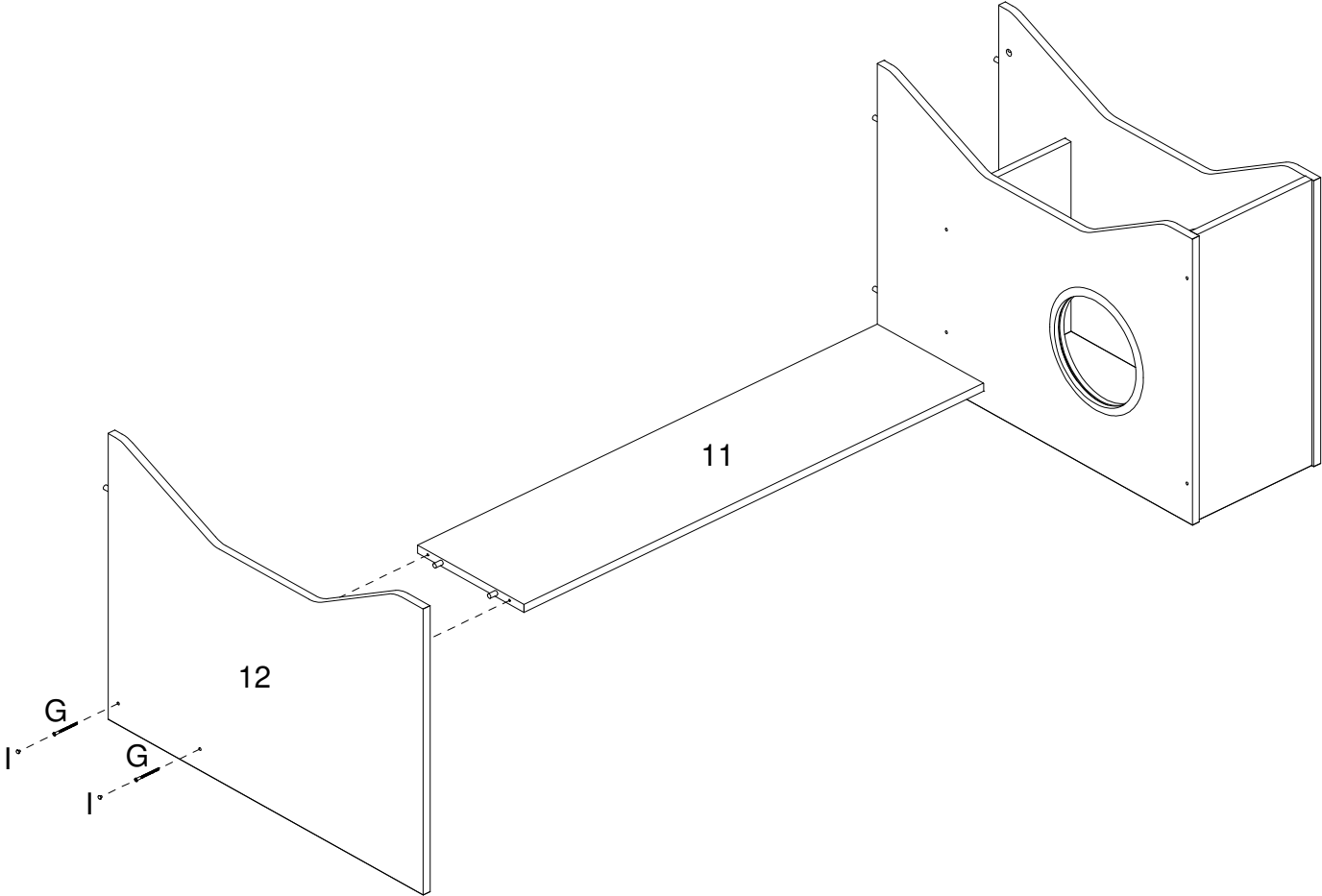
Step 12: Join the shelf (03) and bottom base (04) to the lower division (13) using hardware part G, H and I. **DO NOT use any power tools as this may damage the frame and will invalidate any claim.**



Step 13: Join the lower right side (14) to the shelf (03) and bottom base (04) using hardware part G, H and I. **DO NOT use any power tools as this may damage the frame and will invalidate any claim.**

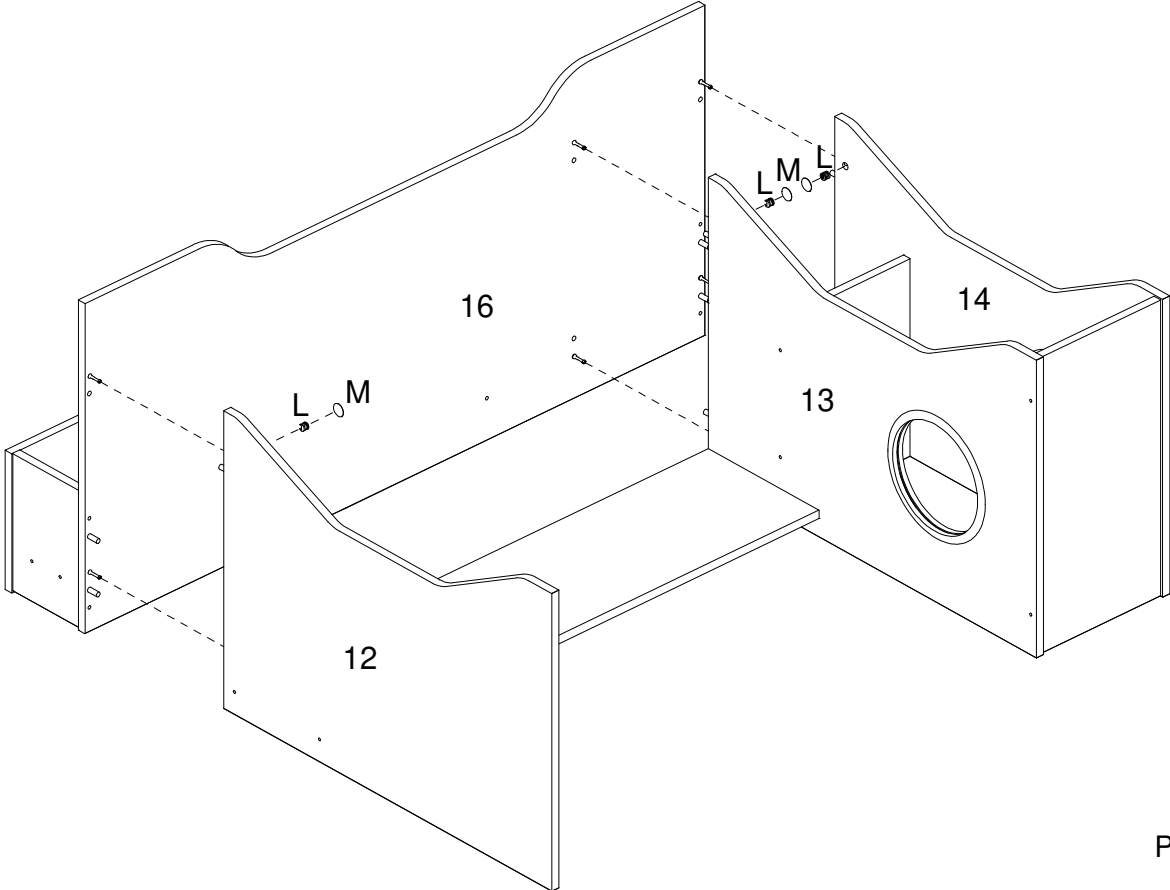


Step 14: Attach the lower left side (12) to the lower backboard (11) using hardware part G, H and I.
DO NOT use any power tools as this may damage the frame and will invalidate any claim.

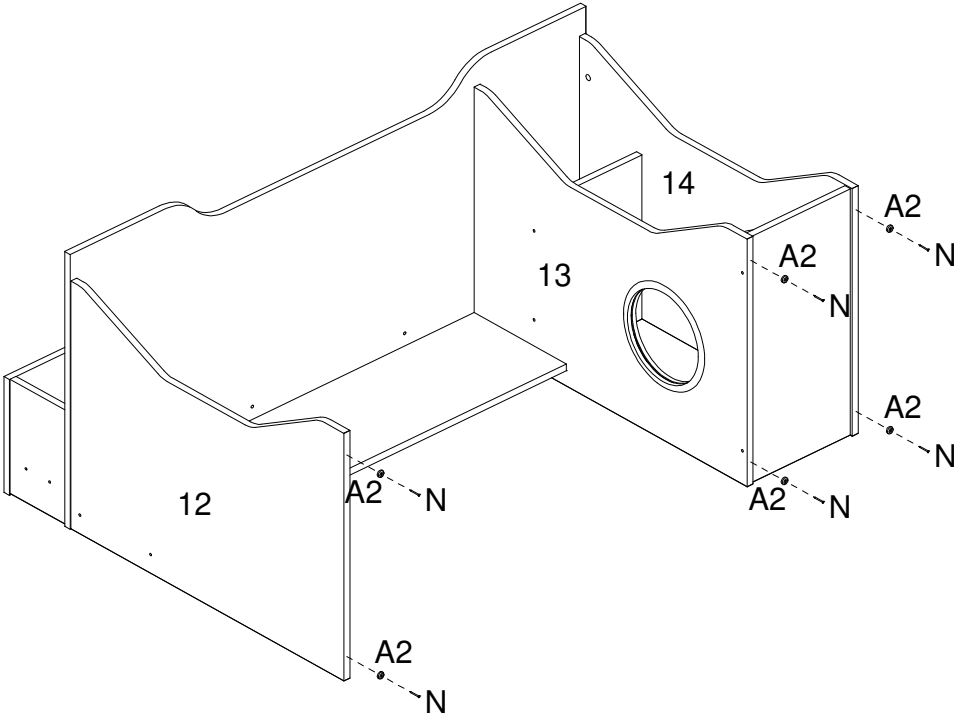


Step 15: Join the top (16) to the lower left side (12), lower division (13) and lower right side (14) using hardware part L and a screwdriver (not provided). Insert the hardware part M he lower left side (12), lower division (13) and lower right side (14).

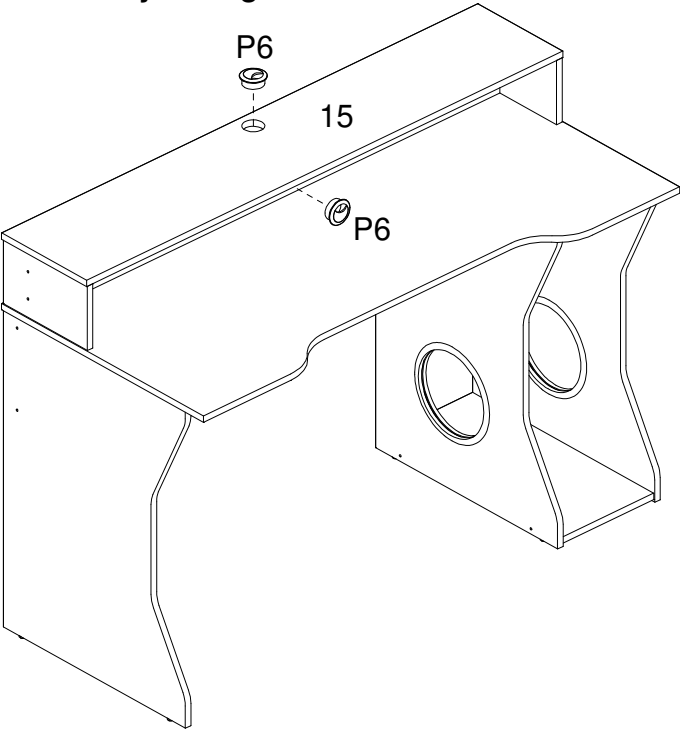
DO NOT use any power tools as this may damage the frame and will invalidate any claim.



Step 16: Attach hardware part A2 to the o the lower left side (12), lower division (13) and lower right side (14) using hardware part N and small mallet (not provided).
DO NOT use any power tools as this may damage the frame and will invalidate any claim.



Step 17: Insert hardware part P6 to the top base (15) and top backboard (19).
DO NOT use any power tools as this may damage the frame and will invalidate any claim.



Please dispose of all packaging safely.

General Care & Maintenance

Wipe clean with a slightly damp cloth.
Avoid the use of all household cleaners and abrasives.

Periodically check all screw & fixings to ensure they are secure.
When moving your product, carefully lift into place. Never drag or push the product across the floor as this will cause damage to the joints. If the product is used on hard flooring, such as wood or laminated floor, you must place some protection under the legs to stop the product from moving. If this is not adhered to, it could result in failure to the product that will invalidate the warranty.

For more information on cleaning and product care visit:
<https://www.happybeds.co.uk/help-and-advice>

Notes

We've tried to make this product as easy to assemble as possible. In the unlikely event that you have problems putting it together or have damaged or missing pieces, please contact us by visiting:

<https://www.happybeds.co.uk/customer-service>



www.happybeds.co.uk

