



Assembly Instructions

Important before assembly:

Read these instructions carefully before assembling or using the product.

Please check the contents of the boxes before attempting to assemble this product. The instructions will have a checklist of parts and fittings.

Assemble the product as close to its intended final location/room as possible.

Health & Safety:

This product or some parts of this product will be heavy. Please use an assistant when lifting.

Please keep small parts out of reach of children.

Always use on a level, even surface.

DO NOT jump on the product or any of its parts.

DO NOT use this product if any parts are missing, damaged or worn.

DO NOT use this product unless all fixings are secured.

Further instructions are on the following pages.

Please keep these instructions for future reference.



(Not metal)

These tools are not necessary, but may help to assemble certain parts of the product.

Do NOT use any power tools as this may damage the frame.



This product or some parts of this product will be heavy. Please use an assistant when lifting.



Never drag or push the pieces across a hard or stone floor as this will cause damage to the joints. Use a carpet or a rug for extra care.






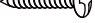





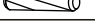







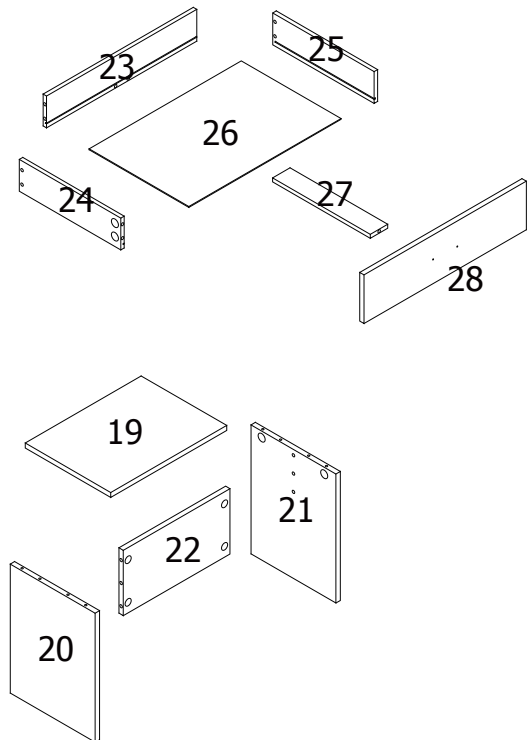
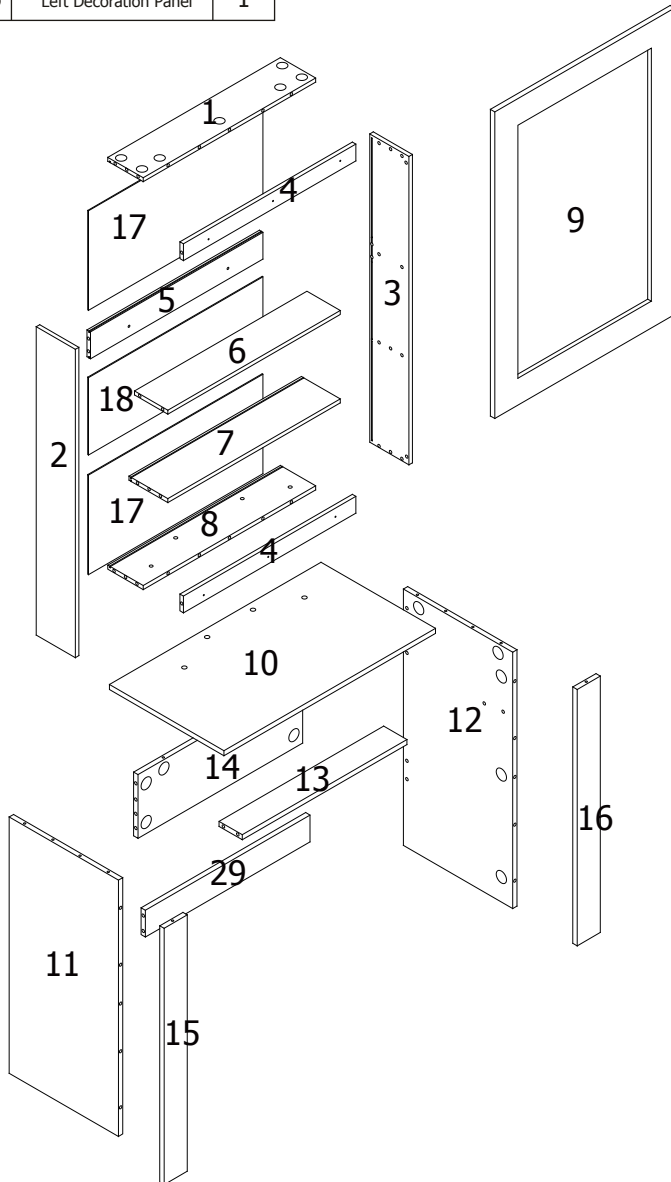
If you have problems assembling or have damaged or missing pieces, please contact us by visiting:

<https://www.happybeds.co.uk/customer-service>

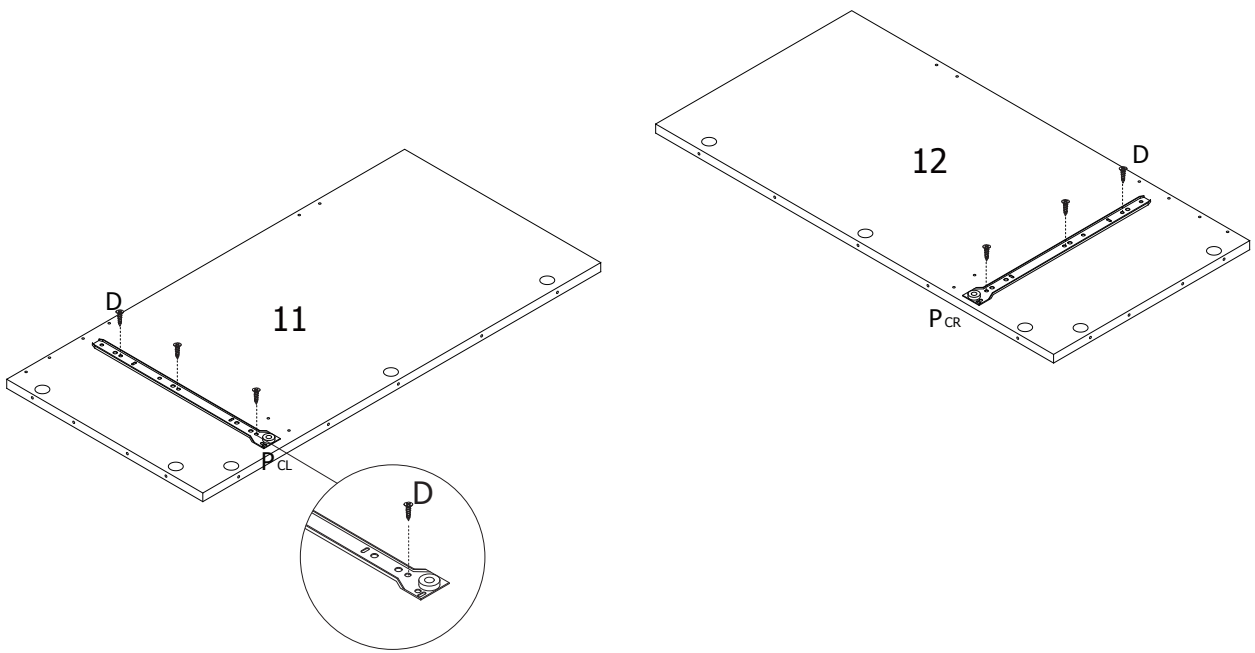
PART LIST		
Part	Item	Qty
1	Upper Top Panel	1
2	Upper Left Side Panel	1
3	Upper Right Side Panel	1
4	Horizontal Stretcher	2
5	Rear Horizontal Stretcher	1
6	Shelf	1
7	Shelf	1
8	Shelf	1
9	Door With Mirror	1
10	Table Top	1
11	Left Side Panel	1
12	Right Side Panel	1
13	Horizontal Stretcher	1
14	Table Part Back Panel	1
15	Left Decoration Panel	1

PART LIST		
Part	Item	Qty
16	Right Decoration Panel	1
17	Back Panel	2
18	Middle Back Panel	1
19	Stool Top Panel	1
20	Stool Left Side Panel	1
21	Stool Right Side Panel	1
22	Stool Back Panel	1
23	Drawer Back Panel	1
24	Drawer Left Side Panel	1
25	Drawer Right Side Panel	1
26	Drawer Bottom Panel	1
27	Drawer Vertical Stretcher	1
28	Drawer Front Panel	1
29	Table Rear Stretcher	1

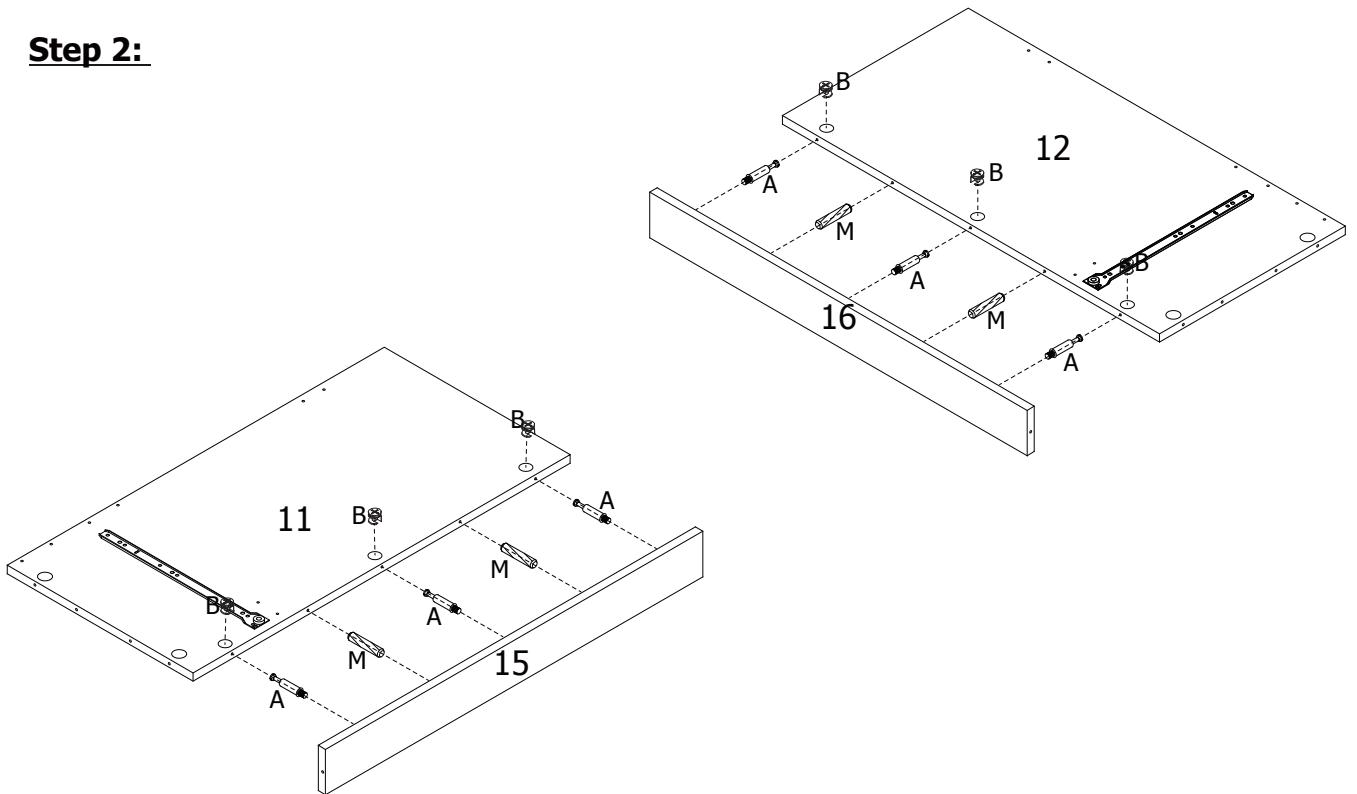
HARDWARE LIST		
Part	Item	Qty
A		59
B		59
C		8
D		26
E		4
F		4
G		4
H		2
I		1
J		4
K		4
L		10
M		38
N		8
O		8
P	 CL DL DR CR	1
Q		2



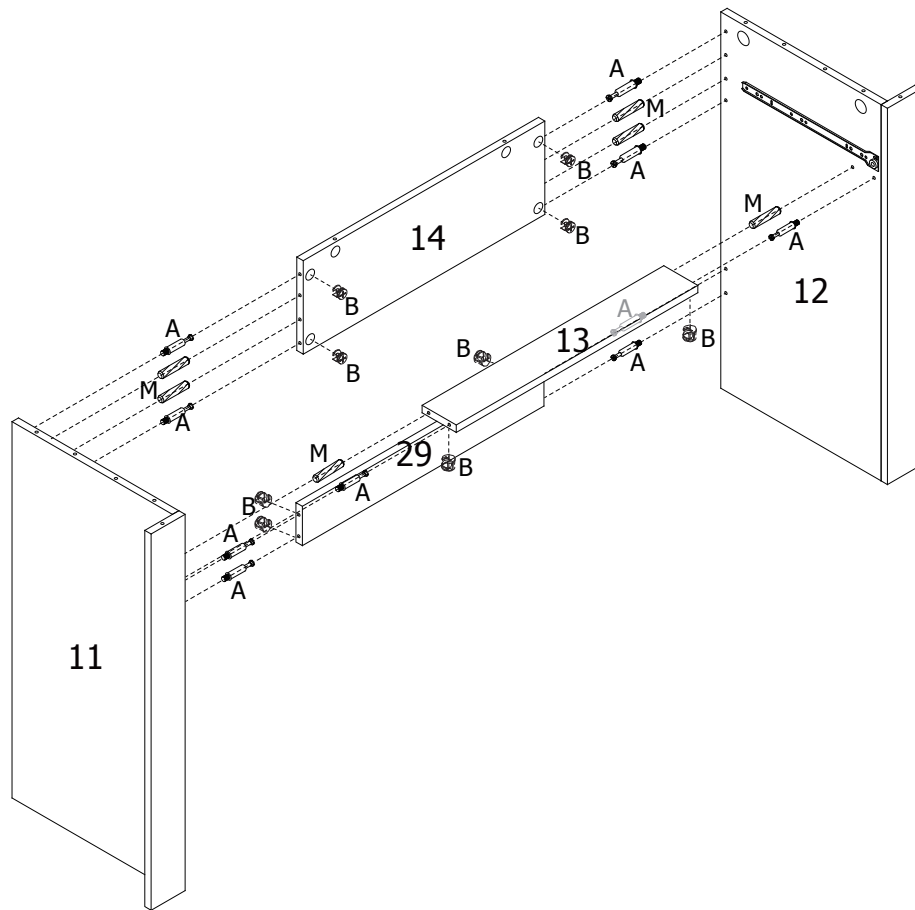
Step 1:



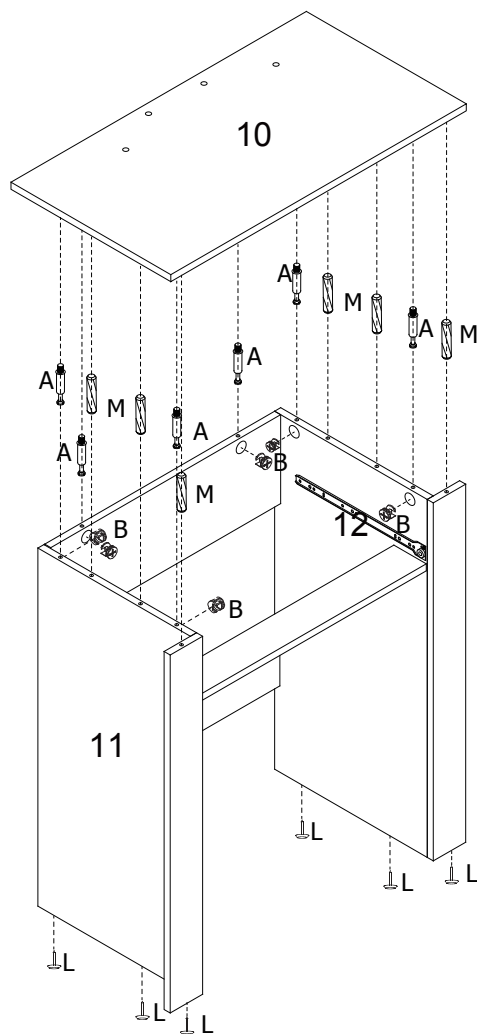
Step 2:



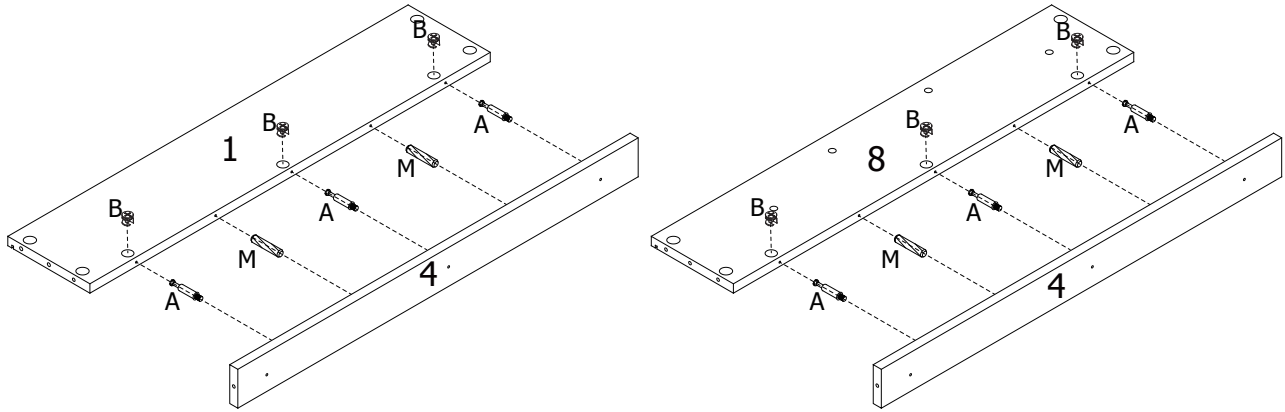
Step 3:



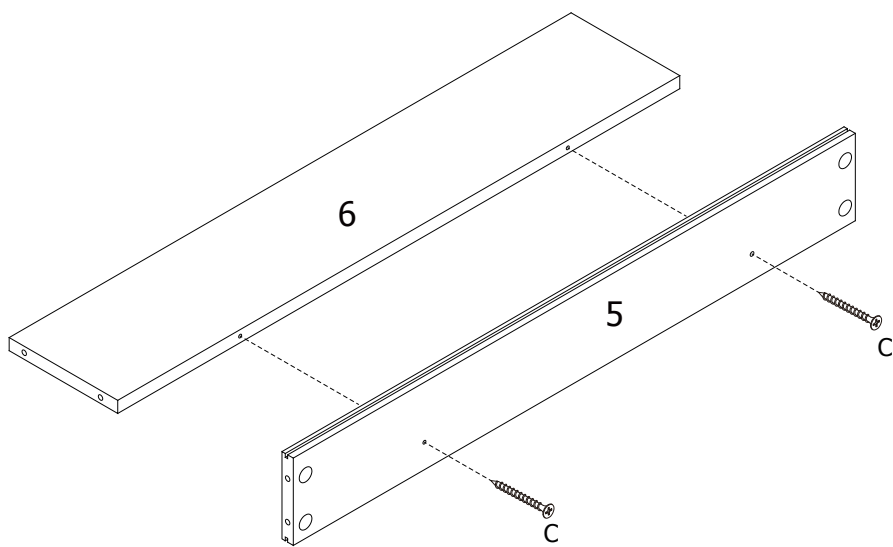
Step 4:



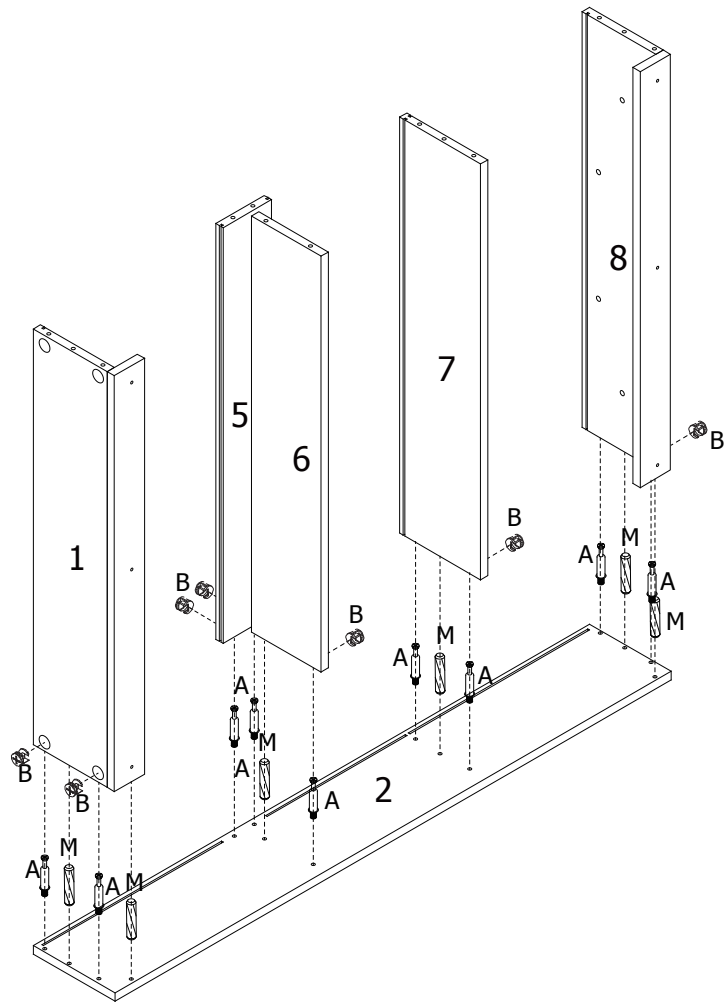
Step 5:



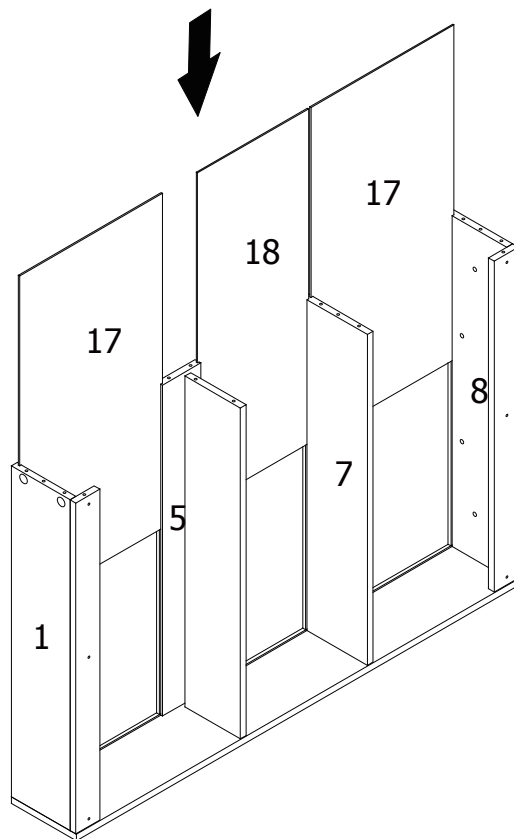
Step 6:



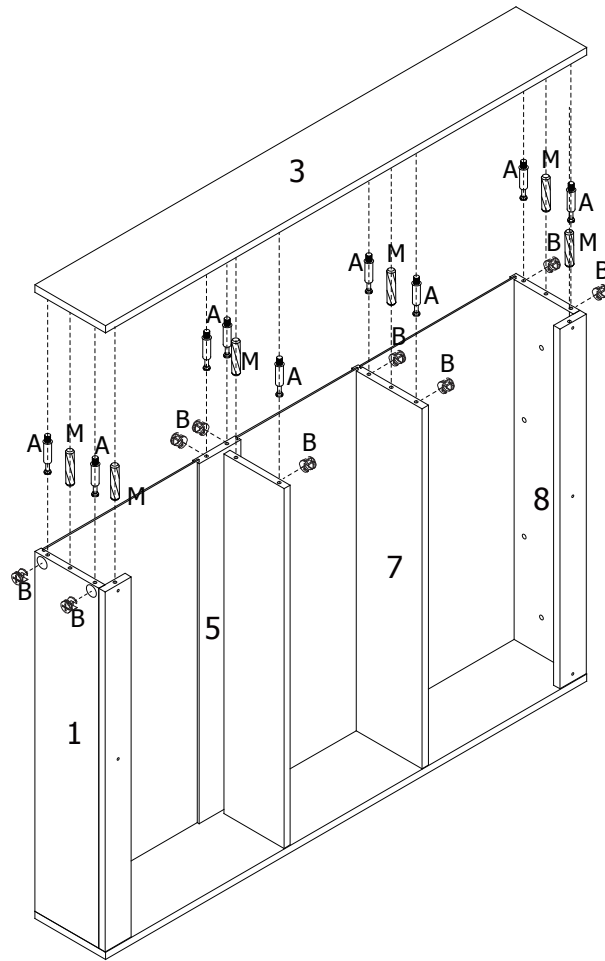
Step 7:



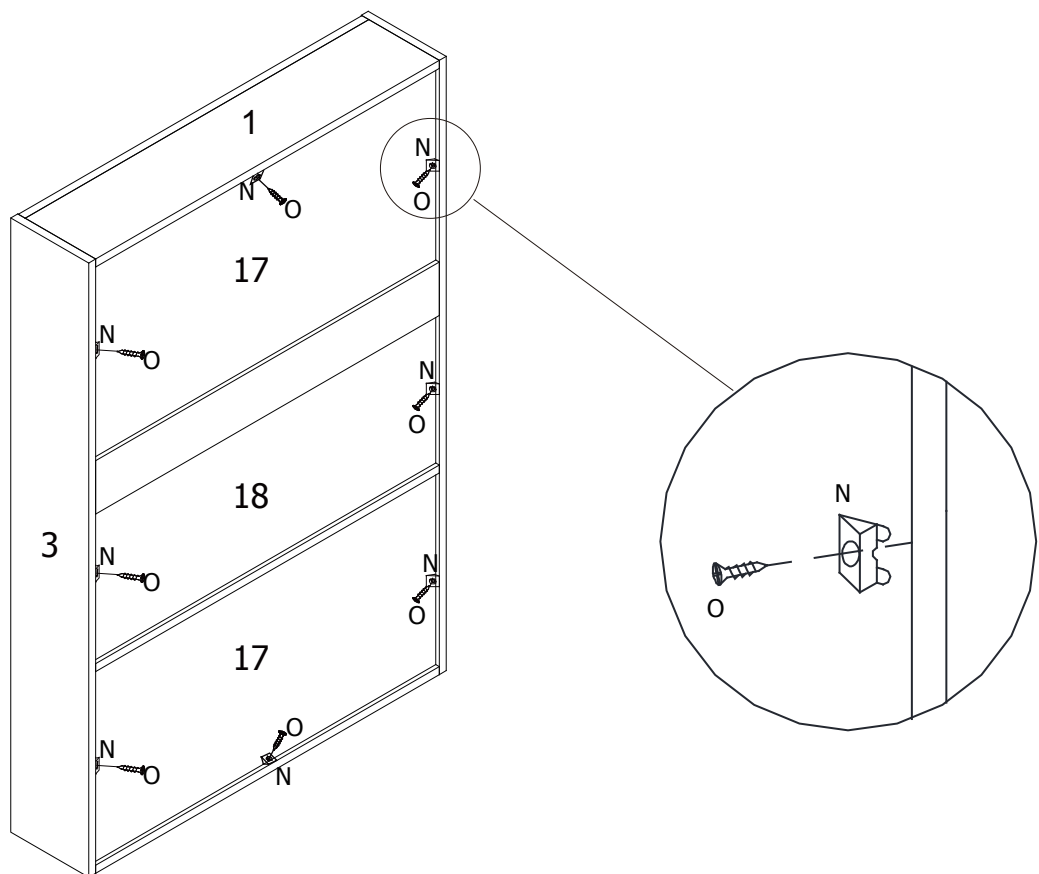
Step 8:



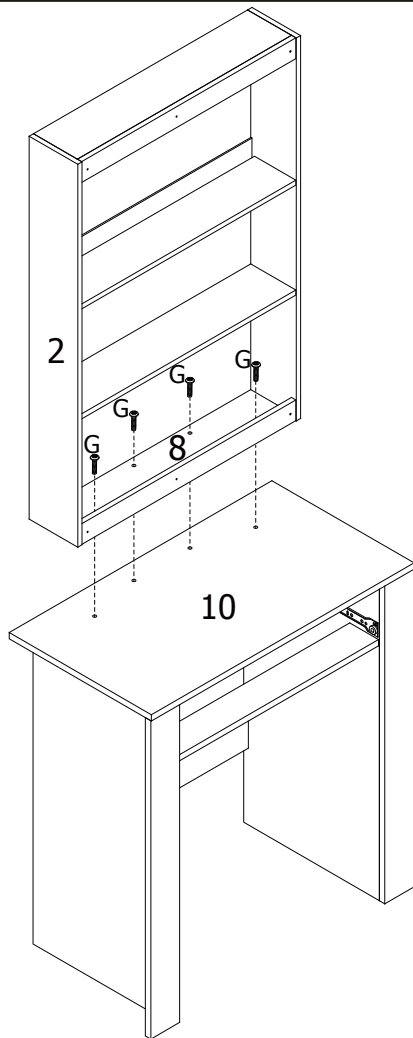
Step 9:



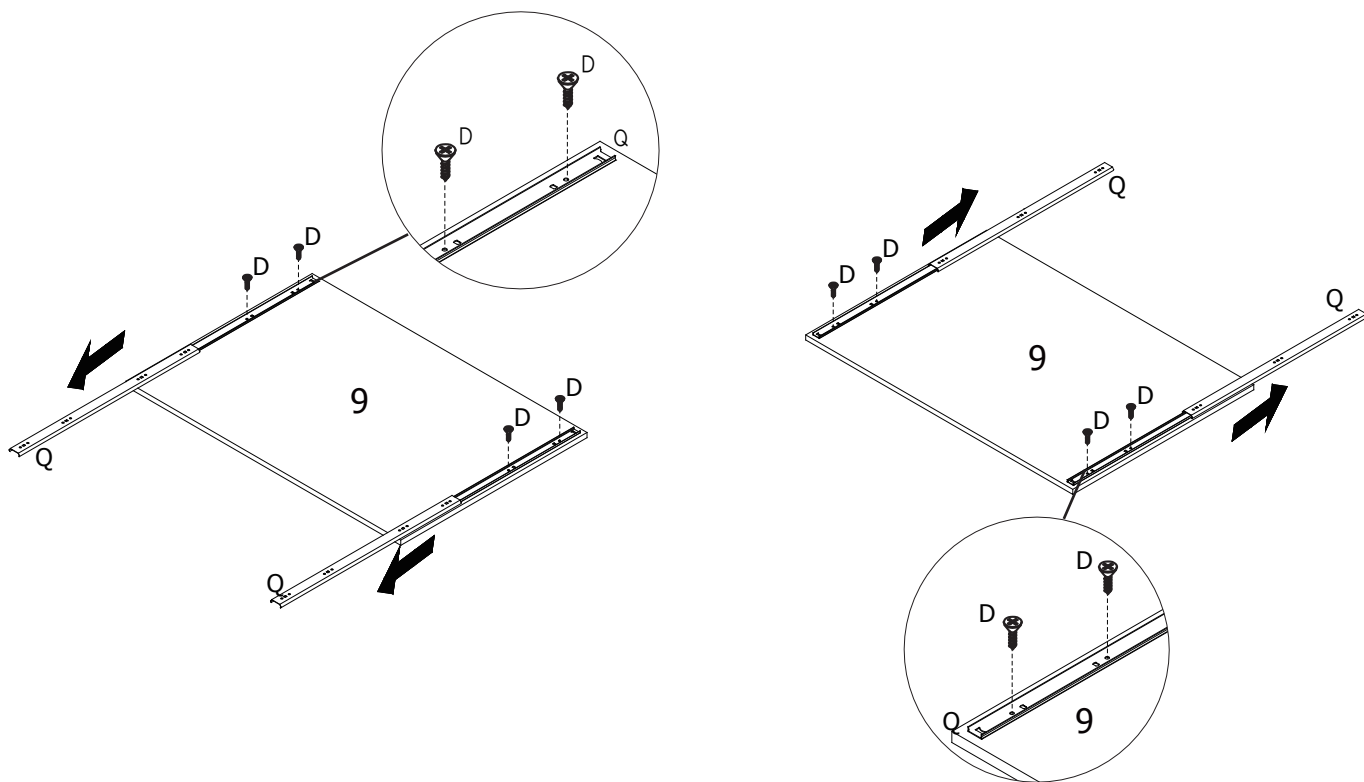
Step 10:



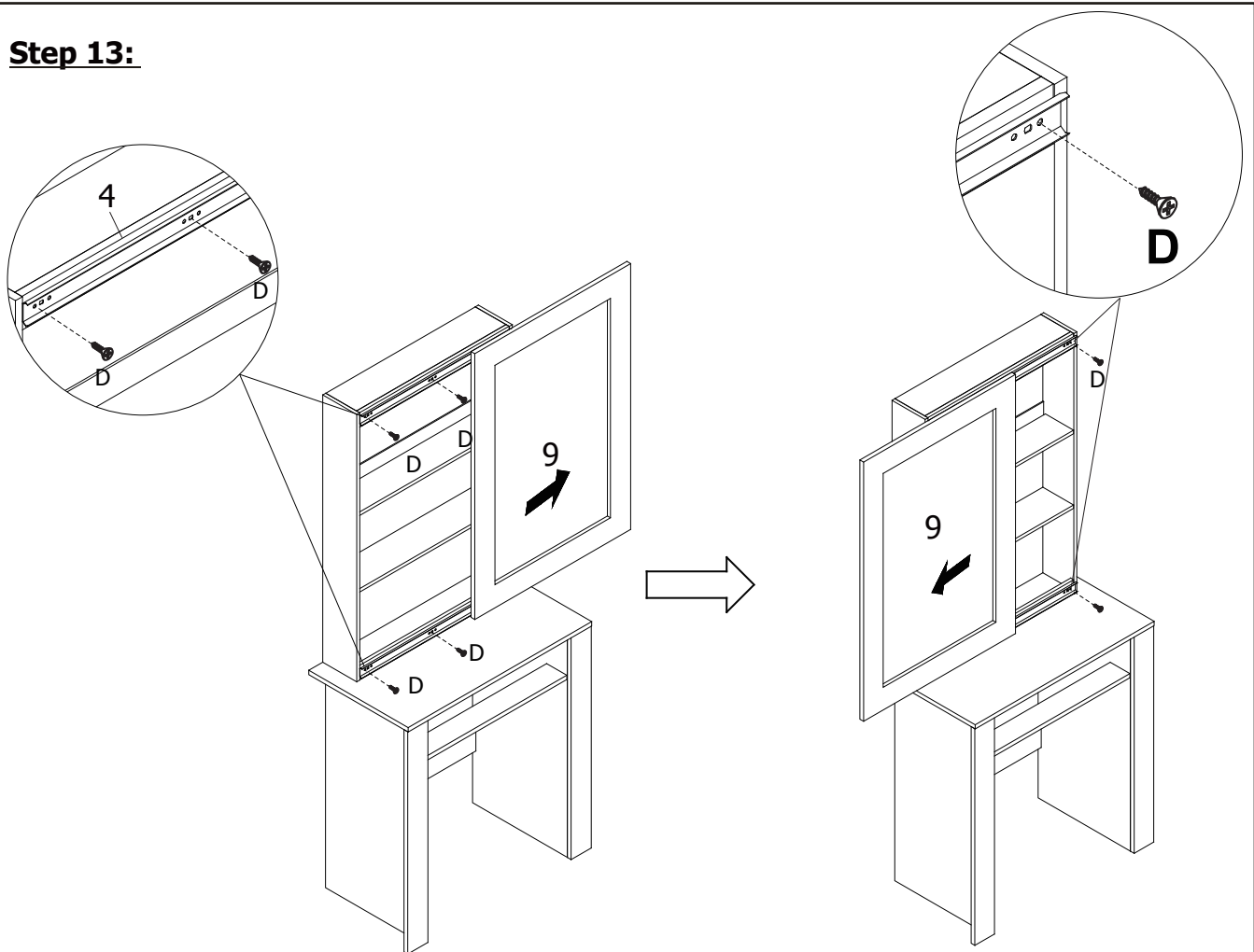
Step 11:



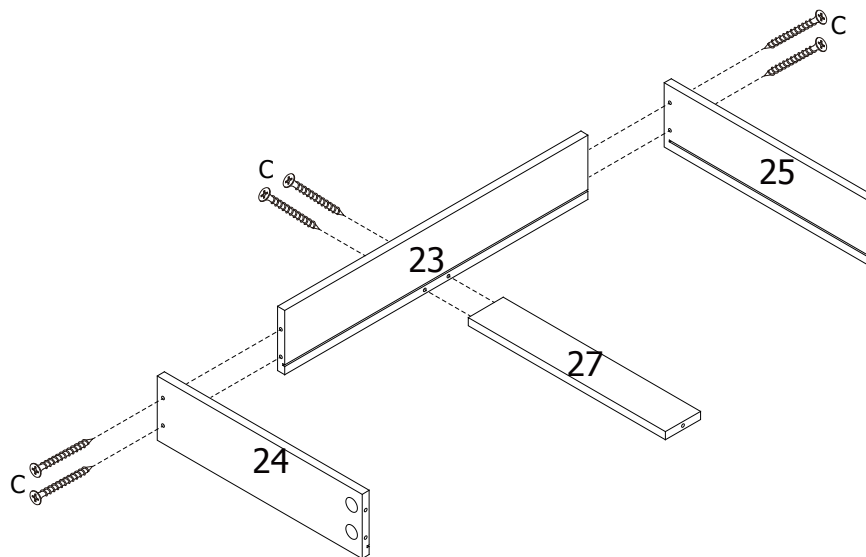
Step 12:



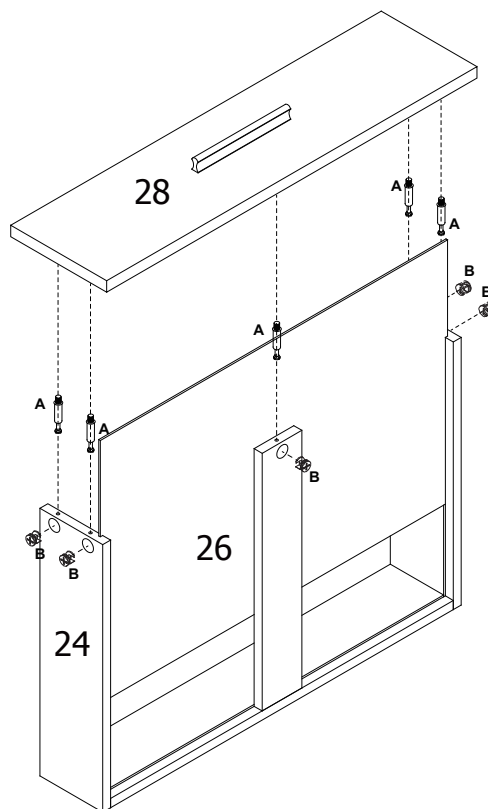
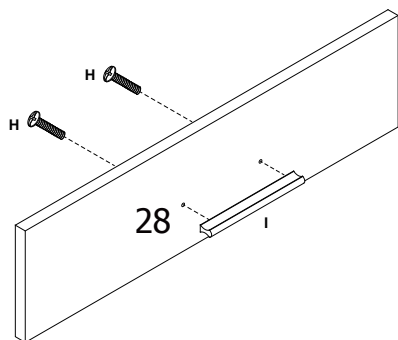
Step 13:



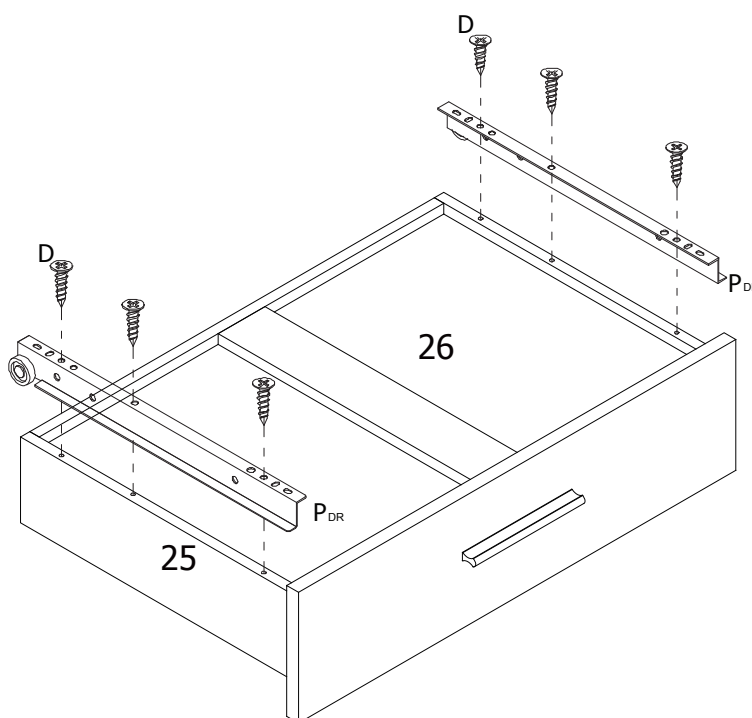
Step 14:



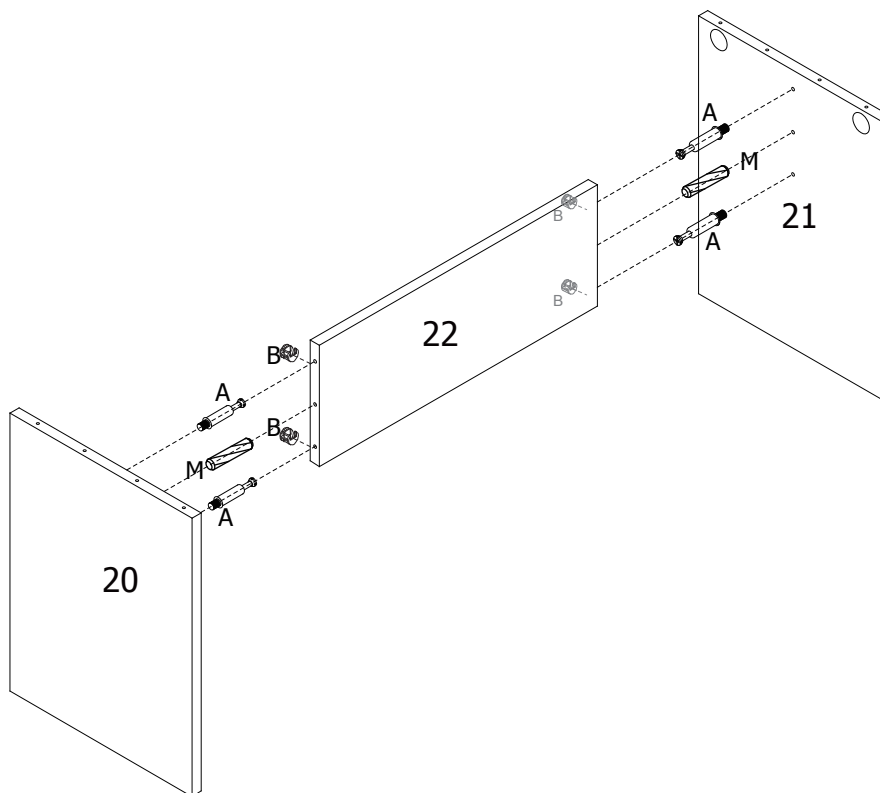
Step 15:



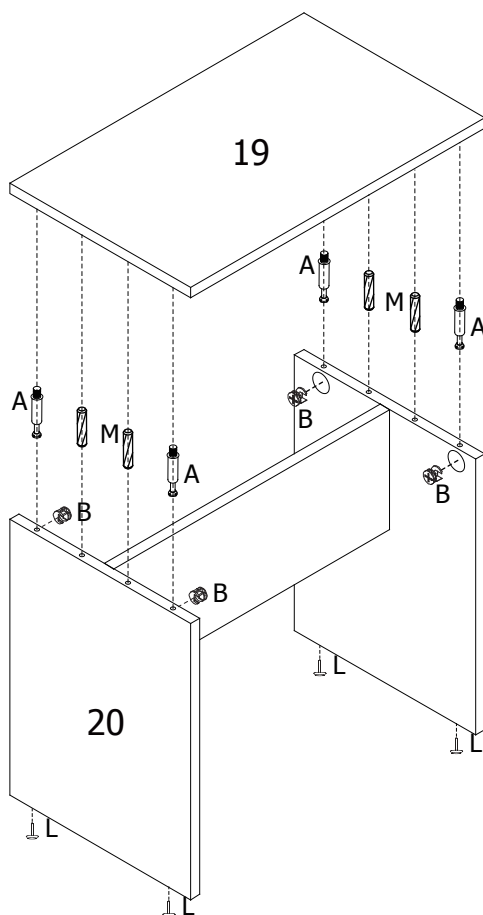
Step 16:



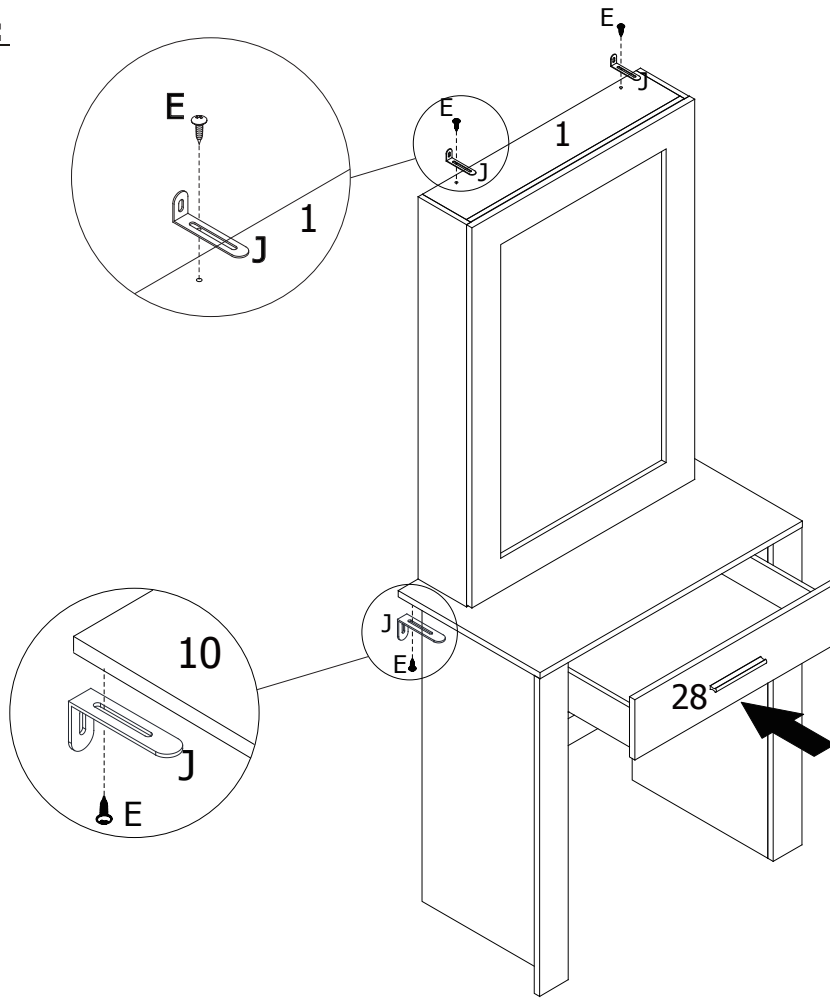
Step 17:



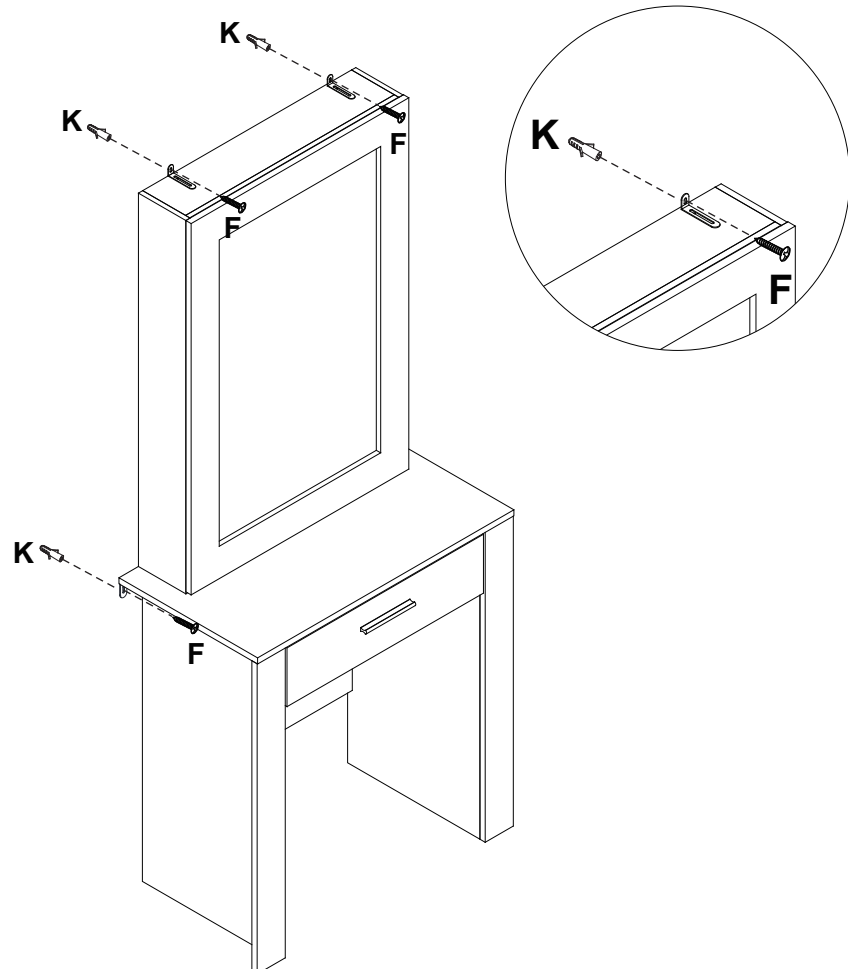
Step 18:



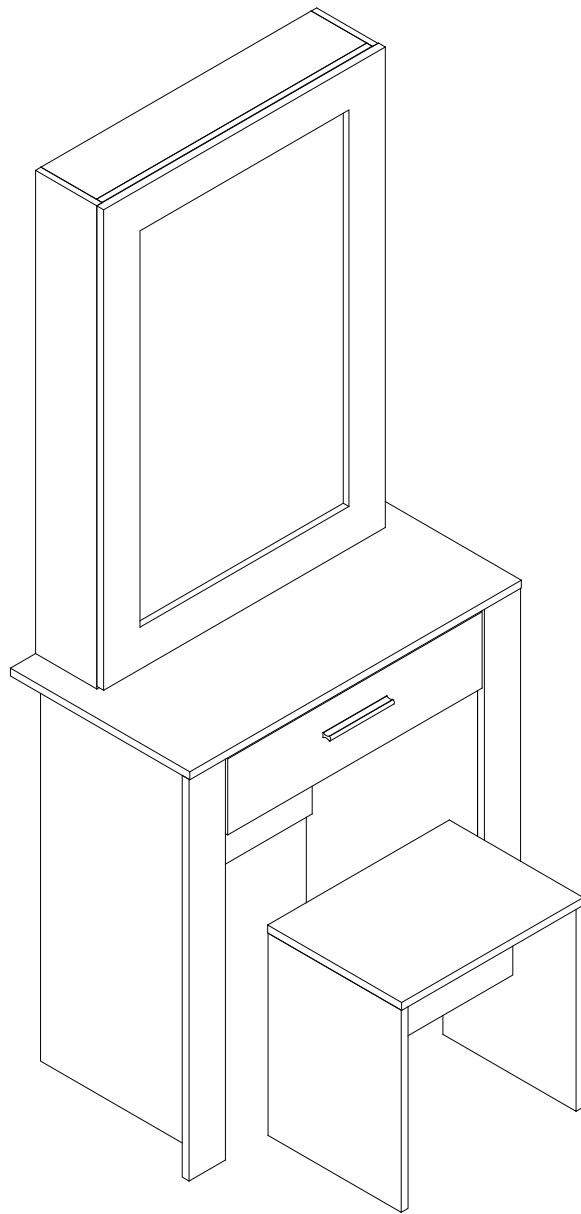
Step 19:



Step 20:



Step 21:



Please dispose of all packaging safely.

General Care & Maintenance

Wipe clean with a slightly damp cloth.
Avoid the use of all household cleaners and abrasives.

Periodically check all screw & fixings to ensure they are secure.

When moving your product, carefully lift into place. Never drag or push the product across the floor as this will cause damage to the joints. If the product is used on hard flooring, such as wood or laminated floor, you must place some protection under the legs to stop the product from moving. If this is not adhered to, it could result in failure to the product that will invalidate the warranty.

For more information on cleaning and product care visit:
<https://www.happybeds.co.uk/help-and-advice>

Notes

In the unlikely event that you have problems putting this product together or have damaged or missing parts, please contact us by visiting:
<https://www.happybeds.co.uk/customer-service>