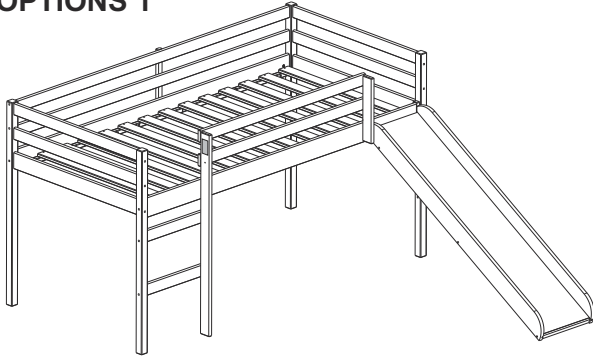
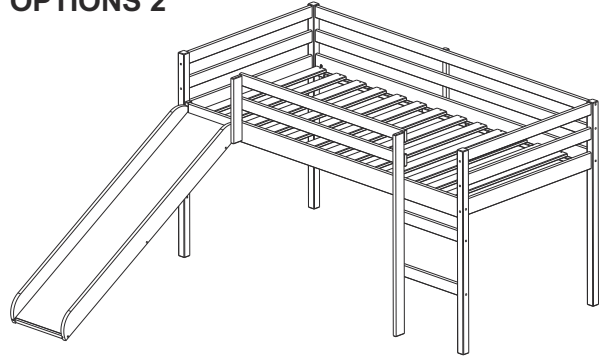


OPTIONS 1



OPTIONS 2



Assembly Instructions

Important before assembly:

Read these instructions carefully before assembling or using the product.

Please check the contents of the boxes before attempting to assemble this product. The instructions will have a checklist of parts and fittings.

Assemble the product as close to its intended final location/room as possible.

Health & Safety:

This product or some parts of this product will be heavy. Please use an assistant when lifting.

Please keep small parts out of reach of children.

Always use on a level, even surface.

DO NOT jump on the product or any of its parts.

DO NOT use this product if any parts are missing, damaged or worn.

DO NOT use this product unless all fixings are secured.

Further instructions are on the following pages.

Please keep these instructions for future reference.



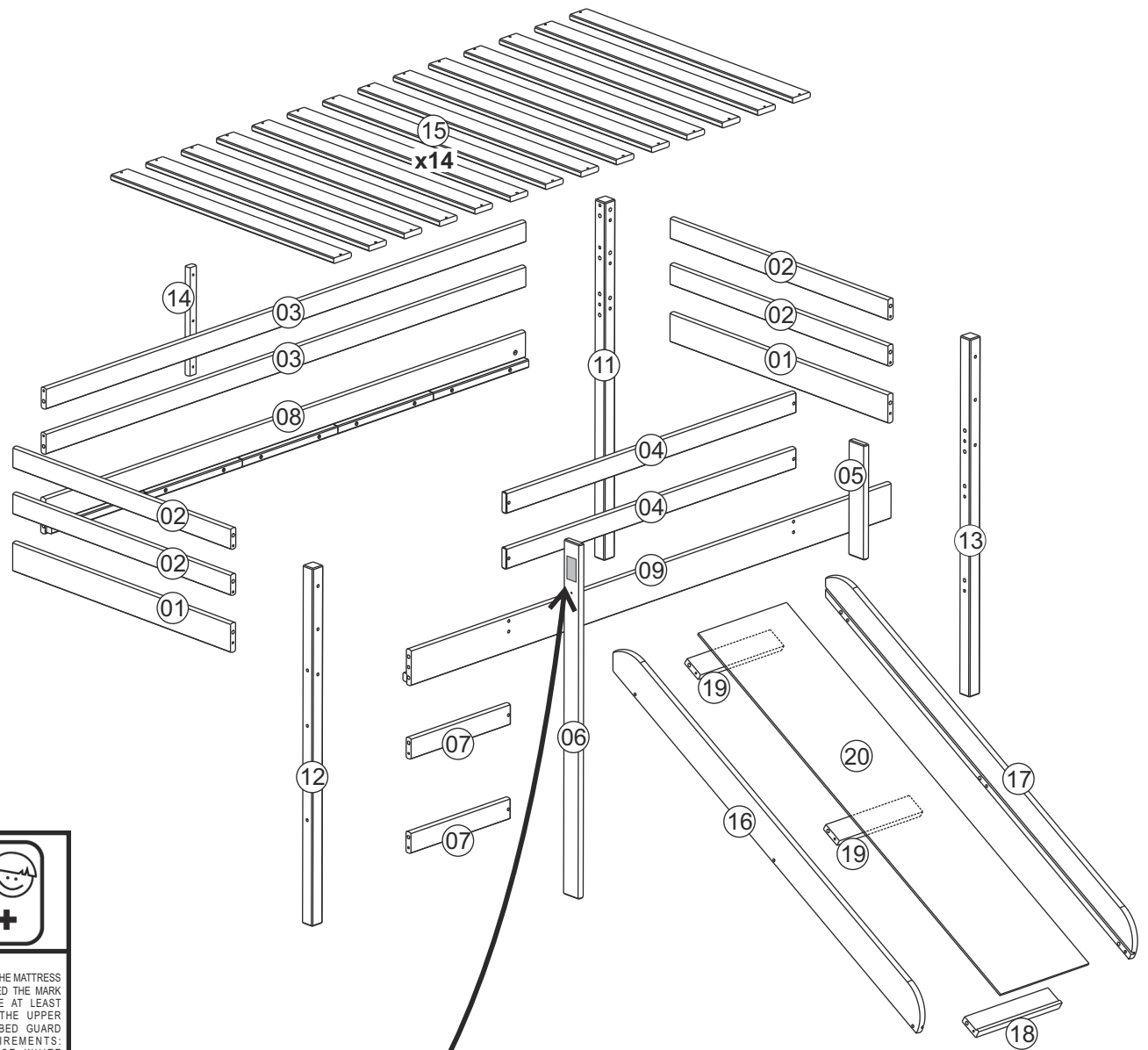
This product or some parts of this product will be heavy. Please use an assistant when lifting.



Never drag or push the pieces across a hard or stone floor as this will cause damage to the joints. Use a carpet or a rug for extra care.



If you have problems assembling or have damaged or missing pieces, please contact our customer services (details at the back of these instructions)

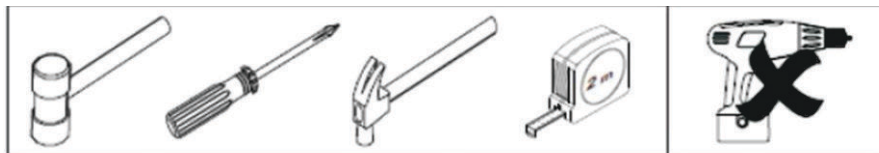


THE TOP SIDE OF THE MATTRESS SHALL NOT EXCEED THE MARK AND HAS TO BE AT LEAST 160MM UNDER THE UPPER EDGE OF THE BED GUARD SAFETY REQUIREMENTS: IN ACCORDANCE WITH NF EN 747 1&2 + A1: 2015 RECOMMENDED MINIMUM AGE 6 YEARS. BE AWARE OF THE DANGER OF YOUNG CHILDREN (UNDER 6) FALLING FROM THE UPPER BED.

MODEL: FRANKIE MIDI SLEEPER WITH SLIDE
ORDER NUMBER: 000000

DISTRIBUTOR:
BIRLEA FURNITURE LTD

MAXIMUM MATTRESS HEIGHT



Parts List		
Part	Description	Qty
01	End Rails	2
02	End Rails	4
03	Back Guard Rail	2
04	Front Guard Rail	2
05	Support Front Guard Rail	1
06	Ladder Rail	1
07	Step	2
08	Back Side Rail	1
09	Front Side Rail	1
10	Left Back Foot	1
11	Right Back Foot	1
12	Left Front Foot	1
13	Right Front Foot	1
14	Rail support	1
15	Slat	14
16	Left Slide Rail	1
17	Right Slide Rail	1
18	Slide support	1
19	Slide support	2
20	Base Slide	1

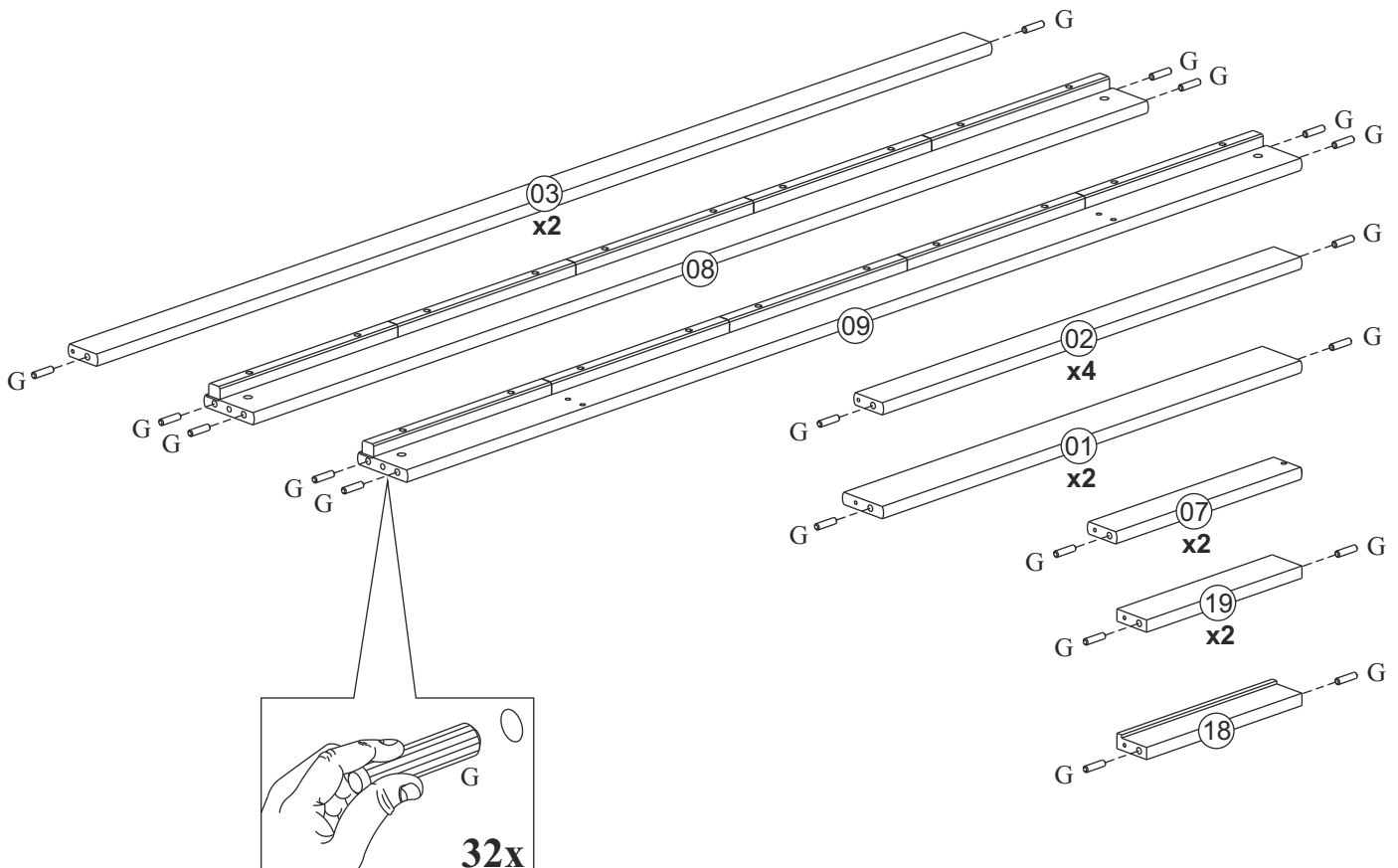
Parts List		
Part	Description	Qty
A	1/4" x 90mm Bolt	4
B	Barrel Nut	4
C	7 x 80mm Bolt	18
D	7 x 60mm Bolt	10
E	7 x 50mm Bolt	6
F	4 x 35mm Screw	31
G	10 x 40mm Wooden Dowel	32
H	Allen Key	1
I	70 x 17mm Spacer Block	2
J	4 x 20mm Screw	6
K	Ø8 Cover Hole	4
L	Ø10 Cover Hole	2
M	Hook Ladder <small>cod.2080/23</small>	2
N	Protector Felt	2

CAUTION

Parts K & L are small parts and can be a choke hazard. These are for decorative purpose only so if you are concerned Please leave out of the assembly.

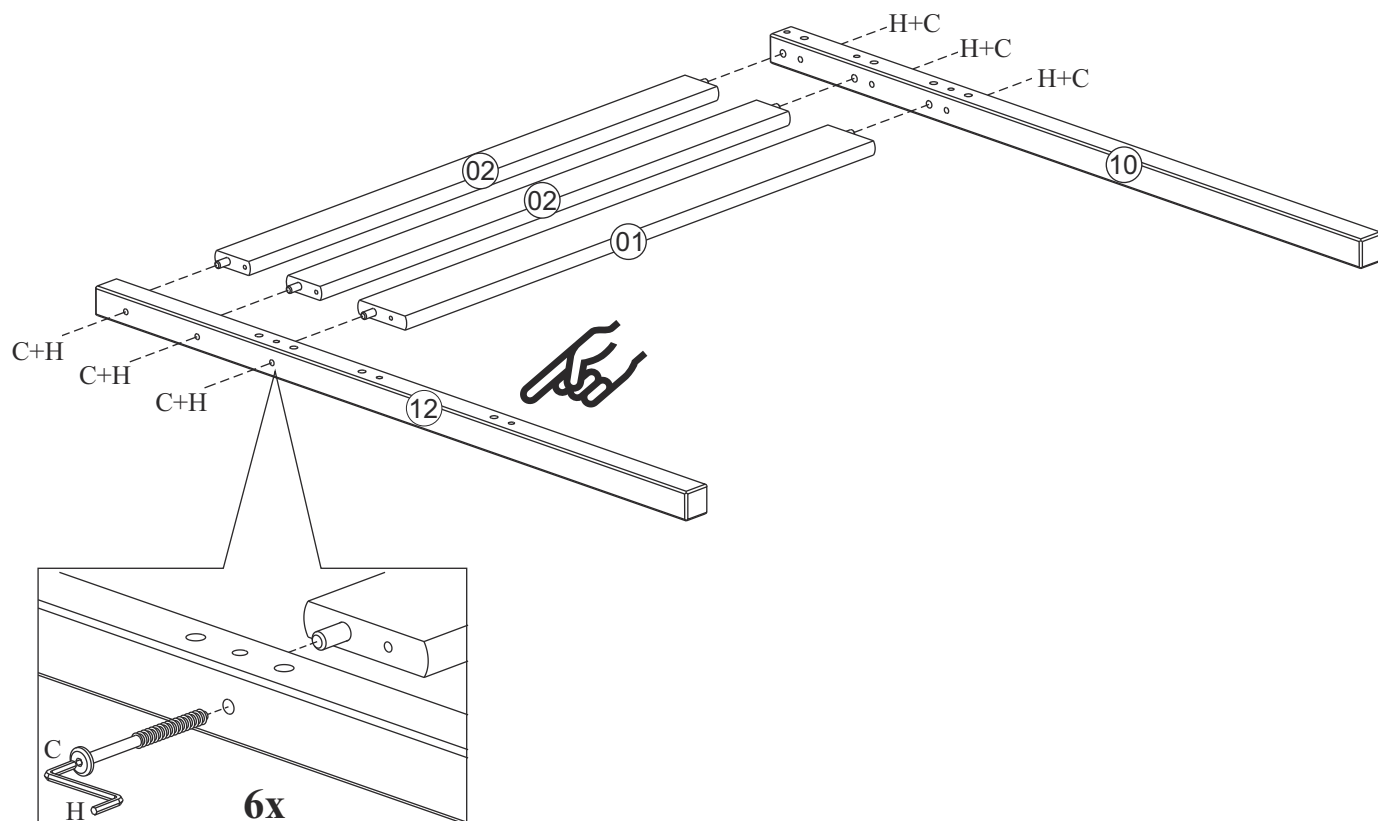
**** You will need a screwdriver and small mallet (not provided)**

Step 1: Attach Wooden Dowel (G) to parts (1)2x, (2)4x, (3)2x, (7)2x, (8), (9), (18) and (19)2x. DO NOT use any power tools as this may damage the frame and will invalidate any claim



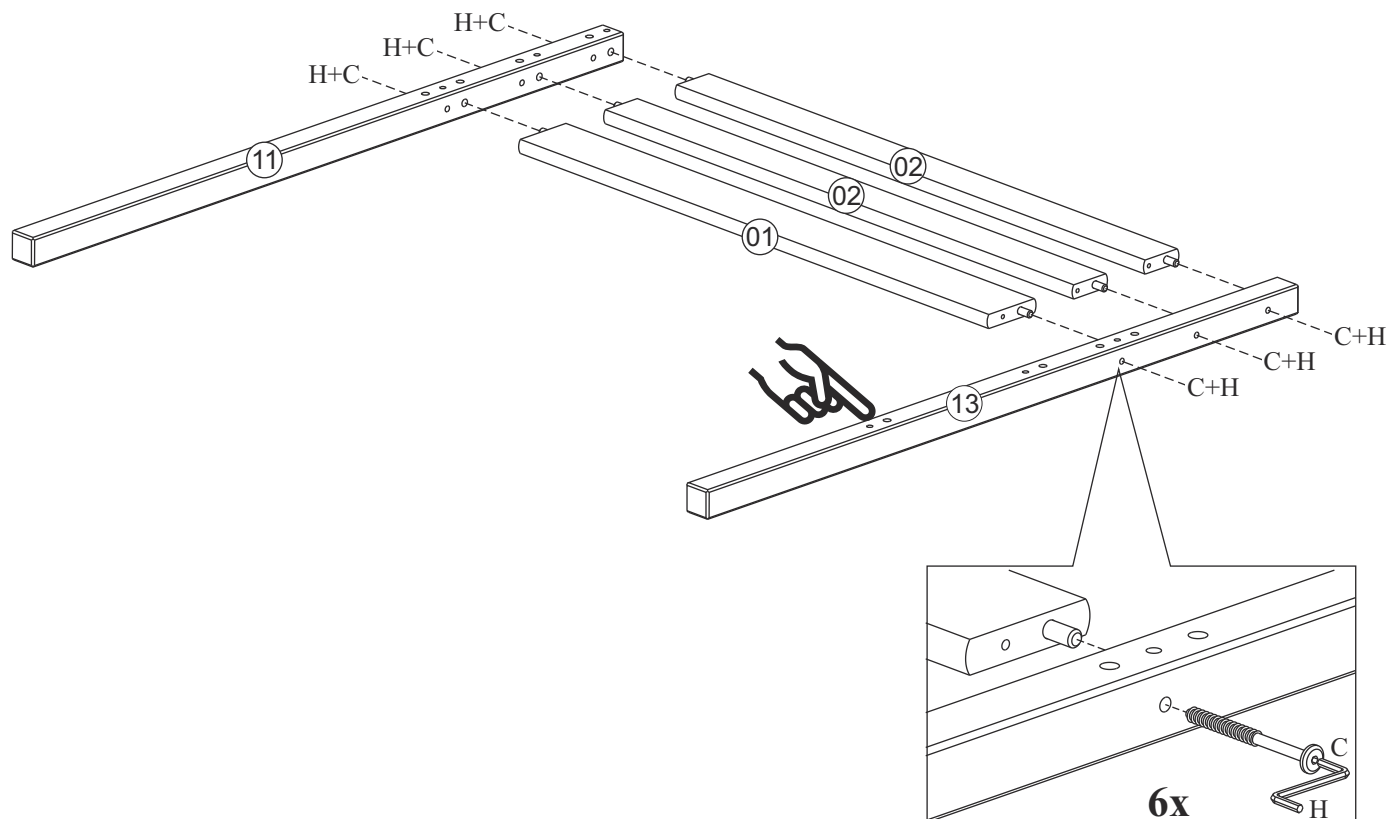
Step 2: Attach the end rails (1) and (2) to the foot (10) and foot (12) using hardware C and H.

DO NOT use any power tools as this may damage the frame and will invalidate any claim

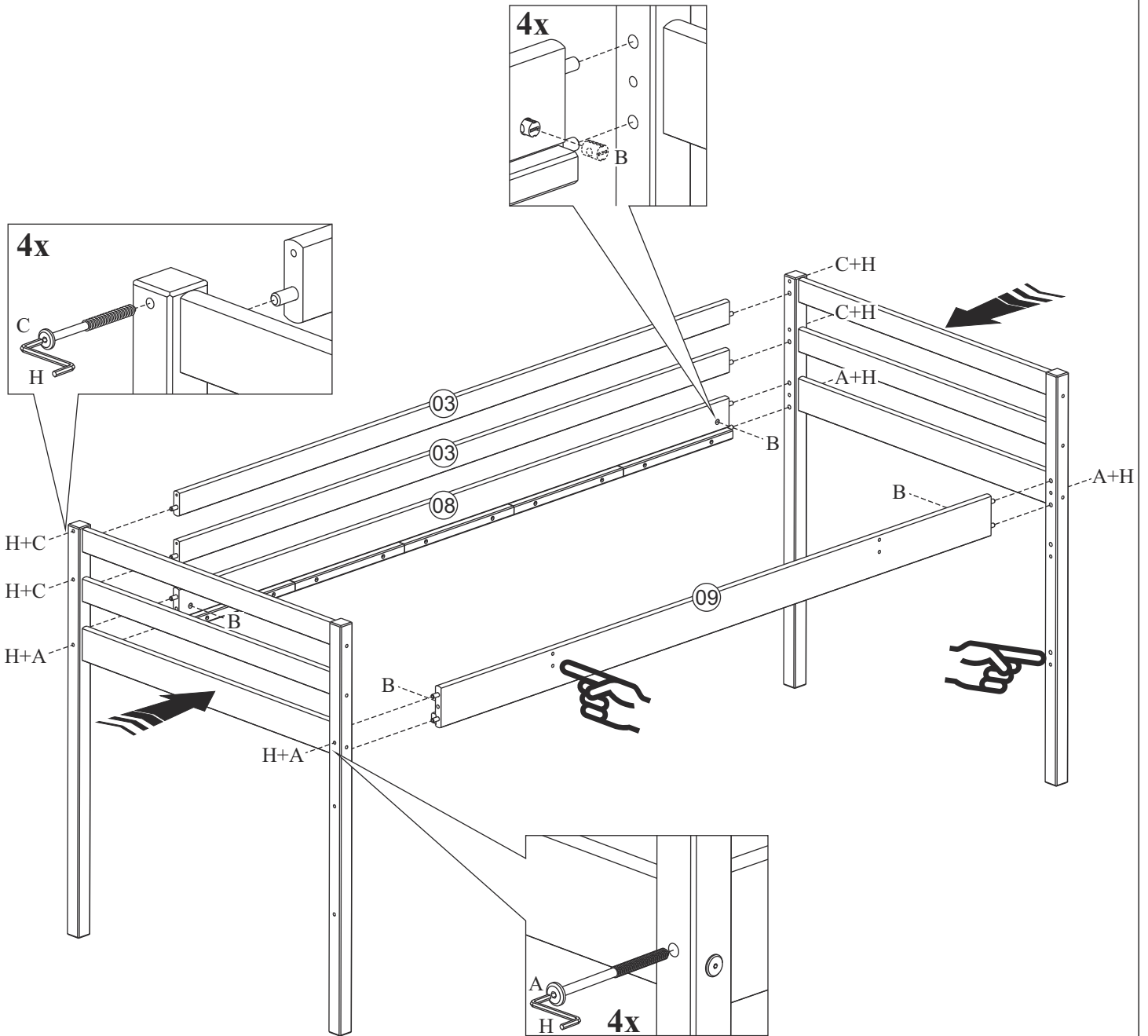


Step 3: Attach the end rails (1) and (2) to the foot (11) and foot (13) using hardware C and H.

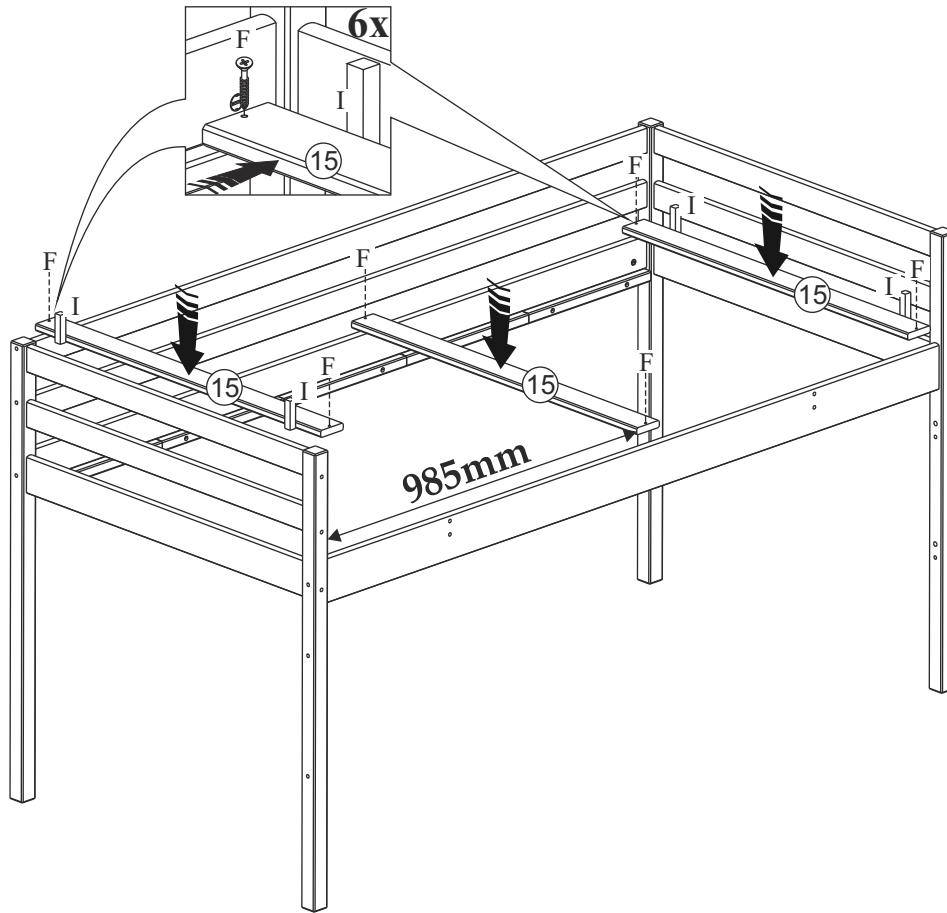
DO NOT use any power tools as this may damage the frame and will invalidate any claim



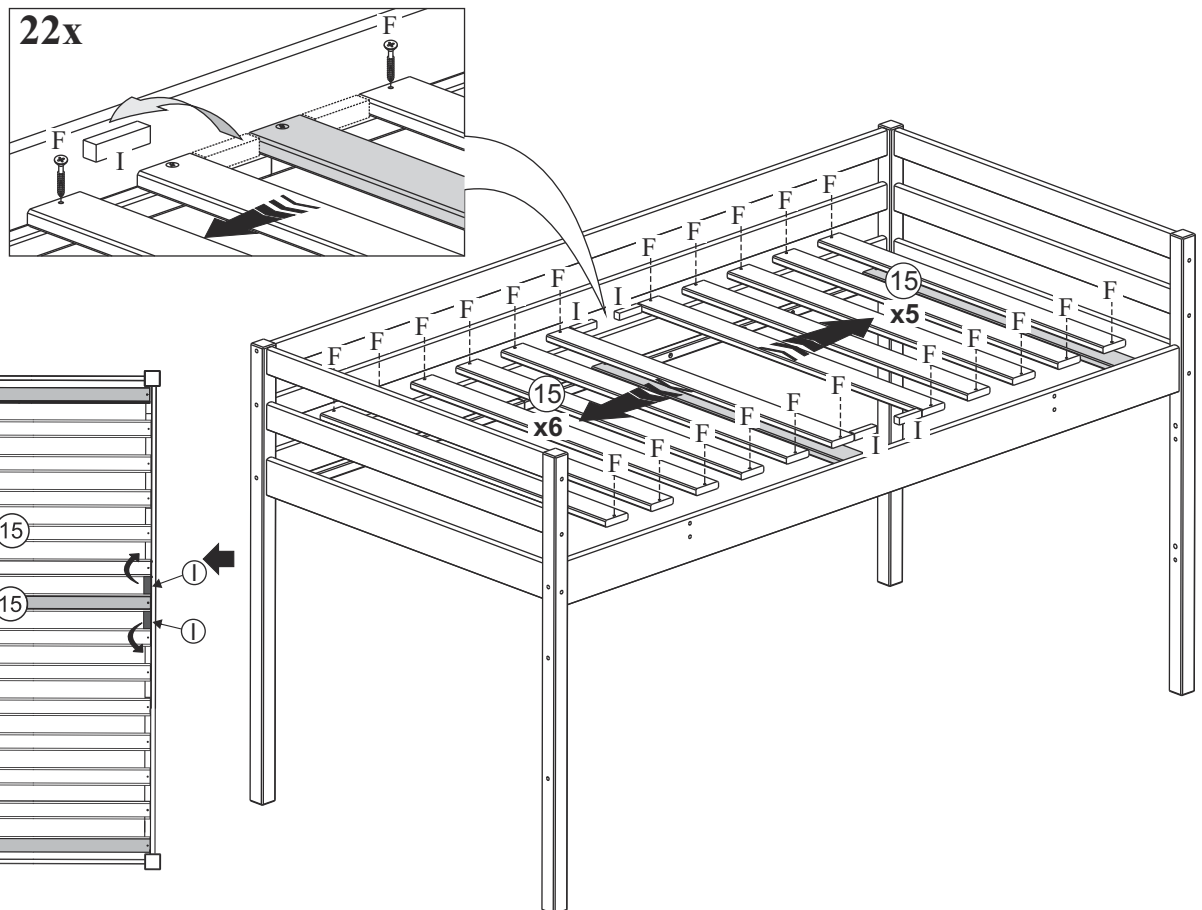
Step 4: Attach the back side rails (8) the front side rails (9) on the headboards using hardware parts A, B, and H.
Attach guard-rails (3) on the headboards using hardware parts C, and H.
DO NOT use any power tools as this may damage the frame and will invalidate any claim



Step 5: Fix the slats (15)3x with screws F and spacer I.
DO NOT use any power tools as this may damage the frame and will invalidate any claim



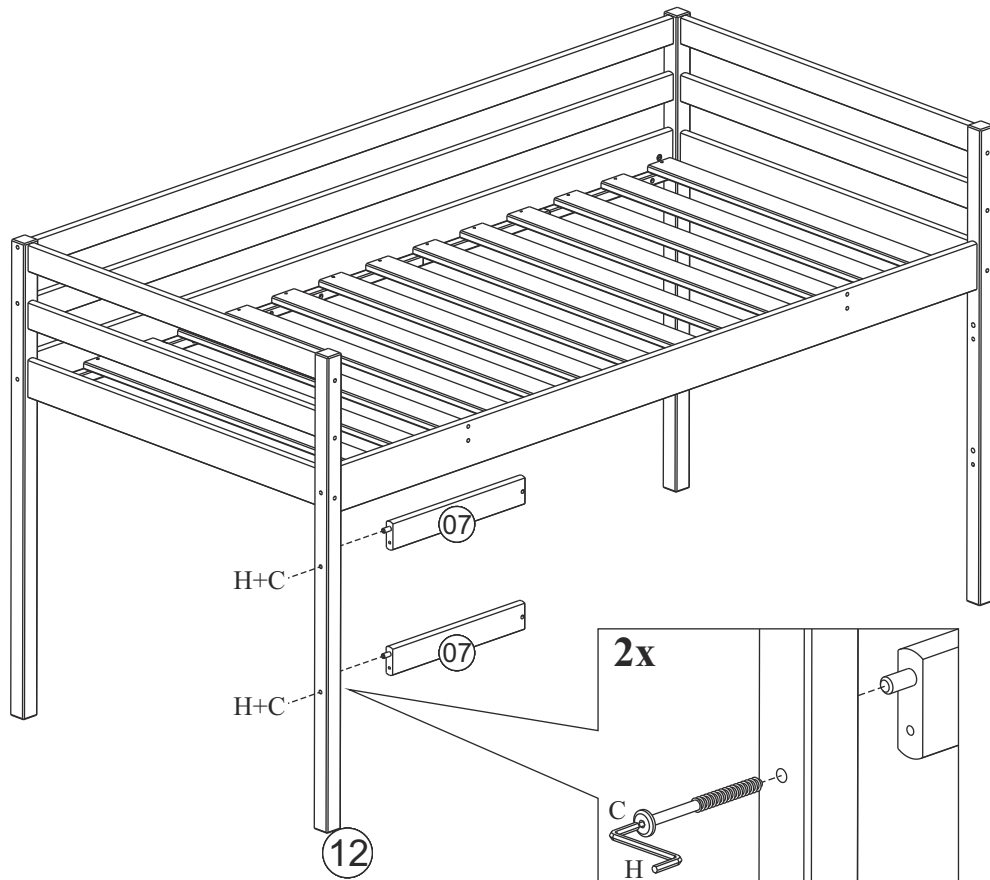
Step 6: Fix the slats (15)11x with screws F and spacer I.
DO NOT use any power tools as this may damage the frame and will invalidate any claim



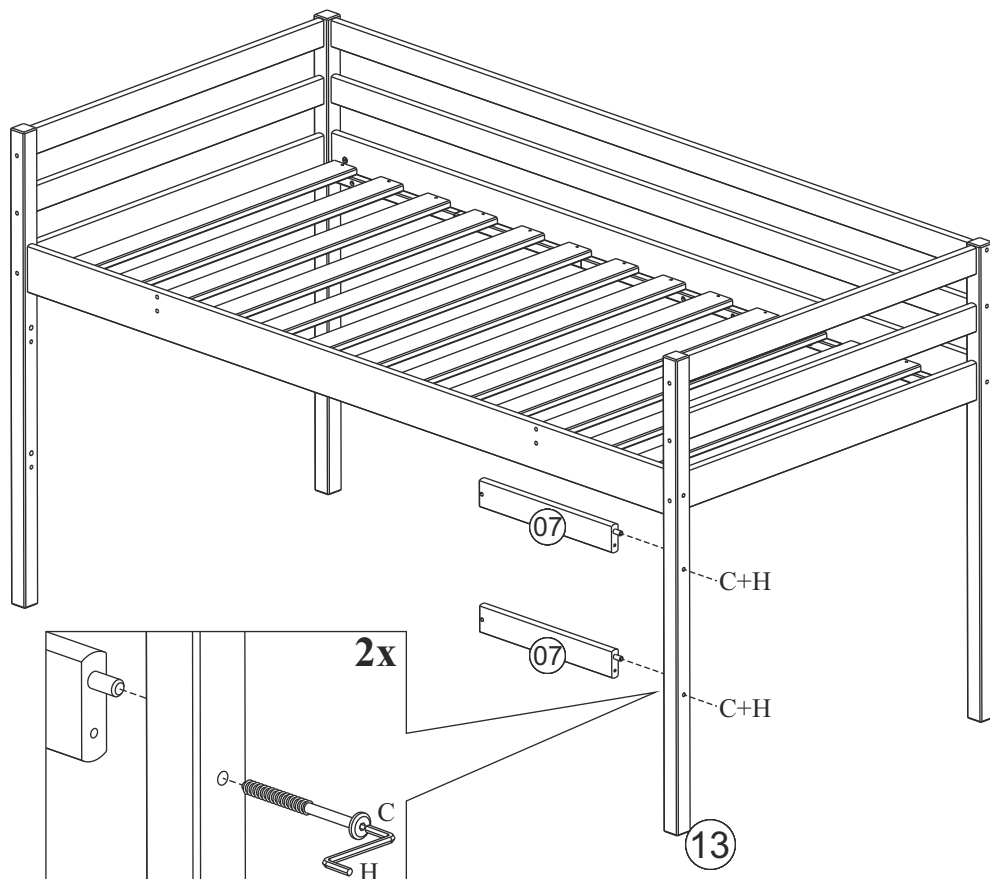
OPTIONS 1

Step 7: Fix the steps (7)2x with screws C and H.

DO NOT use any power tools as this may damage the frame and will invalidate any claim



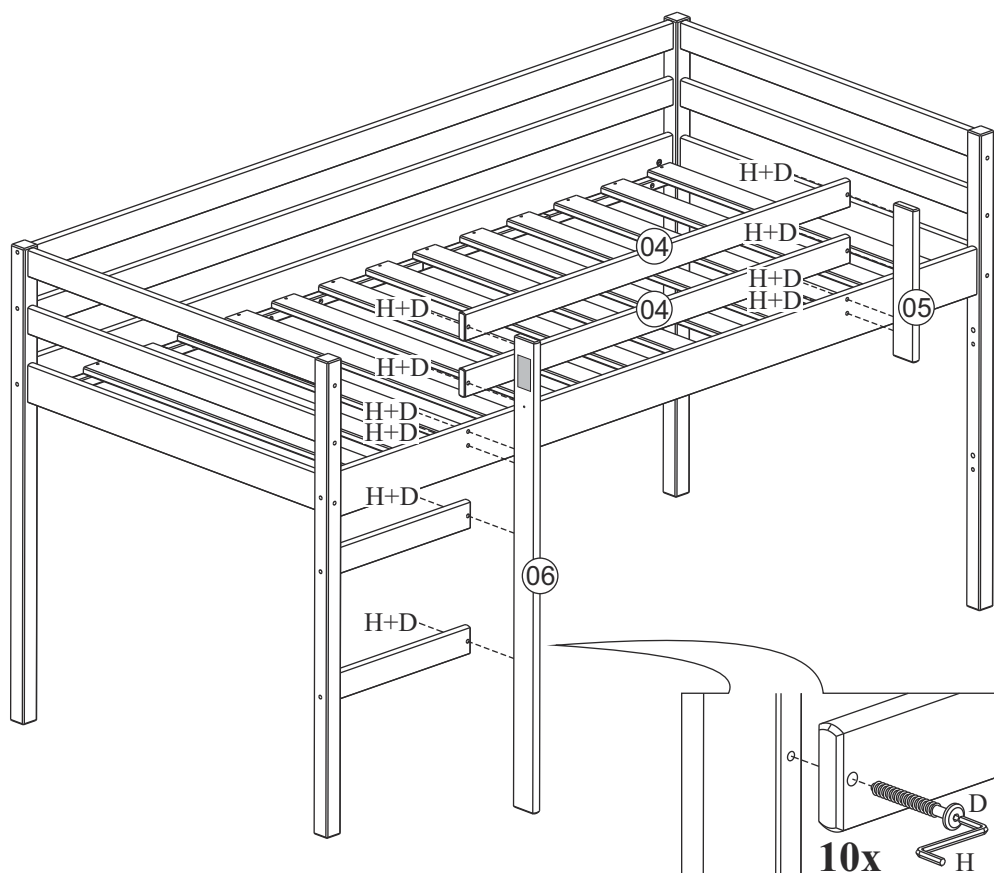
OPTIONS 2



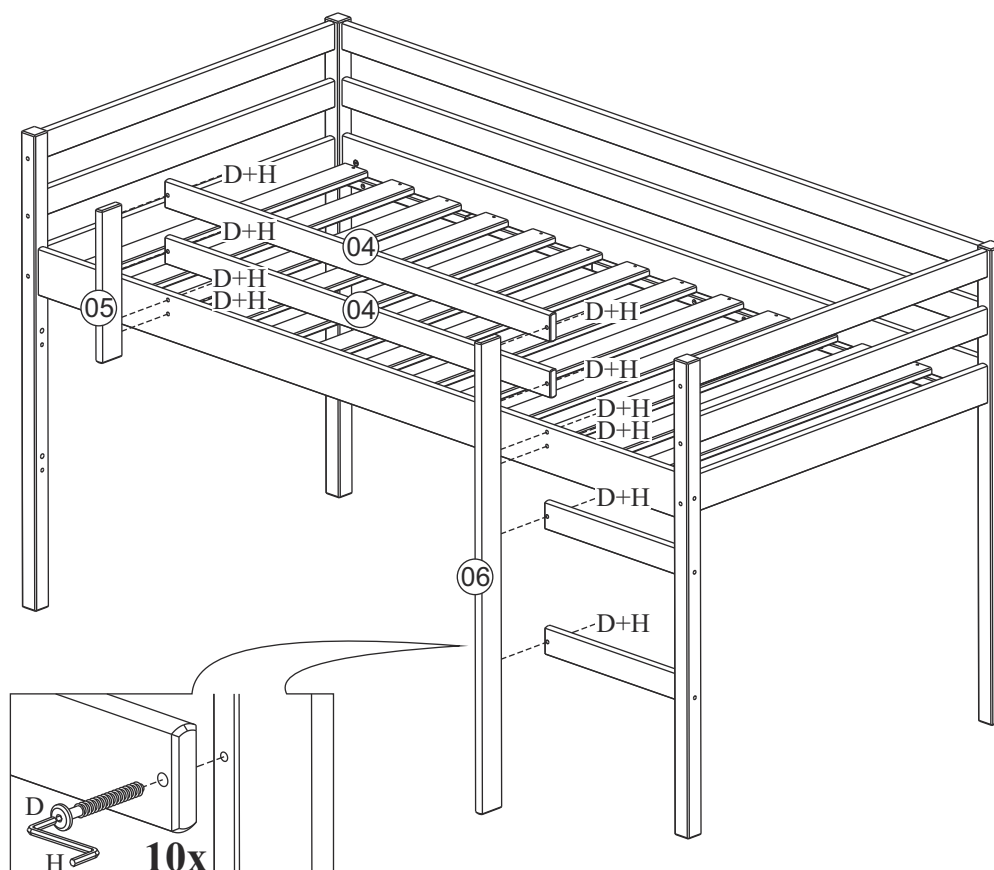
OPTIONS 1

Step 8: Fix the parts (4), (5) and (6) with screws D and H.

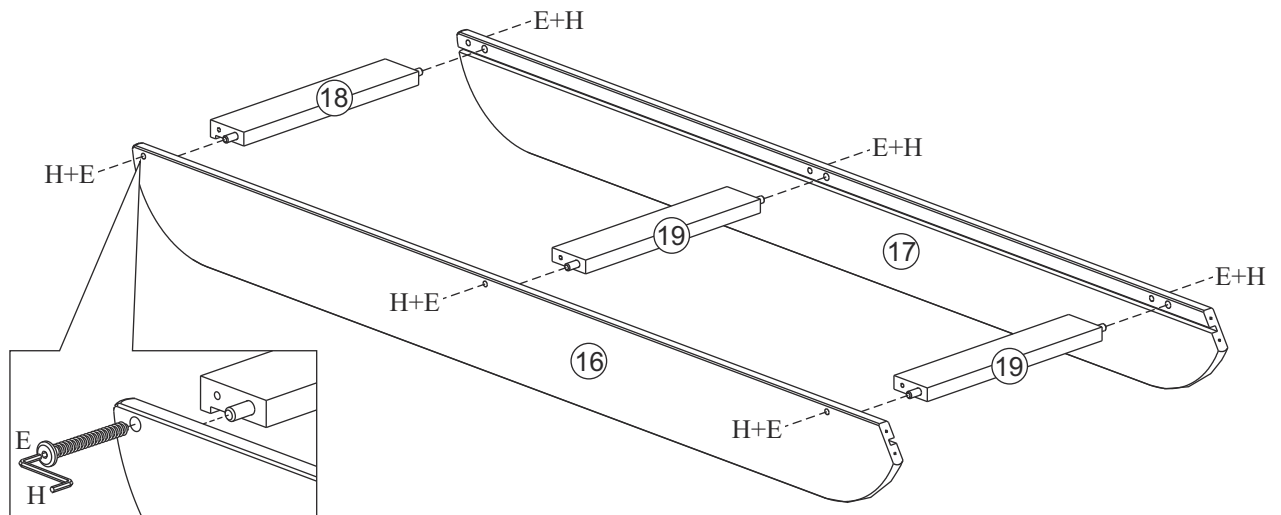
DO NOT use any power tools as this may damage the frame and will invalidate any claim



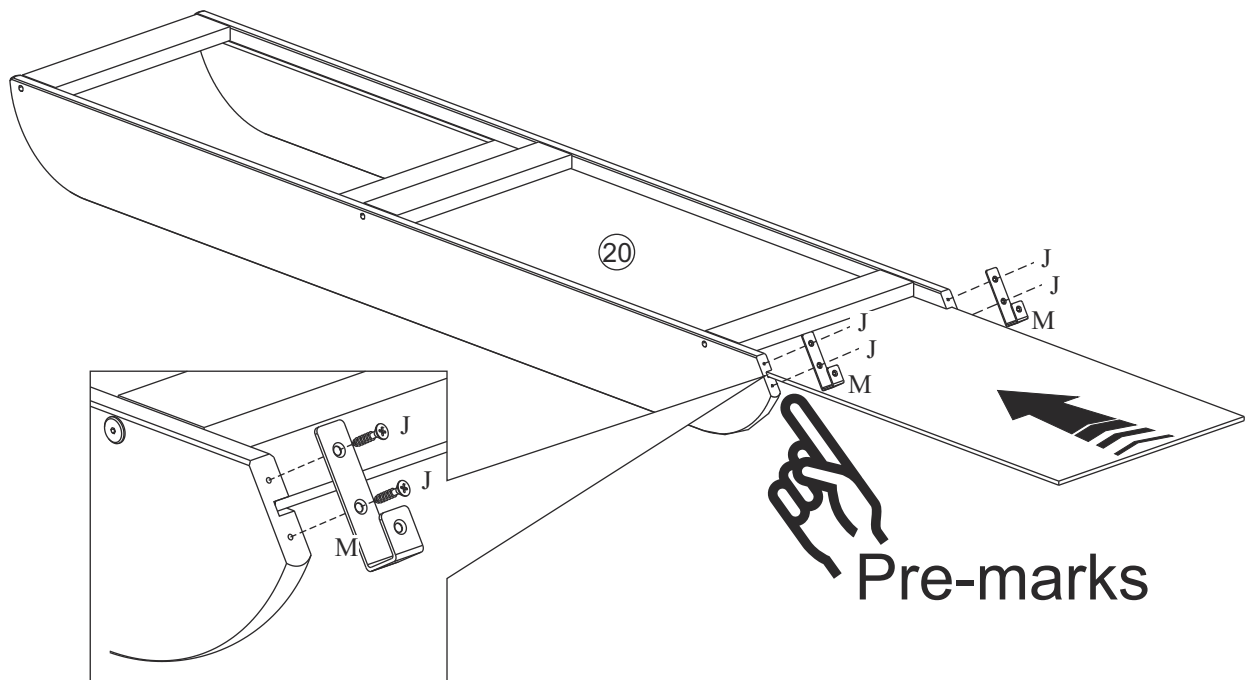
OPTIONS 2



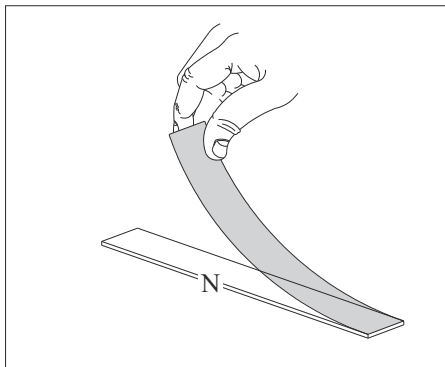
Step 9: Fix the parts (18) and (19) on the sides (16) and (17) with screws E and key H.
DO NOT use any power tools as this may damage the frame and will invalidate any claim



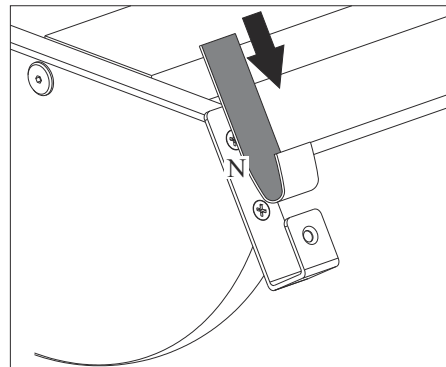
Fit the part (20) on the sides (16) and (17).
Secure hardware M with screws J.
DO NOT use any power tools as this may damage the frame and will invalidate any claim



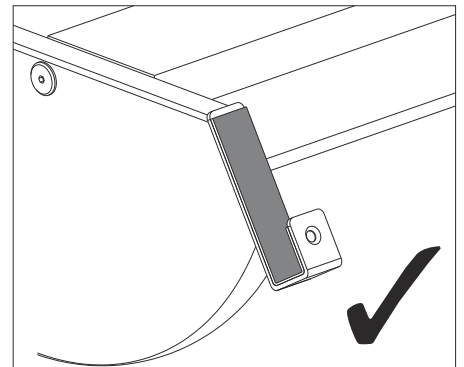
1°



2°



3°



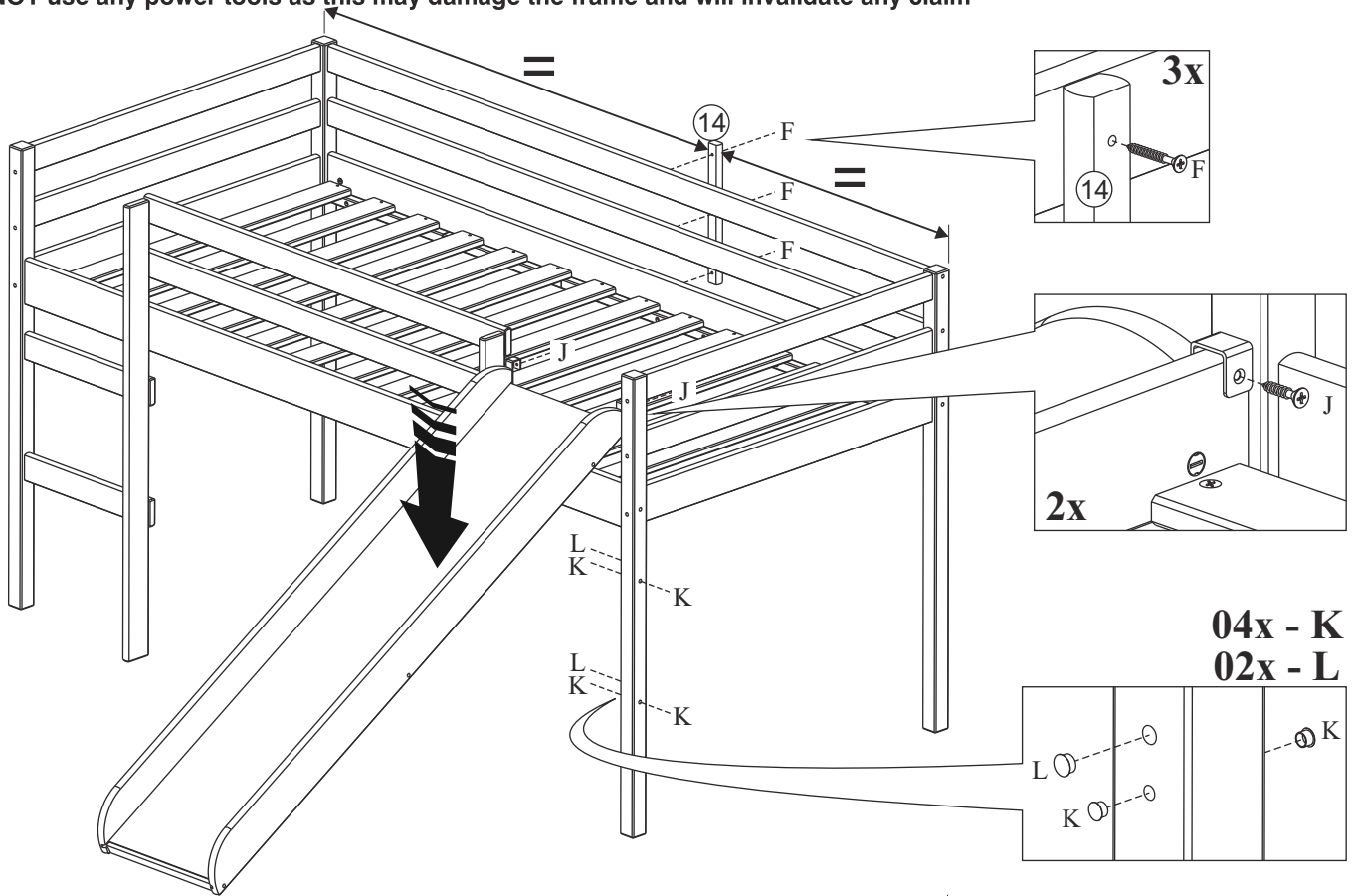
OPTIONS 1

Step 10: Fix the parts (14) with screws F.

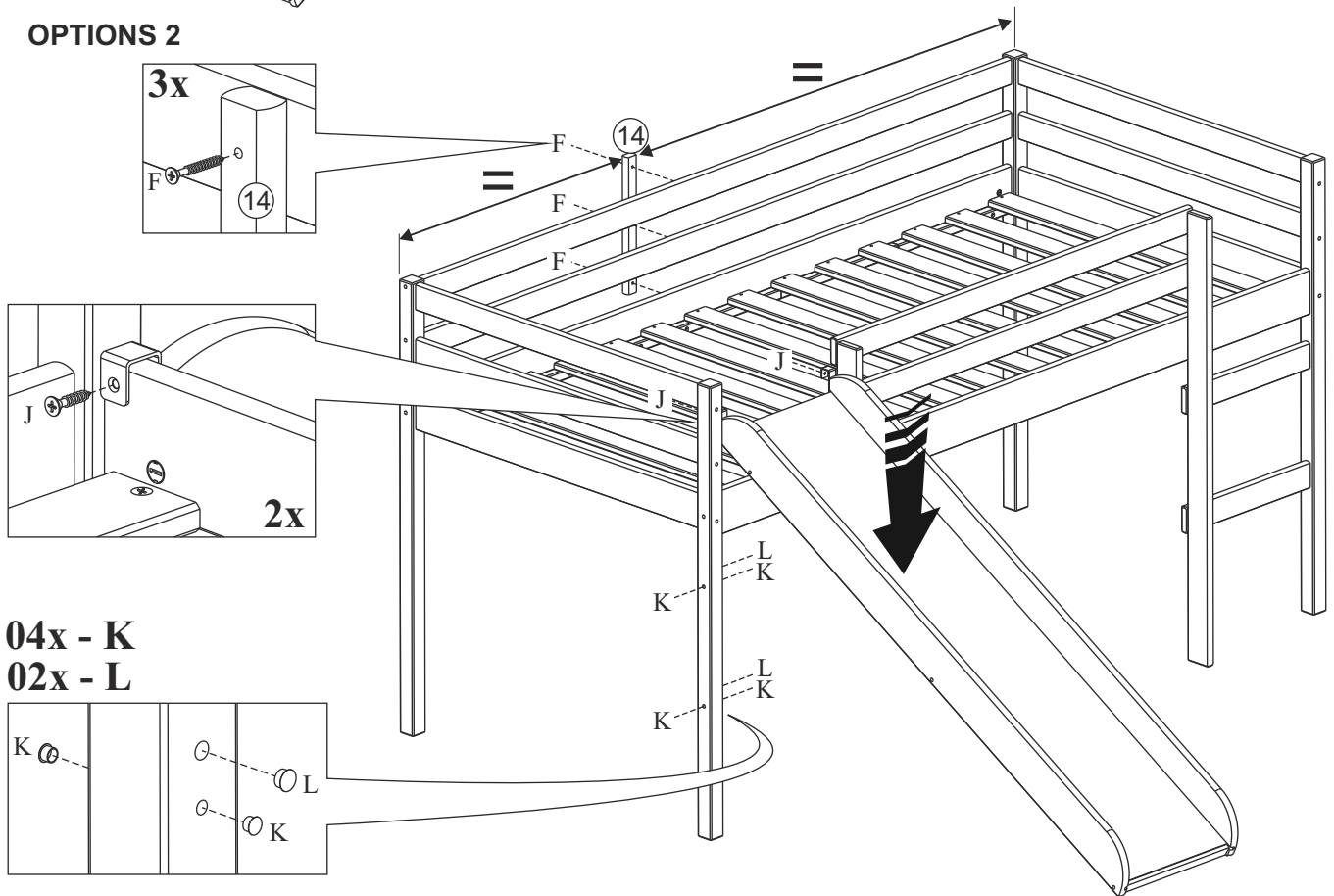
fix the slider with screw J.

Use the K and K hole covers to close the extra holes.

DO NOT use any power tools as this may damage the frame and will invalidate any claim



OPTIONS 2



Please dispose of all packaging safely.

General Care & Maintenance

Wipe clean with a slightly damp cloth.
Avoid the use of all household cleaners and abrasives.

Periodically check all screw & fixings to ensure they are secure.

When moving your product, carefully lift into place. Never drag or push the product across the floor as this will cause damage to the joints. If the product is used on hard flooring, such as wood or laminated floor, you must place some protection under the legs to stop the product from moving. If this is not adhered to, it could result in failure to the product that will invalidate the warranty.

For more information on cleaning and product care visit:
<https://www.happybeds.co.uk/help-and-advice>

Notes

In the unlikely event that you have problems putting this product together or have damaged or missing parts, please contact us by visiting:
<https://www.happybeds.co.uk/customer-service>