

## Assembly Instructions

### Important before assembly:

Read these instructions carefully before assembling or using the product.

Please check the contents of the boxes before attempting to assemble this product. The instructions will have a checklist of parts and fittings.

Assemble the product as close to its intended final location/room as possible.

### Health & Safety:

This product or some parts of this product will be heavy. Please use an assistant when lifting.

Please keep small parts out of reach of children.

Always use on a level, even surface.

DO NOT jump on the product or any of its parts.

DO NOT use this product if any parts are missing, damaged or worn.

DO NOT use this product unless all fixings are secured.

**Further instructions are on the following pages.**

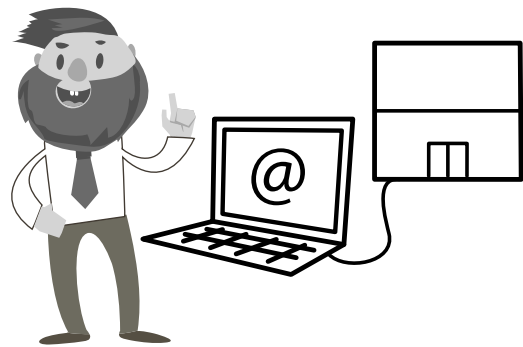
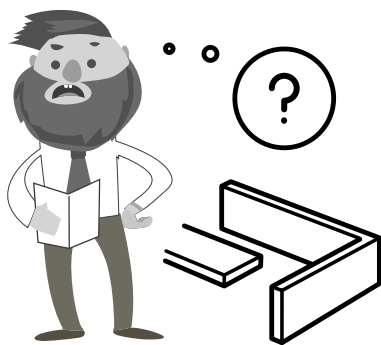
Please keep these instructions for future reference.



This product or some parts of this product will be heavy. Please use an assistant when lifting.



Never drag or push the pieces across a hard or stone floor as this will cause damage to the joints. Use a carpet or a rug for extra care.



If you have problems assembling or have damaged or missing pieces, please contact our customer services (details at the back of these instructions)



## Important for Ottoman and other gas lift beds

### Note:

The bed base is in the upright position when first assembled as the gas lifts are fully extended during shipment for safety. After assembly a firm downward push will be required to overcome any resistance in the gas lifts as these may initially stick. We suggest placing a mattress on top of the bed base to aide this and also test the operation of your new lift up bed by lifting and pushing down the bed base a few times to allow the lifting mechanism to bed in.

The lift mechanism provides assistance with the lift of the mattress fitted to the base. It does not lift the mattress for you. The system has been designed to effectively lift the base system fitted with a variety of mattress weights and combinations of depths. Depending on the combination of the mattress weight and depth determines the degree of assistance provided by the mechanism.

Following the installation of the mechanism lift, pull the base up and down a few times to free off the system. The gas cylinders fitted to the system may be stiff when first used or if the system has not been operated for a period of time.

Use the strap handles to lift up the mattress base using two hands. Pull the mattress base down using two hands equally spaced from the centre of the mattress base. DO NOT pull down on one side of the base only as this is likely to damage the base system with potential failure of the mattress base system and lift mechanism.

Do NOT operate the lift up mechanism without the mattress placed on the base.

### Caution:

Do NOT allow children to operate the lift mechanism.  
Do NOT allow children near the lift base when operating the mechanism.  
Do NOT allow children in the area of the internal storage base.  
Keep hands clear of the mechanism when operating the base system.  
Do NOT stand inside the bed or the internal storage base.  
Do NOT overload the internal storage base.

## **Important informations**

Please take the time to carefully read through the whole of these instructions before you commence.

Keep these instructions for future reference.

Unpack, inspect and check aof all of the contents.

Please dispose of all packing safely.

Small components parts could choke a child if swallowed.

We strongly recommend that you keep children well away from the work area.

It would be sensible to lay a sheet or blanket on the floor where you intend to work to avoid scratching this product and protect your floor.

This product is heavy. Take extreme care when lifting to avoid personal injury or damage to the product.

This bed is heavy. Always lift the bed with to people.

Assemble the product as close to its intended final position in the room as possible.

Keep any sharp object away from the bed frame.

**HANDY HINT:** If you keep the hardware in a bowl during assembly you will be less likely to lose them.

### **HEALTH & SAFETY**

**DO NOT:** jump on this bed frame.

**DO NOT:** use this bed frame if any parts are missing, damaged or worn.

**DO NOT:** use this bed frame unless all fixings are secured.

**DO NOT:** push the bed frame as this will damage the legs.

Always lift the bed frame with two people to reposition.

Always use on a level, even surface.

Following installation of the mechanism lift / pull the base up and down a few times to free of the system-the gas cylinders fitted to the system may be stiff when first time used or if the system has not been operated for a period of time. The mattress must be fitted to the base.

Use the strap handle to lift up the mattress base using tow hands-Pull the mattress base down using two hand equally spaced from the mattress.

**WARNING:** If this bed is placed on a non-carpeted floor you must place some protection under all legs to stop the bed frame from moving. If this is not adhered to there is no guarantee if the bed frame collapses.

**WARNING:** This storage bed frame has a powerful, mechanism and after assembly should only be opened when mattress is in place.

### **CAUTION**

**DO NOT:** allow children to operate the mechanism.

**DO NOT:** allow children near the lift base when operating the mechanism.

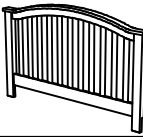
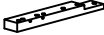


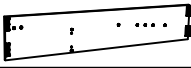




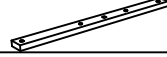





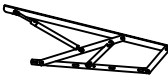
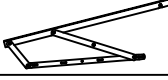

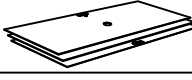
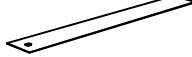
**DO NOT:** allow children in the area of the internal storage base.










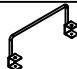
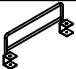






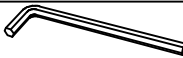
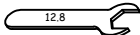

Keep hands clear of the mechanism when operating the system.

**DO NOT:** stand inside the bed / on the internal storage base.

**DO NOT:** overload the internal storage.


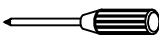
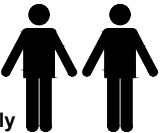
Parts List

Parts	Description	Qty	Box
1	Headboard Frame 	1	1 / 4
2	Left Wooden Post 	1	
3	Right Wooden Post 	1	
4	Footboard 	1	2 / 4
5	Left Side Rail 	1	4 / 4
6	Right Side Rail 	1	
7	Centre Storage Panel 1 	1	
8	Centre Storage Panel 2 	1	
9	Back Storage Panel 	1	
10	Hydraulic Arm Spacer 	2	
11	Side Metal Bar 	2	3 / 4
12	End Metal Bar (HEADBOARD) 	1	
13	End Metal Bar (FOOTBOARD) 	1	
14	Center Metal Bar 	1	
15	Slat 	28	
16	Left Hydraulic Base Support c/w Pump Stopper 	1	
17	Right Hydraulic Base Support 	1	
18	Hydraulic Base Pump 	2	
19	Bottom Base Panel - Big 	3	1 / 4
20	Bottom Base Panel - Small 	1	

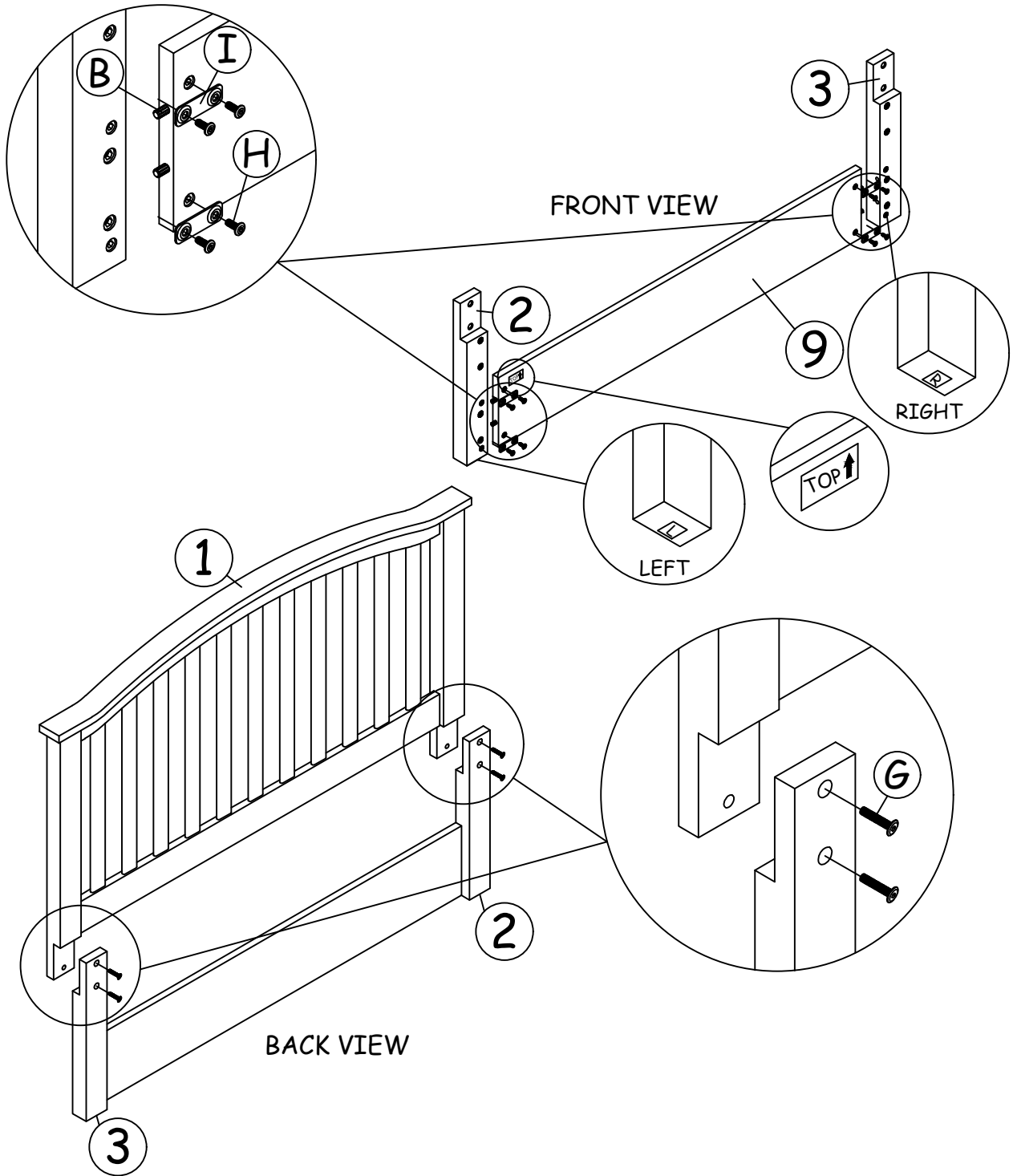
Hardware List (Found in box 3 and 4)			
Parts	Description	Qty	Box
A	Mini Fix 	8	3 / 4
B	8 x 30 mm Wooden Dowel 	12	
C	Metal Corner Block 	2	
D	Self adhesive 4mm X 35mm 	2	
E	M8 x 25 mm JCBB Bolt RBW 	16	
F	M8 x 15 mm JCBB Bolt RBW 	8	
G	M8 x 35 mm JCBB Bolt (BLACK) 	14	
H	M6 x 15 mm JCBC Bolt RBW 	8	
I	Bracket 20mm x 58mm 	4	
J	Base Handle (HEADBOARD) 	1	
K	Base Handle (FOOTBOARD) 	1	
L	M6 x 40 mm JCBC Bolt BLK 	14	
M	M8 x 45 mm JCBB Bolt RBW with Nut Bracket, Spring & Flat Washer 	6	4 / 4
N	Single Slat Cap 	28	
O	Double Slat Cap 	14	
P	Flat Washer BLK 	8	3 / 4
Q	M4 Allen Key 	1	
R	M5 Allen Key 	1	
S	M12.8 Spanner 	1	
T	Nut Bracket 	4	

We very strongly advice that you do not use Power Tools, such as drill or electric screwdrivers during assembly as this may cause irreparable damage and will invalidate you warranty.

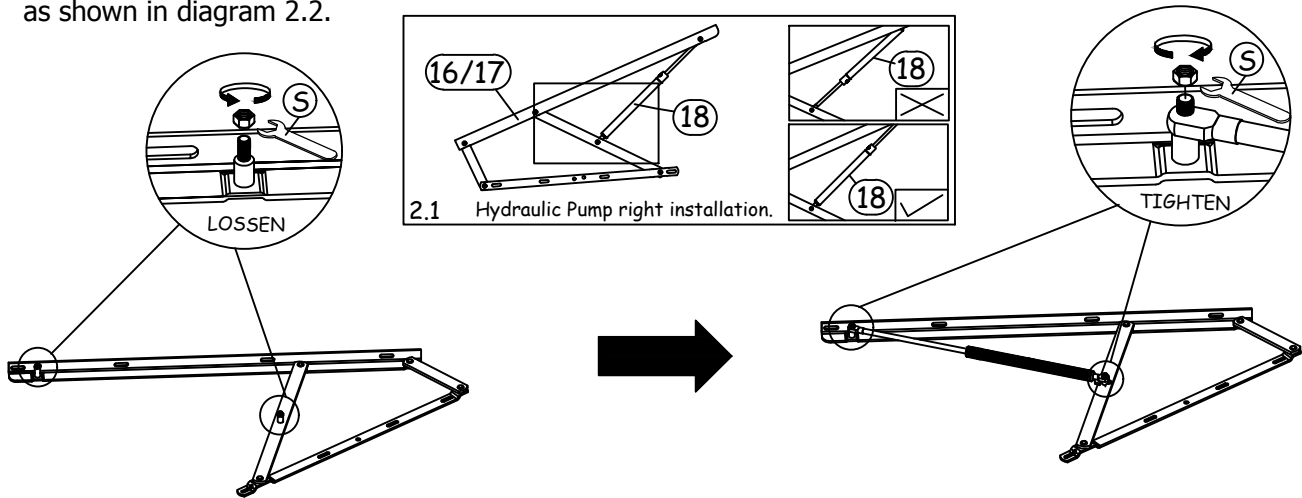
\*\* You will also need a screwdriver and small mallet ( not provided ).

		
NOT PROVIDED	NOT PROVIDED	

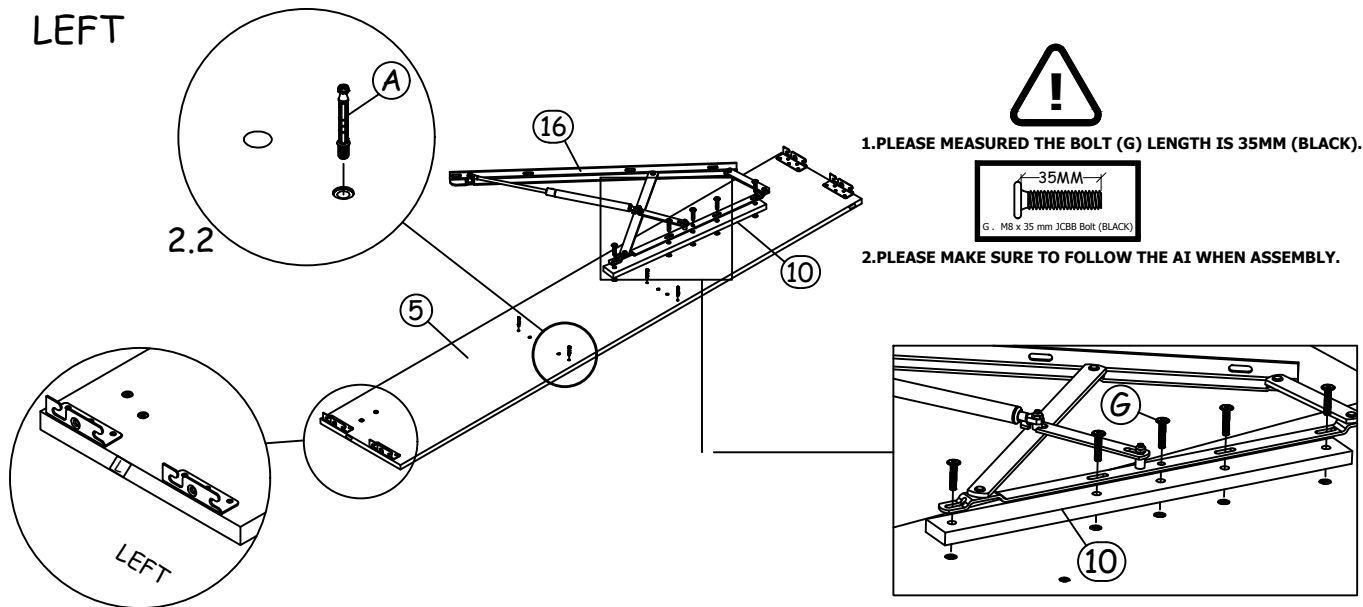
**Step 1:** Attach the back storage panel (9) to the left wooden post (2) and right wooden post (3). secure the back storage panel with hardware parts **B**, **H** and **I**. After that attach headboard frame (1) to the left (2) and right (3) wooden post as shown. Secure the headboard frame using hardware parts **G**. DO NOT use any power tools as this may damage the frame and will invalidate any claim.



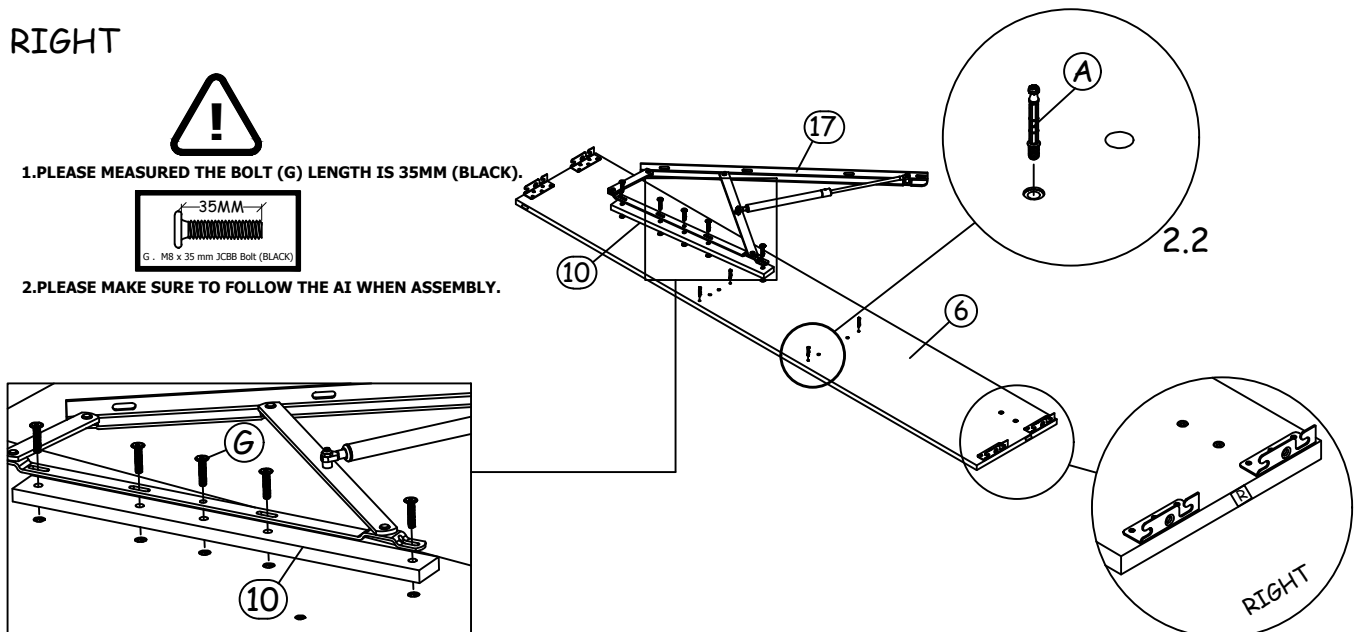
**Step 2:** Firstly, Loosen the **Hex Nut** from the Left & Right Hydraulic Base Support ,then fix the hydraulic pump to each hydraulic base using the same **Hex Nut & S**. (shown in diagram 2.1. )  
 Next, fix the left & right hydraulic spacer together with hydraulic base supporter to the both side rails using bolts **G** and than screw the minifix part **A** to the both side rails as shown in diagram 2.2.



**LEFT**

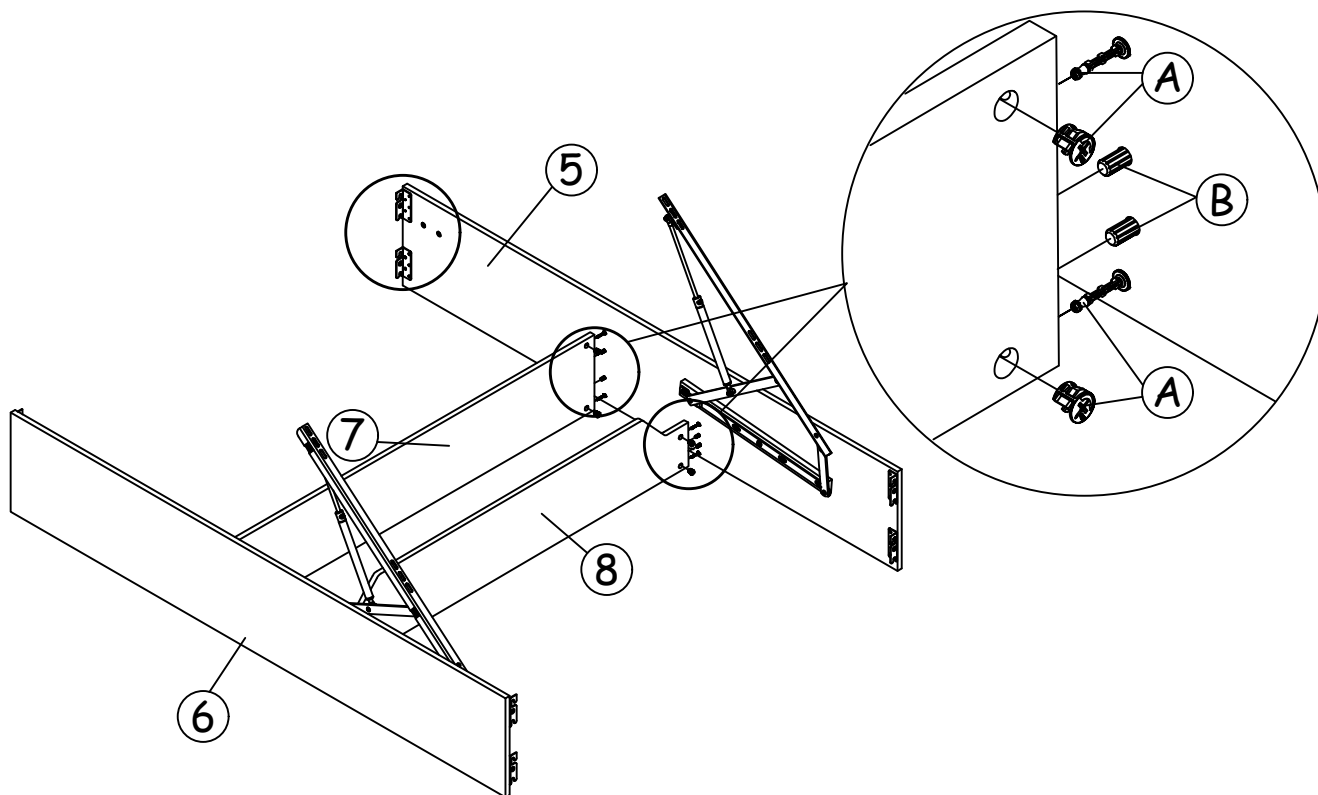


**RIGHT**

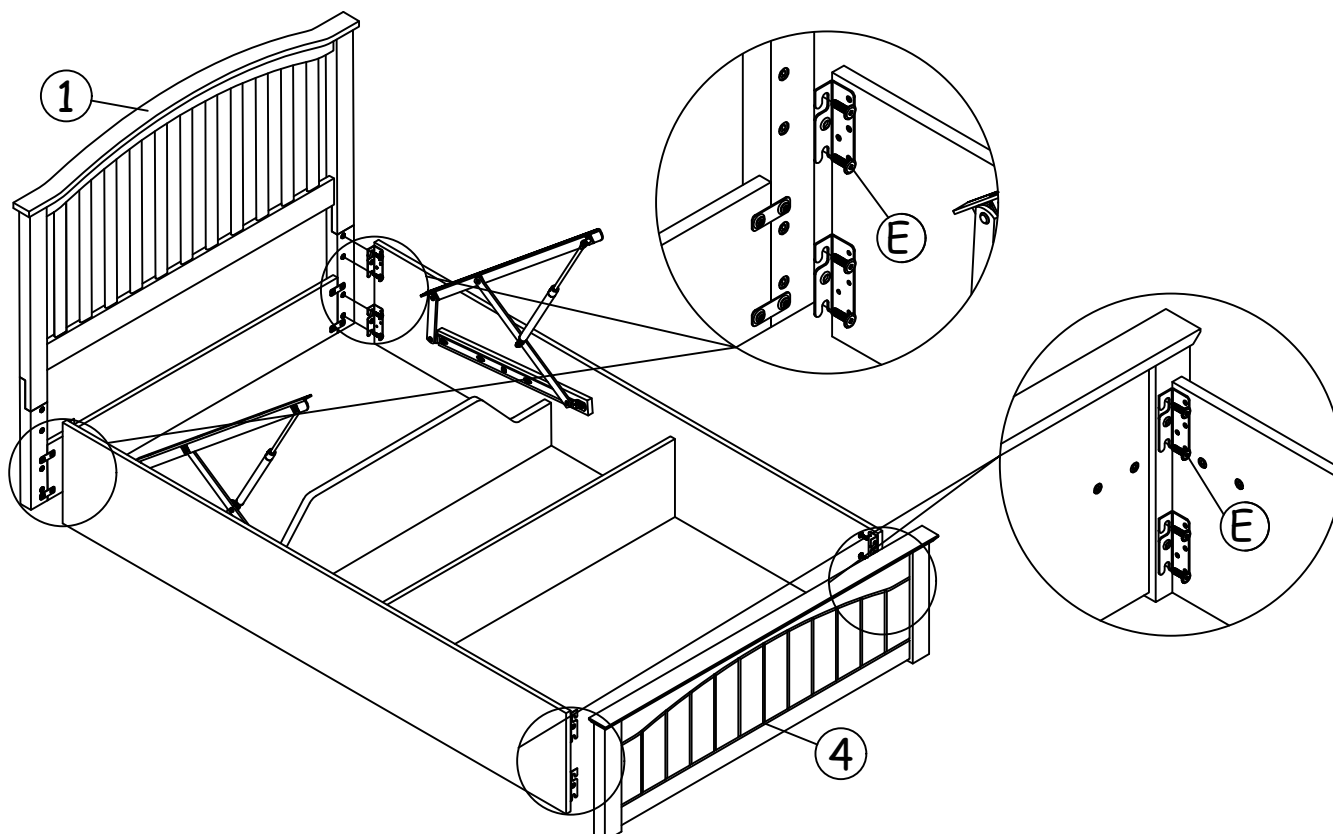




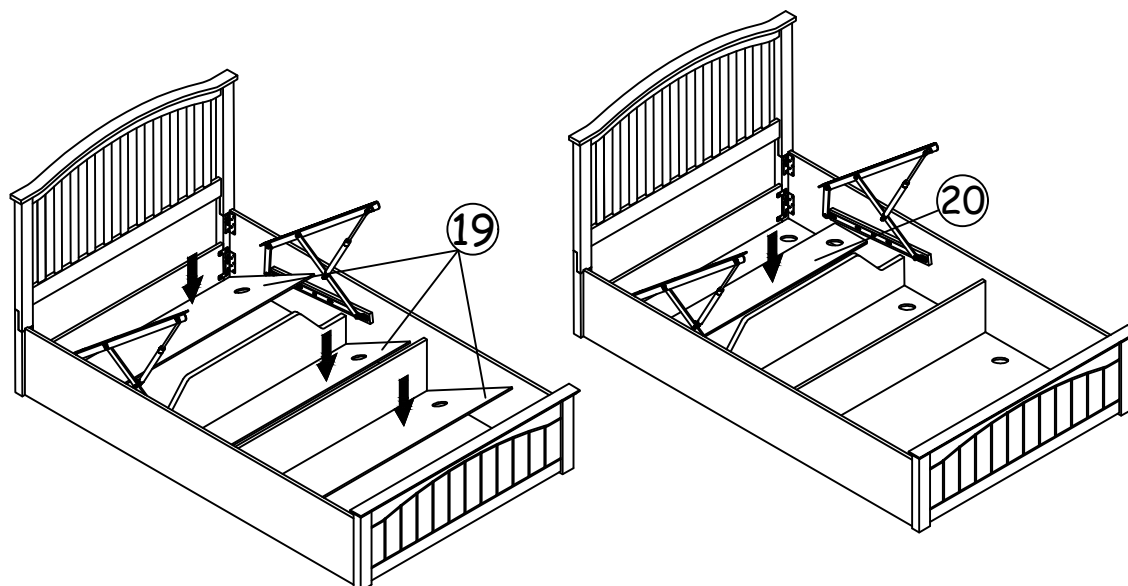
**Step 3:** Join together the left side rail (5) and right side rail (6) with the centre storage panels ① (7) and centre storage panels ②(8) by using hardware parts **A** and **B**.  
DO NOT use any power tools as this may damage the frame and will invalidate any claim.



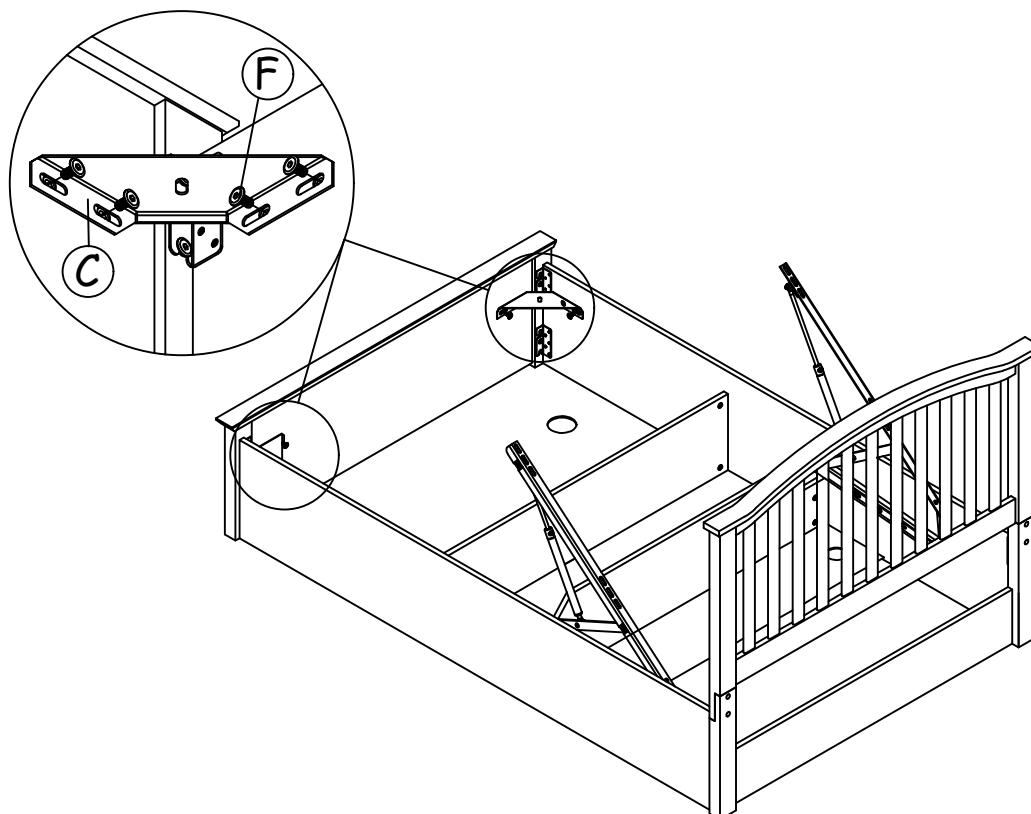
**Step 4:** Attach the headboard frame (1) and footboard (4) using hardware part **E**.  
DO NOT use any power tools as this may damage the frame and will invalidate any claim.



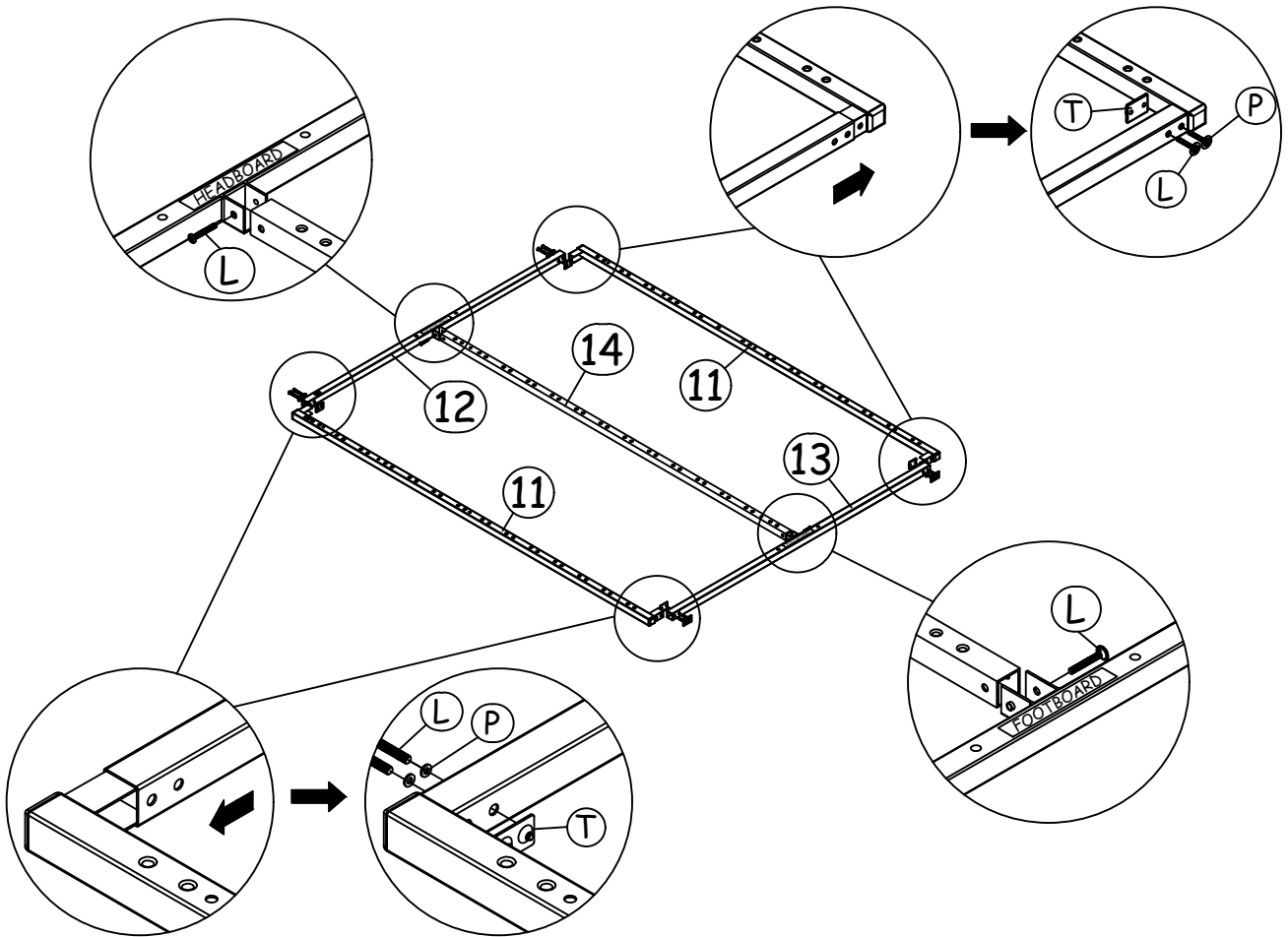
**Step 5:** Insert the large base panel (19) and small base panel (20) .  
DO NOT use any power tools as this may damage the frame and will invalidate any claim.



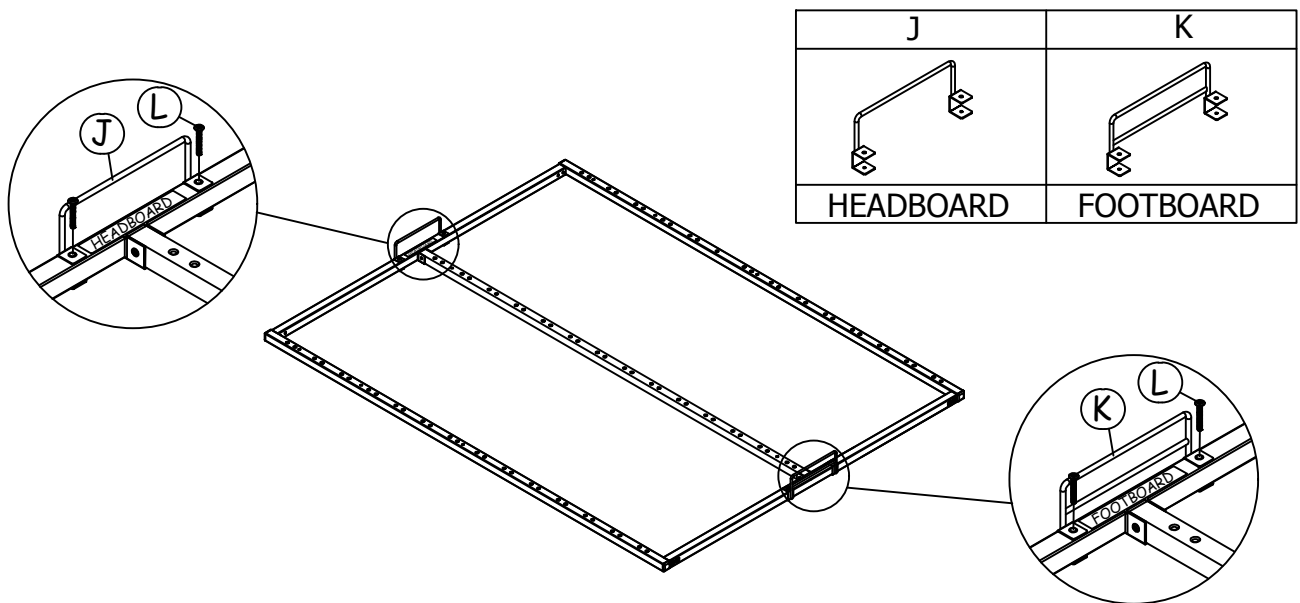
**Step 6:** Fix metal corner block **C** to the edge of footboard and side rails with bolt **F** as shown.  
DO NOT use any power tools as this may damage the frame and will invalidate any claim.



**Step 7:** Join together all the bed base parts (11),(12),(13) and (14) by using hardware parts L,P,T.  
**Important note: Please assemble follow arrow direction.**  
 DO NOT use any power tools as this may damage the frame and will invalidate any claim.

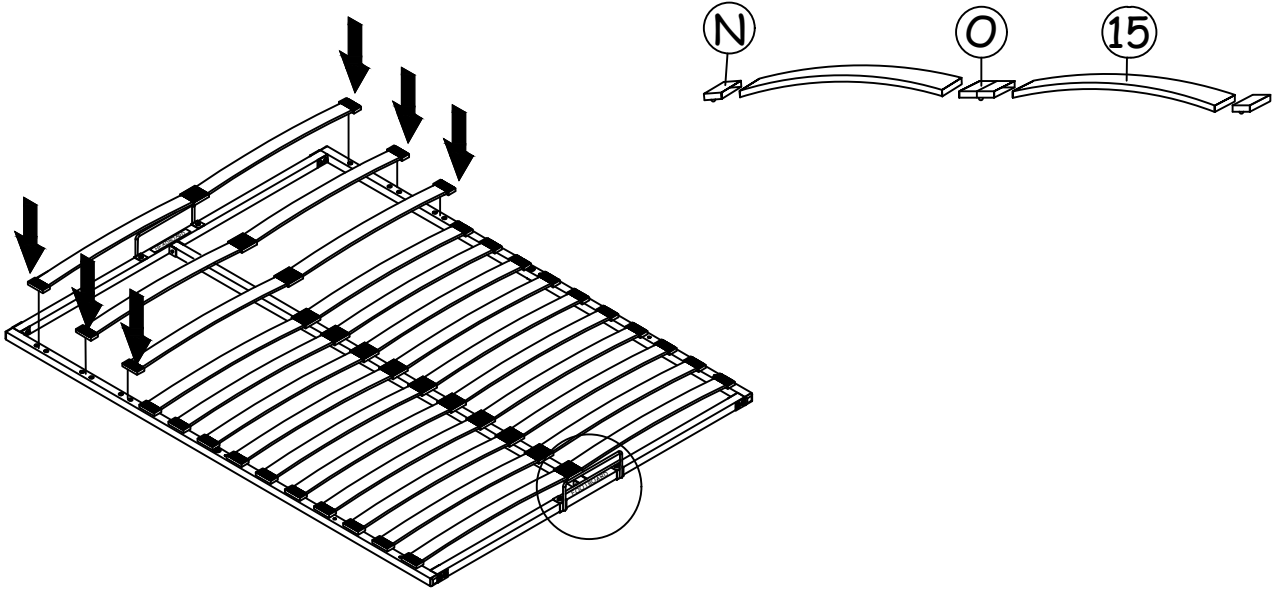


**Step 8:** Attach hardware parts J and K using hardware part L.  
**Important note: Please assemble follow arrow direction.**  
 DO NOT use any power tools as this may damage the frame and will invalidate any claim.



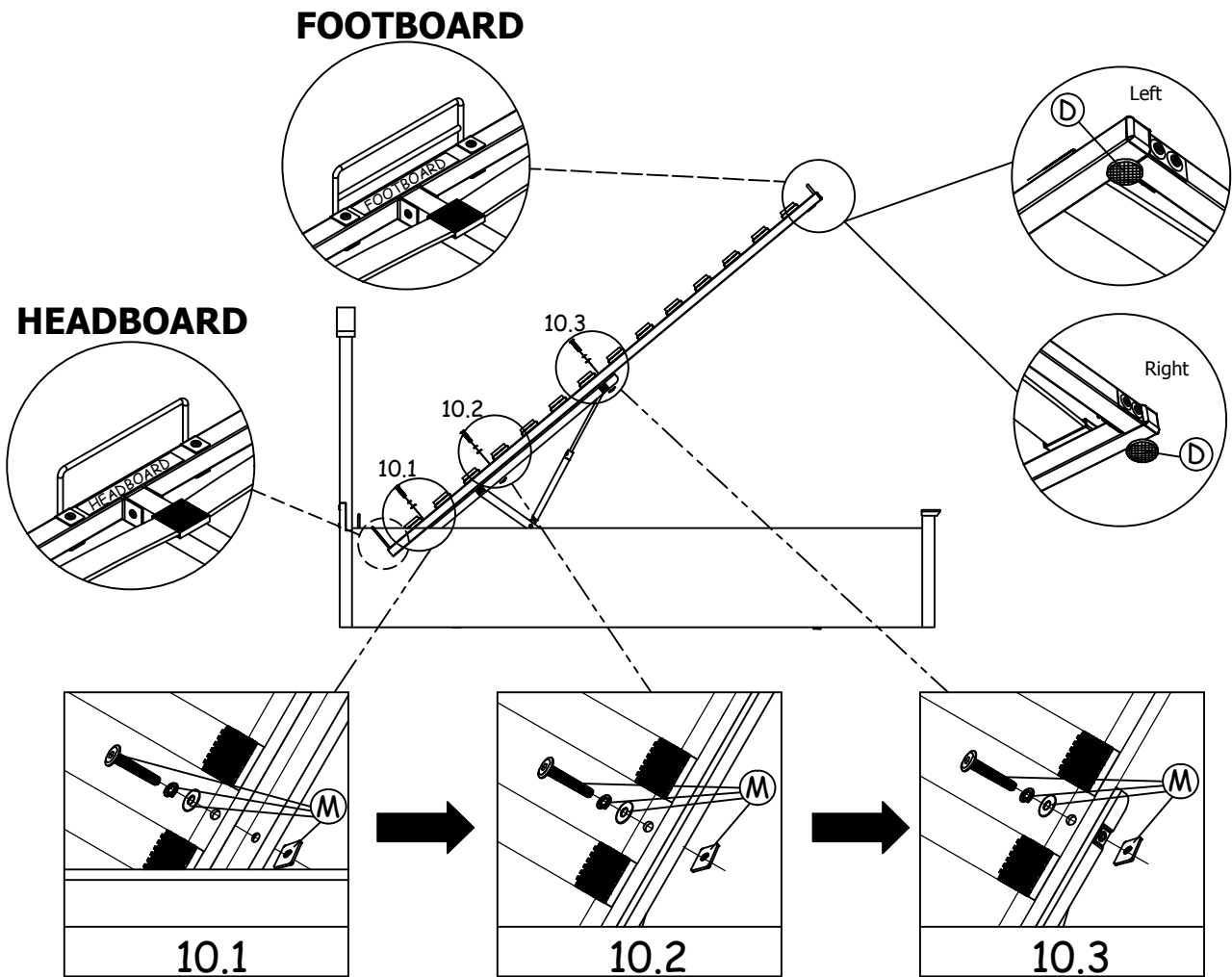
**Step 9:** Insert the slats (15) to hardware parts **N** and **O** then press into the base making sure they are secure.

DO NOT use any power tools as this may damage the frame and will invalidate any claim.

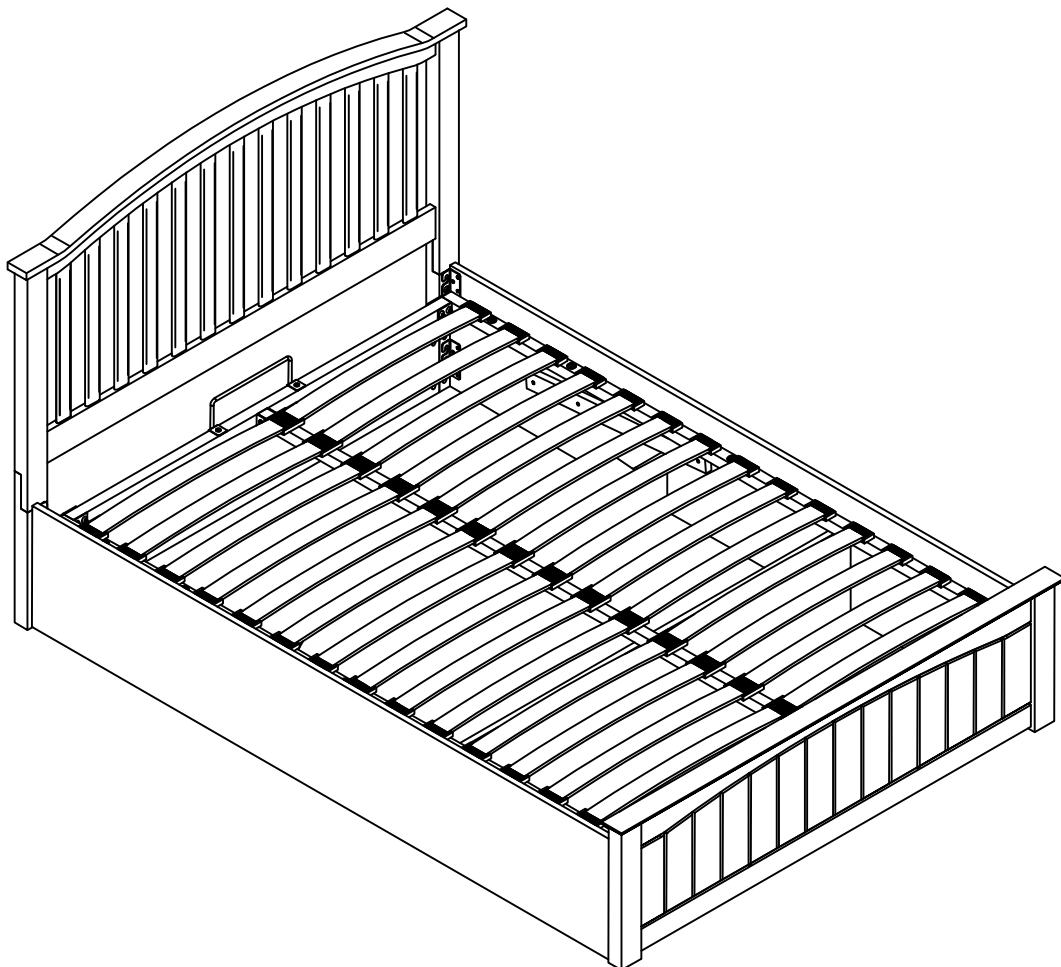
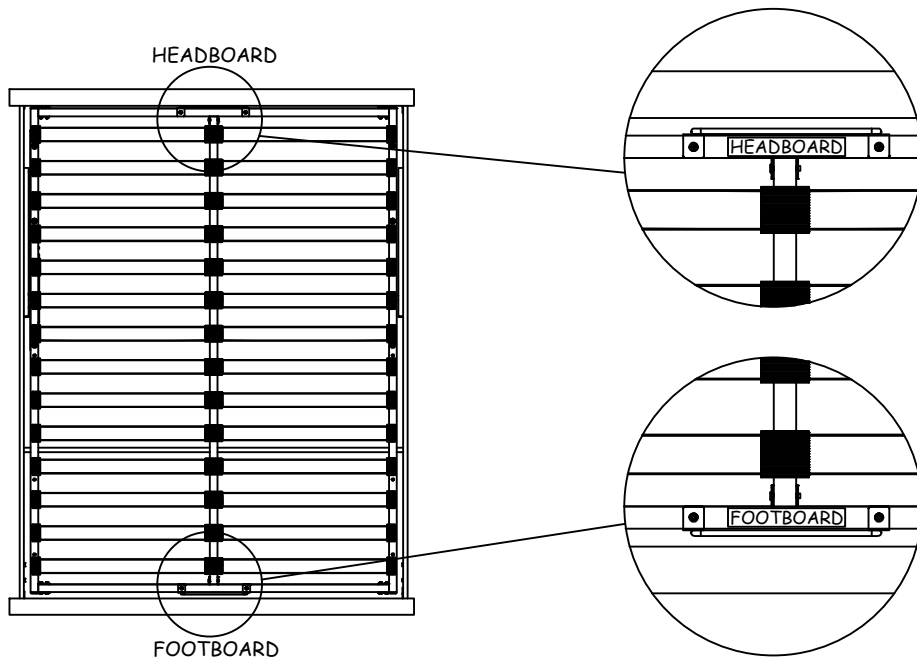


**Step 10:** Assemble the bed base on the right & left hydraulic frame and fix bolts **M** starting from ' 10.1 ' to ' 10.3 ' as shown and stick it the self adhesive **D** as shown.

Important note : **Do not tighten the bolts yet!**, and this assemble must be done by two persons.



**Step 11:** Tighten all bolts and screws now. Top view of assembly bed.  
DO NOT use any power tools as this may damage the frame and will invalidate any claim.

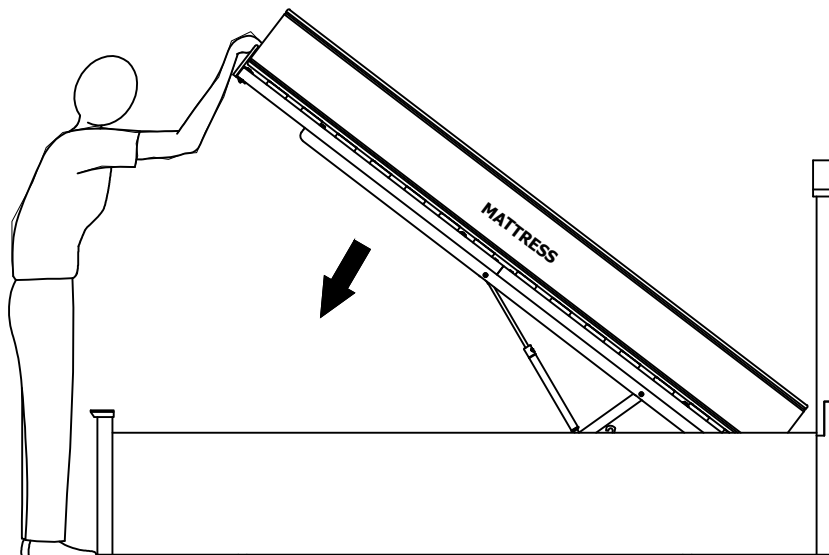


## IMPORTANT NOTE

WHEN THE BED IS BUILT AND THE MATTRESS FRAME IS AT 45 DEGREE ANGLE PLEASE PLACE THE MATTRESS ON THE BED.

PLEASE NOTE THAT THE WEIGHT OF THE MATTRESS IS REQUIRED TO HELP CLOSE THE BED.

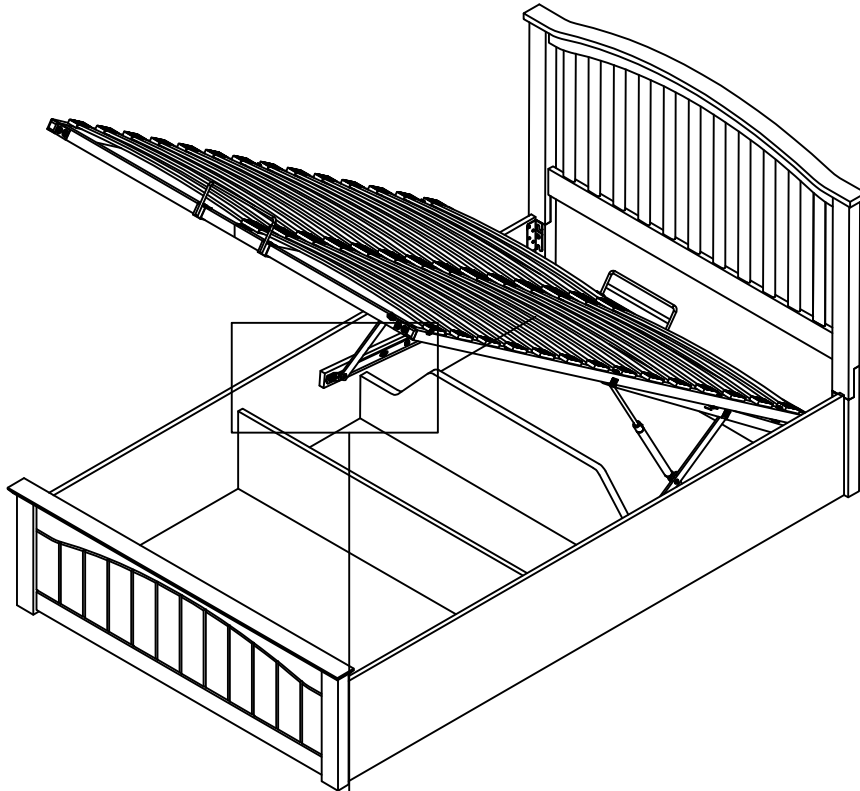
TO LOWER THE SLEEPING PLATFORM STAND AT THE FOOT END OF THE BED AND PUSH SHARPLY DOWNWARDS USING BOTH HANDS.



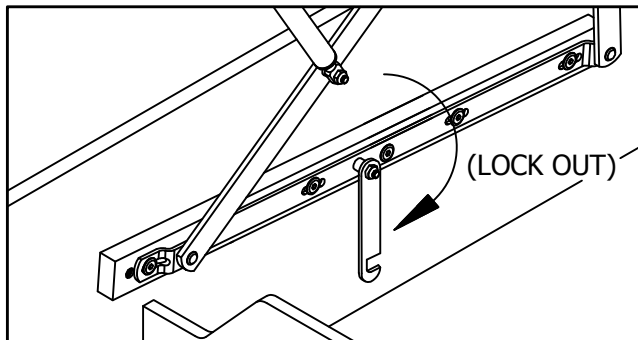
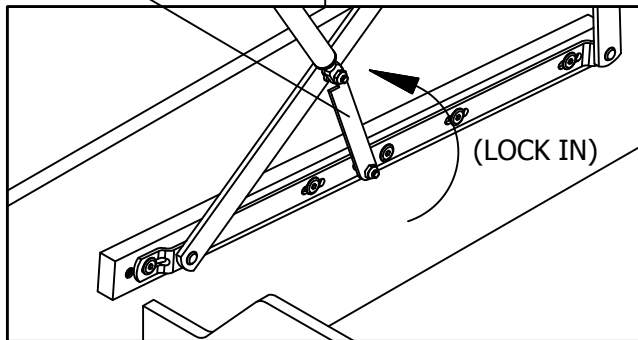
**WARNING:** Take care when assembling the base. Assemble the ottoman as closed to its final position. The Ottoman has a powerful, mechanism and after assembly should only be opened when the mattress is in place.

# CAUTION :

PLEASE USE HYDRAULIC PUMP STOPPER FOR SAFETY PURPOSE.



HYDRAULIC PUMP STOPPER



Please dispose of all packaging safely.

## General Care & Maintenance

Wipe clean with a slightly damp cloth.  
Avoid the use of all household cleaners and abrasives.

Periodically check all screw & fixings to ensure they are secure.

When moving your product, carefully lift into place. Never drag or push the product across the floor as this will cause damage to the joints. If the product is used on hard flooring, such as wood or laminated floor, you must place some protection under the legs to stop the product from moving. If this is not adhered to, it could result in failure to the product that will invalidate the warranty.

For more information on cleaning and product care visit:  
<https://www.happybeds.co.uk/help-and-advice>

## Notes

In the unlikely event that you have problems putting this product together or have damaged or missing parts, please contact us by visiting:  
<https://www.happybeds.co.uk/customer-service>