

Assembly Instructions

Important before assembly:

Read these instructions carefully before assembling or using the product.

Please check the contents of the boxes before attempting to assemble this product. The instructions will have a checklist of parts and fittings.

Assemble the product as close to its intended final location/room as possible.

Health & Safety:

This product or some parts of this product will be heavy. Please use an assistant when lifting.

Please keep small parts out of reach of children.

Always use on a level, even surface.

DO NOT jump on the product or any of its parts.

DO NOT use this product if any parts are missing, damaged or worn.

DO NOT use this product unless all fixings are secured.

Further instructions are on the following pages.

Please keep these instructions for future reference.



This product or some parts of this product will be heavy. Please use an assistant when lifting.



Never drag or push the pieces across a hard or stone floor as this will cause damage to the joints. Use a carpet or a rug for extra care.



If you have problems assembling or have damaged or missing pieces, please contact our customer services (details at the back of these instructions)



Important for Ottoman and other gas lift beds

Note:

The bed base is in the upright position when first assembled as the gas lifts are fully extended during shipment for safety. After assembly a firm downward push will be required to overcome any resistance in the gas lifts as these may initially stick. We suggest placing a mattress on top of the bed base to aide this and also test the operation of your new lift up bed by lifting and pushing down the bed base a few times to allow the lifting mechanism to bed in.

The lift mechanism provides assistance with the lift of the mattress fitted to the base. It does not lift the mattress for you. The system has been designed to effectively lift the base system fitted with a variety of mattress weights and combinations of depths. Depending on the combination of the mattress weight and depth determines the degree of assistance provided by the mechanism.

Following the installation of the mechanism lift, pull the base up and down a few times to free off the system. The gas cylinders fitted to the system may be stiff when first used or if the system has not been operated for a period of time.

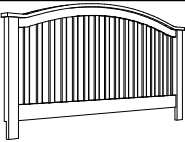
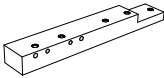
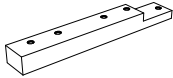
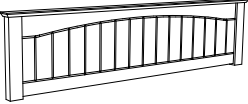
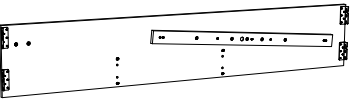
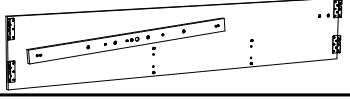





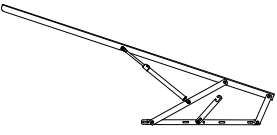


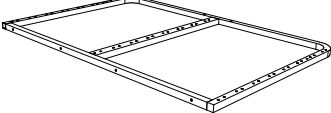
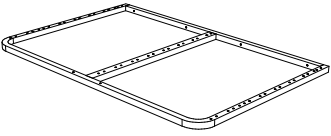
Use the strap handles to lift up the mattress base using two hands. Pull the mattress base down using two hands equally spaced from the centre of the mattress base. DO NOT pull down on one side of the base only as this is likely to damage the base system with potential failure of the mattress base system and lift mechanism.

Do NOT operate the lift up mechanism without the mattress placed on the base.

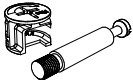
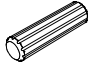
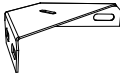
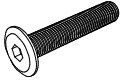
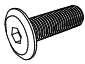

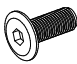
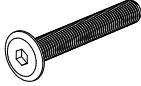
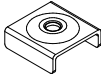
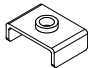
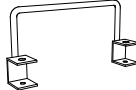
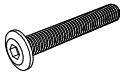
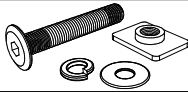

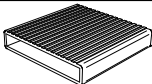



Caution:

Do NOT allow children to operate the lift mechanism.
Do NOT allow children near the lift base when operating the mechanism.
Do NOT allow children in the area of the internal storage base.
Keep hands clear of the mechanism when operating the base system.
Do NOT stand inside the bed or the internal storage base.
Do NOT overload the internal storage base.

Parts List

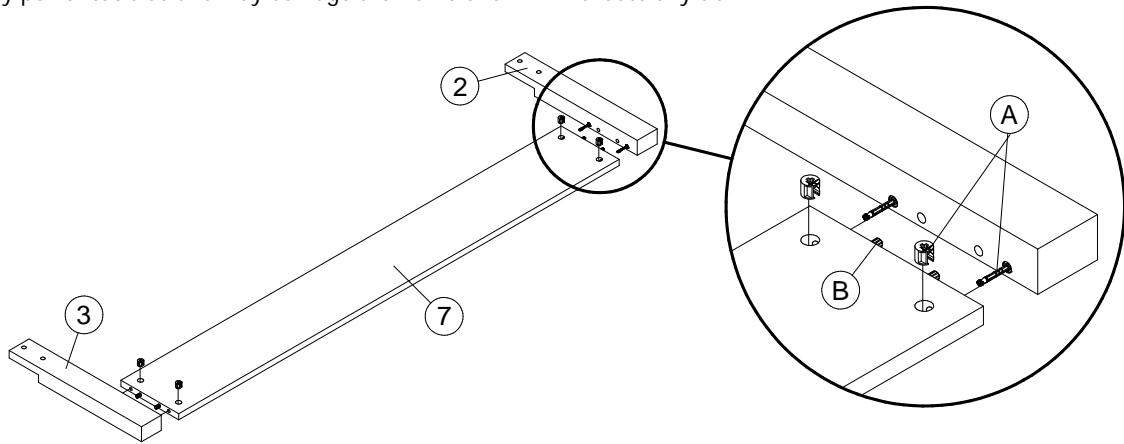
Part	Description		Box	Qty
1	Headboard Frame		1/5	1
2	Left Wooden Post		1/5	1
3	Right Wooden Post		1/5	1
4	Footboard Frame		2/5	1
5	Left Side Rail		5/5	1
6	Right Side Rail		5/5	1
7	Back Storage Panel		3/5	1
8	Center Storage Panel		3/5	2
9	Small Base Panel		1/5	1
10	Large Base Panel		1/5	3
11	Wooden Sprung Slats		4/5	32
12	Left Hydraulic Base Support with Stopper		5/5	1
13	Right Hydraulic Base Support		5/5	1
14	Hydraulic Pump		5/5	2
15	Back Bed Base		4/5	1
16	Front Bed Base		4/5	1

Hardware List

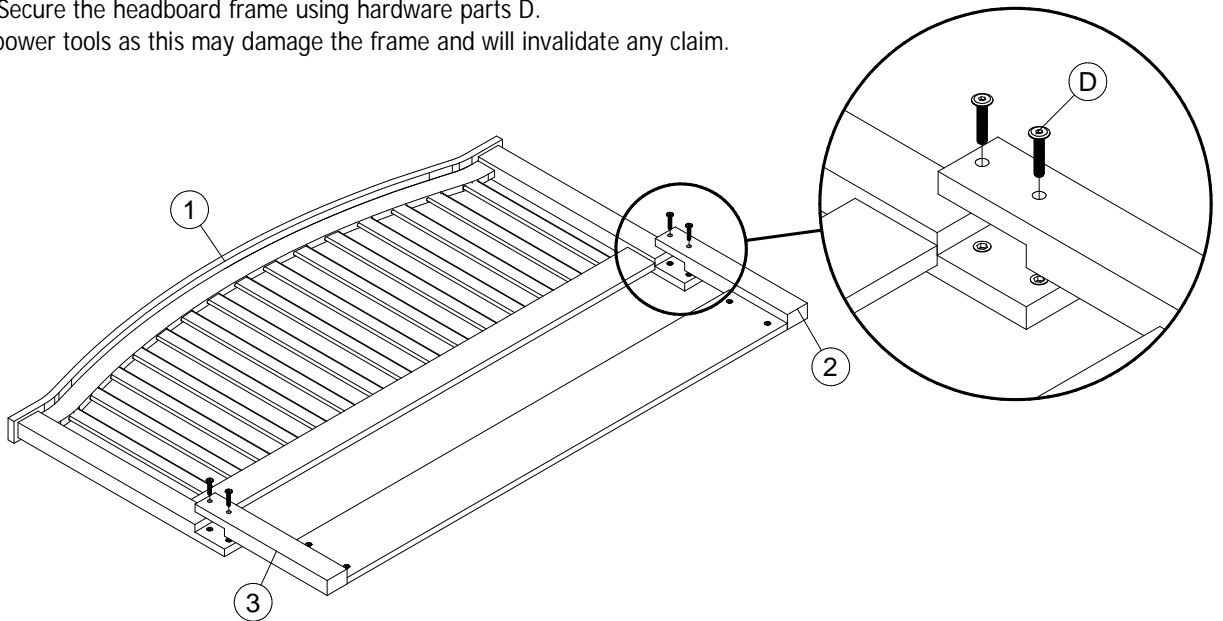
Part	Description		Box	Qty
A	MINI FIX		4/5	12
B	WOODEN DOWEL		4/5	12
C	ML-CB (METAL CORNER SUPPORT)		4/5	2
D	JCBC BOLT M8 x 35mm		4/5	4
E	JCBC BOLT M8 x 25MM		4/5	16
F	JCBC BOLT M8 x 15MM		4/5	8
G	JCBC BOLT M8 x 20MM		4/5	10
H	JCBC BOLT M8 x 75MM		4/5	4
I	M8 FLAT WASHER		4/5	4
J	BASE NUT		4/5	4
K	BASE HANDLE		4/5	2
L	JCBC BOLT M6 x 40MM		4/5	4
M	JCBC BOLT M8 x 45mm c/W SPRING WASHER, FLAT WASHER & NUT BRACKET		4/5	6
N	SINGLE END PLASTIC CAP		4/5	32
O	DOUBLE END PLASTIC CAP		4/5	16
P	ALLEN KEY - M6		4/5	1
Q	ALLEN KEY - M8		4/5	1
R	M12.8 SPANNER		4/5	1

** You will also need a screwdriver and small mallet (not provided).

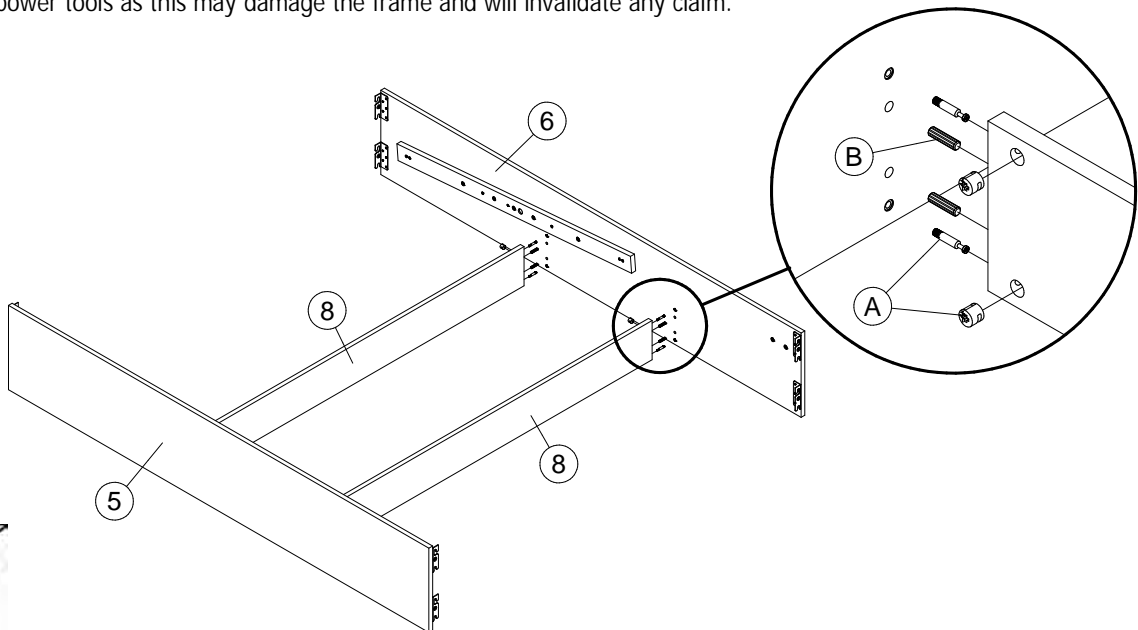
Step 1: Attach the back storage panel (7) to the left wooden post (2) and right wooden post (3). Secure the back storage panel with hardware parts A and B. DO NOT use any power tools as this may damage the frame and will invalidate any claim.



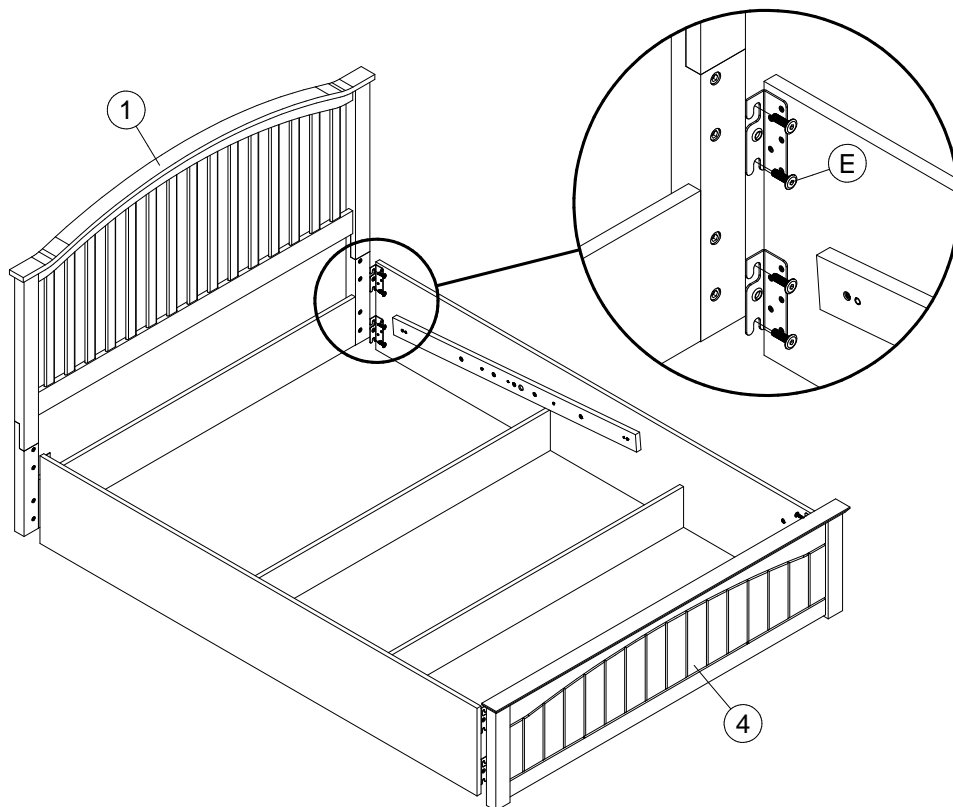
Step 2: Attach the headboard frame (1) to the left wooden post (2) and right wooden post (3). Secure the headboard frame using hardware parts D. DO NOT use any power tools as this may damage the frame and will invalidate any claim.



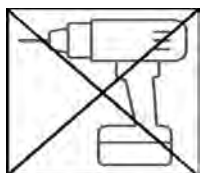
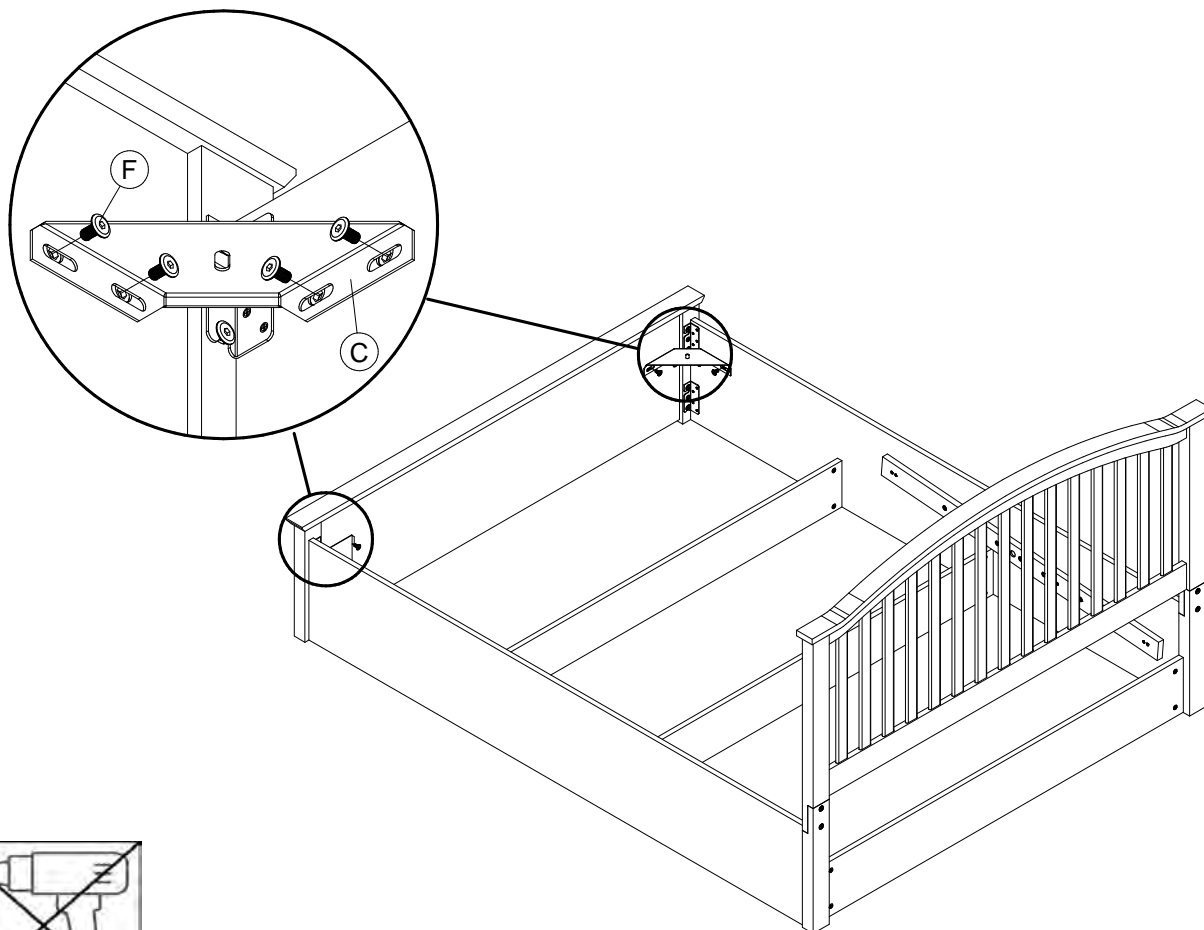
Step 3: Join together the left side rail (5) and right side rail (6) with the centre storage panels (8) using hardware parts A and B. DO NOT use any power tools as this may damage the frame and will invalidate any claim.



Step 4: Attach the headboard frame (1) and footboard (4) using hardware part E.
DO NOT use any power tools as this may damage the frame and will invalidate any claim.

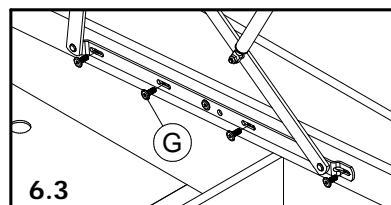
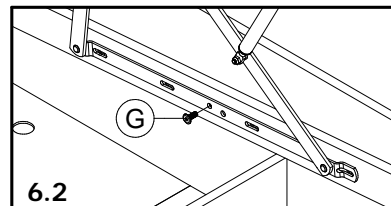
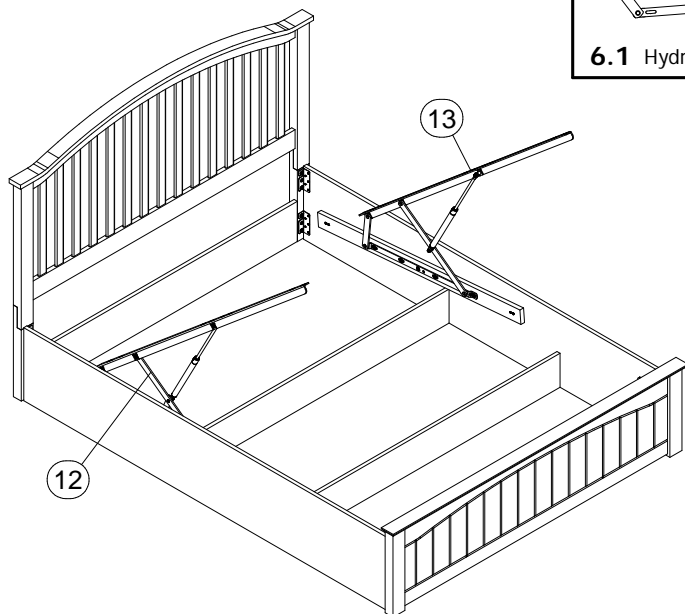
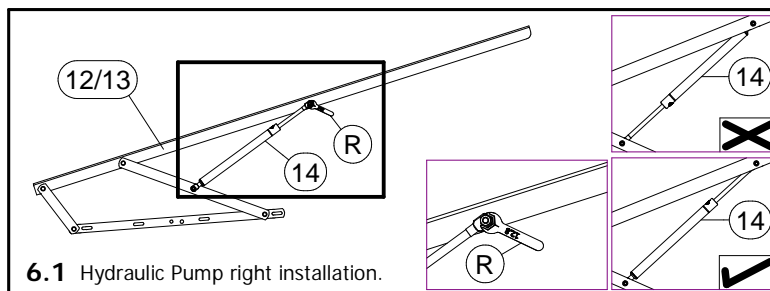


Step 5: Attach hardware part C using hardware parts F.
DO NOT use any power tools as this may damage the frame and will invalidate any claim.

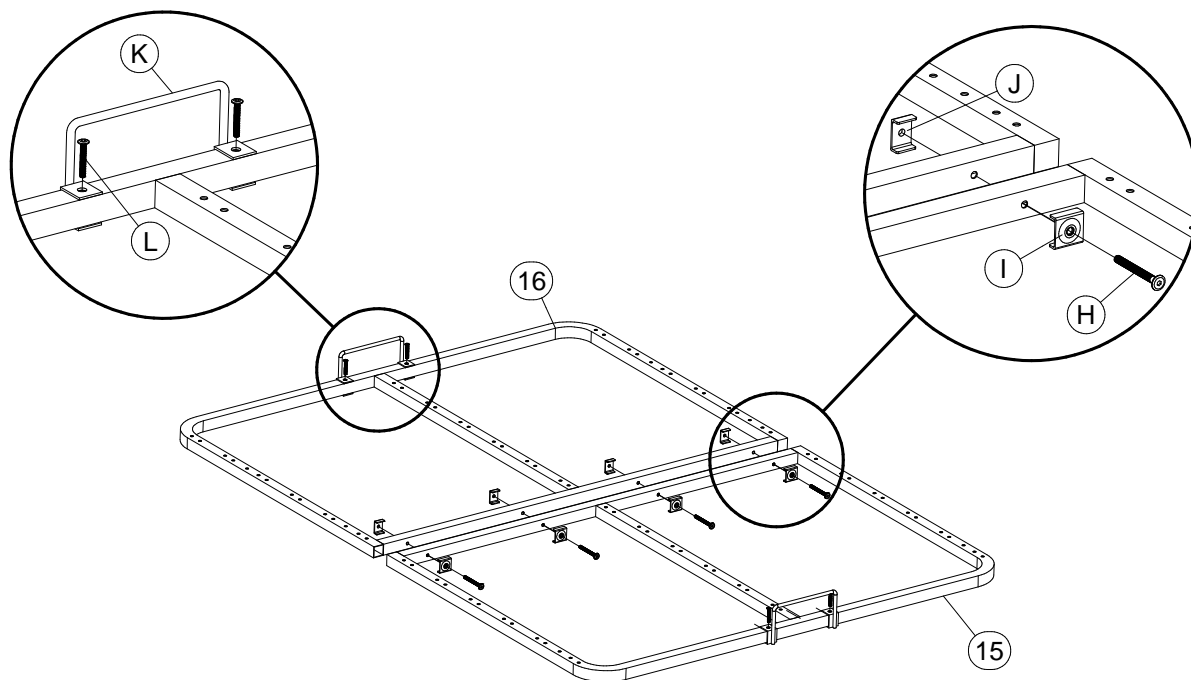


Do Not Use Power Tools

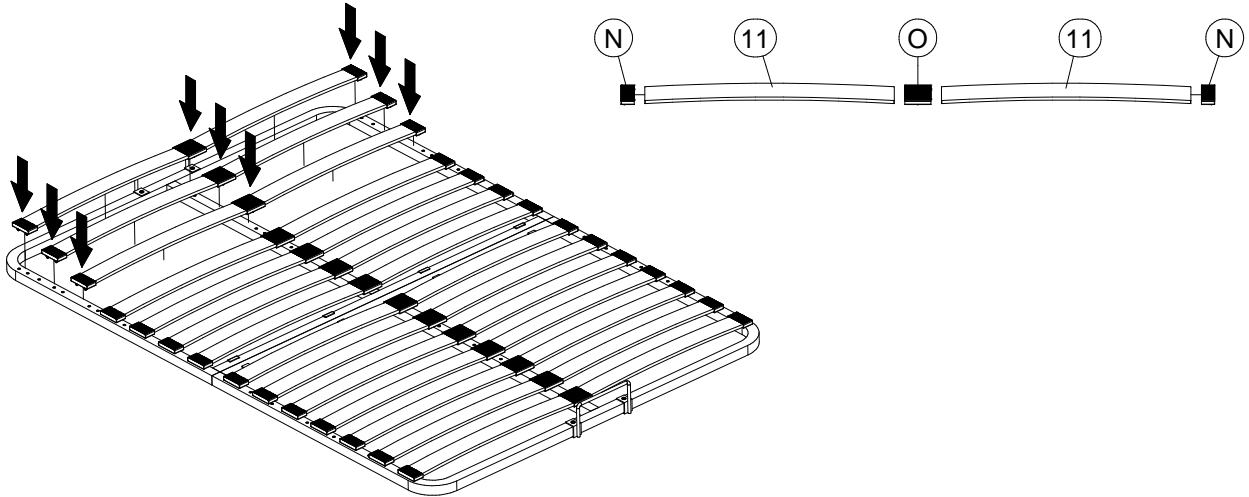
Step 6: Attach the hydraulic pumps (14) to the left hydraulic base support (12) and right hydraulic base support (13) using hardware R. After that fix the base supports to the side rails using hardware part G as shown in Fig 6.2 – do not fully tighten yet. Insert the remainder of hardware part G and fully tighten all bolts.
DO NOT use any power tools as this may damage the frame and will invalidate any claim.



Step 7: Join together the back bed base (15) and front bed base (16) using hardware parts H, I and J. Attach hardware parts K using hardware part L.
DO NOT use any power tools as this may damage the frame and will invalidate any claim.

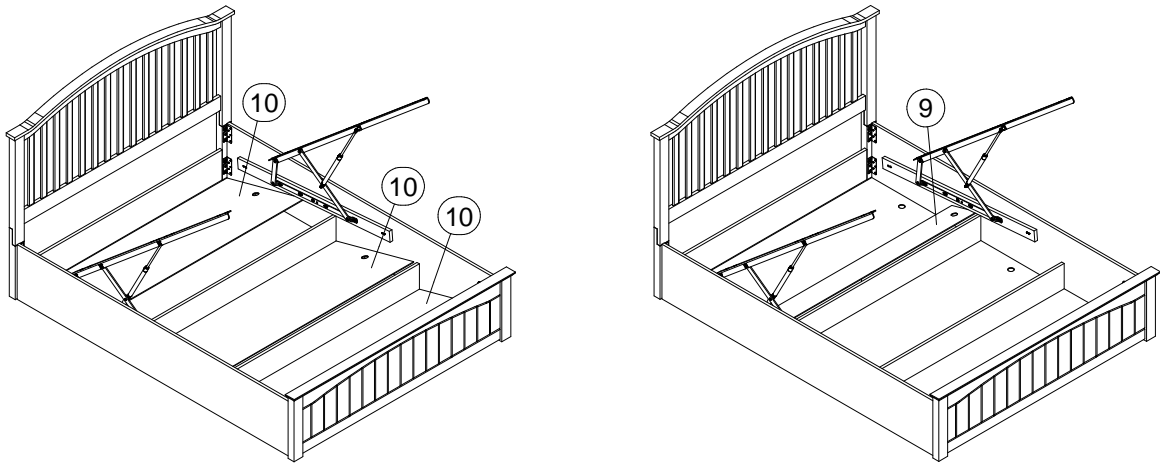


Step 8: Insert the slats (11) to hardware parts N and O then press into the base making sure they are secure. DO NOT use any power tools as this may damage the frame and will invalidate any claim.



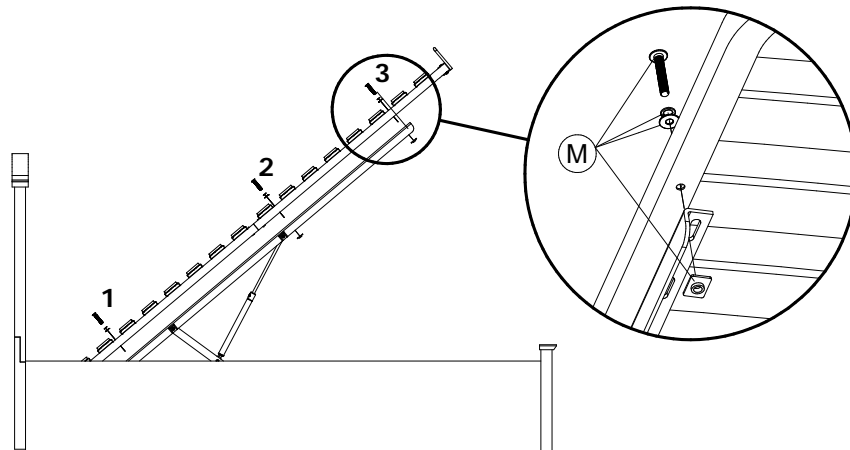
Step 9: Insert the small base panel (9) and large base panels (10).

DO NOT use any power tools as this may damage the frame and will invalidate any claim.

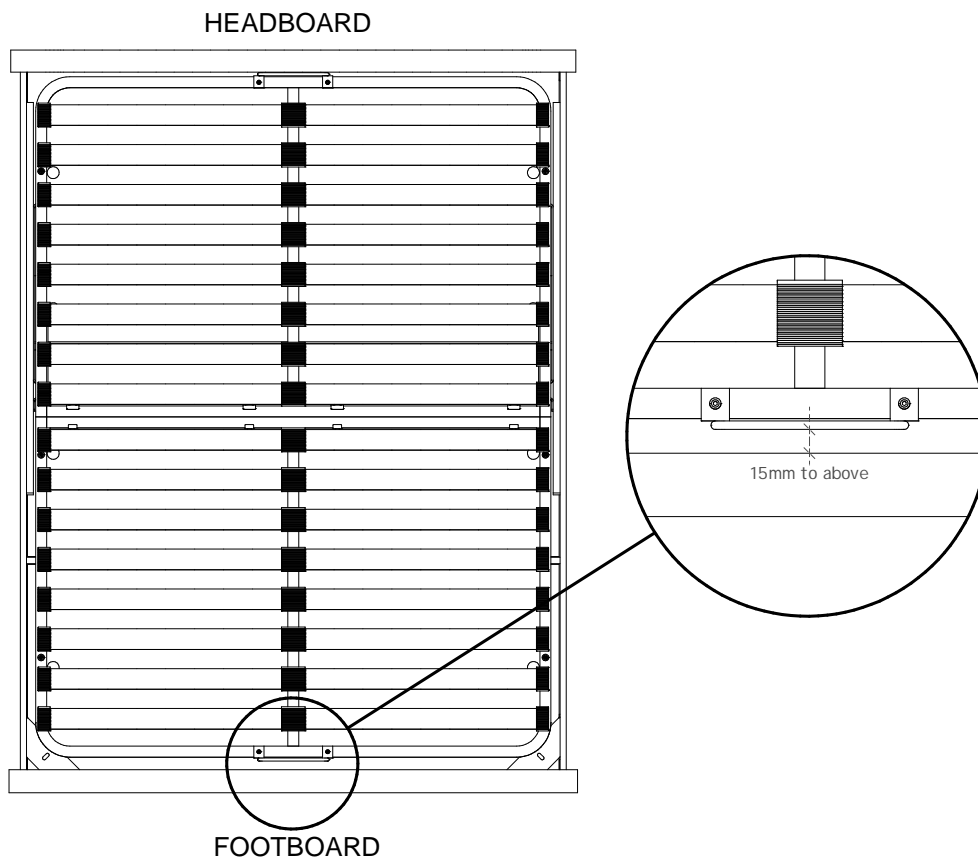


Step 10: Attach the bed base to the hydraulic frames using hardware part M. Fix the bolts starting from area 1 and finishing in area 3 – do not fully tighten the bolts yet.

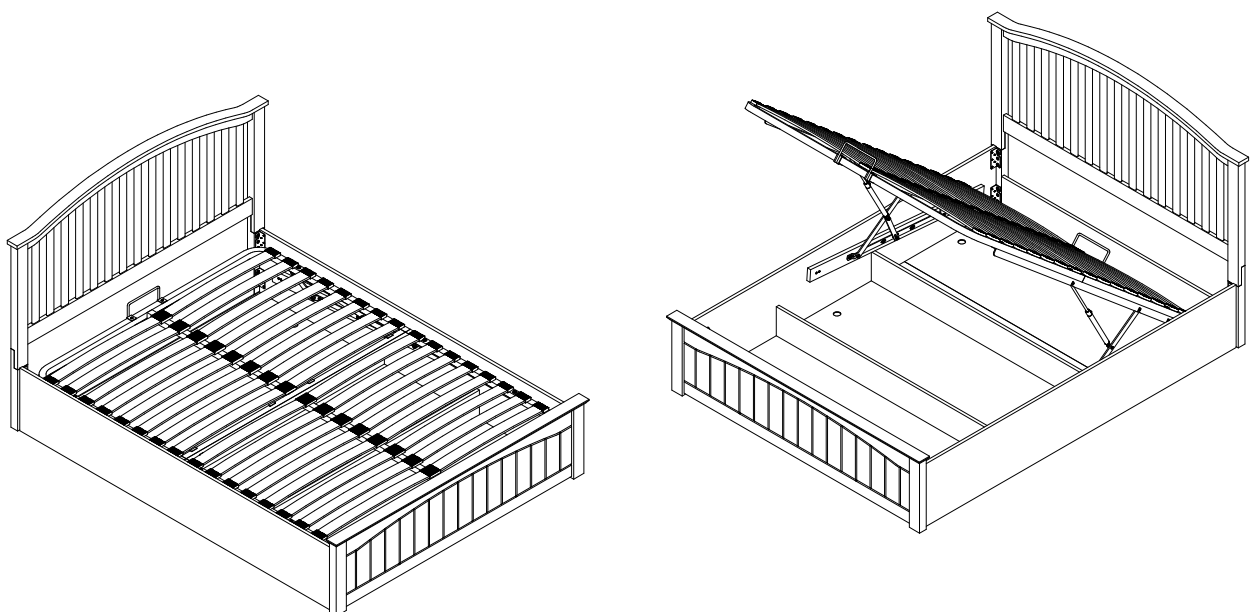
DO NOT use any power tools as this may damage the frame and will invalidate any claim.



Step 11: Adjust the bed base making sure that the distance to the footboard is approximately 15 mm to above. Tighten all bolts and screws now. DO NOT use any power tools as this may damage the frame and will invalidate any claim.



THE BED HAS BEEN FULLY ASSEMBLED

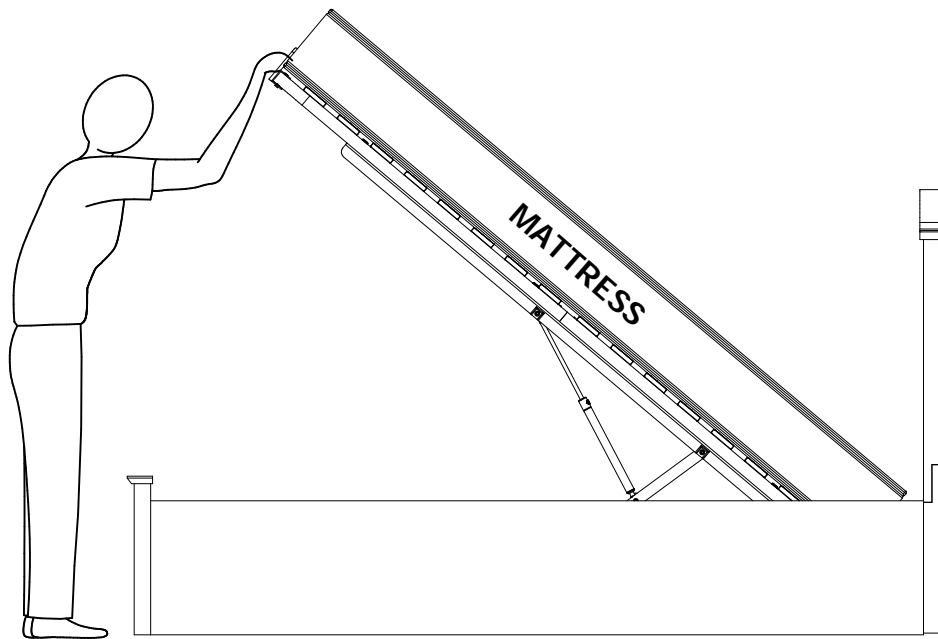


" IMPORTANT NOTE "

WHEN THE BED IS BUILT AND THE MATTRESS FRAME IS AT 45 DEGREE ANGLE PLEASE PLACE THE MATTRESS ON THE BED.

PLEASE NOTE THAT THE WEIGHT OF THE MATTRESS IS REQUIRED TO HELP CLOSE THE BED.

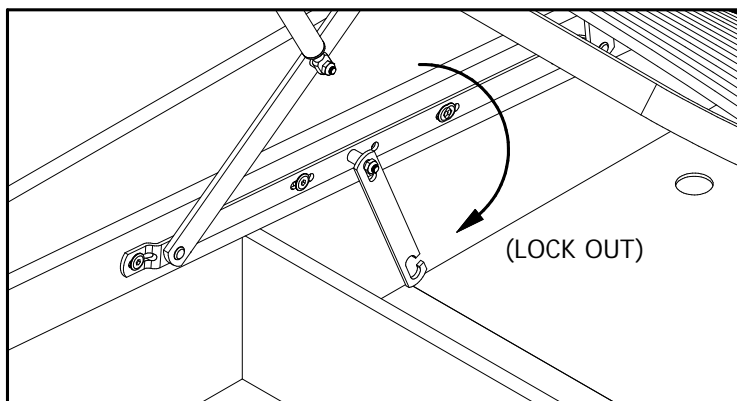
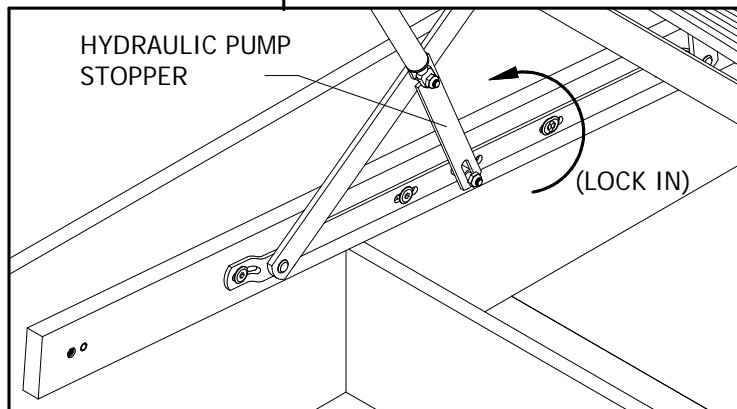
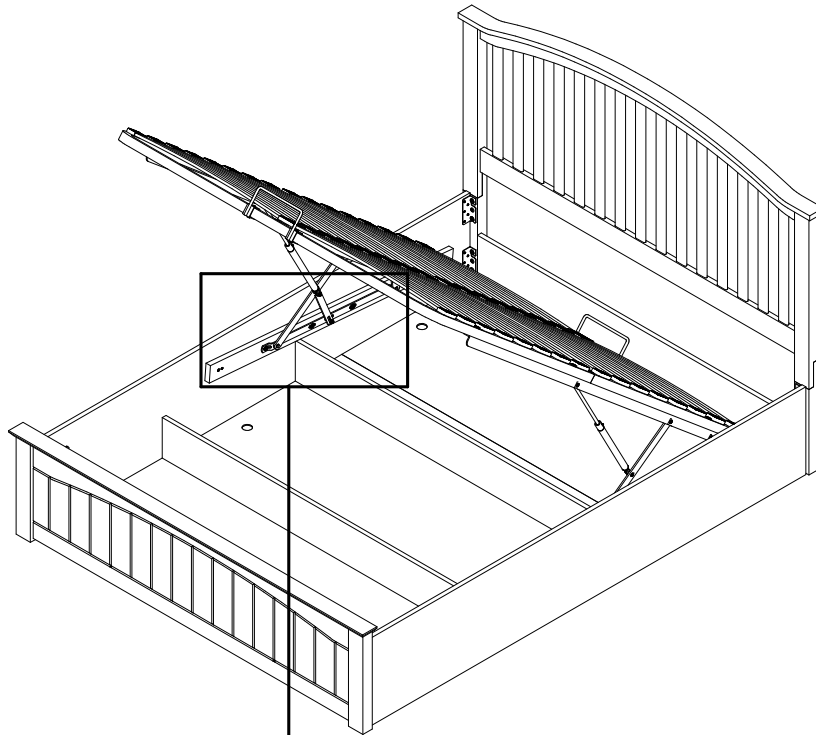
TO LOWER THE SLEEPING PLATFORM STAND AT THE SIDE RAIL OF THE BED AND PUSH SHARPLY DOWNWARDS USING BOTH HANDS.



WARNING: Take care when assembling the base. Assemble the ottoman as closed to its final position. The Ottoman has a powerful, mechanism and after assembly should only be opened when the mattress is in place.

CAUTION :

PLEASE USE HYDRAULIC PUMP STOPPER FOR SAFETY PURPOSE.



Please dispose of all packaging safely.

General Care & Maintenance

Wipe clean with a slightly damp cloth.
Avoid the use of all household cleaners and abrasives.

Periodically check all screw & fixings to ensure they are secure.

When moving your product, carefully lift into place. Never drag or push the product across the floor as this will cause damage to the joints. If the product is used on hard flooring, such as wood or laminated floor, you must place some protection under the legs to stop the product from moving. If this is not adhered to, it could result in failure to the product that will invalidate the warranty.

For more information on cleaning and product care visit:
<https://www.happybeds.co.uk/help-and-advice>

Notes

In the unlikely event that you have problems putting this product together or have damaged or missing parts, please contact us by visiting:
<https://www.happybeds.co.uk/customer-service>