

Assembly Instructions

Important before assembly:

Read these instructions carefully before assembling or using the product.

Please check the contents of the boxes before attempting to assemble this product. The instructions will have a checklist of parts and fittings.

Assemble the product as close to its intended final location/room as possible.

Health & Safety:

This product or some parts of this product will be heavy. Please use an assistant when lifting.

Please keep small parts out of reach of children.

Always use on a level, even surface.

DO NOT jump on the product or any of its parts.

DO NOT use this product if any parts are missing, damaged or worn.

DO NOT use this product unless all fixings are secured.

Further instructions are on the following pages.

Please keep these instructions for future reference.



This product or some parts of this product will be heavy. Please use an assistant when lifting.



Never drag or push the pieces across a hard or stone floor as this will cause damage to the joints. Use a carpet or a rug for extra care.



If you have problems assembling or have damaged or missing pieces, please contact our customer services (details at the back of these instructions)



Important for Ottoman and other gas lift beds

Note:

The bed base is in the upright position when first assembled as the gas lifts are fully extended during shipment for safety. After assembly a firm downward push will be required to overcome any resistance in the gas lifts as these may initially stick. We suggest placing a mattress on top of the bed base to aid this and also test the operation of your new lift up bed by lifting and pushing down the bed base a few times to allow the lifting mechanism to bed in.

The lift mechanism provides assistance with the lift of the mattress fitted to the base. It does not lift the mattress for you. The system has been designed to effectively lift the base system fitted with a variety of mattress weights and combinations of depths. Depending on the combination of the mattress weight and depth determines the degree of assistance provided by the mechanism.

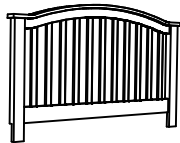
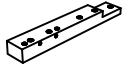
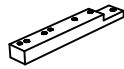
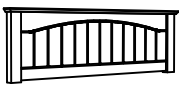
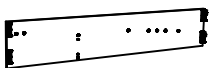



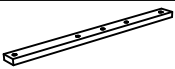



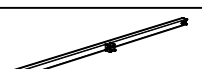

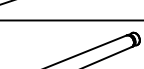

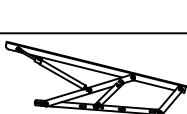


Following the installation of the mechanism lift, pull the base up and down a few times to free off the system. The gas cylinders fitted to the system may be stiff when first used or if the system has not been operated for a period of time.










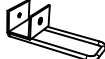







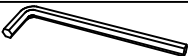

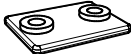
Use the strap handles to lift up the mattress base using two hands. Pull the mattress base down using two hands equally spaced from the centre of the mattress base. DO NOT pull down on one side of the base only as this is likely to damage the base system with potential failure of the mattress base system and lift mechanism.

Do NOT operate the lift up mechanism without the mattress placed on the base.

Caution:

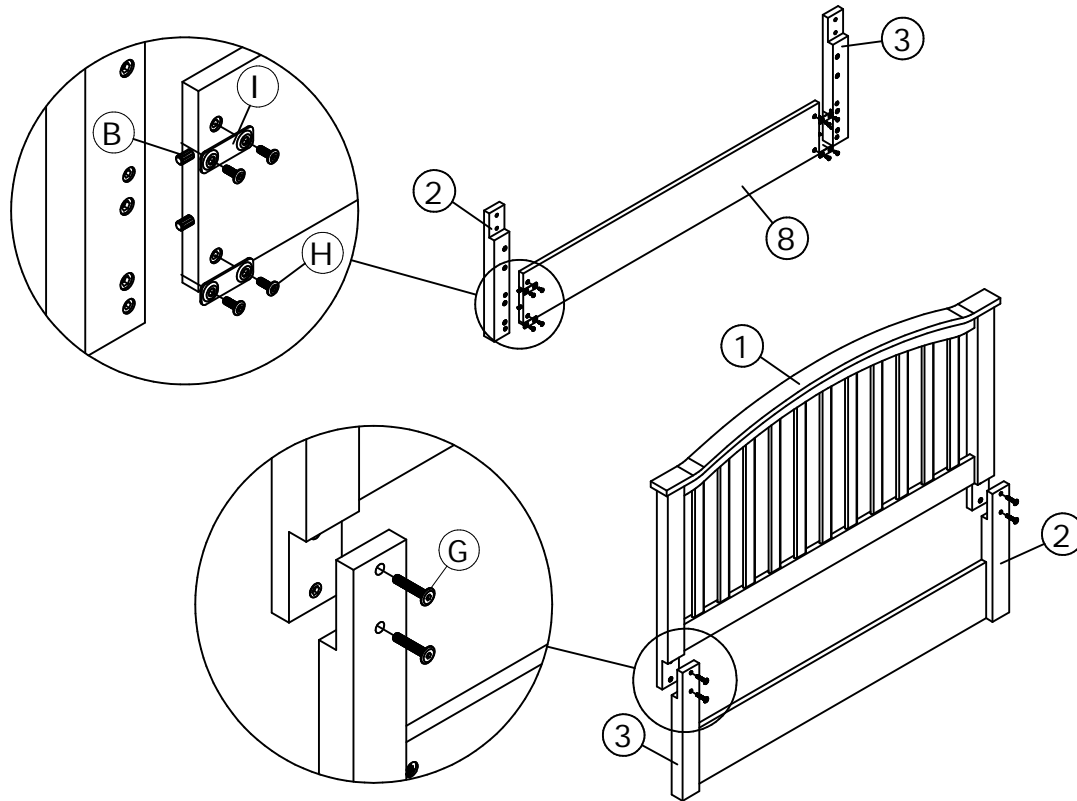
Do NOT allow children to operate the lift mechanism.
Do NOT allow children near the lift base when operating the mechanism.
Do NOT allow children in the area of the internal storage base.
Keep hands clear of the mechanism when operating the base system.
Do NOT stand inside the bed or the internal storage base.
Do NOT overload the internal storage base.

Parts List				
Parts	Description		Qty	Box
1	Headboard Frame		1	1 / 4
2	Left Wooden Post		1	
3	Right Wooden Post		1	
4	Footboard		1	2 / 4
5	Left Side Rail		1	4 / 4
6	Right Side Rail		1	
7	Centre Storage Panel		1	
8	Back Storage Panel		1	
9	Hydraulic Arm Spacer		2	3 / 4
10	Left Side Metal Bar		1	
11	Right Side Metal Bar		1	
12	Headboard End Metal Bar		1	
13	Footboard End Metal Bar		1	
14	Center Metal Bar		1	
15	Support Leg		2	
16	Slat		28	
17	Left Hydraulic Base Support c/w Pump Stopper		1	
18	Right Hydraulic Base Support		1	
19	Hydraulic Base Pump		2	

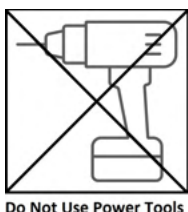
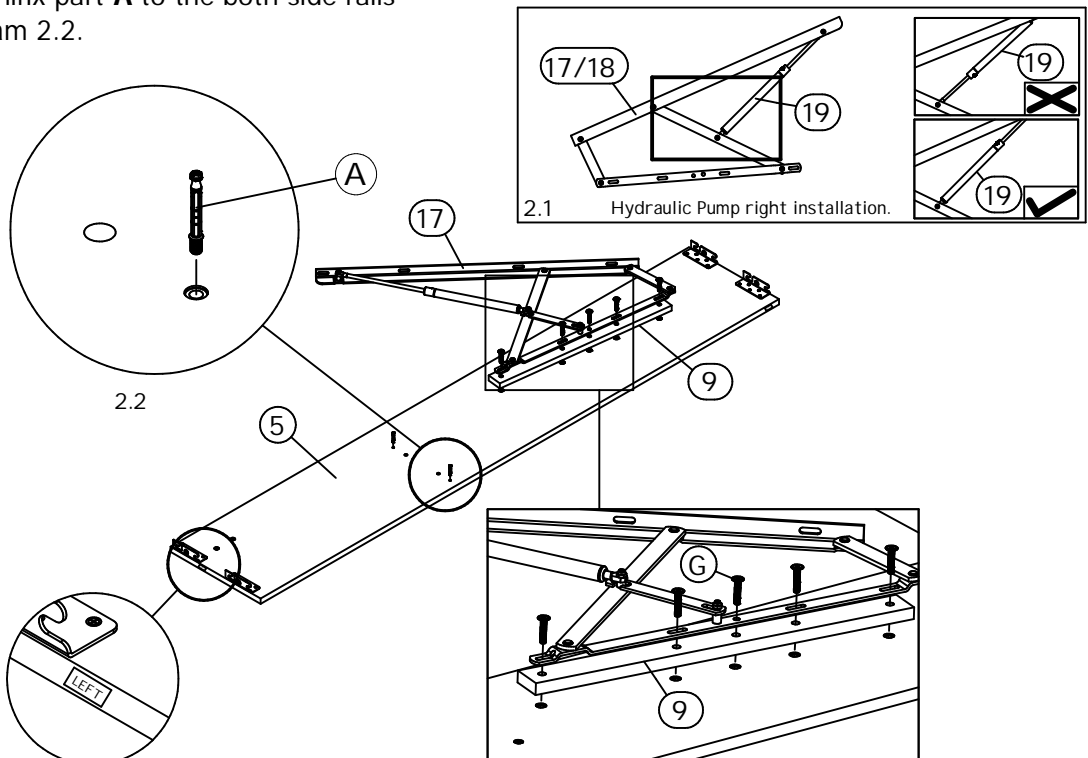
Hardware List (Found in box #)				
Parts	Description		Qty	Box
A	Mini Fix		4	3 / 4
B	8 x 30 mm Wooden Dowel		8	
C	Metal Corner Block		2	
D	Self adhesive 4mm X 35mm		2	
E	M8 x 25 mm JCBC Bolt RBW		16	
F	M8 x 15 mm JCBC Bolt RBW		8	
G	M8 x 35 mm JCBC Bolt RBW		14	
H	M6 x 15 mm JCBC Bolt RBW		8	
I	Bracket 20mm x 58mm RBW		4	
J	Base Handle		2	
K	Belt Handle		1	
L	M6 x 40 mm JCBC Bolt BLK		12	
M	M8 x 45 mm JCBB Bolt RBW with Nut Bracket, Spring & Flat Washer		6	
N	Single Slat Cap		28	
O	Double Slat Cap		14	
P	Flat Washer		8	3 / 4
Q	M6 Allen Key		1	
R	M8 Allen Key		1	
S	M12.8 Spanner		1	
T	Washer Bracket		4	

** You will also need a screwdriver and small mallet (not provided).

Step 1: Attach the back storage panel (8) to the left wooden post (2) and right wooden post (3). Secure the back storage panel with hardware parts **B**, **H** and **I**. After that attach headboard frame (1) to the left (2) and right (3) wooden post as shown. Secure the headboard frame using hardware parts **G**. DO NOT use any power tools as this may damage the frame and will invalidate any claim.

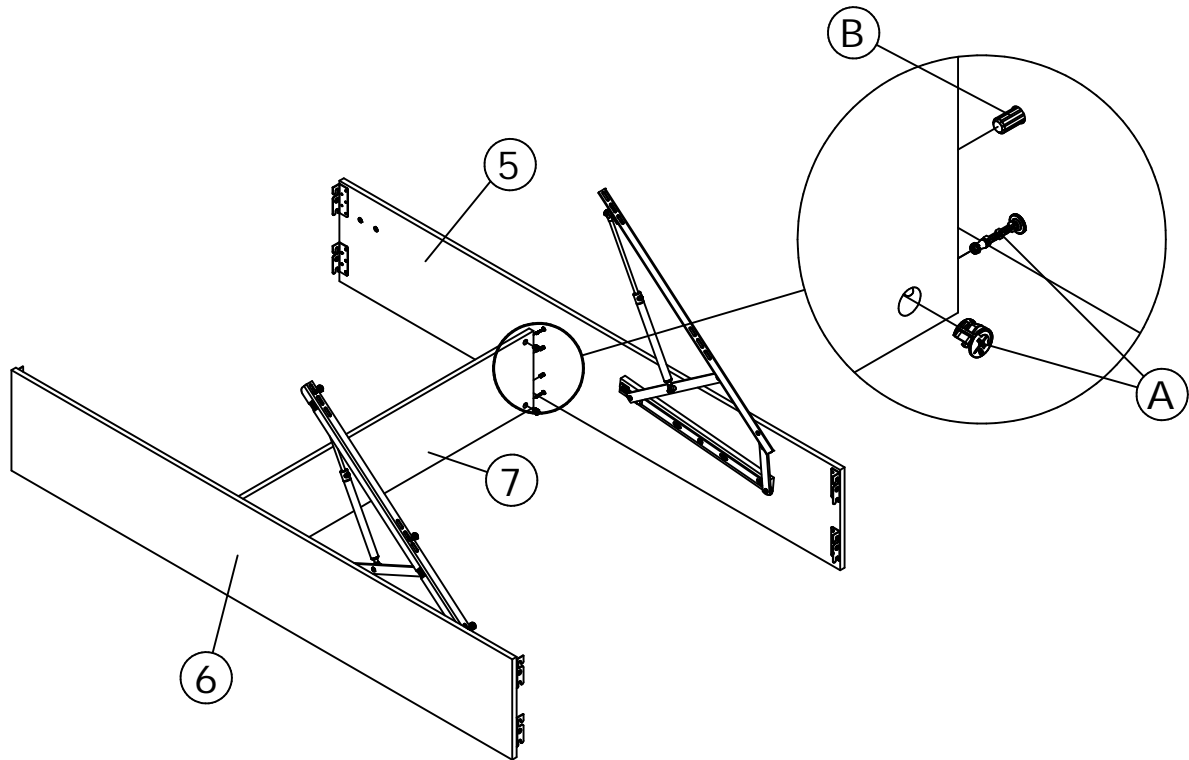


Step 2: Firstly, fix the hydraulic pump to each hydraulic base as shown in diagram 2.1. Next, fix the left & right hydraulic spacer together with hydraulic base supporter to the both side rails using bolts **G** and then screw the minifix part **A** to the both side rails as shown in diagram 2.2.



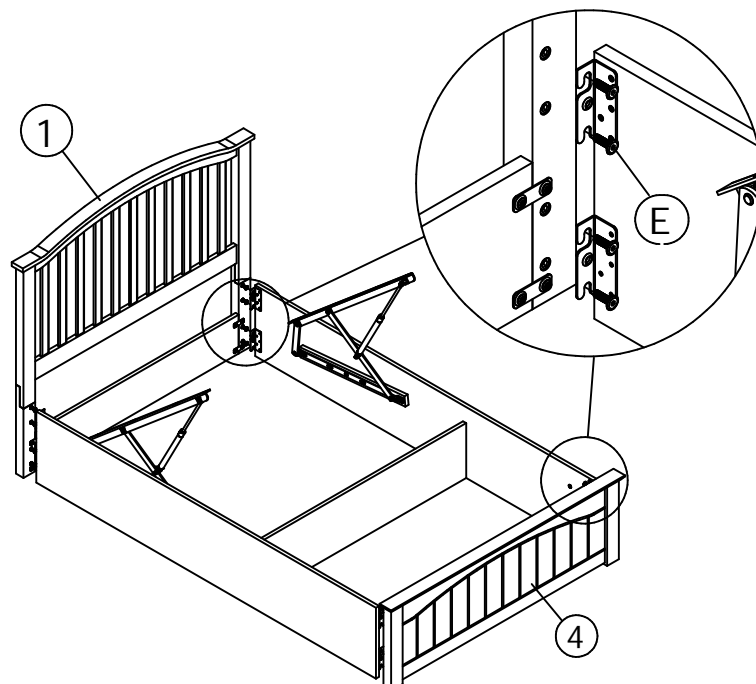
Step 3: Join together the left side rail (5) and right side rail (6) with the centre storage panels (7) using hardware parts **A** and **B**.

DO NOT use any power tools as this may damage the frame and will invalidate any claim.



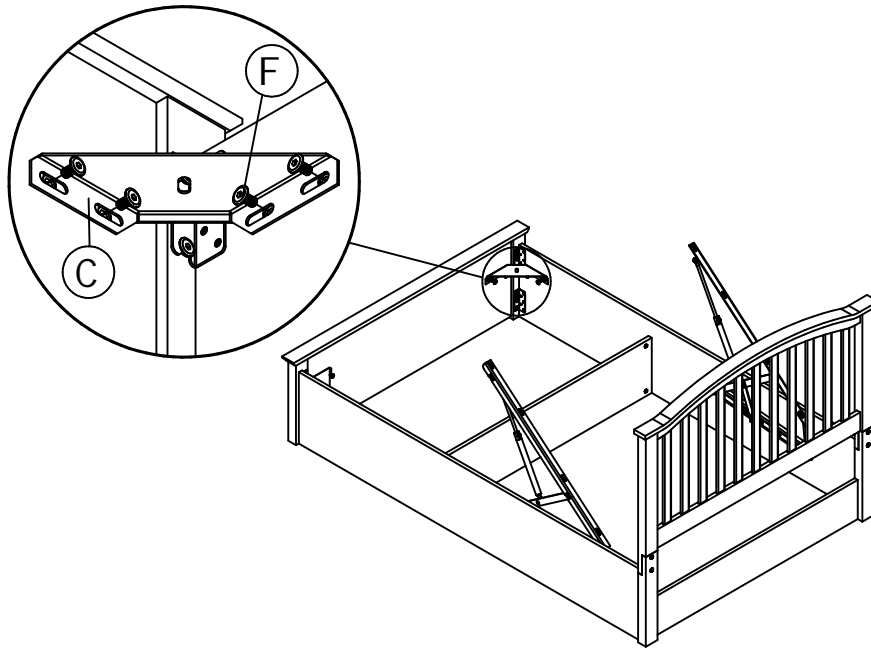
Step 4: Attach the headboard frame (1) and footboard (4) using hardware part E.

DO NOT use any power tools as this may damage the frame and will invalidate any claim.

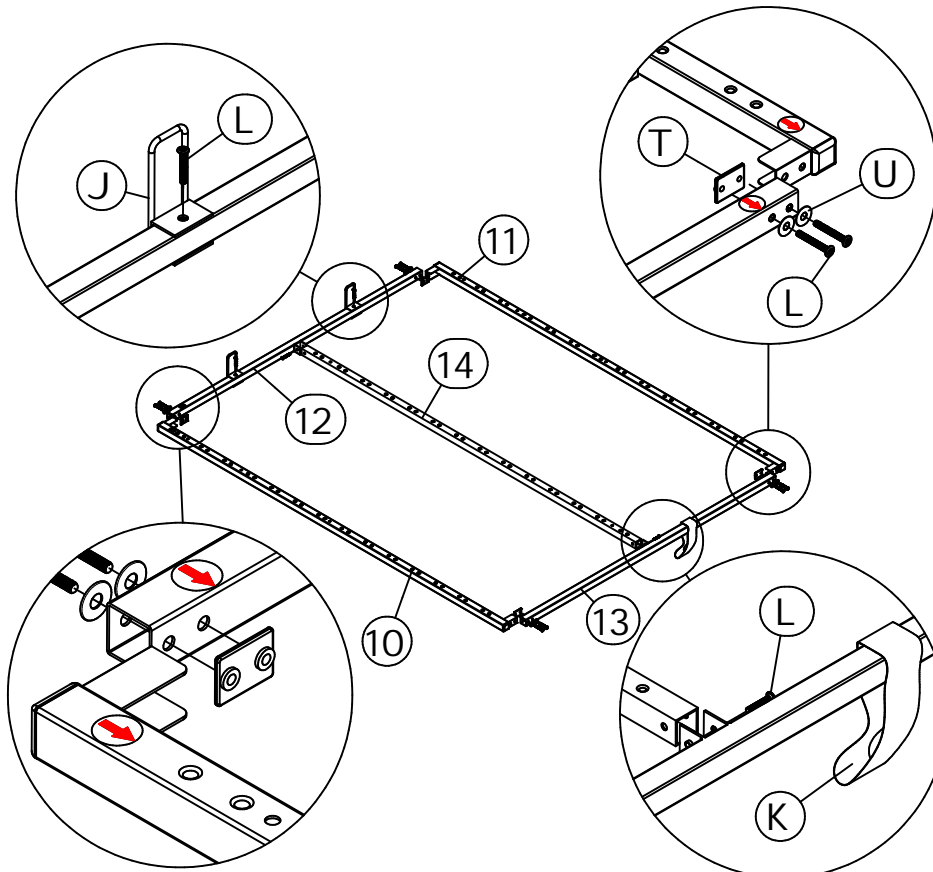


Do Not Use Power Tools

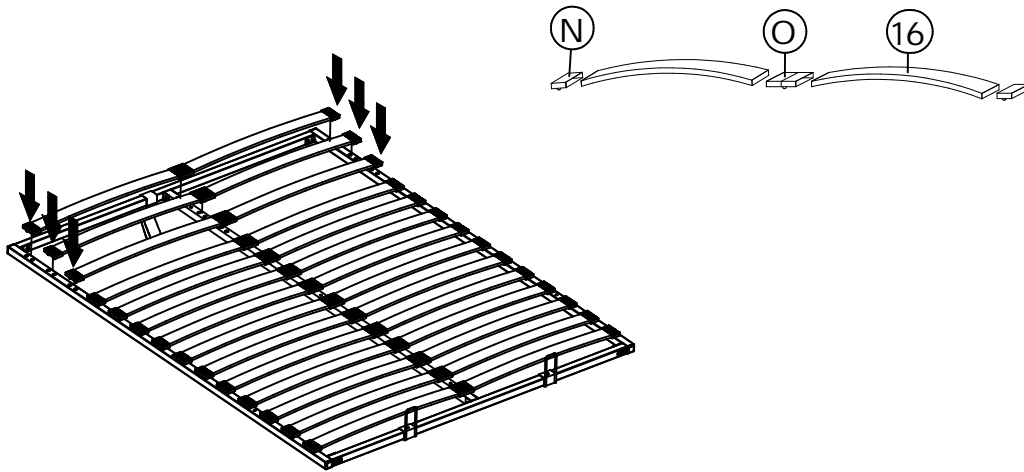
Step 5: Fix metal corner block **C** to the edge of footboard and side rails with bolt **F** as shown. DO NOT use any power tools as this may damage the frame and will invalidate any claim.



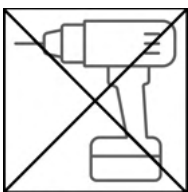
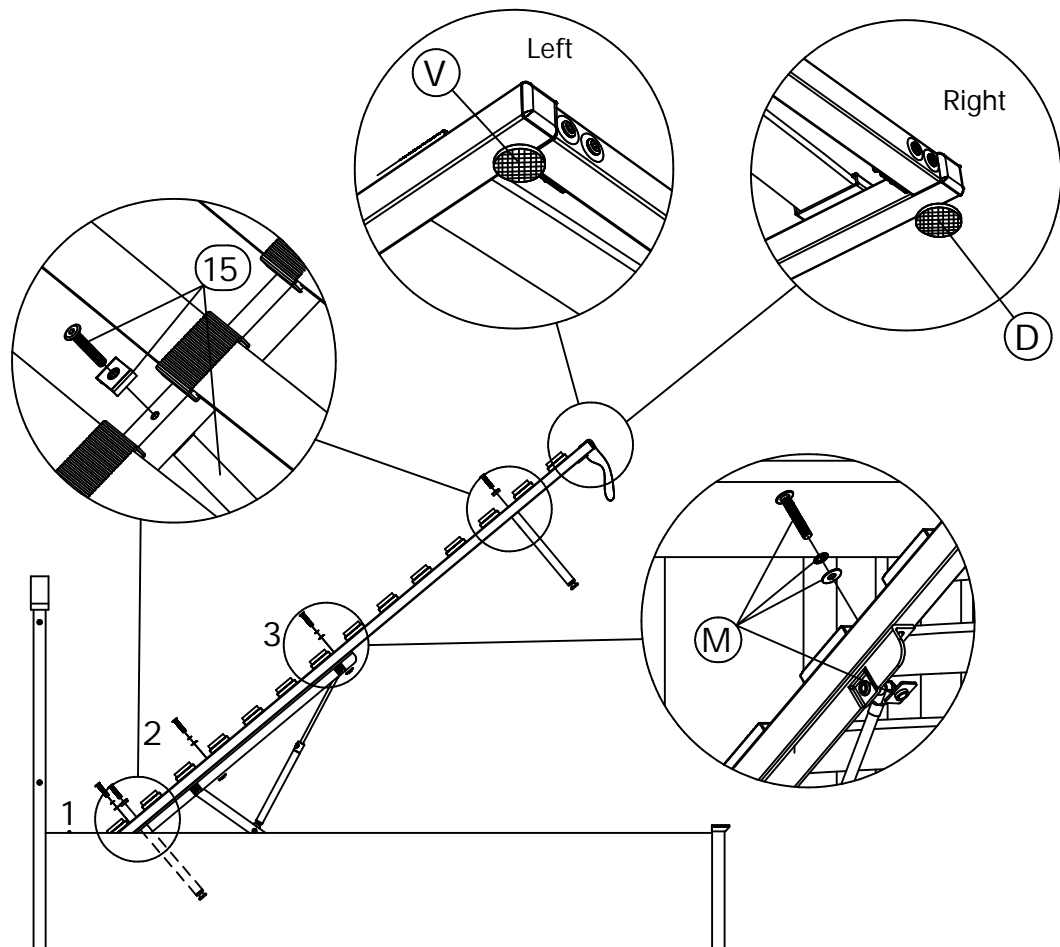
Step 6: Join together all the bed base parts (10),(11),(12),(13) and (14) using hardware parts **L,T,U** and also attach hardware part **K** by slot to the part (13). And then attach hardware parts **J** using hardware part **L** as shown. **Important note: Please assemble follow arrow direction.** DO NOT use any power tools as this may damage the frame and will invalidate any claim.



Step 7: Insert the slats (16) to hardware parts **N** and **O** then press into the base making sure they are secure. **DO NOT** use any power tools as this may damage the frame and will invalidate any claim.

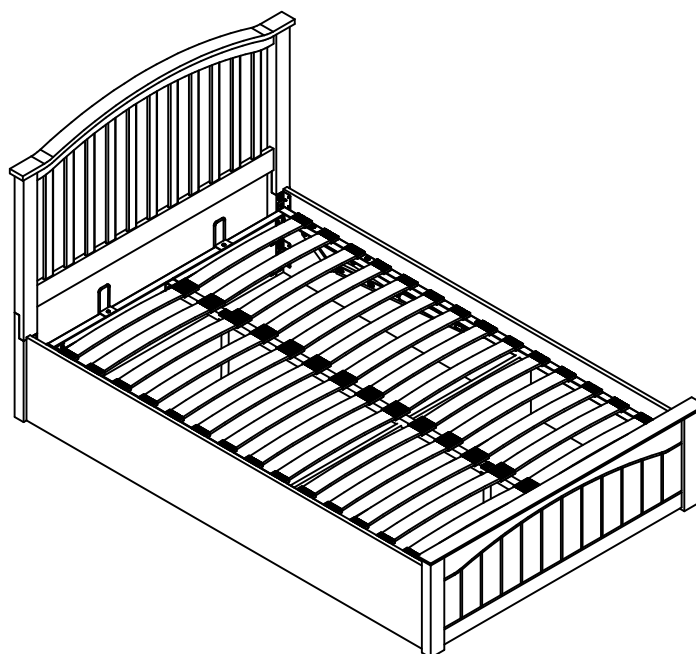
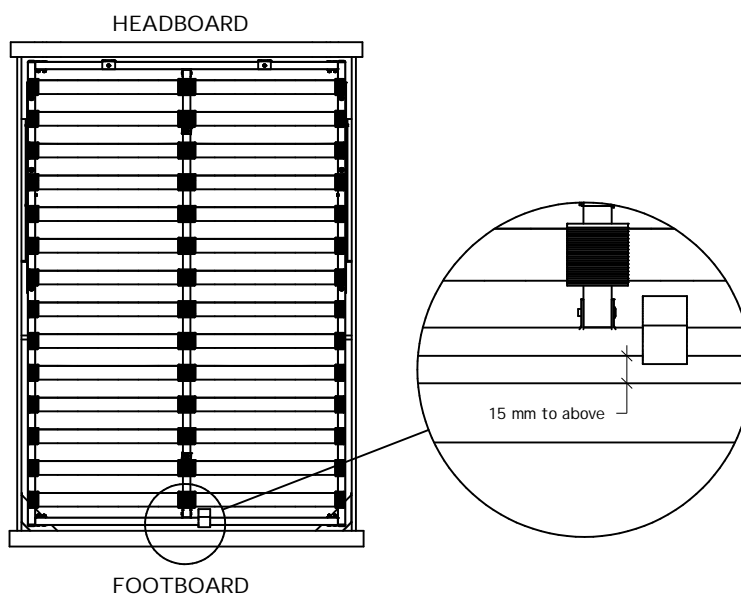


Step 10: Assemble the bed base on the right & left hydraulic frame and fix bolt **M** starting from '1' to '3' as shown and fix the support leg (15) to the bed base as shown and then stick it the self adhesive **D** as shown. Important note : **Do not tighten the bolts yet!**, and this assemble must be done by two persons.



Do Not Use Power Tools

Step 10: Adjust the bed base making sure that the distance to the footboard is approximately 15 mm to above. Tighten all bolts and screws now.
DO NOT use any power tools as this may damage the frame and will invalidate any claim.

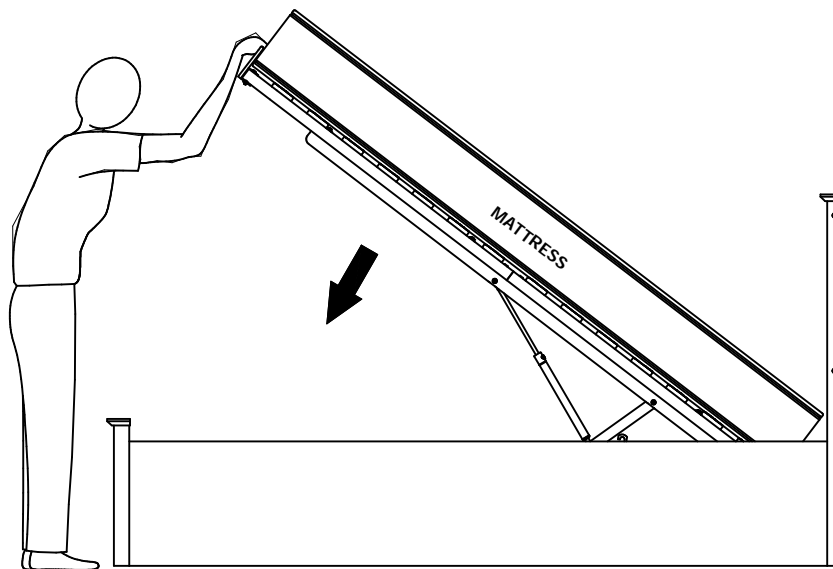


IMPORTANT NOTE

WHEN THE BED IS BUILT AND THE MATTRESS FRAME IS AT 45 DEGREE ANGLE PLEASE PLACE THE MATTRESS ON THE BED.

PLEASE NOTE THAT THE WEIGHT OF THE MATTRESS IS REQUIRED TO HELP CLOSE THE BED.

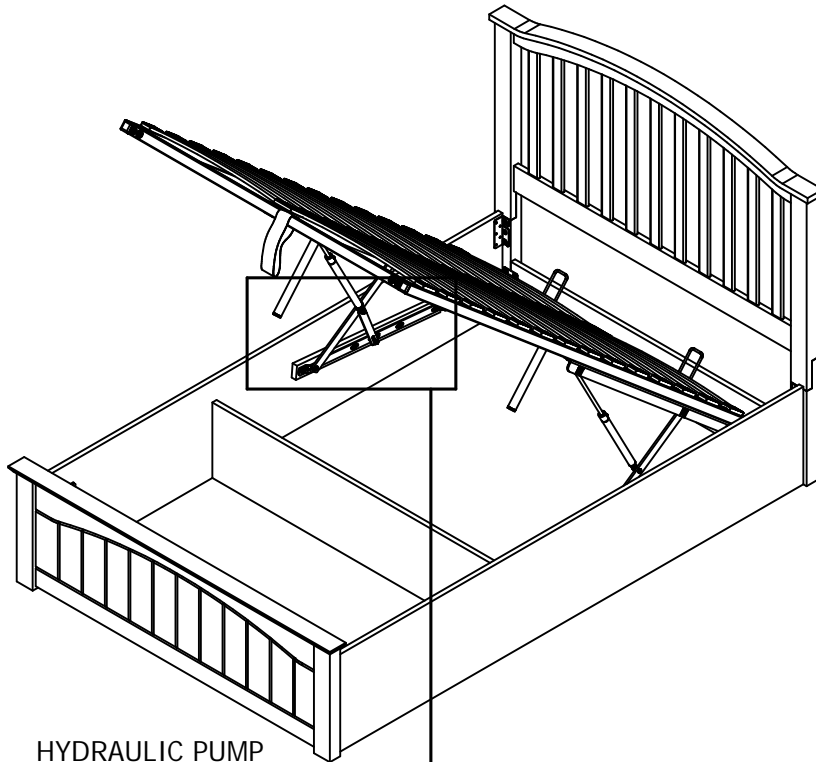
TO LOWER THE SLEEPING PLATFORM STAND AT THE FOOT END OF THE BED AND PUSH SHARPLY DOWNWARDS USING BOTH HANDS.



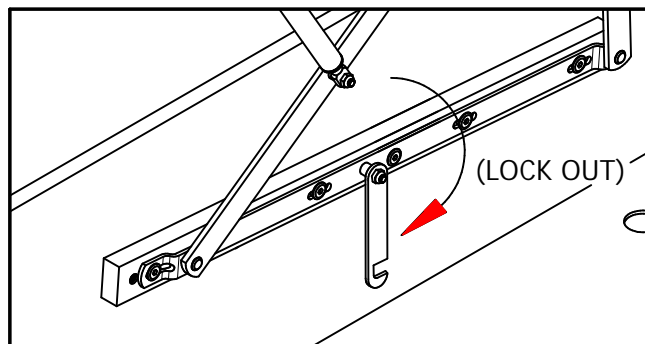
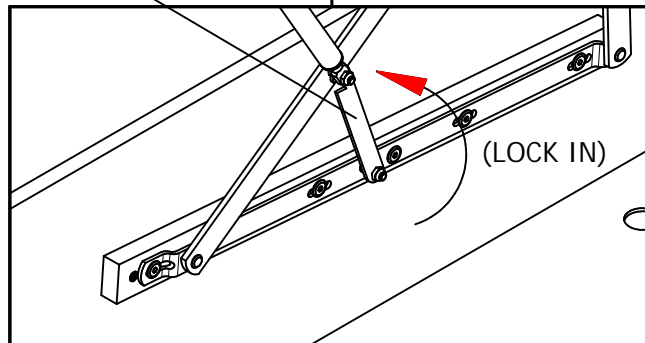
WARNING: Take care when assembling the base. Assemble the ottoman as closed to its final position. The Ottoman has a powerful, mechanism and after assembly should only be opened when the mattress is in place.

CAUTION :

PLEASE USE HYDRAULIC PUMP STOPPER FOR SAFETY PURPOSE.



HYDRAULIC PUMP
STOPPER



Important for Ottoman and other gas lift beds

Please follow these final steps to ensure the best experience with your new bed

- Please ensure the pistons are fitted to the bed frame.
- Please place the mattress on top of the bed frame.
- Standing at the foot of the frame (looking at the headboard) open the base and the press quite forcefully down on the mattress - please do not attempt to do this without the mattress being in place.
- Please do not pull on the strap handles.
- Please note as the pistons are full of gas - you will need to press heavily to release the compressed gas.
- Once done the pistons should start operating as normal.



Please dispose of all packaging safely.

General Care & Maintenance

Wipe clean with a slightly damp cloth.
Avoid the use of all household cleaners and abrasives.

Periodically check all screw & fixings to ensure they are secure.

When moving your product, carefully lift into place. Never drag or push the product across the floor as this will cause damage to the joints. If the product is used on hard flooring, such as wood or laminated floor, you must place some protection under the legs to stop the product from moving. If this is not adhered to, it could result in failure to the product that will invalidate the warranty.

For more information on cleaning and product care visit:
<https://www.happybeds.co.uk/help-and-advice>

Notes

In the unlikely event that you have problems putting this product together or have damaged or missing parts, please contact us by visiting:
<https://www.happybeds.co.uk/customer-service>