

## Assembly Instructions

### Important before assembly:

Read these instructions carefully before assembling or using the product.

Please check the contents of the boxes before attempting to assemble this product. The instructions will have a checklist of parts and fittings.

Assemble the product as close to its intended final location/room as possible.

### Health & Safety:

This product or some parts of this product will be heavy. Please use an assistant when lifting.

Please keep small parts out of reach of children.

Always use on a level, even surface.

DO NOT jump on the product or any of its parts.

DO NOT use this product if any parts are missing, damaged or worn.

DO NOT use this product unless all fixings are secured.

Further instructions are on the following pages.

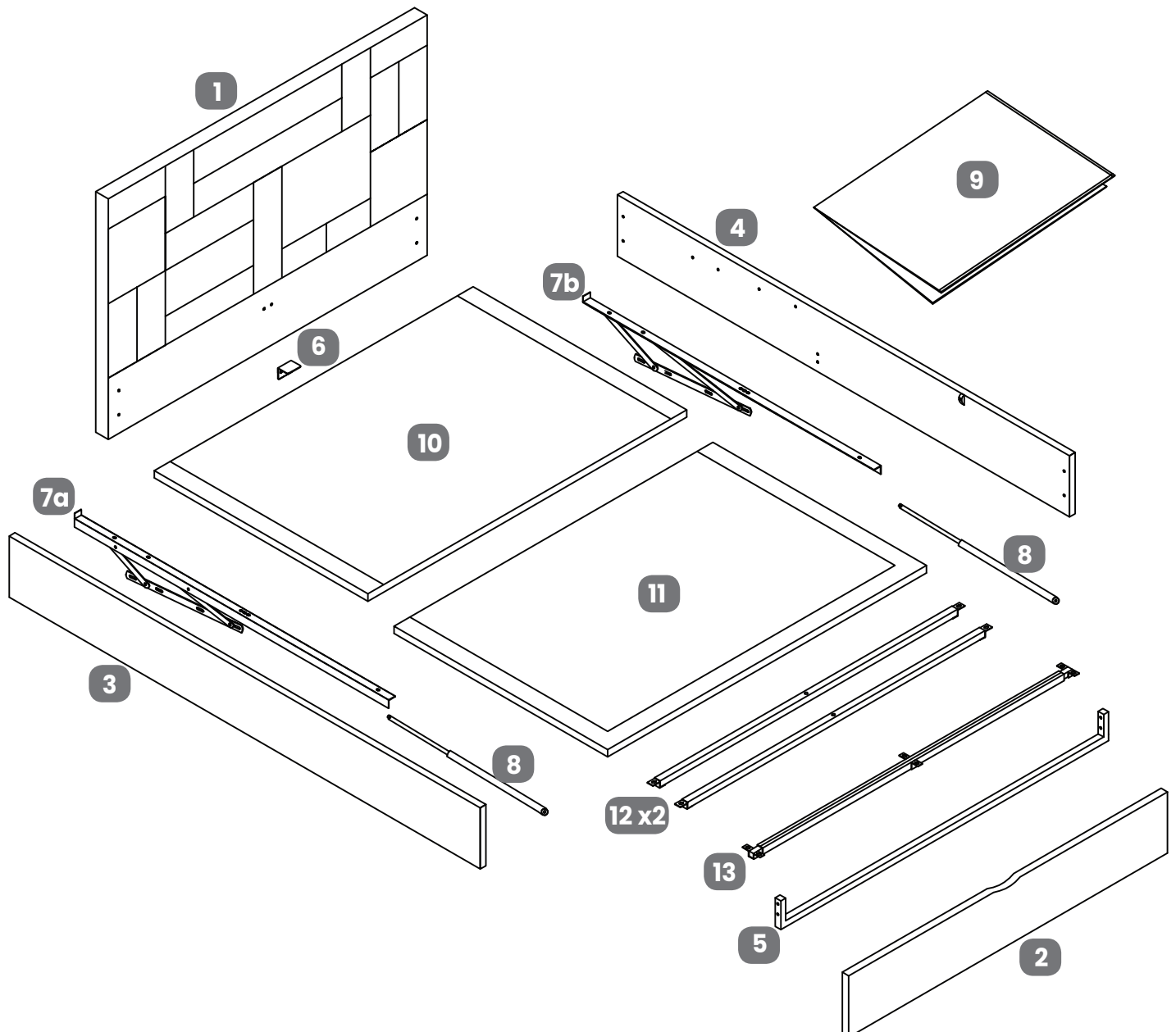
Please keep these instructions for future reference.

# Happy beds™

www.happybeds.co.uk

| No | Part List            | Qty  | Box |
|----|----------------------|------|-----|
| 1  | Headboard            | 1 pc | 1   |
| 2  | Footboard            | 1 pc | 2   |
| 3  | Side rail - LH       | 1 pc | 2   |
| 4  | Side rail - RH       | 1 pc | 2   |
| 5  | "U" shaped cross bar | 1 pc | 2   |
| 6  | 'L' shape bracket    | 1 pc | 2   |
| 7a | Gas-lift mechanism   | 1 pc | 2   |

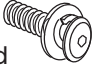


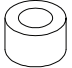





| No | Part List                                  | Qty   | Box |
|----|--|-------|-----|
| 7b | Gas-lift mechanism                         | 1 pc  | 2   |
| 8  | Gas-lift pistons                           | 2 pcs | 2   |
| 9  | Fabric base cover                          | 1 pc  | 1   |
| 10 | Mattress base board - Headend              | 1 pc  | 1   |
| 11 | Mattress base board - Footend              | 1 pc  | 1   |
| 12 | Mattress base board support rails - end    | 2 pcs | 1   |
| 13 | Mattress base board support rails - centre | 1 pc  | 1   |

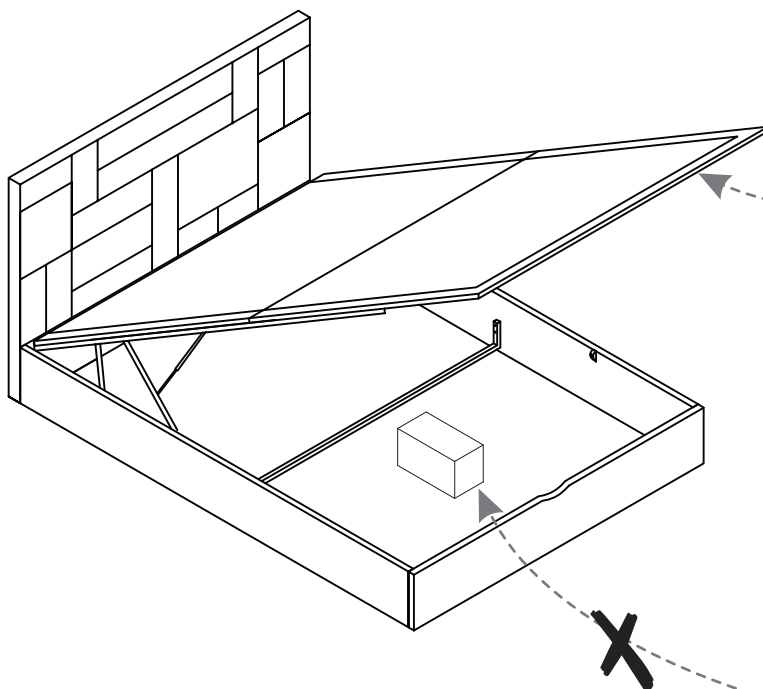


# Happy beds™

www.happybeds.co.uk


## HARDWARE NEEDED FOR BED ASSEMBLY (PACK A)

| No | Hardware List   | Qty    | Box | No | Hardware List   | Qty   | Box |
|----|---|--------|-----|----|---|-------|-----|
| A  | Bolt (M8x20mm) for fitting angle bracket (B) to headboard and footboard  | 26 pcs | 2   | F  | Flat washer for M8 bolts                     | 6 pcs | 2   |
| B  | Angle bracket    | 4 pcs  | 2   | G  | Plastic spacer for lift mechanism (7a & 7b)  | 8 pcs | 2   |
| C  | Bolt (M8x35mm) for fitting angle bracket (B) to headboard and footboard  | 12 pcs | 2   | H  | Flanged M8 lock-nuts                         | 4 pcs | 2   |
| D  | Bolt (M8x35mm) for fitting 'U' shape cross bar to side rails (3&4)       | 6 pcs  | 2   | J  | Spanner for flanged M8 lock-nuts             | 1 pc  | 2   |
| E  | Allen key for M8 bolts   | 1 pc   | 2   |    |   |       |     |



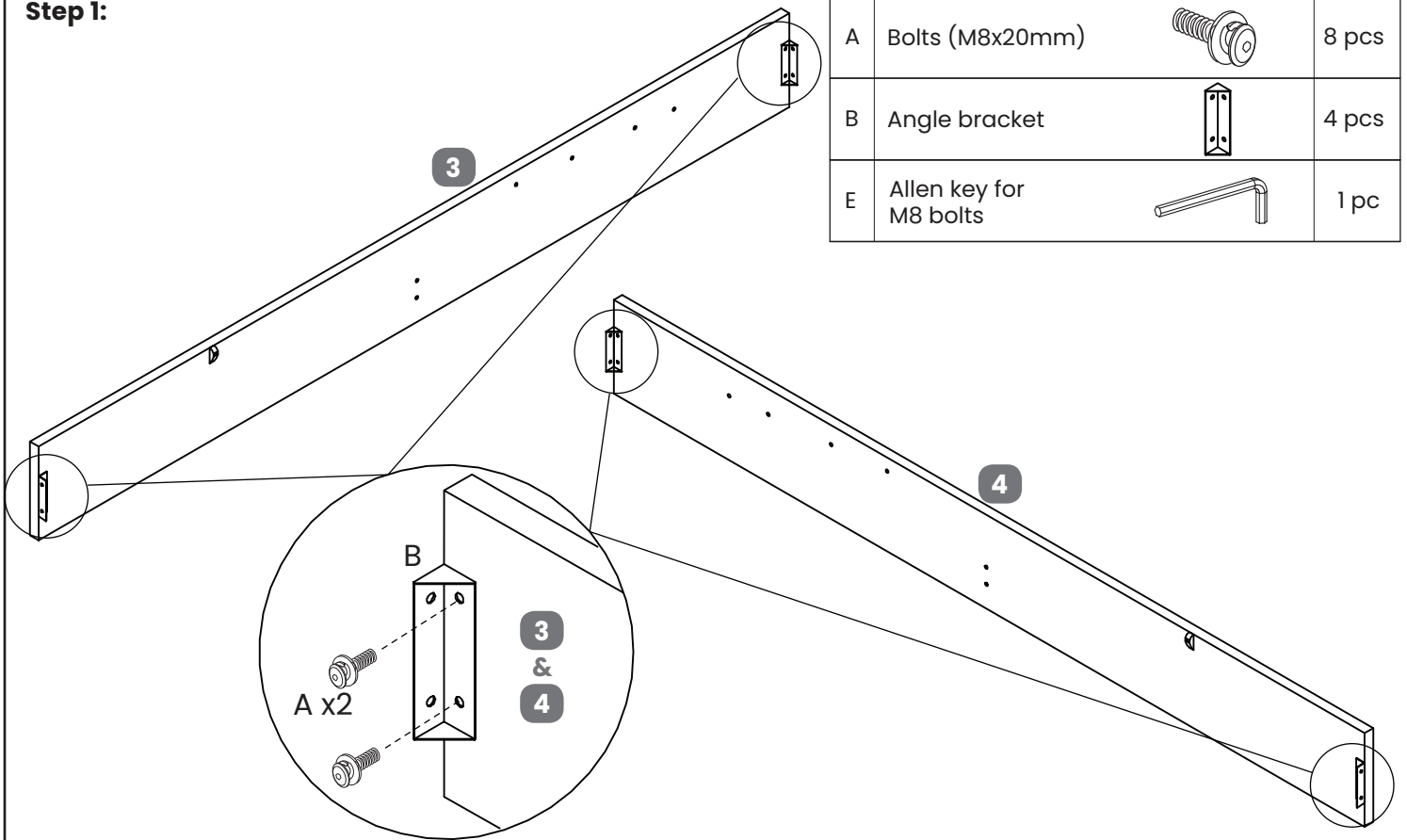
**⚠ WARNING**  
**TO AVOID ACCIDENTS**  
 To access the storage area, the ottoman frame **MUST BE FULLY OPENED** and then **FULLY CLOSED** afterwards.

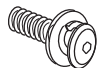


**CAUTION**  
 To be operated by **ADULTS ONLY**.  
 Keep children and pets away from the storage area.  
 Avoid trapping your fingers by using the handle to lift & lower the base.  
 Only lift when the mattress is in place.  
 Ensure the ottoman support bar is secure when the base is open.  
 Regularly air internal storage area and contents.



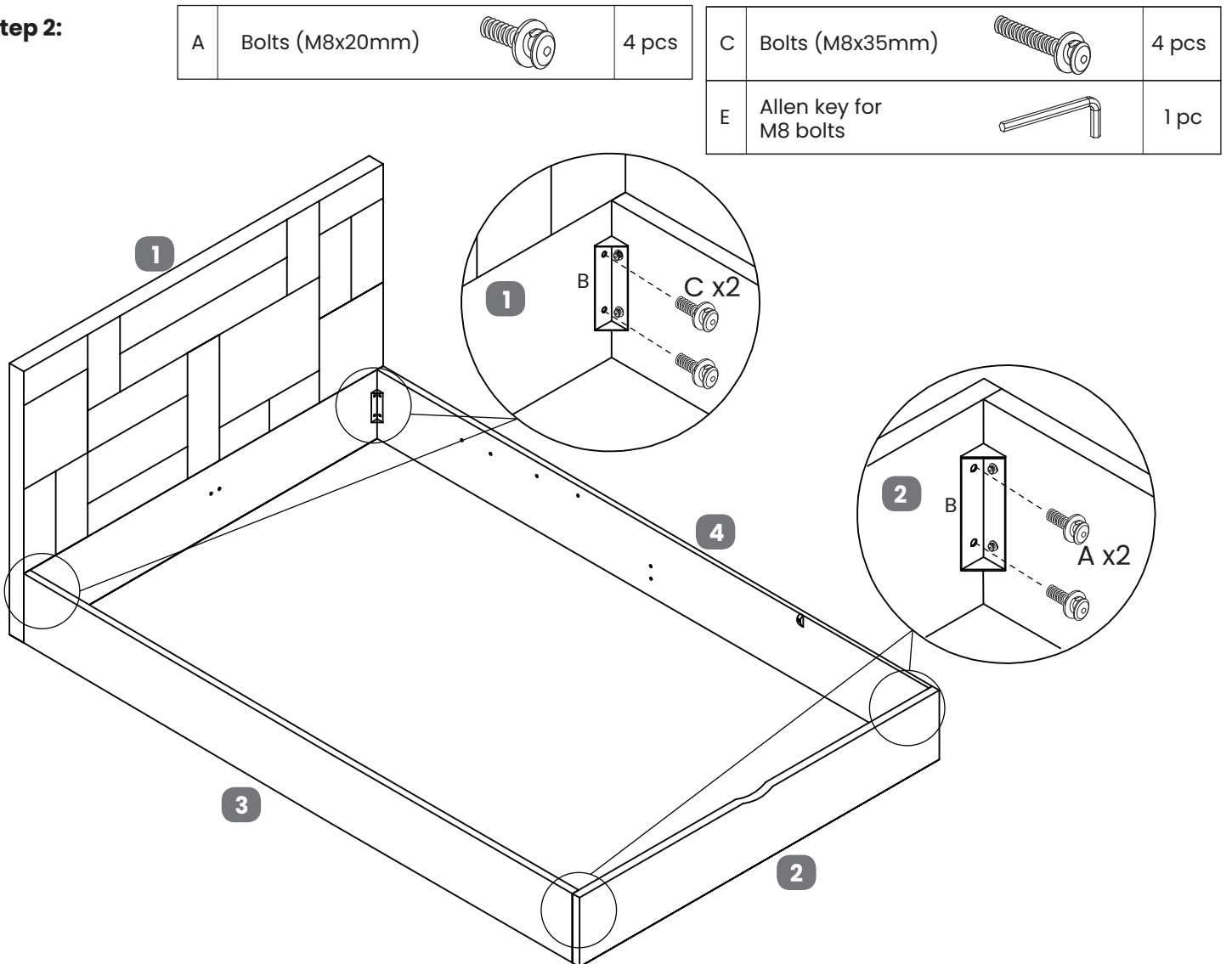
Note: Be very careful what you store under the bed -the top of an item, like a suitcase or a box must not touch the slats or they may be damaged. Maximum storage height is 310mm .




**Step 1:**



|   |                        |   |       |
|---|------------------------|---|-------|
| A | Bolts (M8x20mm)        |   | 8 pcs |
| B | Angle bracket          |  | 4 pcs |
| E | Allen key for M8 bolts |  | 1 pc  |


**Step 2:**



|   |                 |   |       |   |                        |   |       |
|---|-----------------|---|-------|---|------------------------|---|-------|
| A | Bolts (M8x20mm) |  | 4 pcs | C | Bolts (M8x35mm)        |  | 4 pcs |
|   |                 |   |       | E | Allen key for M8 bolts |  | 1 pc  |

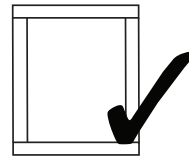
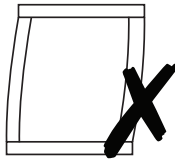
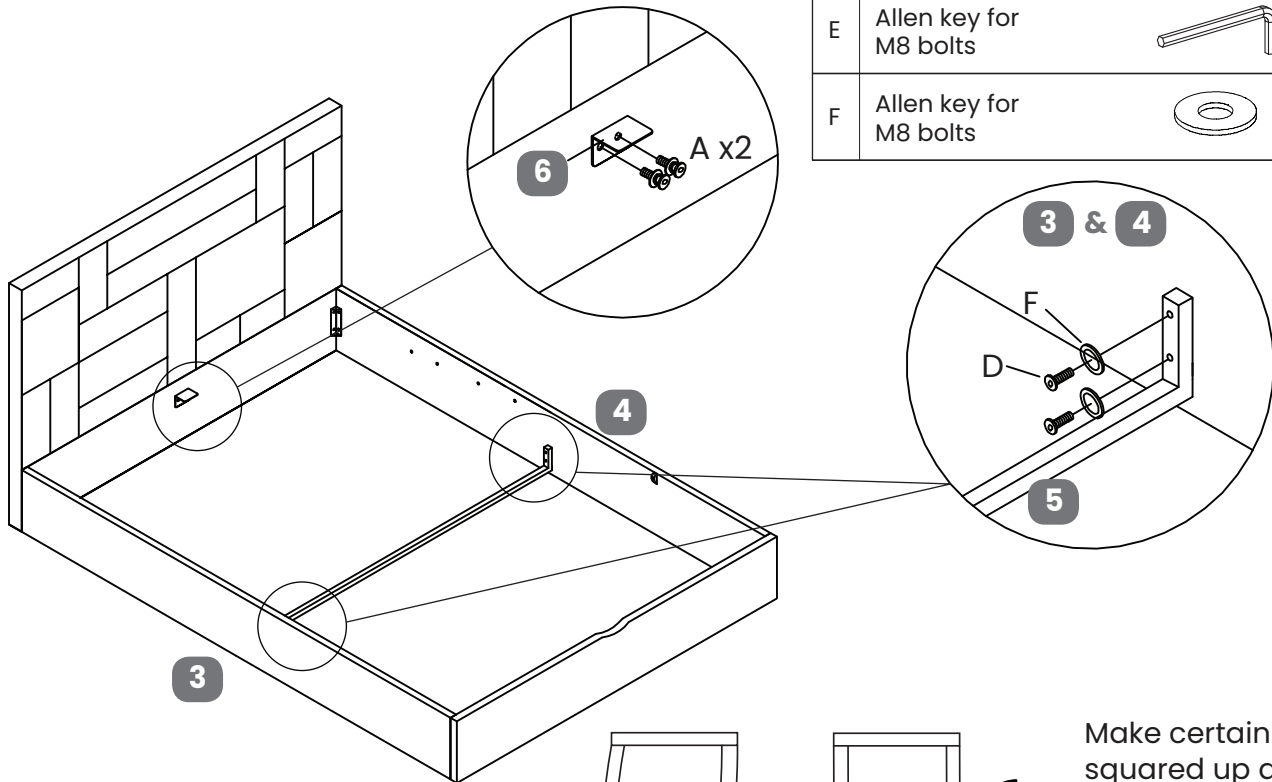
**Step 3:**

|   |                 |  |       |
|---|-----------------|--|-------|
| A | Bolts (M8x20mm) |  | 2 pcs |
|---|-----------------|--|-------|

|   |                 |  |       |
|---|-----------------|--|-------|
| D | Bolts (M8x35mm) |  | 4 pcs |
|---|-----------------|--|-------|



|   |                        |   |      |
|---|------------------------|---|------|
| E | Allen key for M8 bolts |  | 1 pc |
|---|------------------------|---|------|


|   |                        |   |       |
|---|------------------------|---|-------|
| F | Allen key for M8 bolts |  | 4 pcs |
|---|------------------------|---|-------|





Make certain the bed is squared up as shown in the diagram then tighten all bed assembly bolts 100%.

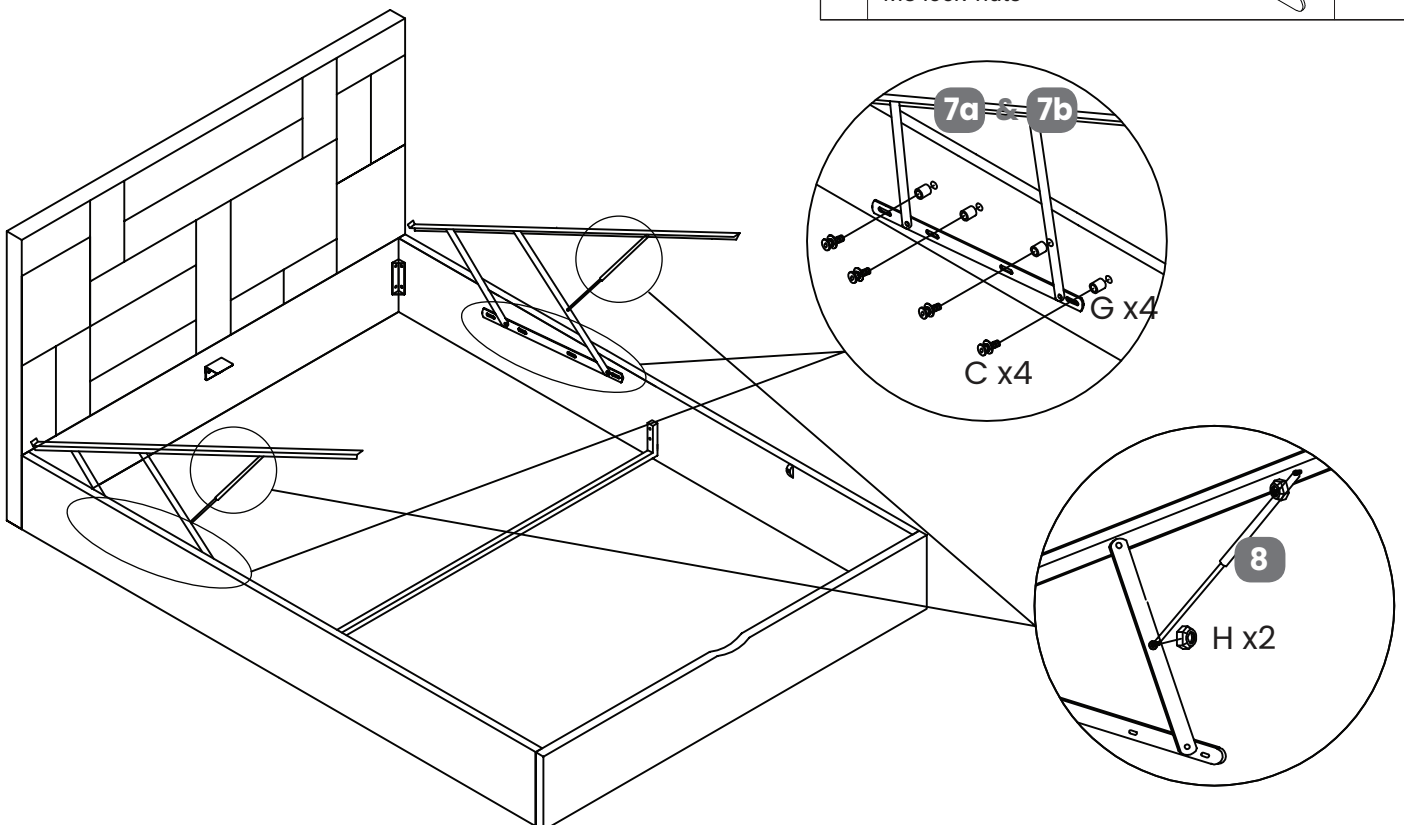
**Step 4:**

|   |                        |   |       |
|---|------------------------|---|-------|
| C | Bolts (M8x35mm)        |  | 8 pcs |
| E | Allen key for M6 bolts |  | 1 pc  |

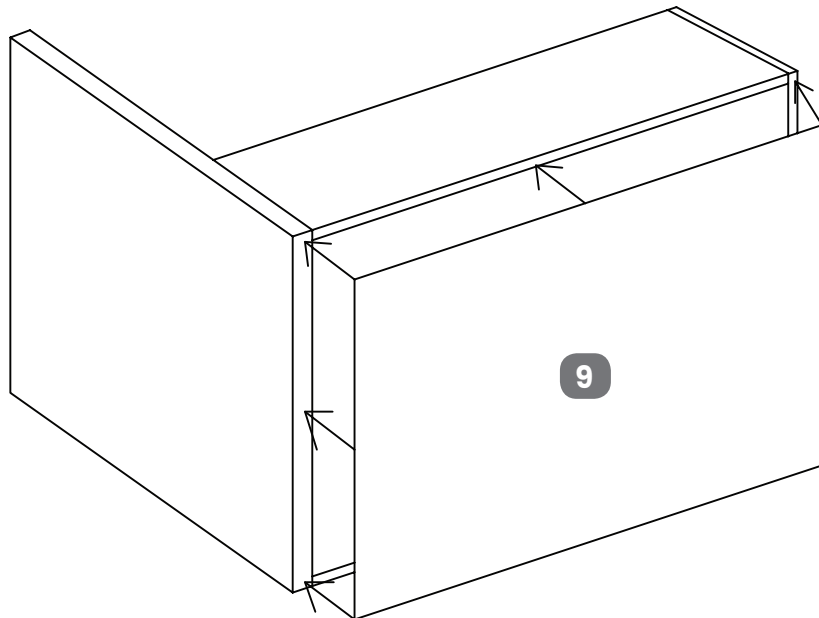
|   |   |   |       |
|---|---|---|-------|
| G | Plastic spacer for lift mechanism (7a & 7b) |  | 8 pcs |
|---|---|---|-------|

|   |                      |   |       |
|---|----------------------|---|-------|
| H | Flanged M8 lock-nuts |  | 4 pcs |
|---|----------------------|---|-------|

|   |                                  |   |      |
|---|----------------------------------|---|------|
| J | Spanner for flanged M8 lock-nuts |  | 1 pc |
|---|----------------------------------|---|------|

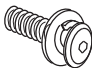
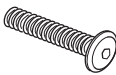




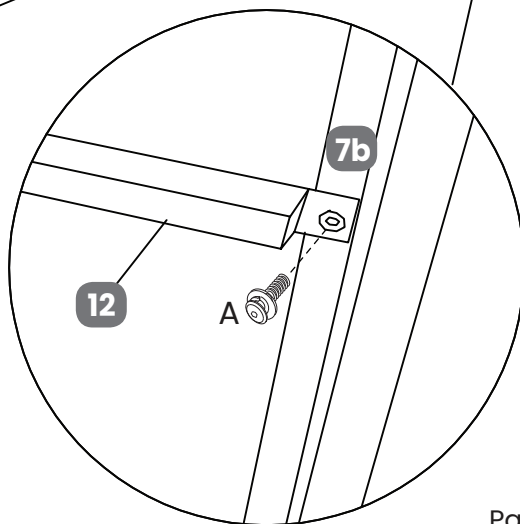
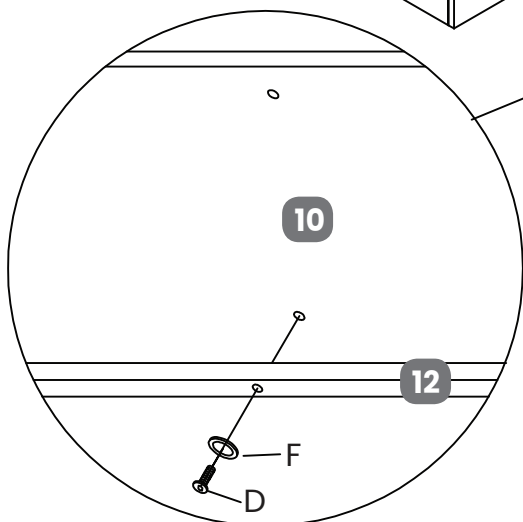
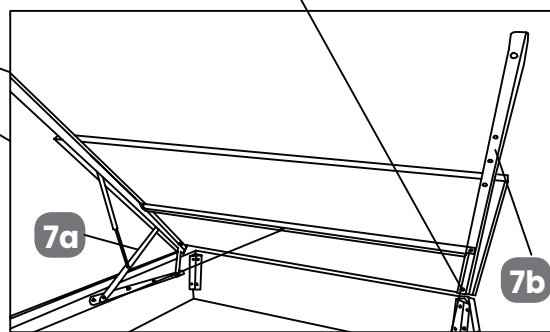
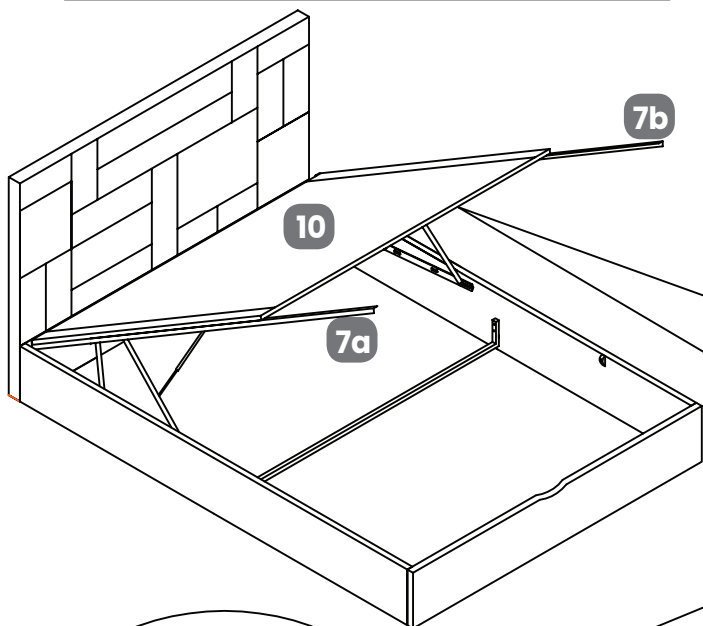
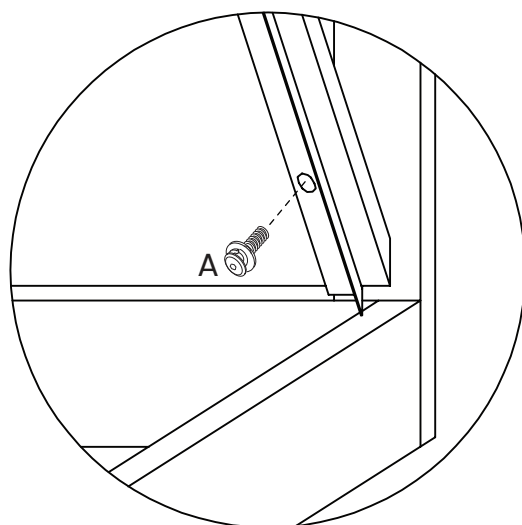
**Step 5:**



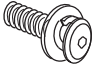

Turn bed on its side and paste non woven fabric to the bottom of the bed.

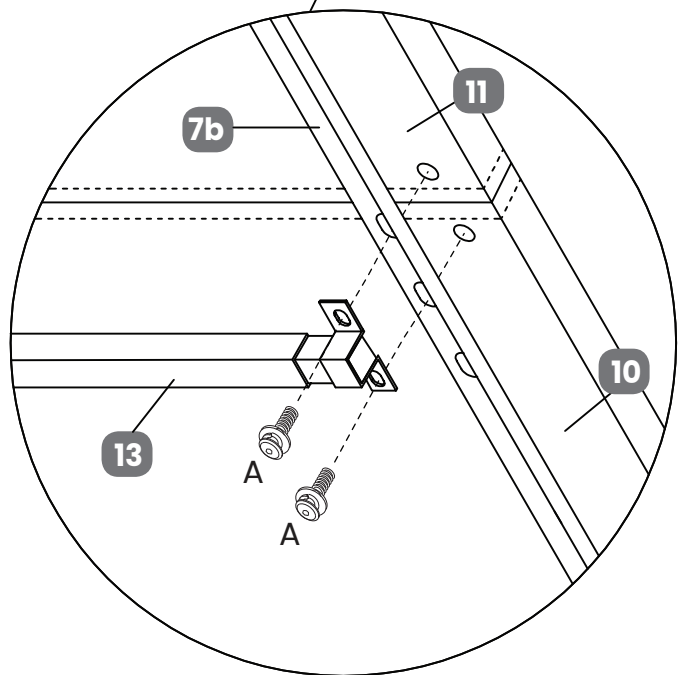
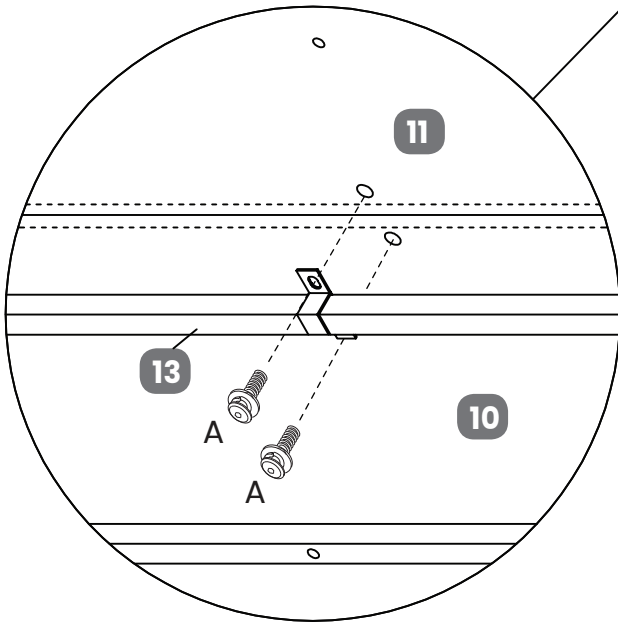
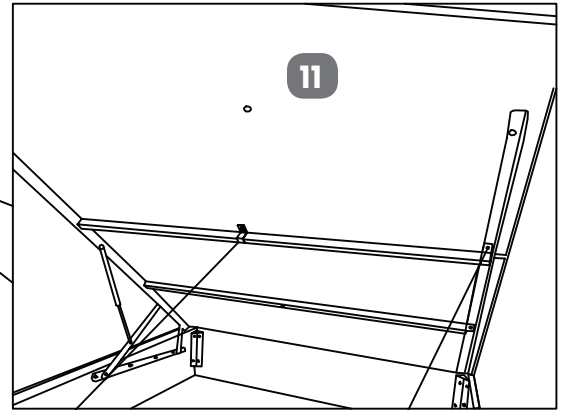
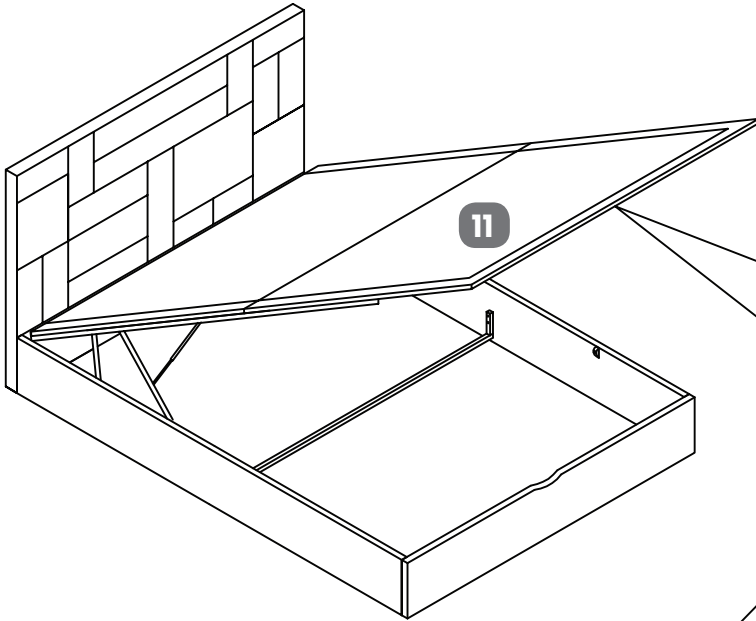
**Step 6:**

|   |                        |  |       |
|---|------------------------|--|-------|
| A | Bolts (M8x20mm)        |   | 4 pcs |
| D | Bolts (M8x35mm)        |   | 1 pc  |
| E | Allen key for M8 bolts |   | 1 pc  |
| F | Allen key for M8 bolts |  | 1 pc  |

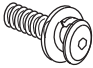





**Step 7:**

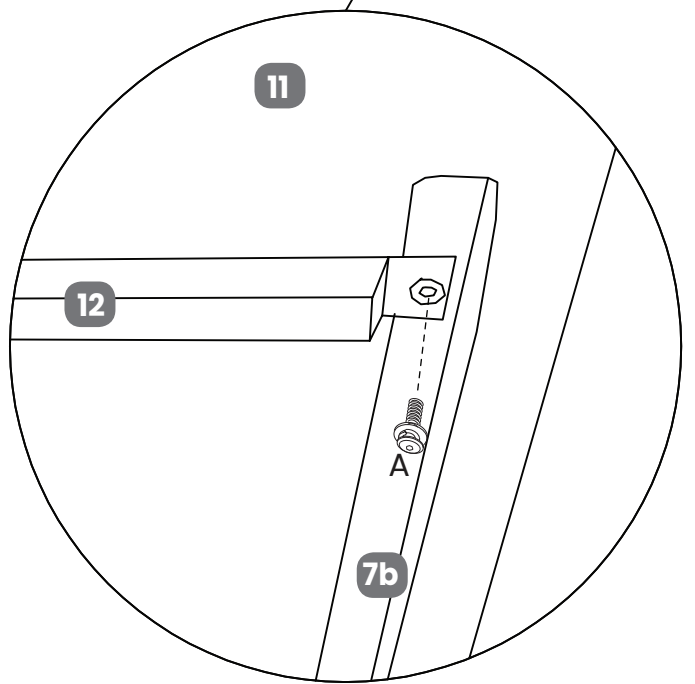
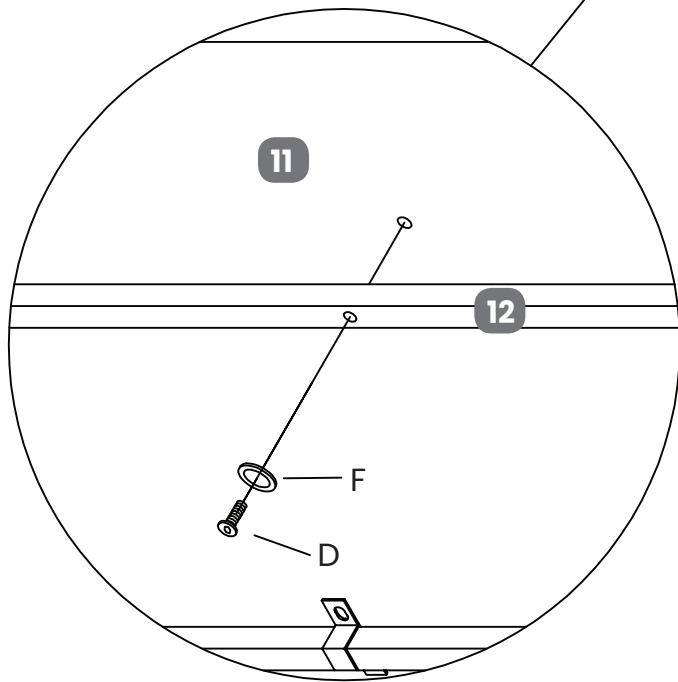
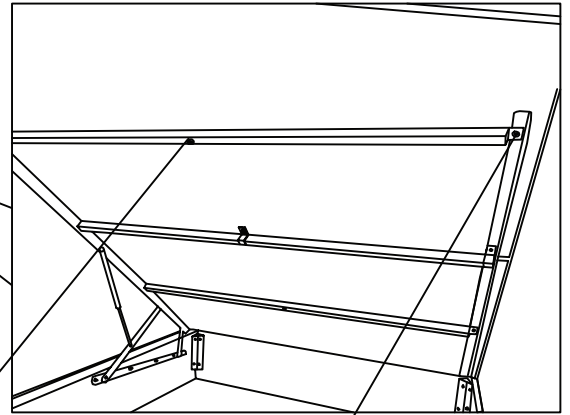
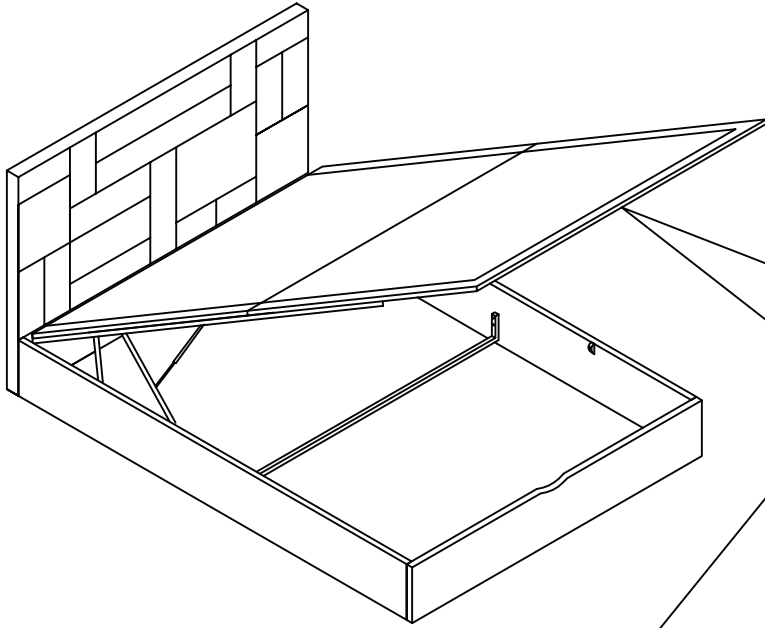
|   |                        |   |       |
|---|------------------------|---|-------|
| A | Bolts (M8x20mm)        |   | 6 pcs |
| E | Allen key for M8 bolts |  | 1 pc  |



**Step 8:**

|   |                 |   |       |
|---|-----------------|---|-------|
| A | Bolts (M8x20mm) |   | 2 pcs |
| D | Bolts (M8x35mm) |  | 1 pc  |

|   |                        |   |      |
|---|------------------------|---|------|
| E | Allen key for M8 bolts |   | 1 pc |
| F | Allen key for M8 bolts |  | 1 pc |





## Technical Specifications

### Overall Dimensions (LWH mm)

Double: 2010 x 1380 x 1140

King: 2110 x 1530 x 1140

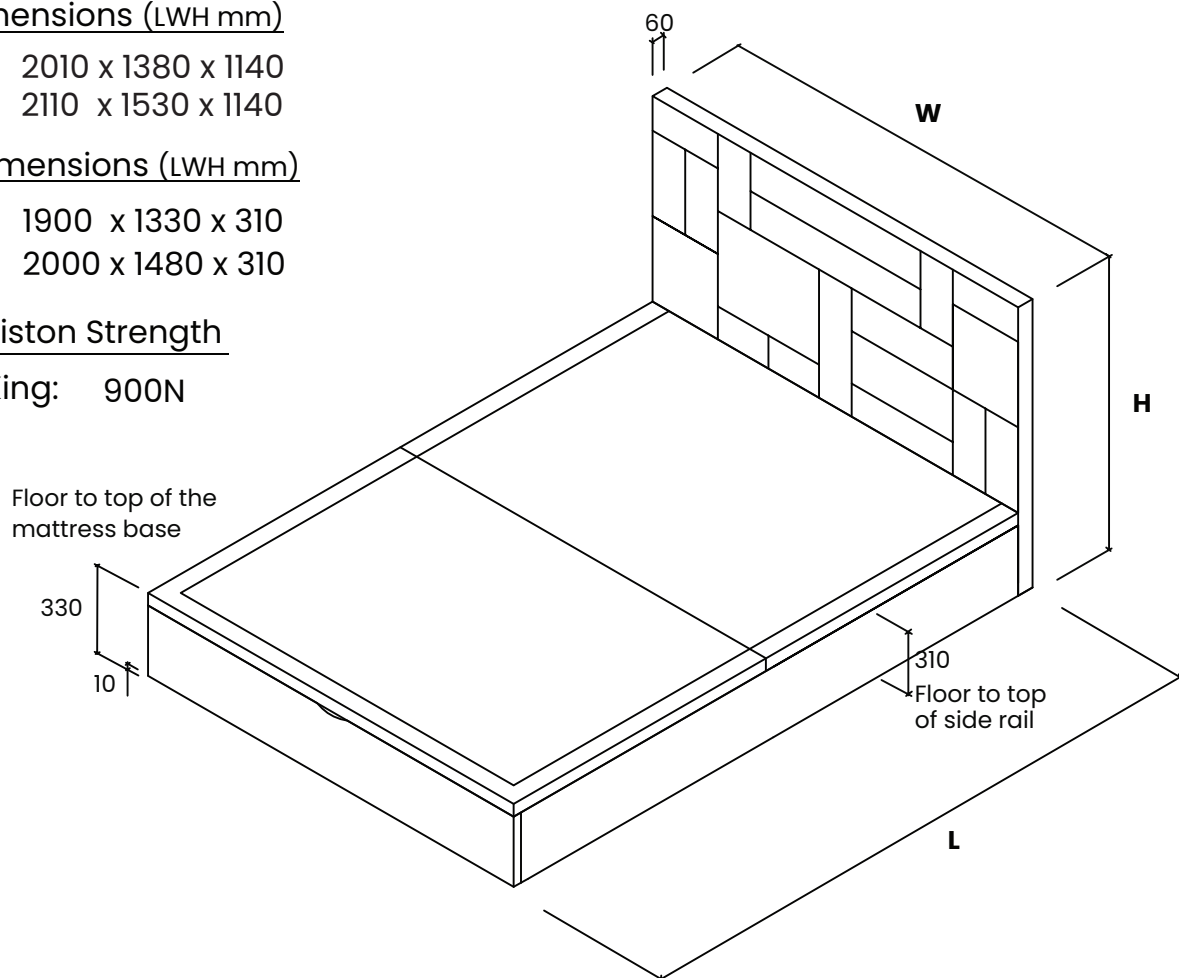
### Internal Dimensions (LWH mm)

Double: 1900 x 1330 x 310

King: 2000 x 1480 x 310

### Ottoman Piston Strength

Double & King: 900N



Please dispose of all packaging safely.

## General Care & Maintenance

Wipe clean with a slightly damp cloth.

Avoid the use of all household cleaners and abrasives.

Periodically check all screw & fixings to ensure they are secure.

When moving your product, carefully lift into place. Never drag or push the product across the floor as this will cause damage to the joints. If the product is used on hard flooring, such as wood or laminated floor, you must place some protection under the legs to stop the product from moving. If this is not adhered to, it could result in failure to the product that will invalidate the warranty.

For more information on cleaning and product care visit:

<https://www.happybeds.co.uk/help-and-advice>

## Notes

In the unlikely event that you have problems putting this product together or have damaged or missing parts, please contact us by visiting:

<https://www.happybeds.co.uk/customer-service>