



Assembly Instructions

Important before assembly:

Read these instructions carefully before assembling or using the product.

Please check the contents of the boxes before attempting to assemble this product. The instructions will have a checklist of parts and fittings.

Assemble the product as close to its intended final location/room as possible.

Health & Safety:

This product or some parts of this product will be heavy. Please use an assistant when lifting.

Please keep small parts out of reach of children.

Always use on a level, even surface.

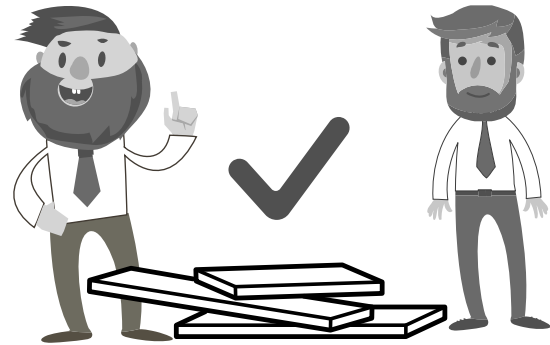
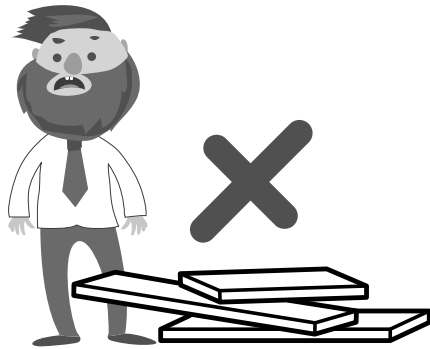
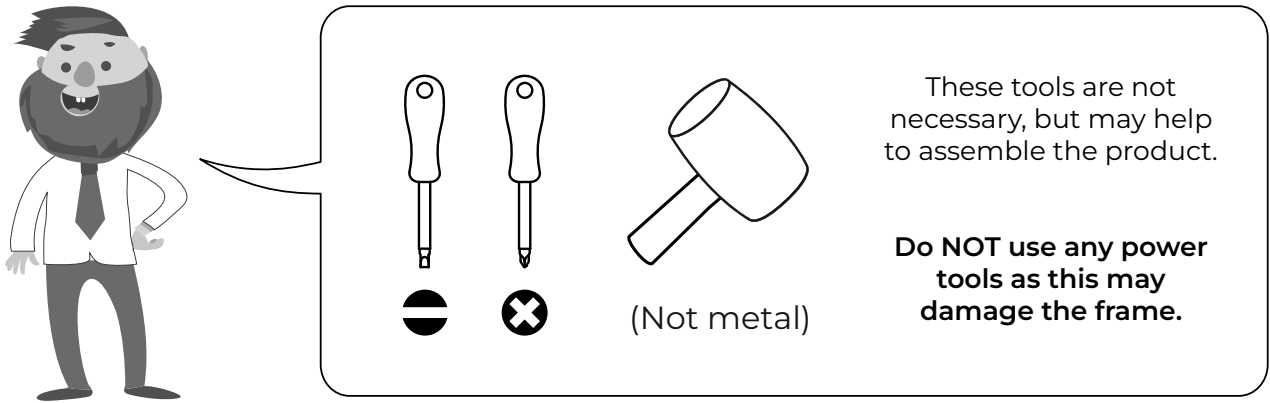
DO NOT jump on the product or any of its parts.

DO NOT use this product if any parts are missing, damaged or worn.

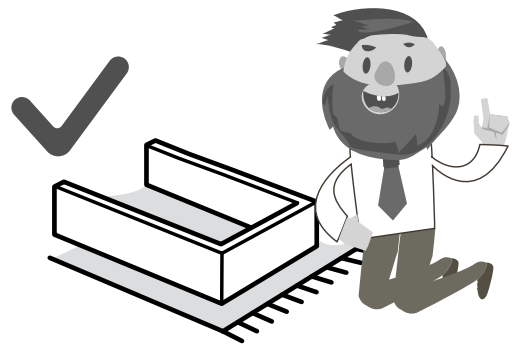
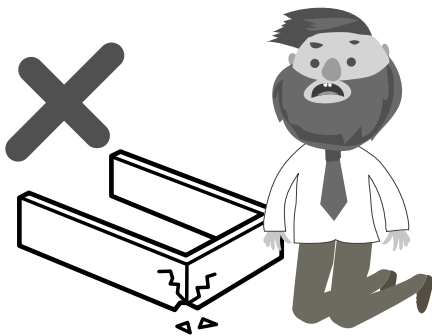
DO NOT use this product unless all fixings are secured.

Further instructions are on the following pages.

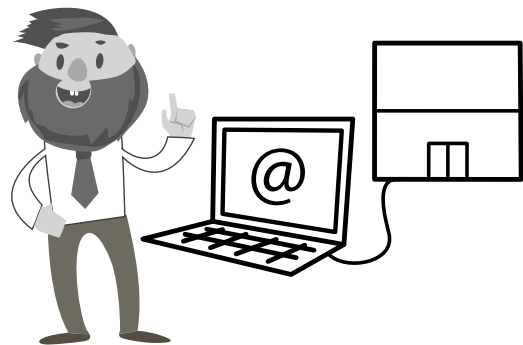
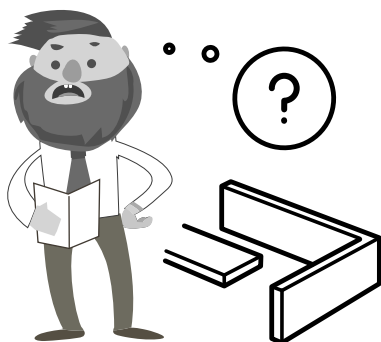
Please keep these instructions for future reference.



This product or some parts of this product will be heavy. Please use an assistant when lifting.



Never drag or push the pieces across a hard or stone floor as this will cause damage to the joints. Use a carpet or a rug for extra care.



If you have problems assembling or have damaged or missing pieces, please contact our customer services (details at the back of these instructions)

HALFDEN- Double

Assembly Instructions

Before you begin...

1. Please check in your desired room of use.
2. Unpack all boxes and lay out each component on the floor.
3. Check your product for any damage that may be immediately obvious. If damage is identified, please contact your retailer.
4. Please read through these instructions thoroughly to ensure you have constructed your bed correctly.

For Care and Maintenance of your bed...

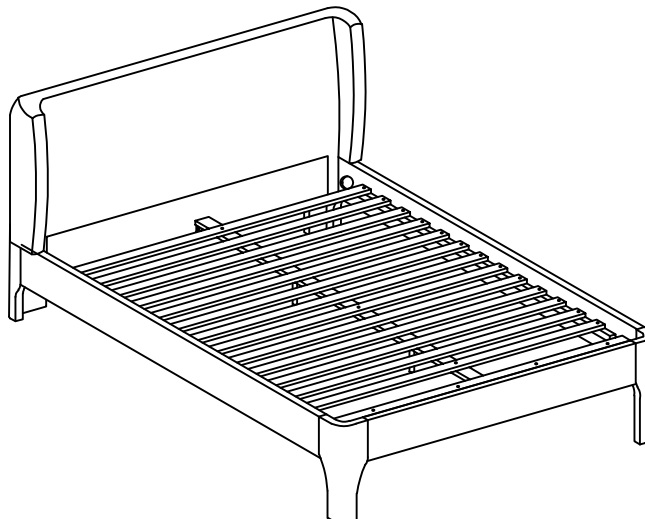
- Always assemble in your desired room of use.
- Always check all screw and fixings periodically to ensure they are still secure.
- Do not push or pull this bed as it will cause damage.
- Always lift this bed with a second person to prevent damage or injury.
- Keep any sharp objects away from this bed frame.

For your Health and Safety...

- Please don't not jump on this bed.
- Do not use this bed if you find missing, damaged or worn parts. Please contact your retailer.
- Please do not use this bed until you have fully secure all fixings.
- Please keep all small components away from children.
- Please ensure this bed is on an even, level surface.

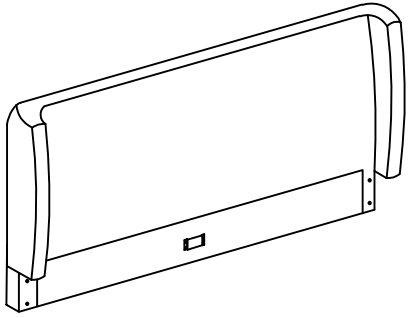
Also...

If your desired room of choice has a non-carpeted surface ensure please that you use some form of protection and **do not** place directly on the wooden floor. This will prevent the bed from moving and therefore collapsing which will void your guarantee...

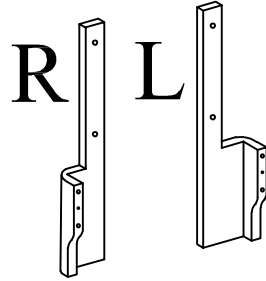




Box 1



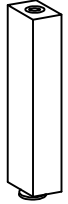
1. Headboard (x1)



2. Headboard Legs (L/R) (x2)



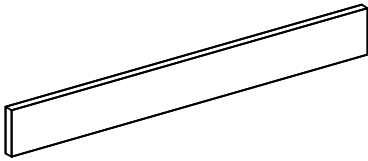
3. Footboard Legs (x2)



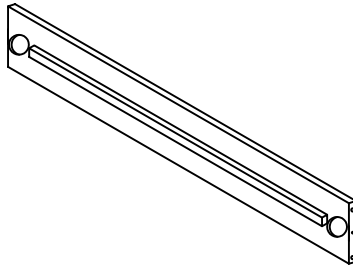
4. Support Legs (x2)



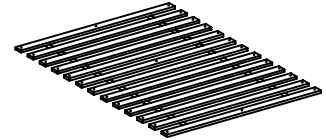
Box 2



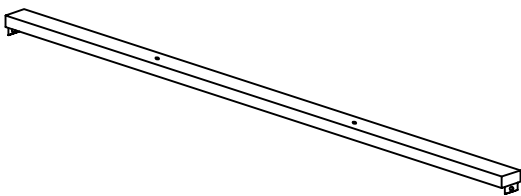
5. Footboard (x1)



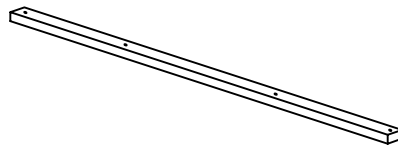
6. Siderail (x2)



7. Slats (x1)



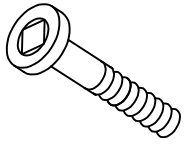
8. Centre Rail (x1)



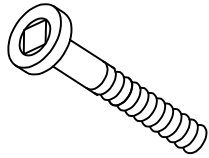
9. Top Slat (x1)

Hardware

All fittings are stored within Box 1



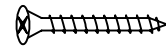
A.M6 x 40 mm JCBC (x6)



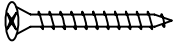
B.M6 x 50 mm JCBC (x6)



C.Allen Key M4 x 65 mm (x1)



D.M4 x 25 mm CSK (x2)



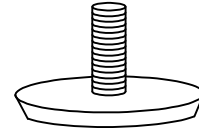
E.M4 x 32 mm CSK (x33)



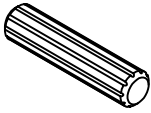
F.Spring Washers (x10)



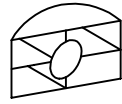
G.Flat Washers (x10)



H.Adjuster (x2)



I.Plastic Dowel 25mm (x12)

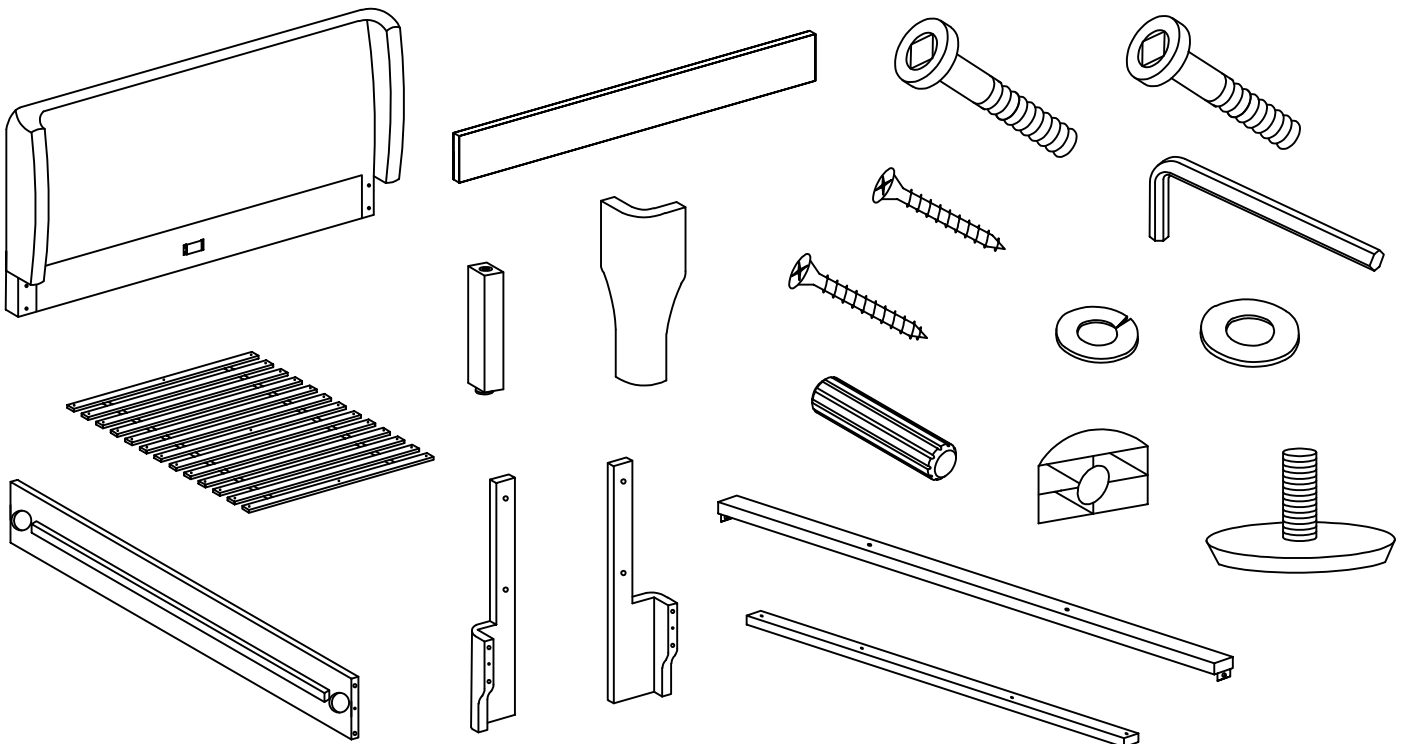


J.Cap Nut (x6)

***You will need a screwdriver (not provided)**

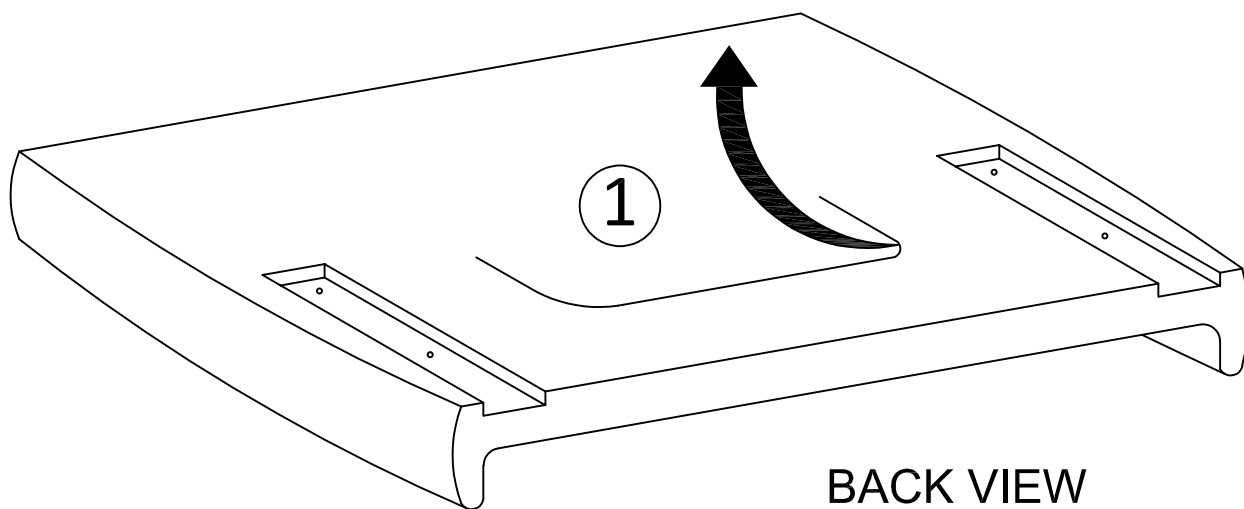
Step 1

Unpack all components from the boxes and check you are not missing anything. Please check these against the list on page 3 & 4. Should you identify any missing components, please contact the retailer you purchased the bed from.



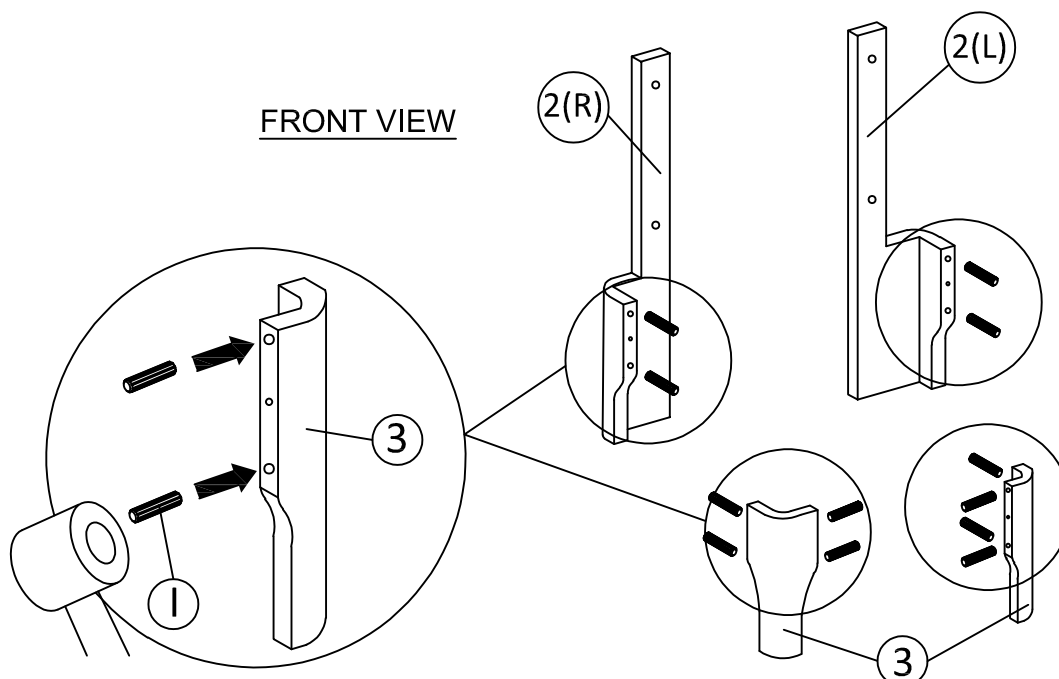
Step 2

Unzip the black non-woven fabric on the back of headboard and take small carton out.



Step 3

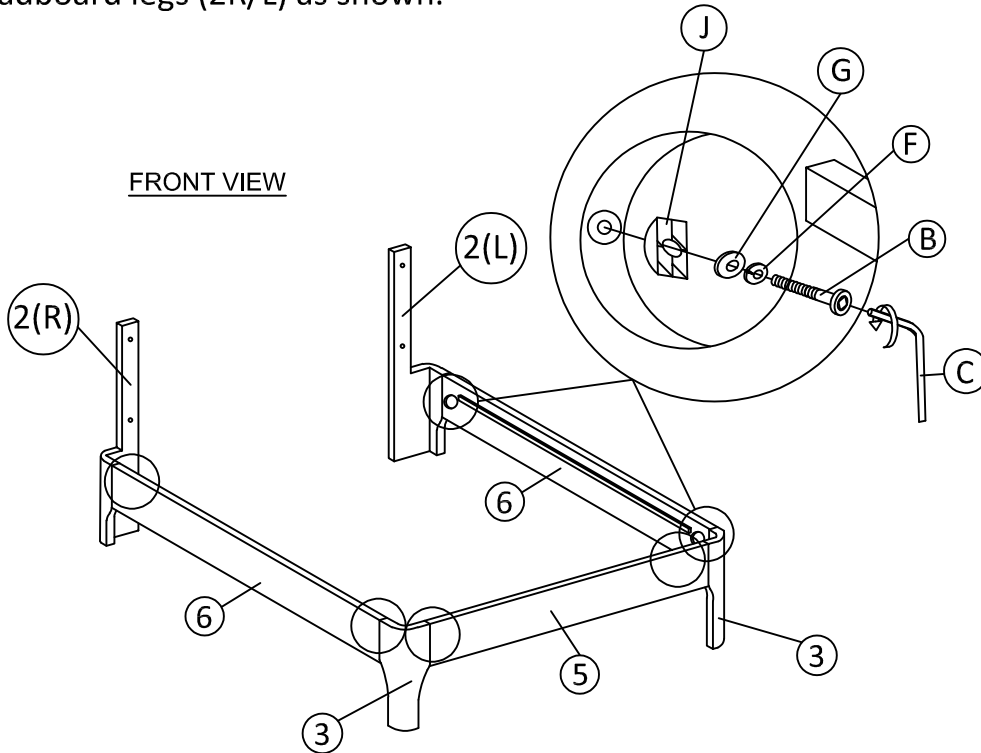
Install the 12 x wood dowel (I) to 2 x headboard leg (2R/L) and 2 x footboard leg (3).



DO NOT use any power tools as this may damage the frame and will invalidate any claim.

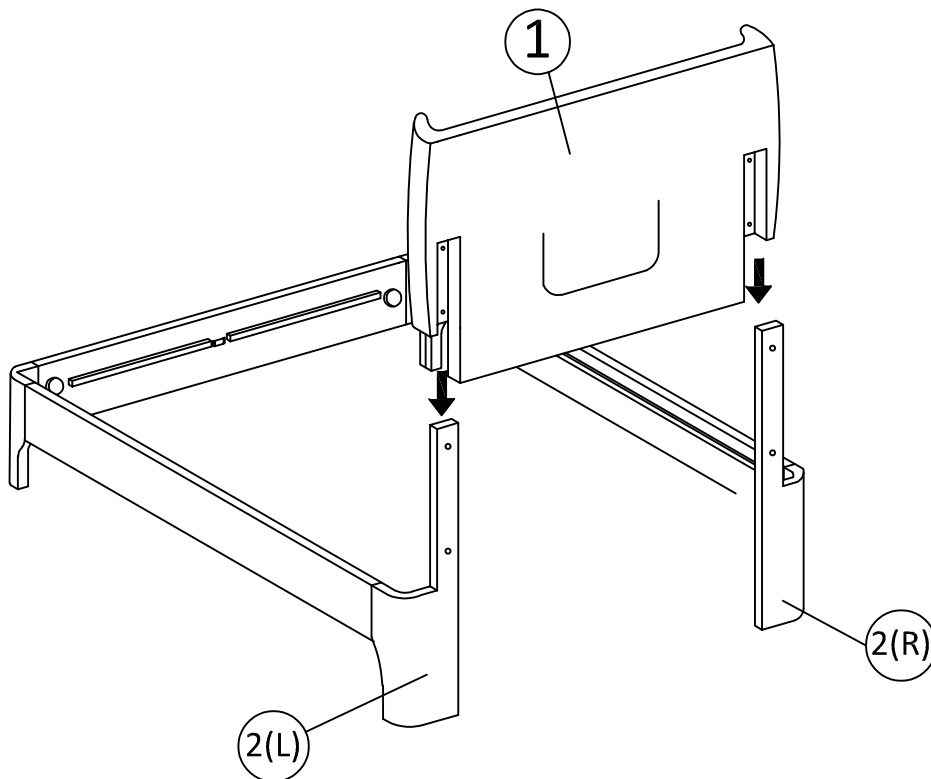
Step 4

Attach 2 x side rail (C) to 1 x footboard (5) with 2 x footboard legs (3) and 2 x headboard legs (2R/L) as shown.



Step 5

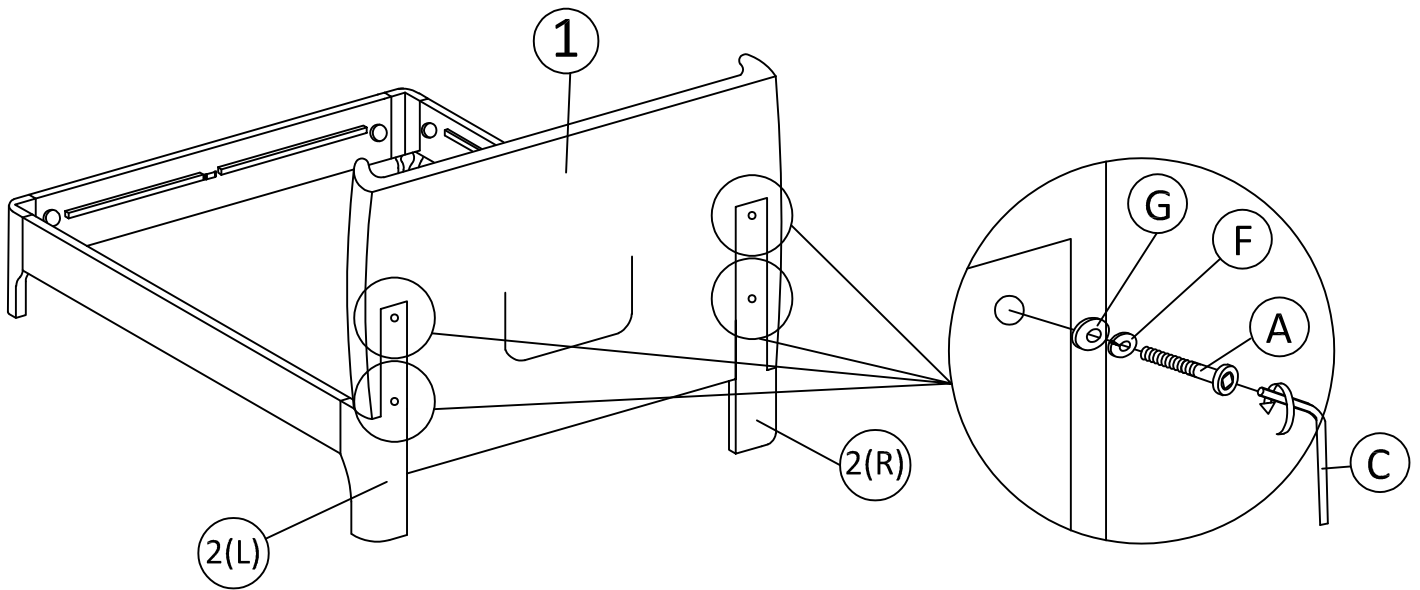
Slot 1 x headboard (1) to the 2 x headboard Legs (2R/L) as shown.



DO NOT use any power tools as this may damage the frame and will invalidate any claim.

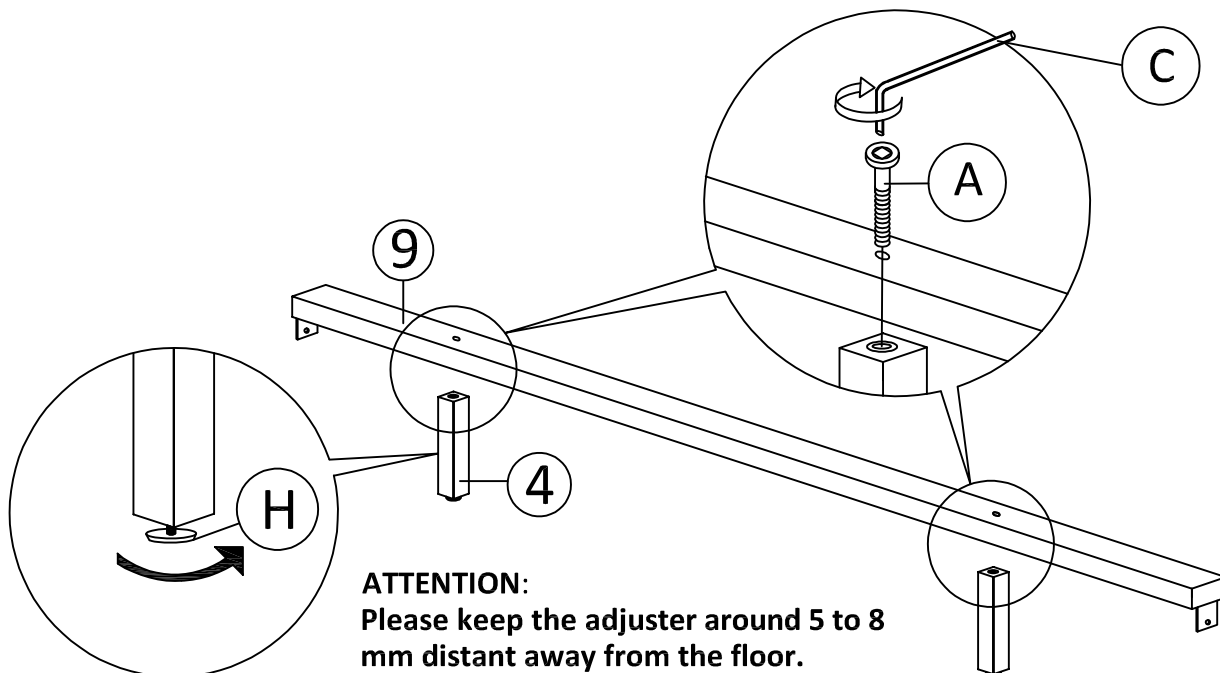
Step 6

Attach 1 x headboard (1) to the 2 x headboard Legs (2R/L) as shown.



Step 7

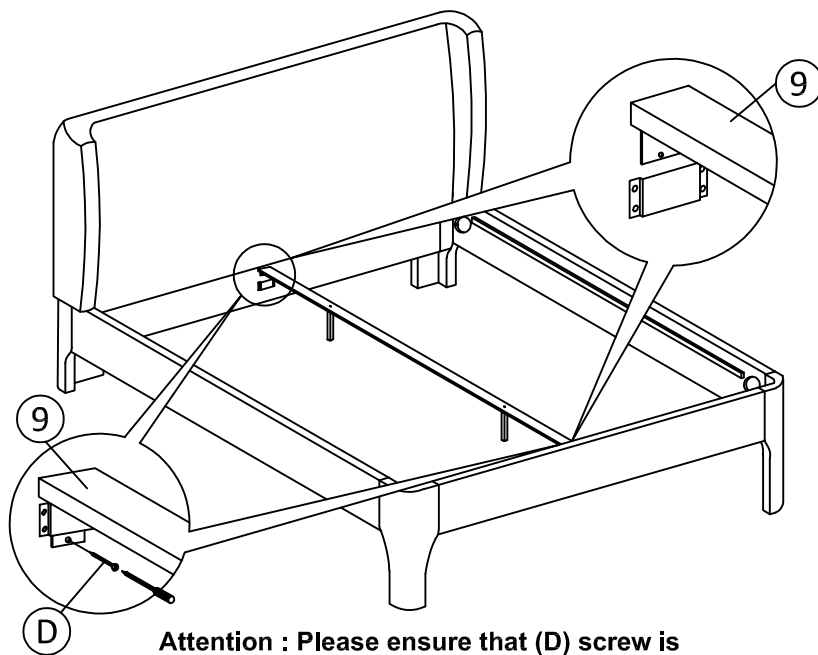
Attach the 2x Support Leg (4) to 1x Centre Rail (9) using 2x M6x40mm JCBC (A) and 1x M4 Allen Key (C). Then screw 2x Adjuster (H) to Support Leg (4).



DO NOT use any power tools as this may damage the frame and will invalidate any claim.

Step 8

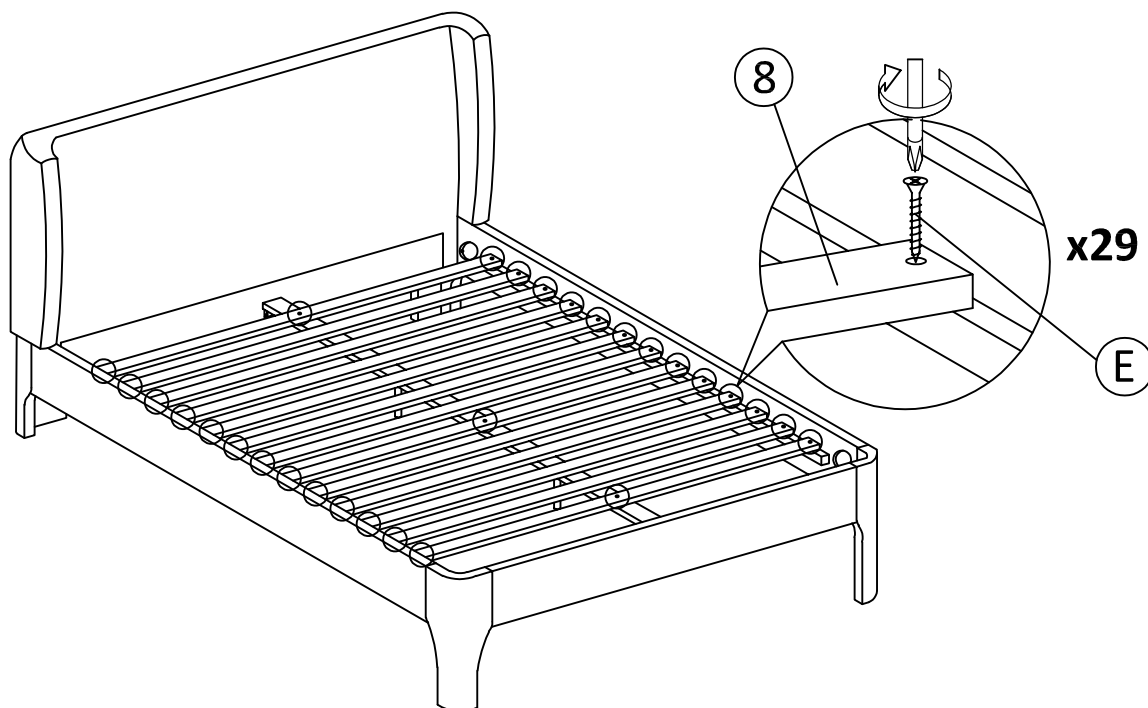
Firstly, Slot the 1x centre rail (6) into the bracket on 1x Headboard (1) and 1x Footboard (2). Then secure using 2x M4x25mm CSK (D) and Screwdriver (Not Provided).



Attention : Please ensure that (D) screw is attached as per the A.I shown to avoid possibility of base collapsing.

Step 9

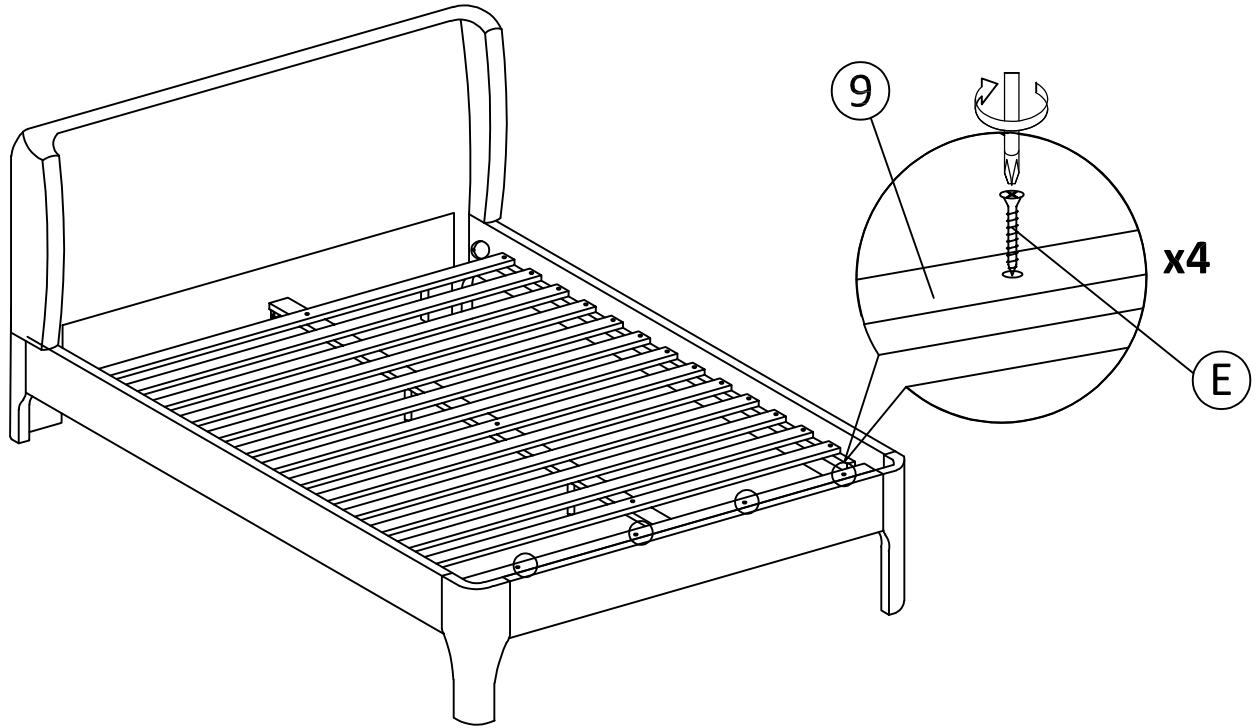
Affix the 1 x slat (7) to the support wood on 2 x side rail (6) and the 1 x center rail (8).



DO NOT use any power tools as this may damage the frame and will invalidate any claim.

Step 10

Affix the 1 x top slat (9) to the support wood on 1 x footboard (2).



Please dispose of all packaging safely.

General Care & Maintenance

Wipe clean with a slightly damp cloth.
Avoid the use of all household cleaners and abrasives.

Periodically check all screw & fixings to ensure they are secure.

When moving your product, carefully lift into place. Never drag or push the product across the floor as this will cause damage to the joints. If the product is used on hard flooring, such as wood or laminated floor, you must place some protection under the legs to stop the product from moving. If this is not adhered to, it could result in failure to the product that will invalidate the warranty.

For more information on cleaning and product care visit:
<https://www.happybeds.co.uk/help-and-advice>

Notes

In the unlikely event that you have problems putting this product together or have damaged or missing parts, please contact us by visiting:
<https://www.happybeds.co.uk/customer-service>