



Assembly Instructions

Important before assembly:

Read these instructions carefully before assembling or using the product.

Please check the contents of the boxes before attempting to assemble this product. The instructions will have a checklist of parts and fittings.

Assemble the product as close to its intended final location/room as possible.

Health & Safety:

This product or some parts of this product will be heavy. Please use an assistant when lifting.

Please keep small parts out of reach of children.

Always use on a level, even surface.

DO NOT jump on the product or any of its parts.

DO NOT use this product if any parts are missing, damaged or worn.

DO NOT use this product unless all fixings are secured.

Further instructions are on the following pages.

Please keep these instructions for future reference.



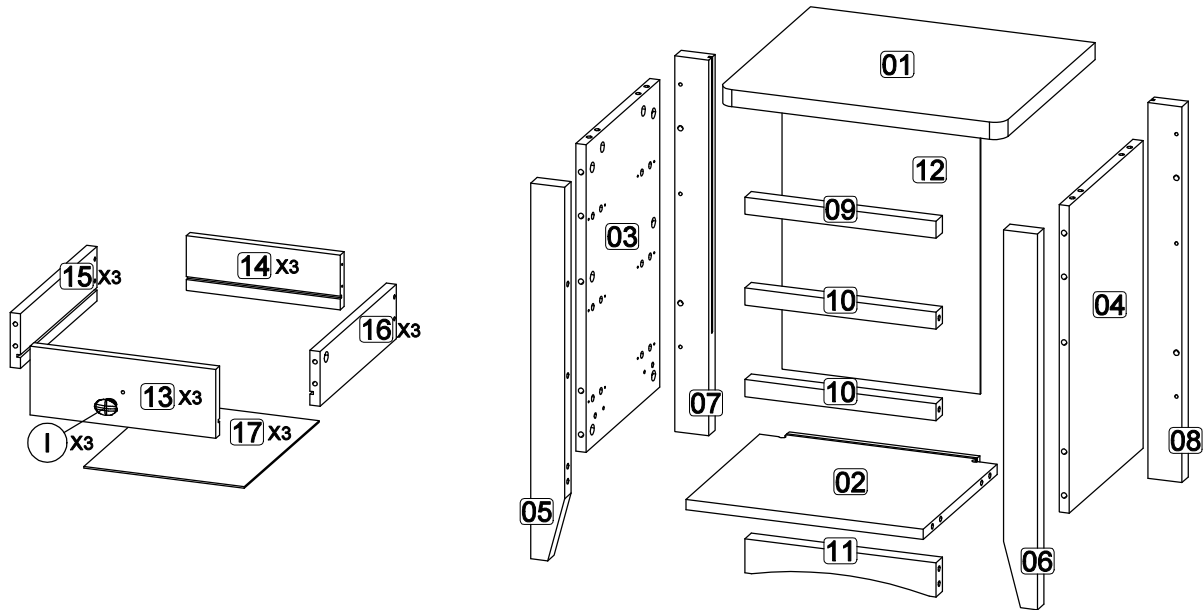
This product or some parts of this product will be heavy. Please use an assistant when lifting.



Never drag or push the pieces across a hard or stone floor as this will cause damage to the joints. Use a carpet or a rug for extra care.








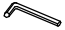



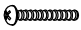

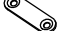



If you have problems assembling or have damaged or missing pieces, please contact our customer services (details at the back of these instructions)



Parts List

Part	Description	Box	Qty
01	Top panel	1	1
02	Bottom panel	1	1
03	Side panel (Left)	1	1
04	Side panel (Right)	1	1
05	Front leg (Left)	1	1
06	Front leg (Right)	1	1
07	Back leg (Left)	1	1
08	Back leg (Right)	1	1
09	Front bar (1)	1	1
10	Front bar (2)	1	2
11	Leg panel	1	1
12	Back panel	1	1
13	Drawer front	1	3
14	Drawer back	1	3
15	Drawer side (Left)	1	3
16	Drawer side (Right)	1	3
17	Drawer bottom	1	3

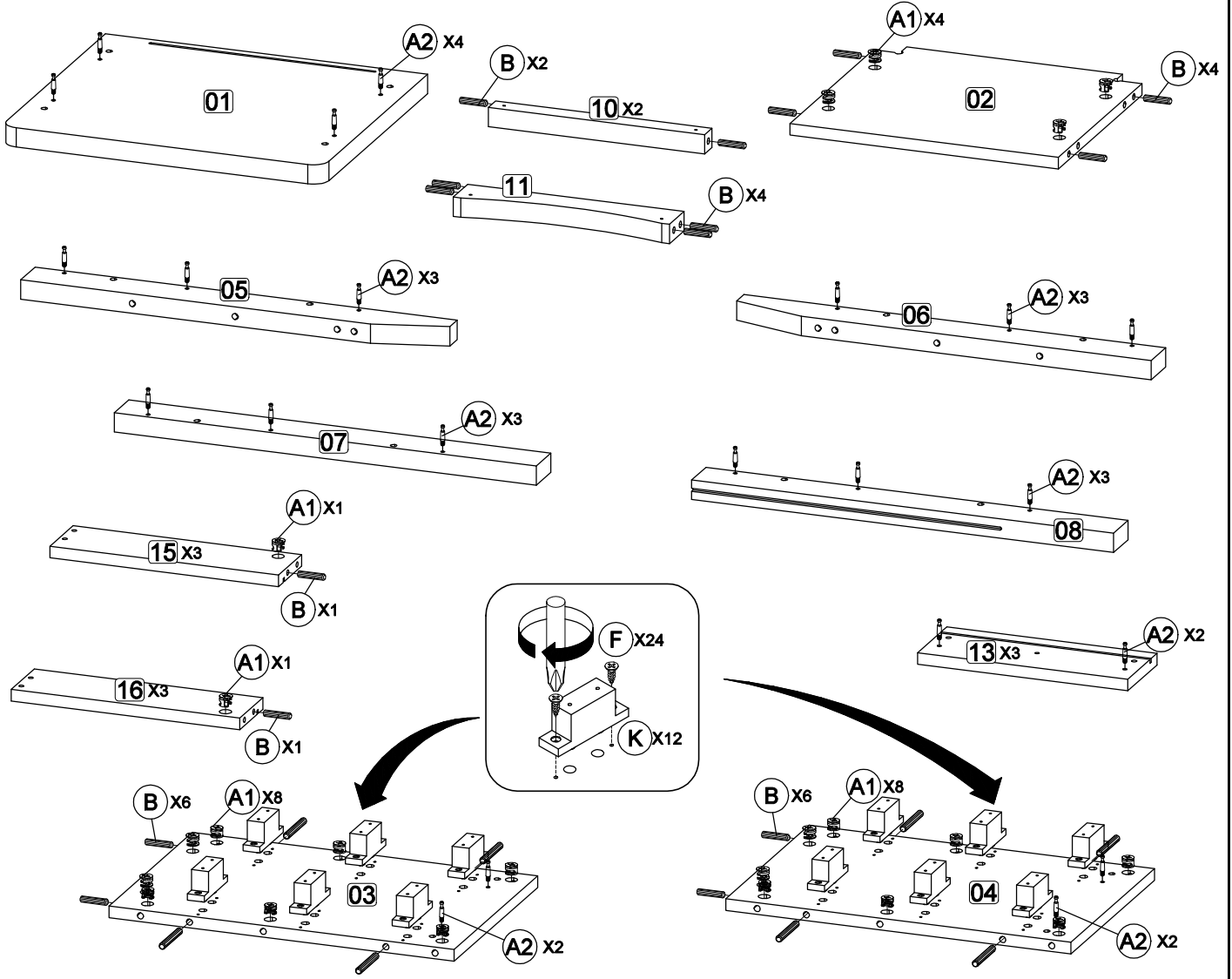
Hardware List (BOX 1)

Part	Description	Qty
A1	Cam lock 	26
A2	Minifix screw 	26
A3	Plastic cap 	26
B	M8 x 30mm Wood Dowel 	30
C	5/8 PVC Nail Leg 	4
D	Allen key M4 	1
E	M3.5 x 16mm C.B Screw 	46
F	M4 x 20mm C.B Screw 	24
G	M4 x 38mm C.B Screw 	12
H	Handle Screw M4 x 22mm 	3
I	Handle Knob 5166028 SS 	3
J	S125 - Double Hole Fitting 	8
K	PVC Block 	12
L1	12" Drawer slide (Left / Right) 	6
L2	12" Drawer slide (Left / Right) 	6

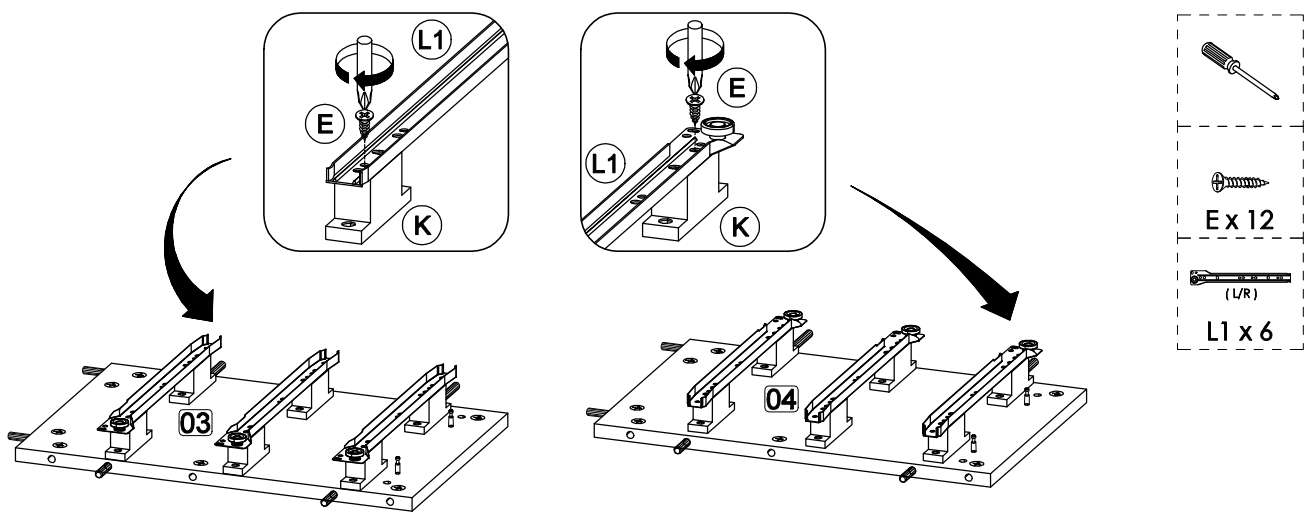
**** You will need a small mallet and a screwdriver for assembly.**

**** Some screws and wooden dowel may remain.**

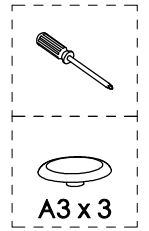
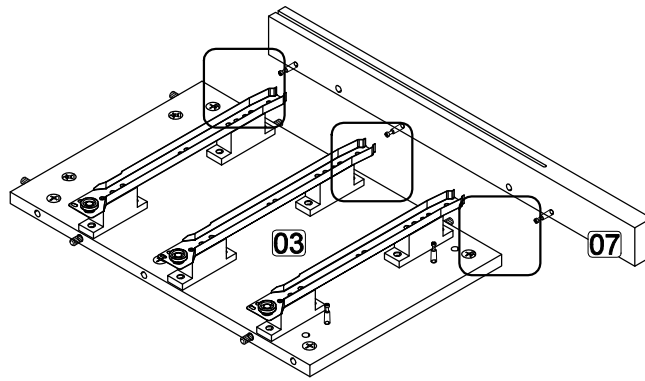
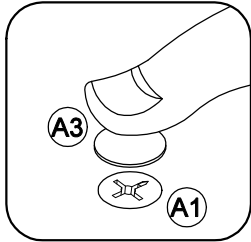
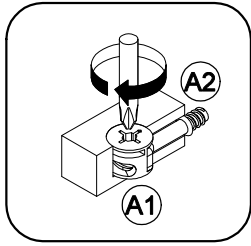
Step 1: Prepare these parts for assembly using hardware parts A1, A2, B, F and K.
DO NOT use any power tools as this may damage the frame and will invalidate any claim.



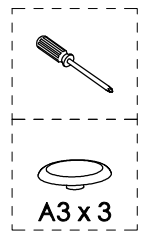
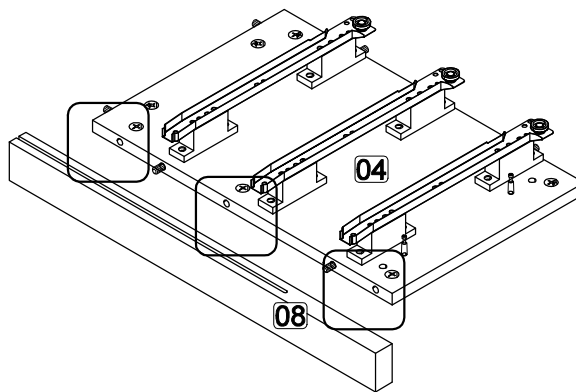
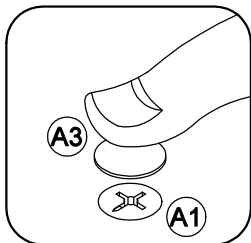
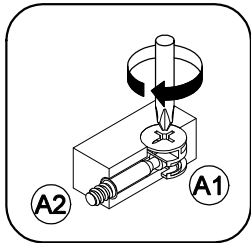
Step 2: Fix hardware L1 onto hardware K by using hardware E.
DO NOT use any power tools as this may damage the frame and will invalidate any claim.



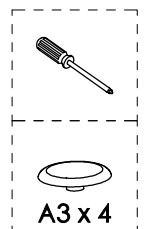
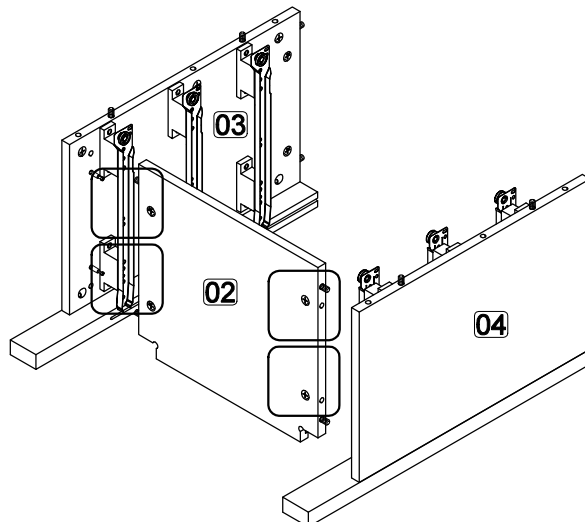
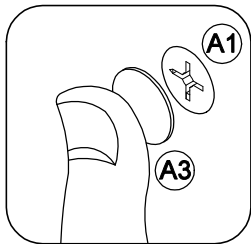
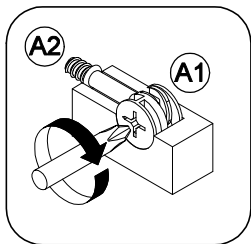
**Step 3: Attach back leg (7) to side panel (3) using hardware A1 and A2 with a screwdriver (not provided).
DO NOT use any power tools as this may damage the frame and will invalidate any claim.**



**Step 4: Attach back leg (8) to side panel (4) using hardware A1 and A2 with a screwdriver (not provided).
DO NOT use any power tools as this may damage the frame and will invalidate any claim.**

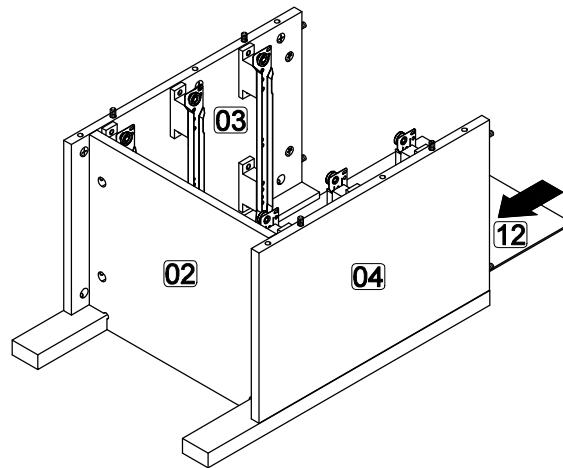


**Step 5: Attach side panel (3) and (4) to bottom panel (2) using hardware A1 and A2 with a screwdriver (not provided).
DO NOT use any power tools as this may damage the frame and will invalidate any claim.**



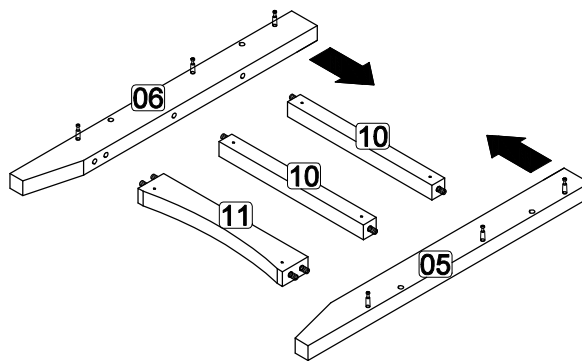
Step 6: Insert back panel (12) along the slot.

DO NOT use any power tools as this may damage the frame and will invalidate any claim.



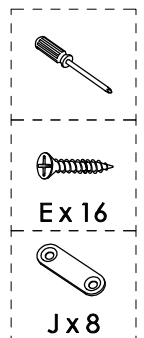
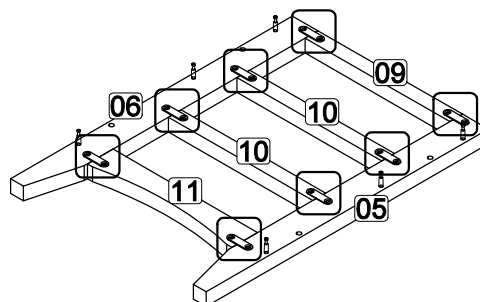
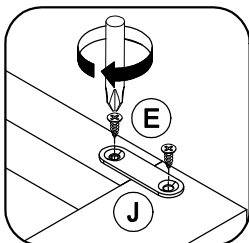
Step 7: Attach front leg (5) and (6) to front bar (10) and leg panel (11).

DO NOT use any power tools as this may damage the frame and will invalidate any claim.



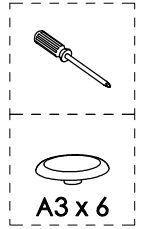
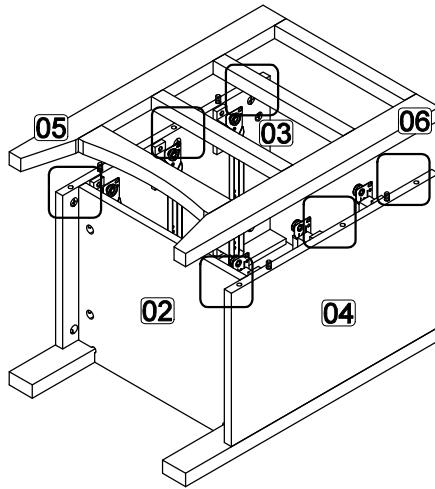
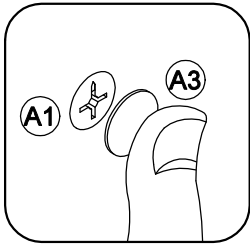
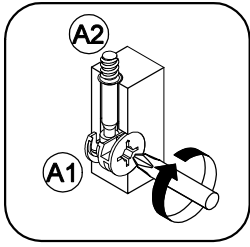
Step 8: Fix hardware J into front leg (5), (6), front bar (9), (10) and leg panel (11) using hardware E with a screwdriver (not provided).

DO NOT use any power tools as this may damage the frame and will invalidate any claim.



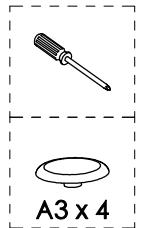
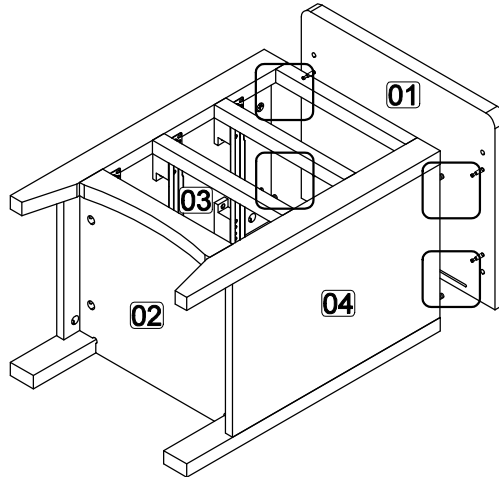
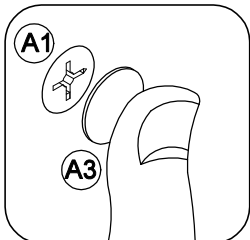
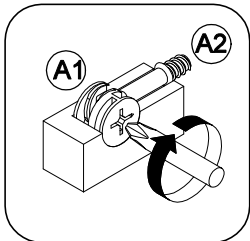
Step 9: Attach front leg (5) and (6) to side panel (3) and (4) using hardware A1 and A2 with a screwdriver (not provided).

DO NOT use any power tools as this may damage the frame and will invalidate any claim.



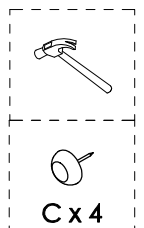
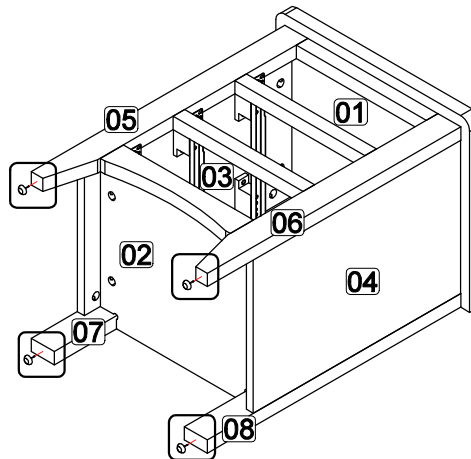
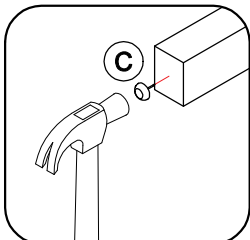
Step 10: Attach top panel (1) to side panel (3) and (4) using hardware A1 and A2 with a screwdriver (not provided).

DO NOT use any power tools as this may damage the frame and will invalidate any claim.



Step 11: Hit hardware C into bottom of front leg (5), (6), back leg (7) and (8).

DO NOT use any power tools as this may damage the frame and will invalidate any claim.

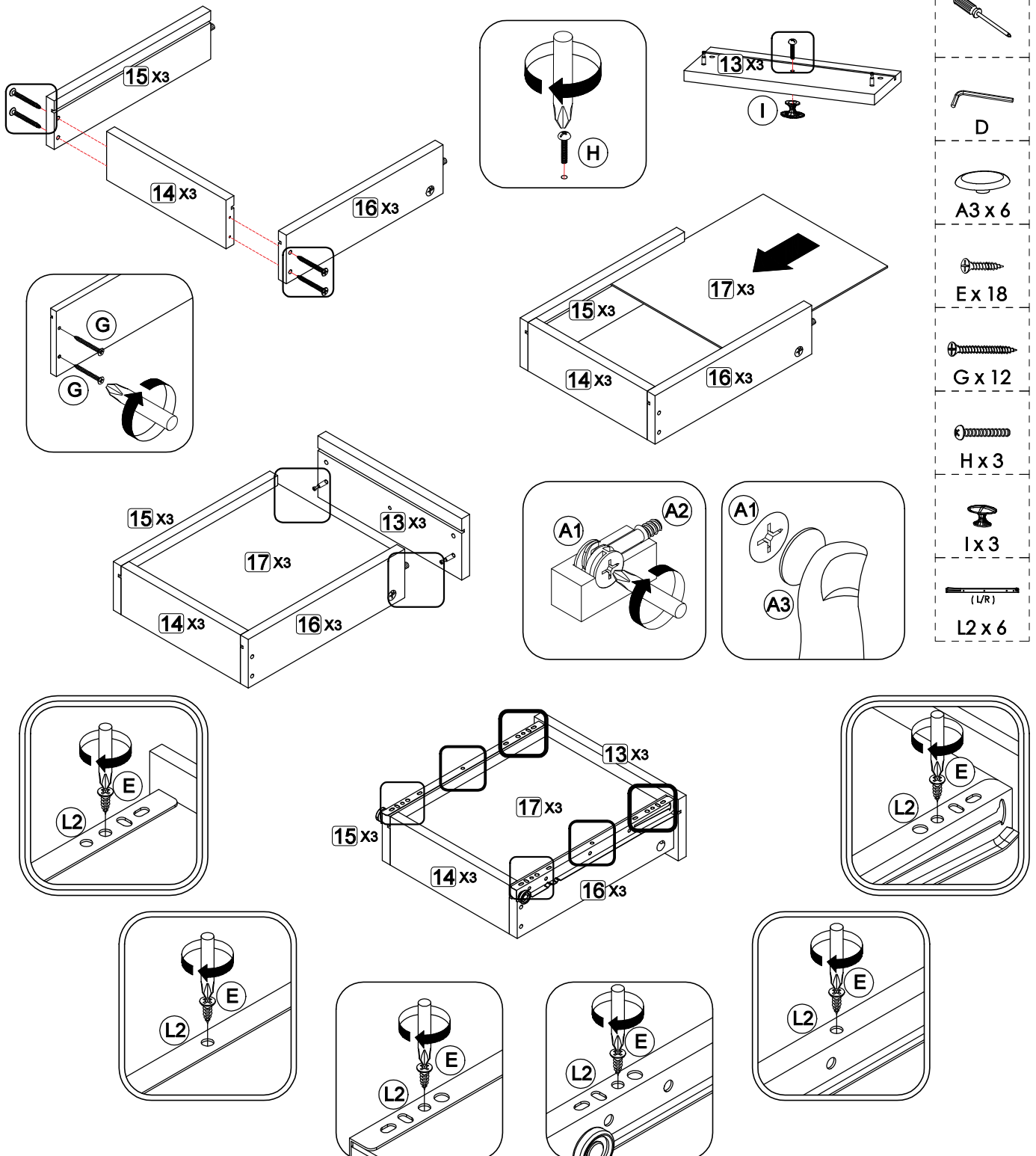


Step 12: Assemble the drawer components using hardware A3, D, E, G, H, I and L2.

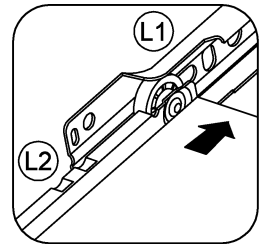
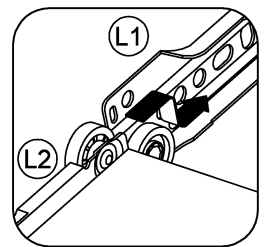
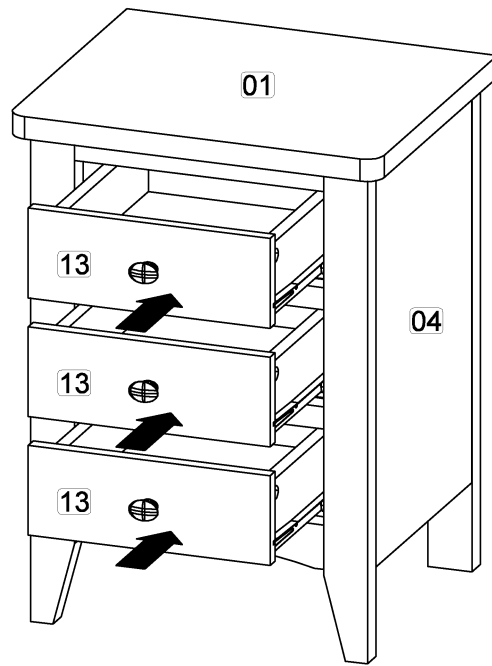
In this step only show one of the drawers.

DO NOT use any power tools as this may damage the frame and will invalidate any claim.

1. Fix hardware I onto panel (13) by using hardware H.
2. Attach drawer side (15) and (16) to drawer back (14) using hardware (G).
3. Slide in the drawer bottom (17).
4. Attach drawer front (13) to drawer side (15) and (16) using hardware A1 and A2 with a screwdriver (not provided).
5. Attach hardware (L2) to drawer sides (15) and (16) using hardware (E).



Step 13: Assemble the drawers in place along the drawer slides.
DO NOT use any power tools as this may damage the frame and will invalidate any claim.



Please dispose of all packaging safely.

General Care & Maintenance

Wipe clean with a slightly damp cloth.
Avoid the use of all household cleaners and abrasives.

Periodically check all screw & fixings to ensure they are secure.

When moving your product, carefully lift into place. Never drag or push the product across the floor as this will cause damage to the joints. If the product is used on hard flooring, such as wood or laminated floor, you must place some protection under the legs to stop the product from moving. If this is not adhered to, it could result in failure to the product that will invalidate the warranty.

For more information on cleaning and product care visit:
<https://www.happybeds.co.uk/help-and-advice>

Notes

In the unlikely event that you have problems putting this product together or have damaged or missing parts, please contact us by visiting:
<https://www.happybeds.co.uk/customer-service>